

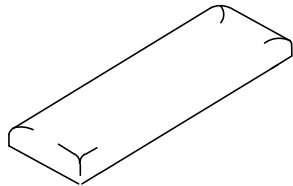
ASSEMBLY INSTRUCTIONS

DIMENSIONS 50.4"W x 18.7"D x 19.5"H

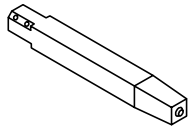
DO NOT FULLY TIGHTEN BOLTS UNTIL THE ENTIRE ITEM IS COMPLETELY ASSEMBLED

PART LIST

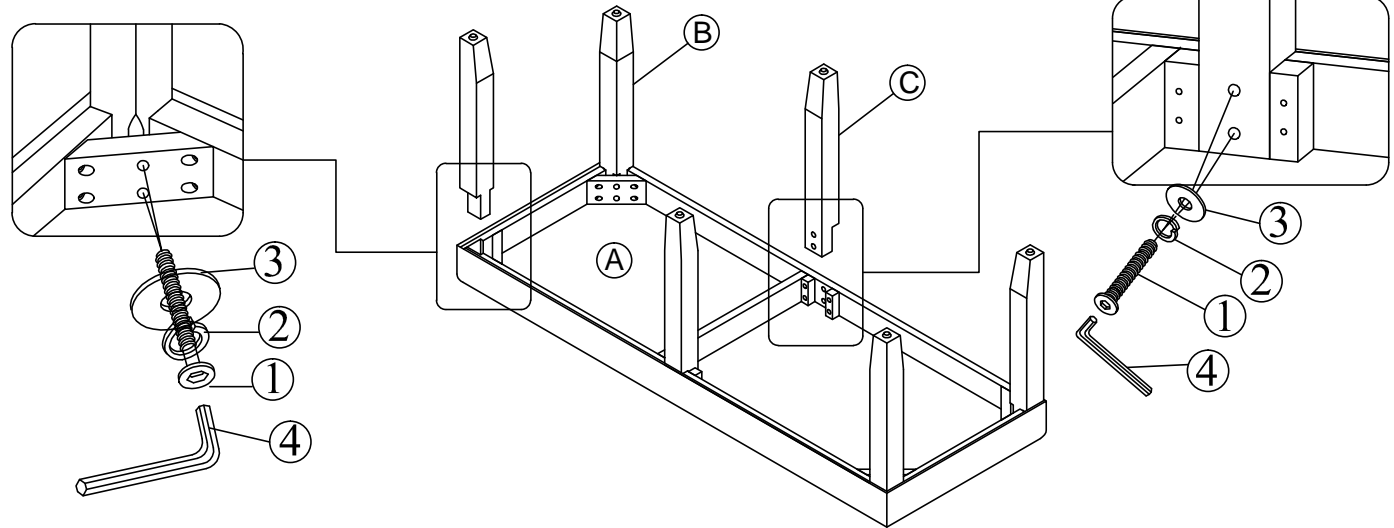
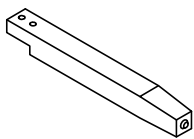
(A) Seat Assembly (1pc)



(B) Side Legs (4 pcs)



(C) Center Legs (2 pcs)



HARDWARE LIST

Bolt



(1) Ø1/4"x45mm
(12 pcs)

Spring Washer



(2) Ø5/16"x13mm
(12 pcs)

Flat Washer

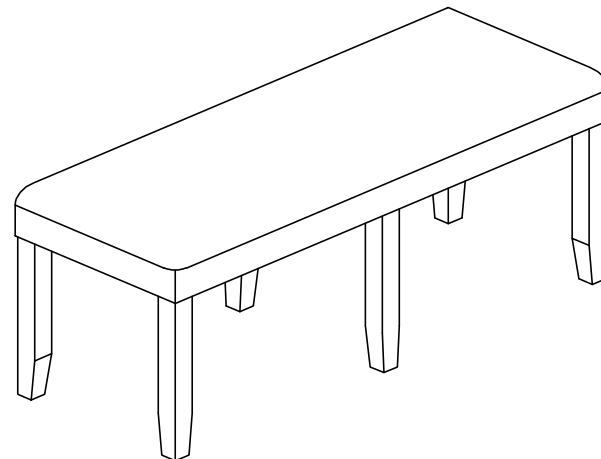


(3) Ø5/16"x19mm
(12 pcs)

Allen key



(4) 4mm (1 pc)



NOTE: IT WILL REQUIRE TWO PEOPLE TO TURN ASSEMBLED UNIT UPRIGHT.

Complete