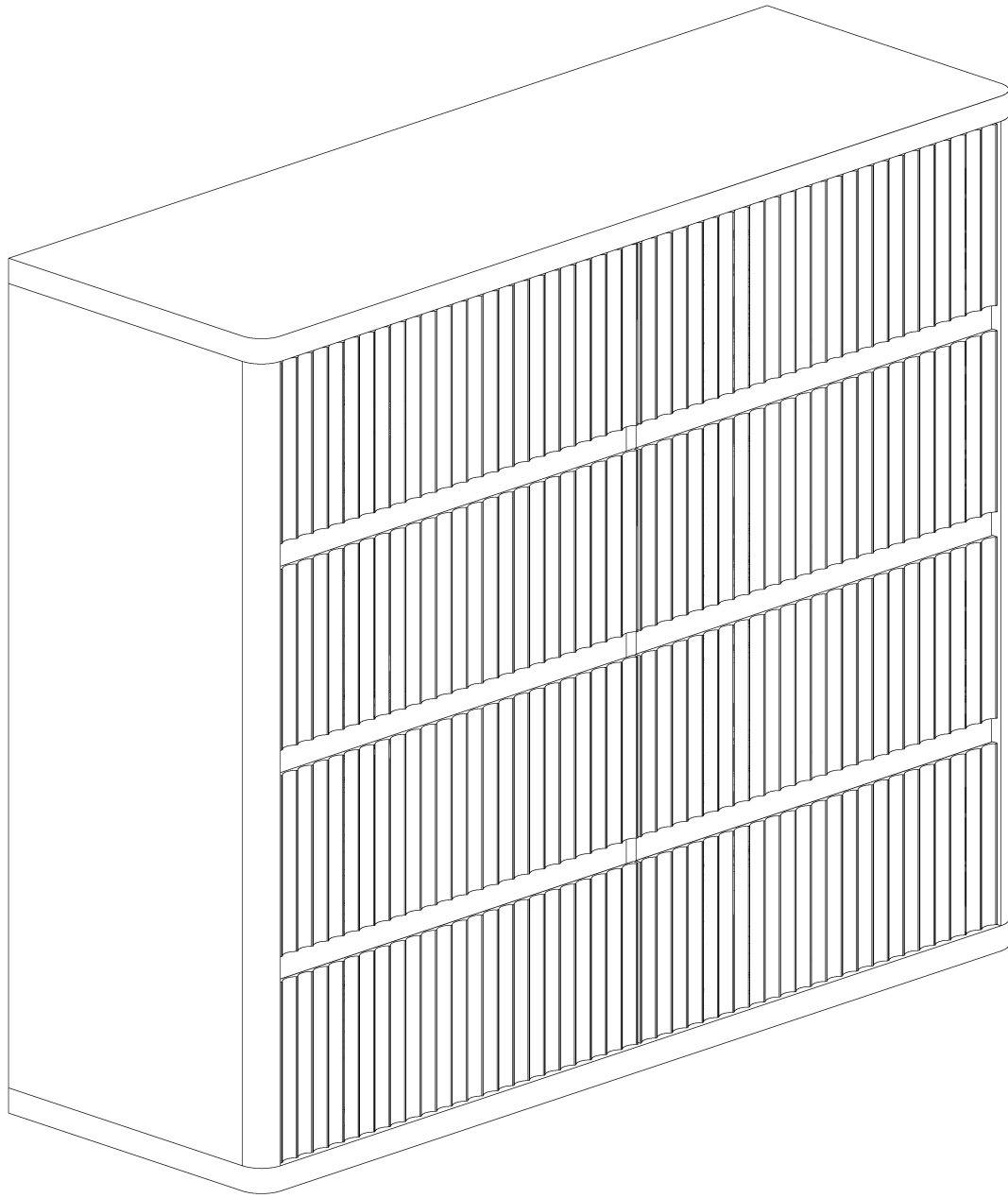
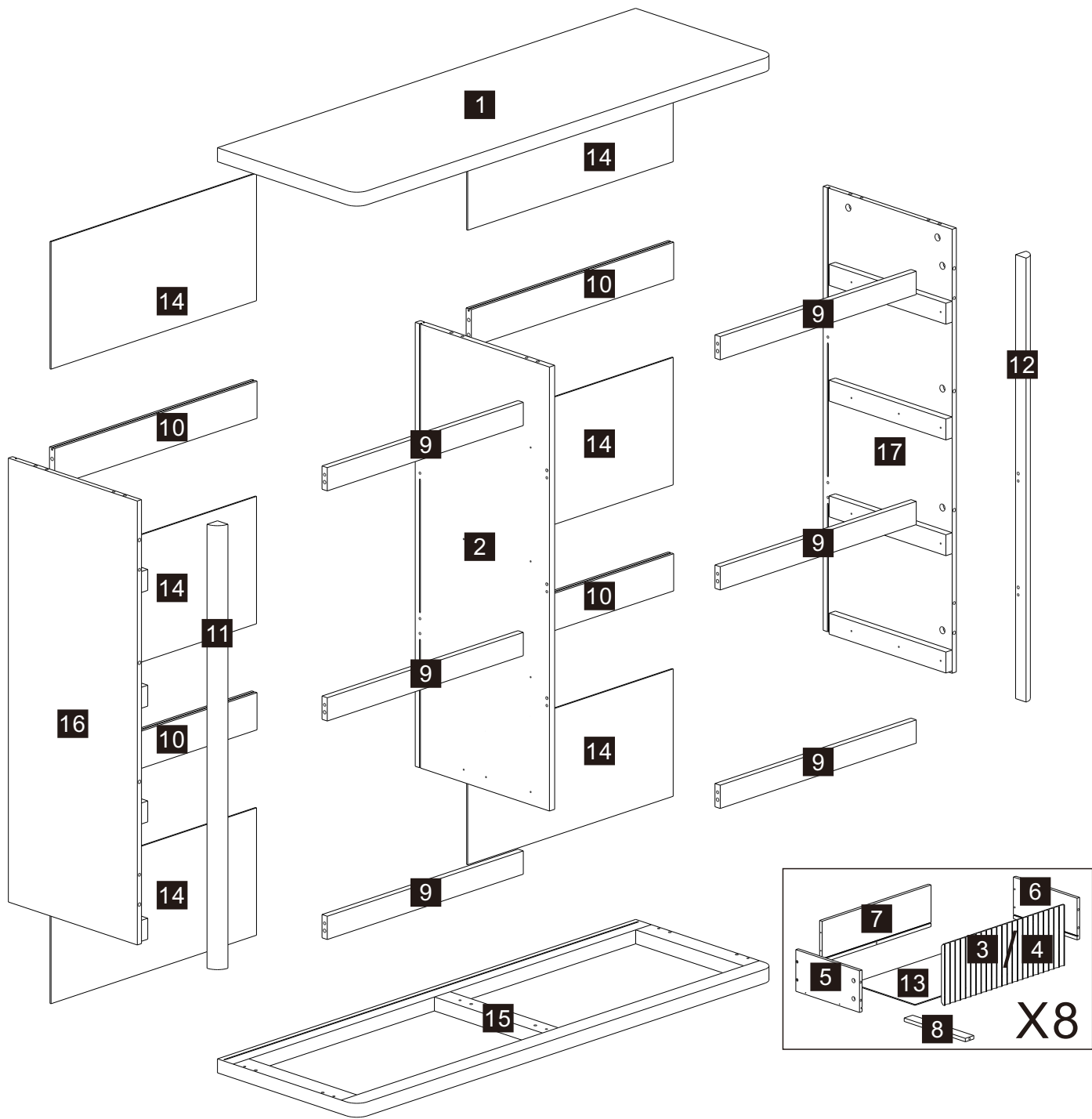


# Installation & Assembly

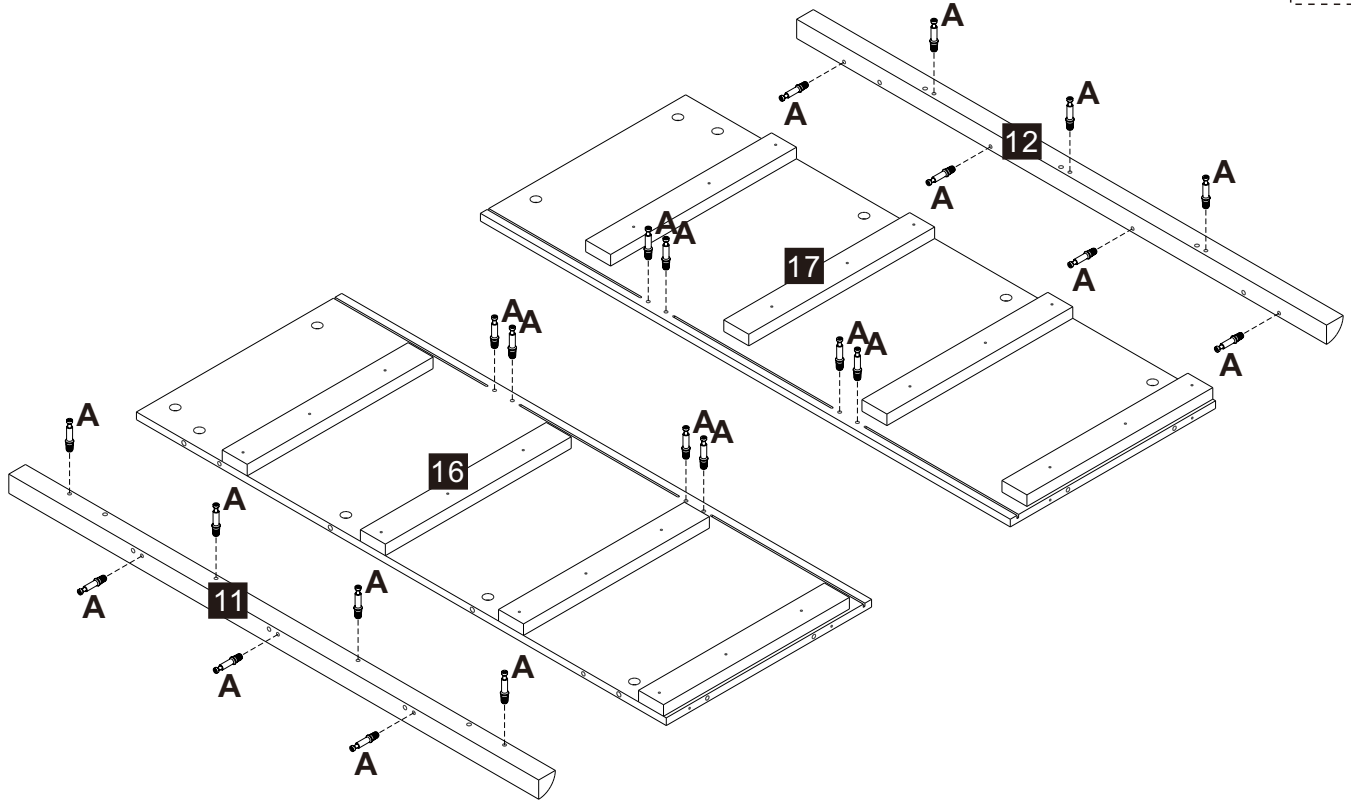




<b>A</b> x82	<b>B</b> x82	<b>C</b> x28	<b>D</b> x80	<b>E</b> x40	<b>F</b> x 8	<b>G</b> x 8
			3x12mm	4x30mm	4x35mm	
<b>G</b> x 8	<b>H</b> x16	<b>I</b> x16	<b>J</b> x 2	<b>K</b> x 2	<b>L</b> x 4	<b>M</b> x 2
		3x14mm		4x12mm		

1

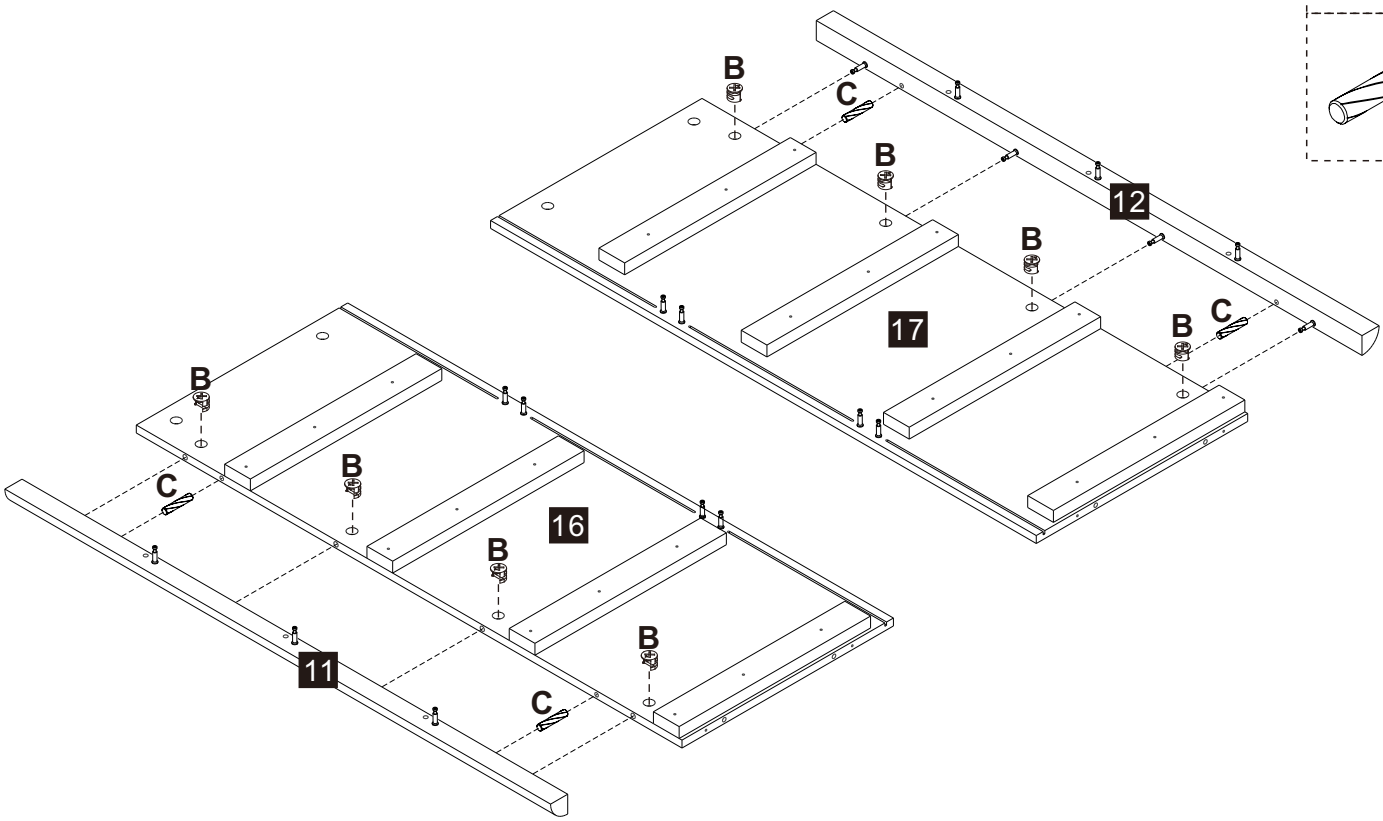
A x22



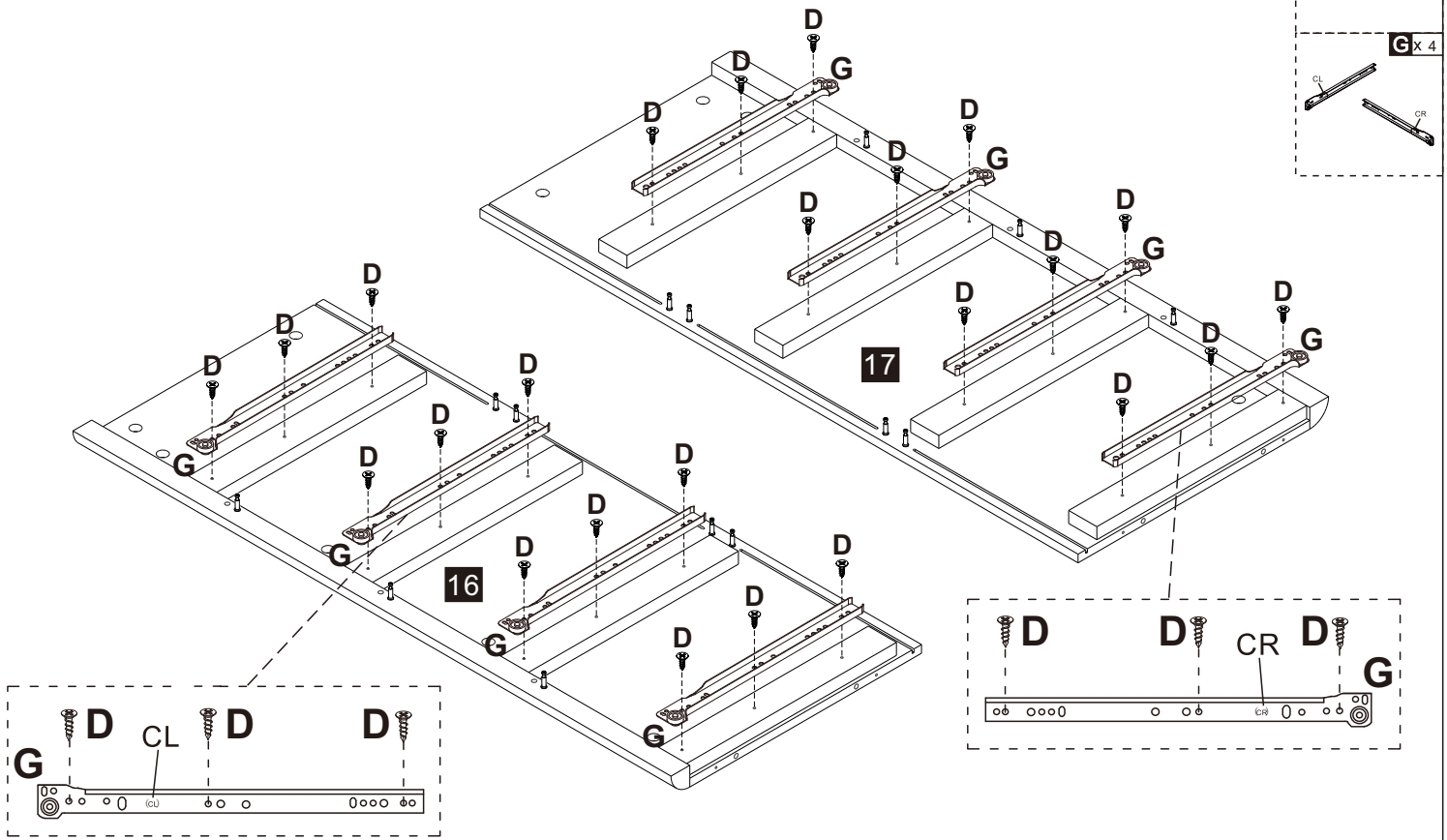
2

B x 8

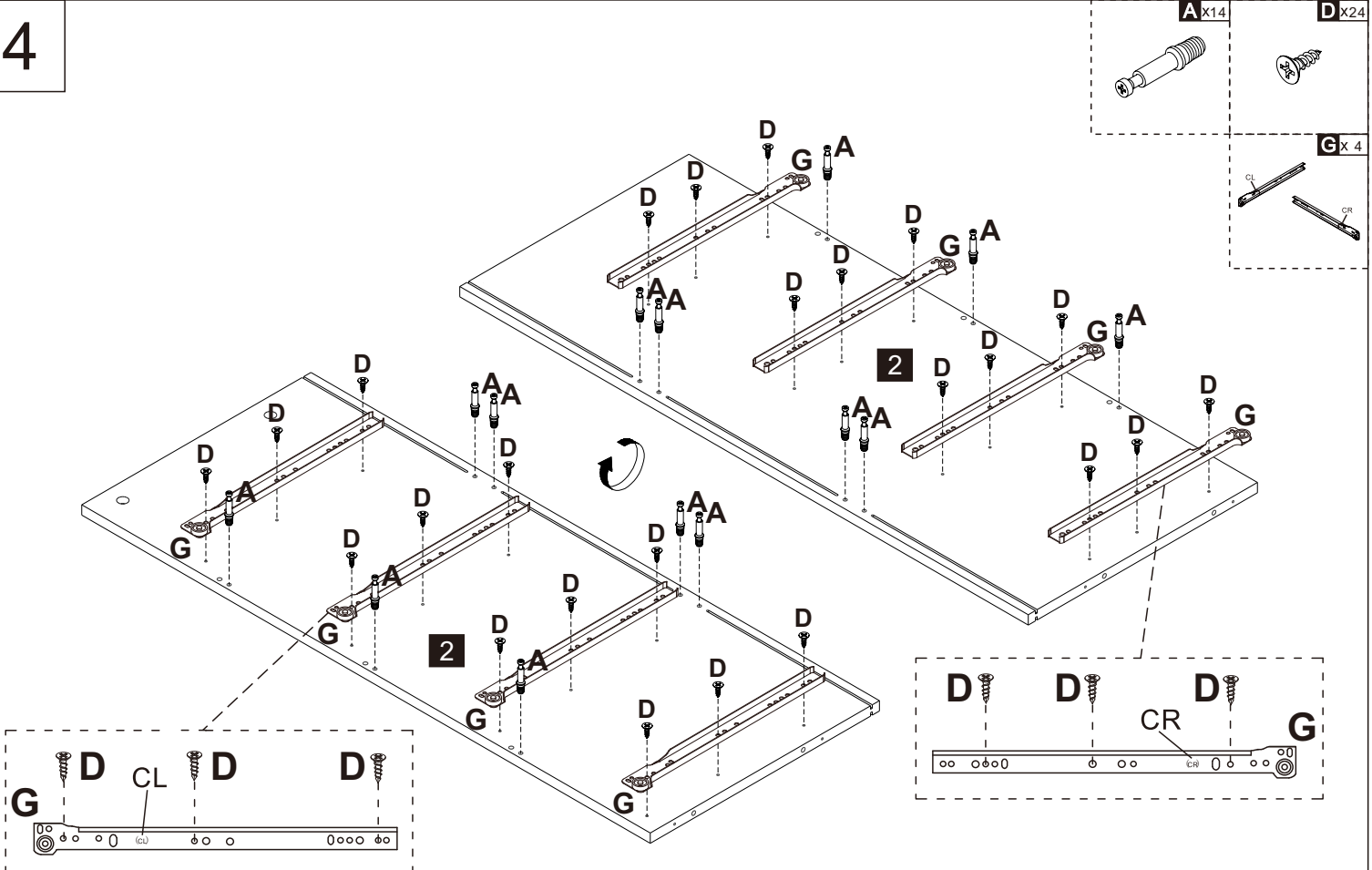
C x 4



3

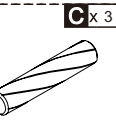
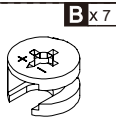
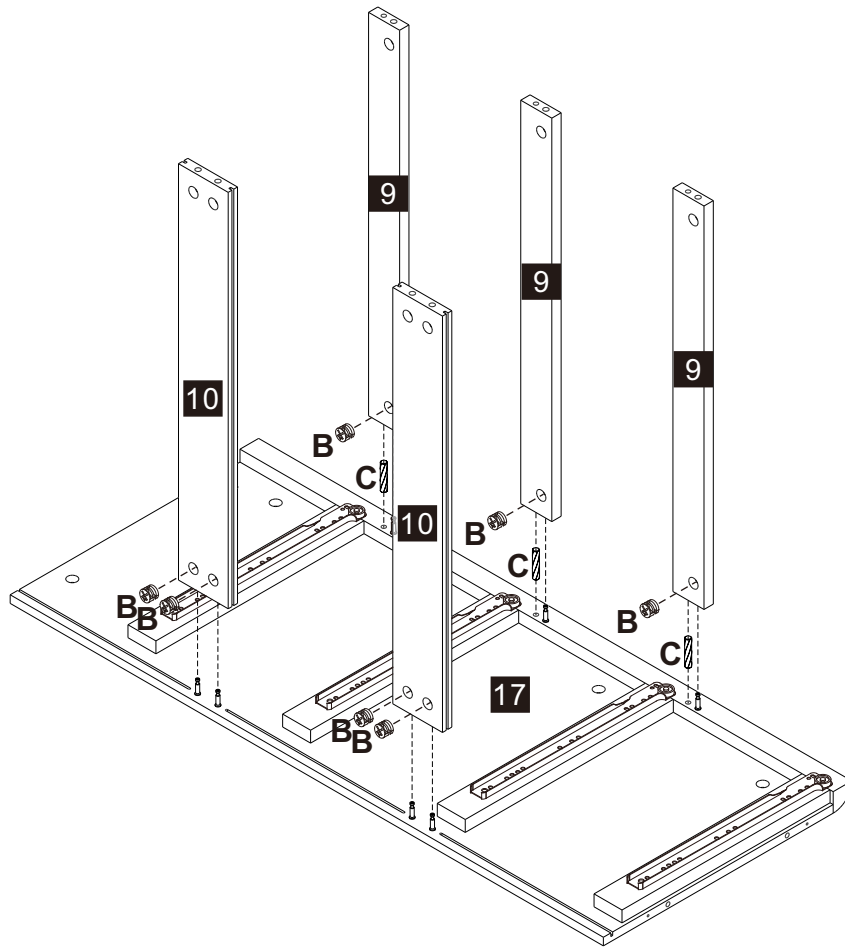


4

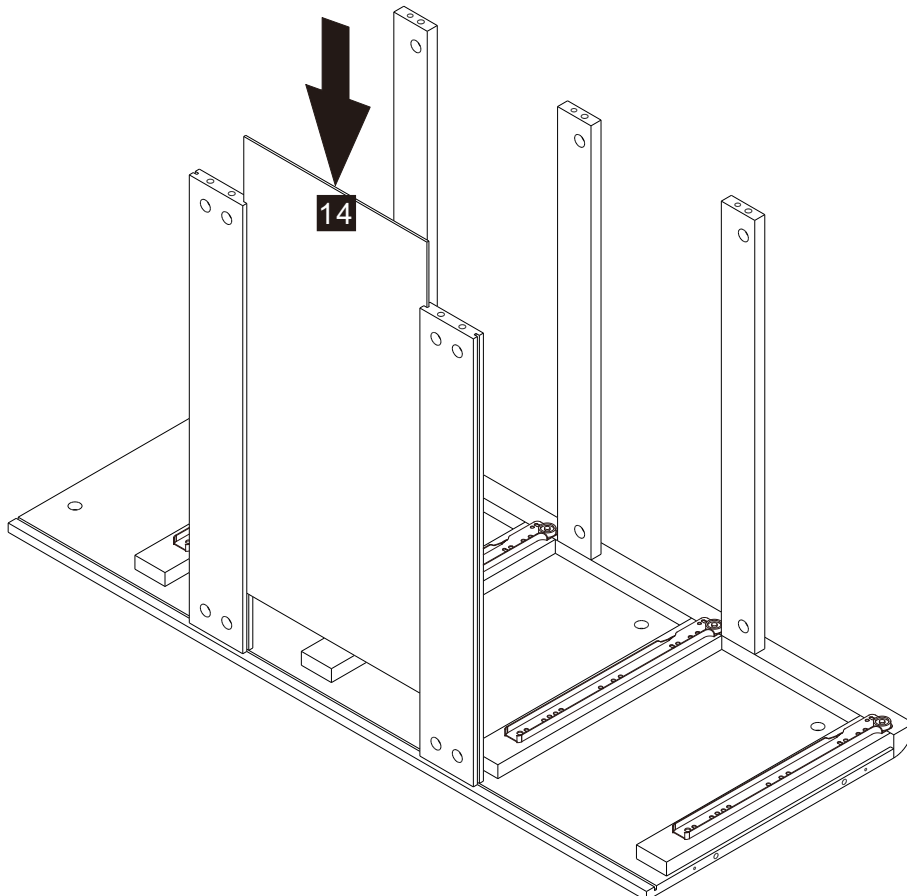


Please flip it over. The tracks need to be installed on both sides.

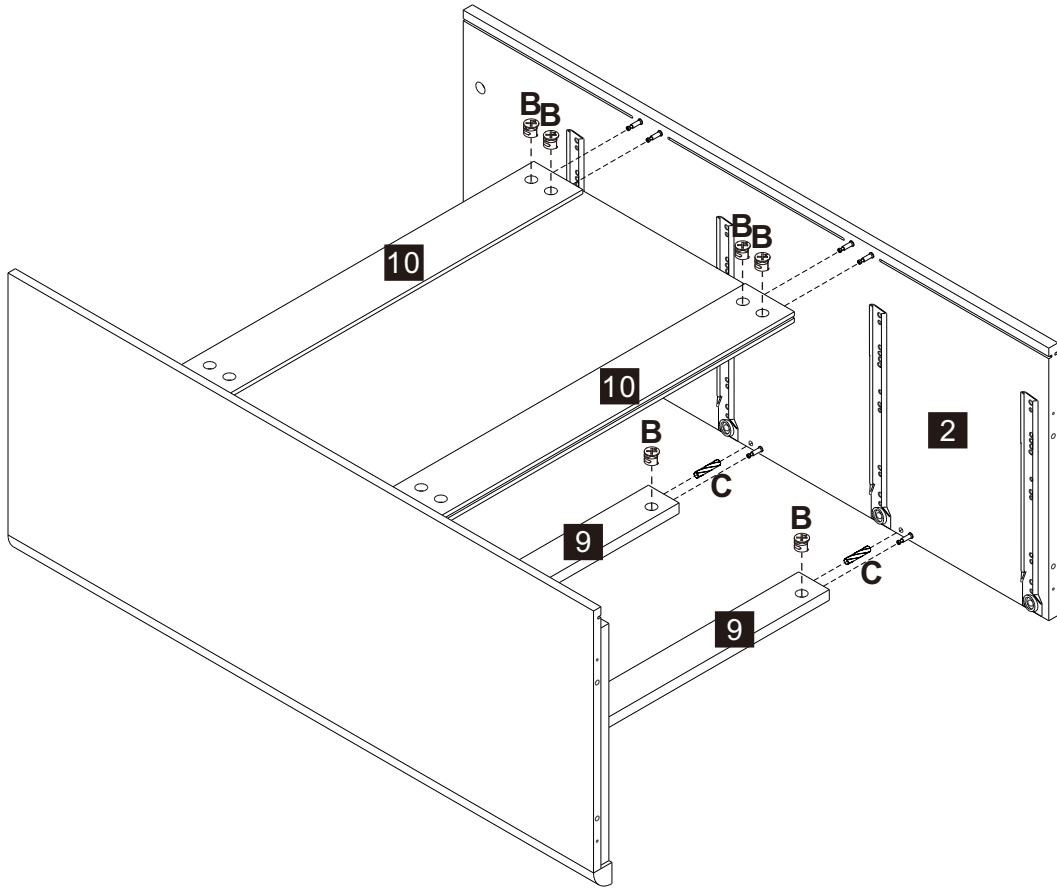
5



6



7



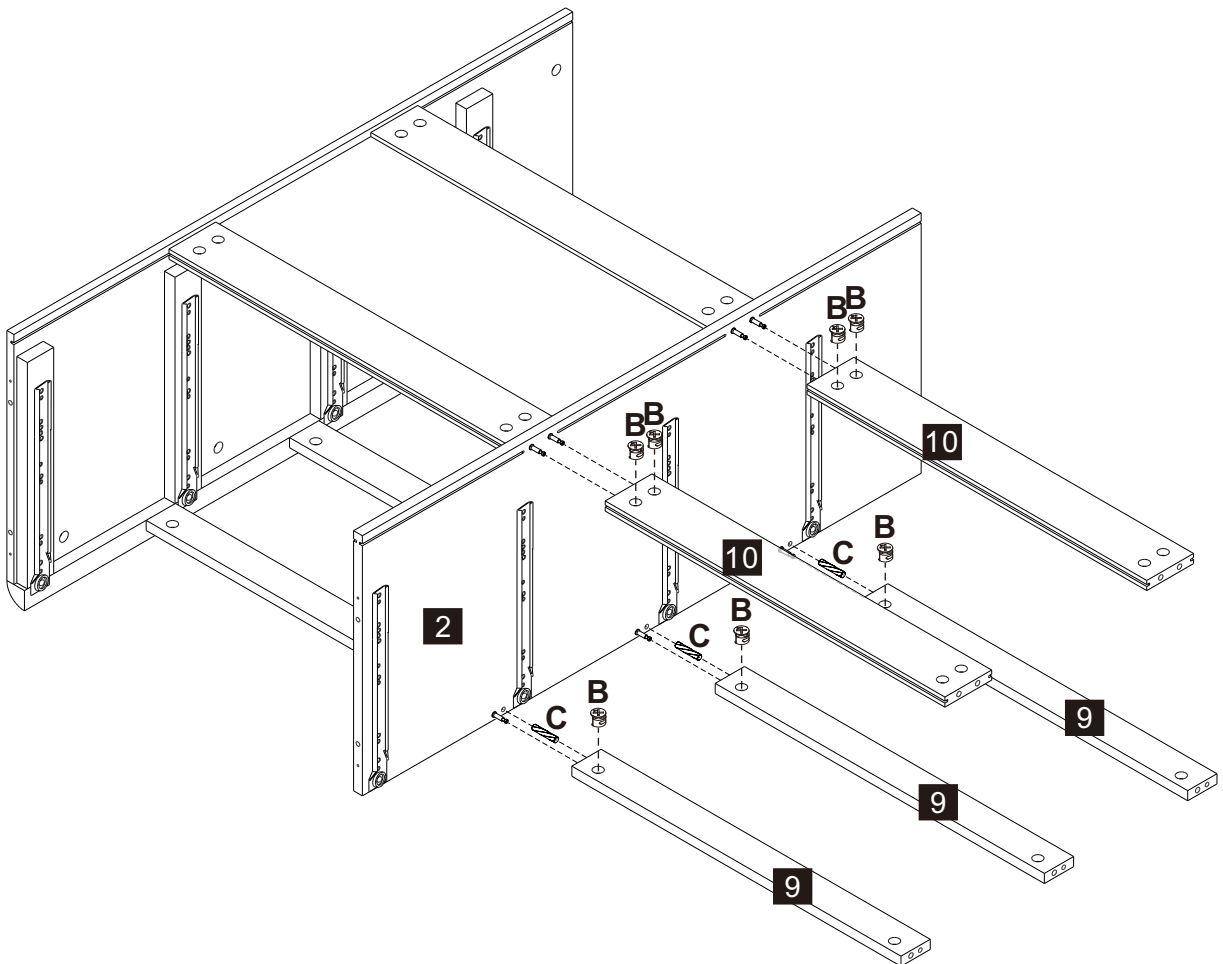
B x 7



C x 3



8



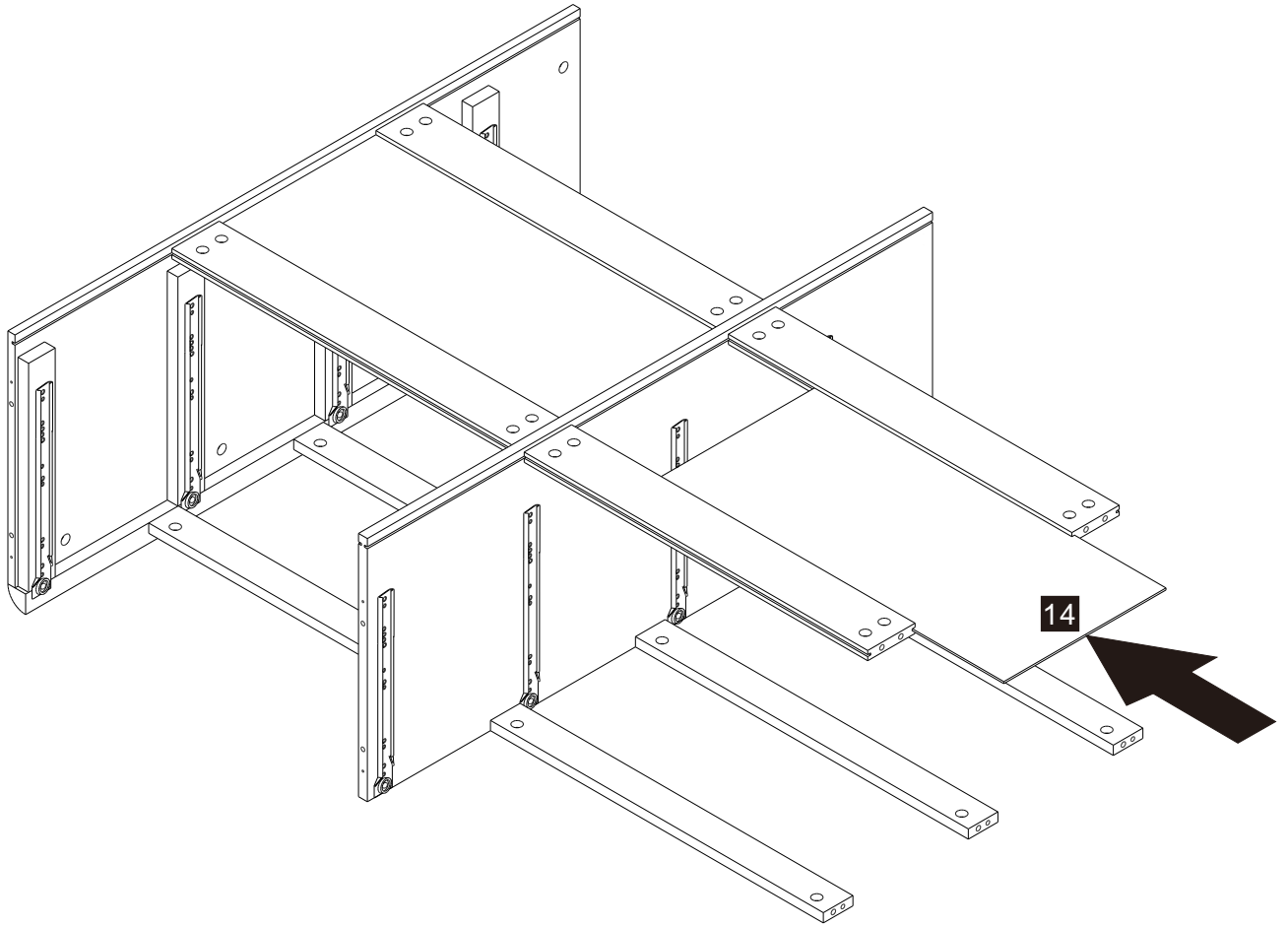
B x 7



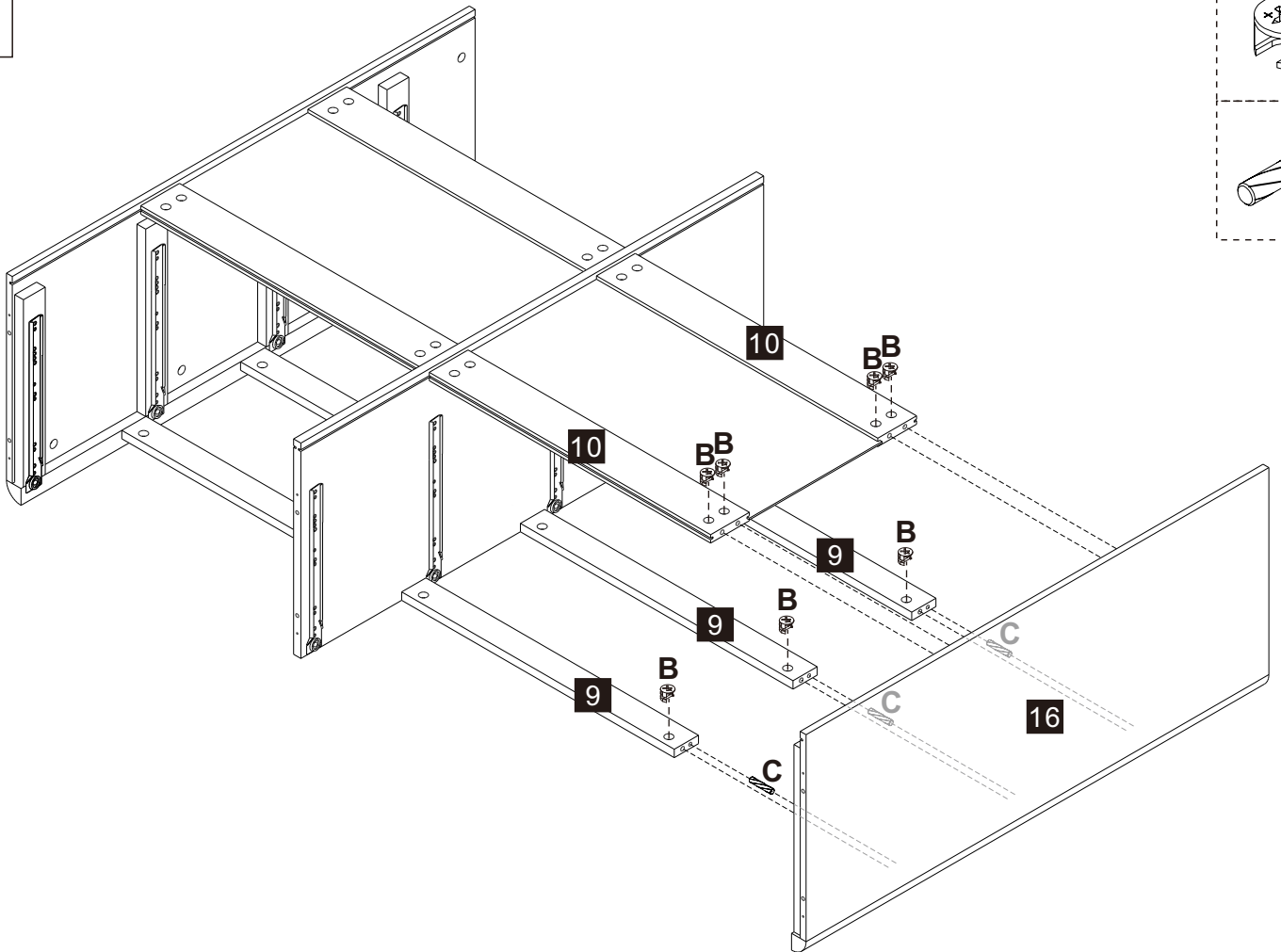
C x 3



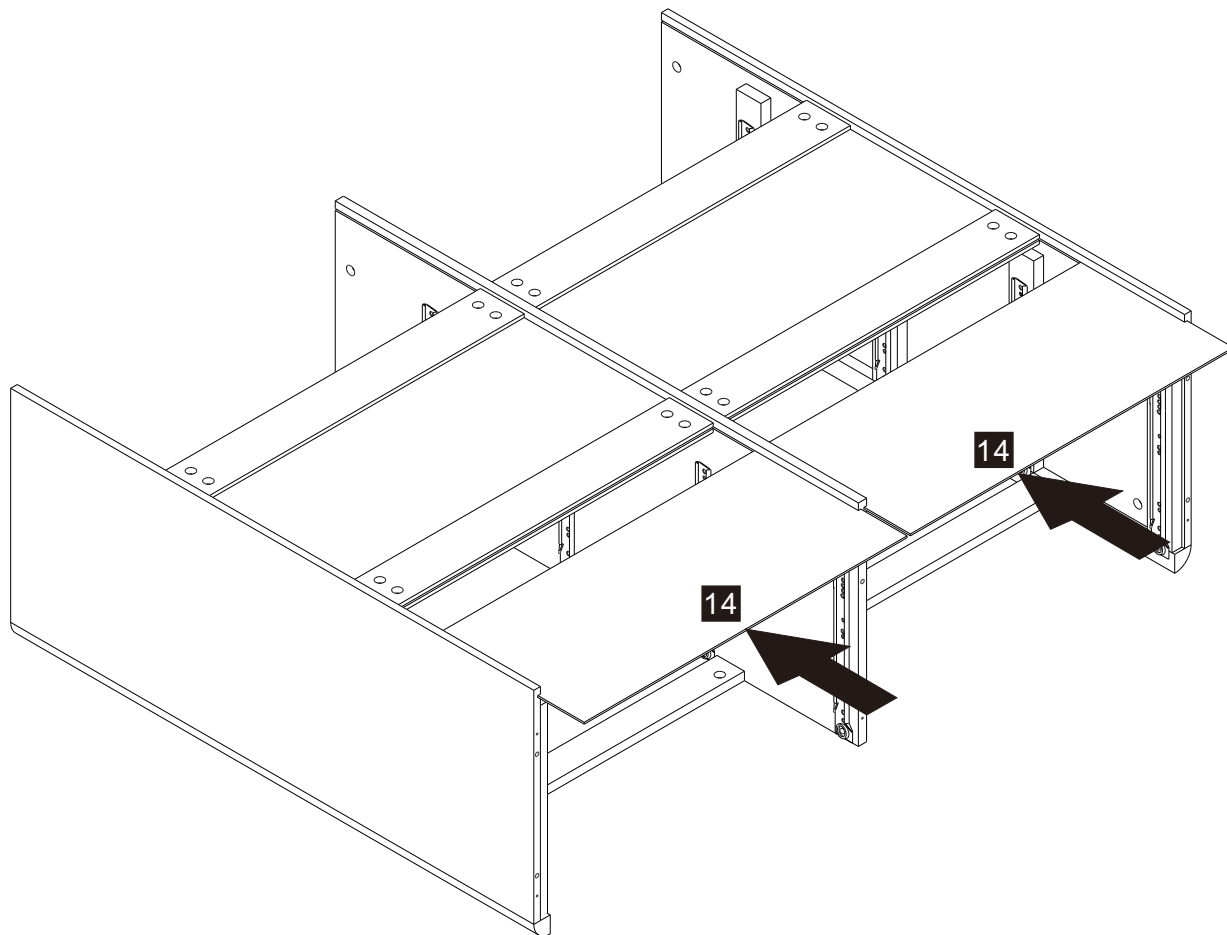
9



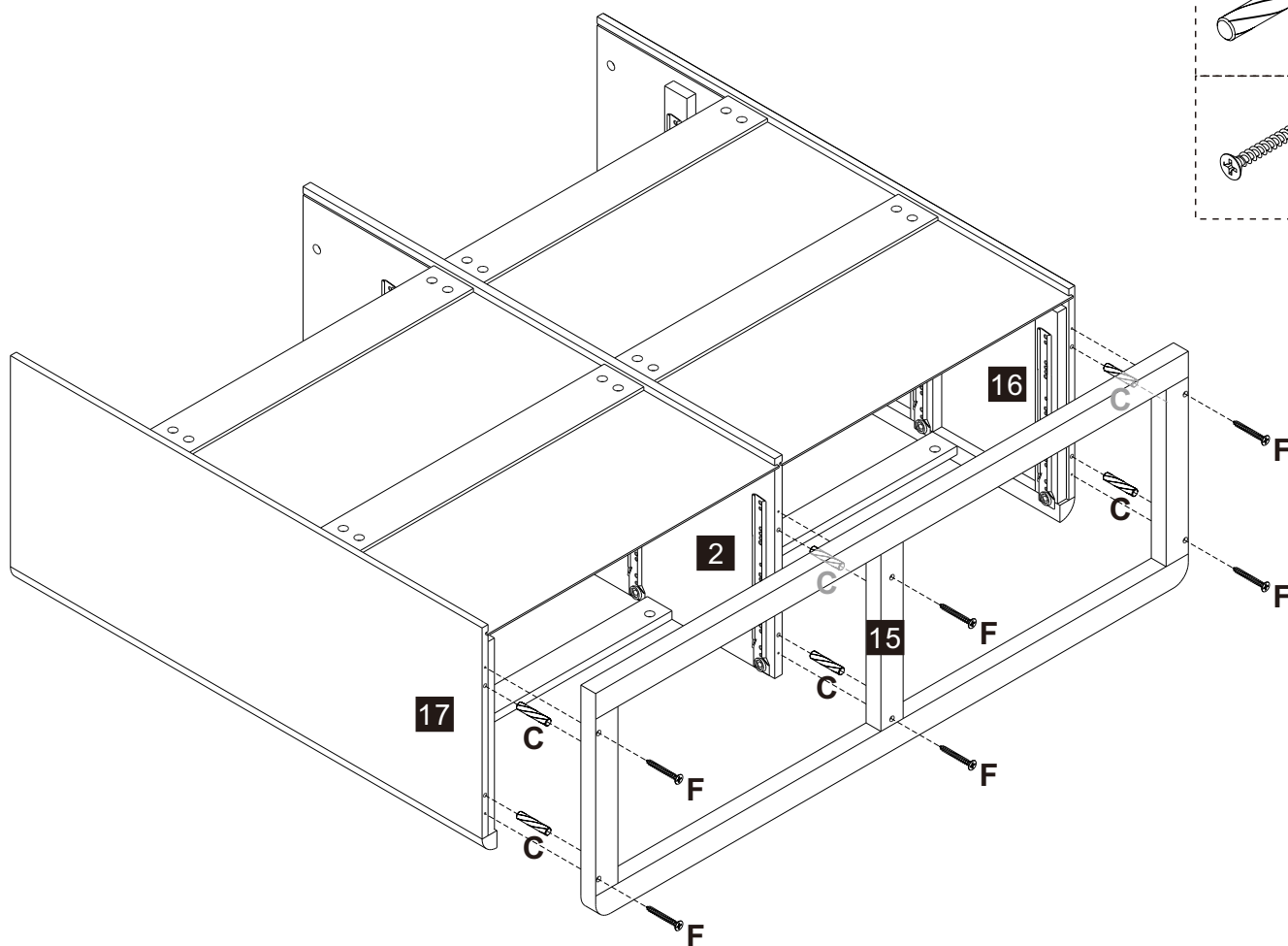
10



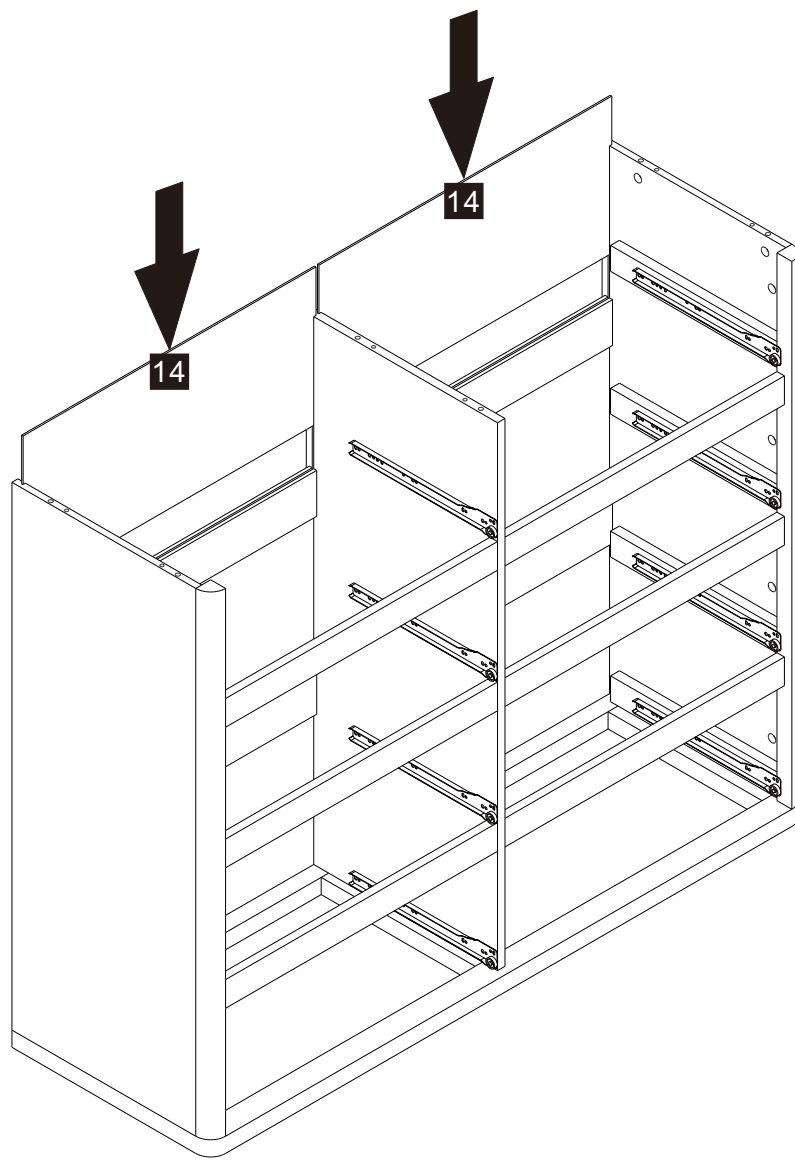
11



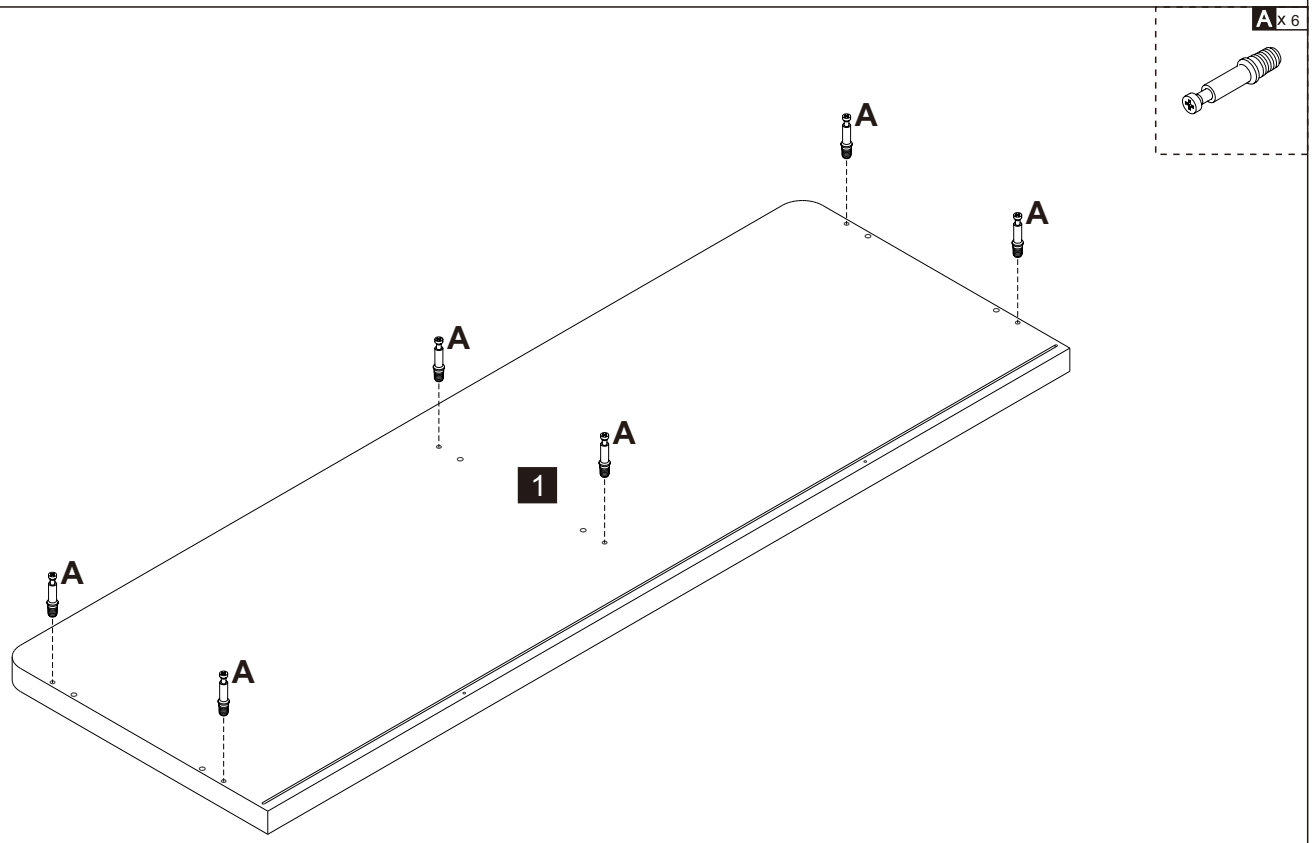
12



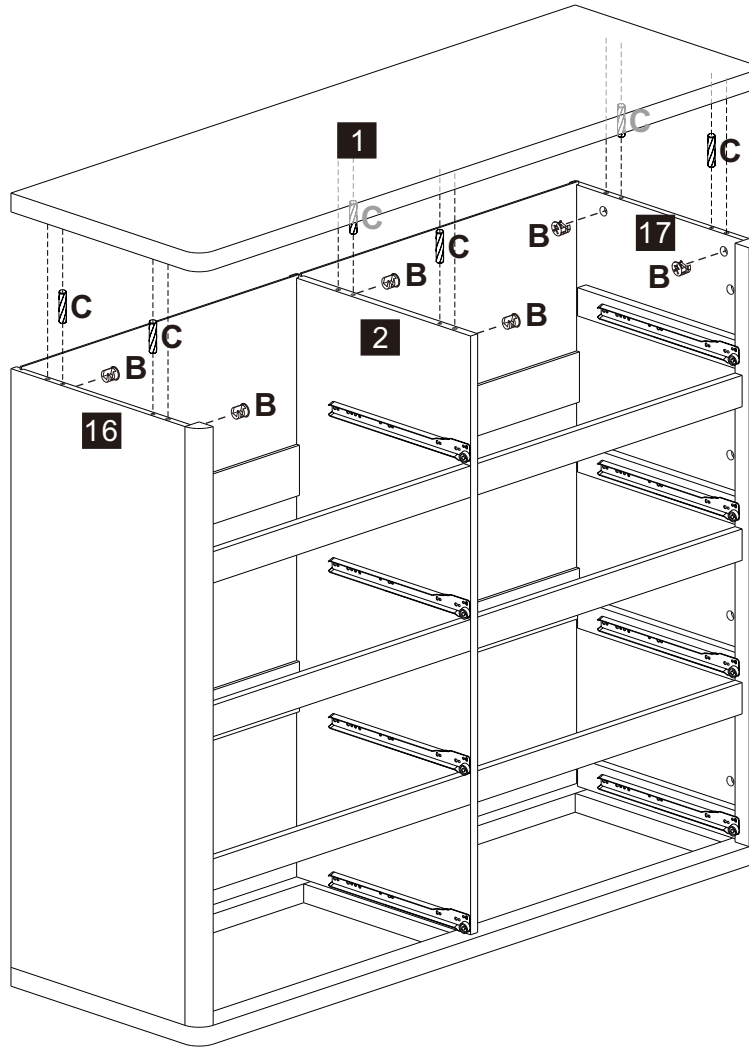
13



14



15



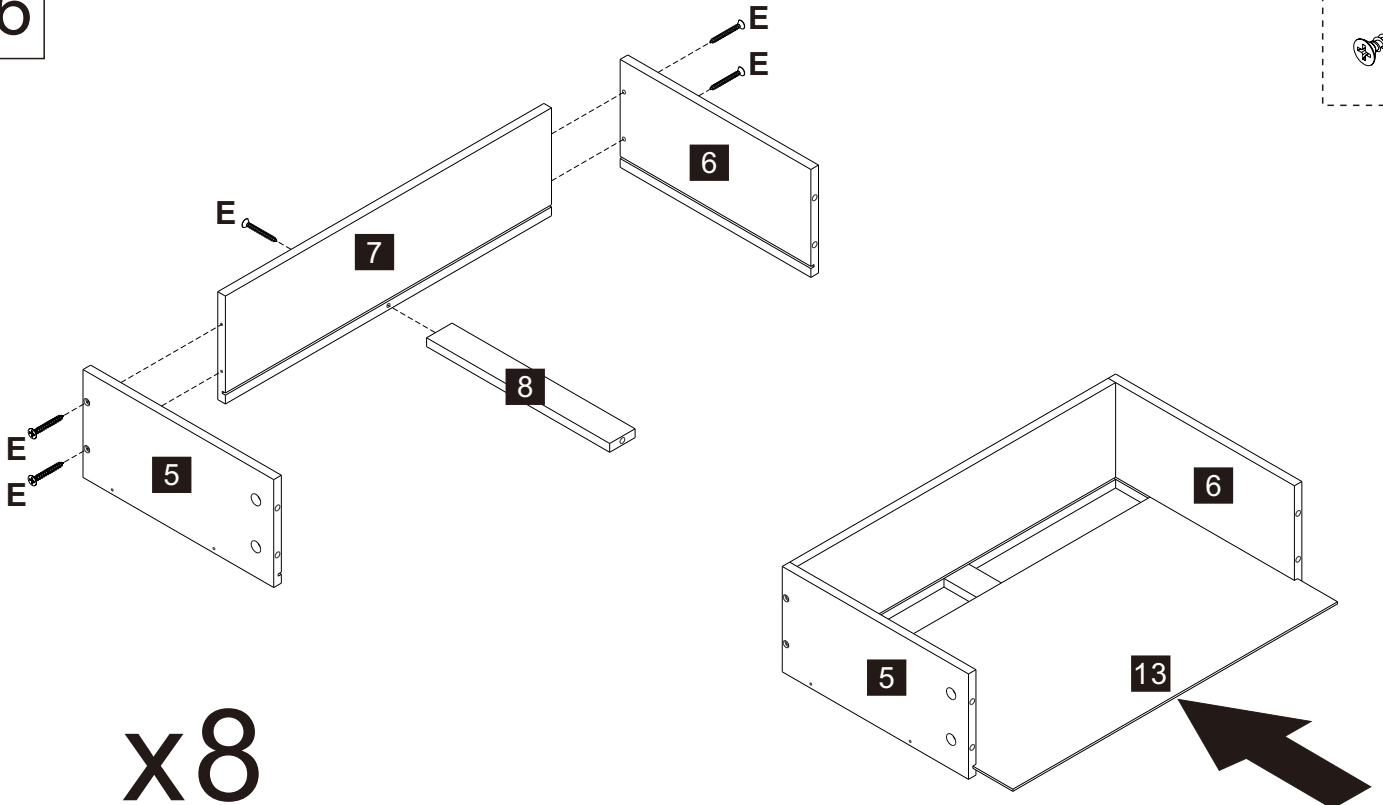
B x 6



C x 6



16

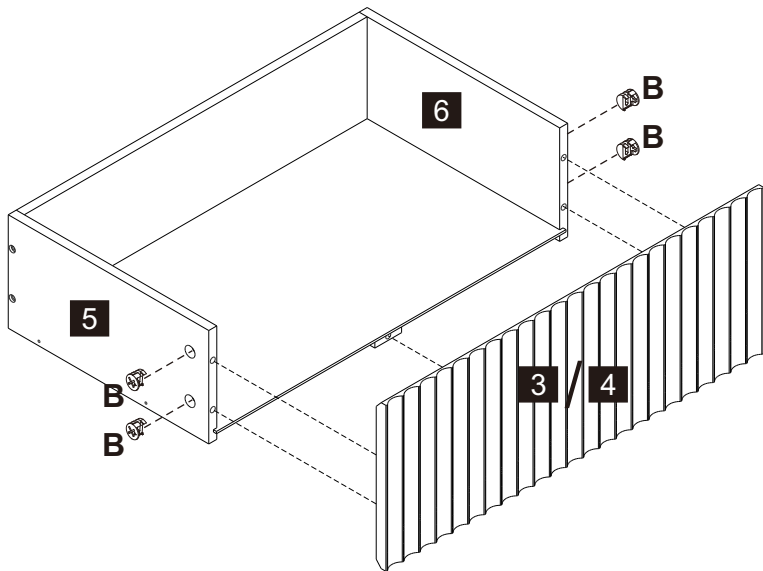
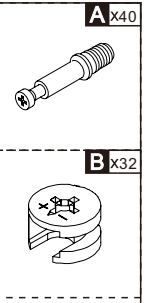
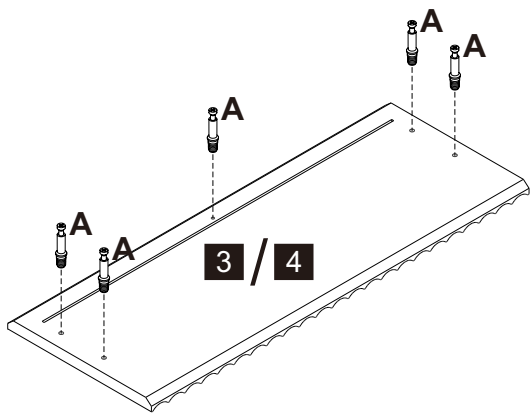


E x 40



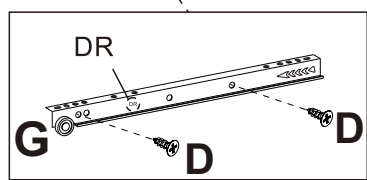
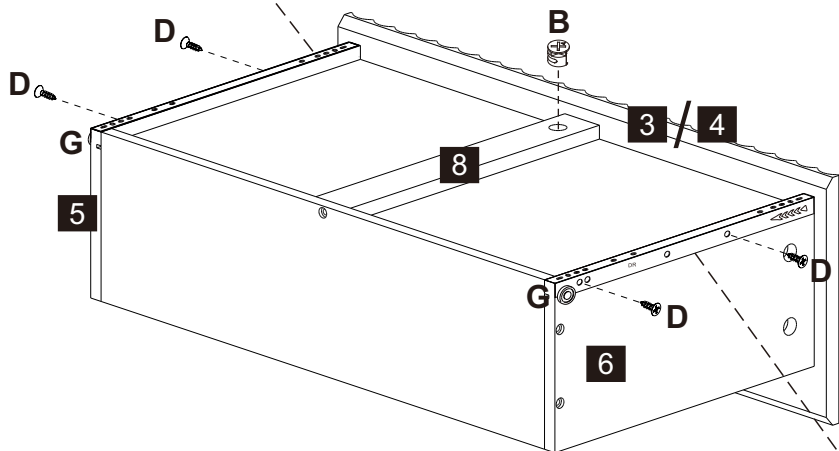
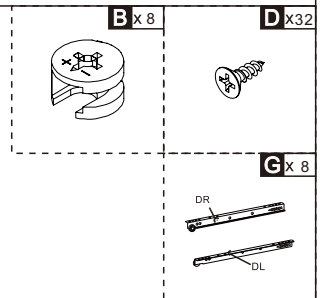
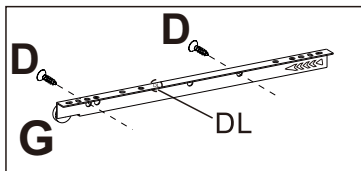
x8

17



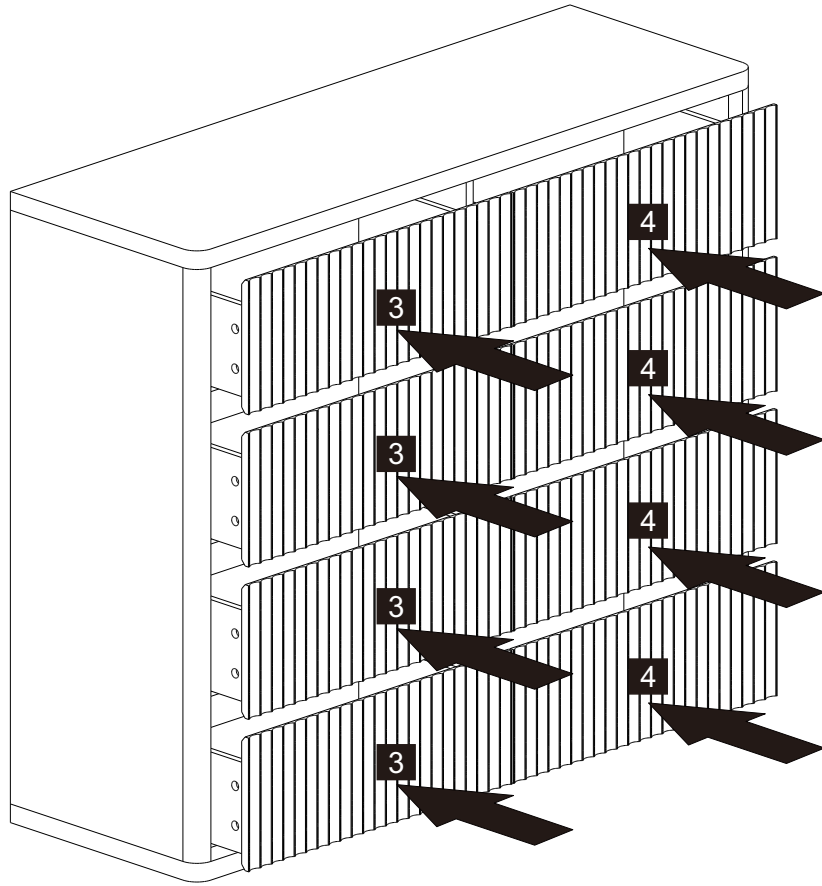
x8

18

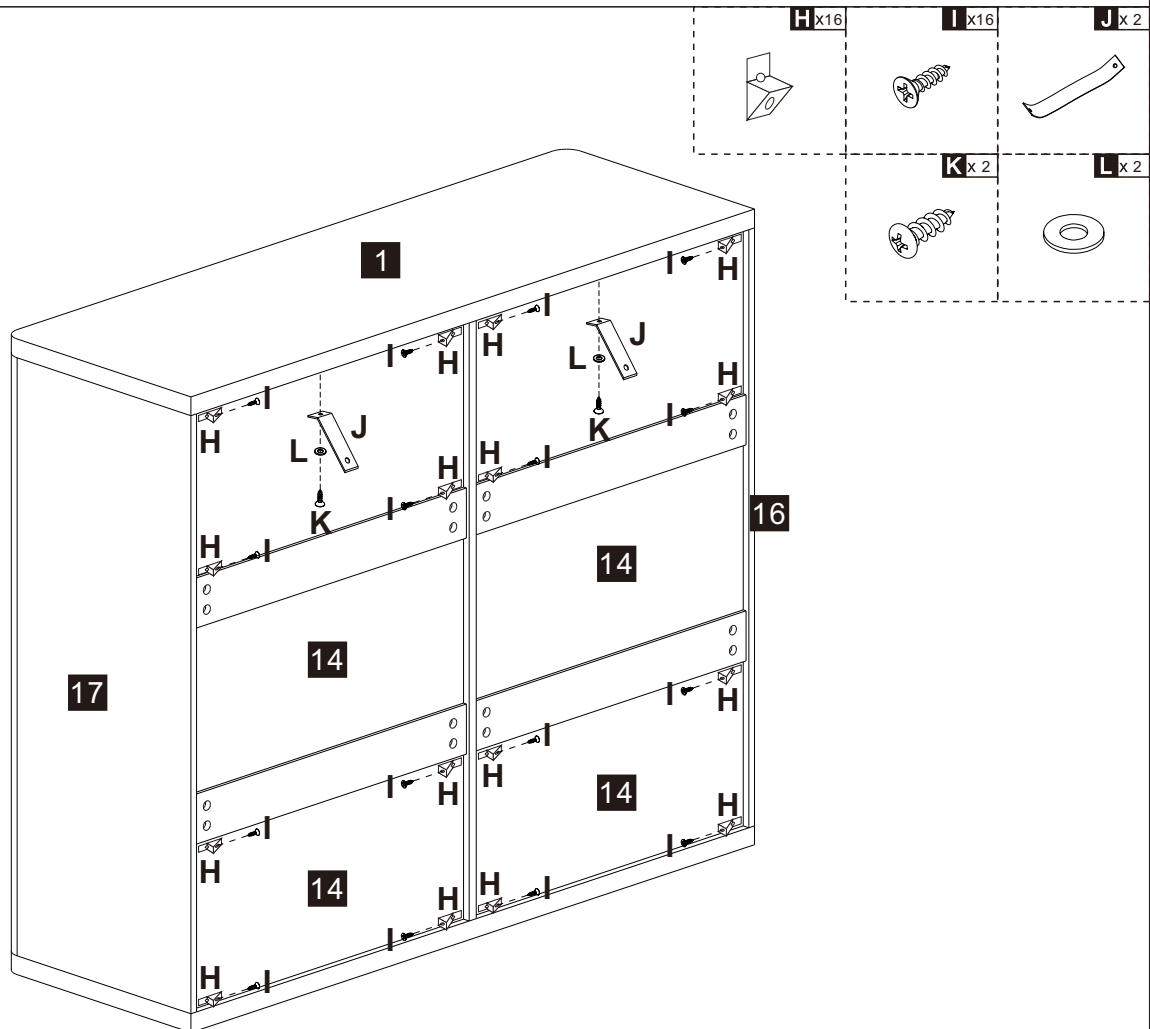


x8

19

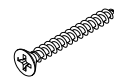


20



F x 2

L x 2



M x 2

