

It is **one of the biggest grills** for big parties (10 or more people). It's also perfect to use in restaurants and bars. This grill is economic, consumes little charcoal and the cooking temperature is easy to manage. It has all the BONO MEDIA functions and maximum capacity.

With this grill, you can cook 30 burgers, 3 pork shoulders, 6 chickens, an 8 kg turkey, 15 beefsteaks or Ø36 cm pizza. This model lets you enjoy all the advantages of Kamado BONO grills as it is compatible with all the grill accessories and has maximum capacity. Do you feel like smoking fish, baking bread or roasting meat? Then Kamado Bono GRANDE is a must-have at home or in *catering*.

A grill is provided with an essential accessory: multifunctional *Dual zone* cooking system that enables cooking several dishes simultaneously at different temperatures and on different height levels. Thanks to the semicircle "shelves" you can organise your cooking surfaces in a different way – for direct and indirect baking. The two-zone grill grates and a multi-level structure provides a wide variety of cooking possibilities and makes the cooking much simpler.

It is compatible with most accessories such as flat baking stone for a pizza, cast iron grates, stainless steel grates expander.

The model BONO GRANDE is provided with base of wheels and bamboo trays. Available for sale in black and red with the following **accessories included**:



multifunctional cooking system of two zones and two ceramic deflectors "Dual zone"



protective grill cover

vertical ceramic chicken rack



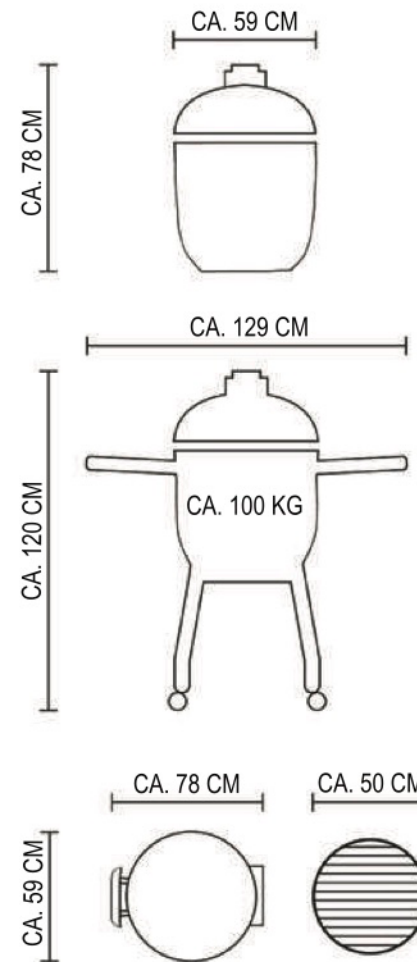
steel ach removal tool



BONO GRANDE

CODE	TQOO23ALLIN
CODE	TQ0023RED
COOKING GRATE DIAMETER	50 cm
WEIGHT	100 kg
PACKAGE MATERIALS	77 x 67 x 93 cm, 112 kg ceramic, bamboo, stainless steel

TECHNICAL SPECIFICATIONS



GRANDE