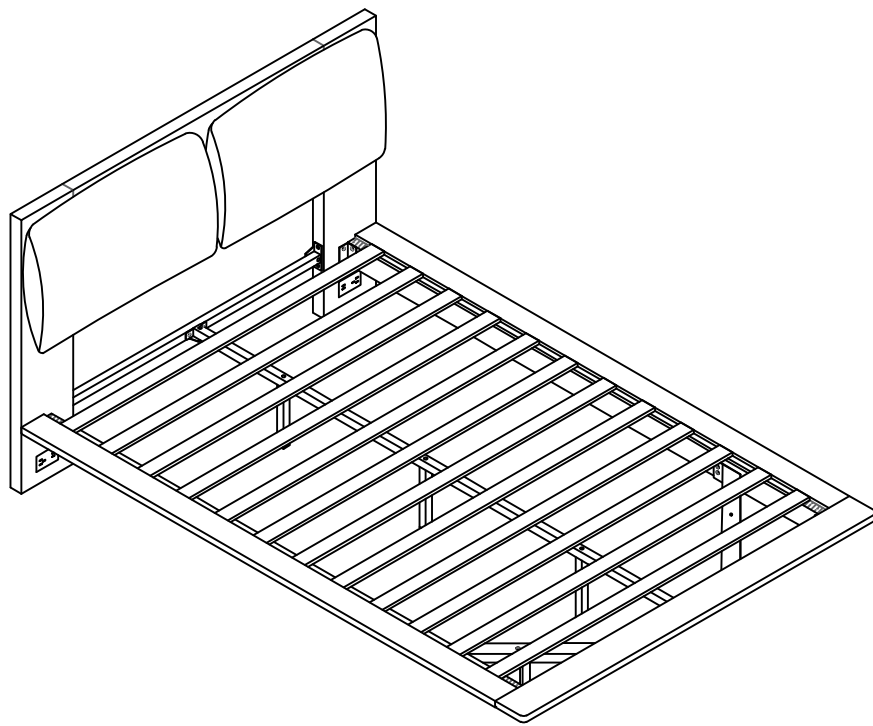
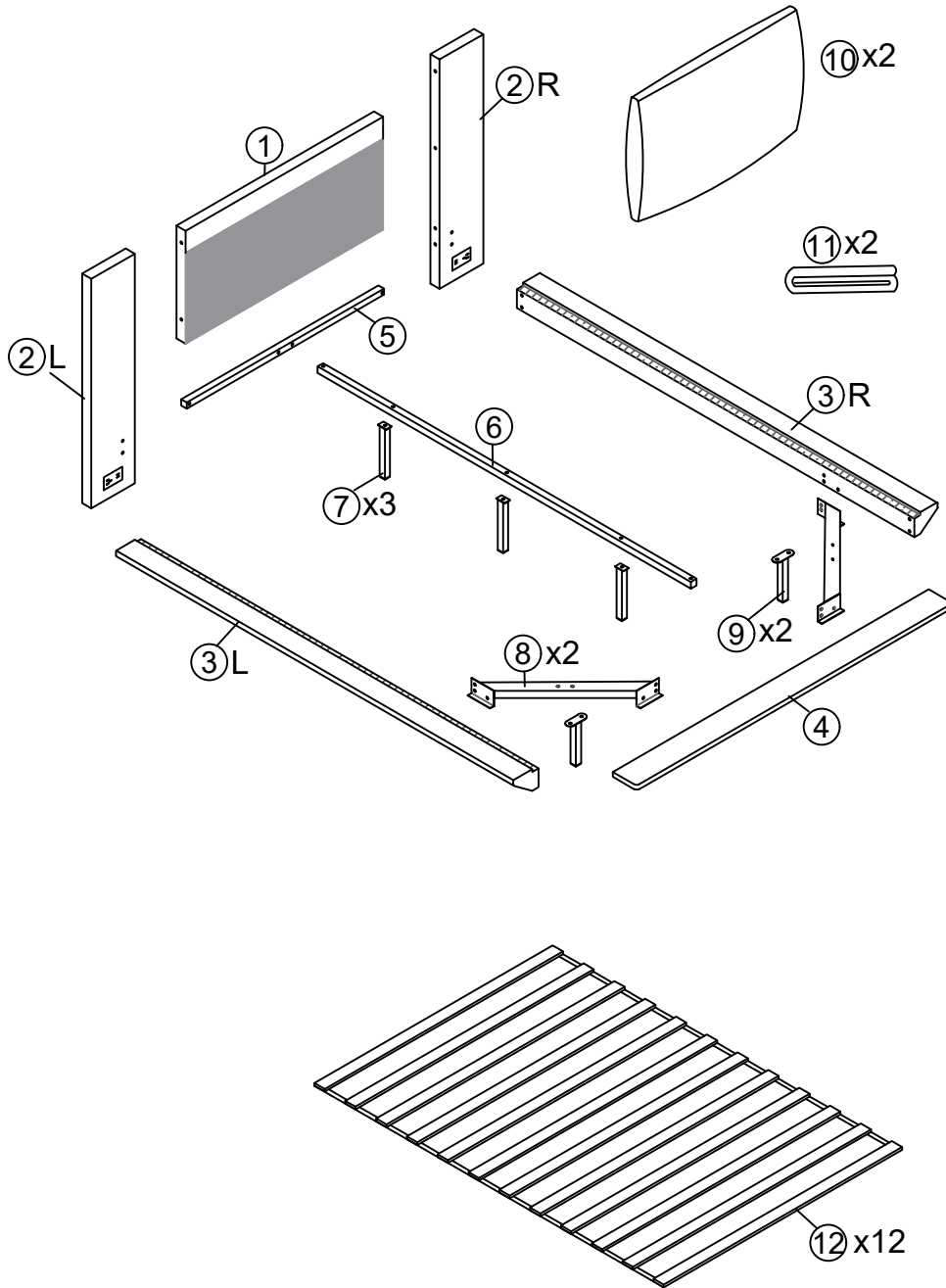


# ASSEMBLY INSTRUCTION

SKU:WF312192 + WF312194

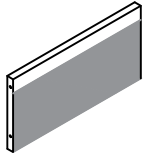

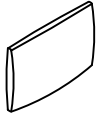
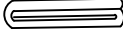


# Detail View

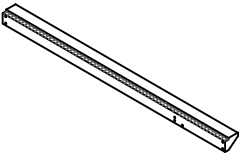
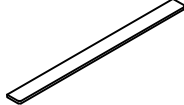

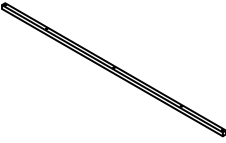


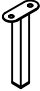
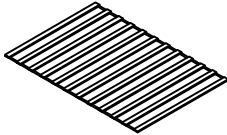


# Part List



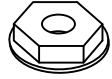

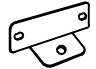
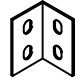

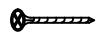


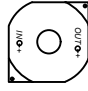



WF312192

|   |   |  |
|---|---|--|
| <p><b>1</b></p>  <p>Head board-1pc</p>   | <p><b>2</b></p>  <p>Side head board-2pcs</p> | <p><b>10</b></p>  <p>Pillow core-2pcs</p> |
| <p><b>11</b></p>  <p>Pillowcase-2pcs</p> |   |  |

## Hardware List + Part list WF312194

|   |  |  |
|---|--|--|
| <p><b>3</b></p>  <p>Siderails-2pcs</p>          | <p><b>4</b></p>  <p>Foot board-1pc</p>           | <p><b>5</b></p>  <p>Head board cross bar-1pc</p> |
| <p><b>6</b></p>  <p>Center support bar-1pc</p> | <p><b>7</b></p>  <p>Middle support leg-3pcs</p> | <p><b>8</b></p>  <p>Leg support bar-2pcs</p>    |
| <p><b>9</b></p>  <p>Leg-2pcs</p>               | <p><b>12</b></p>  <p>Slats -12pcs</p>           |  |

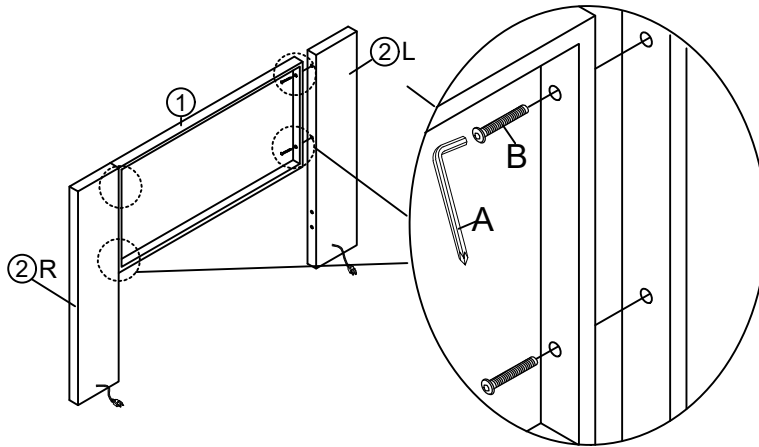
# Hardware List


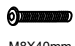
|  |  |   |
|--|--|---|
| <b>A</b><br><br>Allen Key(1pc)          | <b>B</b><br><br>Bolts(15pcs)<br>Ø8*40mm                           | <b>C</b><br><br>Nuts(4pcs)<br>M8                     |
| <b>D</b><br><br>Bolts(36pcs)<br>Ø8*18mm | <b>E</b><br><br>Center support bar fittings(4pcs)<br>86*32*28*2mm | <b>F</b><br><br>"7" Connector(4pcs)<br>77*33**33*2mm |
| <b>G</b><br><br>Spanner(1pc)            | <b>H</b><br><br>Nails(36pcs)<br>Ø3*16mm                           | <b>I</b><br><br>Buckle(16pcs)<br>20*6mm              |
| <b>J</b><br><br>LED(1pc)                | <b>K</b><br><br>Senso(2pcs)                                       | <b>L</b><br><br>Led power adapter(1pc)               |
| <b>M</b><br><br>Sensor cable(1pc)     | <b>N</b><br><br>Power cable(1pc)                                |   |

Attention: Do not tighten the screws before completing the entire installation. If you have any difficulty with the installation process, please feel free to contact us.

## Step 1 x2

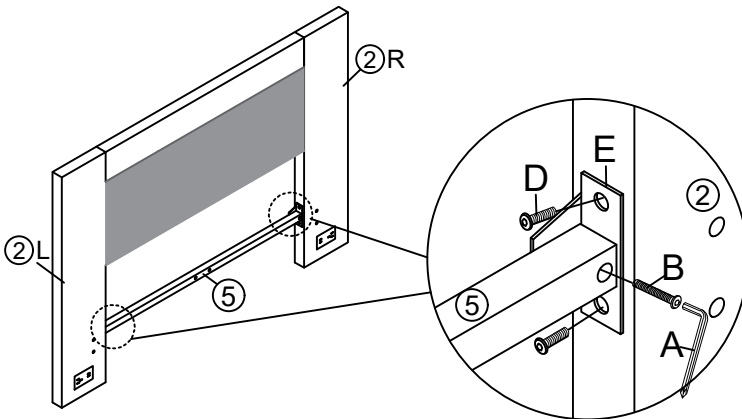
Fix the Side head board ② to the Headboard ① with Bolts B by using Allen key A.







|   |  |
|---|--|
| A Allen Key   | B Bolts x 4  |
|  | <br>M8X40mm |

## Step 2 x2

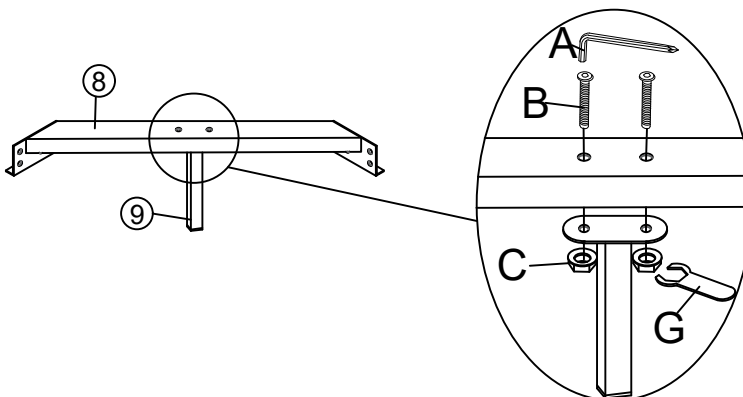
Fix the Center support bar fittings E to the side headboard ② with Bolts D by using Allen key A.  
Fix the headboard cross bar ⑤ to Center support bar fittings E with Bolts B by using Allen key A.







|   |   |  |   |
|---|---|--|---|
| Allen Key   | B Bolts x 2   | D Bolts x 4  | E Center support bar fittings x2  |
|  | <br>M8X40mm | <br>M8X18mm |  |

## Step 3 x2

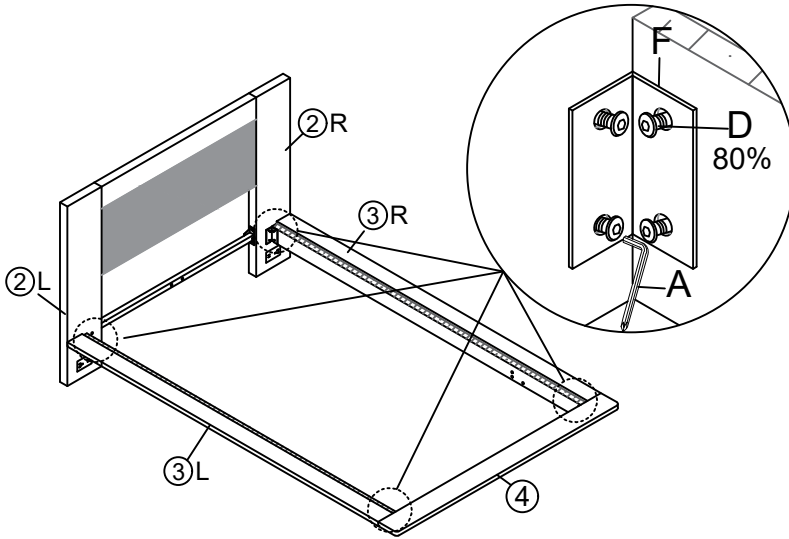
Fix the Legs ⑨ to the Leg support bar ⑧ with Bolts B and Nuts C by using Allen key A and Spanner G.






|  |  |   |   |
|--|--|---|---|
| Allen Key  | B Bolts x 4  | C Nuts x 4  | G Spanner x 4   |
|  | <br>M8X40mm |  |  |

## Step 4

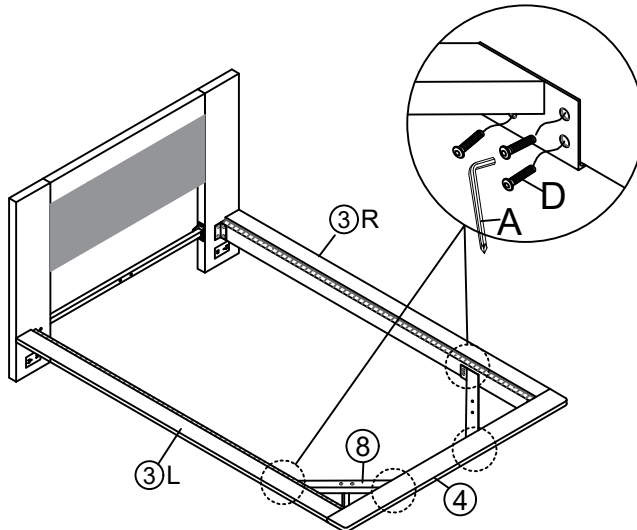
Fix the Siderail ③ to the side headboard ② and foot board ④ with Bolts D and "7" Connector F by using Allen key A. Please notice that don't install all the screws, just install 80% of them.





|   |  |  |
|---|--|--|
| Allen Key<br> | D Bolts x 16<br><br>M8X18mm | F "7" Connector x 4<br> |
|---|--|--|

## Step 5

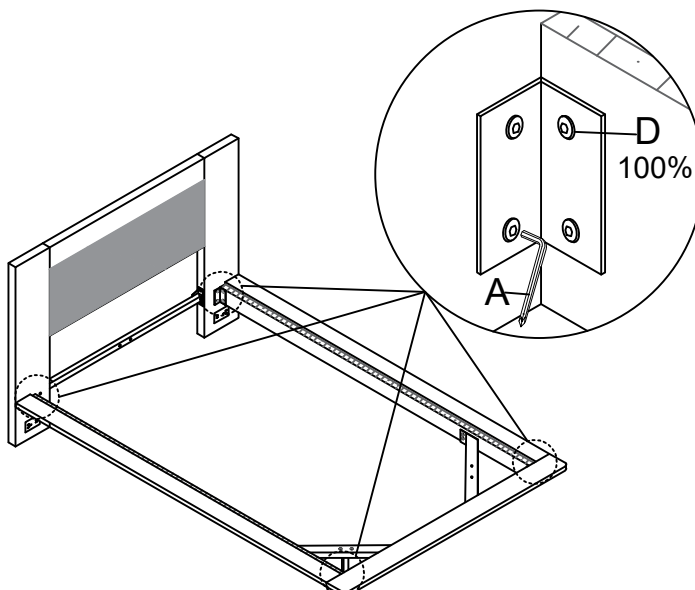
Fix the Leg support bar ⑧ to the Siderails ③ and footboard ④ with Bolts D by using Allen key A.




|  |  |
|--|--|
| Allen Key<br> | D Bolts x 12<br><br>M8X18mm |
|--|--|

## Step 6

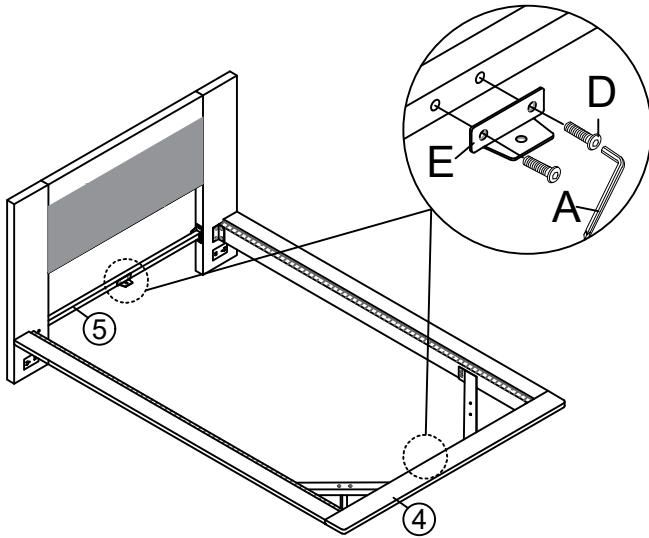
Please install all of the screws by using Allen key A now.






|  |
|--|
| Allen Key<br> |
|--|

## Step 7

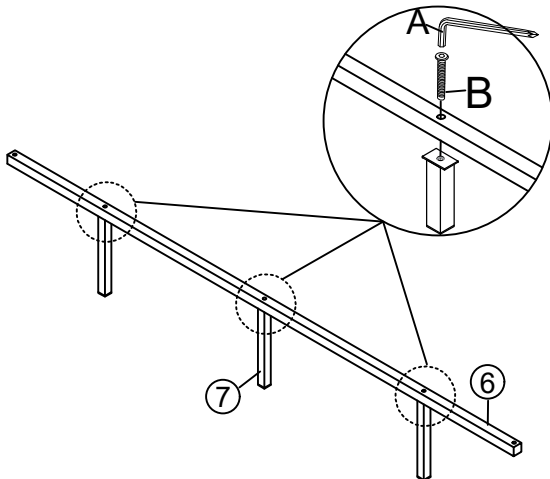
Fix the Center support bar fittings E to the Headboard cross bar ⑤ and foot board ④ with Bolts D by using Allen key A





|   |   |   |
|---|---|---|
| Allen Key<br> | D Bolts x 4<br><br>M8X18mm | E Center support bar fittings x2<br> |
|---|---|---|

## Step 8

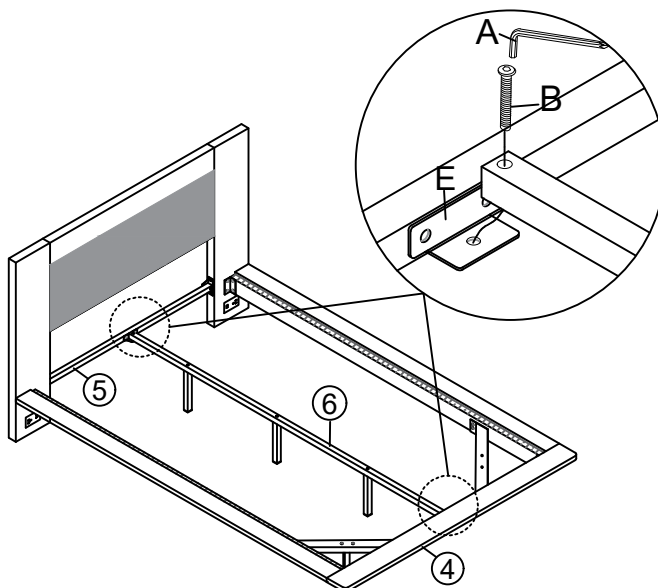
Fix the middle support leg ⑦ to the center support bar ⑥ with Bolts B by using Allen key A.





|  |   |
|--|---|
| Allen Key<br> | B Bolts x 3<br><br>M8X40mm |
|--|---|

## Step 9

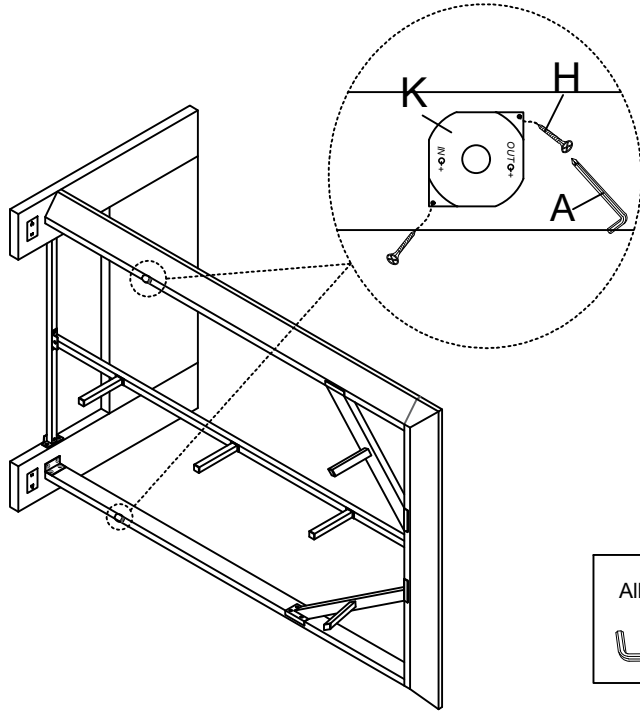
Fix the Center support bar ⑥ to the headboard cross bar ⑤ and foot board ④ with Bolts B by using Allen key A





|  |   |
|--|---|
| Allen Key<br> | B Bolts x 2<br><br>M8X40mm |
|--|---|

## Step 10

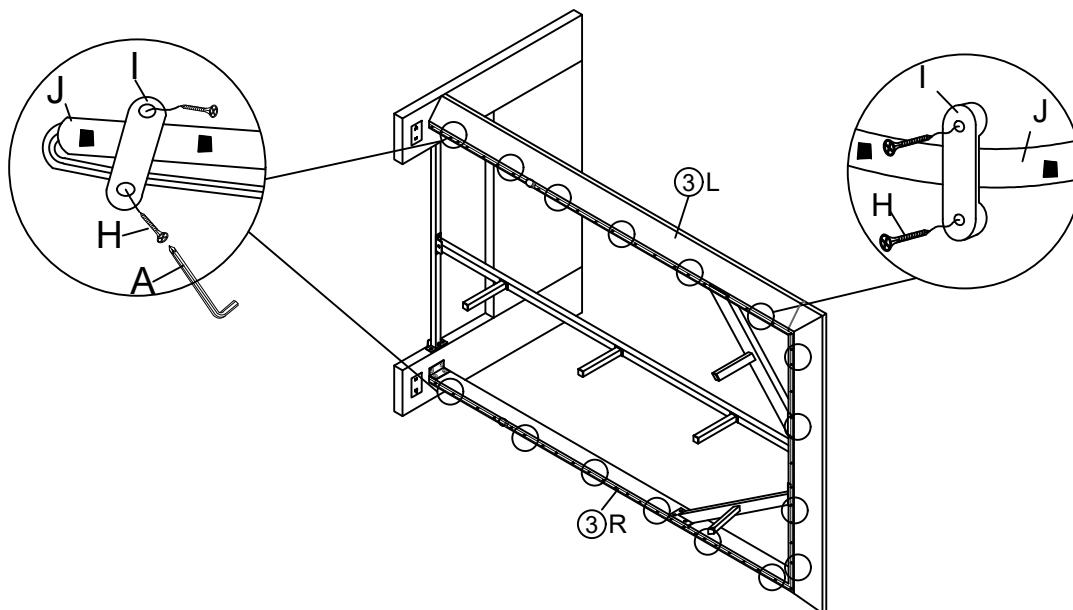
Fix the Senso K to the siderails ③ with Nails H by using Allen key or Electric drill. The position of the Senso is 12"-20" from the headboard. You can adjust the position of your feet when you usually get out of the bed.


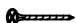




|   |   |  |
|---|---|--|
| Allen Key<br> | H Nails x 4<br><br>M3X16mm | K Senso x 2<br> |
|---|---|--|

## Step 11

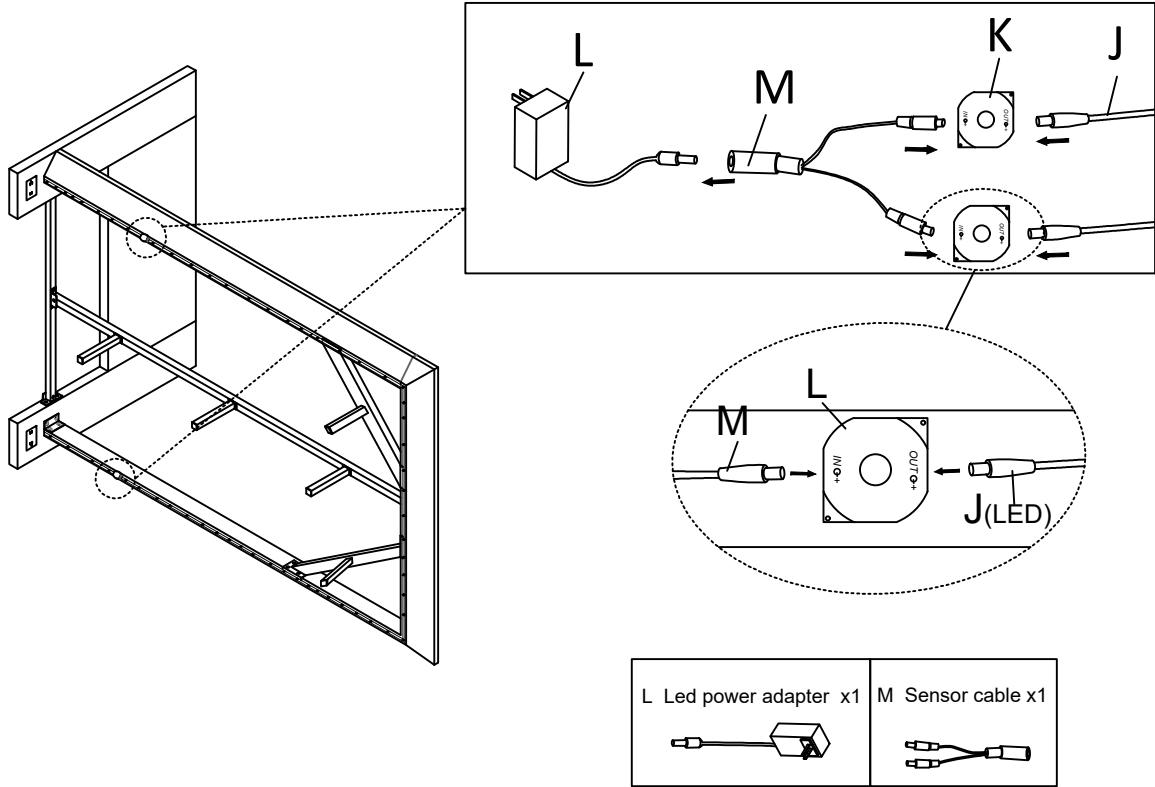
Fix the Led J to the siderails ③ and footboard ④ with Nails H and Buckle I by using Allen key A or Electric drill. You also can fix the line of the Senso to the siderails ③ with Buckle I.



|  |   |  |  |
|--|---|--|--|
| Allen Key<br> | H Nails x 32<br><br>M3X16mm | I Buckle x 16<br> | J LED x 1<br> |
|--|---|--|--|

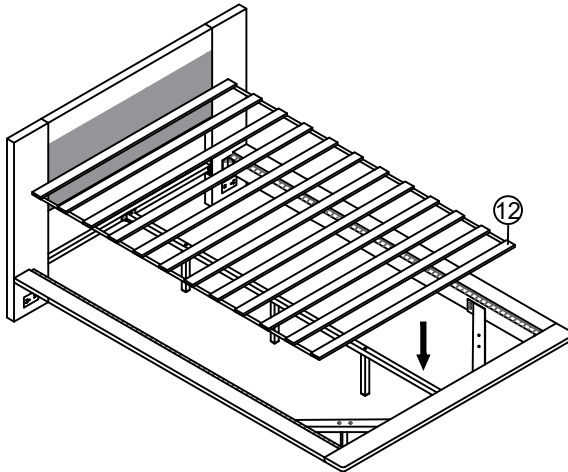
## Step 12

Connect LED J to the Senso K, please notice that put LED J into out+ and put the Sensor cable M into in+, then connect the Sensor cable M to the Led power adapter L.



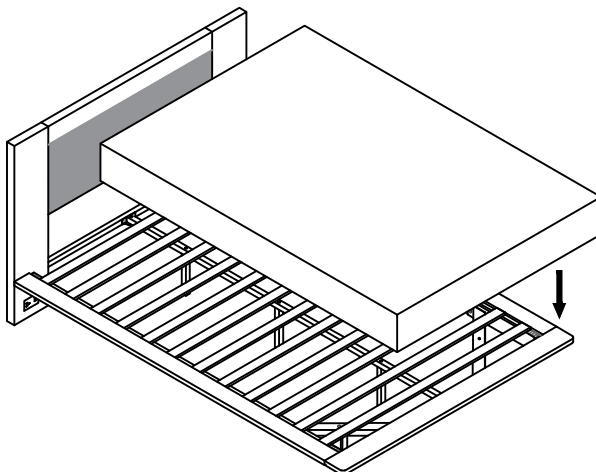
## Step 13

Fix the slats ⑫ to the side rails.



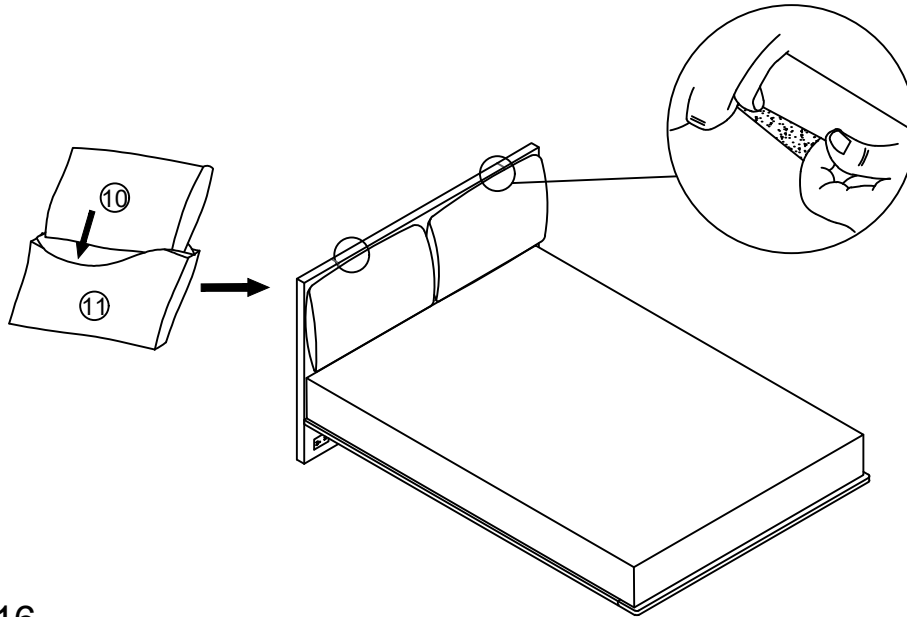
## Step 14

Put your mattress on your bed.



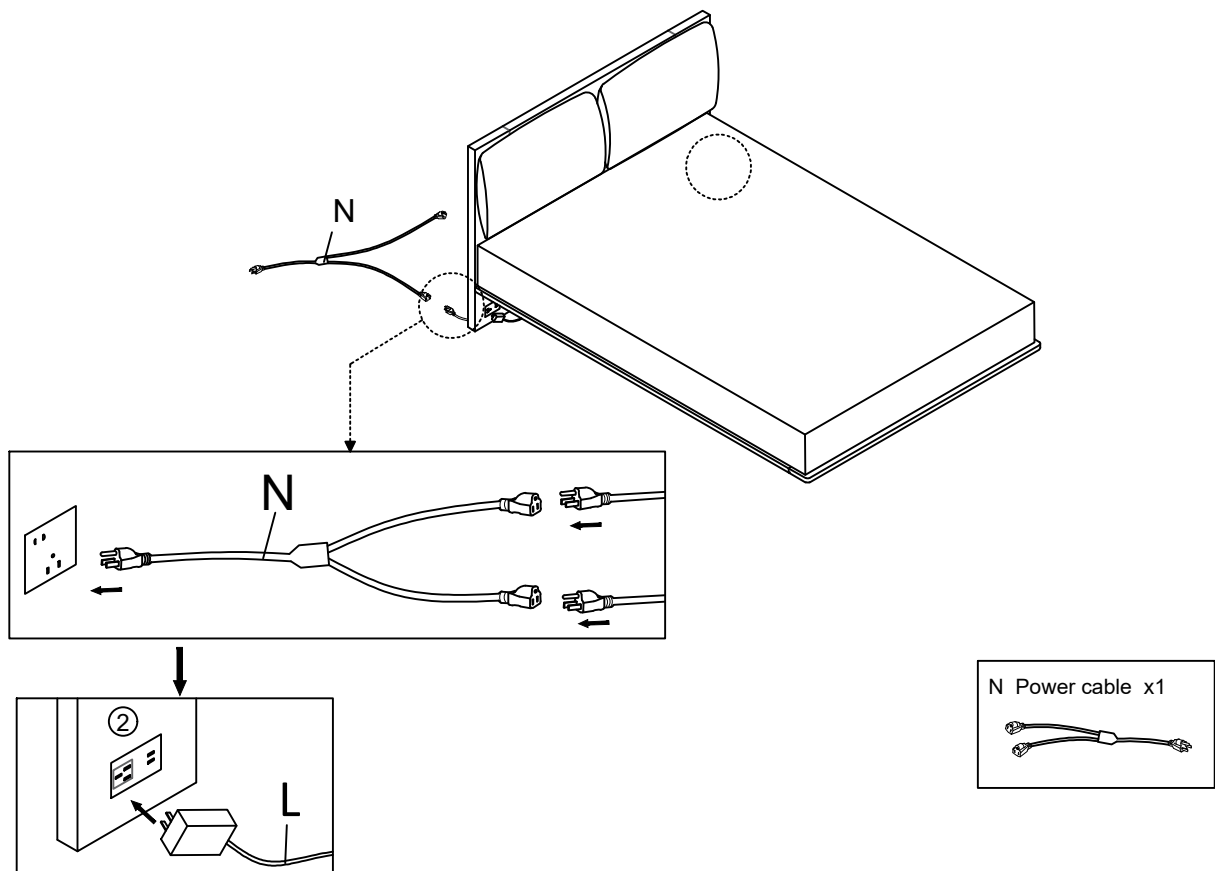
## Step 15

Put the Pillow core ⑩ into Pillowcase ⑪, then stick the pillow to the headboard.



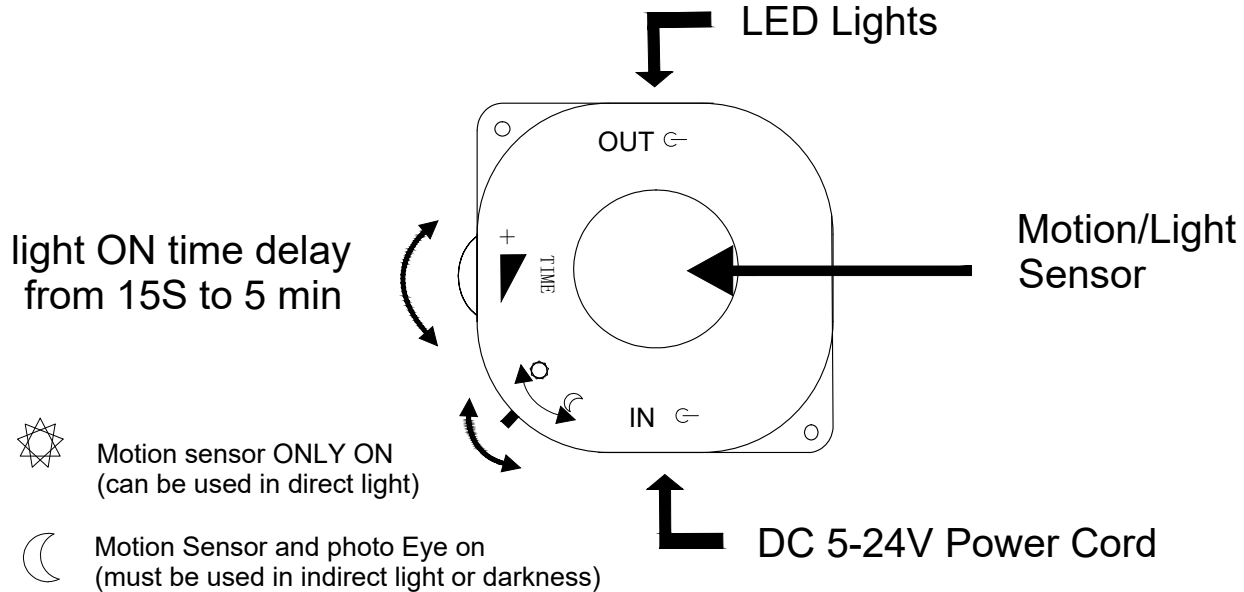
## Step 16

Connect the Socket line to the Power cable N and connect the power supply. At last connect the Led power adapter L to the Socket under the headboard, then assembled is finished and please enjoy your bed.



# MOTION SENSOR SWITCH

## INSTALLATION INSTRUCTIONS



1. Don't install in a place with strong wind and heat to avoid any false triggering
2. The operating temperature should be  $-5^{\circ}\text{C}\sim 40^{\circ}\text{C}$ . otherwise there may be false triggering.
3. The sensor is not waterproof; don't install it in any place with heavy water and humidity.