



U L T R A FAUCETS

INSTRUCTION

Bathroom Accessories

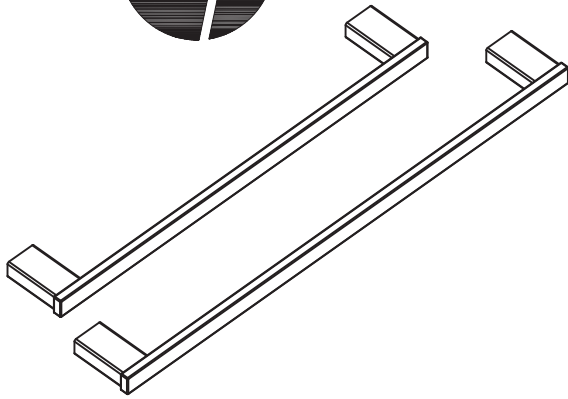
Model No.:

UFA11070

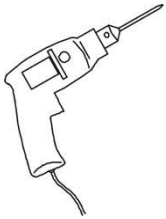
UFA21070

UFA11073

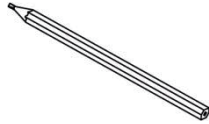
UFA21073



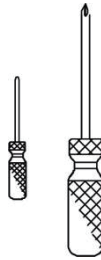
Tools You Will Need:



Drill



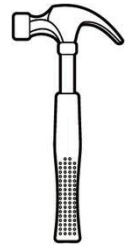
Pencil



Phillips Screwdriver

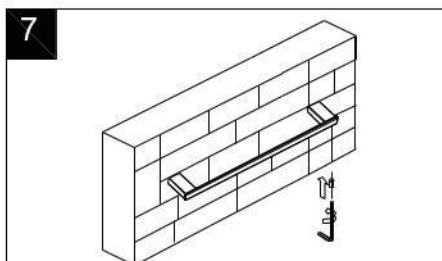
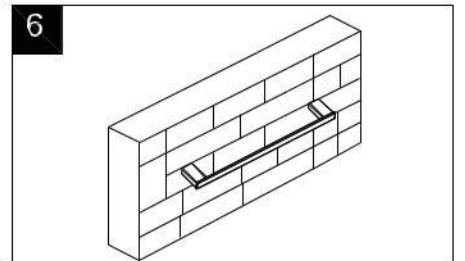
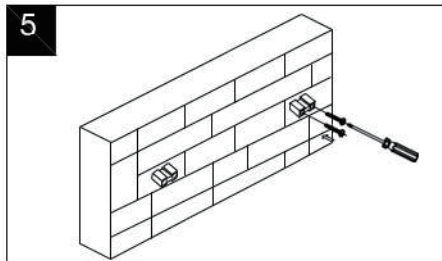
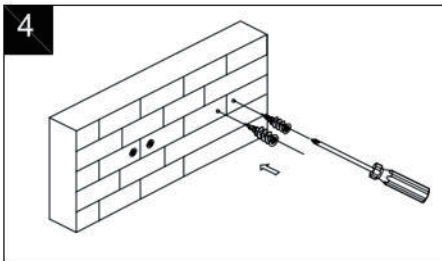
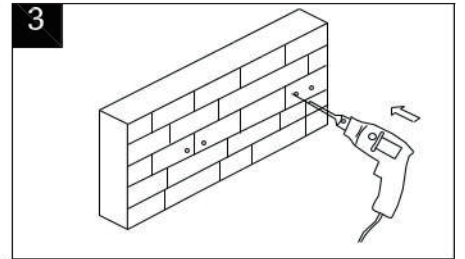
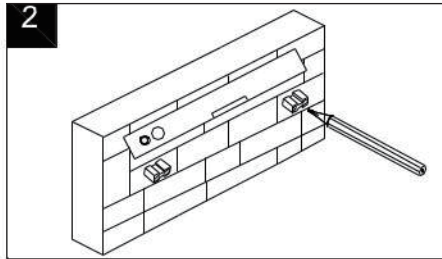
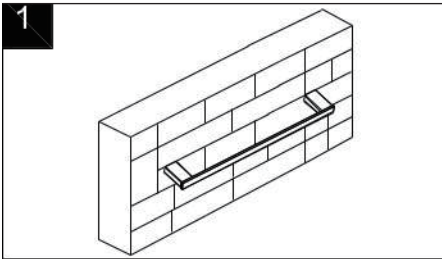


Level



Claw Hammer

Preparation/Assembly





U L T R A FAUCETS

INSTRUCTION

Exploded Drawing RP(Replacement Parts)

Model No.:

UFA11030

UFA21030

UFA11033

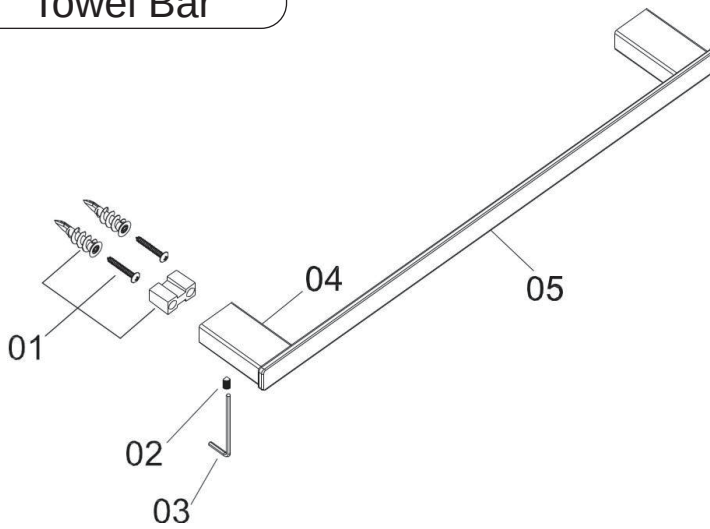
UFA21033

UFA11035

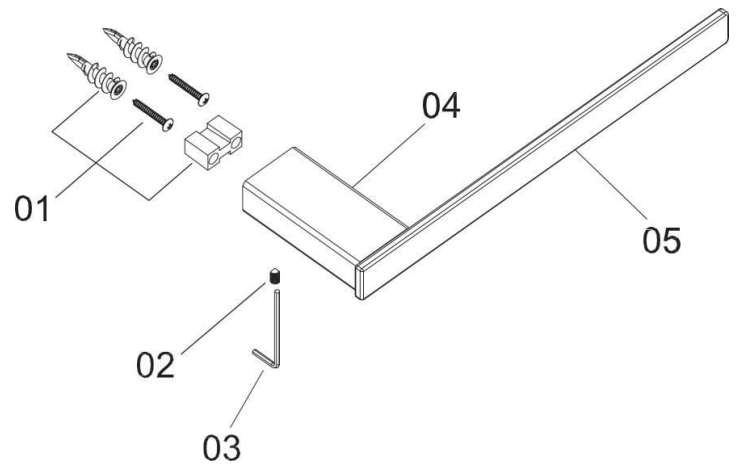
UFA21035

No.	Description	Part No.
1	Mounting Hardware	138A19
2	Set Screw	138A72
3	Hex Wrench	01101

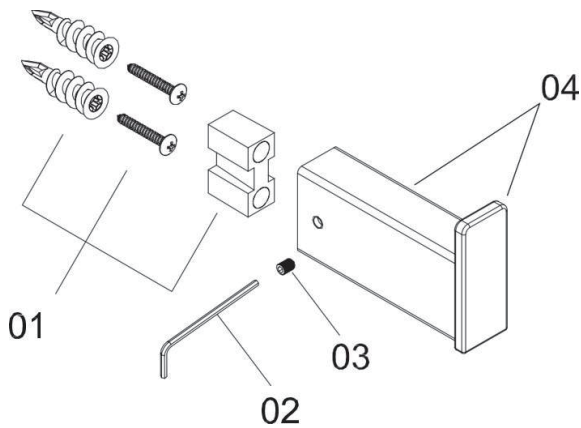
Towel Bar



Towel Ring



Robe Hook



Tissue Hodler

