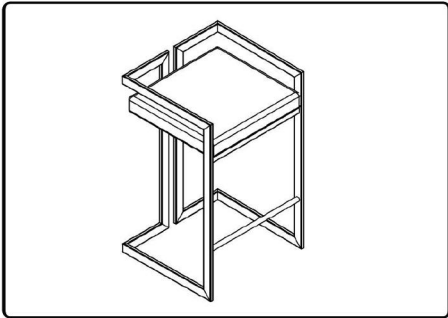


# ASSEMBLY INSTRUCTIONS



**+ Do Not Use Power Tools**



**+ Suggested Adults**



**NOTE:** For questions about parts or assembly please email [support@meridianfurnitureusa.com](mailto:support@meridianfurnitureusa.com) or call us at 718-758-4455.

- 1 Read instructions cover to cover.
- 2 Save all packaging until assembly is completed.

## 1 IMPORTANT SAFETY INFORMATION

**Do not** assemble the product if any of the following parts arrived damaged:

Part# ① - Seat with Base

Part# ② - Bar

**Do not** assemble if any of the following Hardware parts are missing:

Part# A - Bolt (M6\*15) 2PCS

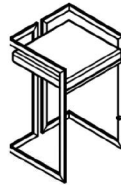
Part# B - Allen wrench (4mm) 1PC

## 2 IMPORTANT ASSEMBLY INFORMATION

**Assembly Step** If loosening persists, please make sure to tighten all the bolts periodically, or use a thread locker adhesive.

## + Parts Included

① Seat with Base 1PC



② Bar 1PC



## + Hardware Included

A Bolt (M6\*15)  
2PCS



B Allen wrench (4mm)  
1PC



# ASSEMBLY INSTRUCTIONS

1

