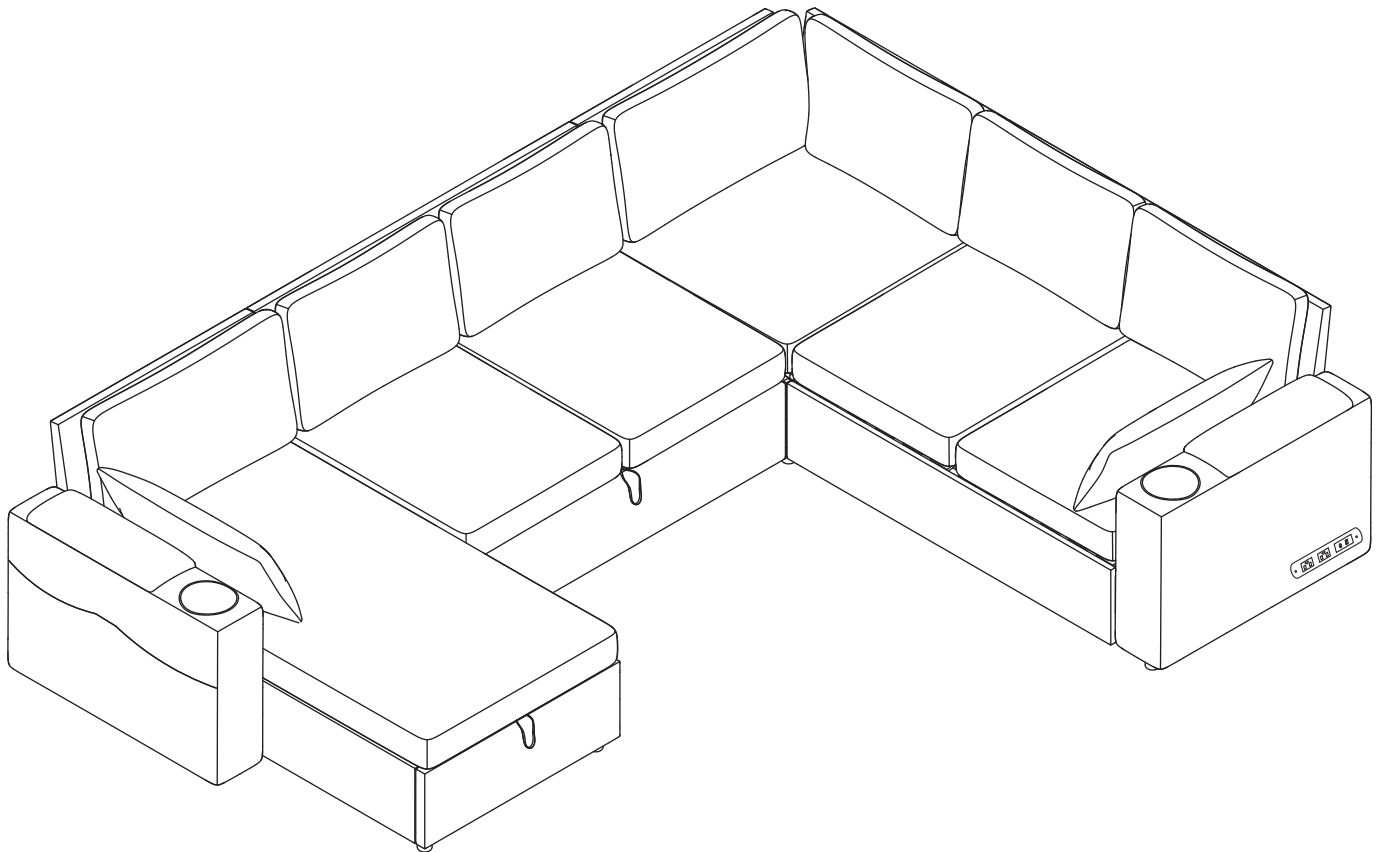


# ASSEMBLY INSTRUCTIONS



## IMPORTANT NOTE

**\*\*Place all parts on a lean and smooth surface such as a rug or carpet to avoid the parts from being scratched.**

**\*\*Before you begin, please review the assembly instruction step by step.**

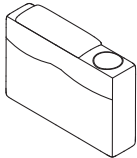
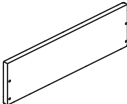
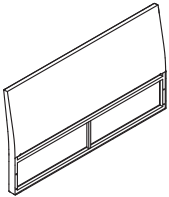
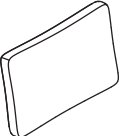
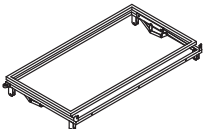
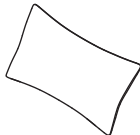
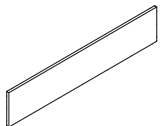

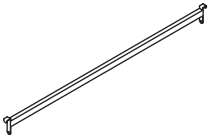
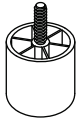
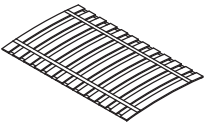
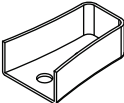
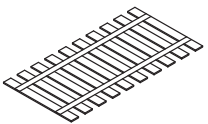
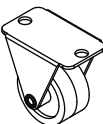
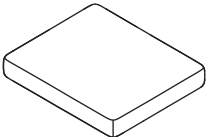
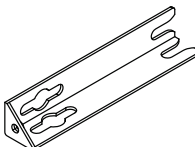
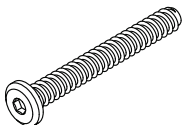
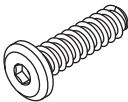
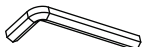

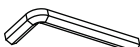
### **\*\*Return & Warranty Policy:**


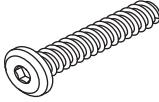
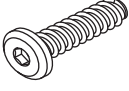

**-We strive to offer the highest quality products. We also provide positive solutions with replacements or refund if needed.**

**-If the item is damaged or defective, please take photos to show the problem and email to the seller.**

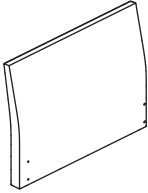
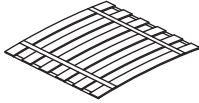
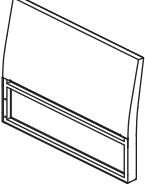
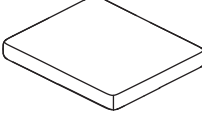
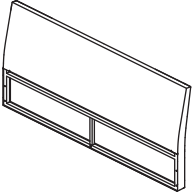
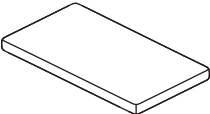
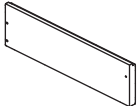
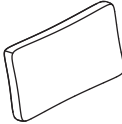
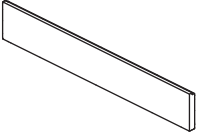
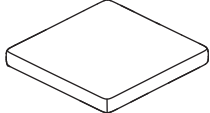

**-Please do not return back the product before contact the seller.**

# PART LISTS BOX 1

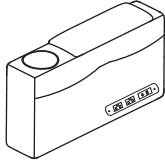
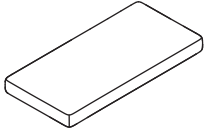
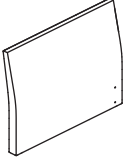
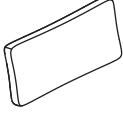
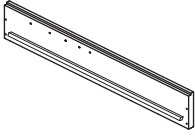
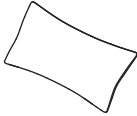
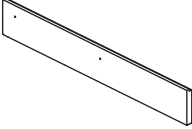

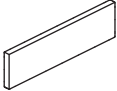

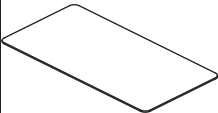
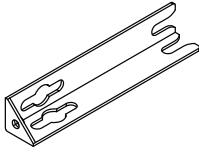
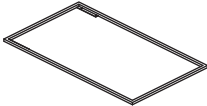
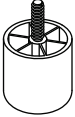
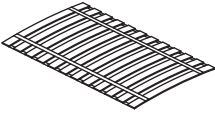
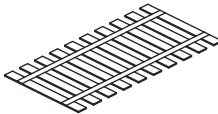
Part NO.	Part Image	Part Name	QTY	Part NO.	Part Image	Part Name	QTY
A		Left Armrest	1	G		L-side Panel of Corner	1
C		Pullout bed Backrest	1	W		Back Cushion	2
Y		Pull Out Bed Metal Frame	1	X		Armrest Pillow	1
J		Front Panel of Pull Out Bed Seater	1	A1		Draw String	2
K		Connect Metal of Pull Out Bed Seater	1	A2		Leg	8
T2		67cm Seat Structure	1	A3		Limit Device	2
T3		59.5cm Chaise Seat Structure	1	A4		Pull Out Bed Wheel	2
U3		Seat Cushion	2	A5		Connect Iron	10
A9		Screw M6*55	2	A12		Screw M8*20	1
A11		M5 Allen Key	1	A13		Gasket	2
				A11		M5 Allen Key	1

Part NO.	Part Image	Part Name	QTY	Part NO.	Part Image	Part Name	QTY
A6		Screw M4*10	4	A8		Screw M6*40	3
A7		Screw M6*20	76	A14		M2.5 Allen Key	1

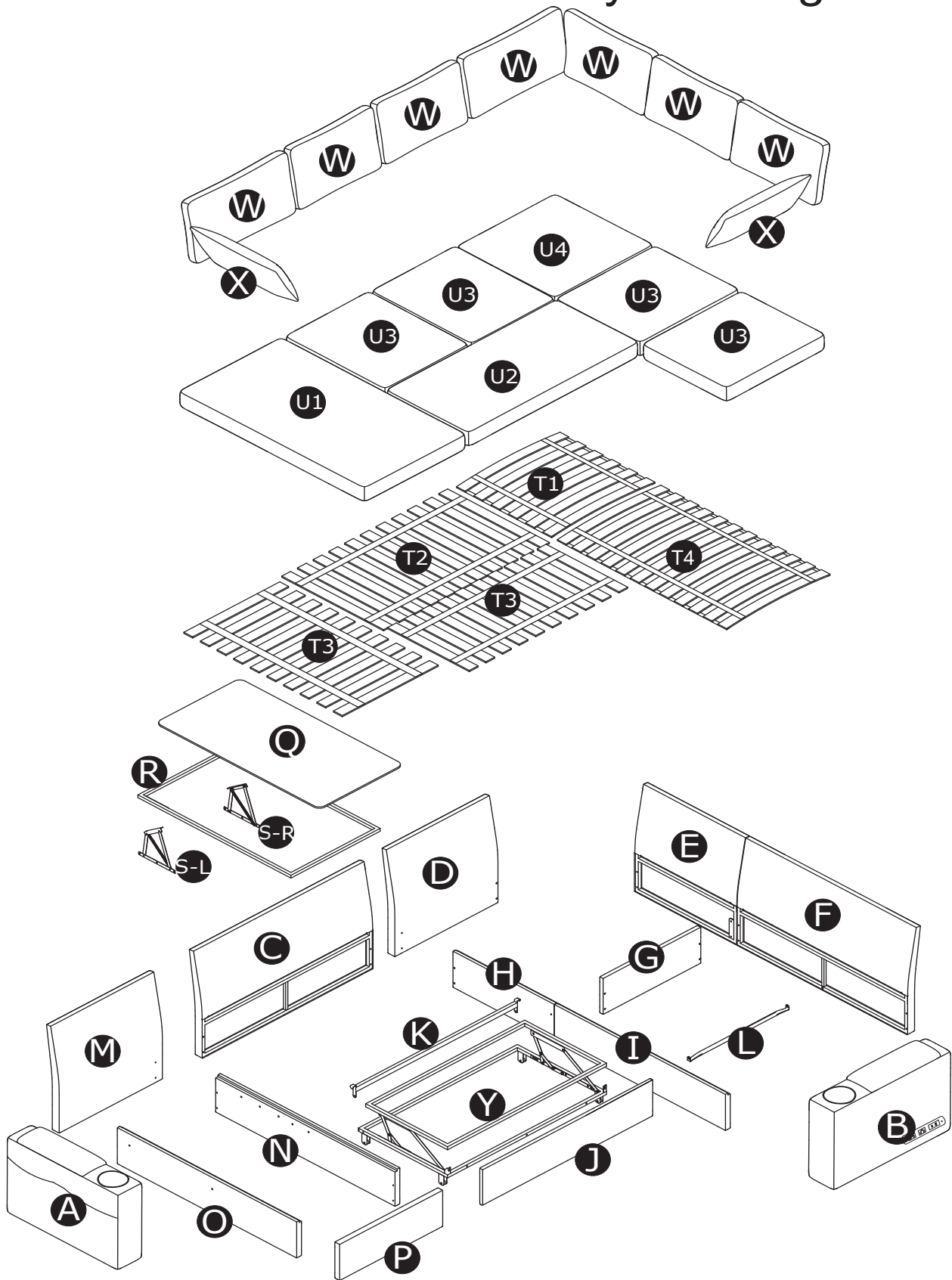
## PART LISTS BOX 2

Part NO.	Part Image	Part Name	QTY	Part NO.	Part Image	Part Name	QTY
D		Corner Backrest	1	T1		71cm Corner Seat Structure	1
E		Corner Backrest	1	U3		Seat Cushion	2
F		2-Seater backrest	1	U2		Pull Out Bed Seat Cushion	1
H		R-side Panel of Corner	1	W		Back Cushion	3
I		Front Panel of 2 Seater	1	U4		Corner Seat Cushion	1
L		Connect Metal	1				
			1				

# PART LISTS BOX 3

Part NO.	Part Image	Part Name	QTY	Part NO.	Part Image	Part Name	QTY
B		Right Armrest	1	U1		Chaise Seat Cushion	1
M		Backrest of Chaise	1	W		Back Cushion	2
N		R-Side Panel of Chaise	1	X		Armrest Pillow	1
O		L-Side Panel of Chaise	1	O-L		Hinge	1
P		Front Panel of Chaise	1	O-R		Hinge	1
Q		Panel of Chaise	1	A5		Connect iron	4
R		Metal Frame	1	A2		Leg	2
T4		71cm Seat Structure	1				
T3		59.5cm Chaise Seat Structure	1				

# Sofa Overall Assembly Drawing



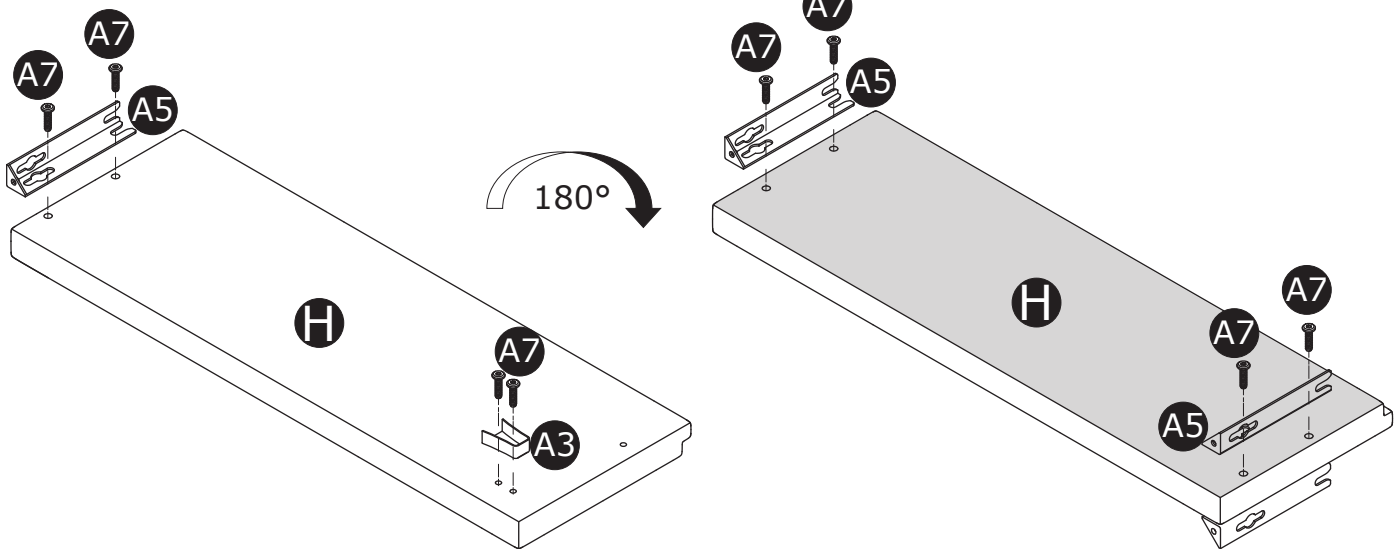
**Some parts are inside the armrest, please take them out**

## STEP 1

A3 x1

A5 x3

A7 x8

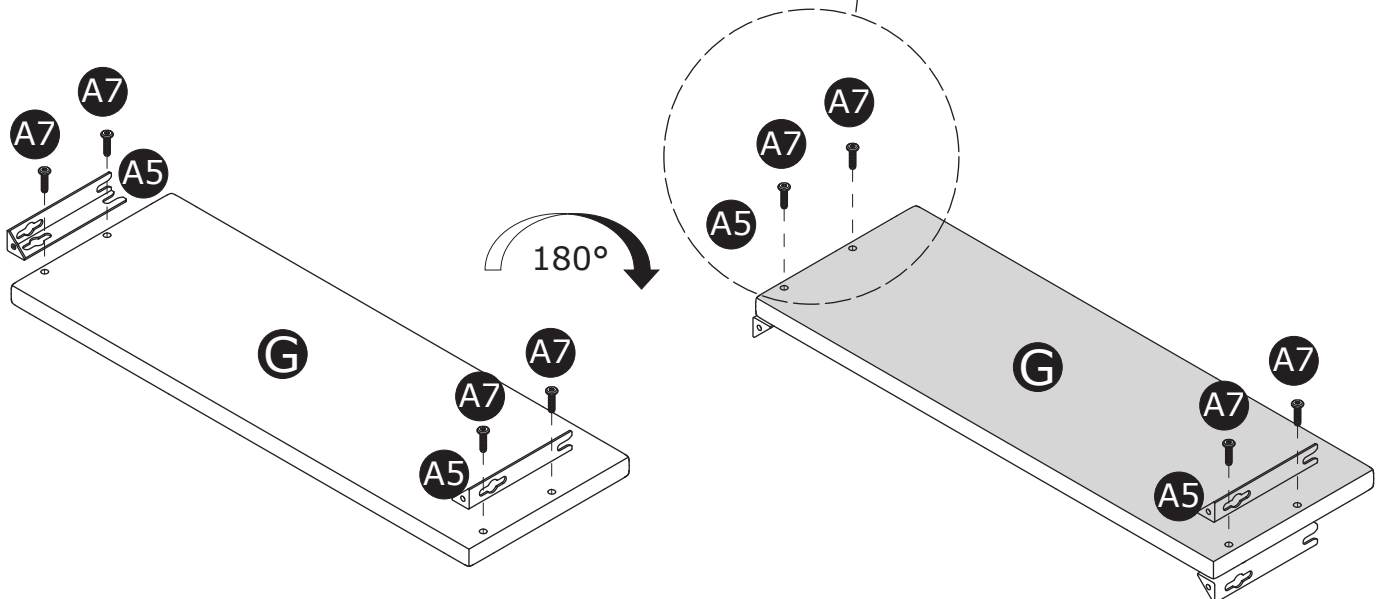


## STEP 2

Insert these 2 screws "A7" into part "G", but do not tighten fully at this time  
Insert these 2 screws "A7" into part "A5" on STEP3 and tighten them at that time

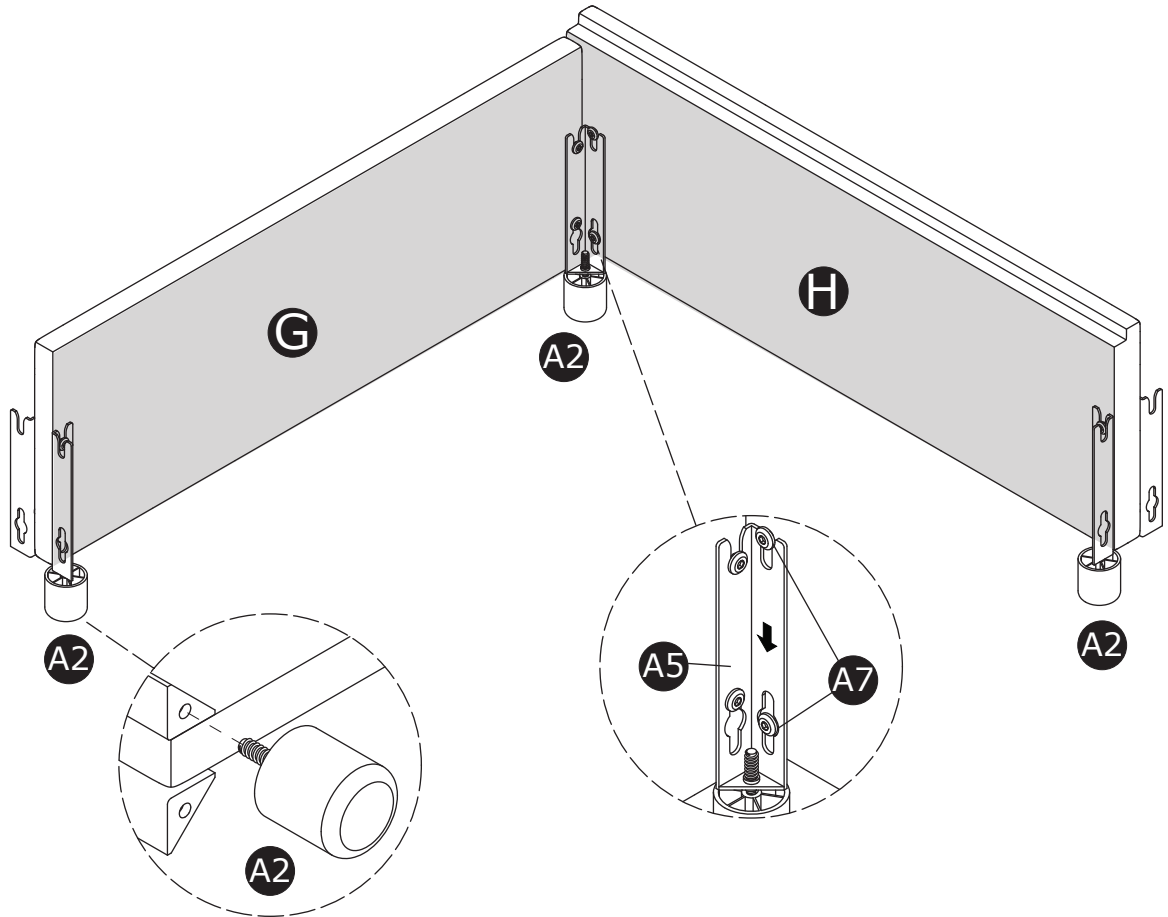
A5 x3

A7 x8



### STEP 3

**A2** x3

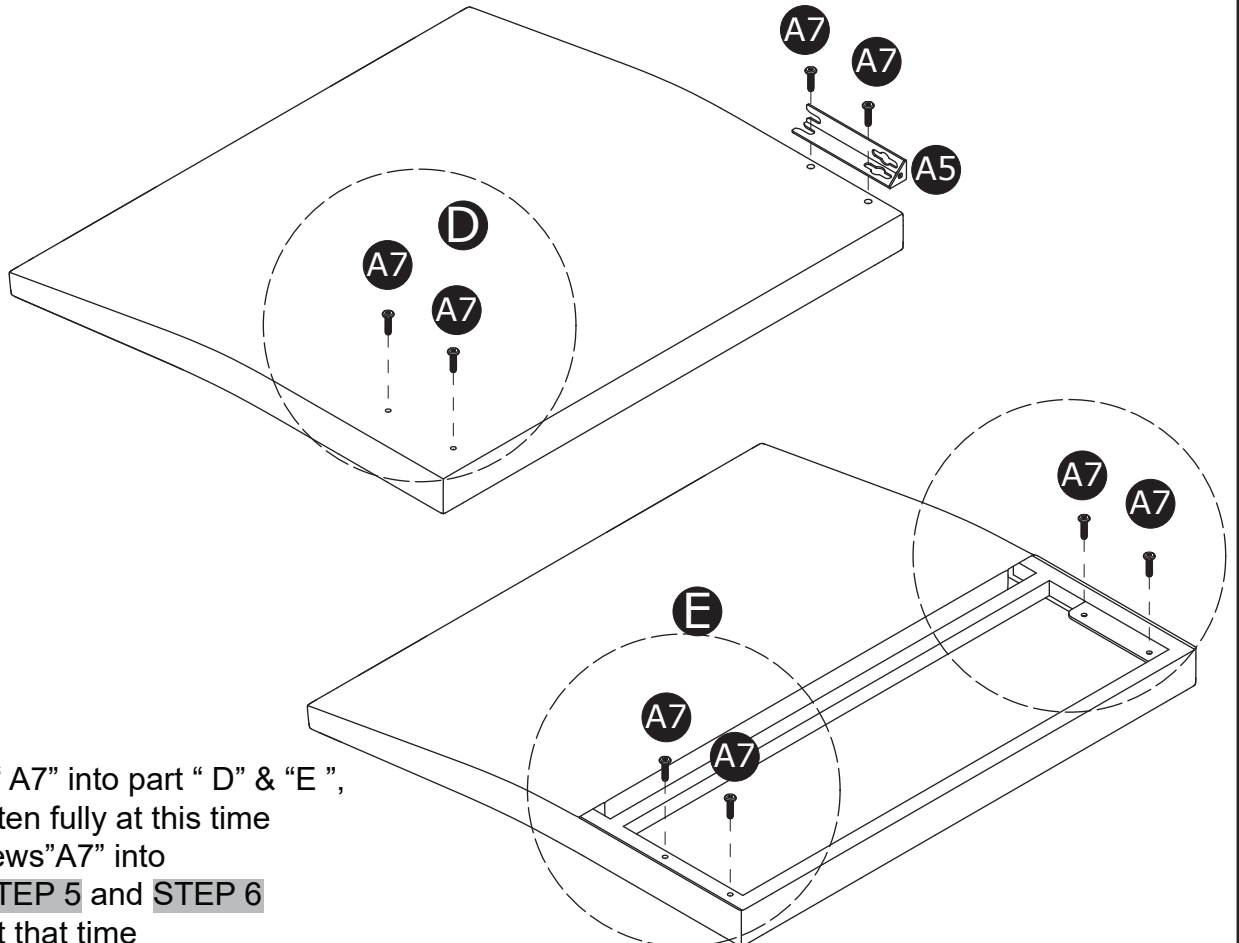


Tighten these 2 screws "A7" fully

### STEP 4

**A5** x1

**A7** x8

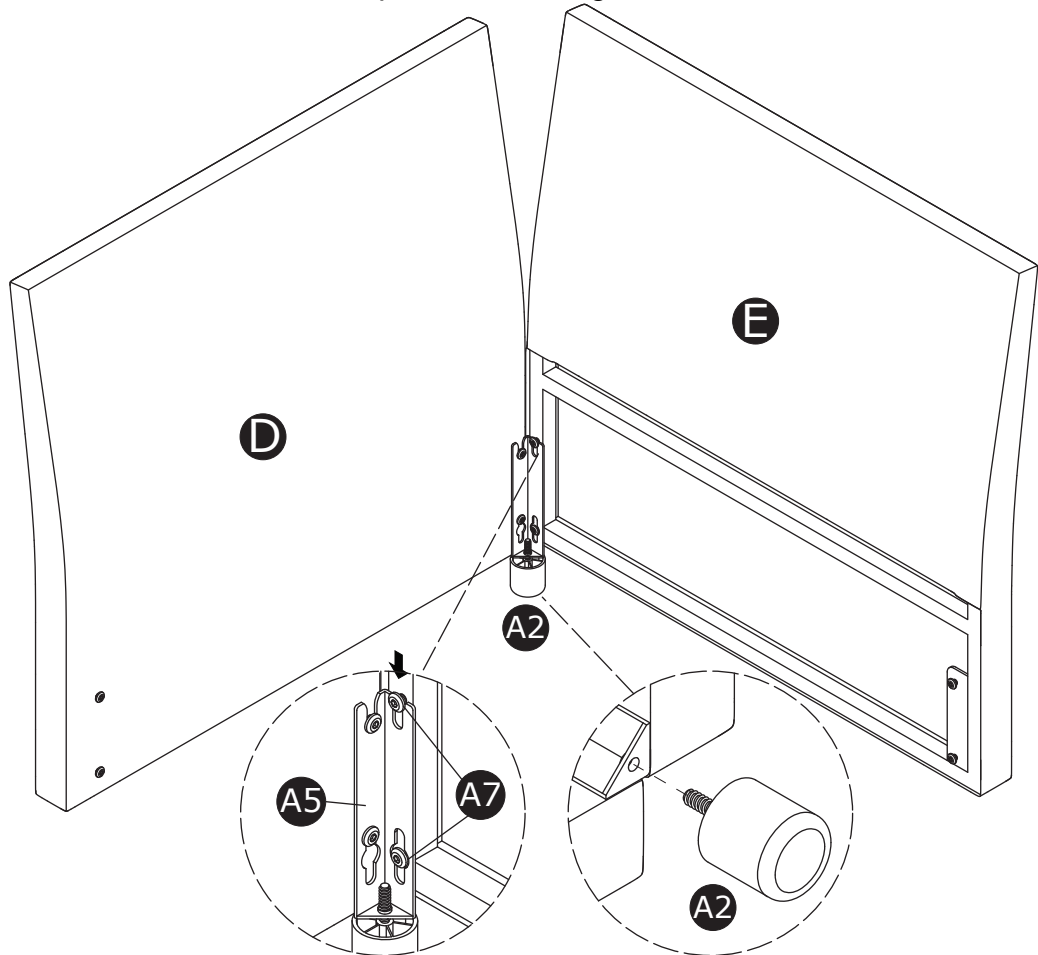


Insert screws "A7" into part "D" & "E",  
but do not tighten fully at this time  
Insert the screws "A7" into  
part "A5" on **STEP 5** and **STEP 6**  
tighten them at that time

## STEP 5

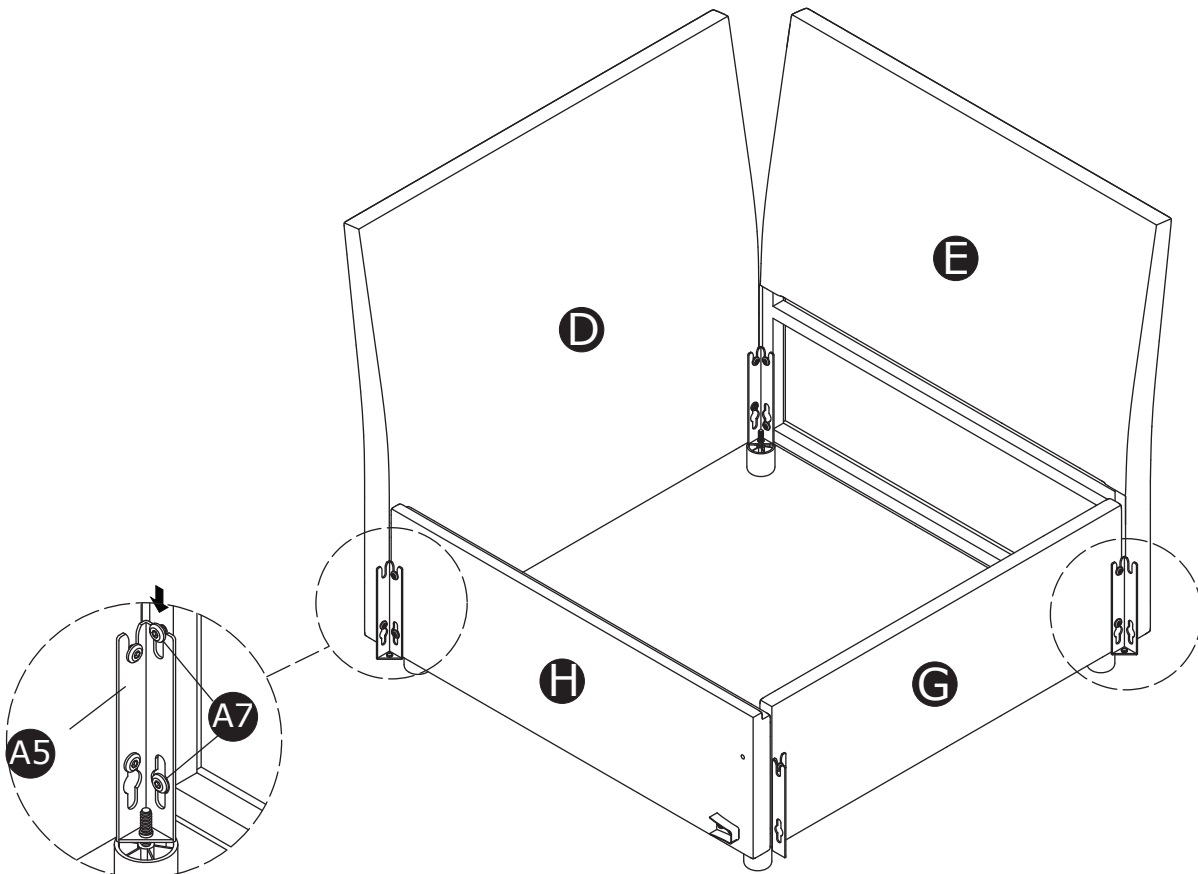
Insert the screws "A7" into part "A5" and tighten them at this time

**A2** x1



## STEP 6

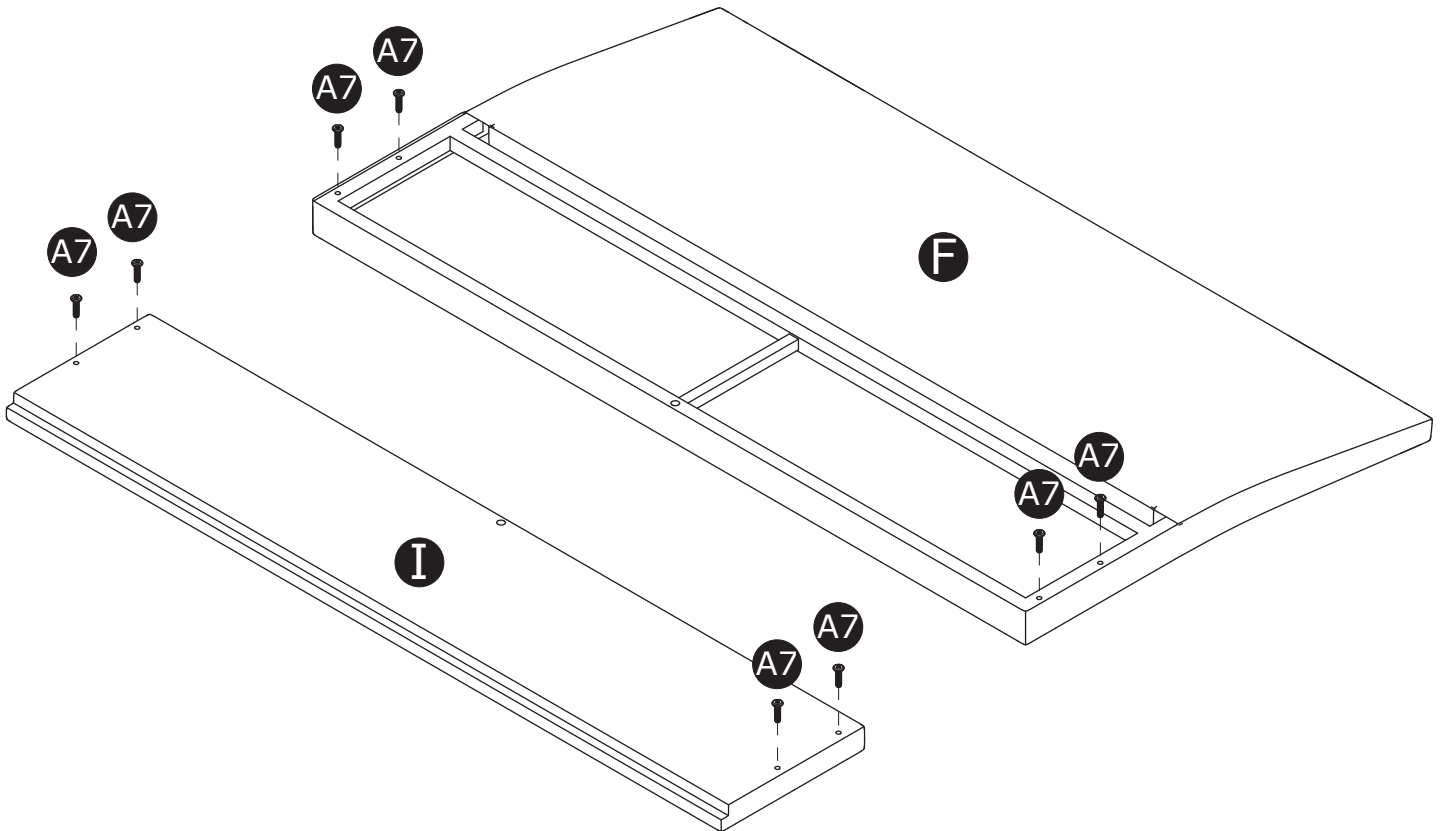
Insert the screws "A7" into part "A5" and tighten them at this time



## STEP 7

Insert screws "A7" into part "F" & "I", but do not tighten fully at this time  
Insert the screws "A7" into part "A5" on **STEP 9** and tighten them at that time

**A7** x8

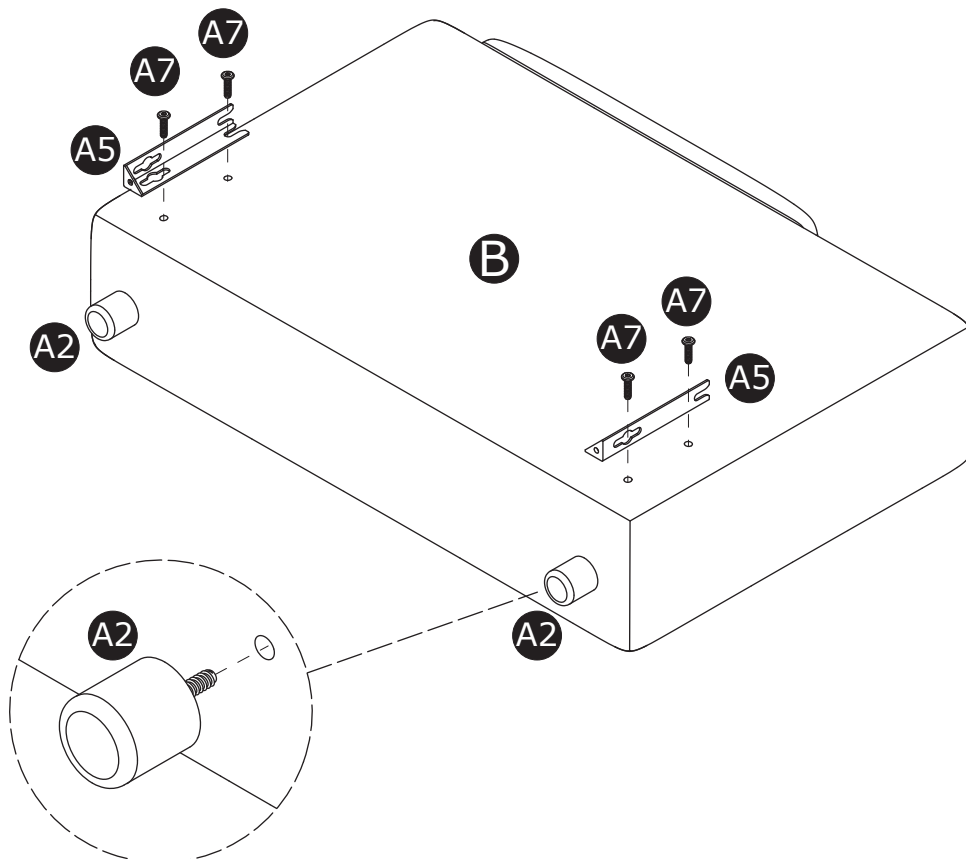


## STEP 8

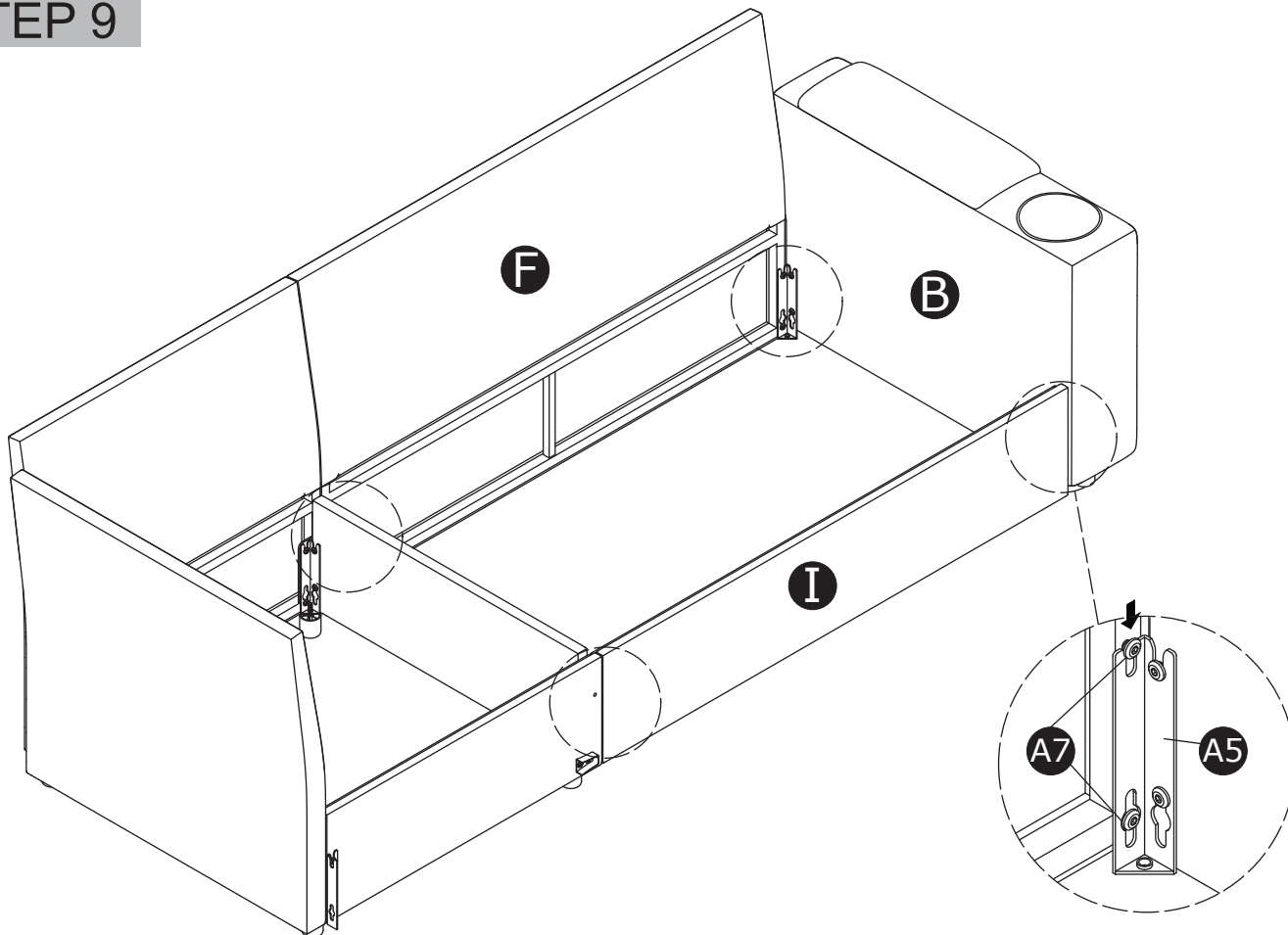
**A2** x2

**A5** x2

**A7** x4



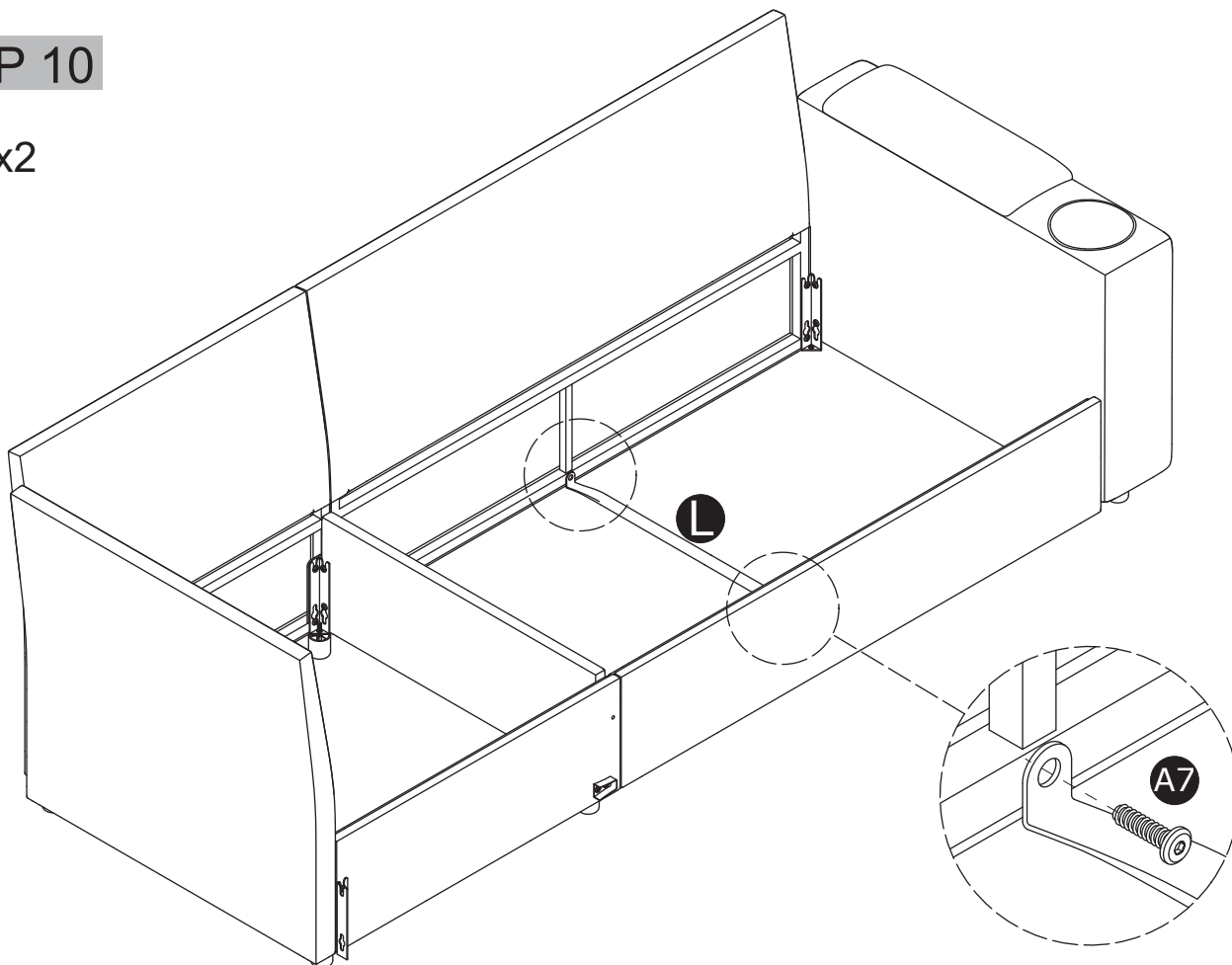
## STEP 9



Insert the screws "A7" into part "A5" and tighten them at this time

## STEP 10

**A7** x2

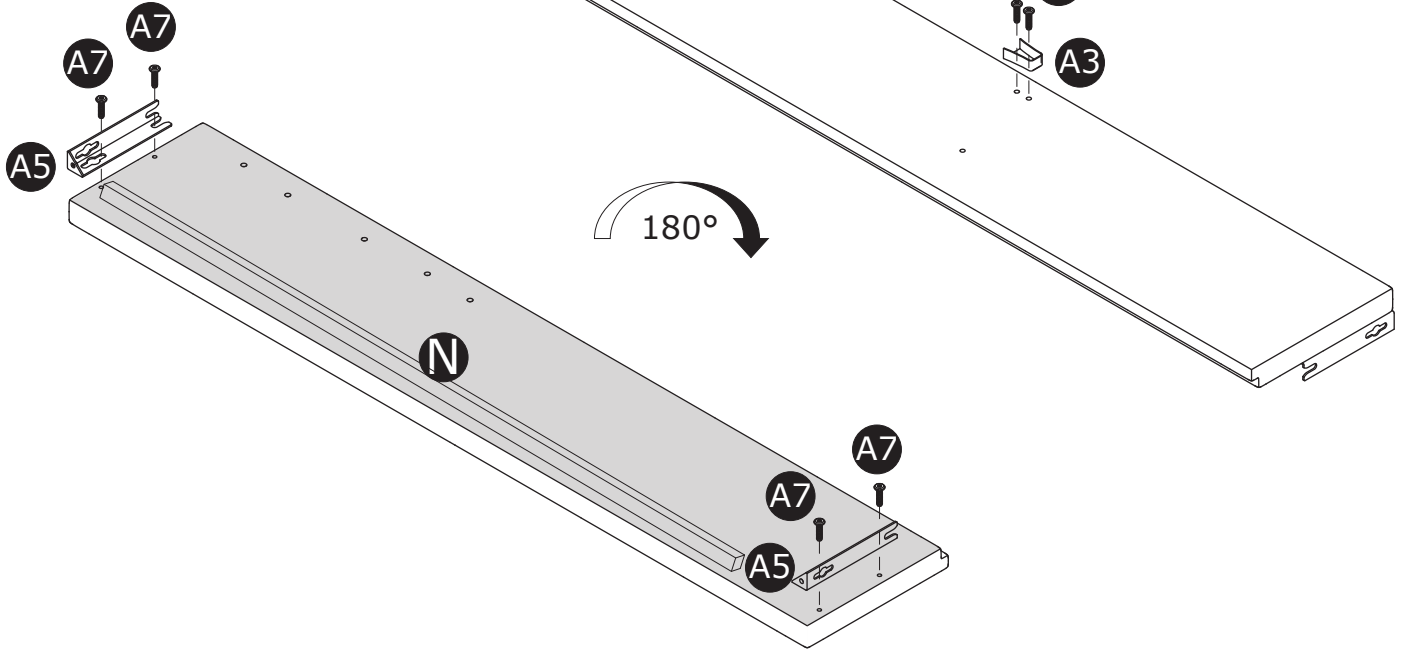


## STEP 11

A3 x1

A5 x3

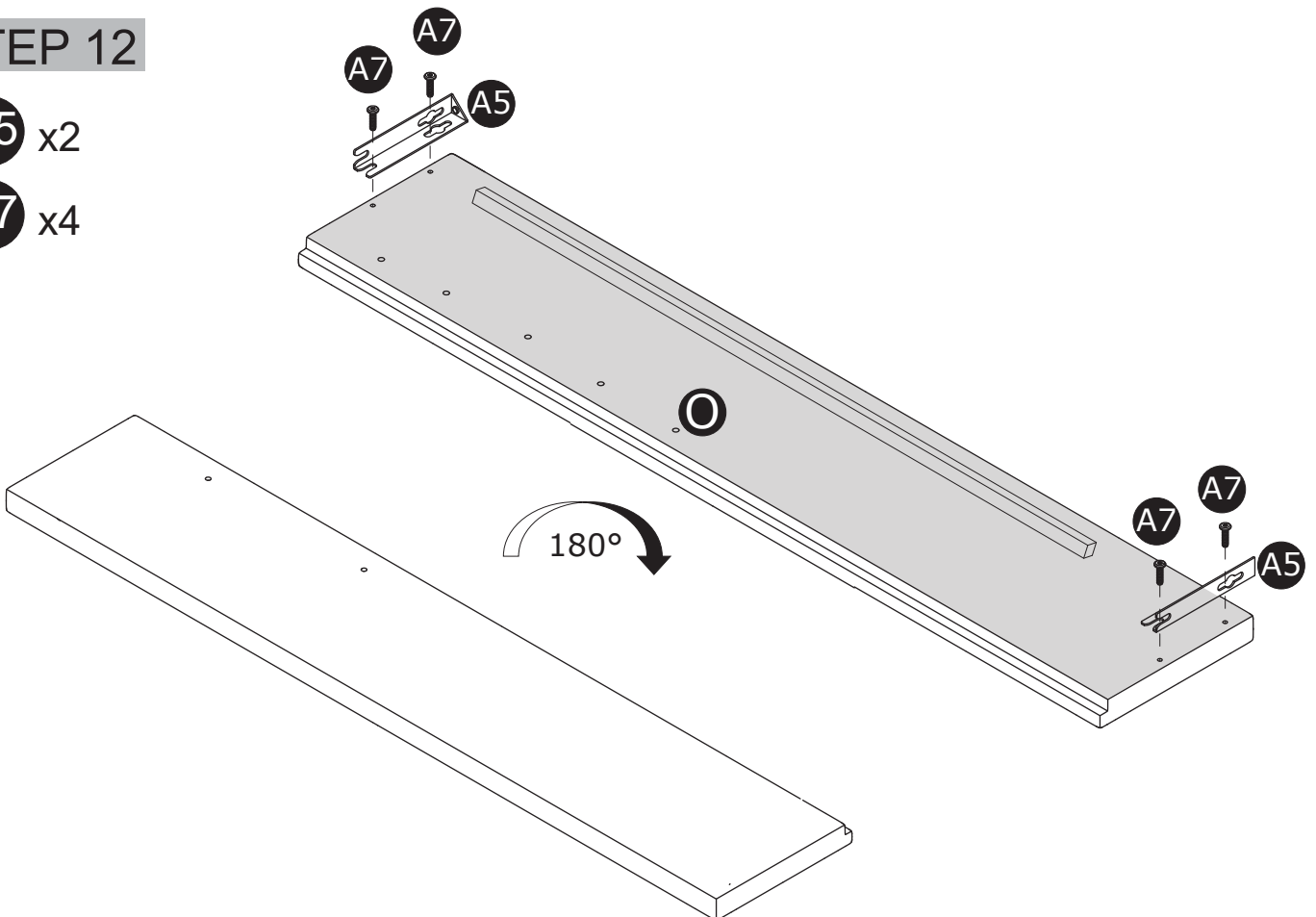
A7 x8



## STEP 12

A5 x2

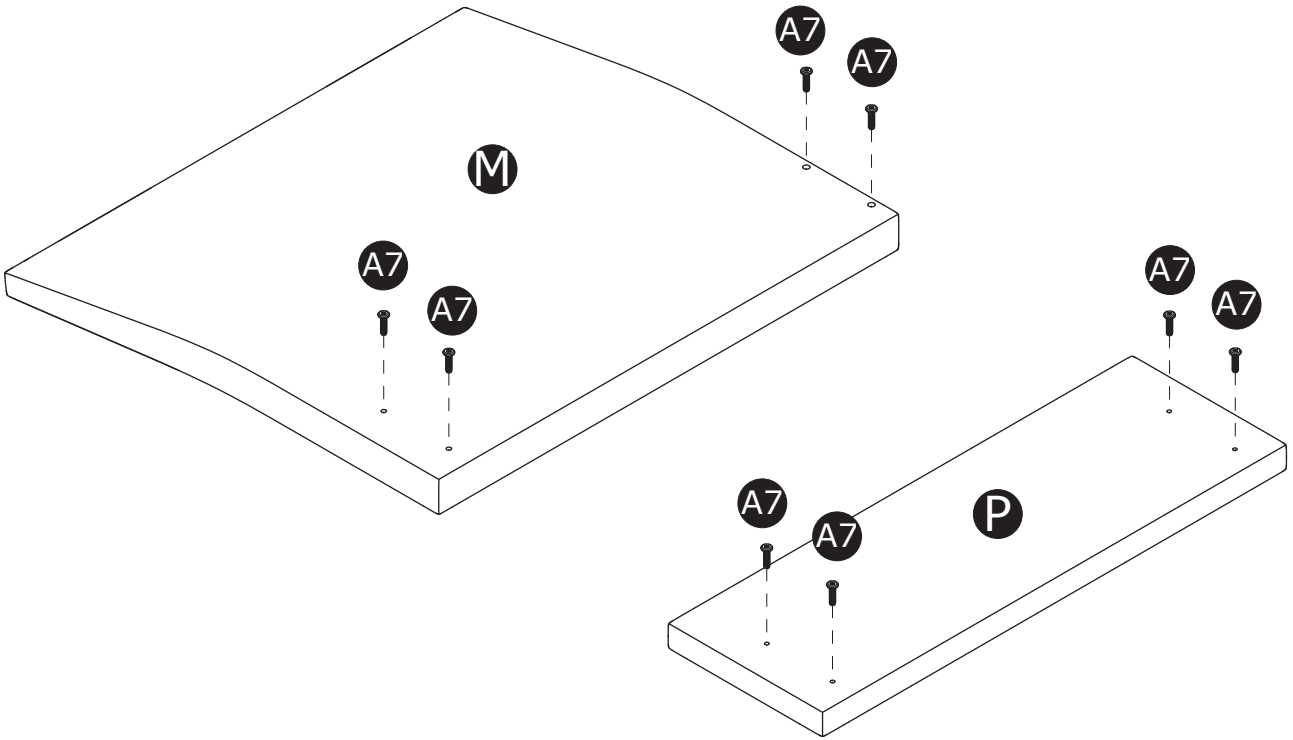
A7 x4



### STEP 13

Insert screws "A7" into part "M" & "P", but do not tighten fully at this time  
Insert the screws "A7" into part "A5" on STEP14 and tighten them at that time

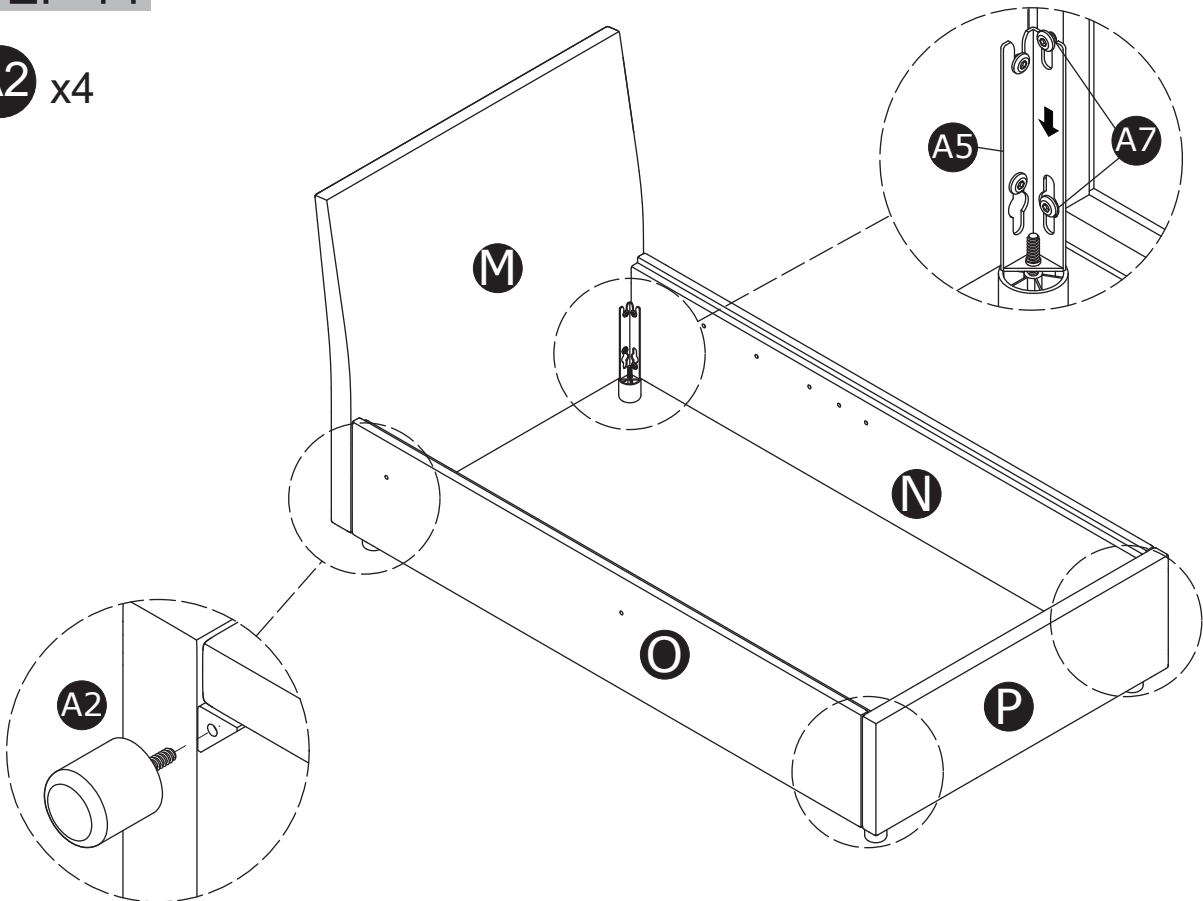
**A7** x8



### STEP 14

Insert the screws "A7" into part "A5" and tighten them at this time

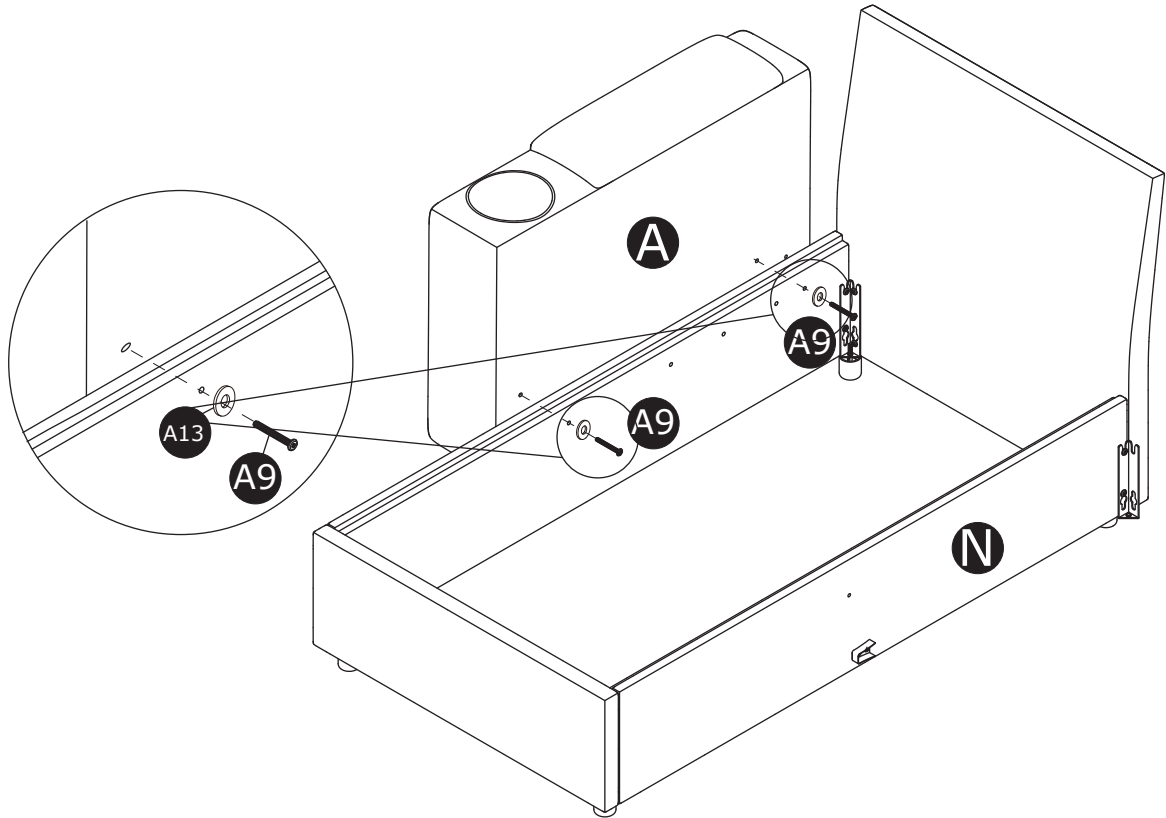
**A2** x4



## STEP 15

**A9** x2

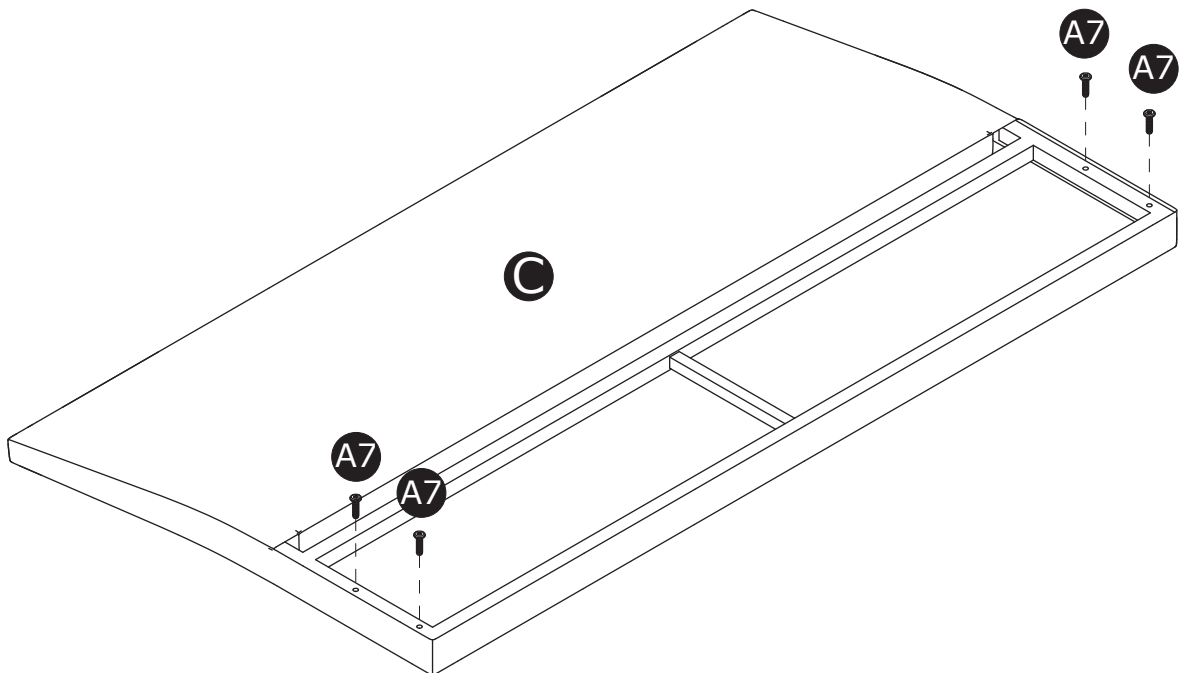
**A13** x2



## STEP 16

Insert screws "A7" into part "C", but do not tighten fully at this time  
Insert the screws "A7" into part "A5" on **STEP 17** and tighten them at that time

**A7** x4

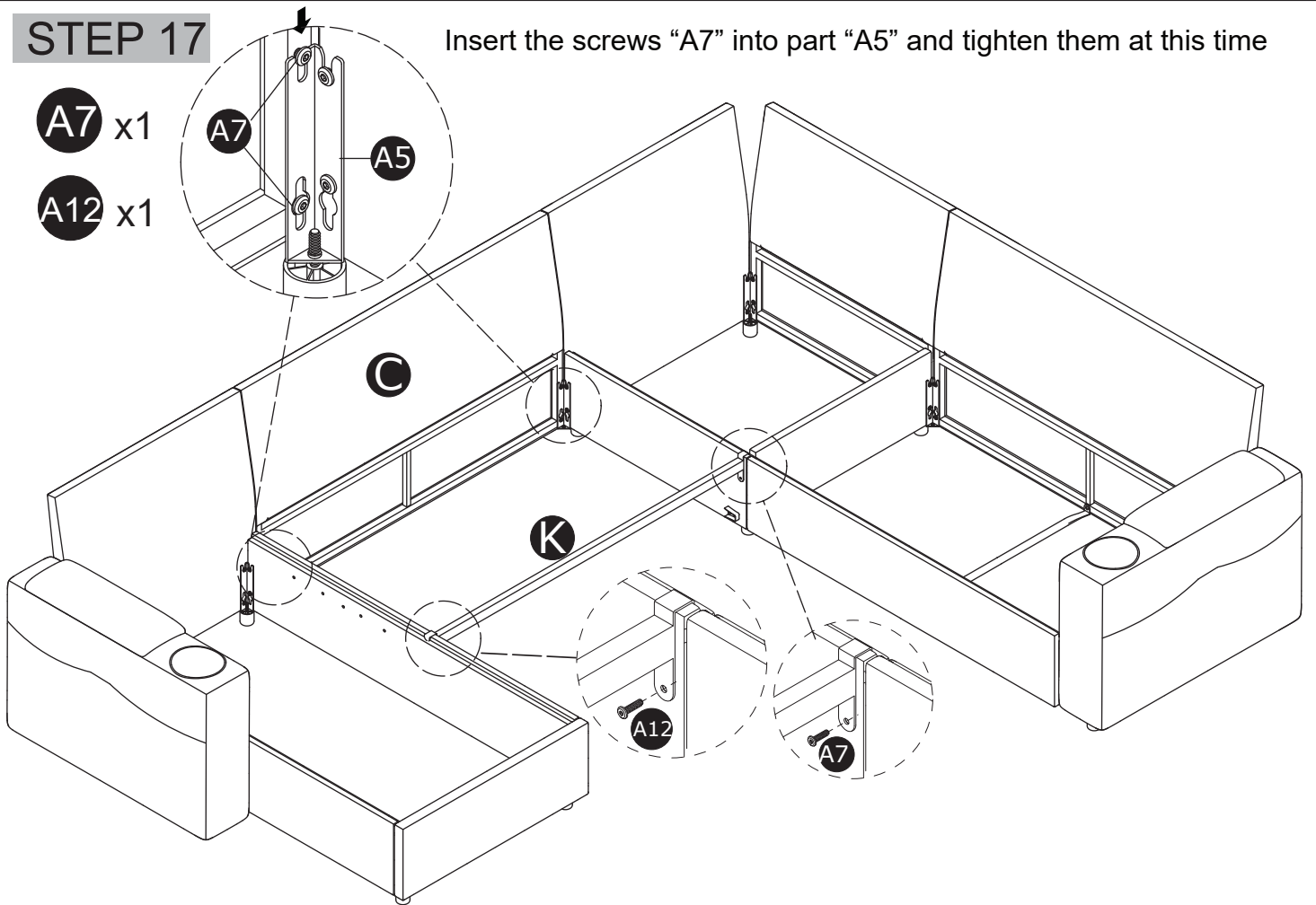


# STEP 17

Insert the screws "A7" into part "A5" and tighten them at this time

A7 x1

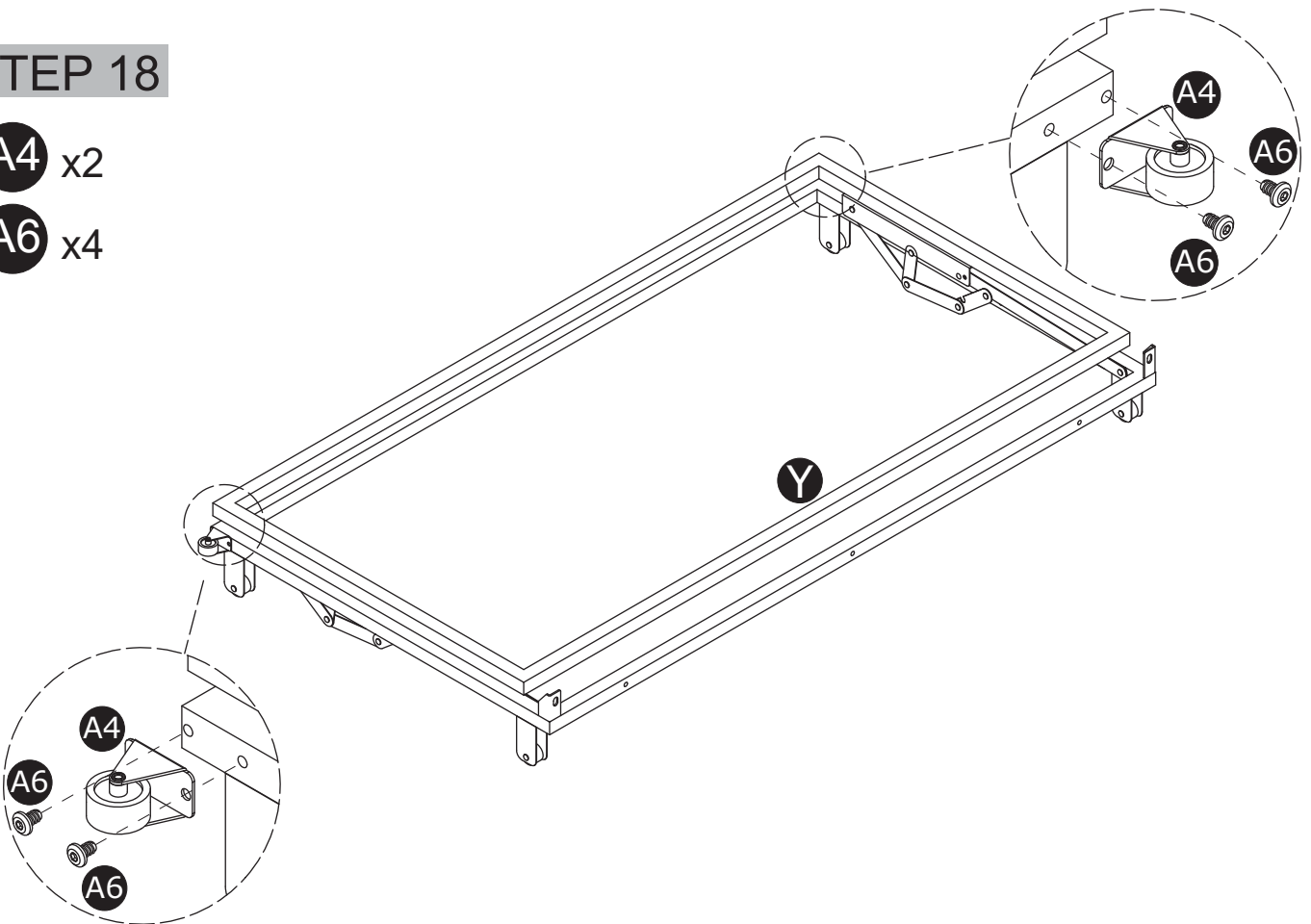
A12 x1



# STEP 18

A4 x2

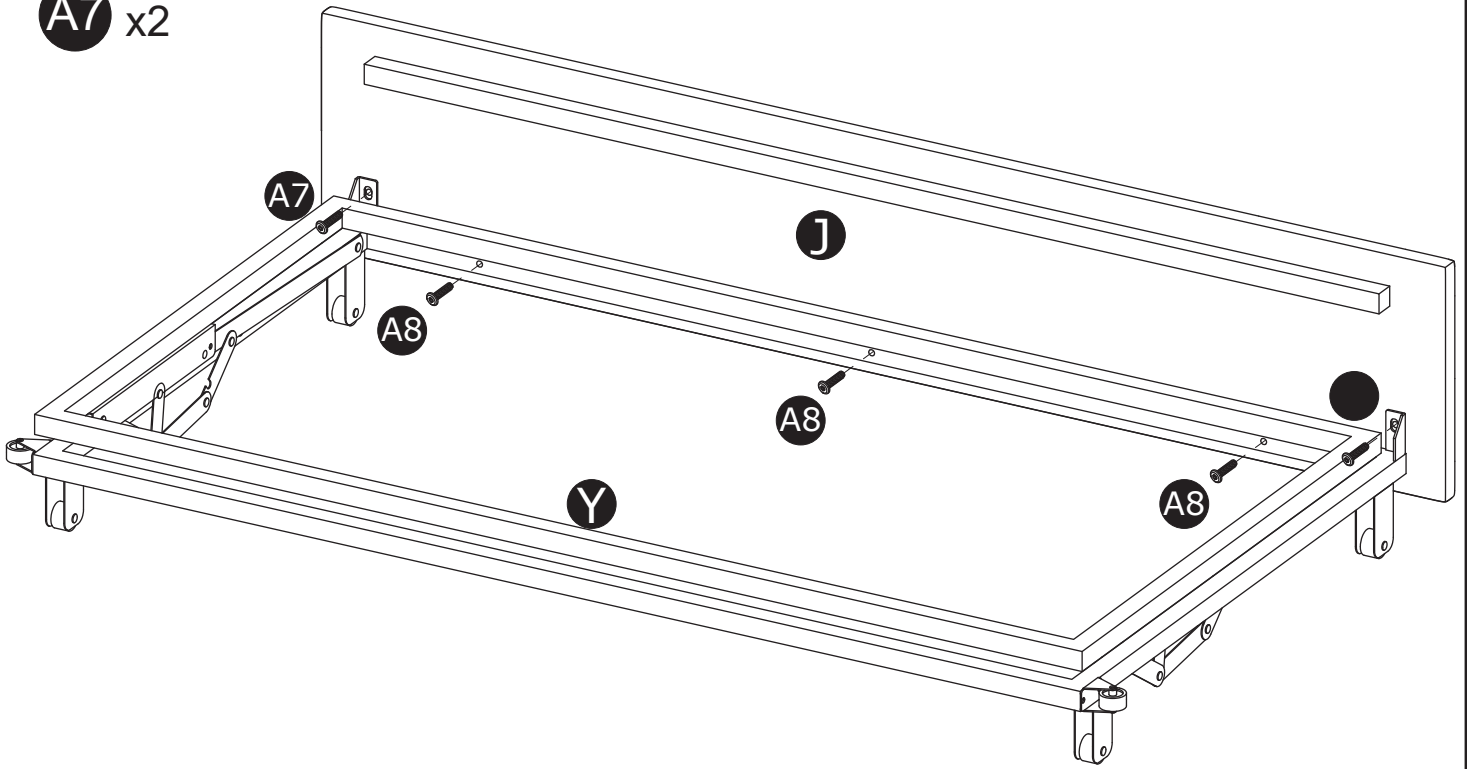
A6 x4



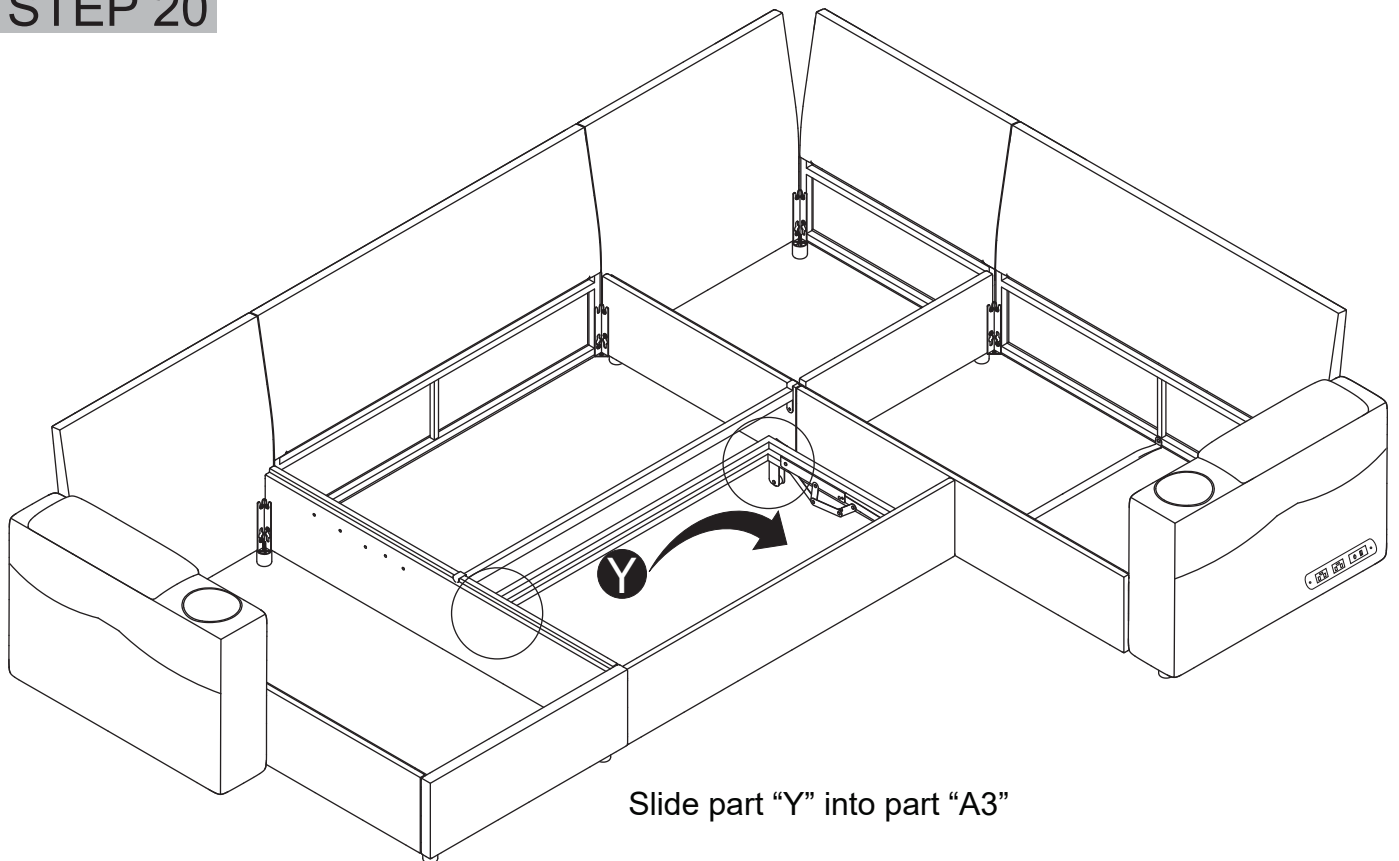
# STEP 19

A8 x3

A7 x2



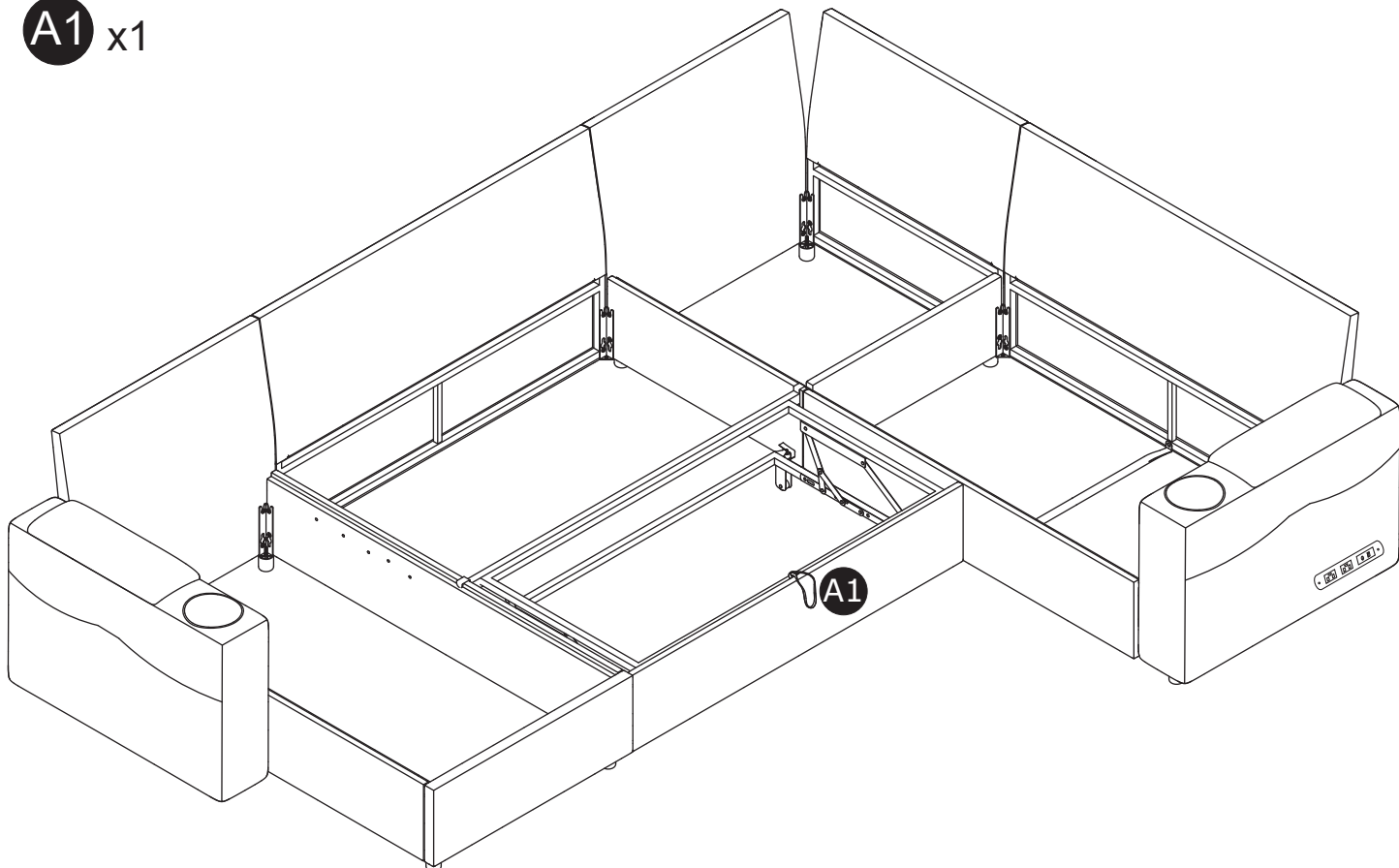
# STEP 20



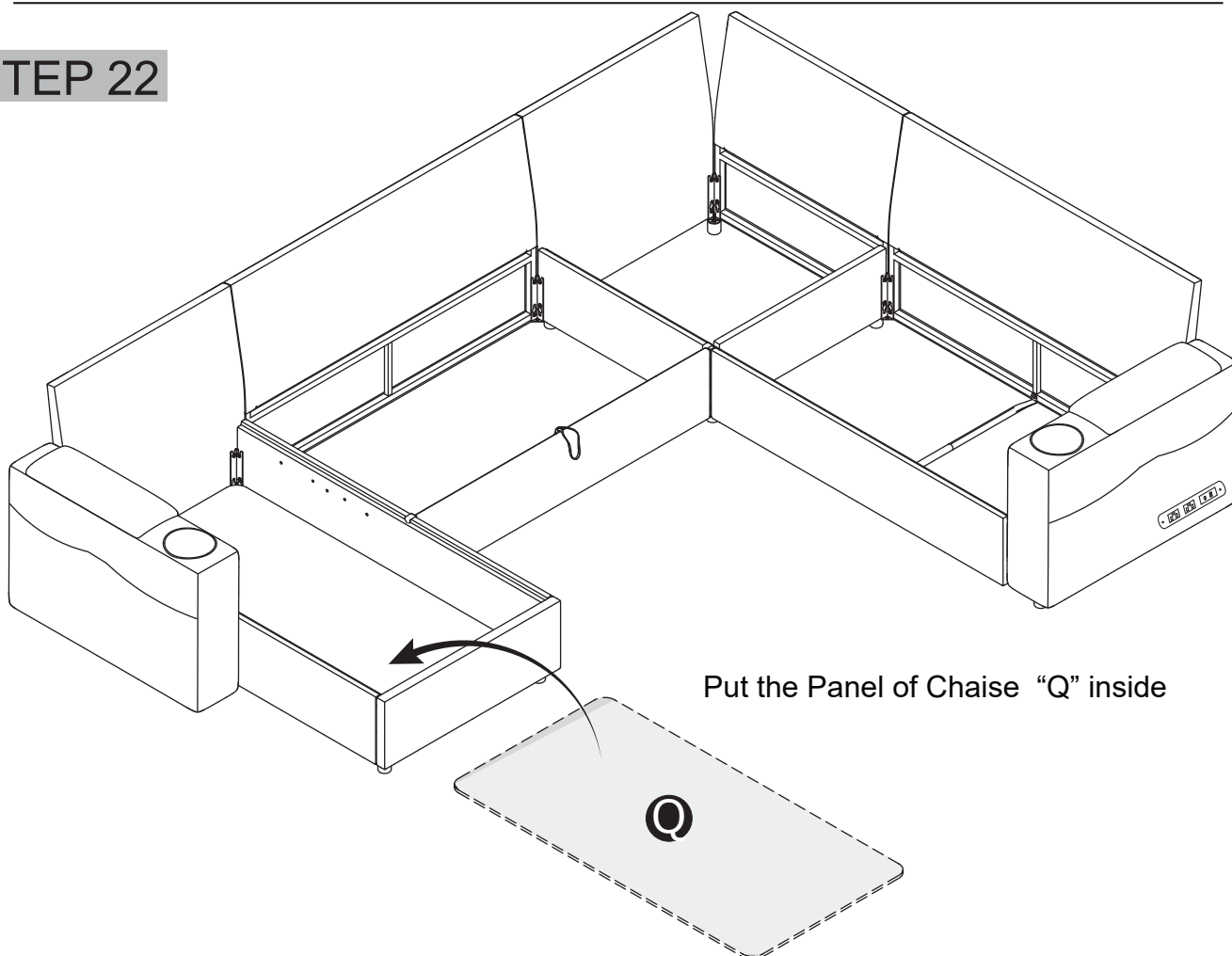
Slide part "Y" into part "A3"

## STEP 21

**A1** x1

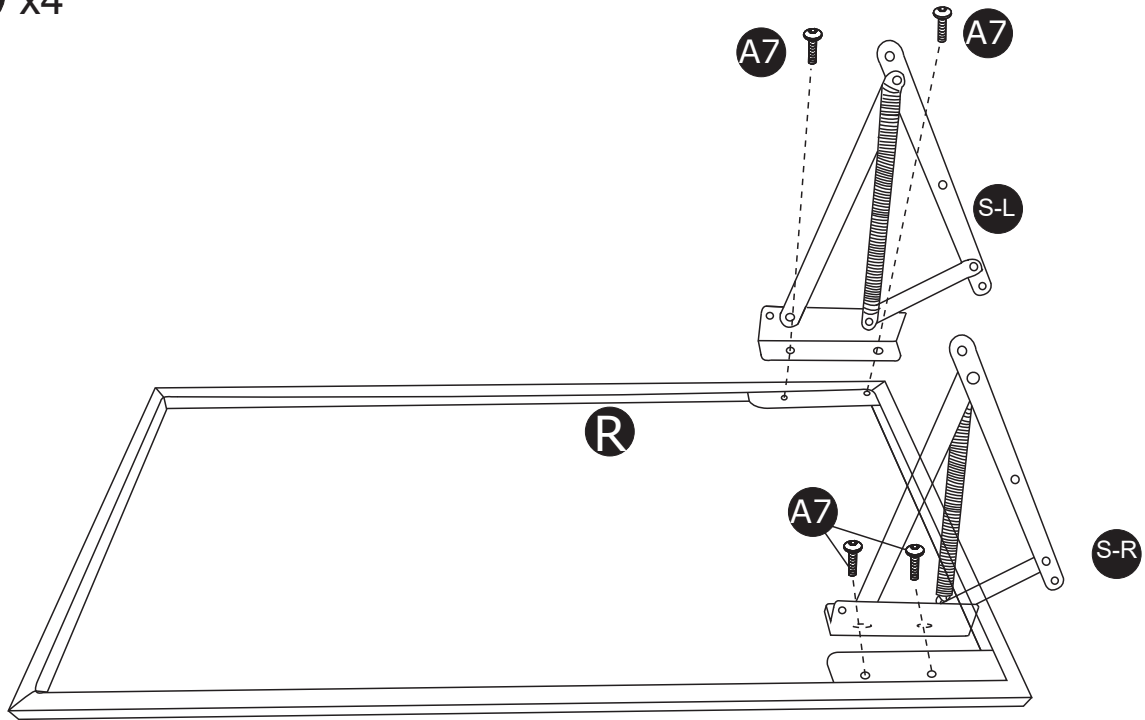


## STEP 22



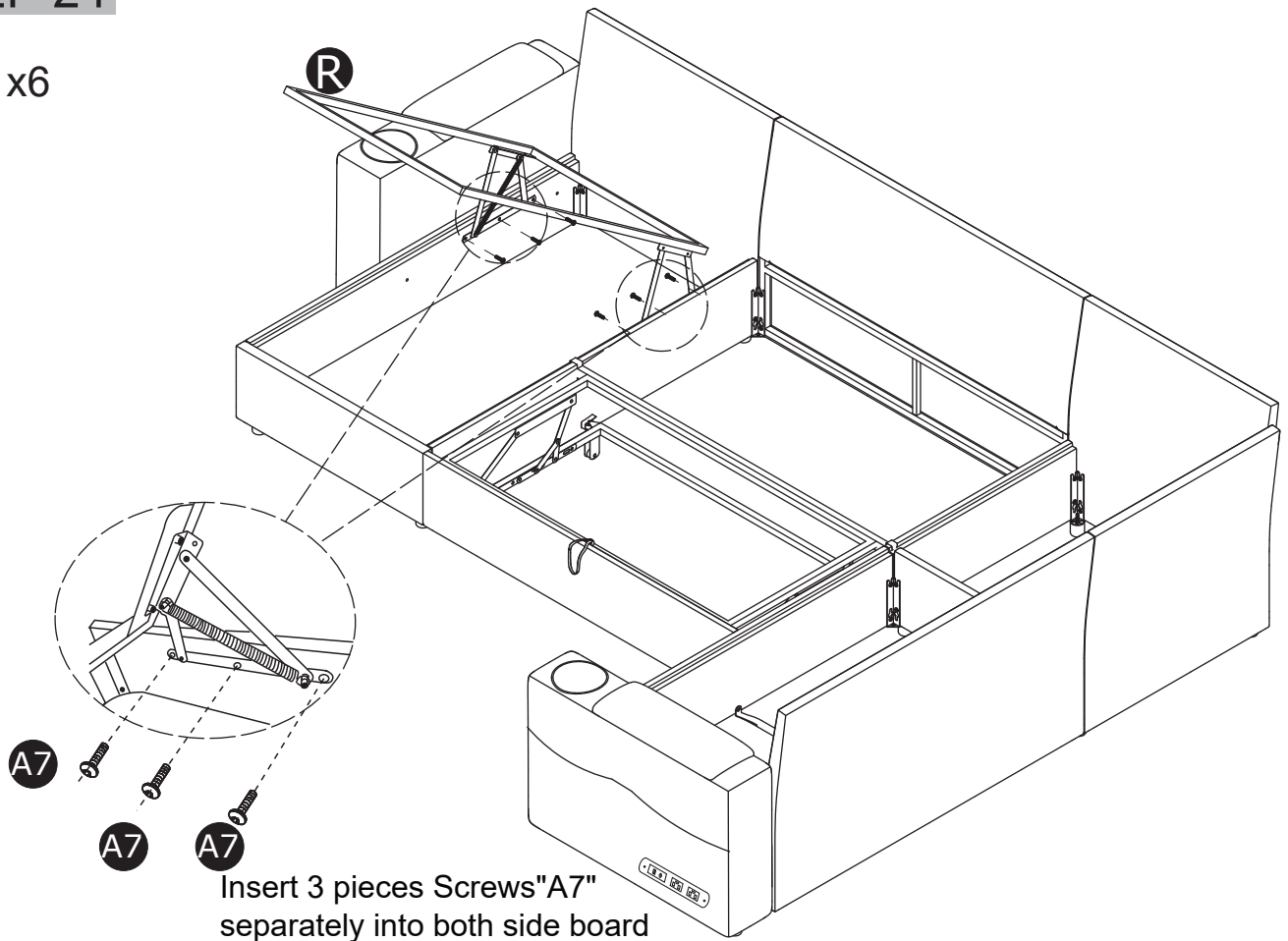
## STEP 23

**A7** x4



## STEP 24

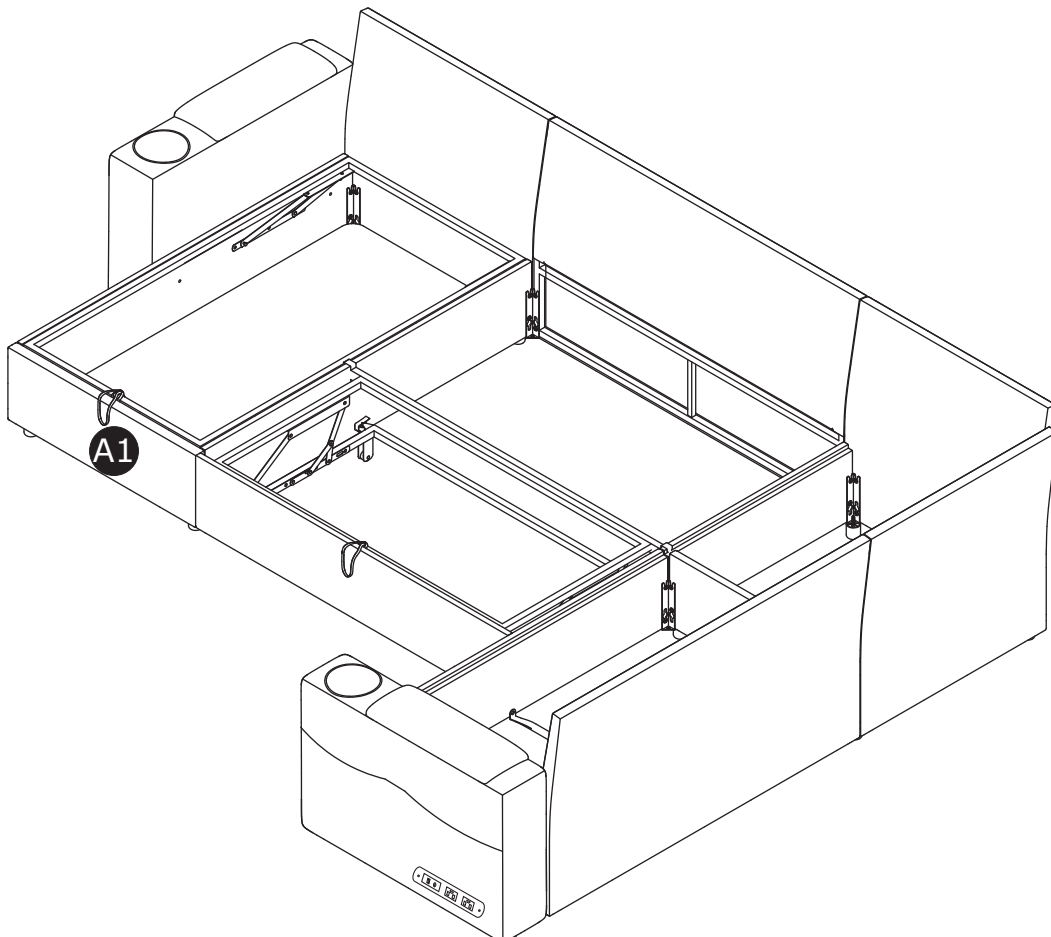
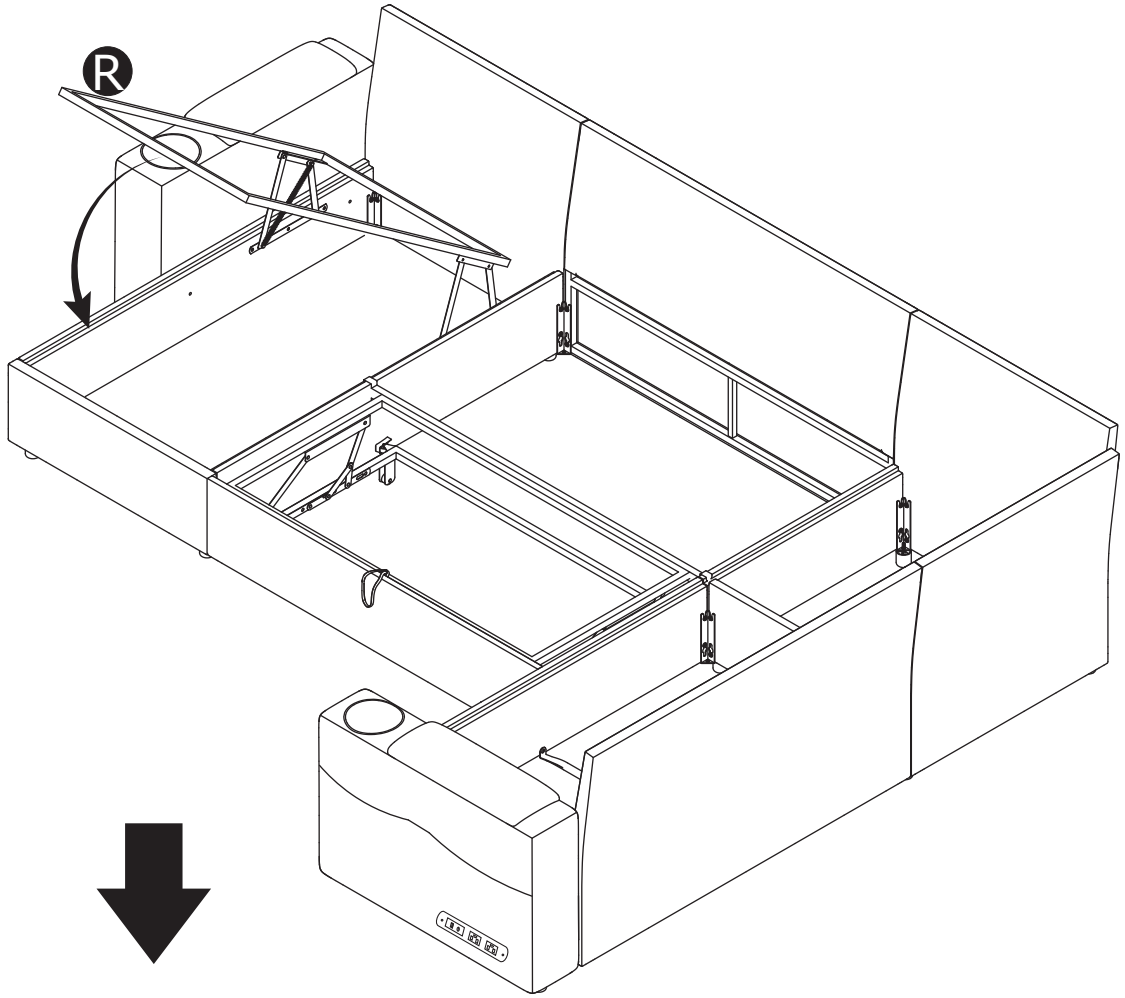
**A7** x6



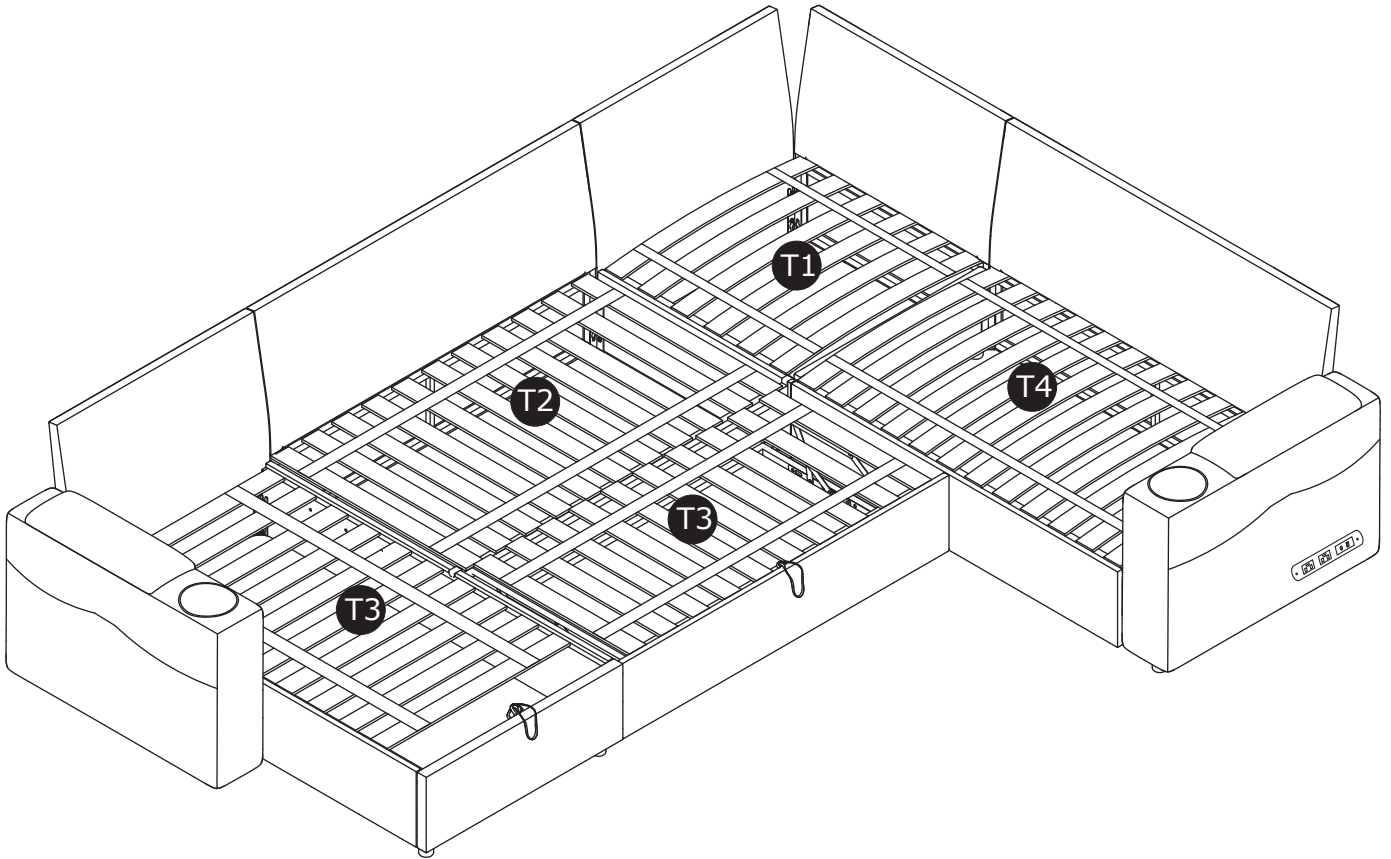
Insert 3 pieces Screws "A7"  
separately into both side board

# STEP 25

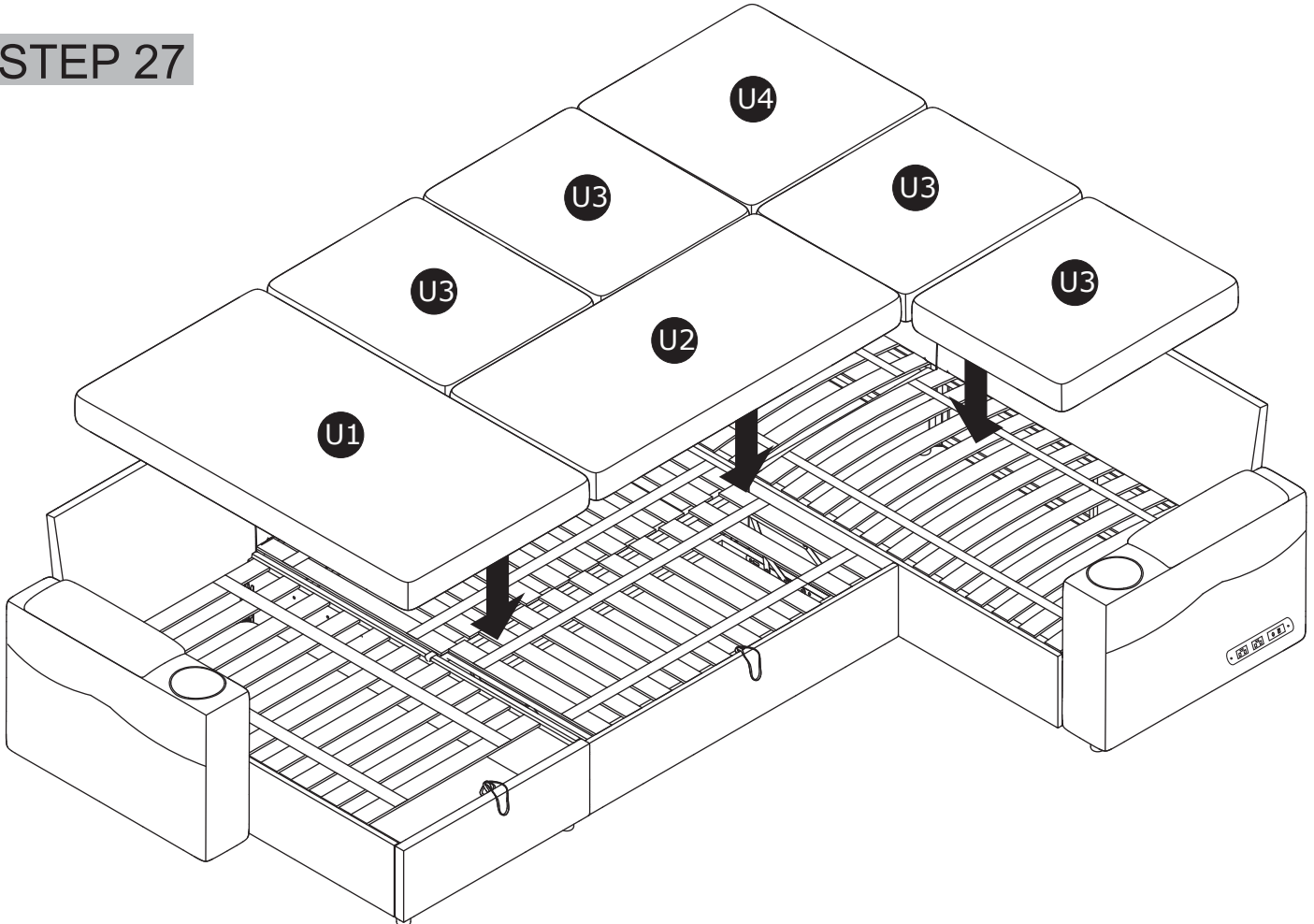
A1 x1



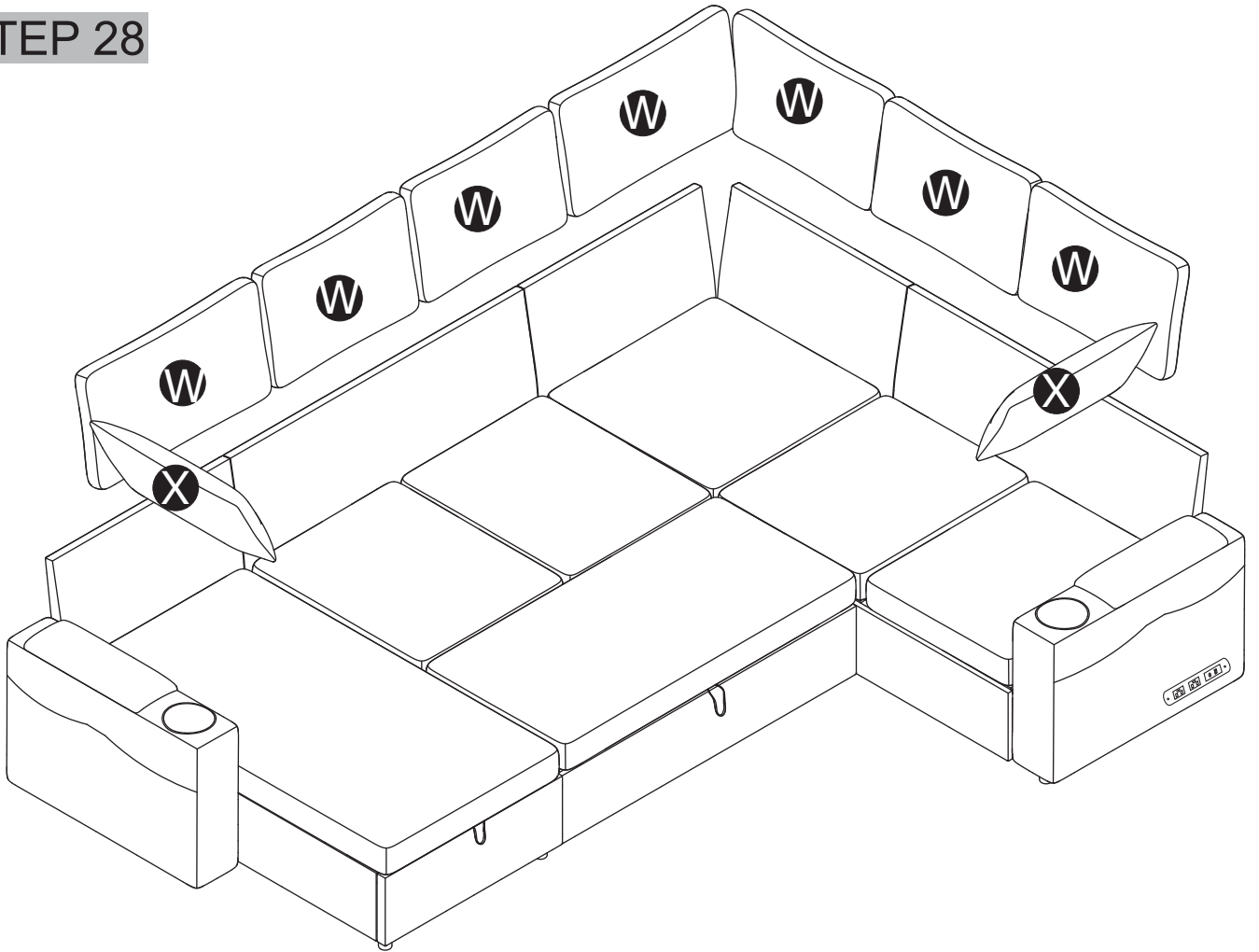
## STEP 26



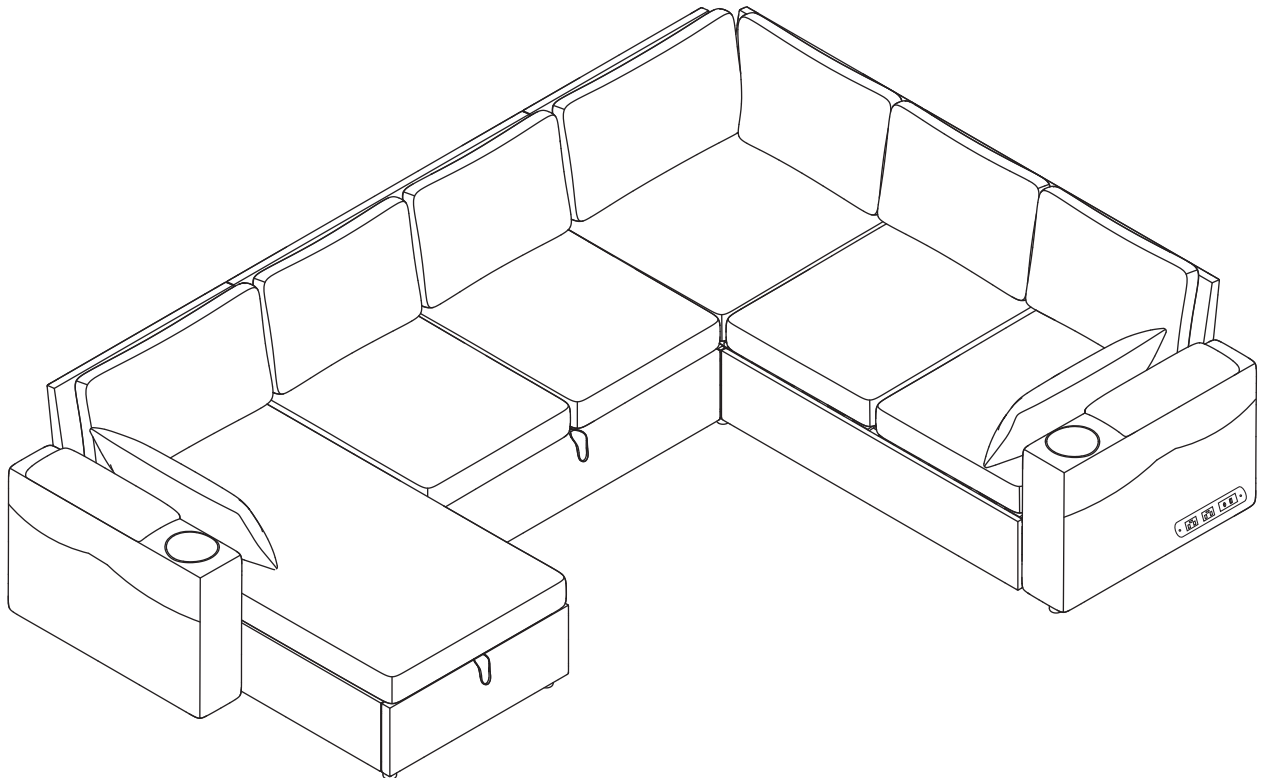
## STEP 27



## STEP 28



## STEP 29



The product has compression parts,  
Please pat them by hand and wait 72 hours, the cushions will be recover.