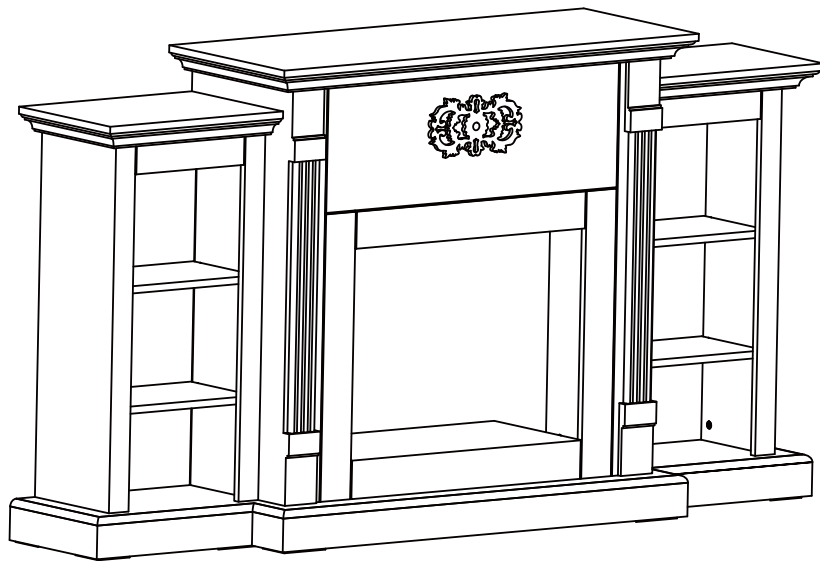
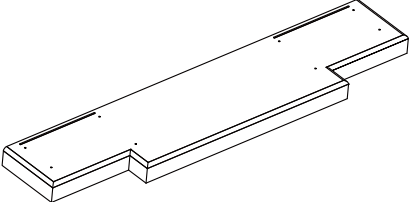
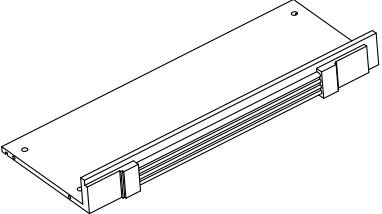
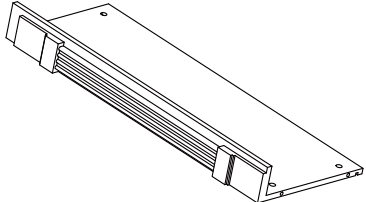
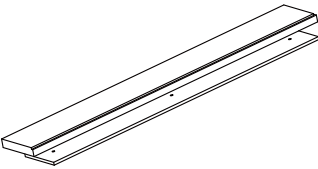
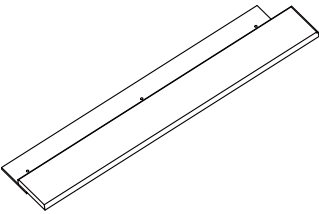
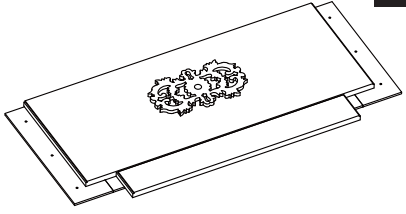
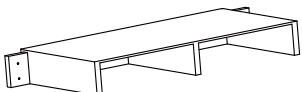
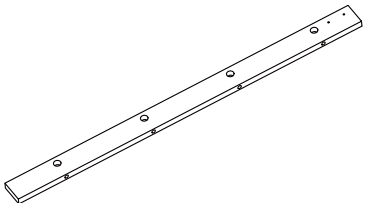
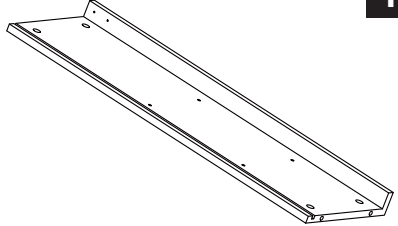
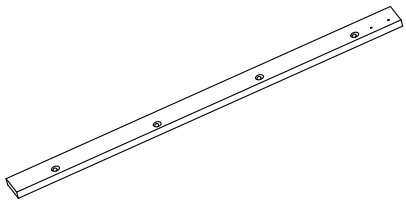
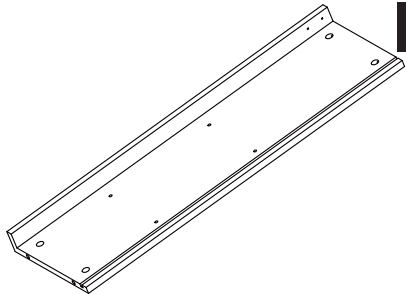
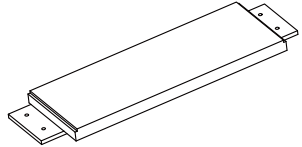
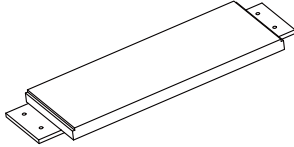
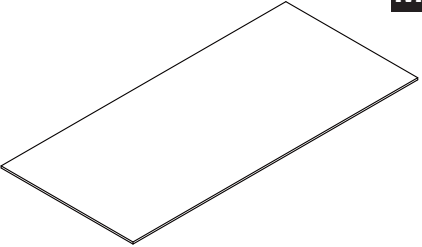
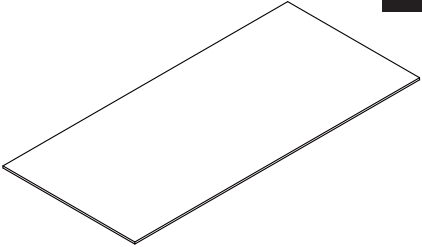


MANTEL



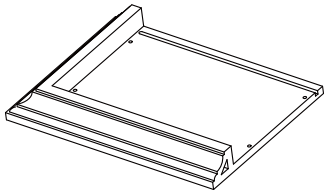
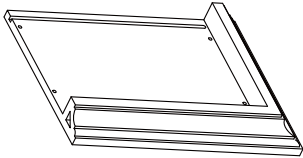
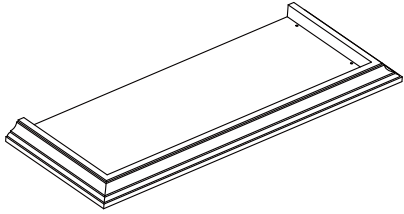
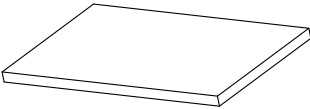
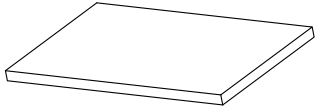
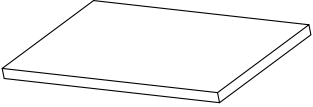
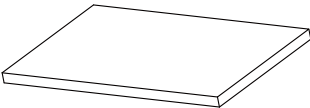
Note: This item has 2 cartons (Carton A and Carton B)
Carton A has Part A and Part G
Carton B has all other parts

PACKAGE CONTENTS

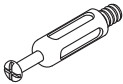
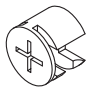
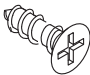
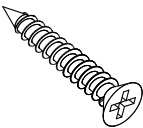

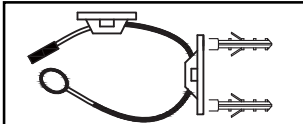















 A	 B	 C
 D	 E	 F
 G	 H	 I
 J	 K	 L1
 L2	 M1	 M2

Note: This item has 2 cartons (Carton A and Carton B)
 Carton A has Part A and Part G
 Carton B has all other parts

PACKAGE CONTENTS

 <p>N</p>	 <p>O</p>	 <p>P</p>
 <p>Q1</p>	 <p>Q2</p>	 <p>Q3</p>
 <p>Q4</p>		

HARDWARE CONTENTS

<p>AA</p>  <p>Bolt Qty. 28</p>	<p>BB</p>  <p>Metal Connector Qty.28</p>	<p>CC</p>  <p>Screw M4x16 Qty. 20</p>	<p>DD</p>  <p>Screw M4x25 Qty. 4</p>	<p>EE</p>  <p>Shelf Pin Qty. 16</p>	<p>SS</p>  <table border="0"> <tr> <td>MOUNTING BRACKET</td> <td>2</td> <td></td> </tr> <tr> <td>ANCHOR</td> <td>2</td> <td></td> </tr> <tr> <td>NYLON STRAP</td> <td>1</td> <td></td> </tr> <tr> <td>FLAT HEAD SCREW (4*35MM)</td> <td>4</td> <td></td> </tr> <tr> <td>FLAT HEAD SCREW (4*15MM)</td> <td>4</td> <td></td> </tr> </table> <p>Safety Chain Qty. 1</p>	MOUNTING BRACKET	2		ANCHOR	2		NYLON STRAP	1		FLAT HEAD SCREW (4*35MM)	4		FLAT HEAD SCREW (4*15MM)	4	
MOUNTING BRACKET	2																			
ANCHOR	2																			
NYLON STRAP	1																			
FLAT HEAD SCREW (4*35MM)	4																			
FLAT HEAD SCREW (4*15MM)	4																			

PACKAGE CONTENTS

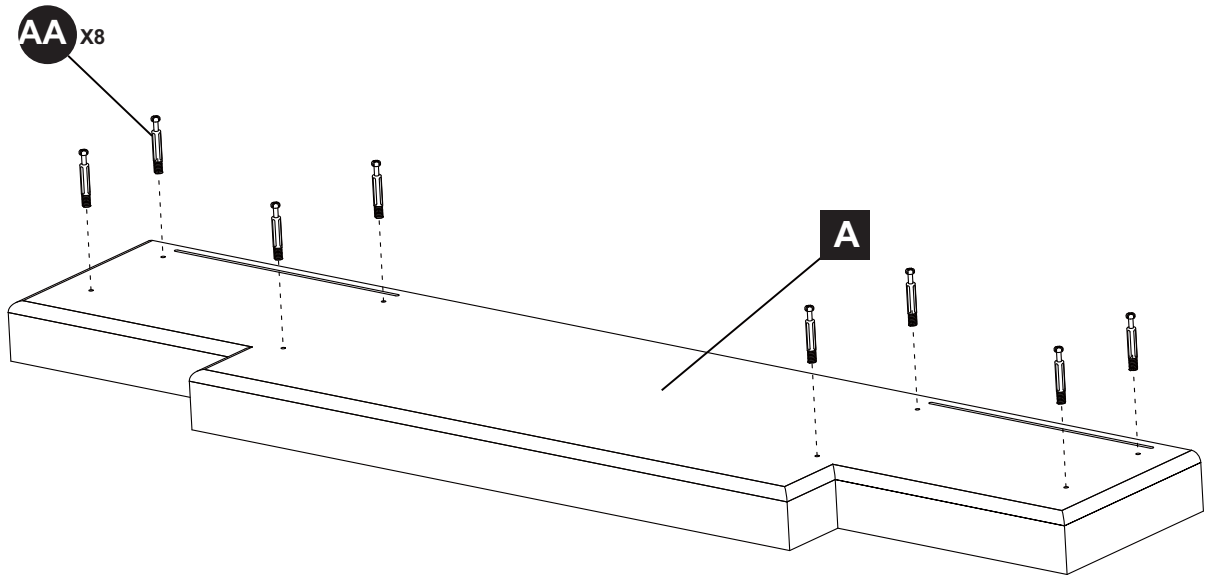
PART	DESCRIPTION	QTY.	CARTON NO.
A	Base	1	Carton A
B	Right Inner Panel	1	Carton B
C	Left Inner Panel	1	Carton B
D	Right Shelf Rail	1	Carton B
E	Left Shelf Rail	1	Carton B
F	Shelf Rail	1	Carton B
G	Lower Back Panel	1	Carton A
H	Right Trim Panel	1	Carton B
I	Right Side Panel	1	Carton B
J	Left Trim Panel	1	Carton B
K	Left Side Panel	1	Carton B
L1	Top Shelf	1	Carton B
L2	Top Shelf	1	Carton B
M1	Back Panel	1	Carton B
M2	Back Panel	1	Carton B
N	Right Top Panel	1	Carton B
O	Left Top Panel	1	Carton B
P	Top Panel	1	Carton B
Q1	Adjustable Shelf	1	Carton B
Q2	Adjustable Shelf	1	Carton B
Q3	Adjustable Shelf	1	Carton B
Q4	Adjustable Shelf	1	Carton B
AA	Bolt	28	Carton B
BB	Metal Connector	28	Carton B
CC	Screw M4x16	20	Carton B
DD	Screw M4x25	4	Carton B
EE	Shelf Pin	16	Carton B
SS	Safety Chain	1	

Some parts and specifications may change without notice.

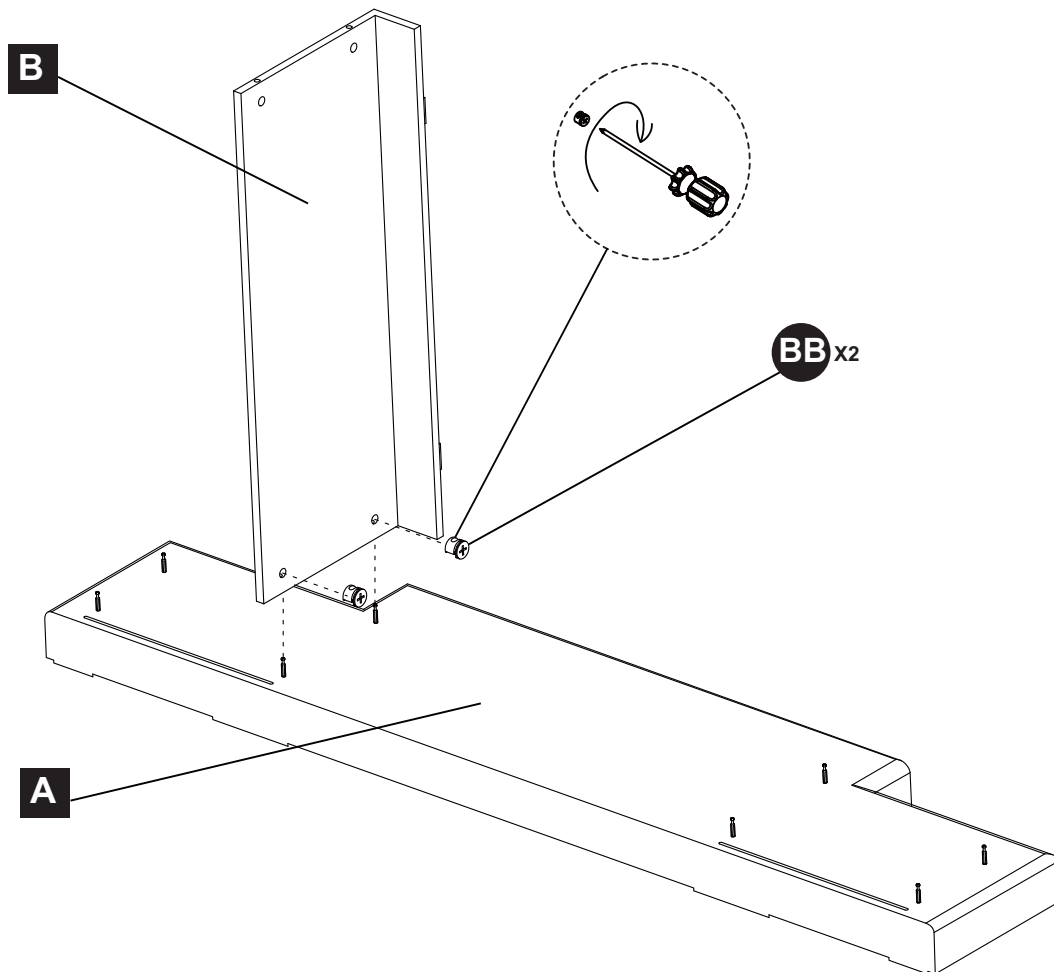
Carefully remove all pieces from the carton and make sure that you have all parts listed (refer to parts list on page 2-4).

PACKAGE STEPS

1.

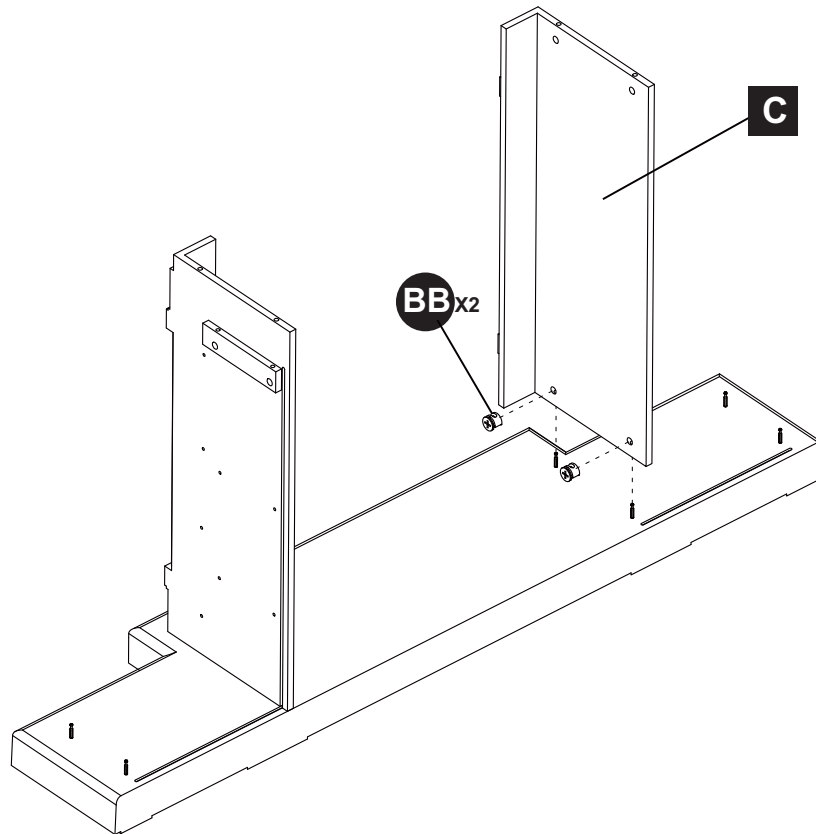


2.

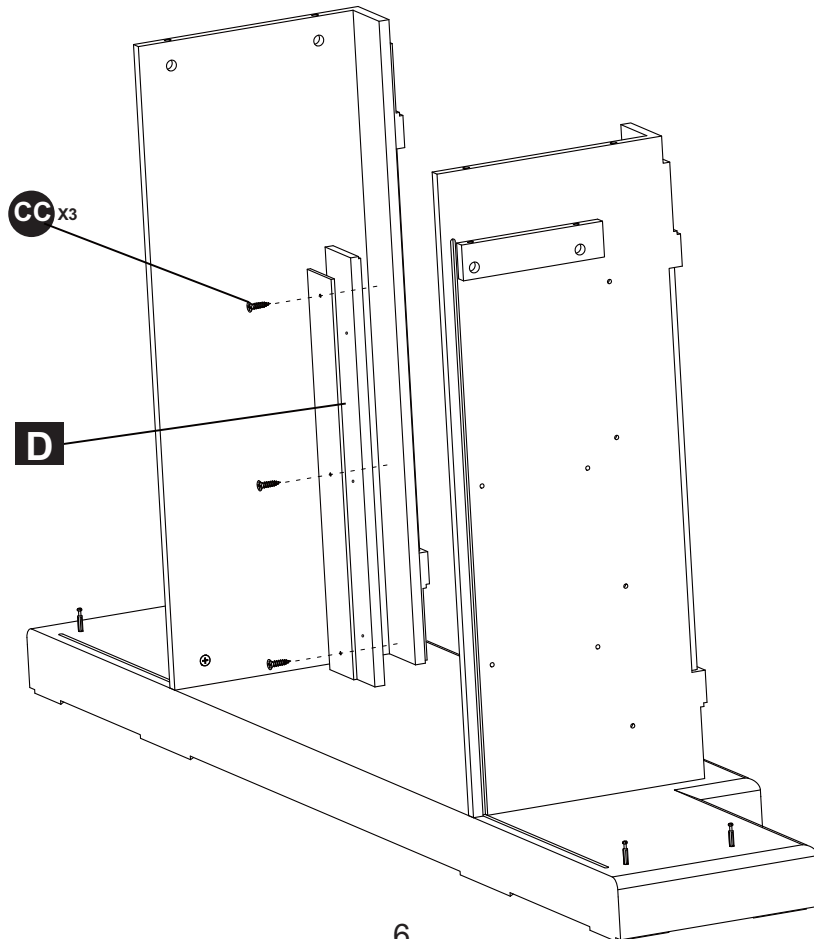


PACKAGE STEPS

3.

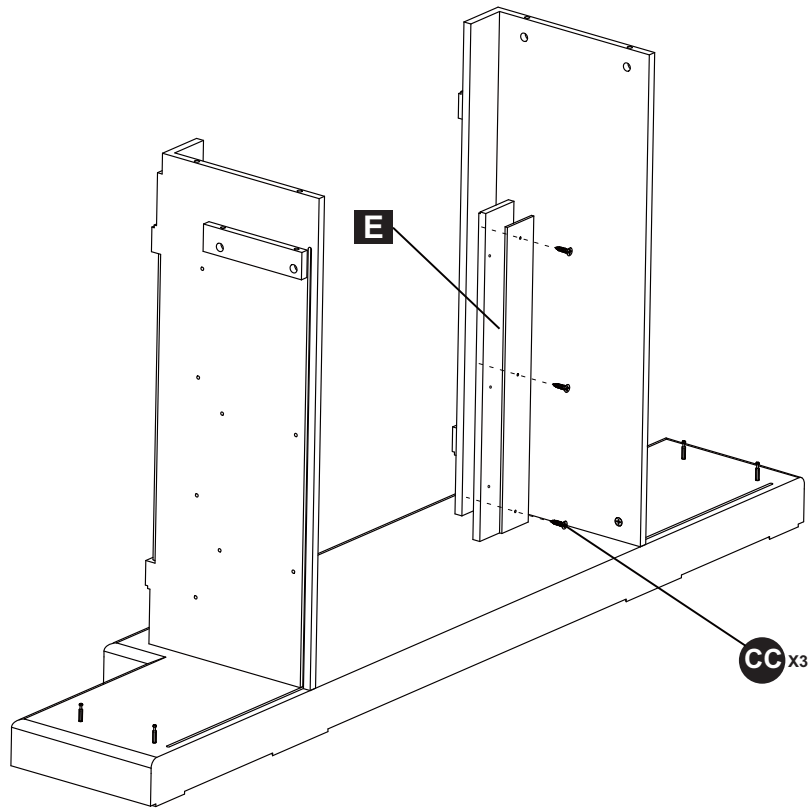


4.

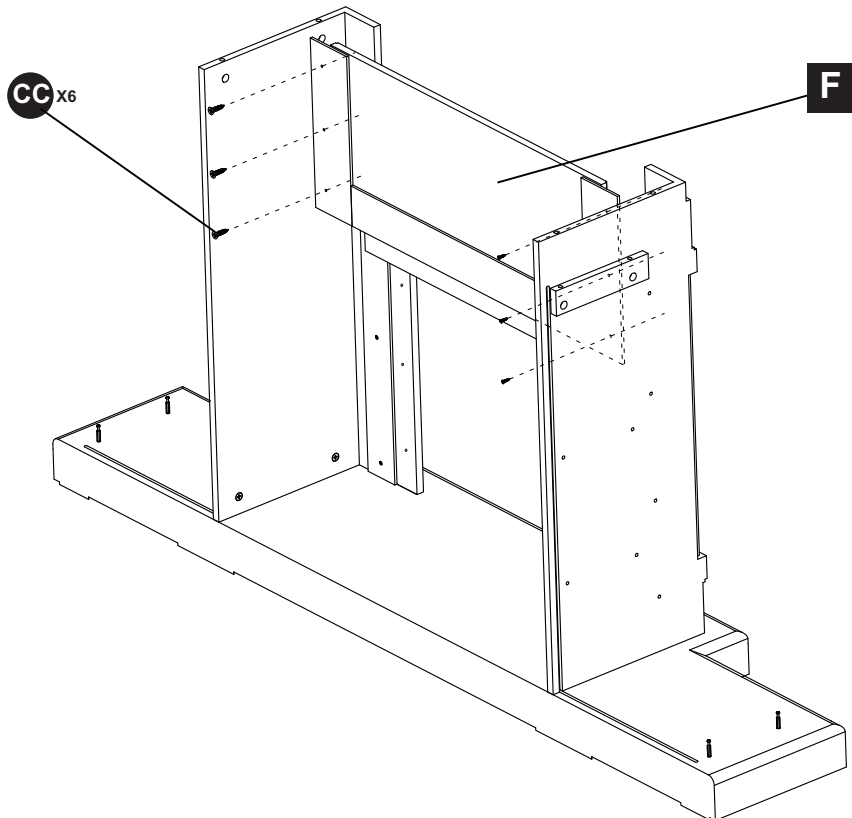


PACKAGE STEPS

5.

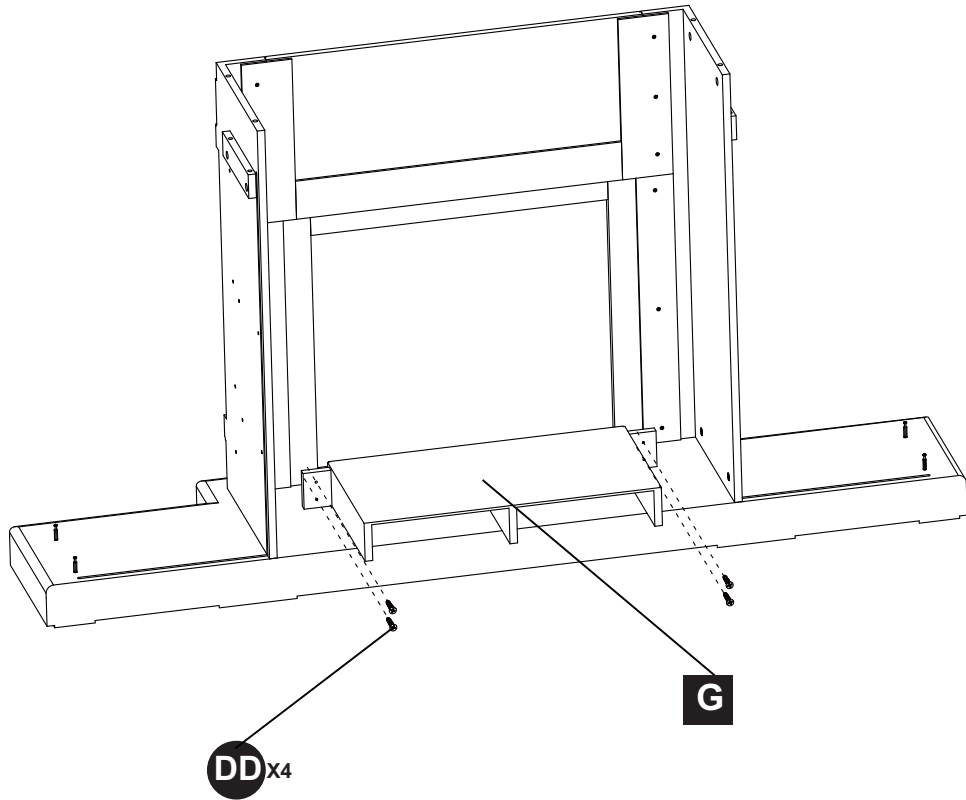


6.

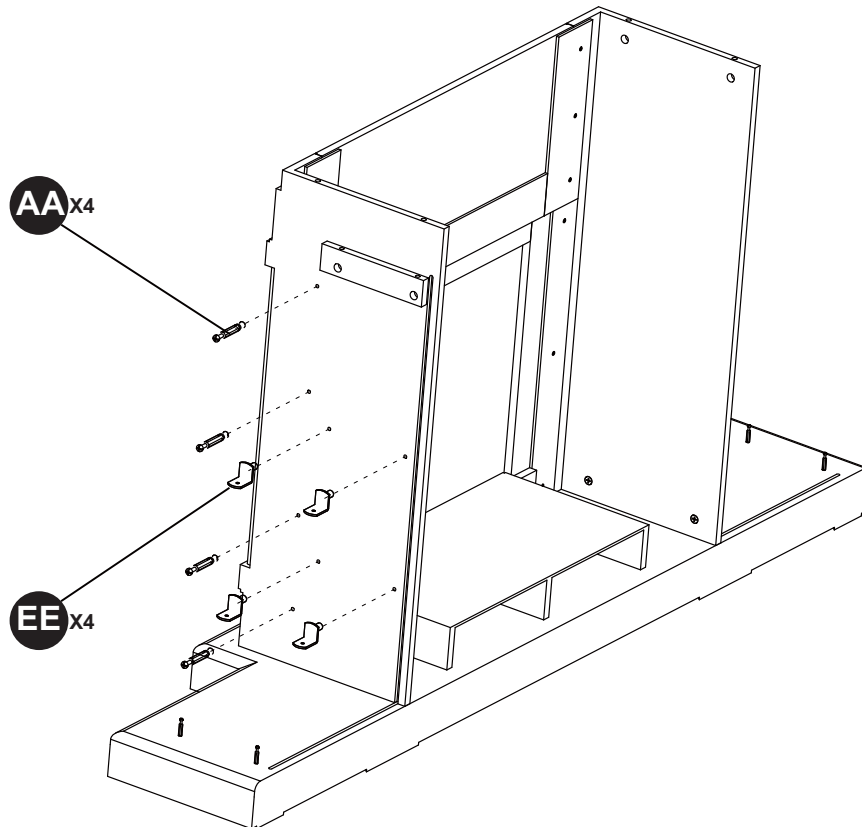


PACKAGE STEPS

7.

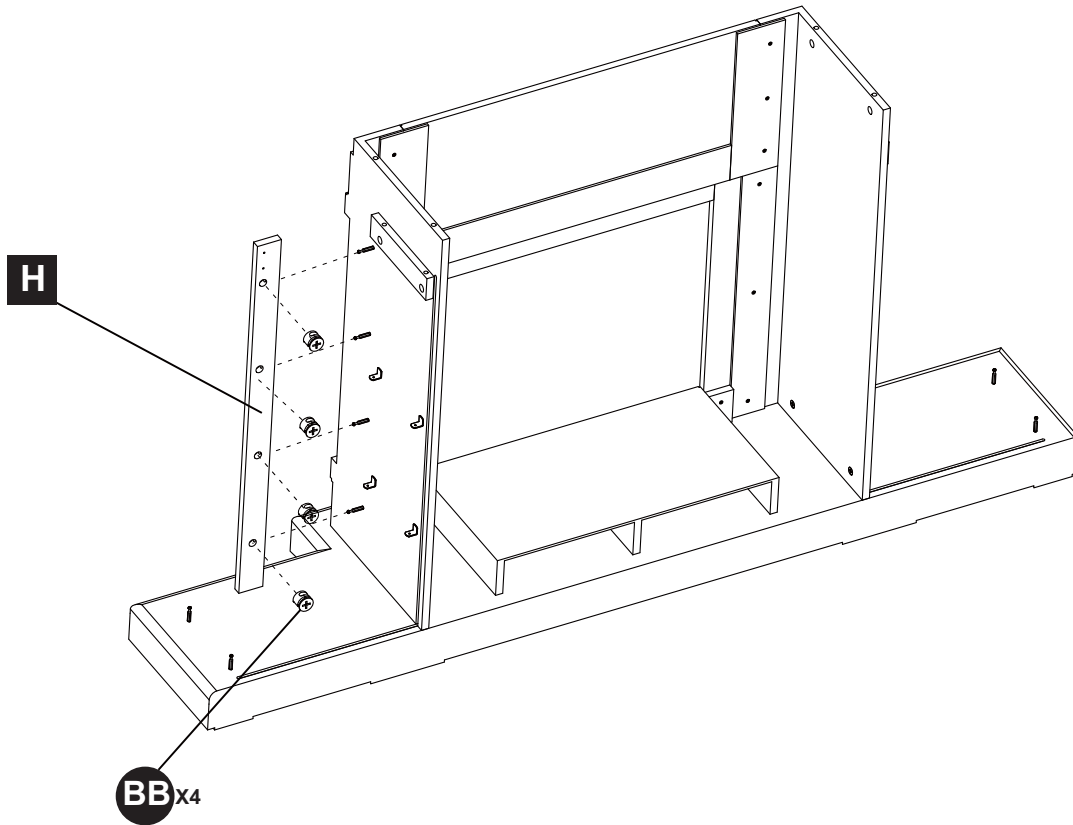


8.

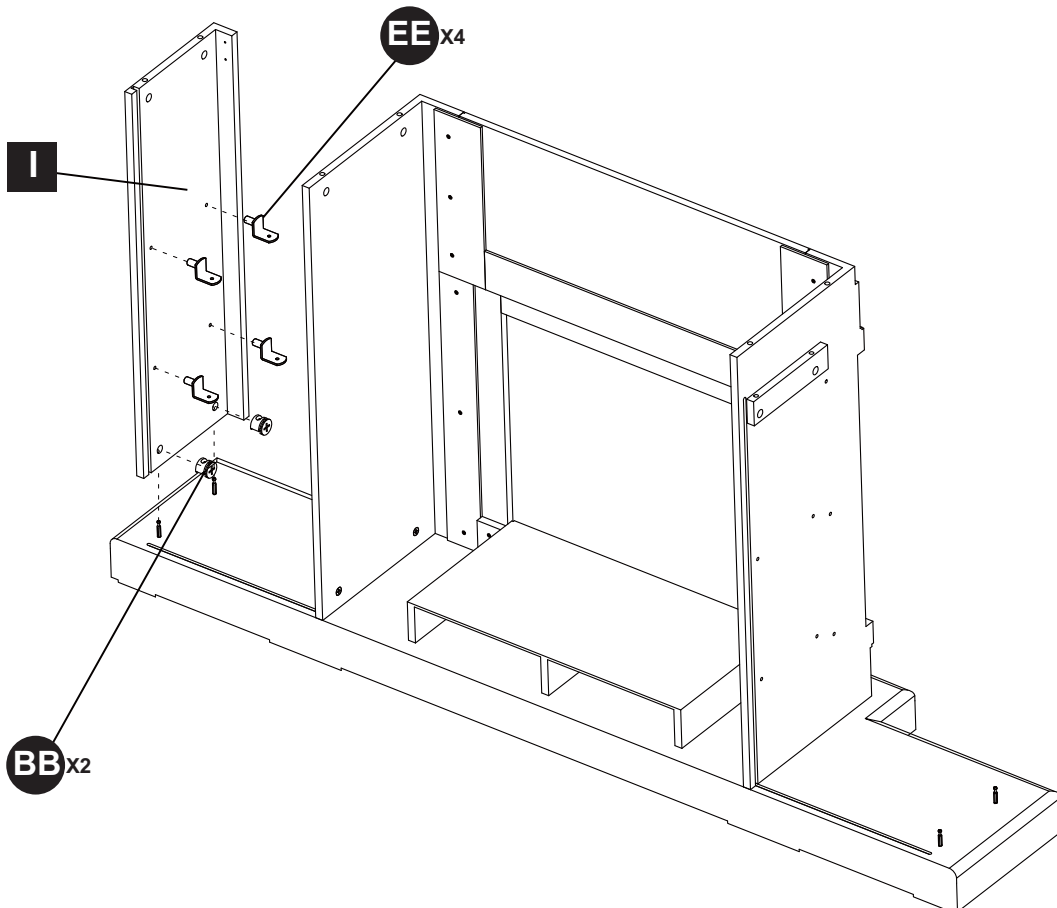


PACKAGE STEPS

9.

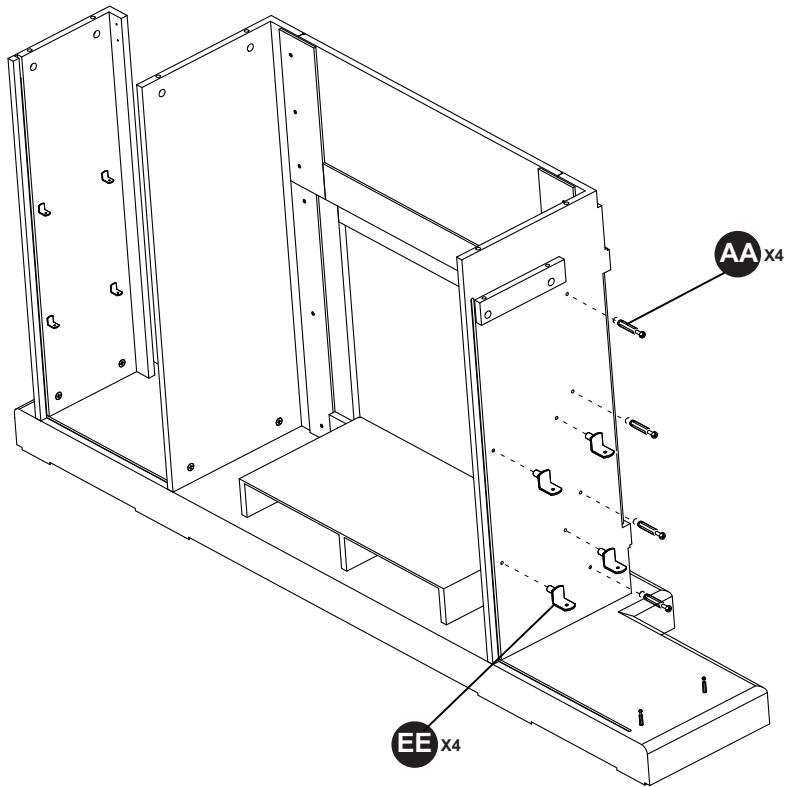


10.

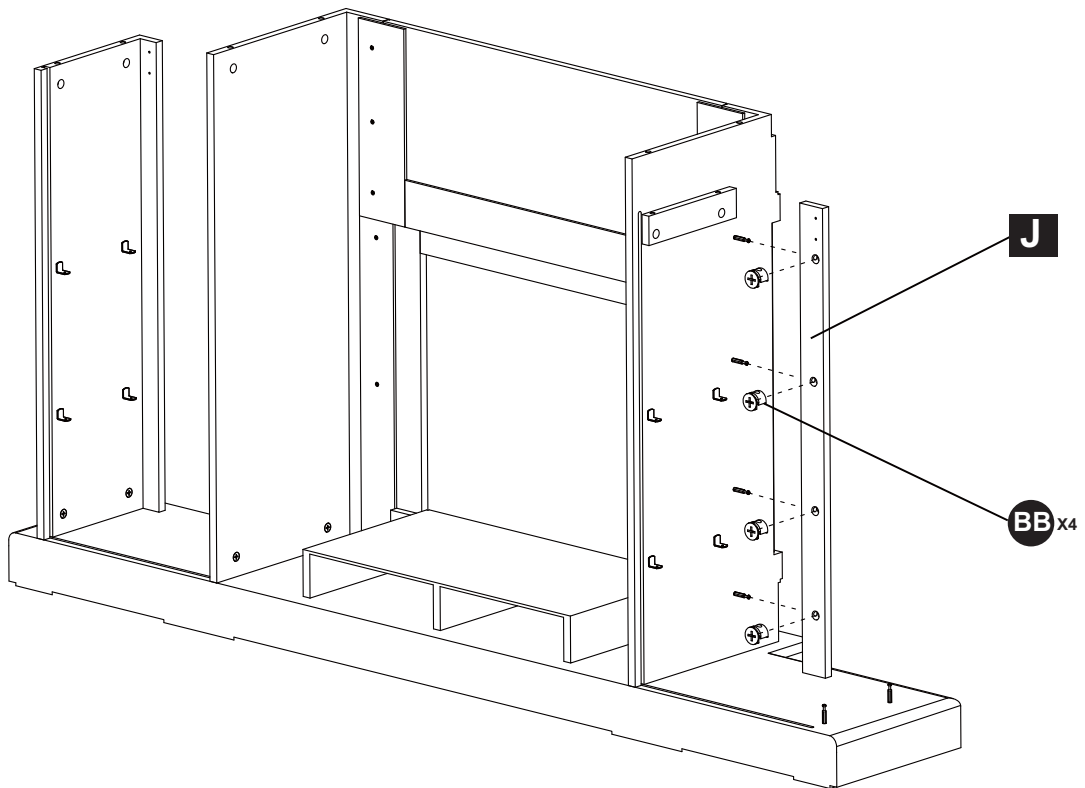


PACKAGE STEPS

11.

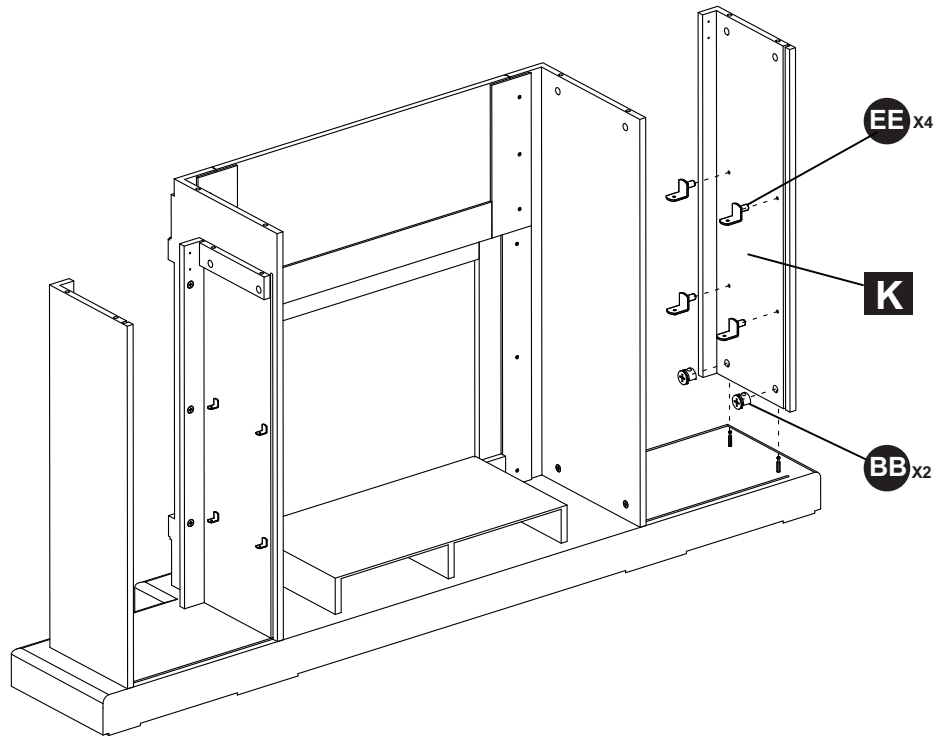


12.

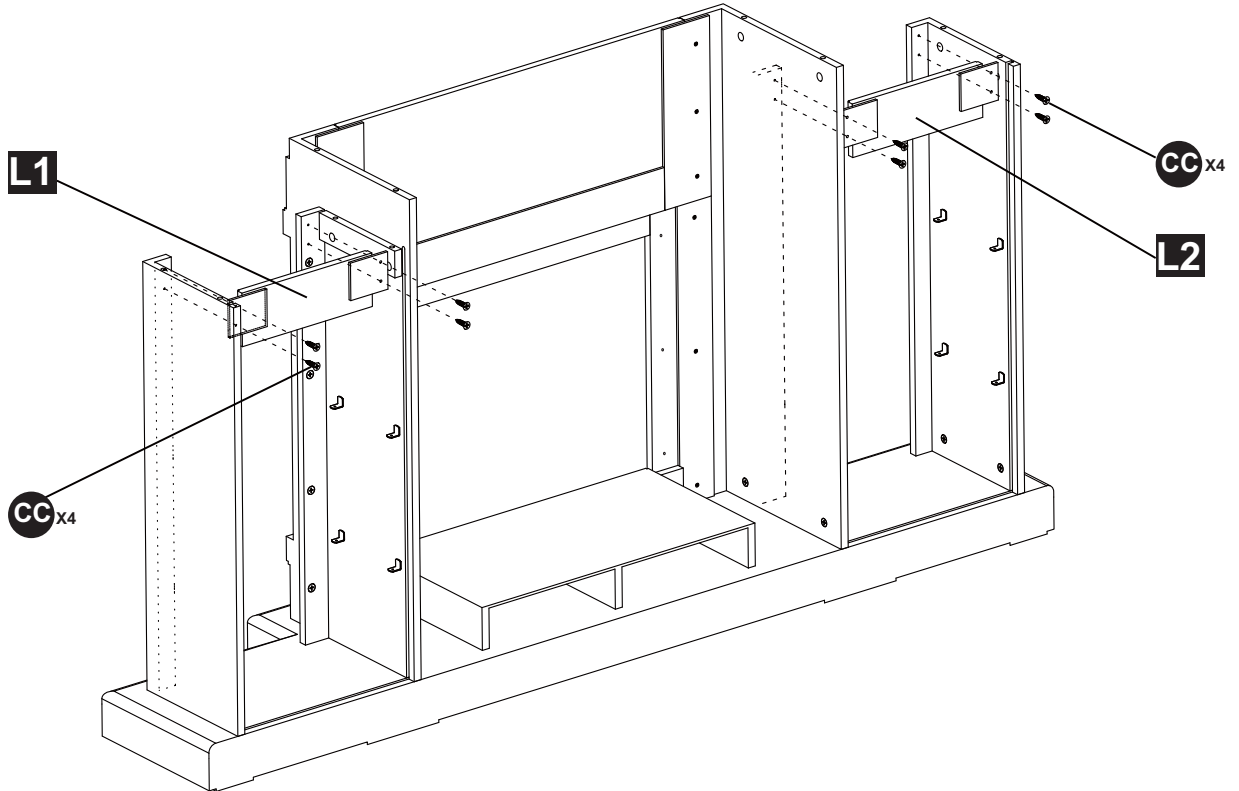


PACKAGE STEPS

13.

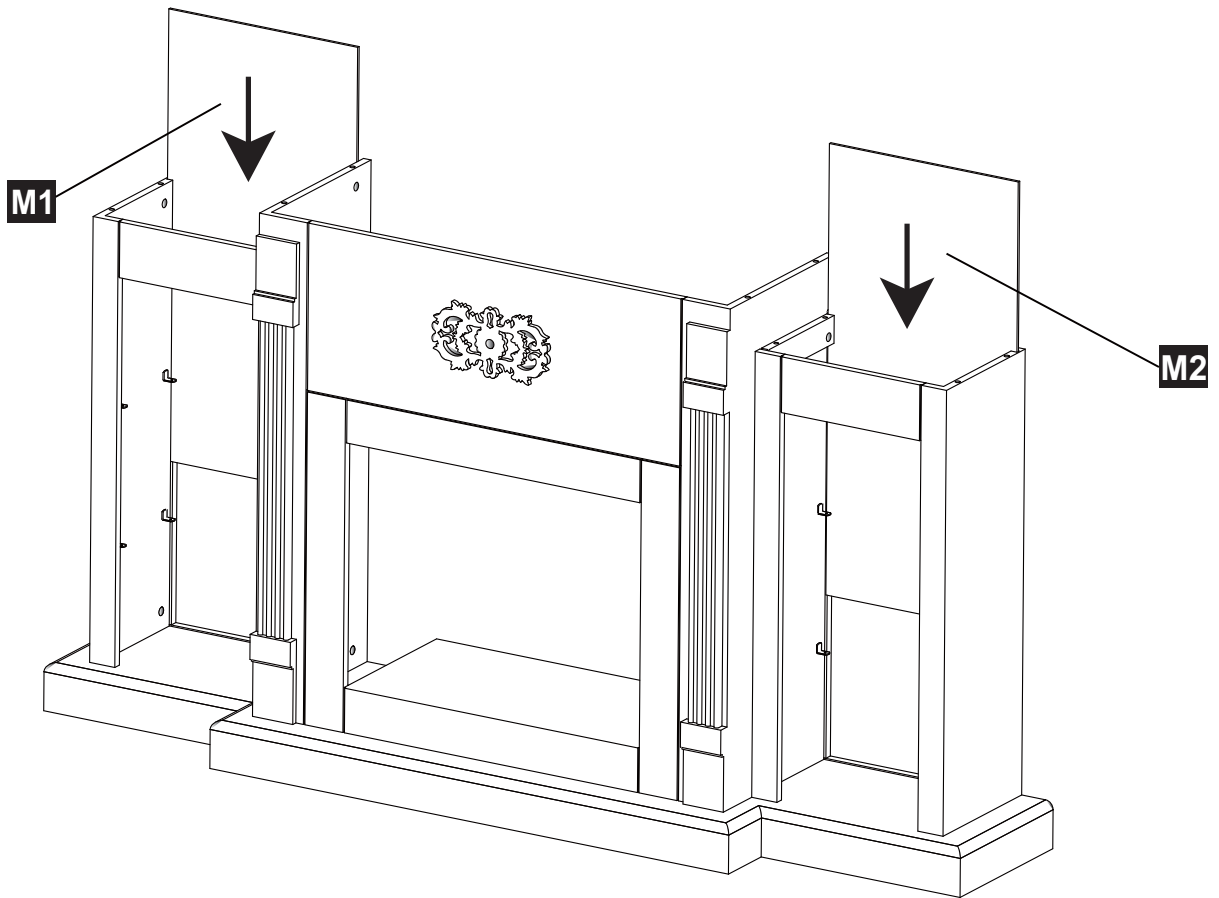


14.

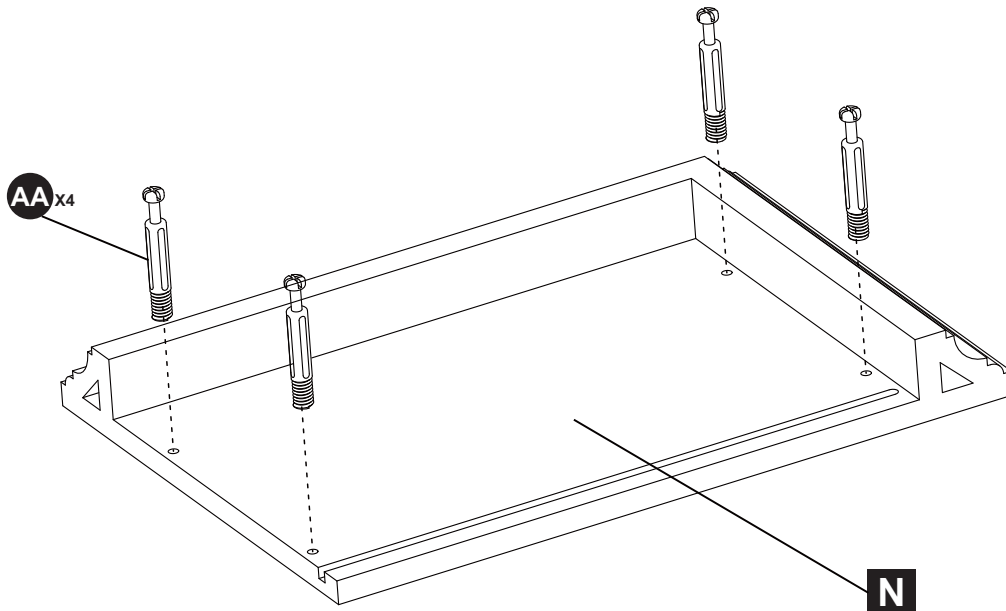


PACKAGE STEPS

15.

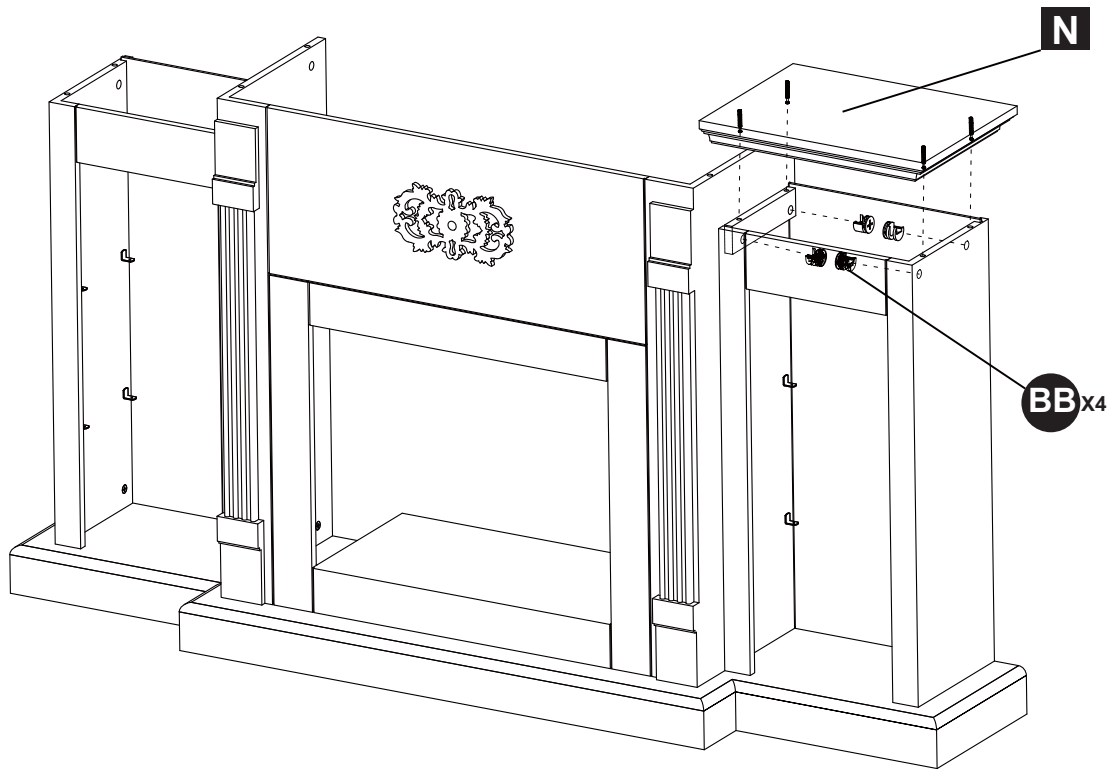


16.

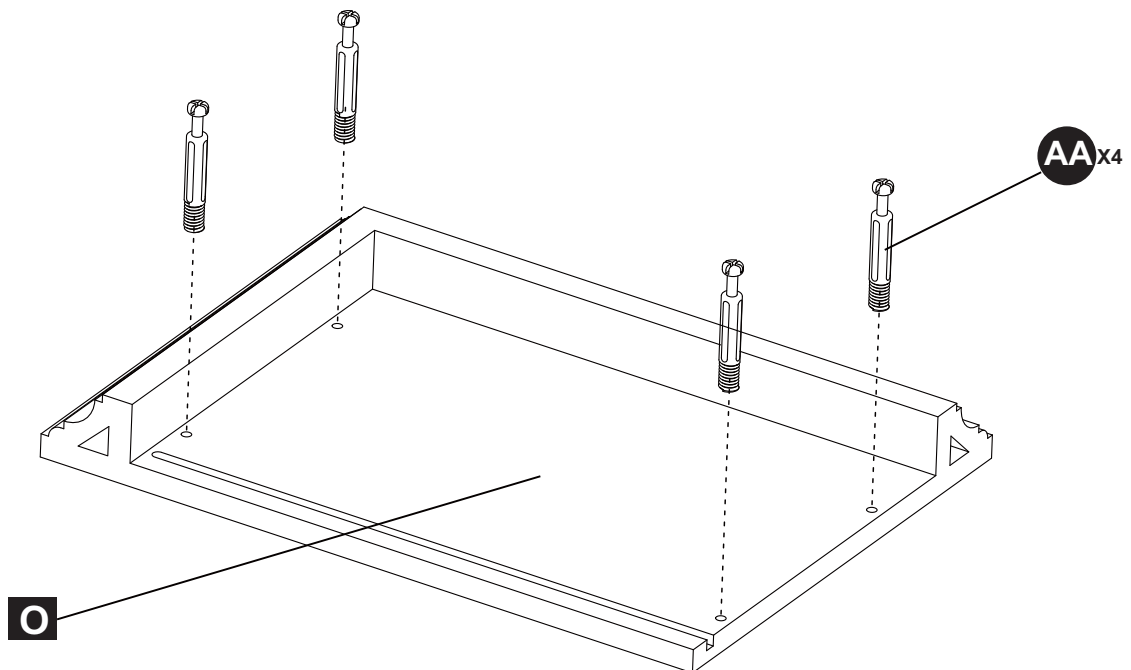


PACKAGE STEPS

17.

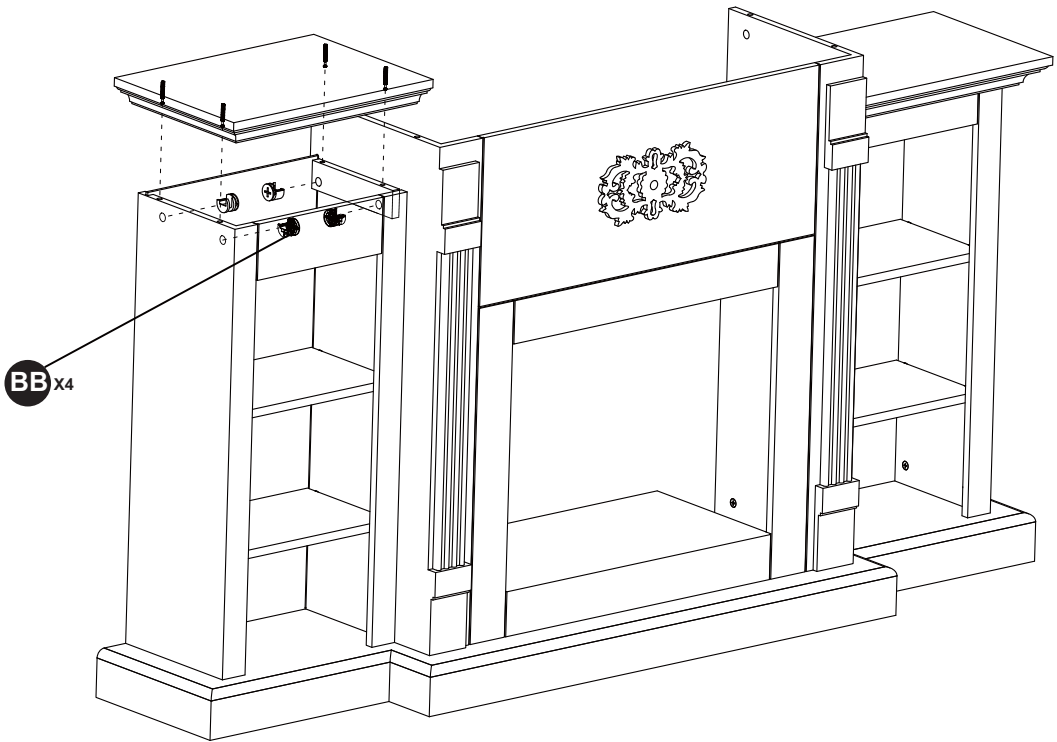


18.

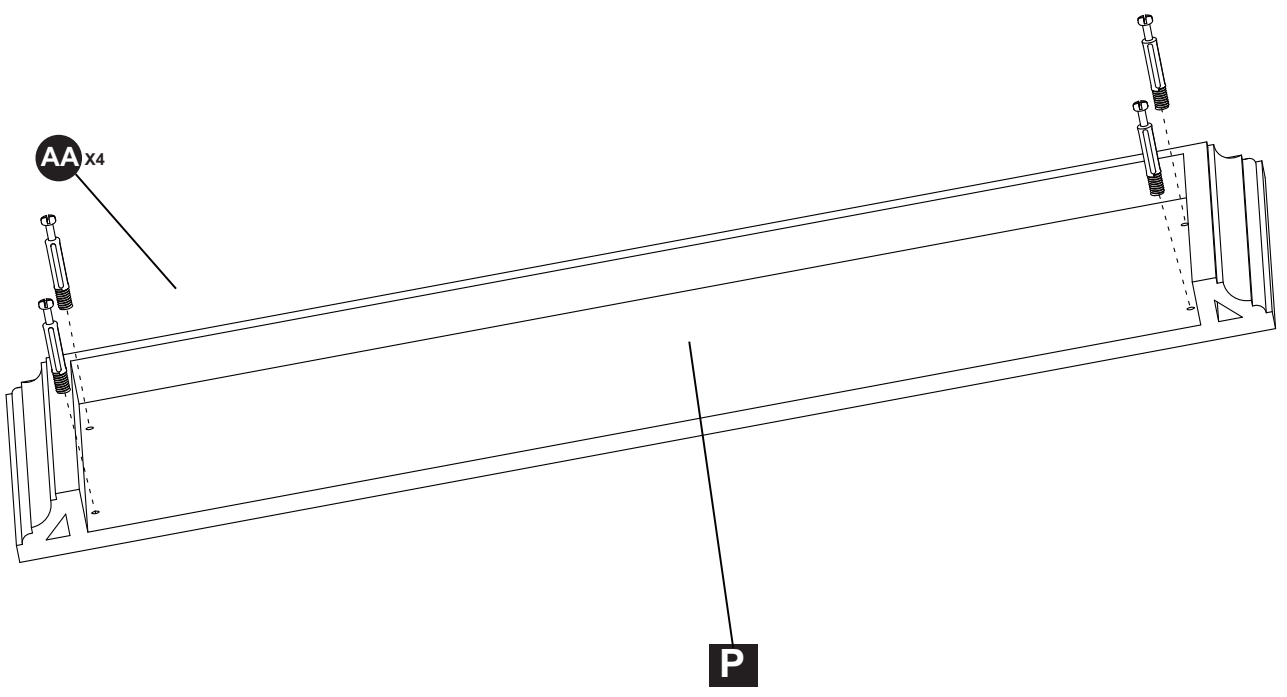


PACKAGE STEPS

19.

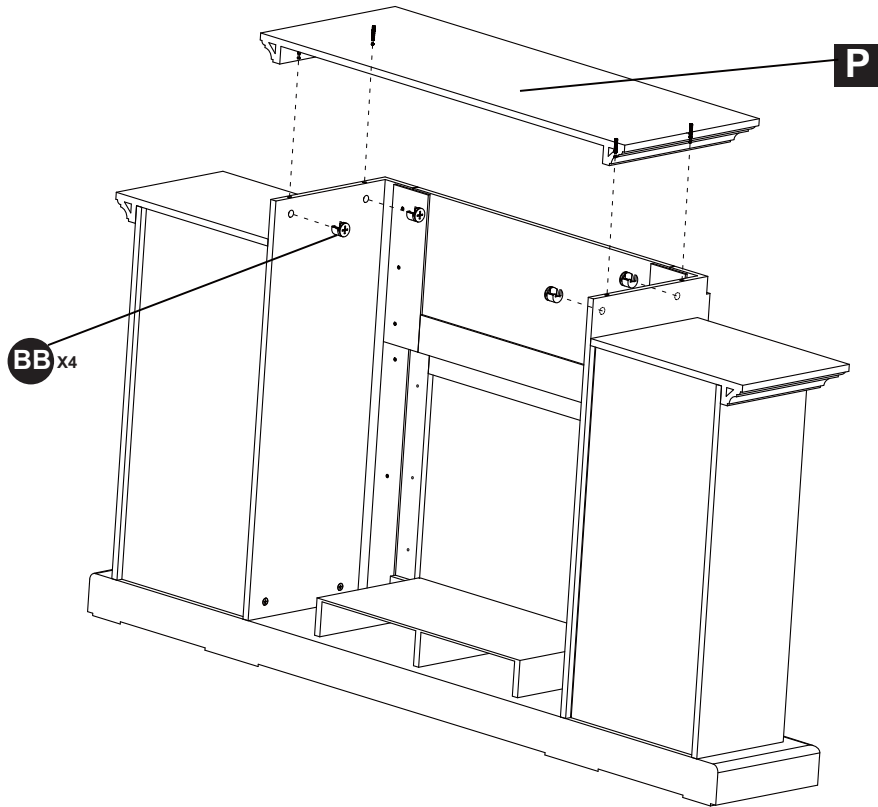


20.

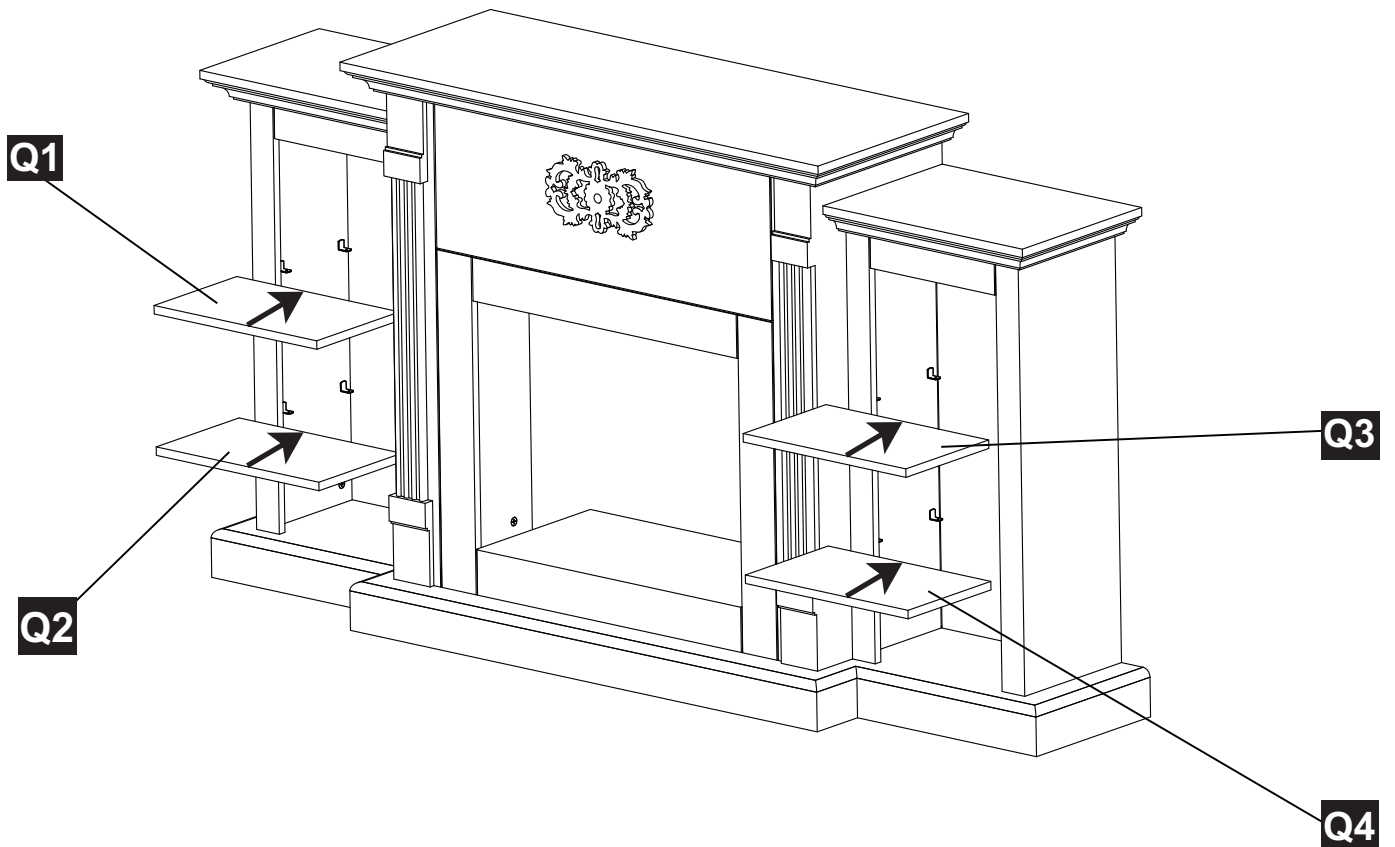


PACKAGE STEPS

21.



22.

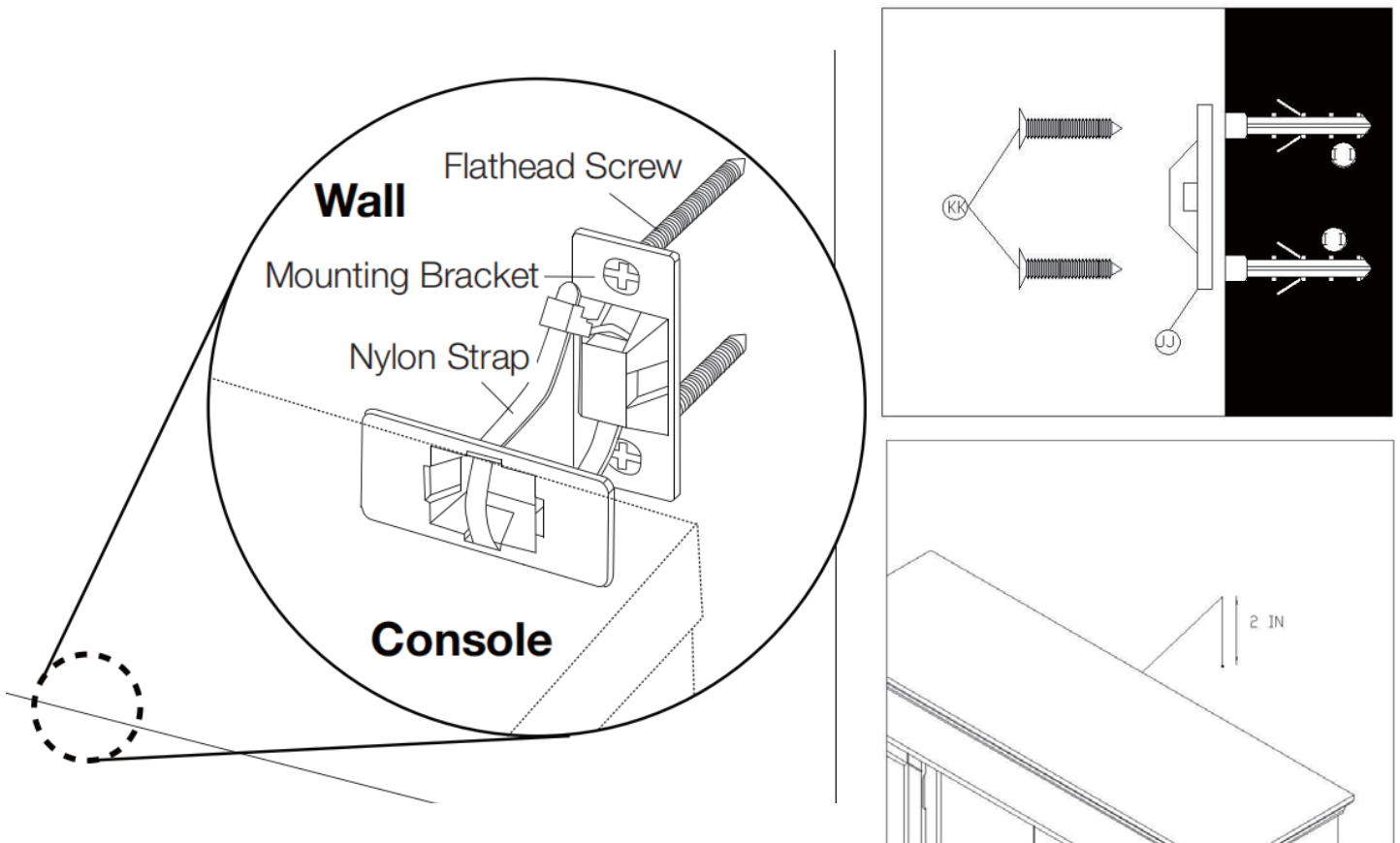


PACKAGE STEPS

IMPORTANT - Safety Chain Installation

WARNING:

This mantel is heavy furniture. Please be sure to correctly attach the safety chain to both the mantel and an adjacent wall. Failure to do so can cause serious injury or death.



INSTALLATION:

- Assemble the mantel and place it in position
- Attach one end of the chain to a wall stud using the screw included
- Attach the other screw – through a link in the chain – to the center of the mantel's top board (you may need to drill a small starter hole). Put the screw through the chain link that allows the least amount of slack in the chain.
- Carefully test that the installed chain adequately prevents tipping or tilting of the mantel.

NOTE: The chain must be as short as possible to prevent the mantel tipping forward. Do not allow slack in the chain.