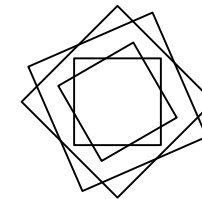
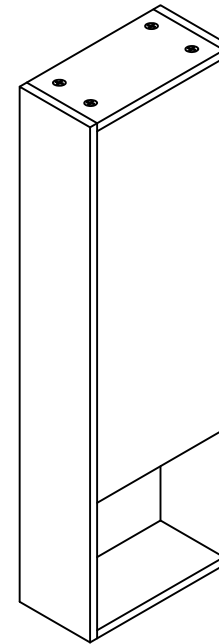


## THANKS FOR WATCHING

Your feedback is invaluable to us and we would love to hear about your experience. Please take the time to leave us a review.



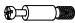


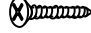





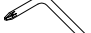


## Thank you for shopping with us!

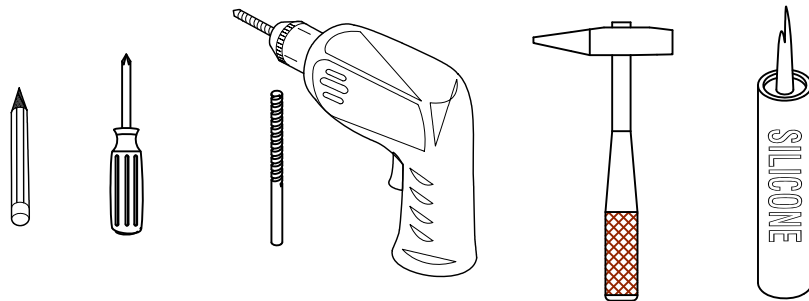
We encourage you to take a few minutes to go through this booklet. It contains important information on installation and care tips to keep your furniture looking as good as new.

# Item NO.:BV B120 B12A

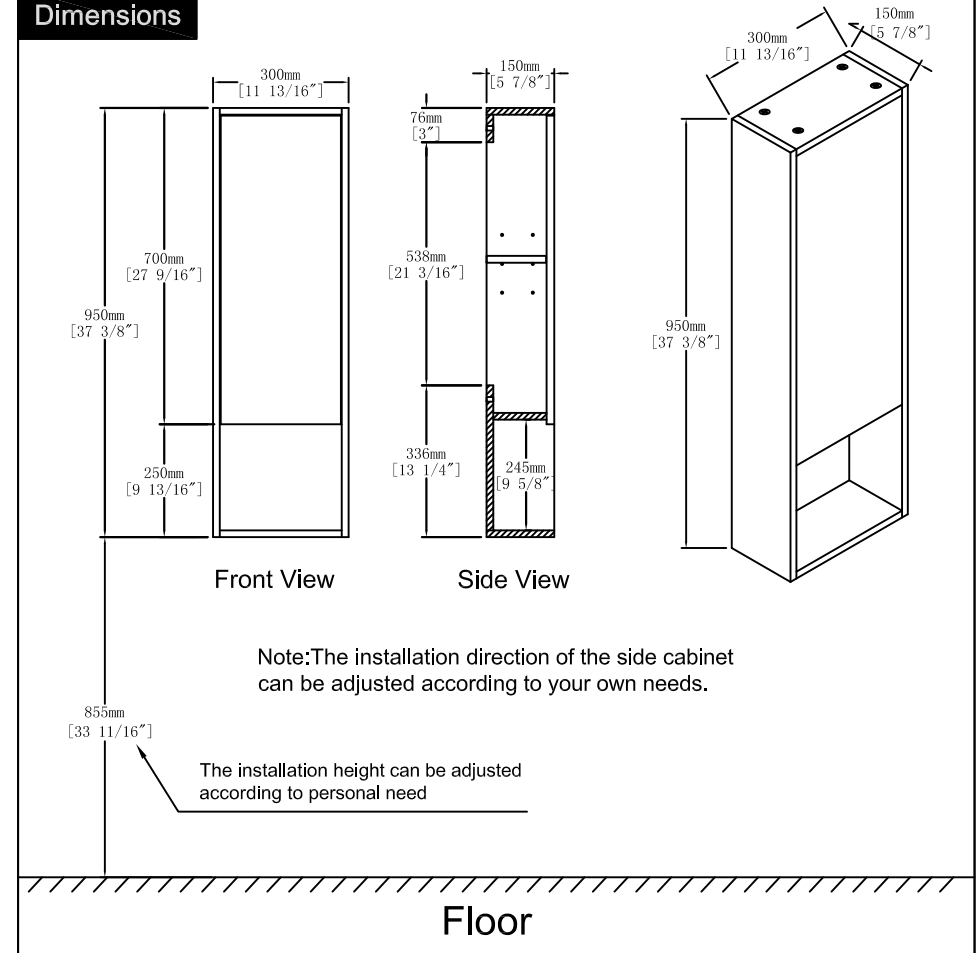
## Hardware

NO.	Draw	QTY	NO.	Draw	QTY
A	 Screws Ø4 x 14 mm	12	G	 Screws for fix on the wall	2
B	 Two-in-one connector	22	H	 Wall hanging screw decorative cover	2
C	 Two-in-one connector	22	I	 Screws Ø4 x 25 mm	2
D	 Wood plug	2	J	 Anti-collision gasket	1
E	 Plastic anchor(Ø10mm)	2	K	 Movable laminate support	4
F	 Hinges ( Internal hiding )	2	L	 Screwdriver	1

## Recommended tools



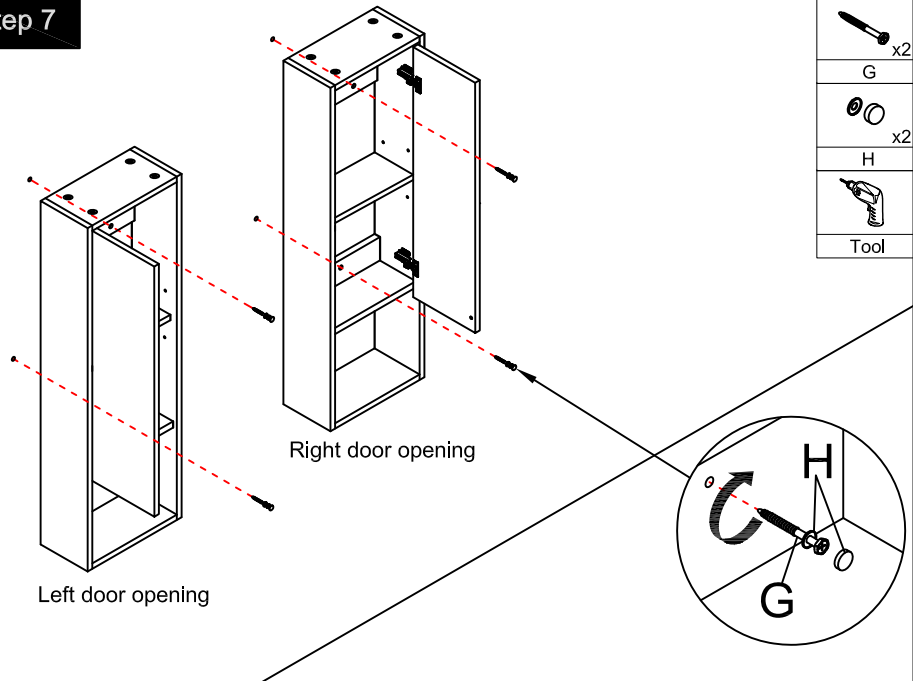
## Dimensions



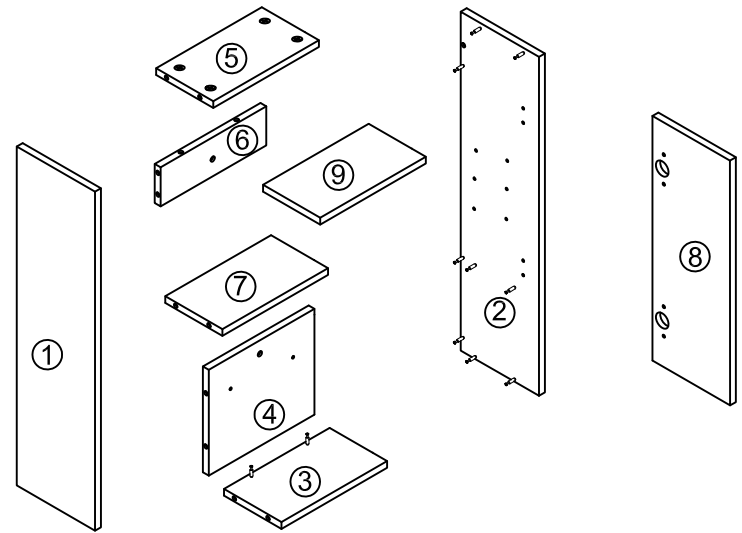
## CARE CLEANING AND MAINTENANCE

1. Dust regularly with a soft , dry cloth.
2. Avoid the use of all chemicals household cleaners, abrasives, or cleaners that contain lemon, vinegar, or other acids that may damage the finish.
3. Excessive exposure to sunlight and extreme changes in temperature and moisture can damage wood furniture.
4. Do not place hot appliances, such as curling irons and hot hair dryers directly on the countertop. Wipe spills immediately.

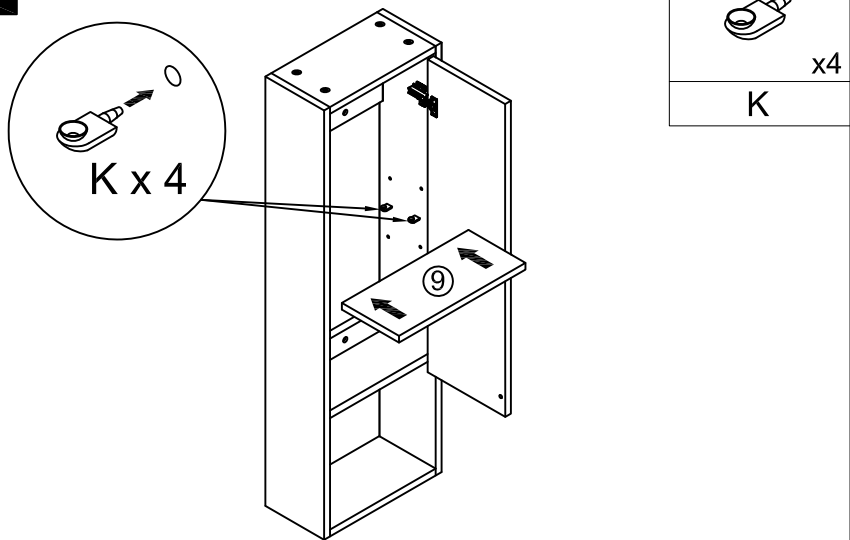
### Step 7



### Components

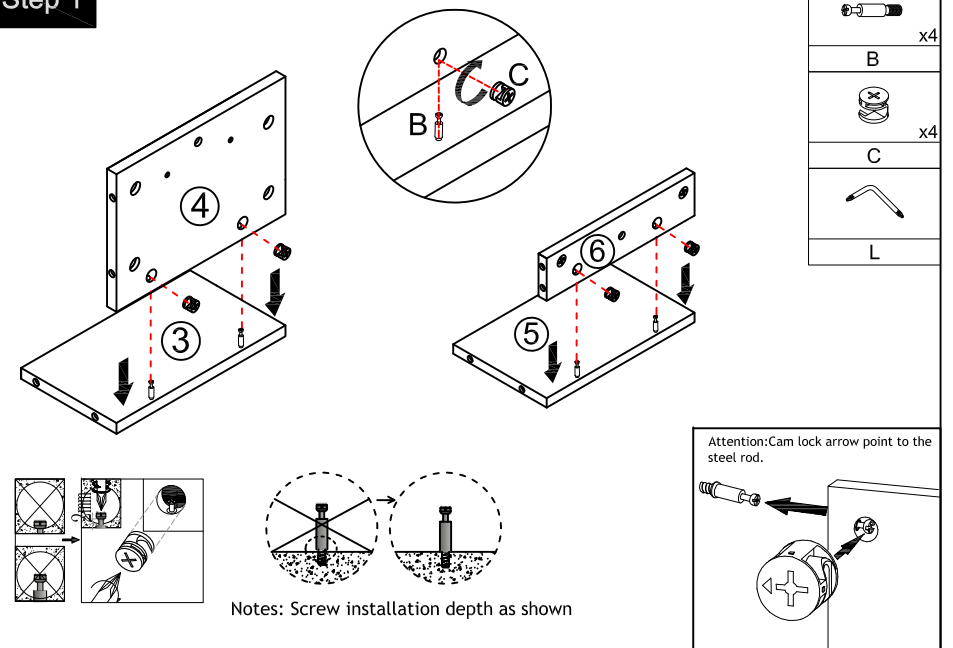


### Finished



Notes:  
The installation position can be selected according to the required height.

### Step 1



### Step 2

Note: The D parts are used for these this hole

	x9
	x9
	x1

### Step 4

Note: The opening direction of the door panel can be installed as left or right according to one's own needs.

You can adjust the doors by tightening or loosening the screws on the hinge.

	x12
	x2
	x1

### Step 3

Note: The D parts are used for this hole

	x9
	x9
	x1
	x2

### Step 5

Tool

### Step 6

Tool