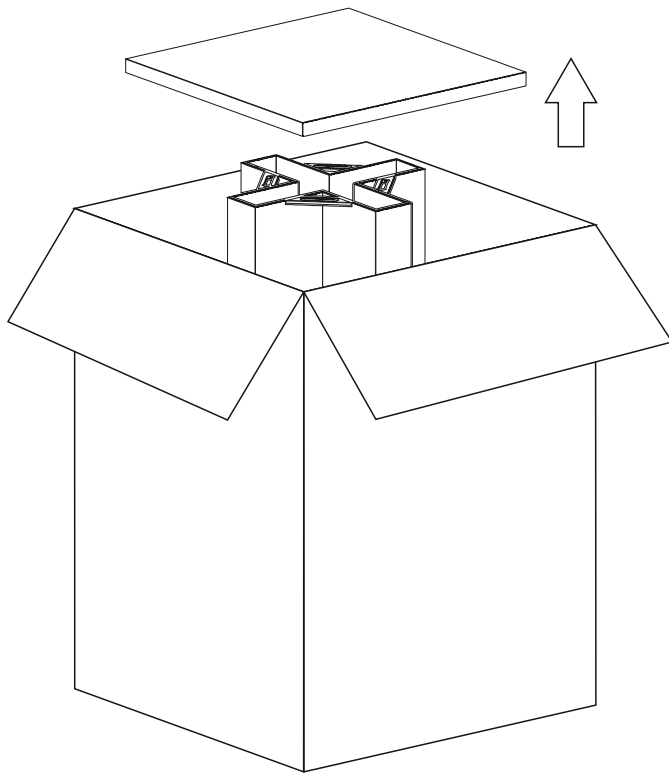
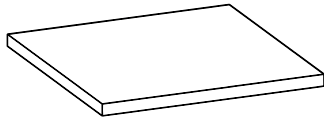
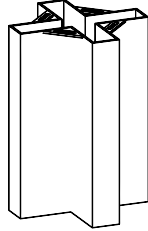

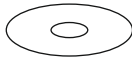



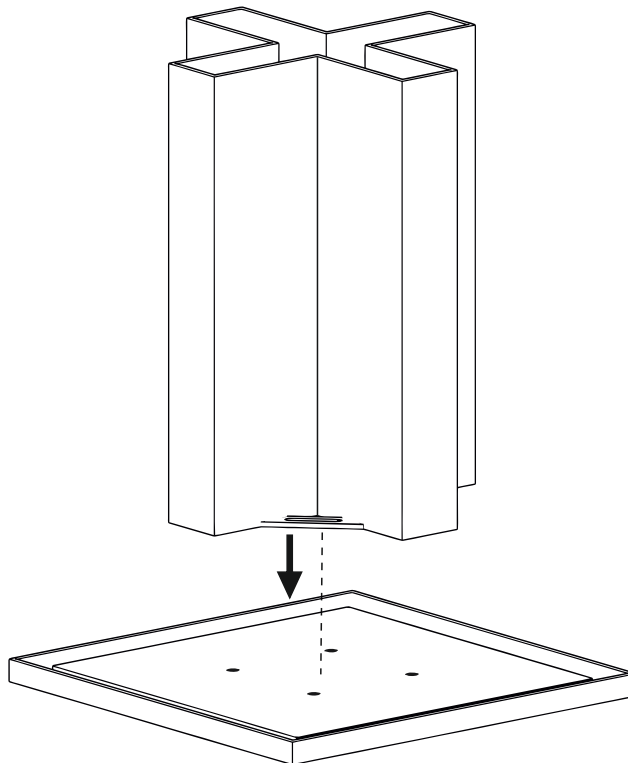
1



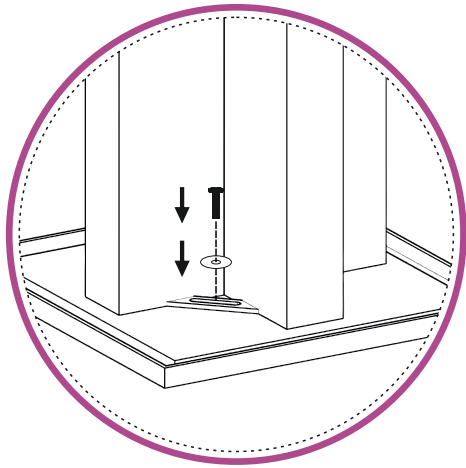
OUTDOOR END TABLE

| | |
|--|----------------------|
|  | X1 TOP |
|  | X1 BASE |
|  | X5 SCREW |
|  | X5 WASHERS |
|  | X1 HEX KEY |

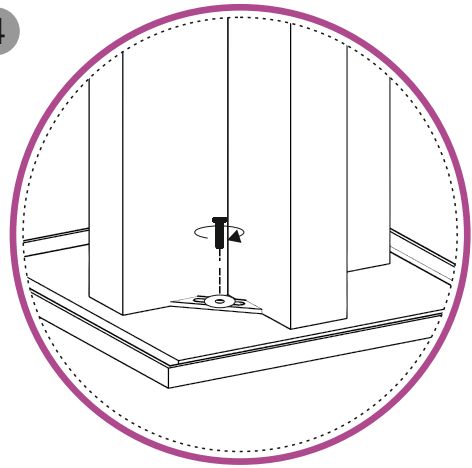
2



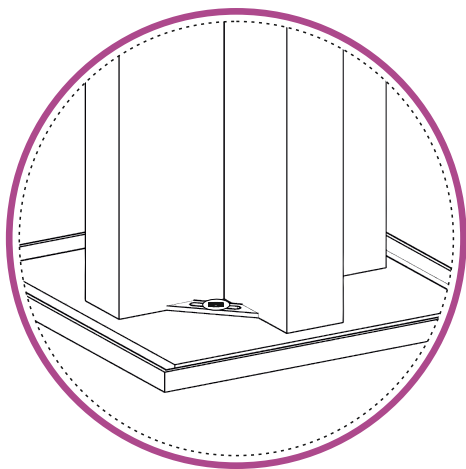
3



4



5



6

