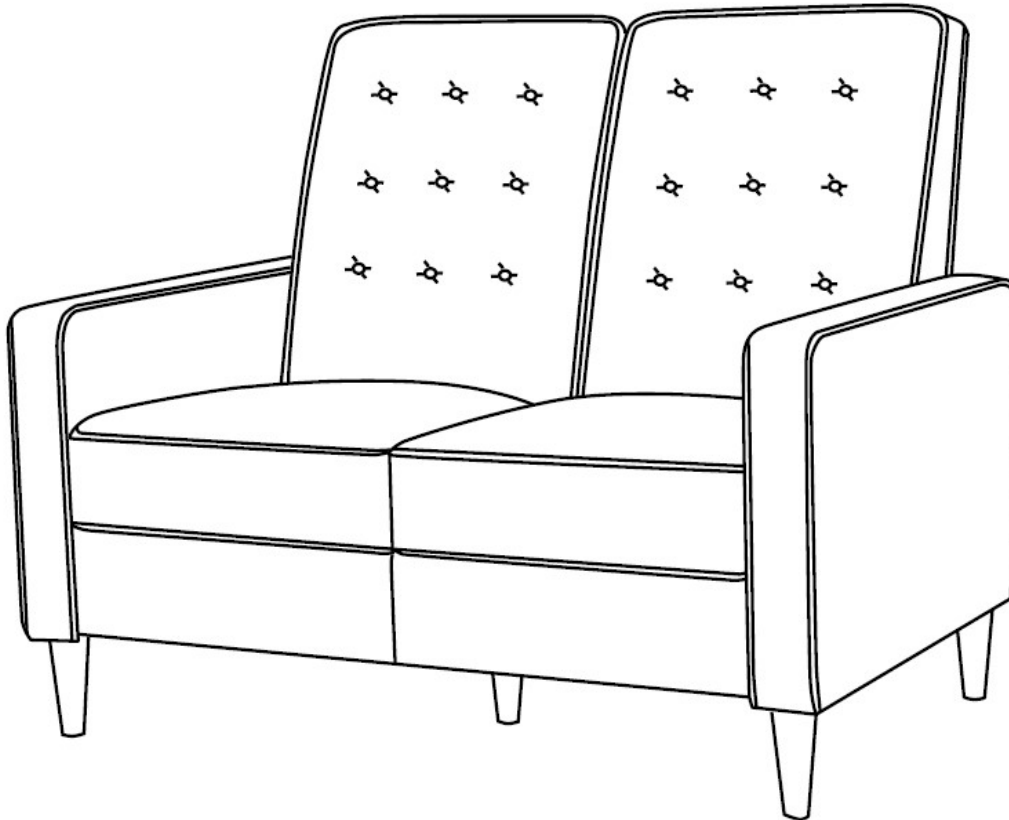


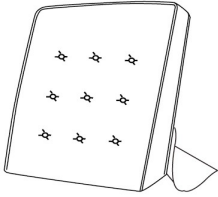
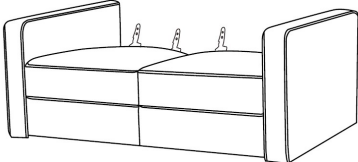

Assembly Instructions

Caution : You must read this before you proceed


Double Recliner



Parts List

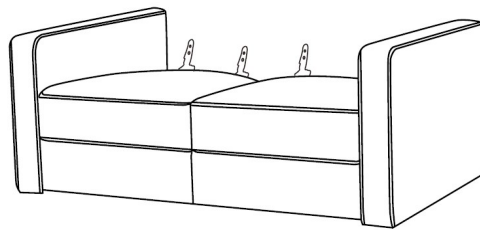
Label	Picture	Description	QTY
A		Chair Backrest	2
B		Recliner Base Body	1
C		Leg	5

Hardware

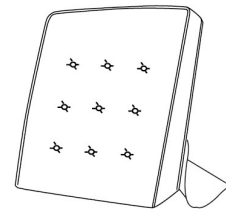
Label	Picture	Description	QTY
①		Washer Rings	8

Assembly Preparation

Before Beginning Assembly:



x1



x2



x5



x8



- Read instructions, cover to cover-



- Have 2 adults on hand for assembly-



- Do not assemble on flooring or carpet-



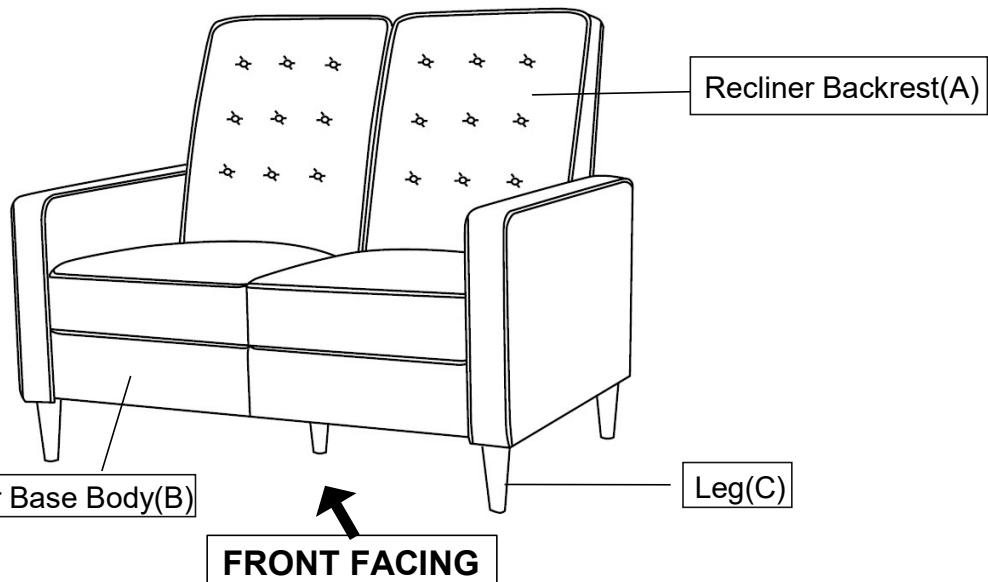
- Assemble on a clean non-marring surface (packing foam)-



- Save all packaging until finished-

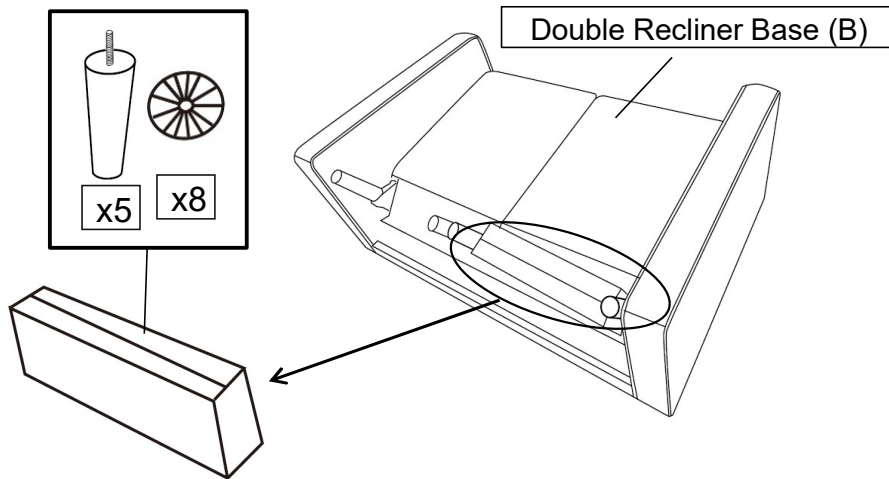
Assembly Steps

OVERVIEW



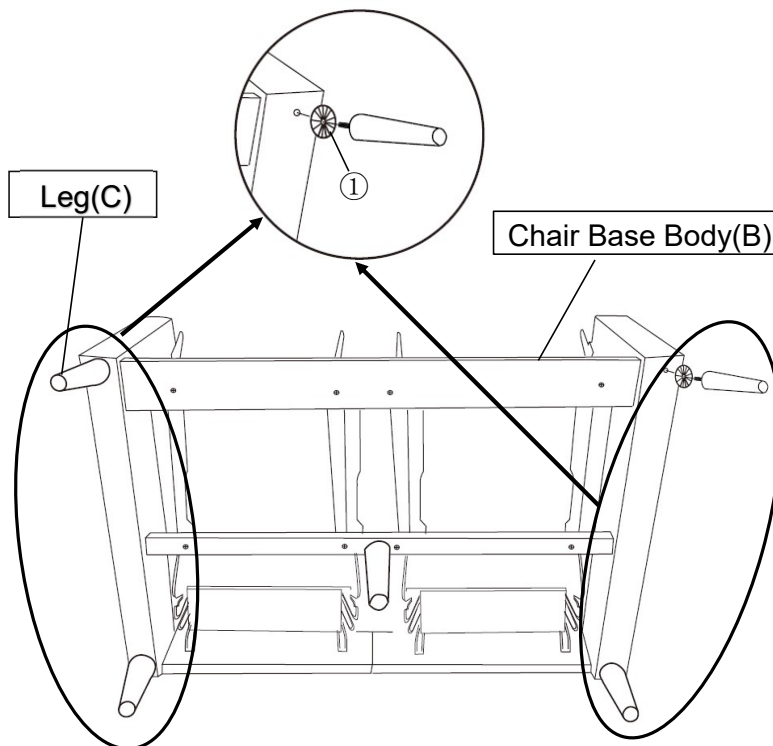
This Double Recliner has multiple parts and may require up to some 30 minutes to assemble. To give you an overview of the Double Recliner parts, the above picture is to help you put the various parts into perspective. Please read through the instructions here below to familiarise yourself with the parts and steps before assembly.

Step 1



Position the Double Recliner Base Body(B) on a clean non-marring surface (Preferably on a surface that won't scratch the upholstery.)
Take the inner box form the back of Recliner Base Body(B) then remove Legs and Hardware from inner box as shown.

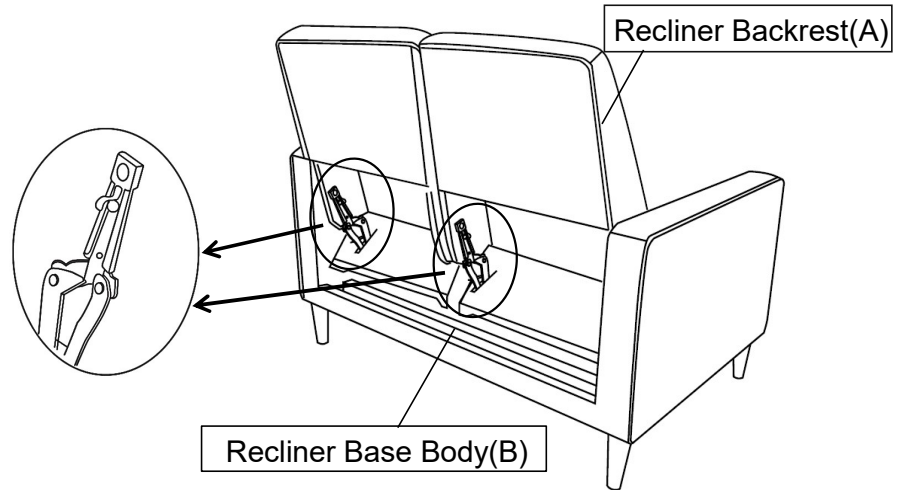
Step 2



Position the Recliner Base Body(B) on its back as shown above. Install the Leg(C) to the Recliner Base Body(B) by placing a Plastic Washer(①) on the stem of the leg, then turn the leg clockwise as shown. Repeat the same step with the remaining three Legs(C).

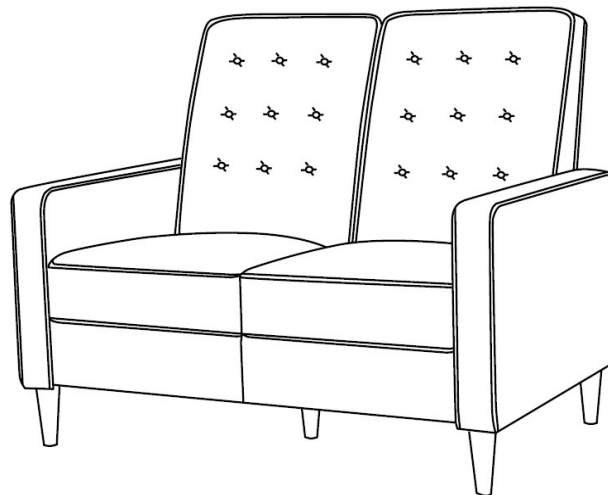
Note: The use of Plastic Washer(①) are OPTIONAL and are especially useful to help alleviate slight wobbleness. Some Legs may need more than one Plastic Washer(①) whilst some Legs may not need any.

Step 3



With assistance from your adult partner, hold up the Recliner Backrest(A) and stand behind the Recliner. Insert the small metal arms on the sides of the Recliner Backrest(A) into the prefabricated slide lock gadgets on the Recliner Base Body(B) as shown above. Firmly but gently, push the Chair Backrest(A) downwards until the Backrest is fully slotted and locked into position.

Step 4



Your Recliner is ready for use.
This Recliner can only be used on a flat, level surface.

User Instructions.

Recliner Chair

Please read the Instruction Manual below carefully before use.

This is a Recliner Chair. At anytime in a reclined seat position or in the upright position. You may enjoy the rocking motion by using your body weight in a back-front rocking motion.

Supervise any children that may use this Recliner.



Do not allow children to play on the Recliner.

Always leave the Recliner in an upright and closed position after use.

Keep hands and feet clear of the footrest mechanism and ANY gaps.

Only the occupant should operate the Recliner.

To get into a reclined posture - To Recline backrest

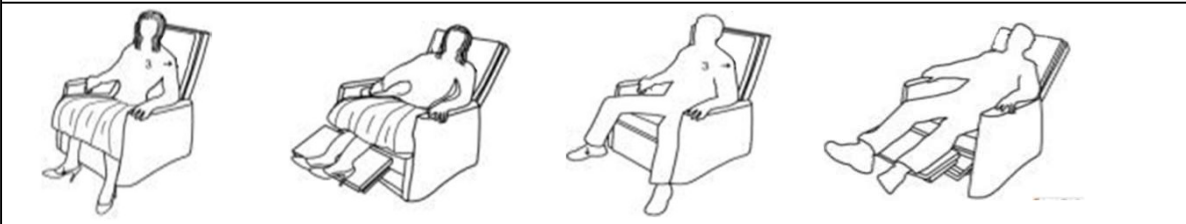
Sit into the seat.

Place your feet apart .

Place your left and right arm onto the armrest.

Synchronise a backward push with your arms.

Use your body weight and push backwards into the seat into a fully reclined position.

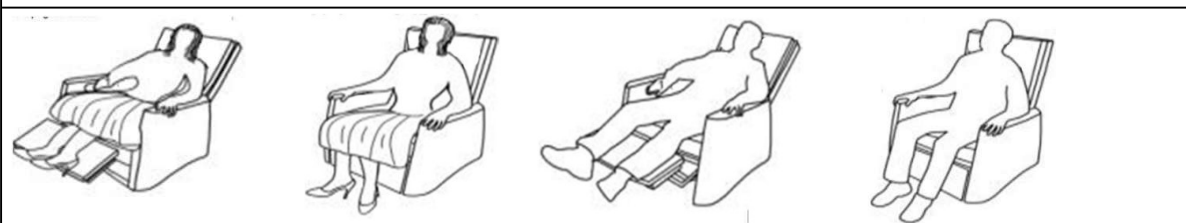


To get out of chair - move Seatback into Upright Position












Tilt your body weight slightly forward and upwards.

The seat back will come up to an upright position.

When necessary, use your arms to help lift- push yourself out of the seat.



Care & Maintenance

- ✓  • Furniture may scratch floors. We recommend using furniture pads to protect your floors.
- ⊘  • Do not put hot items directly on furniture surface.
- ⊘  • Do not clean furniture with harsh cleansers or polish.
- ⊘  • Do not place furniture under direct sunlight.
- ⊘  • Do not place furniture near heating or cooling vents.
- ⊘  • Do not write on furniture without a padded barrier to protect the surface.
- ⊘  • Do not place furniture outside . For indoor use only.
- ⊘  • Not for commercial use. For residential use only.
- ⊘  • Stains may be removed with mild soap solution and damp cloth.
- ⊘  • Children should not climb or jump on the furniture.
- ✓  • Dust and pick-up spills using a clean, non-colored, lint-free cloth.