

# **Assembly Instructions**

READ THIS MANUAL

Do not use this product until you read and understand the instructions in this manual.

KEEP THIS MANUAL FOR FUTURE REFERENCE.



***Don't want to read the paper user manual? Scan the QR code to get the Installation video.***

◆ Please check all parts and accessories. If there are any problems such as defects or missing parts, please E-mail us for assistance. We will strive to resolve your problem within 24 hours on business days.



**CALL US FIRST! ! !**

**DO NOT RETURN TO STORE**

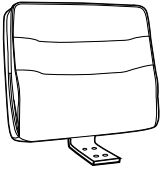
For immediate help with assembly or product information, please call us for assistance.

# 01 Check Various Accessories

## Details of accessories

Please check and ensure all the things are in the package.  
Feel free to contact us for help if something is not included.

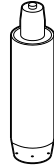
We advise conducting a 1:1 physical comparison to ensure a smooth installation.



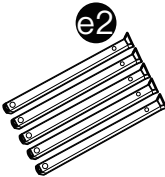
**a** \_\_\_\_\_ x1  
BACKREST



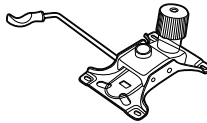
**b** \_\_\_\_\_ x1  
SEAT



**d** \_\_\_\_\_ x1  
GAS LIFT



**e** \_\_\_\_\_ x1  
BASE



**f** \_\_\_\_\_ x1  
MECHANISM



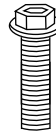
**g** \_\_\_\_\_ x5  
CASTER



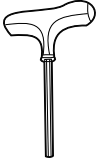
**h** \_\_\_\_\_ x5  
SCREW M6X12



**i** \_\_\_\_\_ x4  
SCREW M6X22



**j** \_\_\_\_\_ x4  
SCREW M6X32



**k** x1  
WRENCH



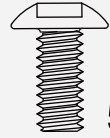
**c** x1  
BASE COVER

\*Note: The base cover is originally included with the **e1**. Since the base cover may fall off and potentially get damaged when attaching the leg frame to the **e1**, please remove the base cover before installation.

## 02 Instructions Before Using Chair Installation

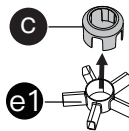
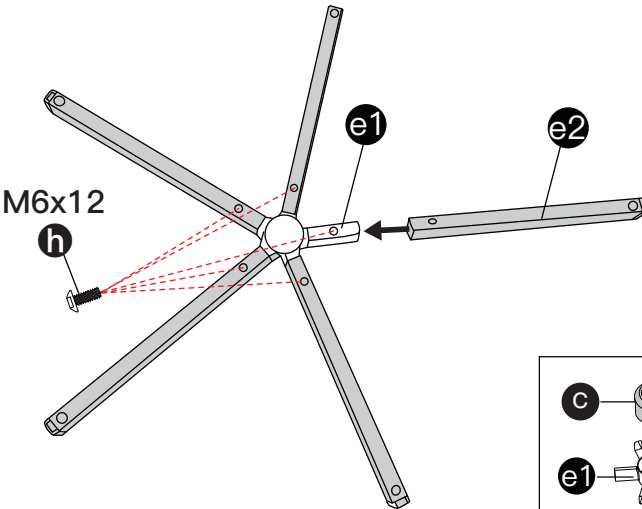
Please keep the original box in case you might need to return or replace the product.

**1** Insert the legs **e2** into the base center **e1** and fix them with **h**.



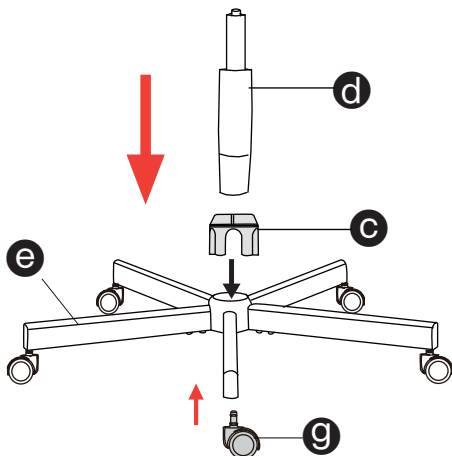
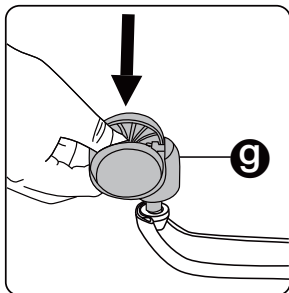
5x

**h** M6x12

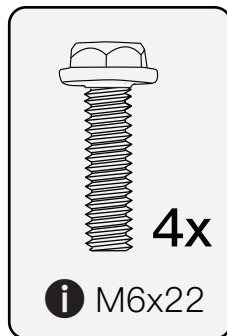
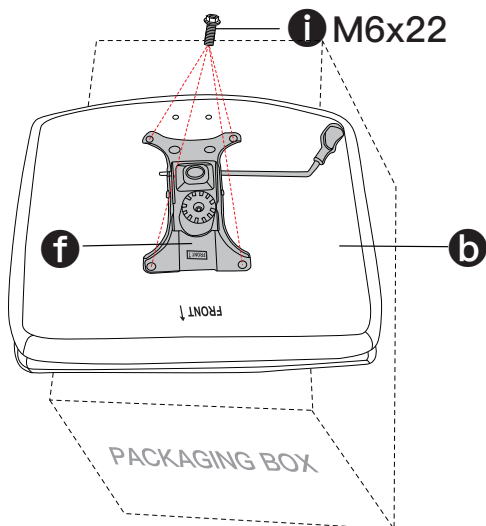


\*NOTE: Remove the base cover on the base center.

**2** Insert the casters and install the gas lift.

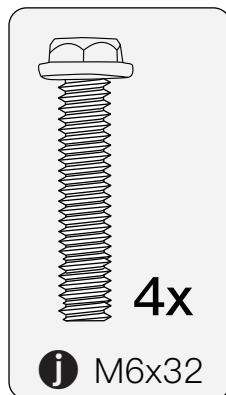


**3** Install the mechanism on the seat.  
(Use the packing box for installation.)

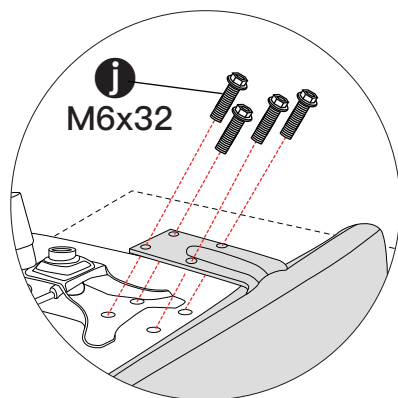
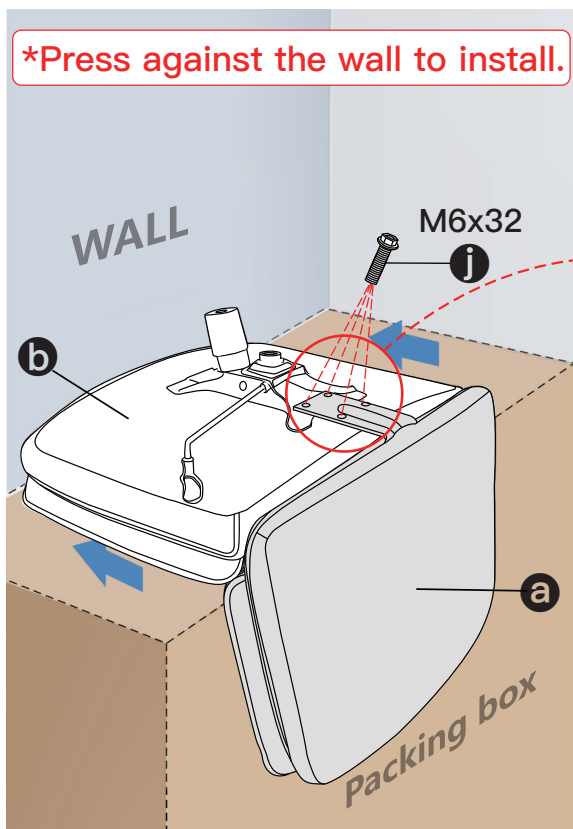


**DO NOT** tighten the screws completely until they are all installed in correct position.

**4** Install the backrest on the seat.

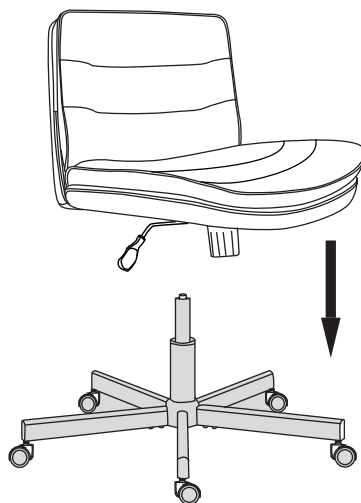


**\*Press against the wall to install.**



Install the front two screws of the backrest through the two screw holes in the mechanism.

**5** Place the seat on the gas lift.



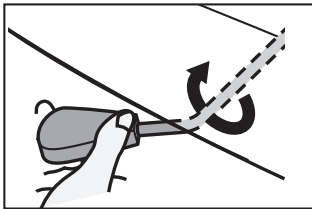
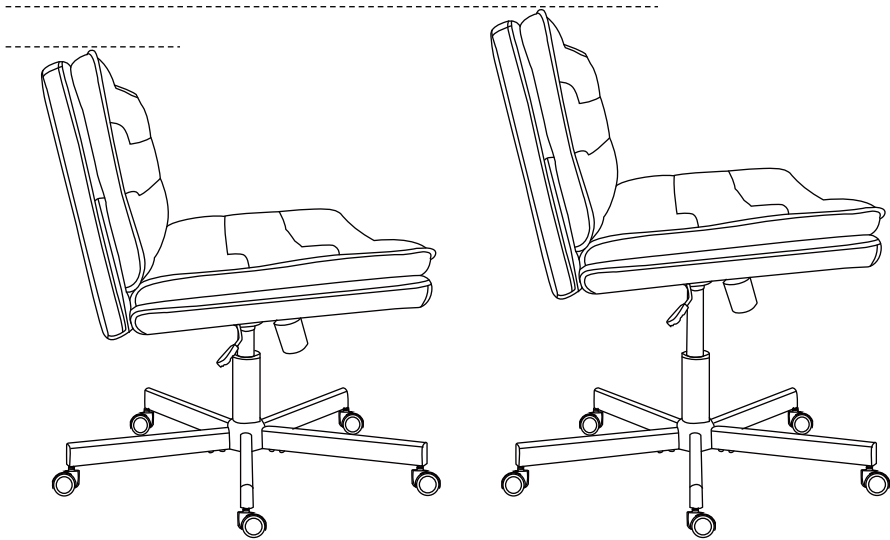
**6** Complete.



# 03 Functions Display

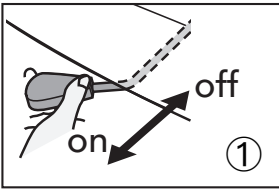
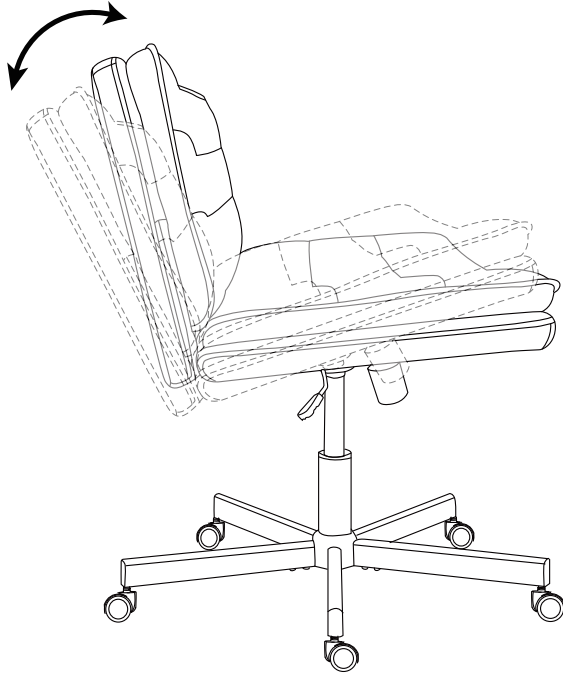
---

## **A** Chair Height Adjustment

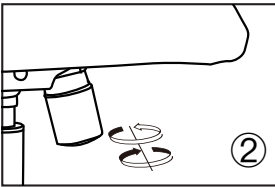


Pull upward the lever to achieve height adjustment.

## **B** Back Tilt Tension Adjustment



- ①. Pull in to lock, pull out to unlock the tilt of the chair.



- ②. Grasp the round cylinder knob under the front center of the seat.  
For firmer/stiffer -- turn clockwise.  
For softer/looser -- turn counter clockwise.

# SAFETY INFORMATION

---

- Use this chair for seating only one person at a time.
- ☒ DO NOT stand on the chair.
- ☒ DO NOT use the chair unless all screws are firmly secured.
- ☒ Avoid contact with sharp objects to prevent puncturing the fabric.
- ☒ Every 6 months, check all screws to ensure they are all tight.
- ☒ To clean, spot clean only needs a damp towel and mild cleaner, first test on a small obscure area of fabric.
- ☒ DO NOT use the chair as a stepladder.

Dear Customer,

Thank you for choosing us.

**We are** always here waiting for you at home as its name suggests.

We specialize in researching, developing, selling household and office products.

Our goal is to provide you with high-quality products that inspire happiness, ensuring trust and satisfaction.

For safe use, please read this manual before installation, and keep it for after use. Please feel free to email us if you have any concerns about our products.

We'll reply within 24 hours.

The following are the things you need to pay attention to so that we can provide you with

services when you encounter problems during the installation and use of the product:

- When the product is damaged due to courier problems, please contact our customer service in time for verification.

- We will rectify the issue as soon as possible;

- We give a 365-day quality assurance;

We offer product explanations, installation instructions, product maintenance and maintenance

methods.

If you feel satisfied with our product and service,

- Please set our store as your favorites;

- Please recommend our products to your friends;

- Please leave us your purchase experience in our store or product page.

Feedback or reviews from you will greatly help us offer better services to players around the world.

Best regards!

Avoid using sharp objects such as a knife to cut open packaging as you may accidentally damage the product.