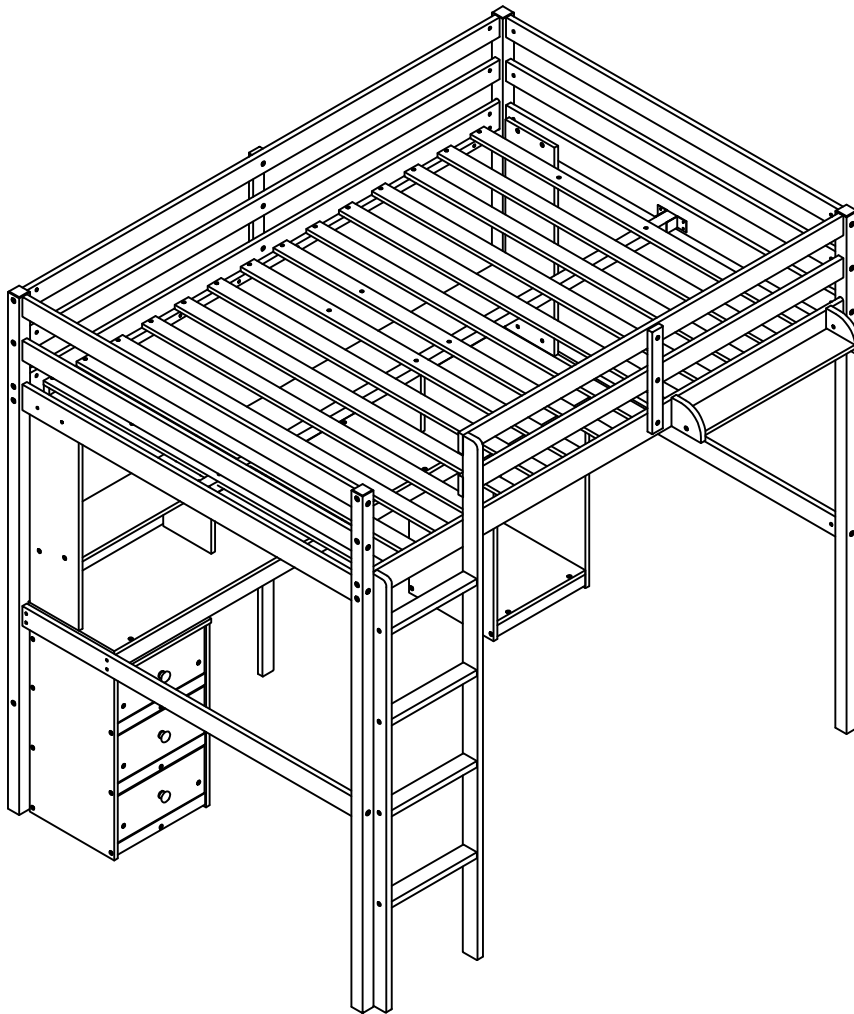


# ASSEMBLY INSTRUCTIONS

## FULL LOFT BED WITH DESK



**WF303302/WF303303**

## SAFETY WARNINGS AND GENERAL NOTES:

Follow the information on the warnings on the loft bed end structure and on the carton. Do not remove the warning label from the bed. Always use the recommended size mattress on mattress support, or both, to help prevent the likelihood of entrapment or falls.

The top surface of the mattress must be at least 5\*inch (127mm) below the upper edge of the guardrail.

Do not allow children under 6 years of age to use the upper bunk.

Periodically check and ensure the guardrail, ladder and other components are in their proper position, free from damage, and all connectors are tight.

Do not allow horseplay on or under beds.

Always prohibit jumping on the bed.

Prohibit more than one person on upper bunk.

Always use the ladder for entering and leaving the upper bunk.

Do not use substitute parts. Contact the manufacturer or dealer for replacement parts.

Use of a night-light may provide added safety precaution for a child using the upper bunk.

Always use guardrails on both long sides of the upper bunk.

If the loft bed will be placed next to a wall, the guardrail that runs the full length of the bed should be placed against the wall to prevent entrapment between the bed and the wall.

The use of water or sleep flotation mattresses is prohibited.

**STRANGULATION HAZARD**-Never attach or hang items to any part of the loft bed that are not designed for use with the bed.

Keep these instructions for future reference.

We recommend assembling your loft bed on the shipping carton to protect your floor or carpet.

Be certain all staples are out of the box before beginning assembly on the shipping carton.

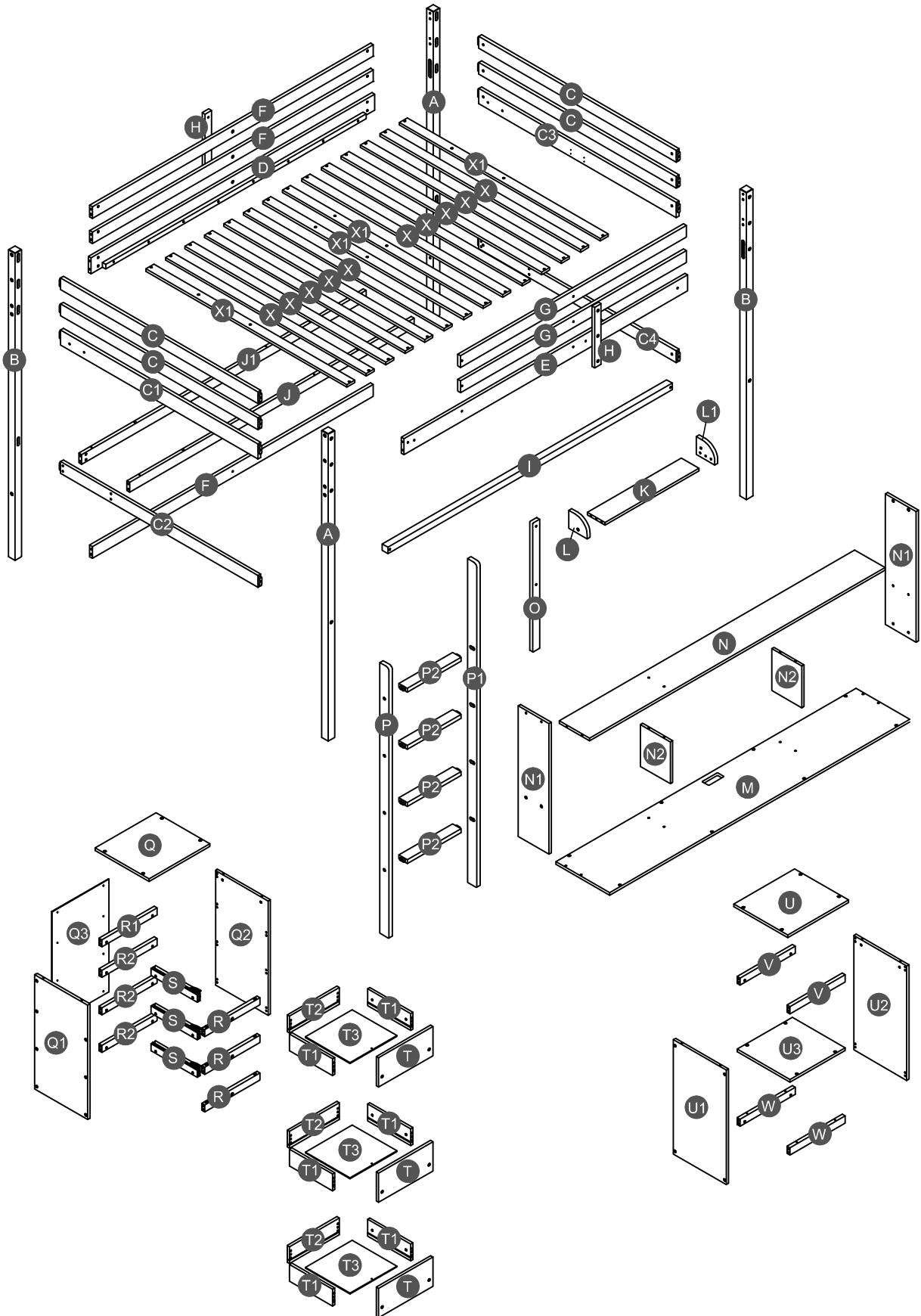
**USE ONLY MATTRESSES WHICH ARE 74"-75" LONG AND 54" WIDE ON UPPER BUNKS. ENSURE THICKNESS OF MATTRESS DOES NOT EXCEED 6".**

**SURFACE OF MATTRESS MUST BE AT LEAST 5" (127MM) BELOW THE UPPER EDGE OF GUARDRAILS.**

Replacement Parts:

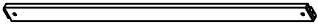

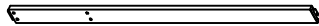
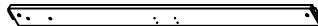
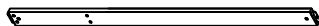



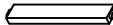
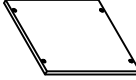
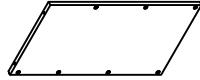
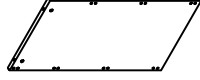


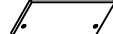
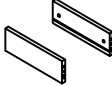


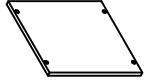
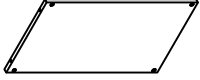
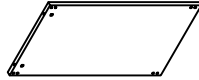



Replacement Parts, including additional guardrails, may be obtained from any of our (GIGACLOUD TECHNOLOGY (USA) INC. 18961 ARENTH AVENUE, CITY OF INDUSTRY , CA, 91748.) dealers

# Detail View



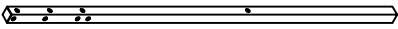
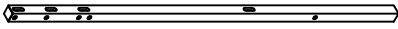


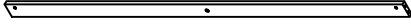






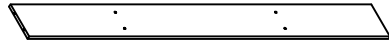
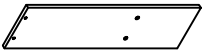


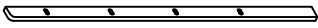
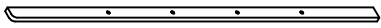

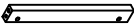
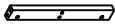
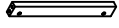
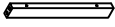
# Part List

## Hardware List WF303302


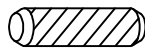
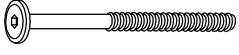

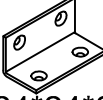

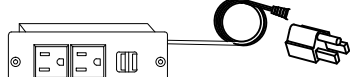
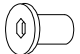
<b>C</b>  Horizontal bar HB/FB - 4pcs	<b>C1</b>  Divider horizontal bar FB - 1pc	<b>C2</b>  Lower horizontal bar FB - 1pc
<b>C3</b>  Divider horizontal bar HB - 1pc	<b>C4</b>  Lower horizontal bar HB - 1pc	<b>K</b>  Shelf panel (Front) - 1pc
<b>L</b>  Shelf support (Left) - 1pc	<b>L1</b>  Shelf support (Right) - 1pc	<b>P2</b>  Step ladder - 4pcs
<b>Q</b>  Top panel - 1pc	<b>Q1</b>  Side panel (Left) - 1pc	<b>Q2</b>  Side panel (Right) - 1pc
<b>Q3</b>  Back panel - 1pc	<b>S</b>  Support drawer - 3pcs	<b>T</b>  Front drawer panel - 3pcs
<b>T1</b>  Left / right drawer panel - 6pcs	<b>T2</b>  Back drawer panel - 3pcs	<b>T3</b>  Drawer bottom - 3pcs
<b>U</b>  Top panel - 1pc	<b>U1</b>  Side panel (Left) - 1pc	<b>U2</b>  Side panel (Right) - 1pc
<b>U3</b>  Bottom panel - 1pc	<b>X</b>  Slat - 10pcs	<b>X1</b>  Slat - 4pcs

# Part List

WF303303

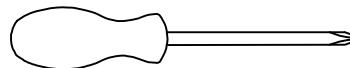
<p><b>A</b></p>  <p>Leg (Left Front/Right Back) - 2pcs</p>	<p><b>B</b></p>  <p>Leg (Left Back/Right Front) - 2pcs</p>	<p><b>D</b></p>  <p>Side rail (Back) - 1pc</p>
<p><b>E</b></p>  <p>Side rail (Front) - 1pc</p>	<p><b>F</b></p>  <p>Long guard rail (Back) - 3pcs</p>	<p><b>G</b></p>  <p>Short guard rail (Front) - 2pcs</p>
<p><b>H</b></p>  <p>Vertical guard rail - 2pcs</p>	<p><b>I</b></p>  <p>Lower support slat - 1pc</p>	<p><b>J</b></p>  <p>Lower horizontal bar (Front) - 1pc</p>
<p><b>J1</b></p>  <p>Lower horizontal bar (Back) - 1pc</p>	<p><b>M</b></p>  <p>Top panel - 1pc</p>	<p><b>N</b></p>  <p>Shelf panel - 1pc</p>
<p><b>N1</b></p>  <p>Side panel - 2pcs</p>	<p><b>N2</b></p>  <p>Divider shelf panel - 2pcs</p>	<p><b>O</b></p>  <p>Support middle lower back - 1pc</p>
<p><b>P</b></p>  <p>Left side ladder - 1pc</p>	<p><b>P1</b></p>  <p>Right side ladder - 1pc</p>	<p><b>R</b></p>  <p>Horizontal bar (Front) - 3pcs</p>
<p><b>R1</b></p>  <p>Upper horizontal bar (Back) - 1pc</p>	<p><b>R2</b></p>  <p>Horizontal bar (Back) - 3pcs</p>	<p><b>V</b></p>  <p>Upper horizontal bar - 2pcs</p>
<p><b>W</b></p>  <p>Lower horizontal bar - 2pcs</p>		

# Hardware List WF303302

<p><b>1</b></p>  <p style="text-align: center;">Ø10*40mm</p> <p style="text-align: center;">Wood dowel (8pcs)</p>	<p><b>2</b></p>  <p style="text-align: center;">Ø10*20mm</p> <p style="text-align: center;">Wood dowel (4pcs)</p>	<p><b>3</b></p>  <p style="text-align: center;">Ø8*30mm</p> <p style="text-align: center;">Wood dowel (50pcs)</p>
<p><b>4</b></p>  <p style="text-align: center;">(Ø15)1/4"*100mm</p> <p style="text-align: center;">Hex-Head bolts (16pcs)</p>	<p><b>5</b></p>  <p style="text-align: center;">(Ø15)1/4"*80mm</p> <p style="text-align: center;">Hex-Head bolts (16pcs)</p>	<p><b>6</b></p>  <p style="text-align: center;">(Ø12)1/4"*60mm</p> <p style="text-align: center;">Hex-Head bolts (84pcs)</p>
<p><b>7</b></p>  <p style="text-align: center;">(Ø12)1/4"*40mm</p> <p style="text-align: center;">Hex-Head bolts (6pcs)</p>	<p><b>8</b></p>  <p style="text-align: center;">(Ø12)1/4"*35mm</p> <p style="text-align: center;">Hex-Head bolts (2pcs)</p>	<p><b>9</b></p>  <p style="text-align: center;">(Ø12)1/4"*30mm</p> <p style="text-align: center;">Hex-Head bolts (10pcs)</p>
<p><b>10</b></p>  <p style="text-align: center;">1/4"*15 (9.5mm)</p> <p style="text-align: center;">Horizontal-Hole bolts(116pcs)</p>	<p><b>11</b></p>  <p style="text-align: center;">(Ø12)1/4"*40mm</p> <p style="text-align: center;">Hex-Head bolts (12pcs)</p>	<p><b>12</b></p>  <p style="text-align: center;">(1/4")4.5*58mm</p> <p style="text-align: center;">Allen key (2pcs)</p>
<p><b>13</b></p>  <p style="text-align: center;">Ø4*30mm</p> <p style="text-align: center;">Wood screws (32pcs)</p>	<p><b>14</b></p>  <p style="text-align: center;">Ø38*31mm</p> <p style="text-align: center;">Pine Knob (3pcs)</p>	<p><b>15</b></p>  <p style="text-align: center;">3/16"*25mm</p> <p style="text-align: center;">Ph zinc(Knob) (3pcs)</p>
<p><b>16</b></p>  <p style="text-align: center;">50*24*24*2mm</p> <p style="text-align: center;">Metal bracket (1pc)</p>	<p><b>17</b></p>  <p style="text-align: center;">40*18*18*2mm</p> <p style="text-align: center;">Metal bracket (4pcs)</p>	<p><b>18</b></p>  <p style="text-align: center;">Ø3.5*15mm</p> <p style="text-align: center;">Wood screws (40pcs)</p>
<p><b>19</b></p>  <p style="text-align: center;">Ø3.5*15mm</p> <p style="text-align: center;">Wood screws (8pcs)</p>	<p><b>20</b></p>  <p style="text-align: center;">295*30mm</p> <p style="text-align: center;">Upper slider drawer (3pcs)</p>	<p><b>21</b></p>  <p style="text-align: center;">125*47*43mm</p> <p style="text-align: center;">2 holes usb Power plug (1pc)</p>
<p><b>22</b></p>  <p style="text-align: center;">L3000mm</p> <p style="text-align: center;">Adapter and wire strip (1pc)</p>	<p><b>23</b></p>  <p style="text-align: center;">L1900mm</p> <p style="text-align: center;">Led light (1pc)</p>	<p><b>24</b></p>  <p style="text-align: center;">22*10*6mm</p> <p style="text-align: center;">Clamp plastic (1pc)</p>
<p><b>25</b></p>  <p style="text-align: center;">(Ø13)1/4"*14mm</p> <p style="text-align: center;">Connect bolt (2pcs)</p>	<p><b>26</b></p>  <p style="text-align: center;">116*40*27mm</p> <p style="text-align: center;">Metal bracket (2pcs)</p>	

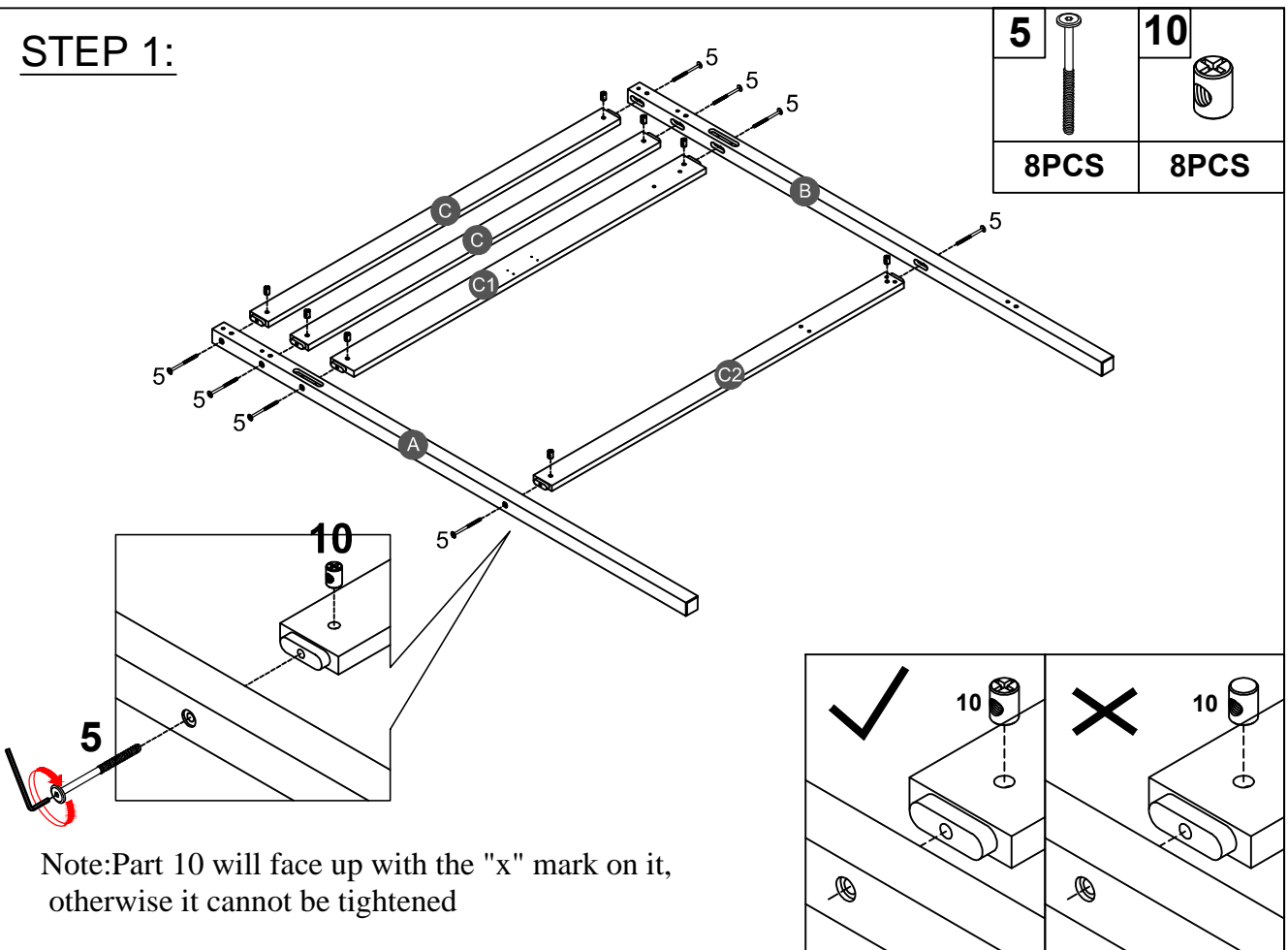


ASSEMBLY TOOLS REQUIRED ( NOT INCLUDED )

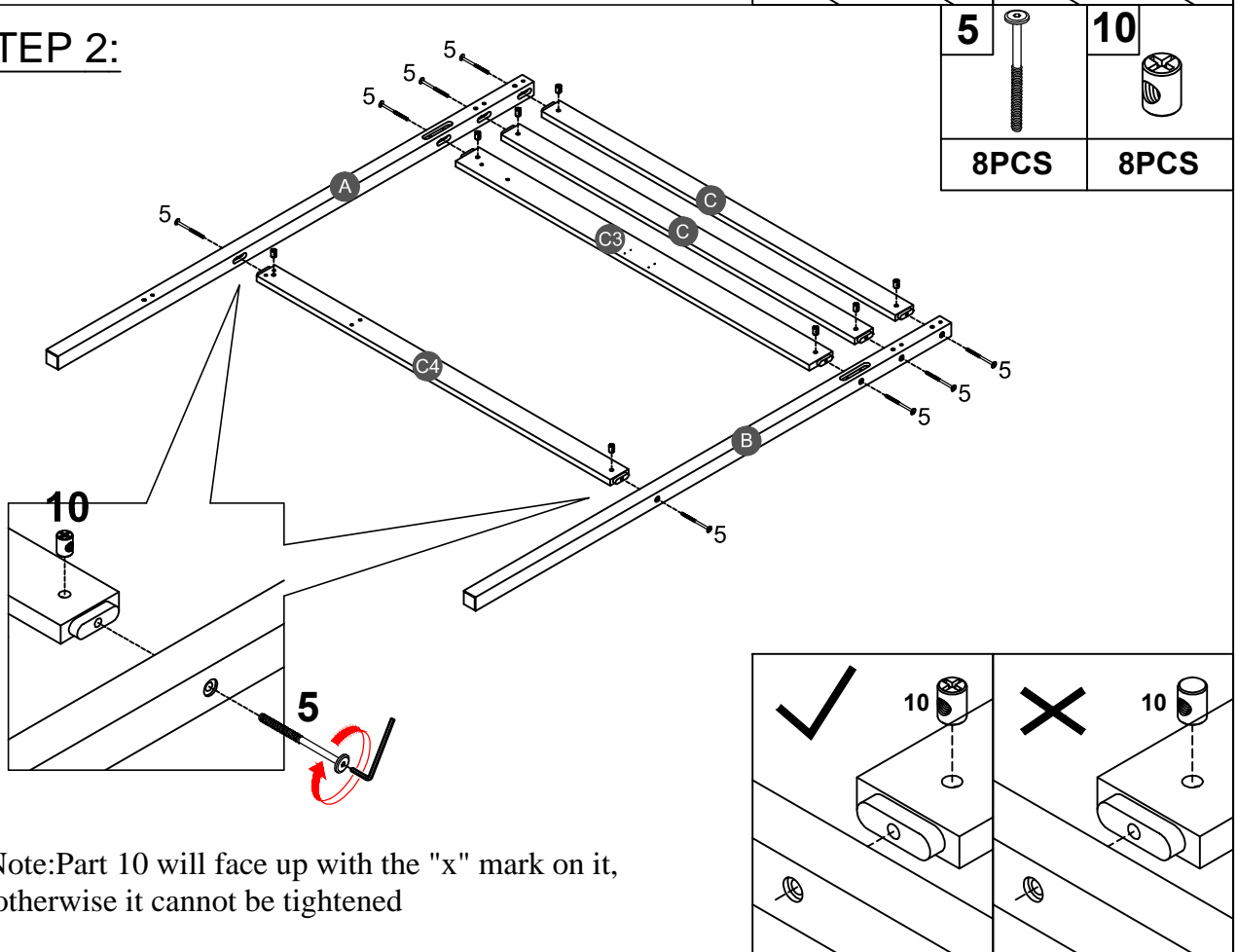


PLEASE BE CAREFUL DO NOT DAMAGE THE HOLE POSITION WHEN YOU USE POWER TOOLS !

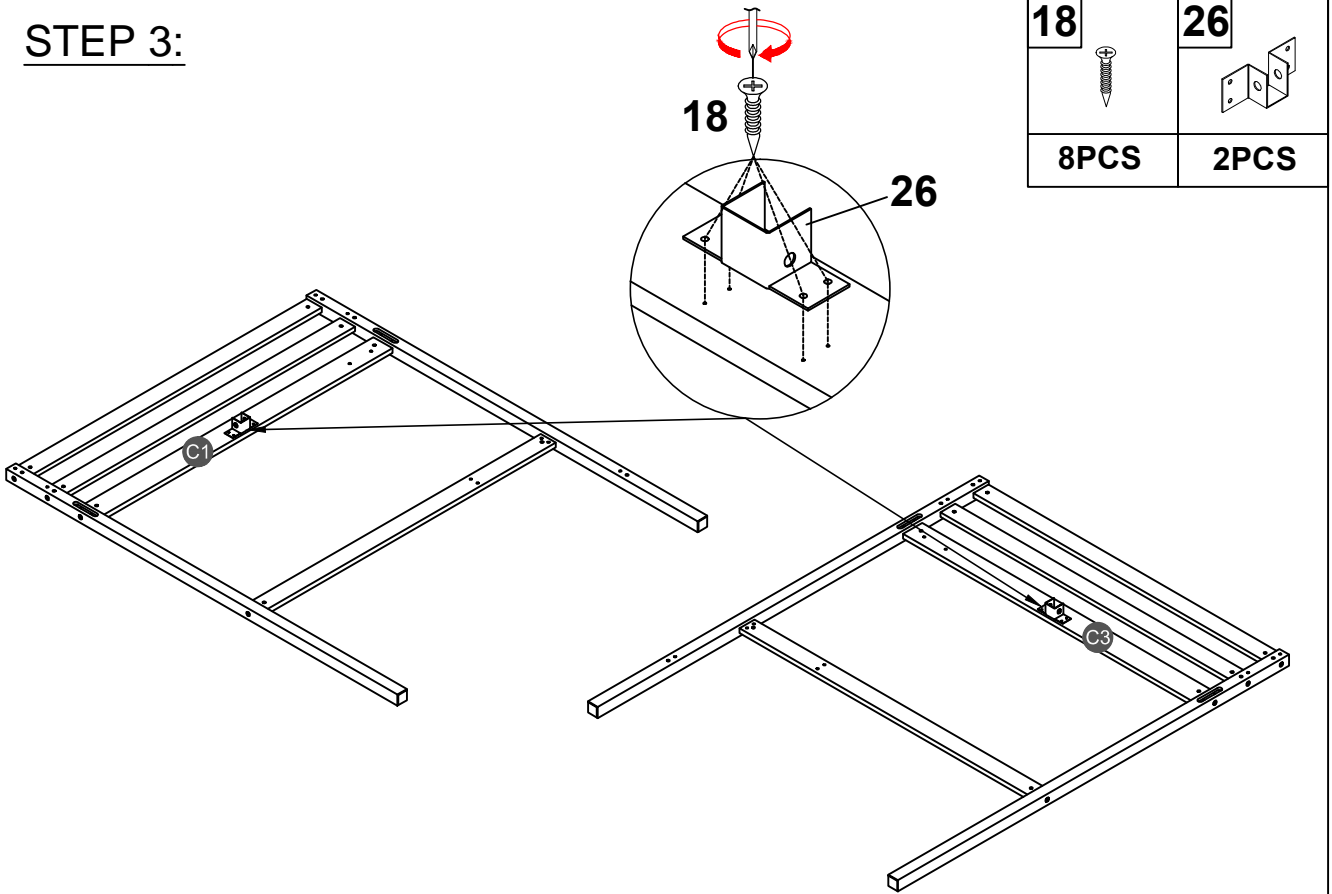
**STEP 1:**


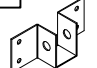


**STEP 2:**

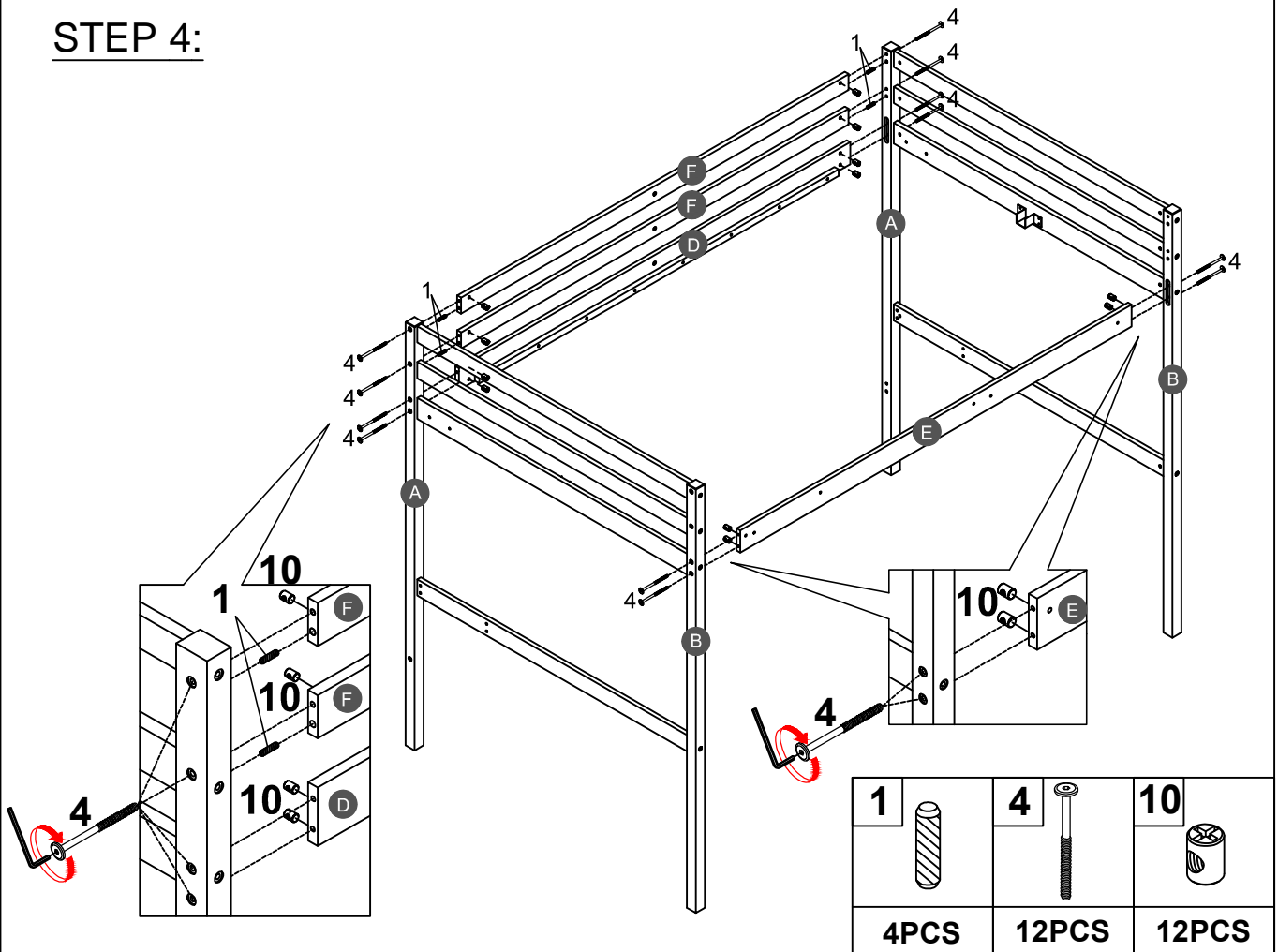





**STEP 3:**



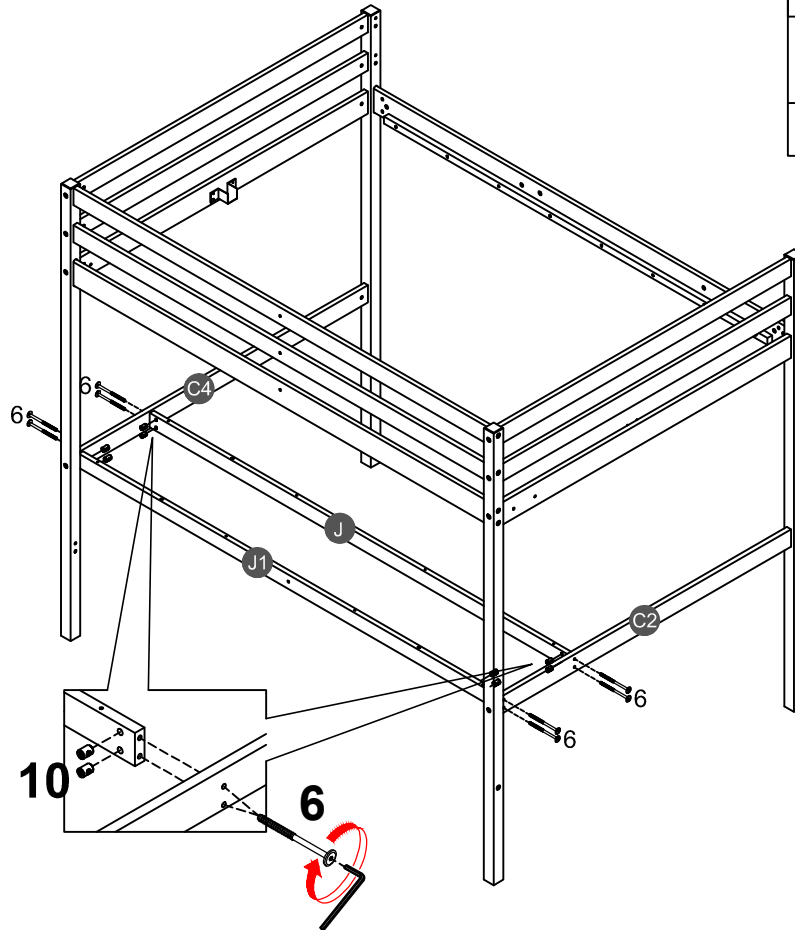
<b>18</b>		<b>26</b>	
	<b>8PCS</b>		<b>2PCS</b>

**STEP 4:**



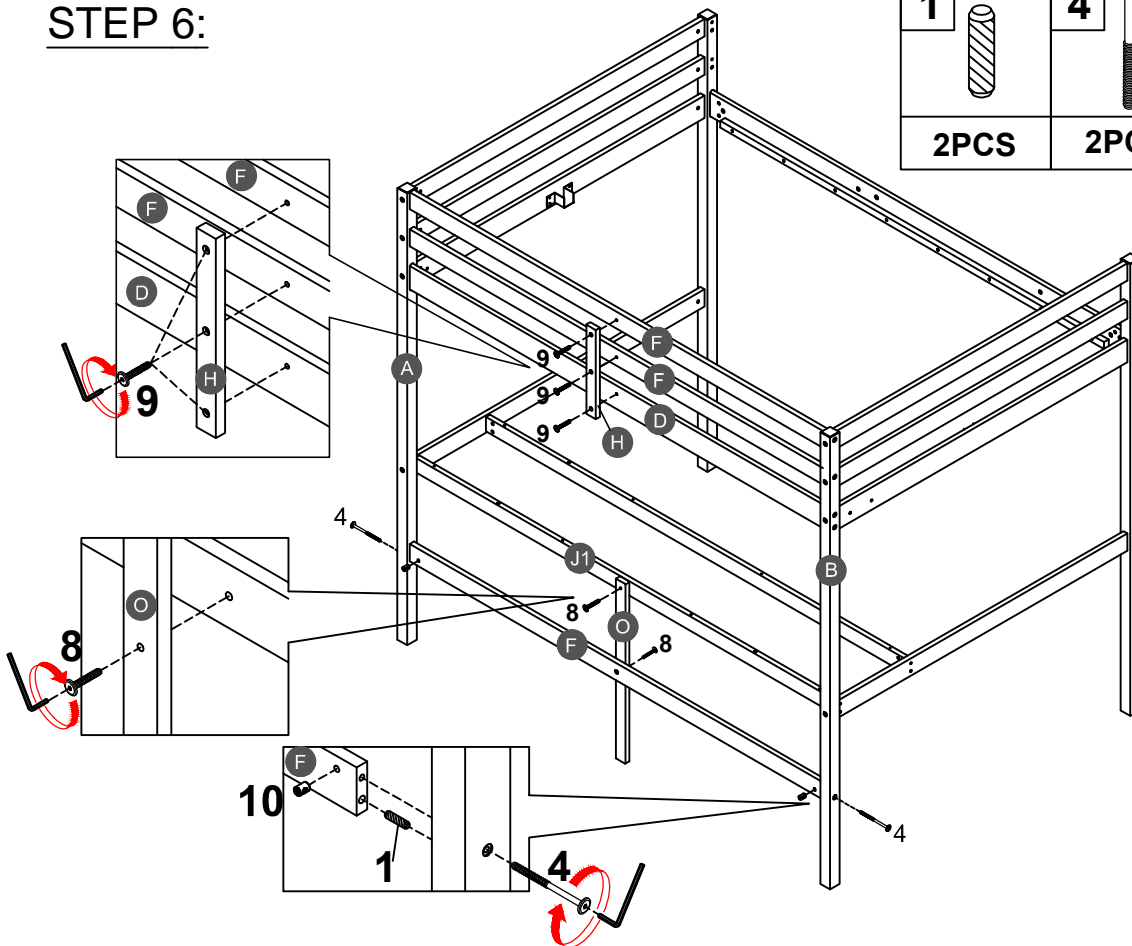
<b>1</b>		<b>4</b>		<b>10</b>	
	<b>4PCS</b>		<b>12PCS</b>		<b>12PCS</b>

### STEP 5:



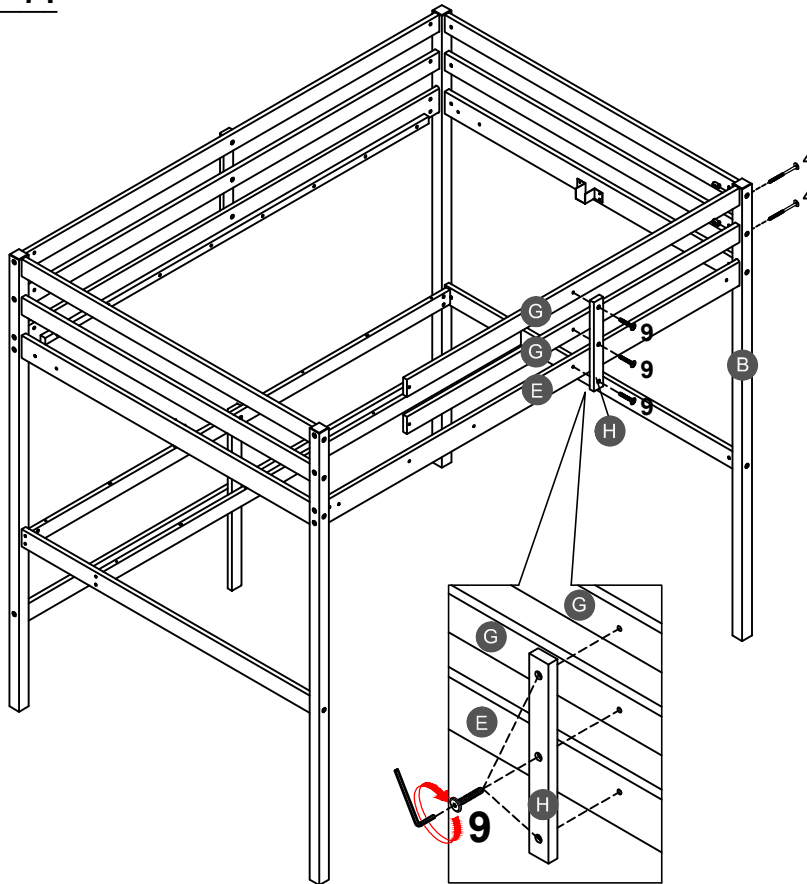
<b>6</b>		<b>10</b>	
<b>8PCS</b>		<b>8PCS</b>	

### STEP 6:

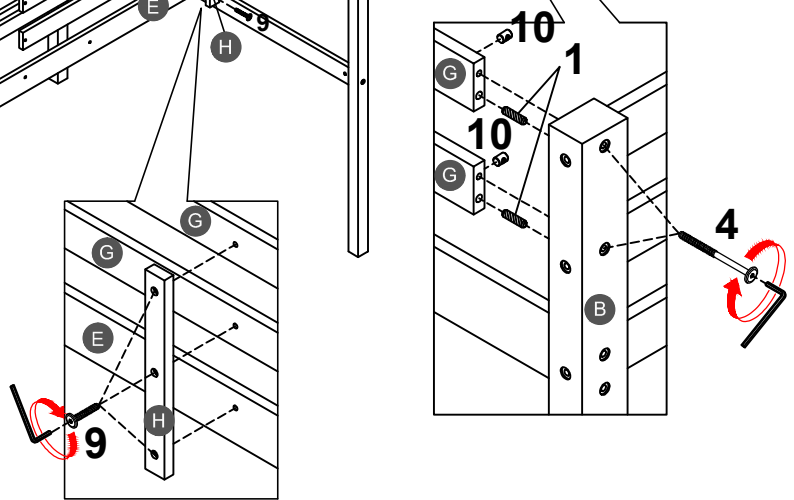


<b>1</b>		<b>4</b>		<b>8</b>	
<b>2PCS</b>		<b>2PCS</b>		<b>2PCS</b>	
				<b>9</b>	
				<b>3PCS</b>	
				<b>10</b>	
				<b>2PCS</b>	

**STEP 7:**

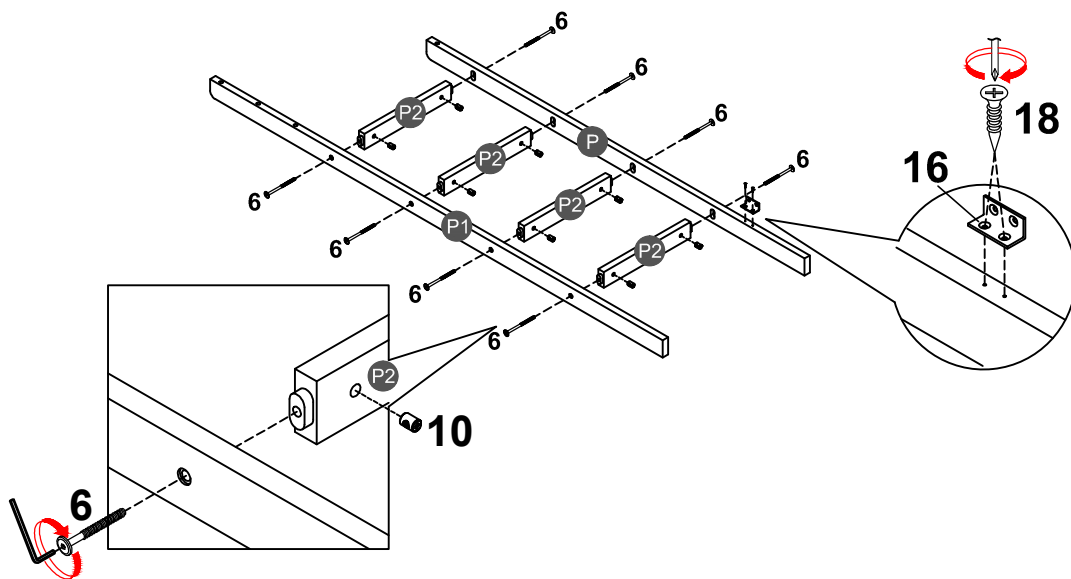


<b>1</b>		<b>4</b>	
<b>2PCS</b>		<b>2PCS</b>	
<b>10</b>			
<b>2PCS</b>			

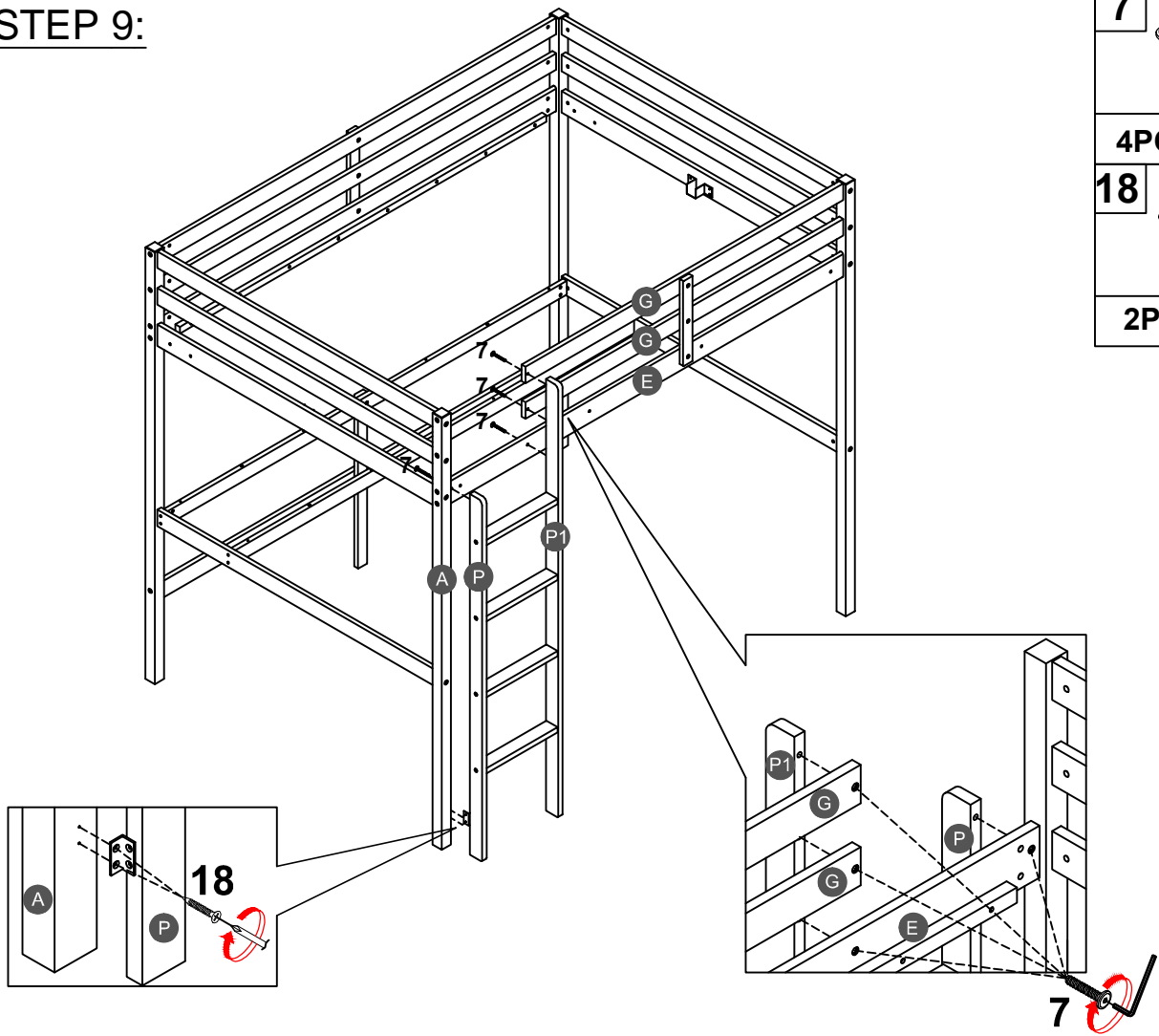


**STEP 8:**

<b>6</b>		<b>10</b>		<b>16</b>		<b>18</b>	
<b>8PCS</b>		<b>8PCS</b>		<b>1PC</b>		<b>2PCS</b>	

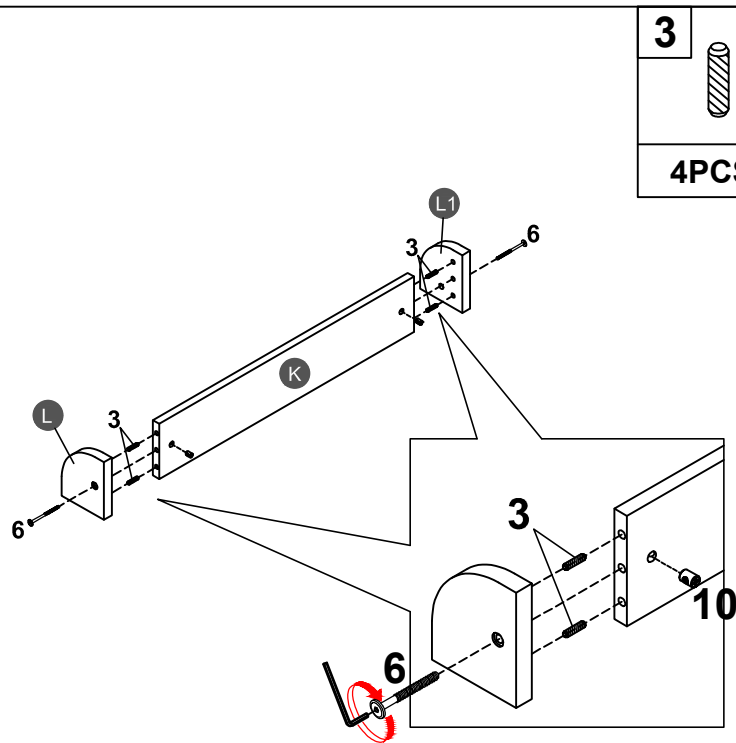


**STEP 9:**





7	
4PCS	
18	
2PCS	

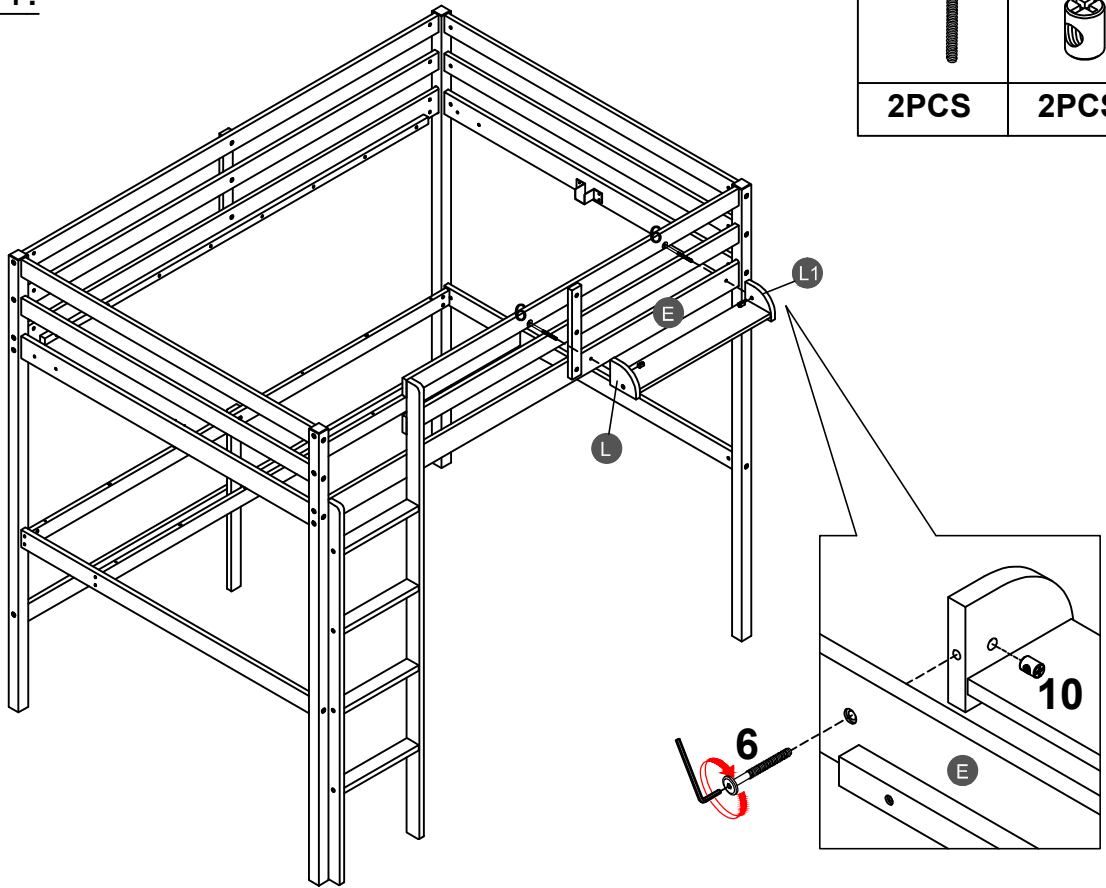
**STEP 10:**





3		6		10	
4PCS		2PCS		2PCS	

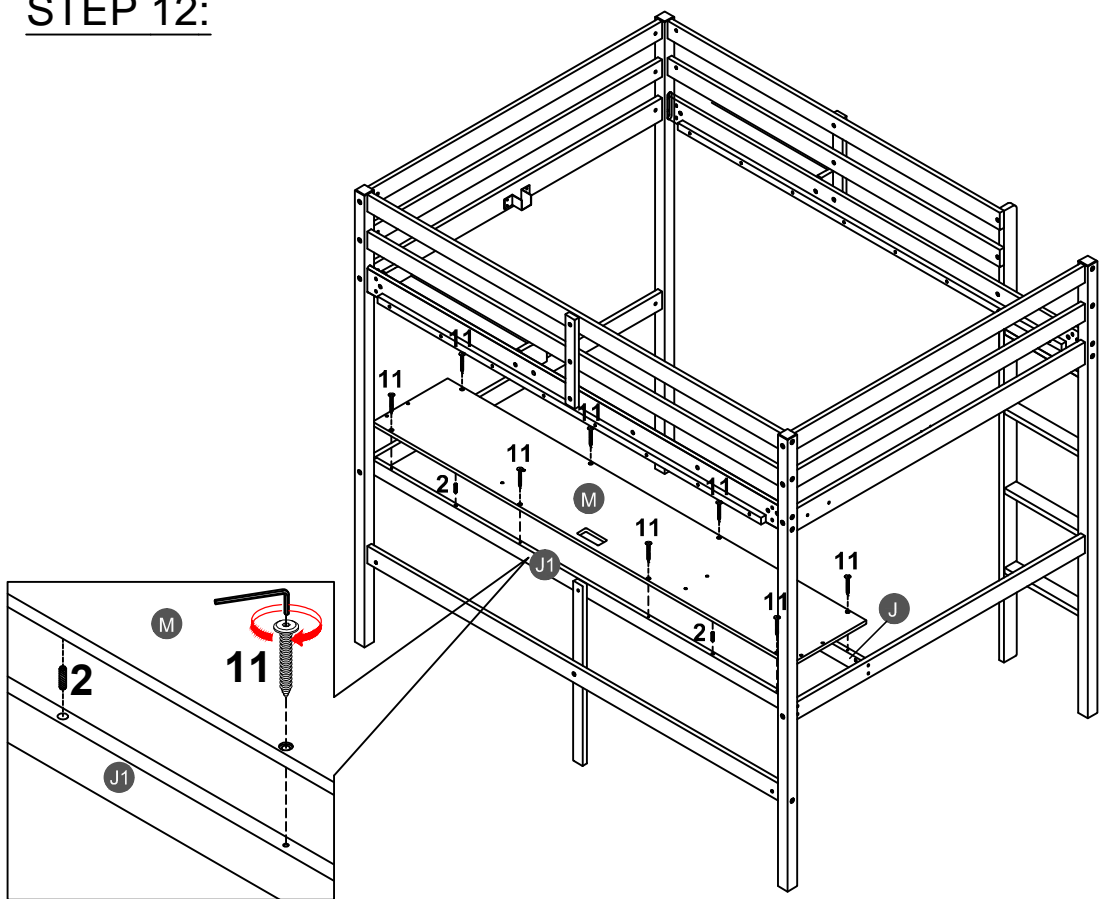
**STEP 11:**

<b>6</b>		<b>10</b>	
<b>2PCS</b>		<b>2PCS</b>	

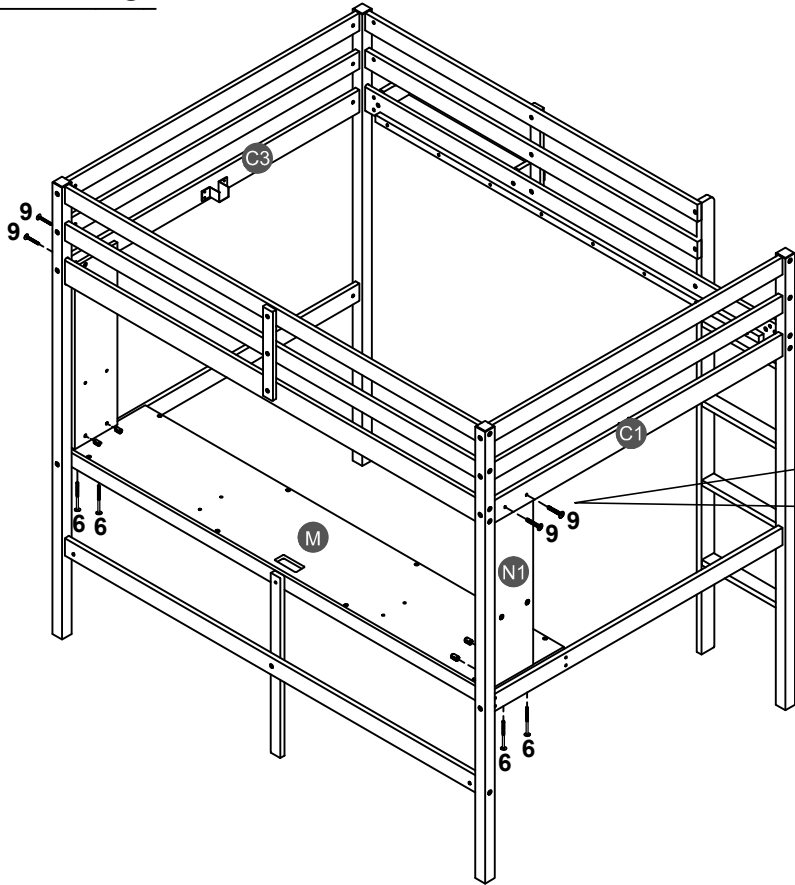


**STEP 12:**

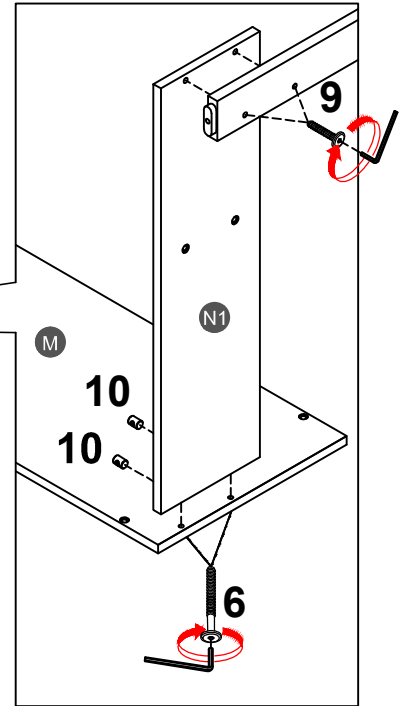
<b>2</b>	
<b>4PCS</b>	
<b>11</b>	
<b>8PCS</b>	



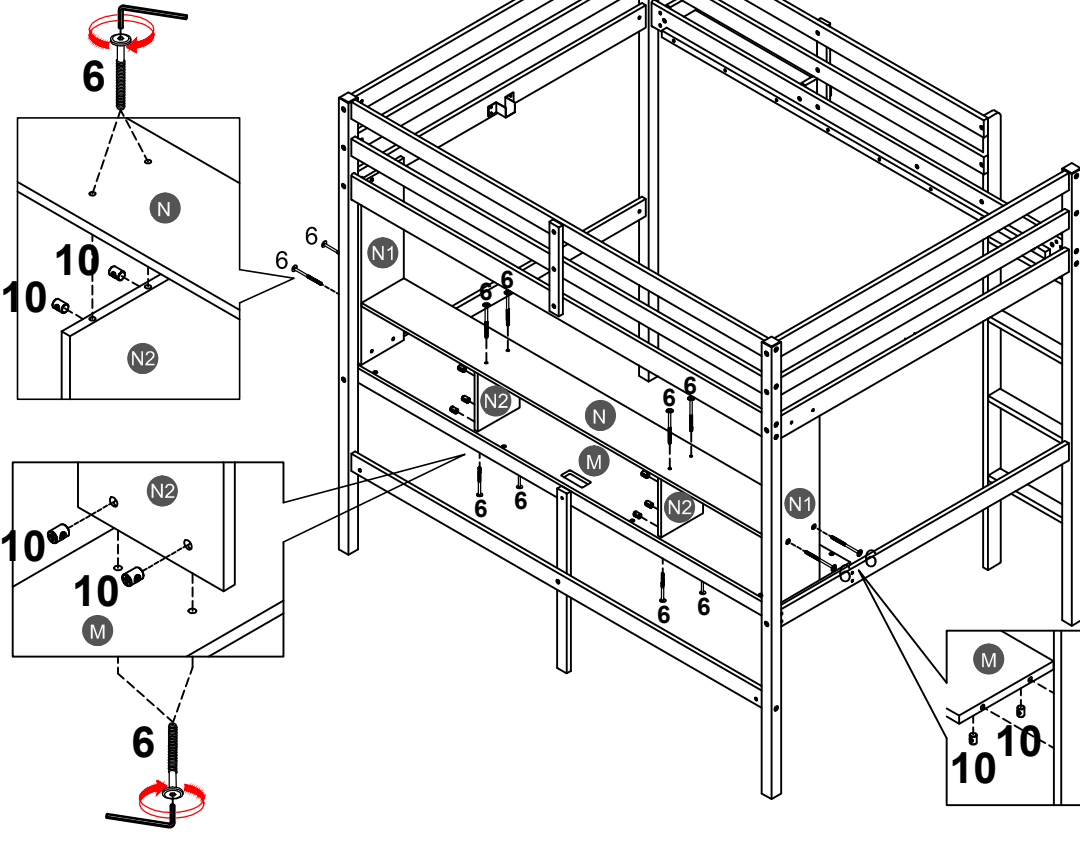
**STEP 13:**



<b>6</b>		<b>9</b>		<b>10</b>	
<b>4PCS</b>		<b>4PCS</b>		<b>4PCS</b>	





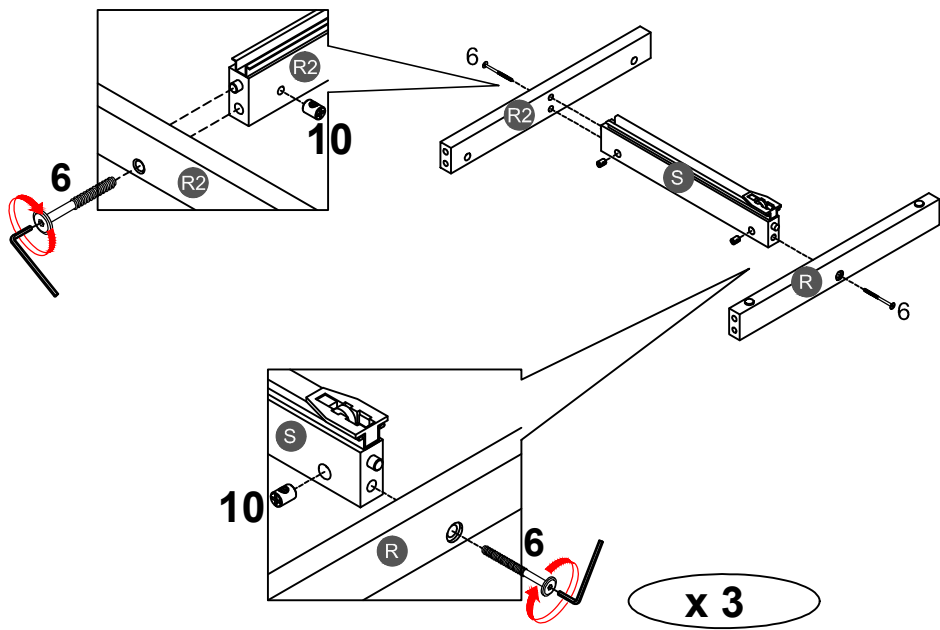
**STEP 14:**






<b>6</b>	
<b>12PCS</b>	
<b>10</b>	
<b>12PCS</b>	

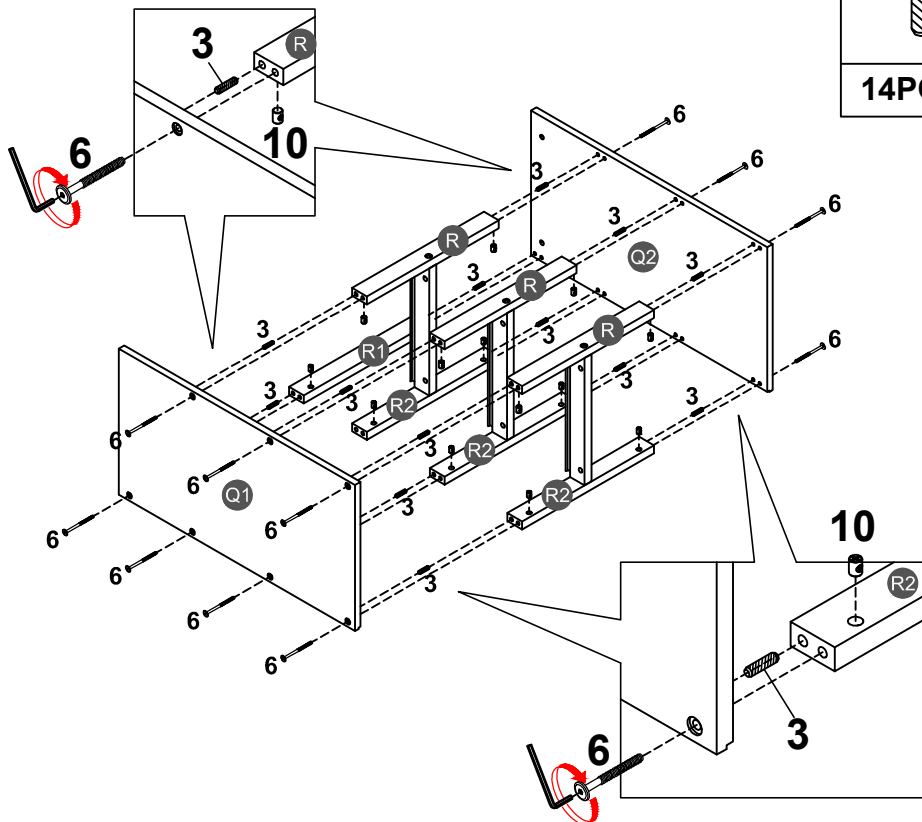
# STEP 15:

<b>6</b>		<b>10</b>	
<b>6PCS</b>		<b>6PCS</b>	

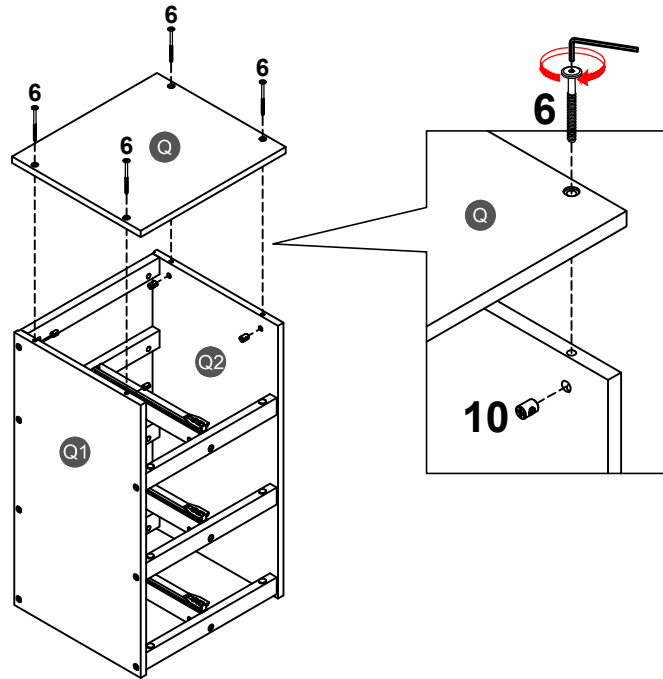




# STEP 16:

<b>3</b>		<b>6</b>	
<b>14PCS</b>		<b>14PCS</b>	
		<b>10</b>	
<b>14PCS</b>			

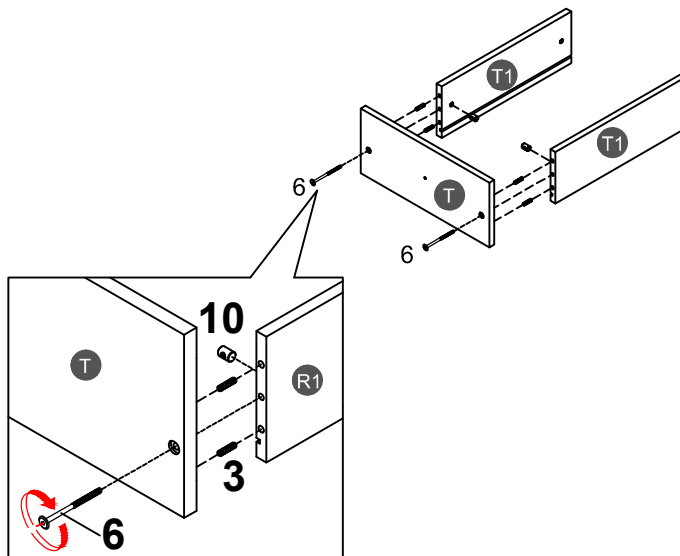





**STEP 17:**



<b>6</b>		<b>10</b>	
<b>4PCS</b>		<b>4PCS</b>	

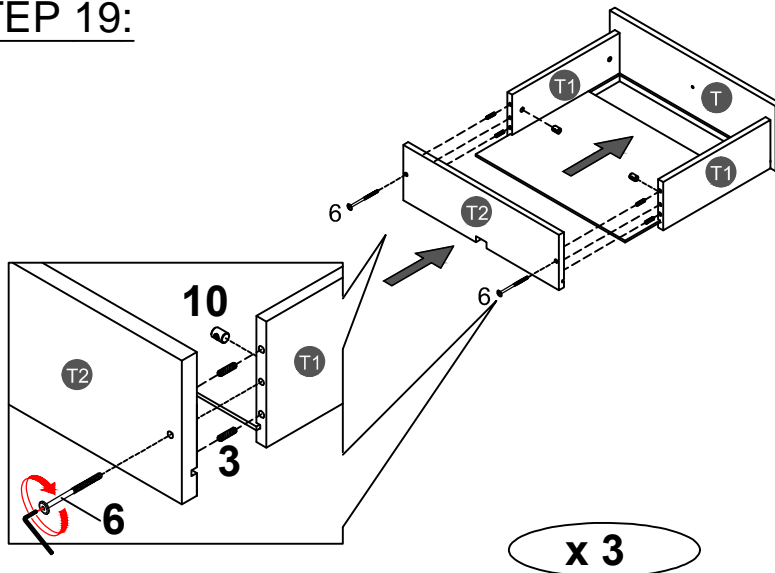
**STEP 18:**






<b>3</b>		<b>6</b>	
<b>12PCS</b>		<b>6PCS</b>	
		<b>10</b>	
		<b>6PCS</b>	

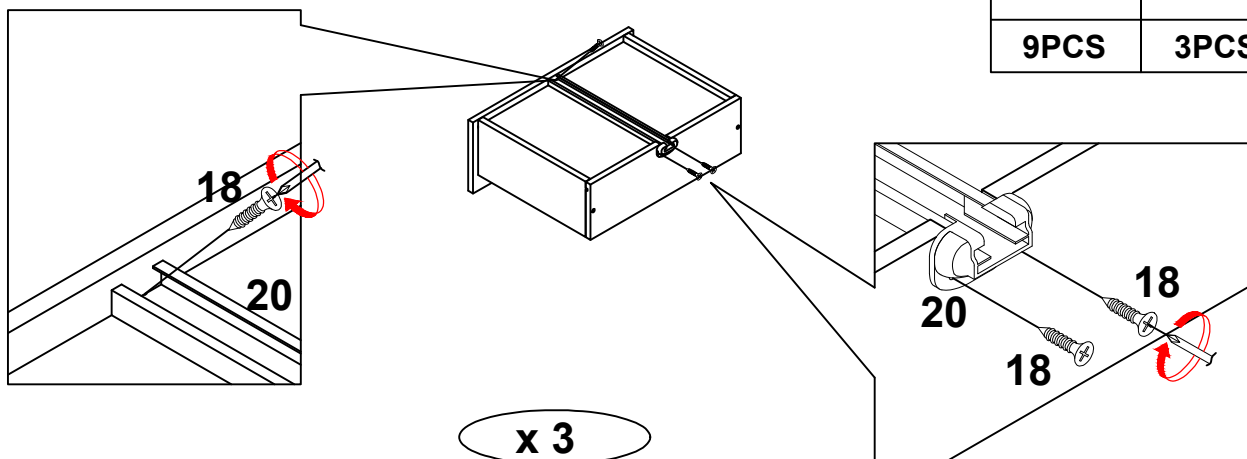
**x 3**



**STEP 19:**



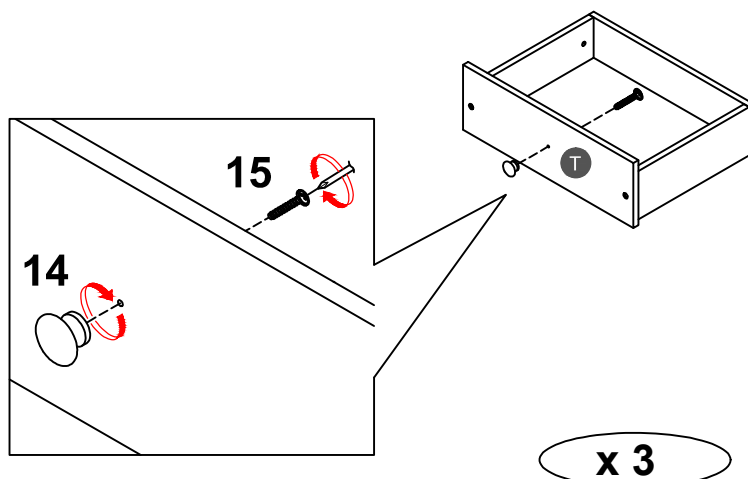
<b>3</b>		<b>6</b>	
<b>12PCS</b>		<b>6PCS</b>	
		<b>10</b>	
		<b>6PCS</b>	



**STEP 20:**



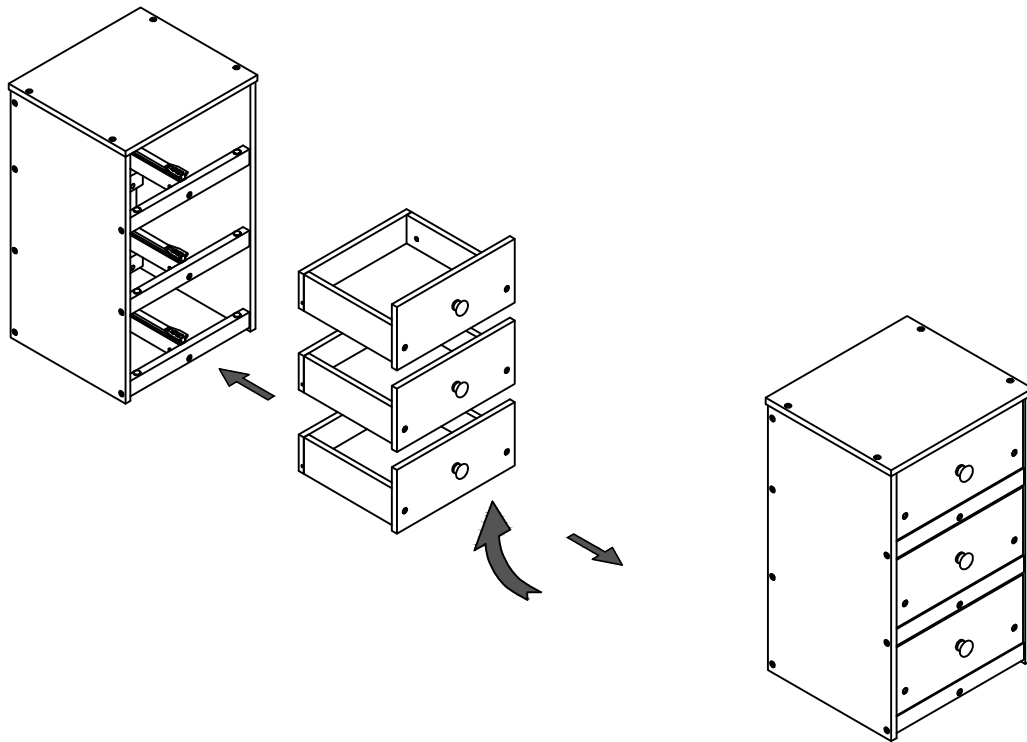
<b>18</b>		<b>20</b>	
<b>9PCS</b>		<b>3PCS</b>	

**STEP 21:**




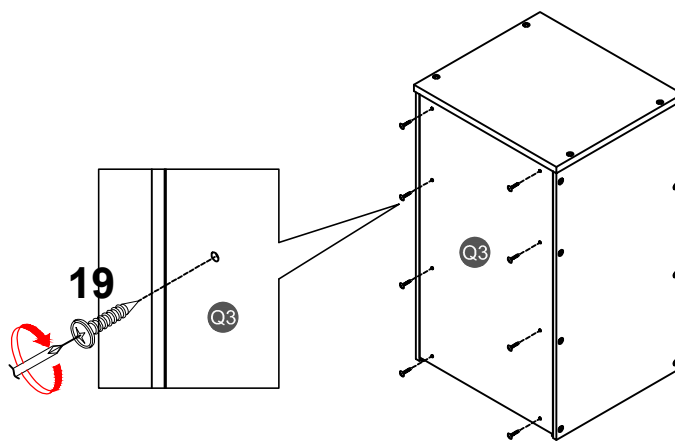
<b>14</b>		<b>15</b>	
<b>3PCS</b>		<b>3PCS</b>	

**STEP 22:**

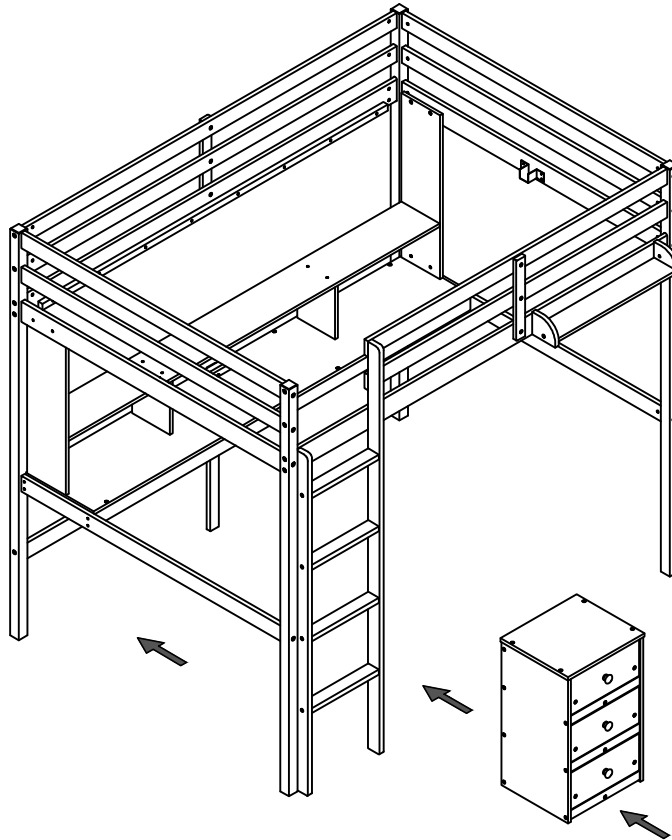


**STEP 23:**

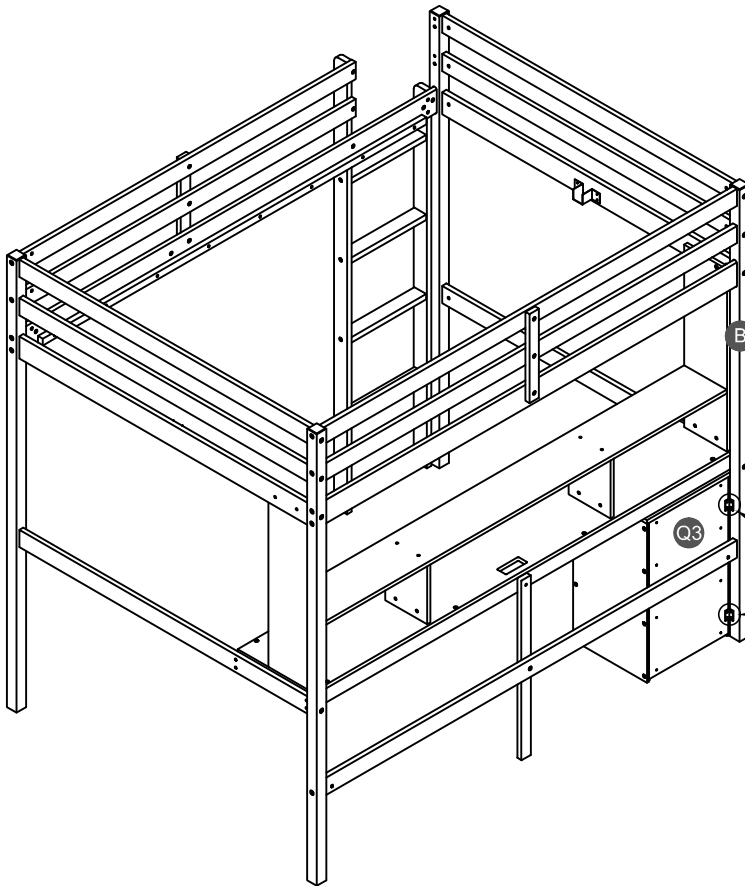
**19**  
  
**8PCS**

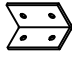



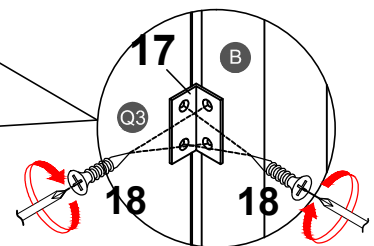
**STEP 24:**



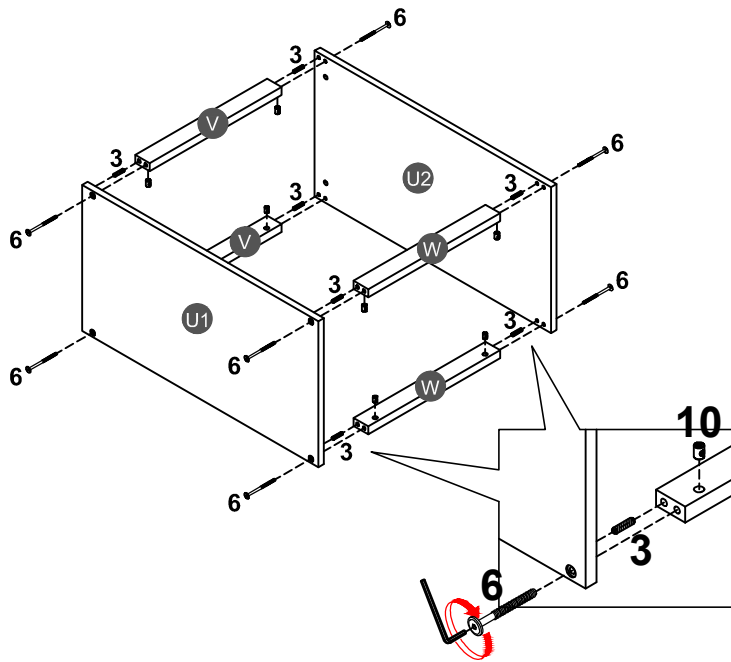
**STEP 25:**






<b>17</b>	<b>18</b>
	
<b>2PCS</b>	<b>8PCS</b>

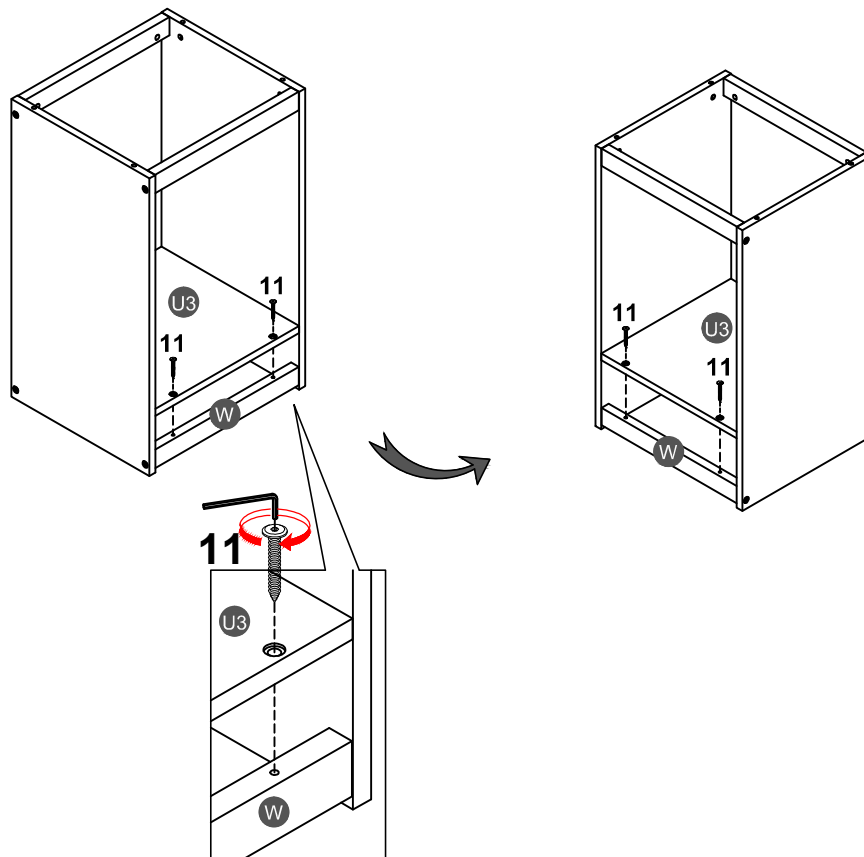



### STEP 26:





<b>3</b> 	<b>6</b> 
<b>8PCS</b>	<b>8PCS</b>
<b>10</b> 	
<b>8PCS</b>	

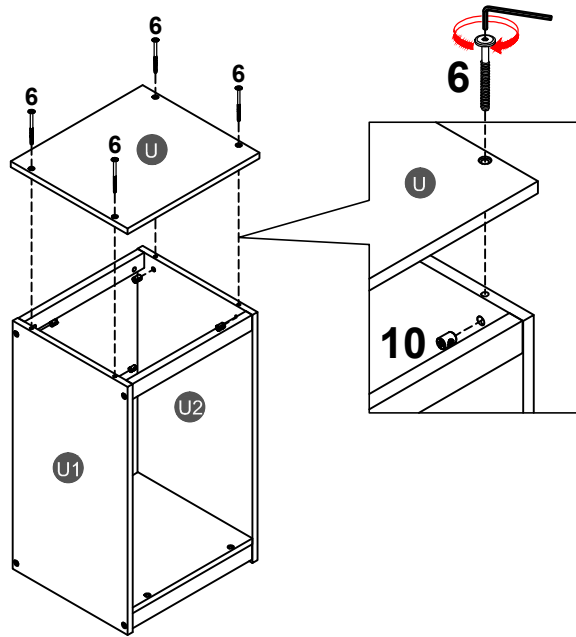
### STEP 27:



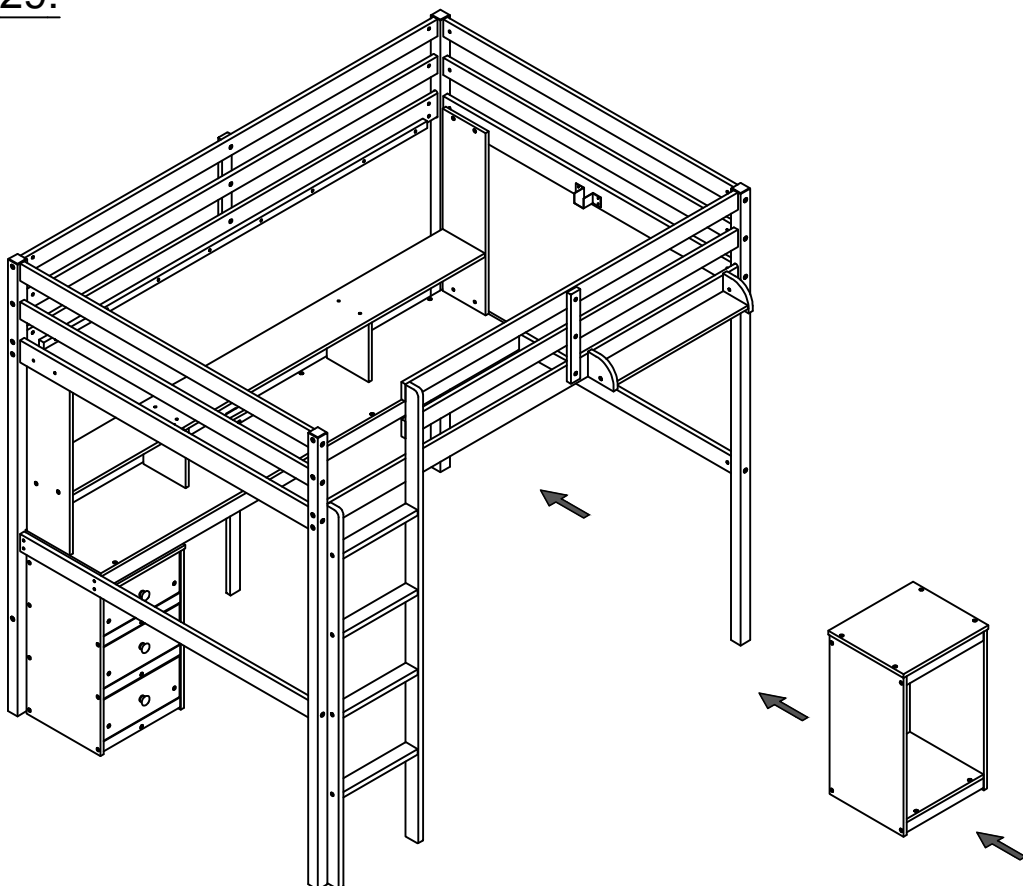
<b>11</b> 
<b>4PCS</b>

**STEP 28:**

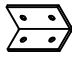

<b>6</b>		<b>10</b>	
<b>4PCS</b>		<b>4PCS</b>	

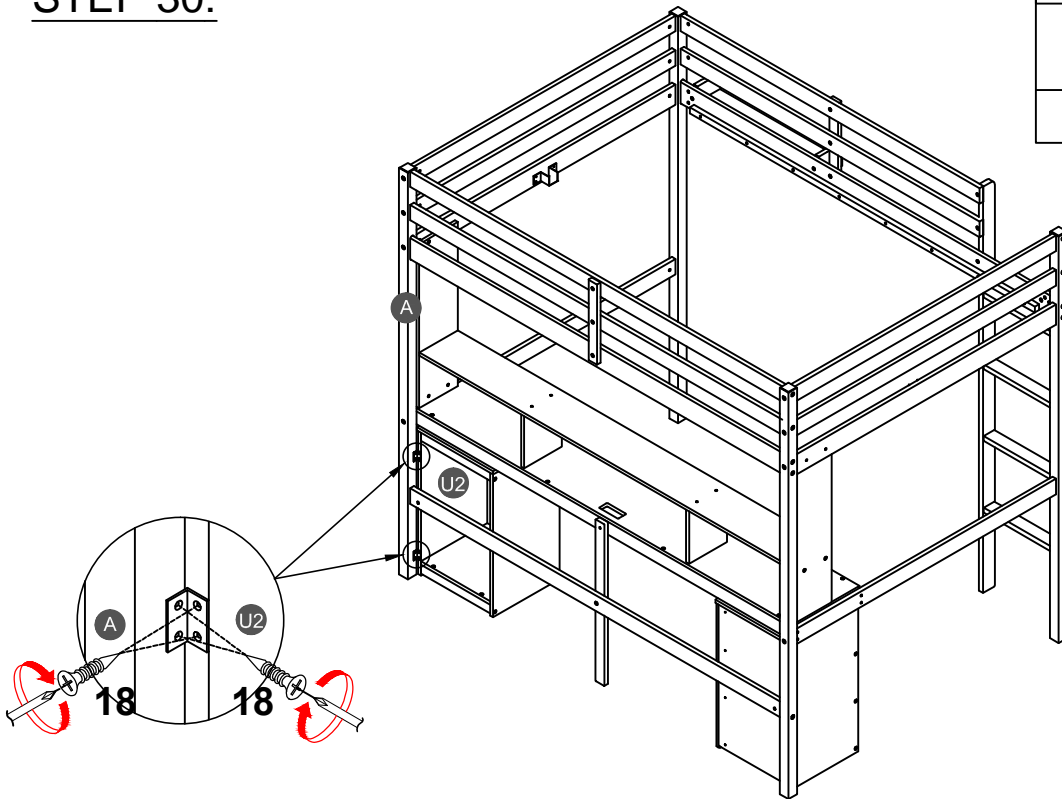


**STEP 29:**


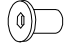


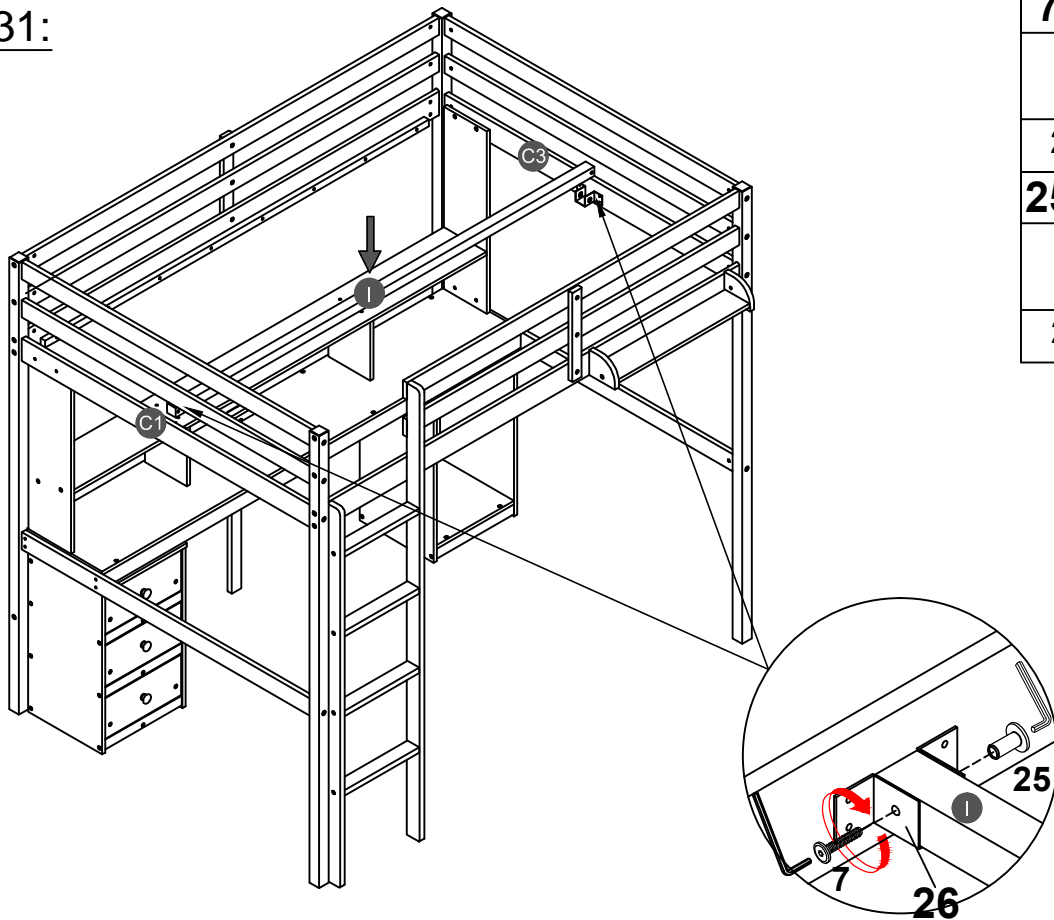
**STEP 30:**

<b>17</b>		<b>18</b>	
<b>2PCS</b>		<b>8PCS</b>	



**STEP 31:**

<b>7</b>	
<b>2PCS</b>	
<b>25</b>	
<b>2PCS</b>	

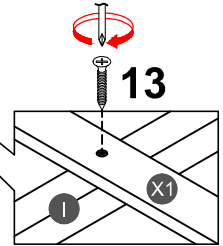
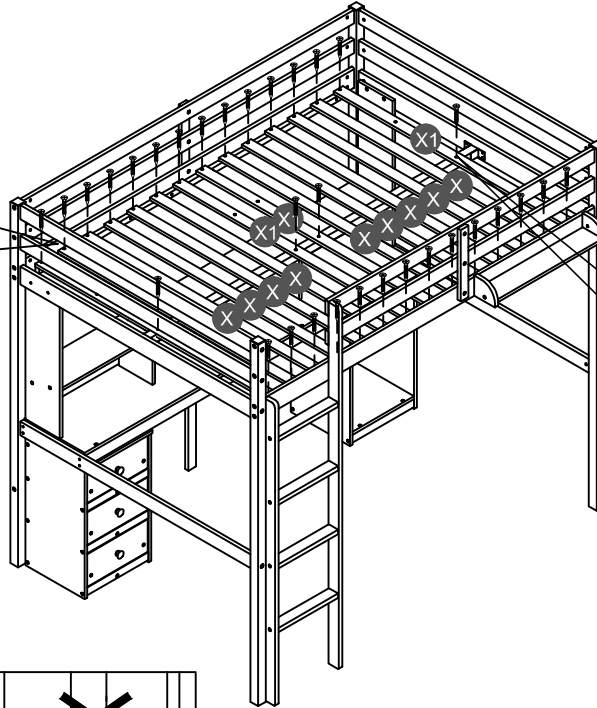
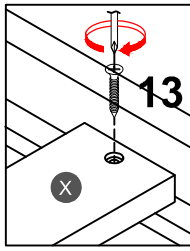


## STEP 32:

13



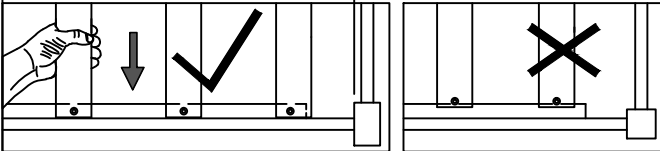
32PCS



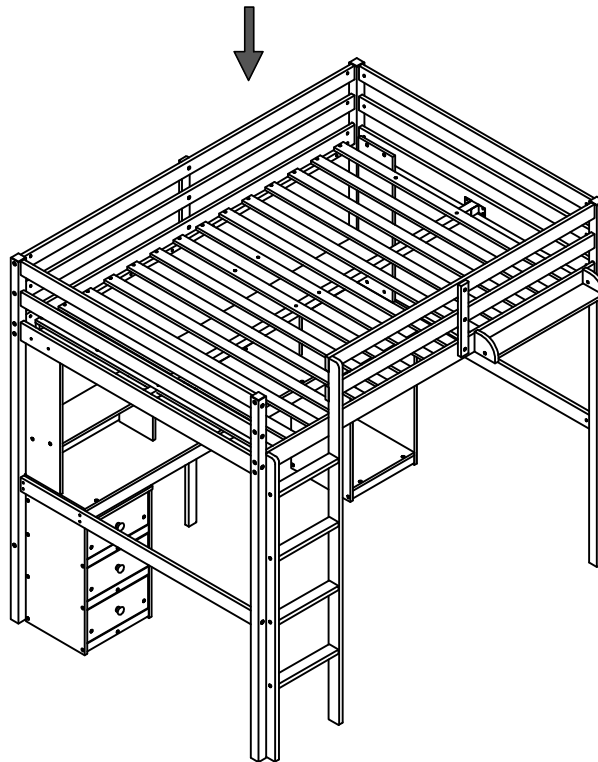
(3.1")  
79mm

(3.3")  
84.5mm

(2.4")  
61mm





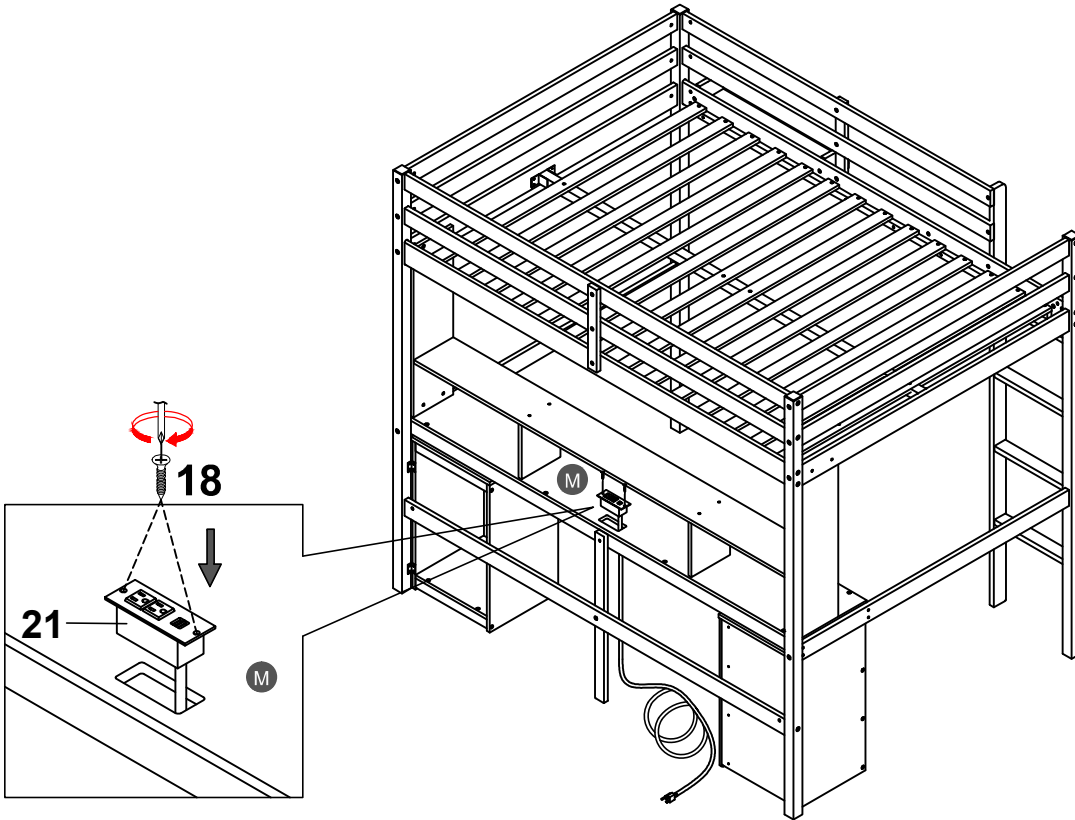
Note: Do not lock the screws of the bed slats to the outermost edge of the bed slats, you need to leave a certain space at the edges, otherwise it will cause the board to break. Do not lock the bed slats on the edge of the wood, please hold firmly before screwing, hold it in place with one hand, then lock the screw.




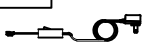
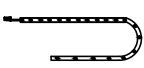

**Make sure to tighten all the screws of the bed.**

**STEP 33:**

<b>18</b>	
<b>2PCS</b>	
<b>21</b>	
<b>1PC</b>	



**STEP 34:**

<b>18</b>		<b>22</b>	
<b>1PC</b>		<b>1PC</b>	
		<b>23</b>	
		<b>1PC</b>	
		<b>24</b>	
		<b>1PC</b>	

