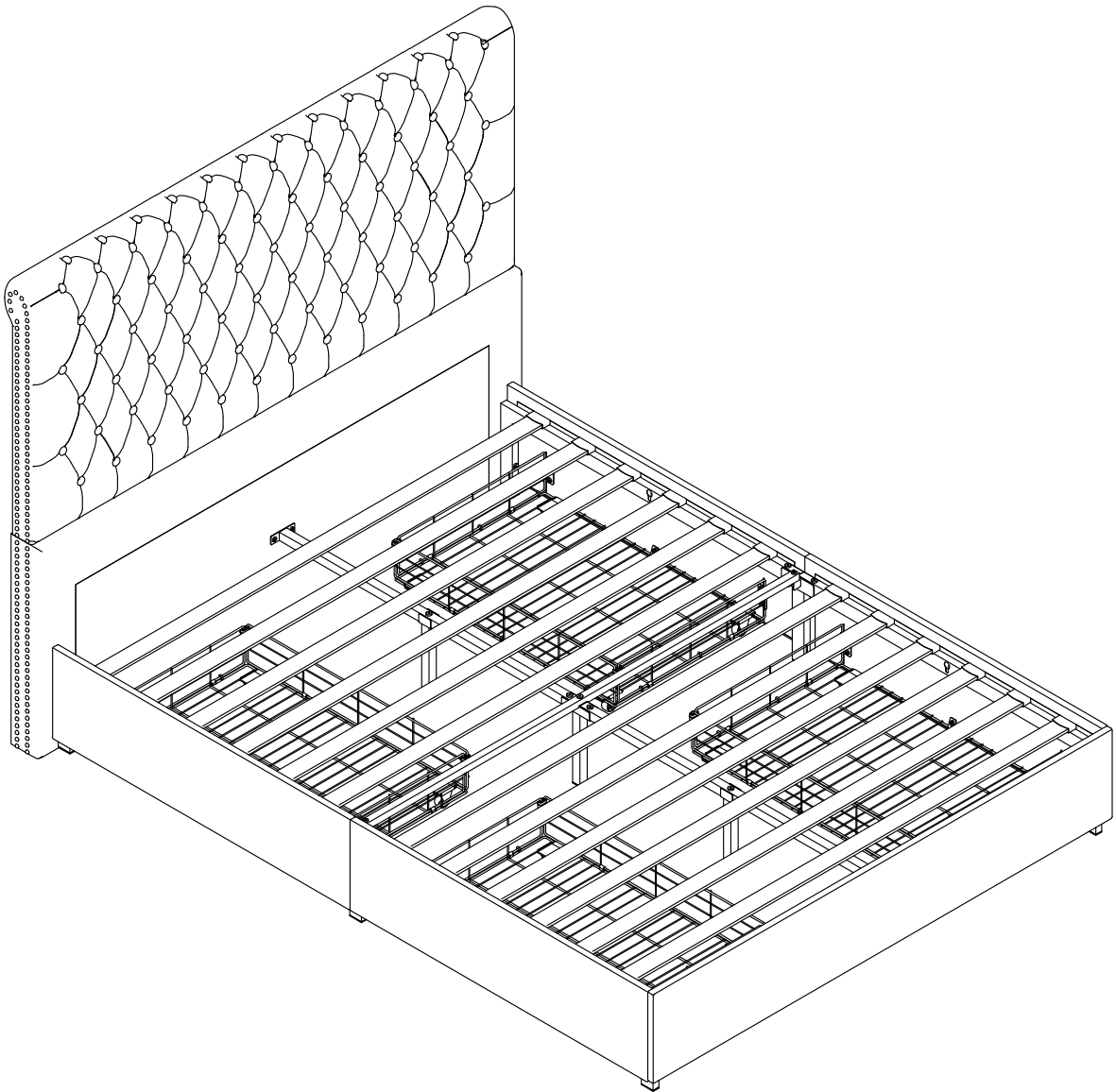


User's Manual

Bed Frame



Queen Size

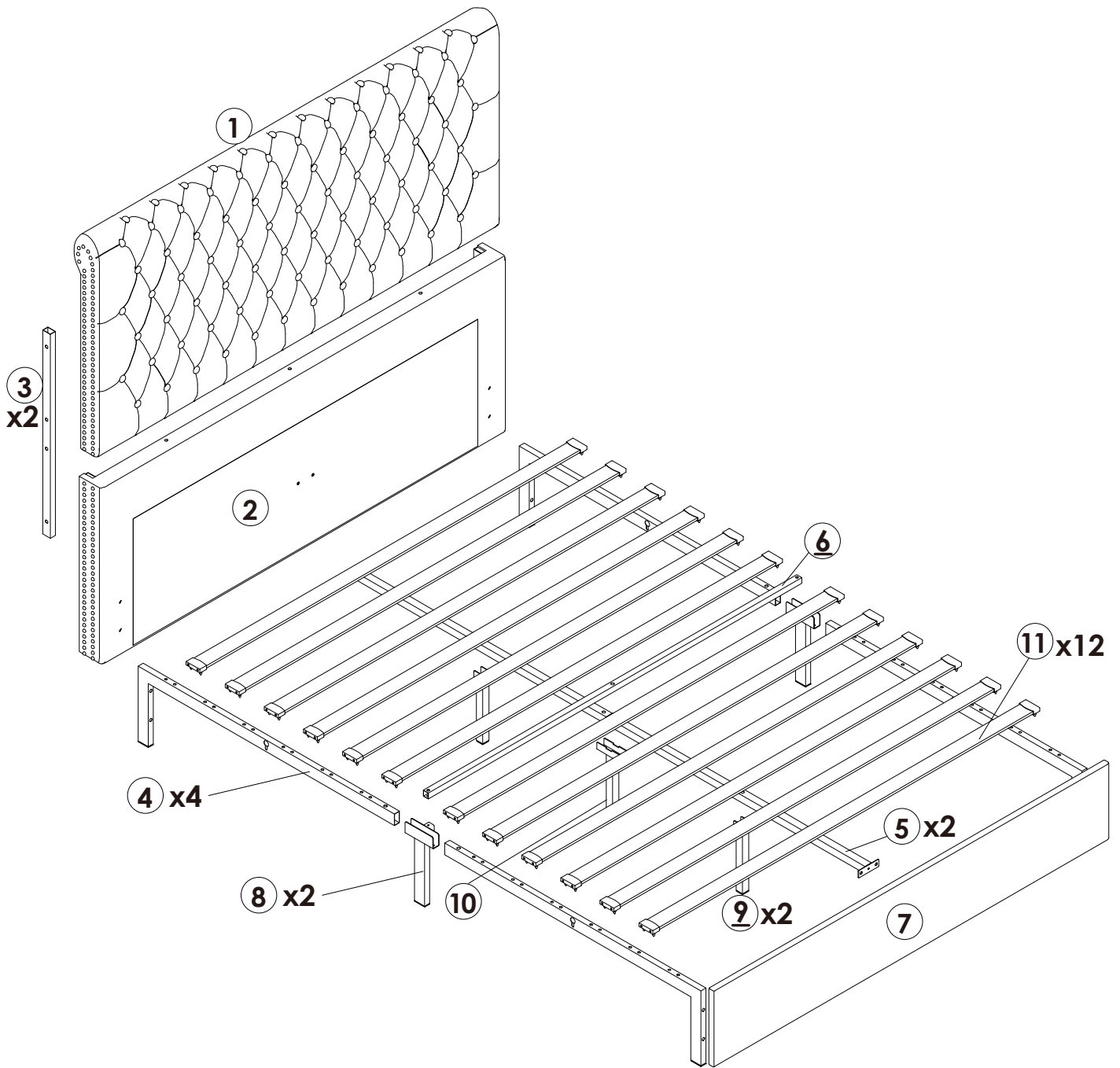
EN | ES

Contact us first if you have any problems, we would do better than official service. Replacement for missing or damaged parts will be shipped ASAP!

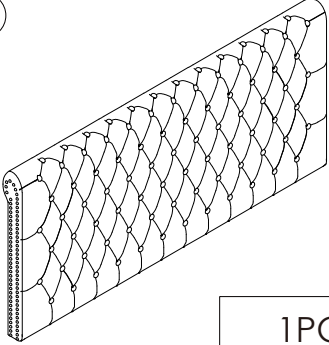
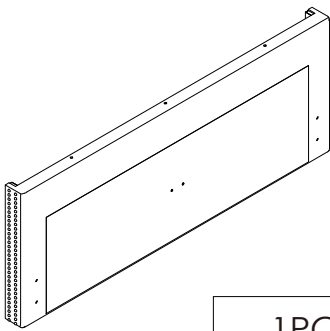

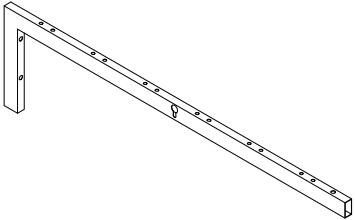
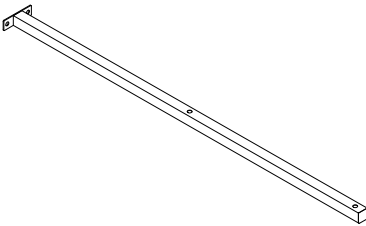
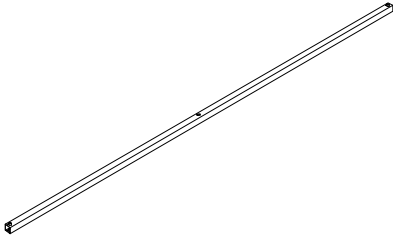
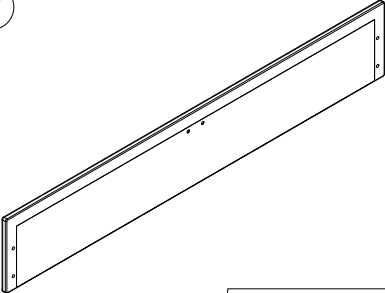
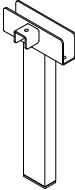

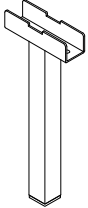
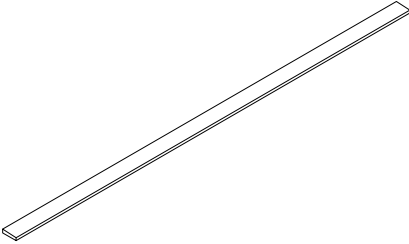
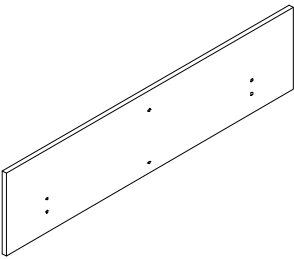
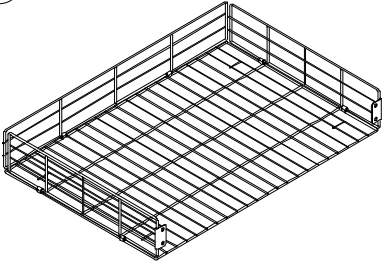
EN | ES

Si tiene algún problema con su producto o pedido, póngase en contacto con nosotros antes de consultar con el servicio de atención al cliente de le resolveremos su problema con mayor brevedad. ¡Reemplazamos piezas perdidas o dañadas enviándolas rápidamente


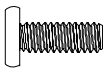
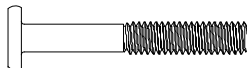

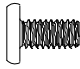
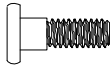

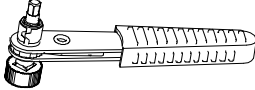
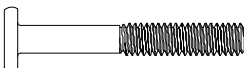



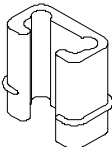
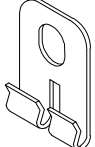
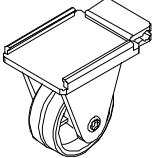
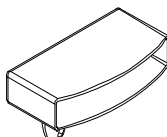
Assembly Instruction of (Bed)



Assembly Instruction of (Bed)

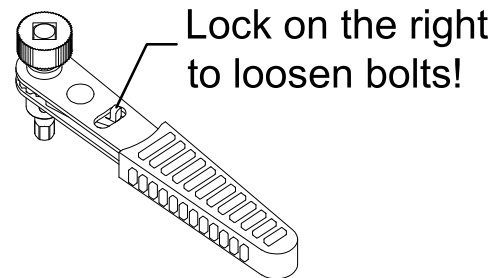
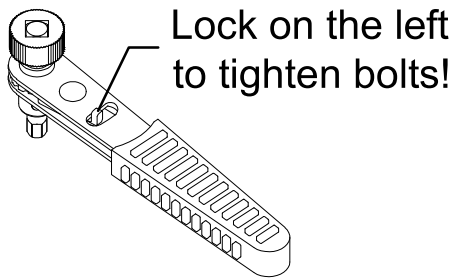
<p>①</p>  <p>1PC</p>	<p>②</p>  <p>1PC</p>	<p>③</p>  <p>2PCS</p>
<p>④</p>  <p>4PCS</p>	<p>⑤</p>  <p>2PCS</p>	<p>⑥</p>  <p>1PC</p>
<p>⑦</p>  <p>1PC</p>	<p>⑧</p>  <p>2PCS</p>	<p>⑨</p>  <p>2PCS</p>
<p>⑩</p>  <p>1PC</p>	<p>⑪</p>  <p>12PCS</p>	<p>⑫</p>  <p>4PCS</p>
<p>⑬</p>  <p>4PCS</p>		

Assembly Instruction of (Bed)

<p>A</p>  <p>1/4×35mm 2PCS</p>	<p>B</p>  <p>1/4×19mm 4PCS</p>	<p>C</p>  <p>5/16×48mm 5PCS</p>
<p>D</p>  <p>5/16×35mm 4PCS</p>	<p>E</p>  <p>1/4×10mm 20+2PCS</p>	<p>F</p>  <p>1/4×16mm 4PCS</p>
<p>G</p>  <p>1/4×40mm 3PCS</p>	<p>H</p>  <p>1/4 1PC</p>	<p>I</p>  <p>5/16×55mm 8+1PCS</p>
<p>J</p>  <p>1/4 8+1PCS</p>	<p>K</p>  <p>1/4×30mm 8+1PCS</p>	<p>L</p>  <p>8+1PCS</p>
<p>M</p>  <p>8+1PCS</p>	<p>N</p>  <p>4+1PCS</p>	<p>O</p>  <p>16PCS</p>
<p>P</p>  <p>24+2PCS</p>		

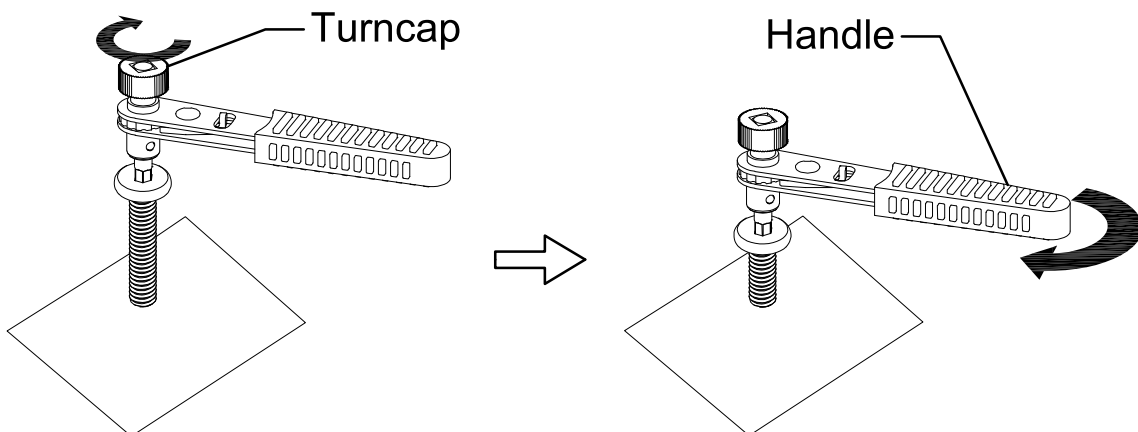
How to Use the Ratchet Tool (H)

1. Before assembling the furniture, please adjust the lock as needed.

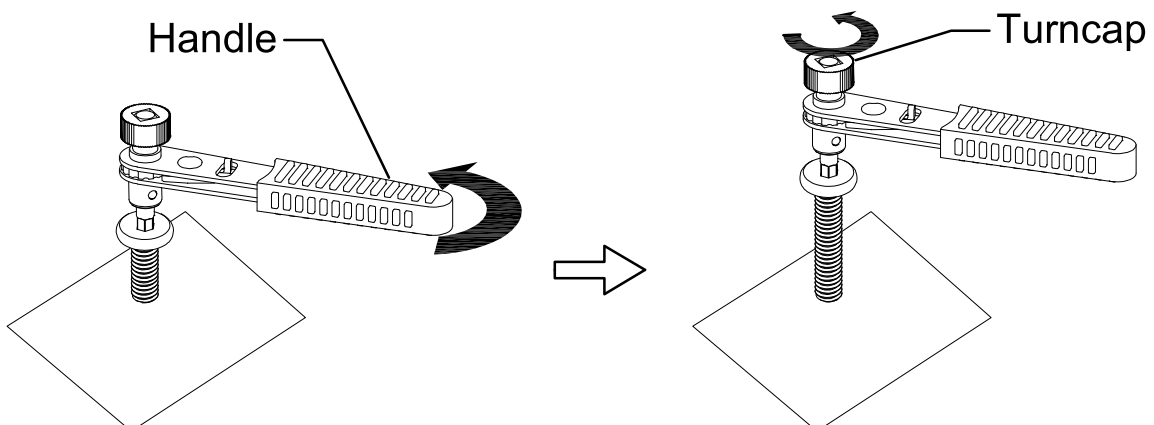


2. Tighten or loosen bolts.

- **Tighten bolts:** Locate the turncap and rotate it clockwise to screw the bolt quickly until it cannot be rotated any more. Then start rotating the handle clockwise to finalize tightening the bolt.

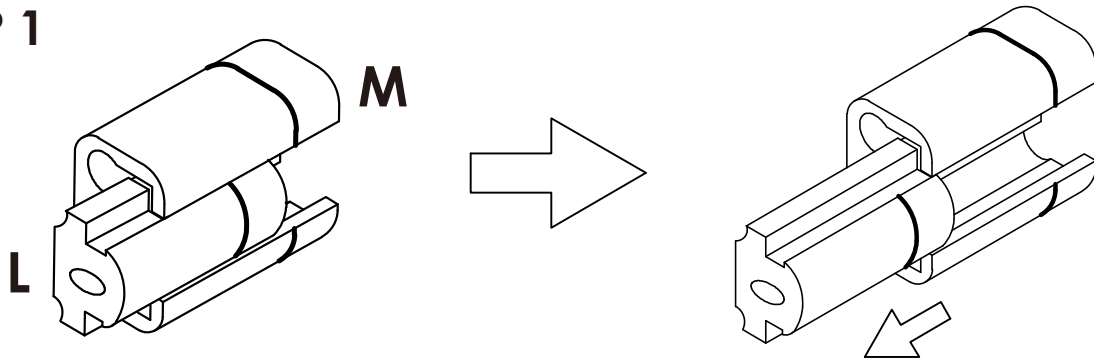


- **Loosen bolts:** Rotate the handle counterclockwise to loosen the bolt. Then continue rotating the turncap in the same direction to remove the bolt completely.

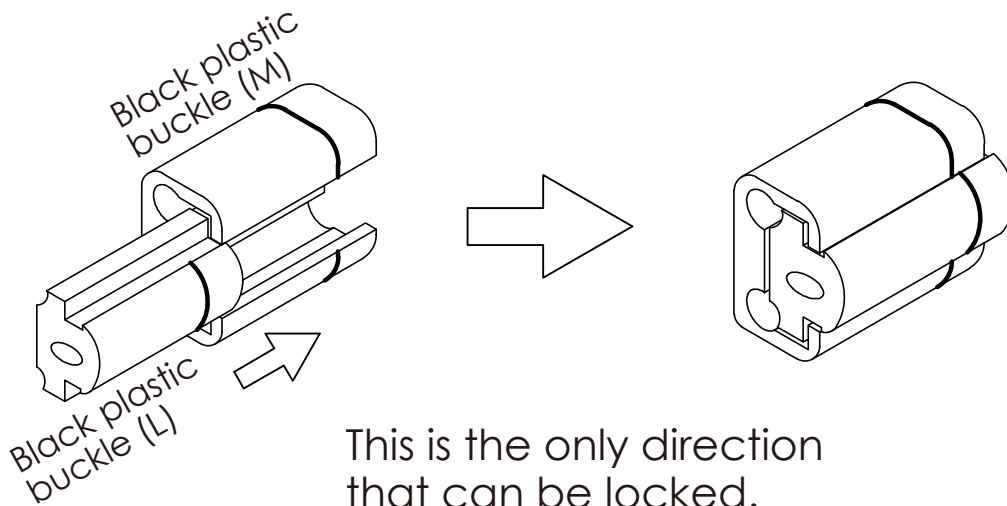


Assembly Instruction of (Drawer)

STEP 1

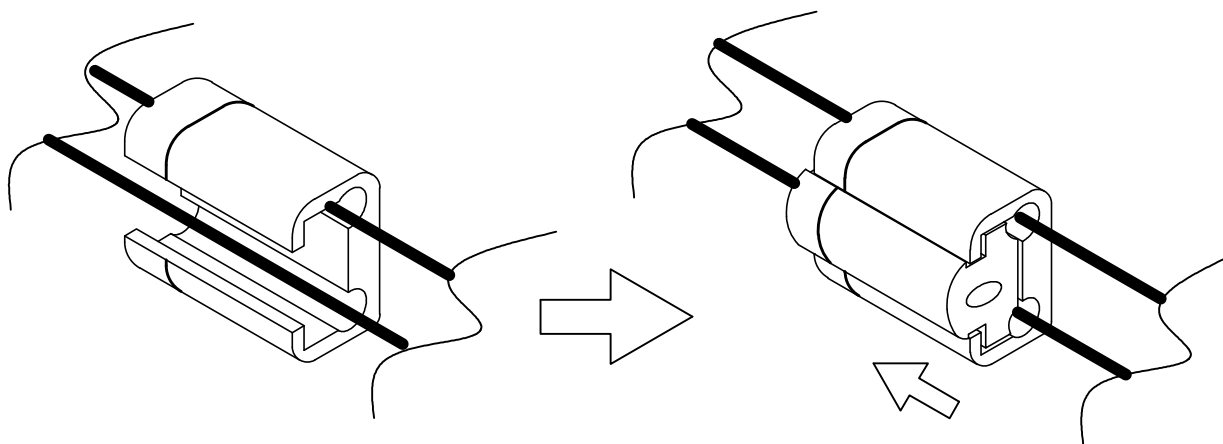


You can pull the buckle out by following the direction indicated by the arrow



This is the only direction that can be locked.

STEP 2

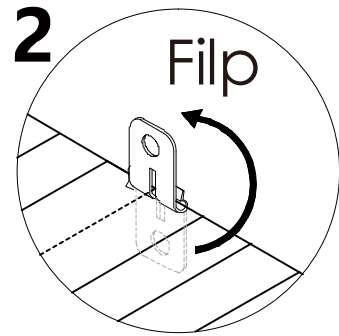
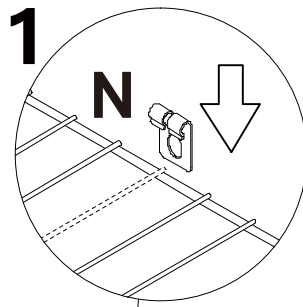
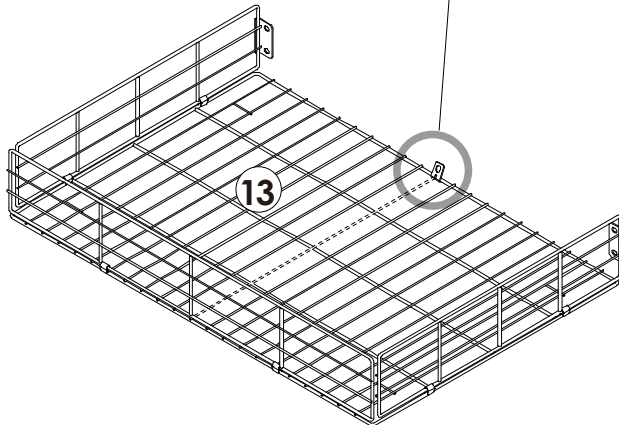


Place the round iron tubes as shown for better assembly of the drawers.

Assembly Instruction of (Drawer)

STEP 3

Assemble
drawer hook



1: Count from the side to the wire in the middle of the drawer.

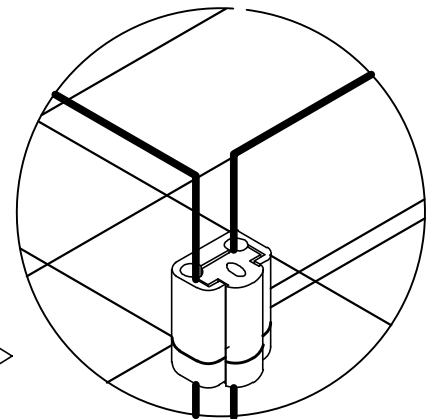
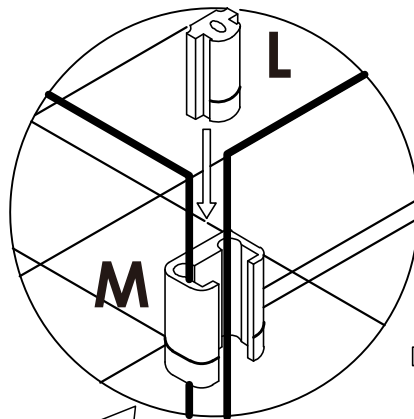
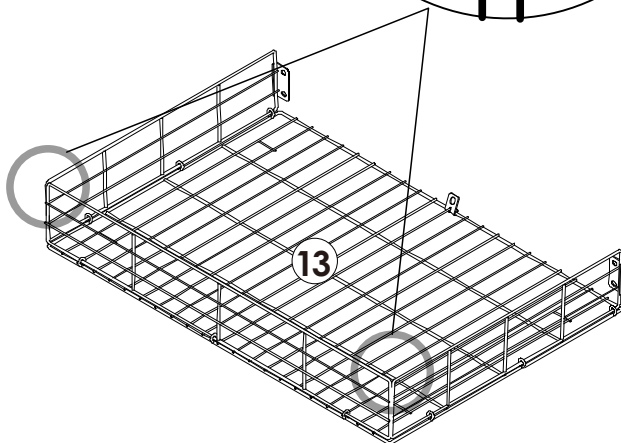
2: Buckle it and turn it over

x4



N x 4PCS

STEP 4



Pull up the side and rear wall of the drawer and lock it with plastic buckle

x4



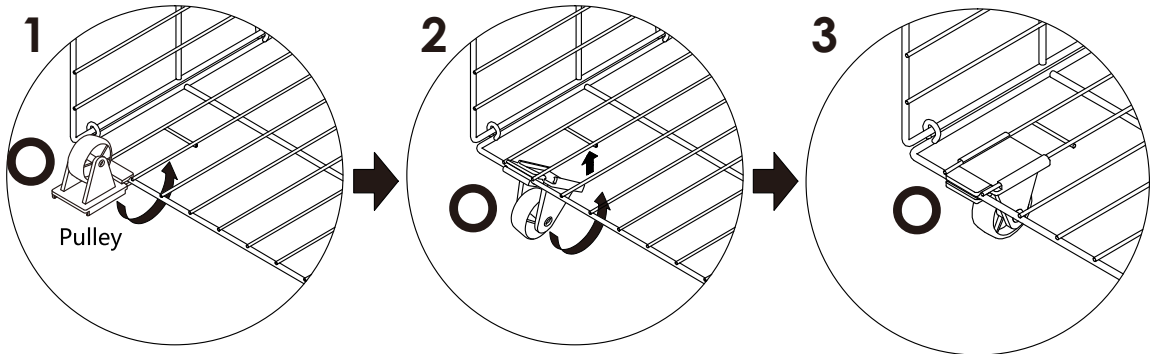
L x 8PCS



M x 8PCS

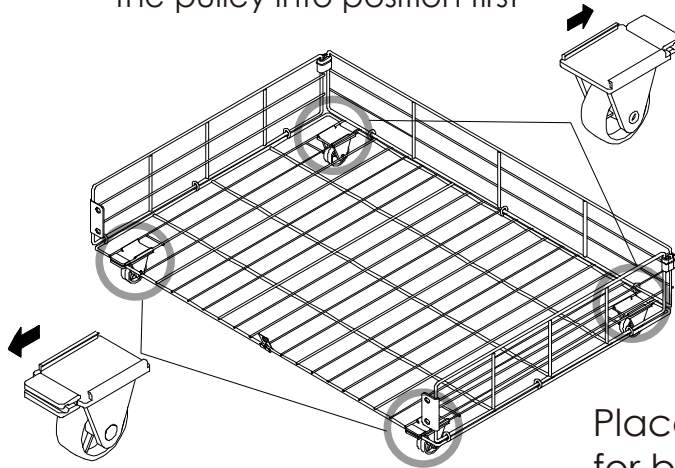
Assembly Instruction of (Drawer)

STEP 5



1. As shown in the figure Clip the pulley into position first

2. Then push the pulley to the side, clamp the iron wire at the edge.



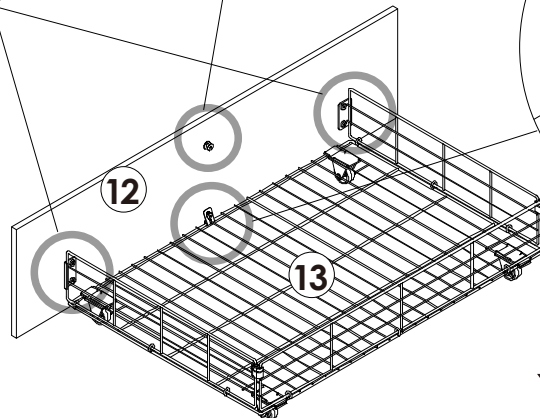
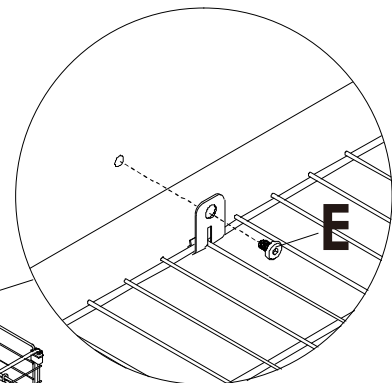
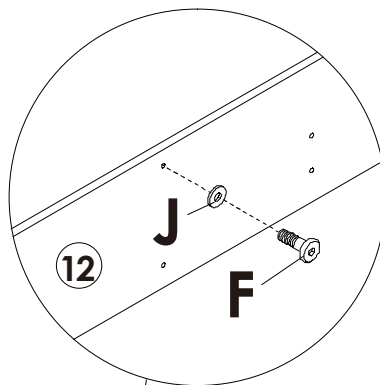
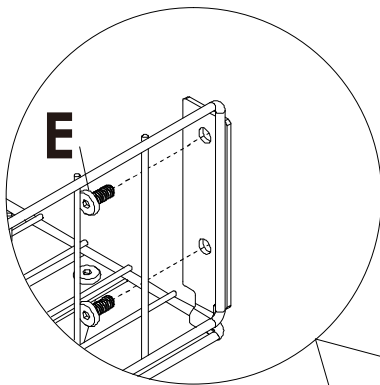
x4

Place the round iron tubes as shown for better assembly of the drawers.


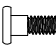




○ x 16PCS

STEP 6

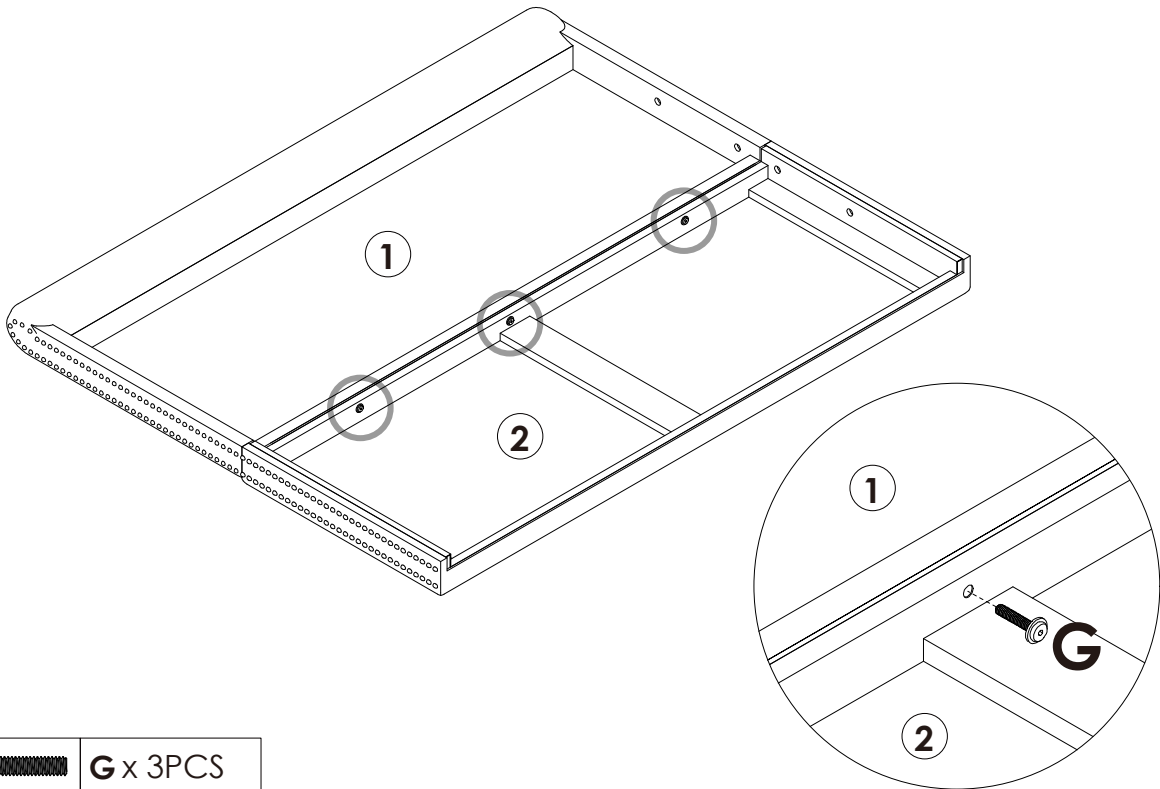




x4

	E x 20PCS
	F x 4PCS
	J x 4PCS
	H x 1PC

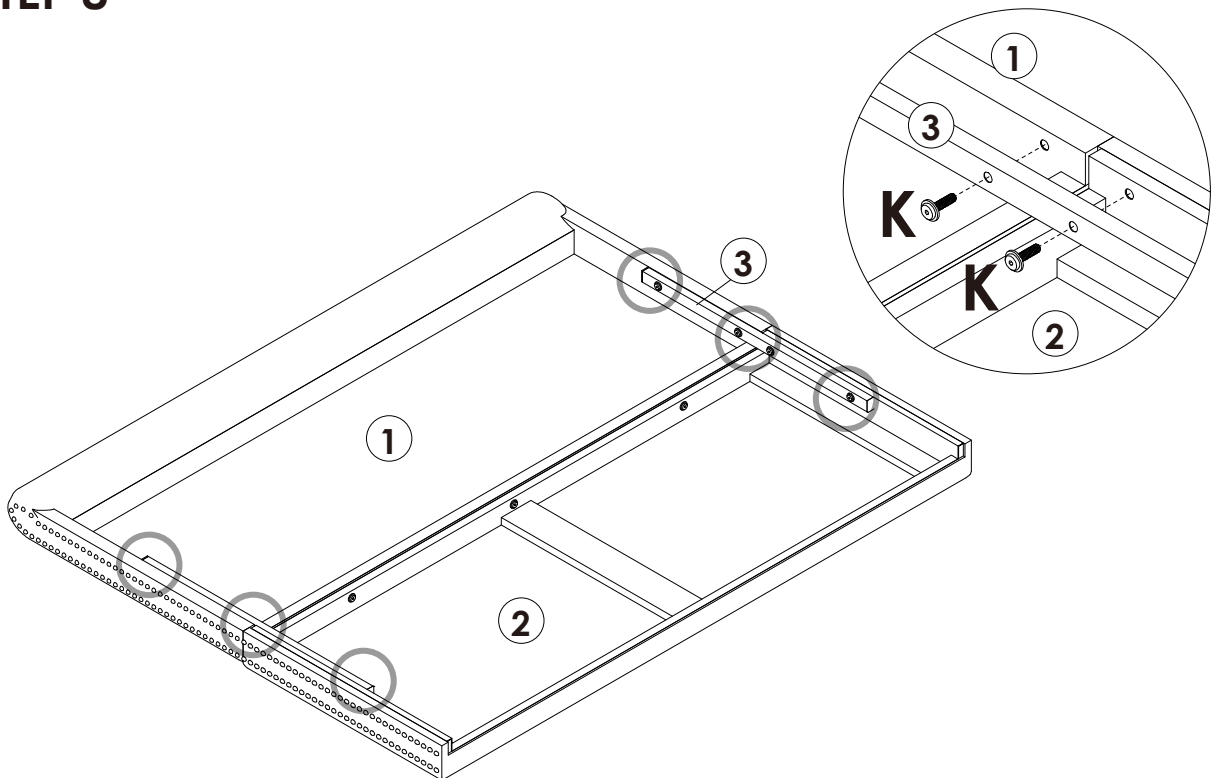
Assembly Instruction of (Drawer)


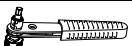
STEP 7



	G x 3PCS
	H x 1PC

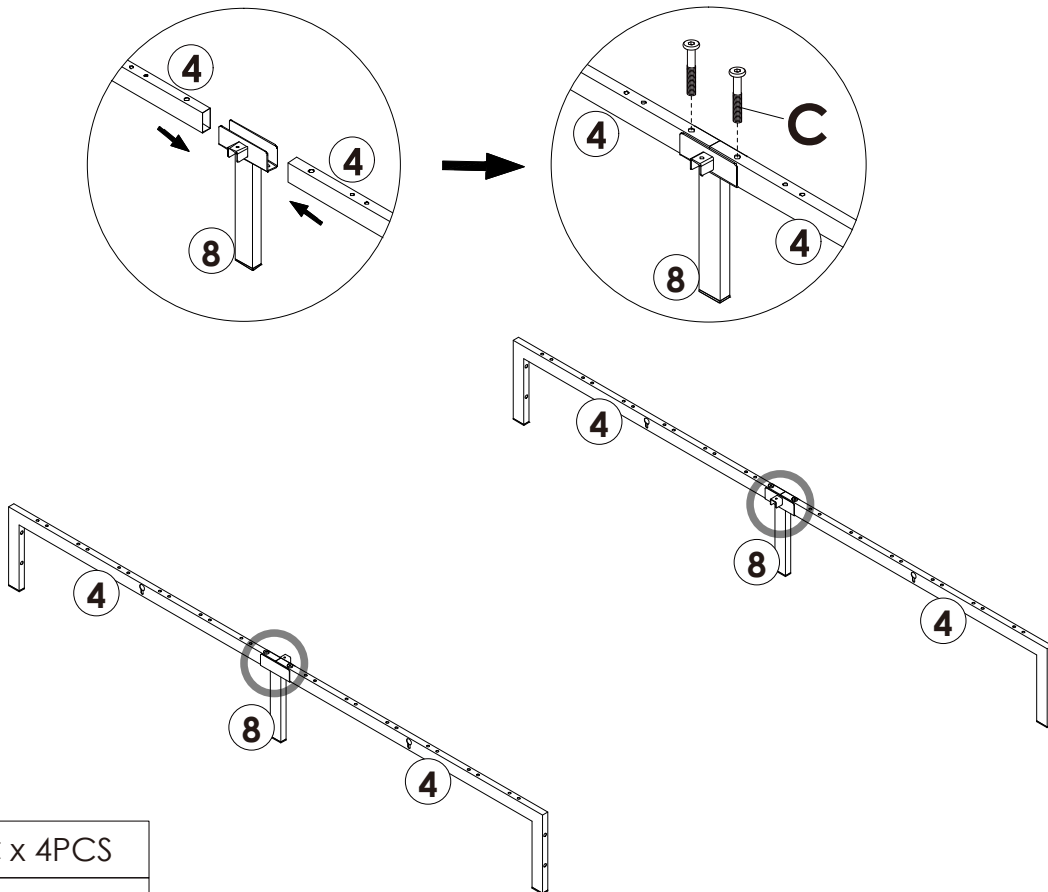
STEP 8





	K x 8PCS
	H x 1PC

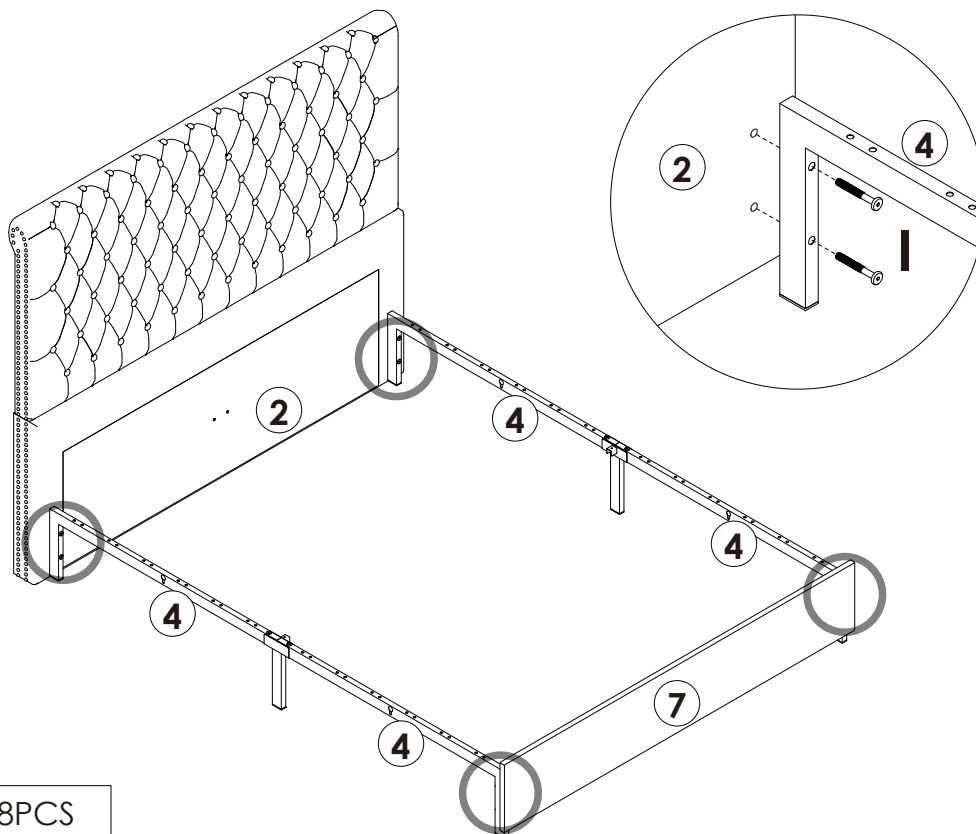
Assembly Instruction of (Drawer)



STEP 9



	C x 4PCS
	H x 1PC

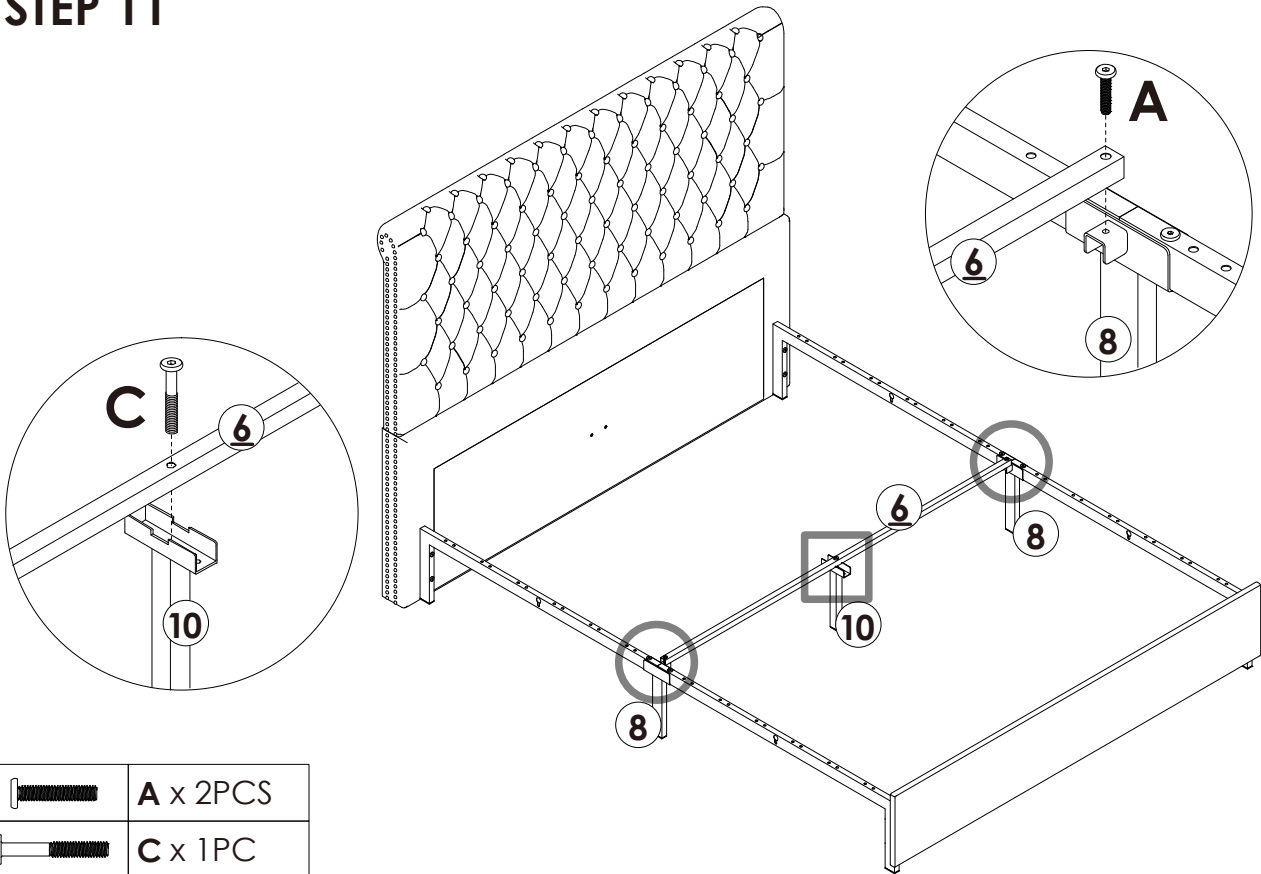
STEP 10






	I x 8PCS
	H x 1PC

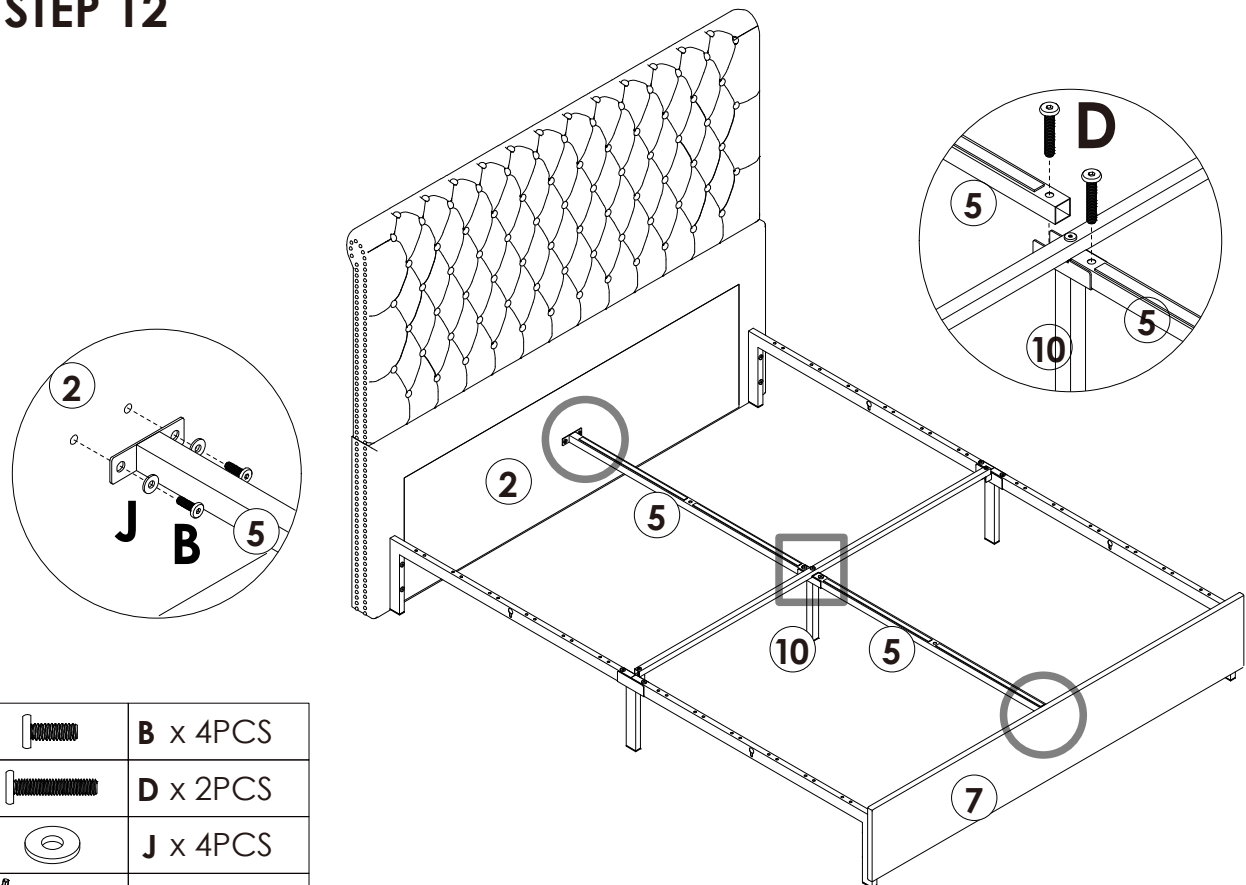
Assembly Instruction of (Drawer)





STEP 11



	A x 2PCS
	C x 1PC
	H x 1PC

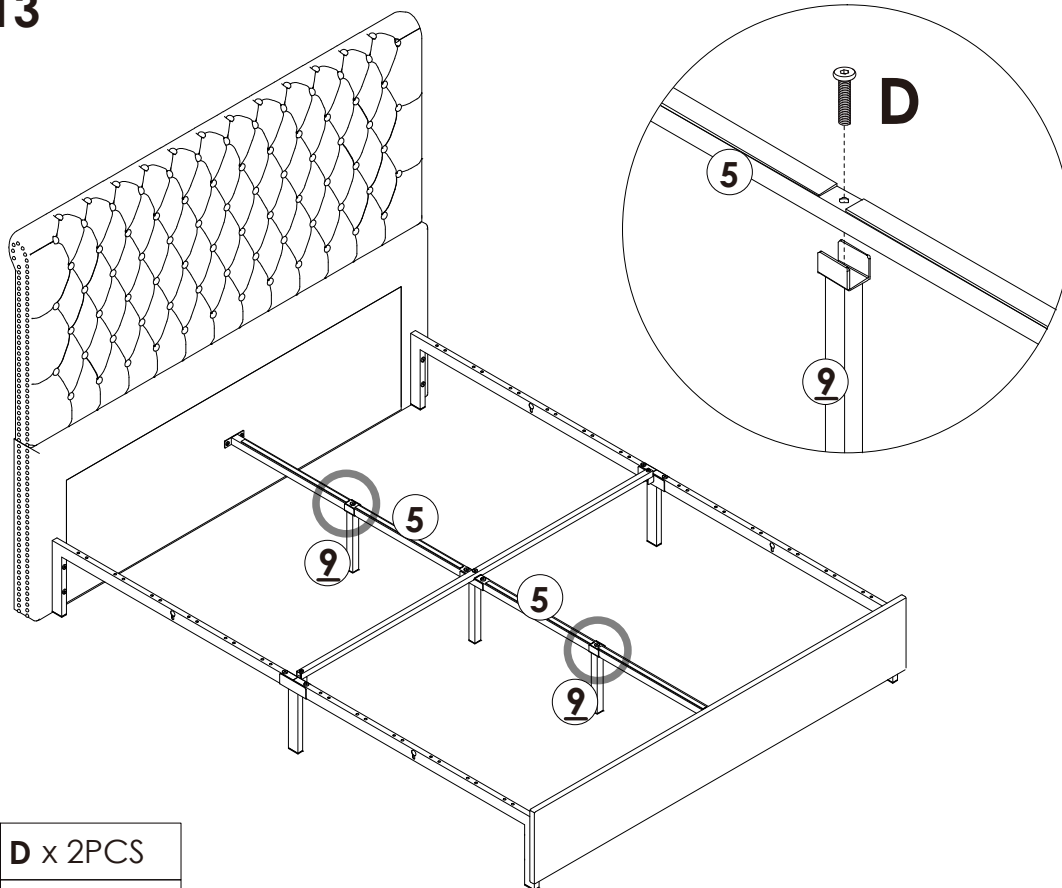
STEP 12


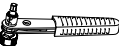


	B x 4PCS
	D x 2PCS
	J x 4PCS
	H x 1PC

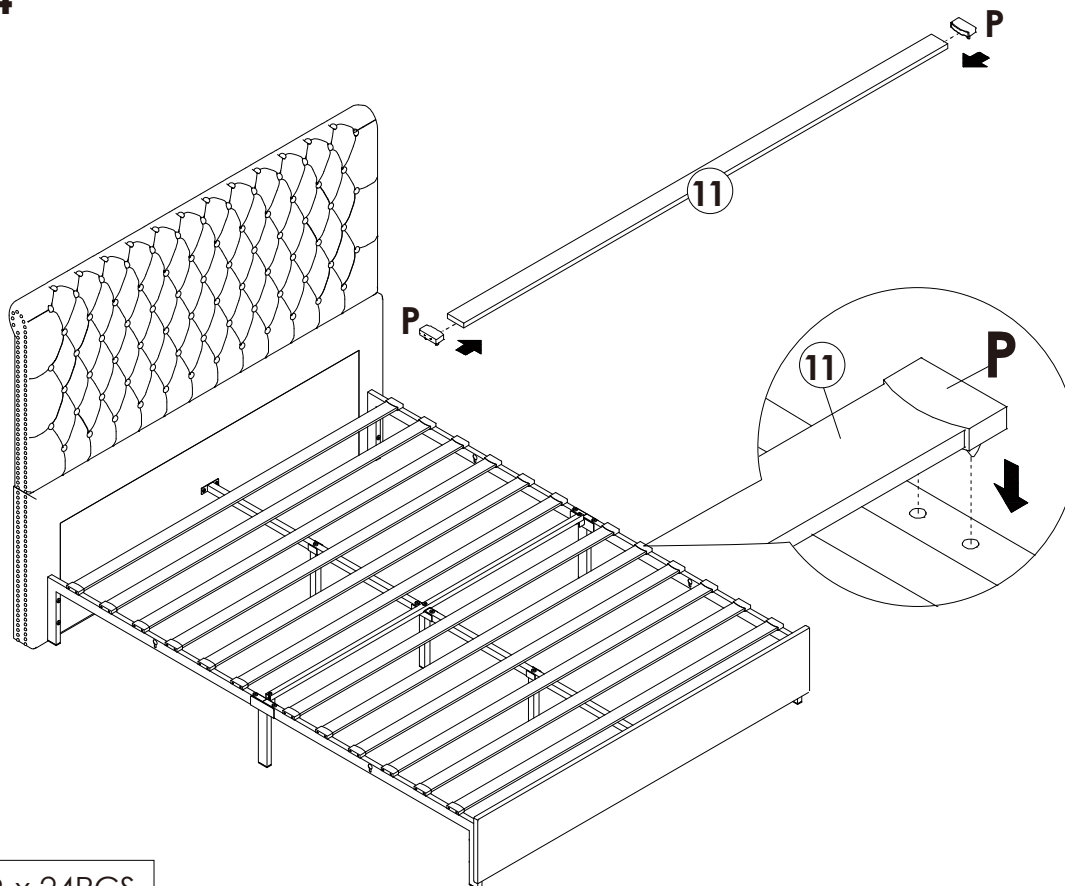
Assembly Instruction of (Drawer)

STEP 13



	D x 2PCS
	H x 1PC

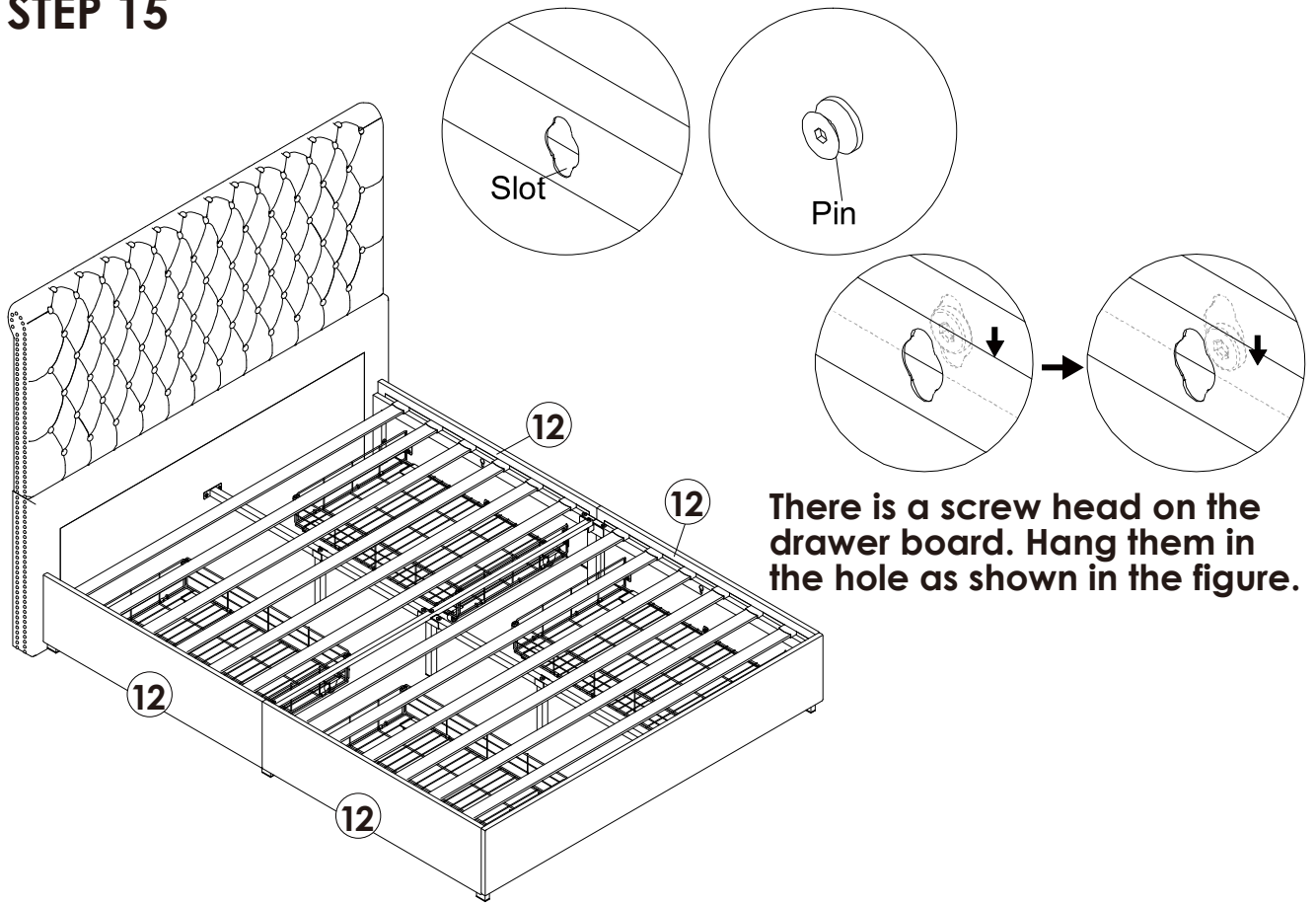
STEP 14



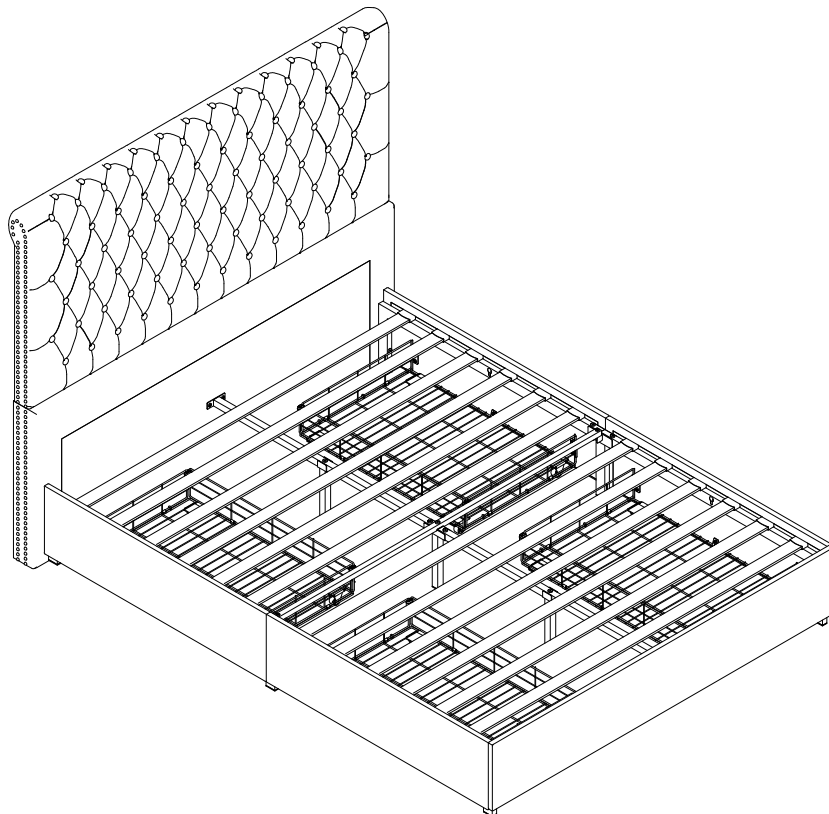
	P x 24PCS
---	-----------

Assembly Instruction of (Drawer)

STEP 15



STEP 16



Thanks Gracias!