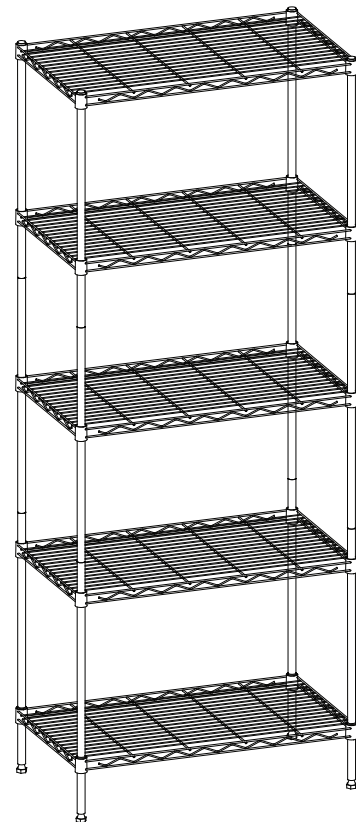


5-Tier Wire Shelving Rack



XF-MN5

Warning:

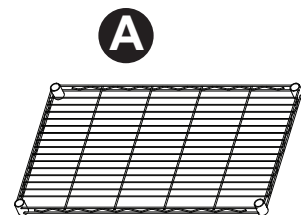
Maximum weight capacity per shelf is 150lbs when weight is equally distributed. Maximum entire unit weight capacity is 750lbs when equally distributed on feet levelers.

Failure to follow these instructions may result in serious injury or death of yourself and people around you. Some of the part are heavy and/or has shape edge, please install it carefully to avoid hurt you and people around you.

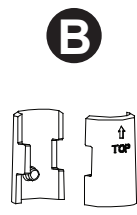
Caution:

Do not stand on or climb on the shelving unit. Place heavier items on lower shelves and lighter ones on top shelves.

PACKAGE CONTENTS



x 5 Shelf



x 40 +2 extra Tapered Lock



x 4 Top Pole (with pole cap preassembled)



x 4 Middle Pole



x 4 Bottom Pole (with feet leveler preassembled)



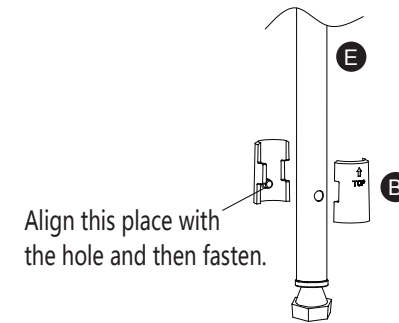
x 16

Black plastic spacer

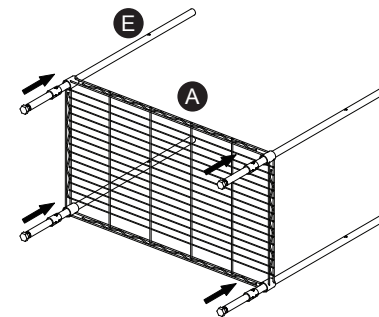
(NOTE: Discard the black plastic spacers G. These between each shelf are only for packing purpose , not for assembling.)

ASSEMBLY INSTRUCTIONS

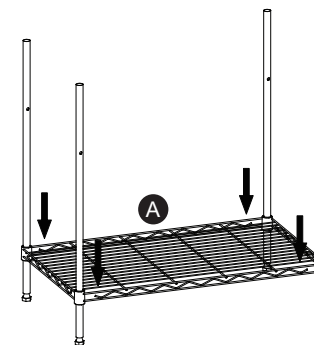
1. With the tapered end facing up, put the two halves of a tapered lock (B) into the preset hole location on bottom pole (E). Repeat for the remaining bottom poles (E).



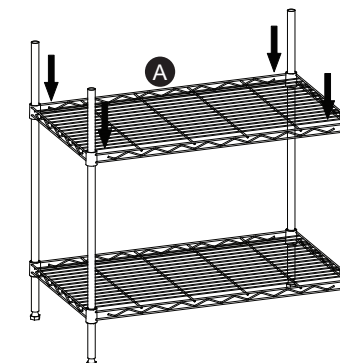
2. Rest shelf (A) on its side, then insert the bottom poles (E) through the corner holes of the shelf (A).



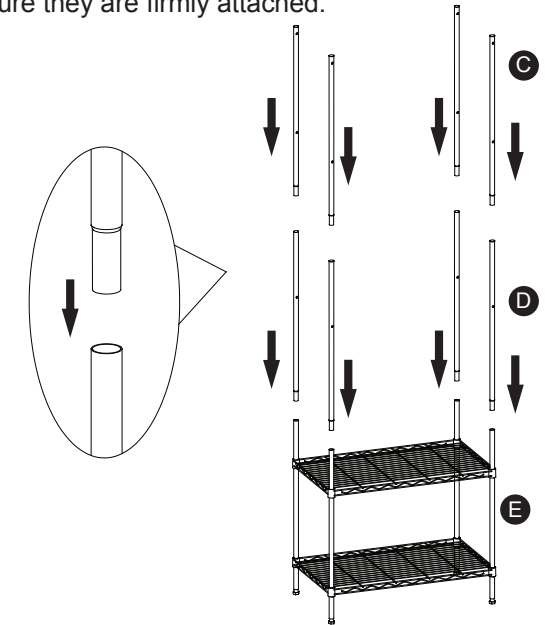
3. Turn assembly upright and push the shelf (A) firmly onto the tapered locks (B). Note: Make sure the lip of shelf (A) is facing down and the bottom poles (E) are on the floor.



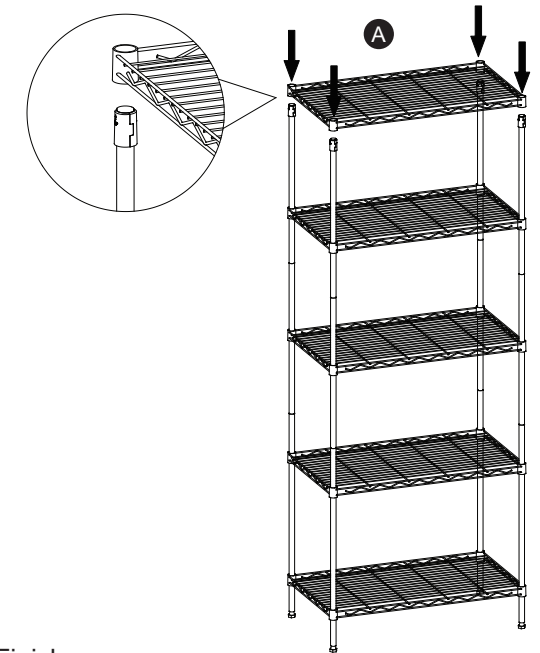
4. Repeat steps 1-3 for the second shelf (A).



5. Middle pole (D) onto bottom pole(E), top pole (C) onto middle pole(D). Note: no need any connector parts, make sure they are firmly attached.



6. Repeat steps 1-3 for the remaining shelves.



7. Finish.

