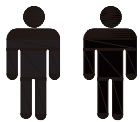
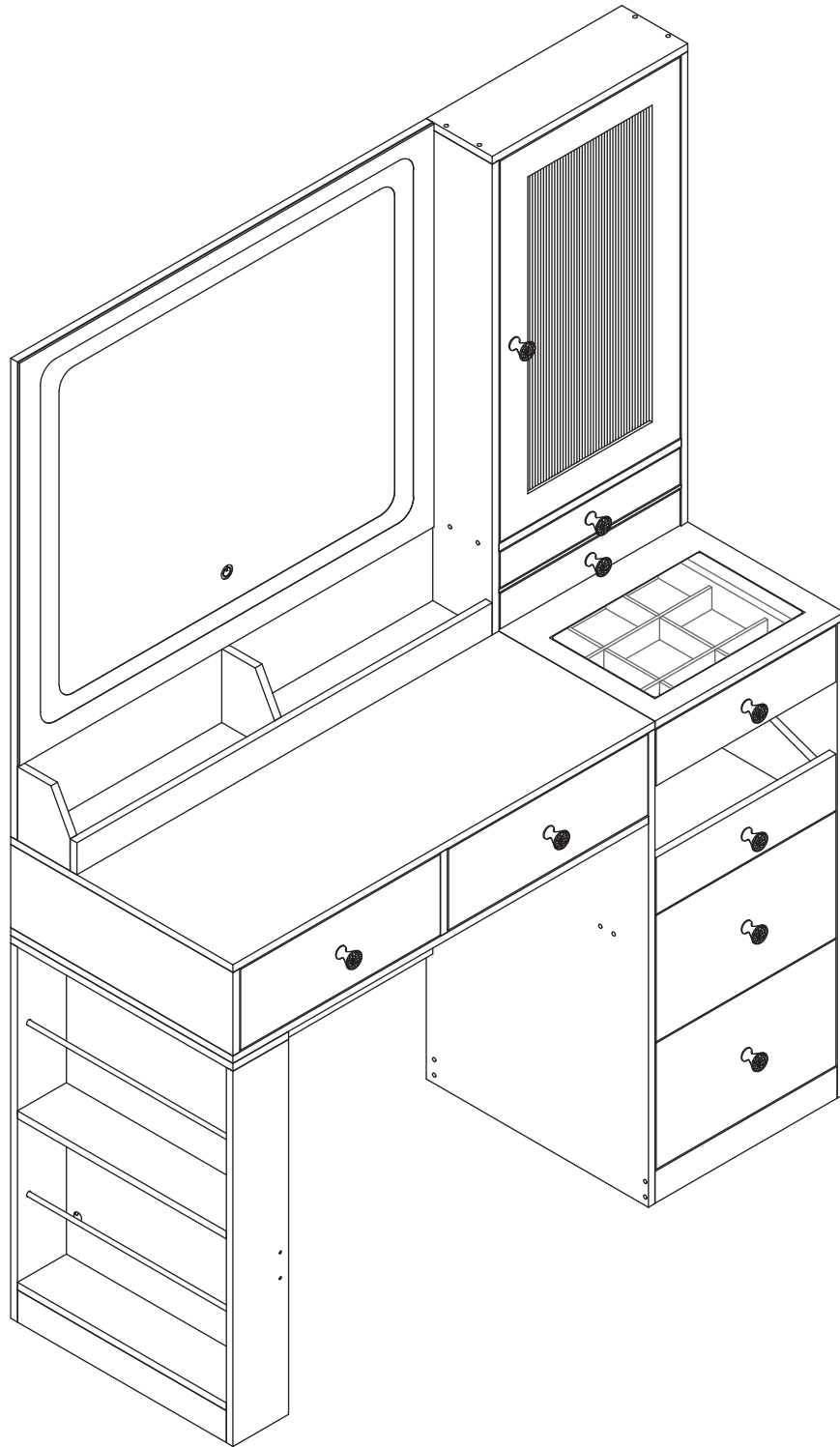


Installation & Assembly



2 PERS.

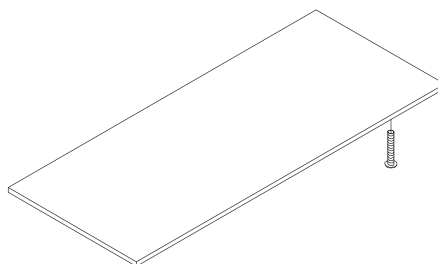


Tools required
(not included)

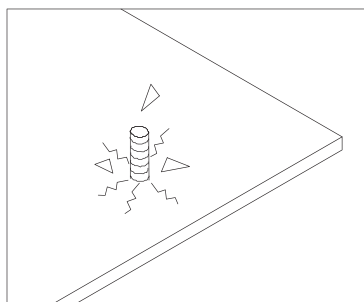
1. Matters needing attention

! WARNING	
	<p>Children have died from furniture tipover. To reduce the risk of furniture tipover:</p> <ul style="list-style-type: none">-ALWAYS install Anti-tip device provided.-NEVER put a TV on this product.-NEVER allow children to stand, climb or hang on drawers, doors, or shelves.-NEVER open more than one drawer at a time.-Place heaviest items in the lowest drawers. <p><i>This is a permanent label. Do not remove!</i></p>
	

2. Matters needing attention

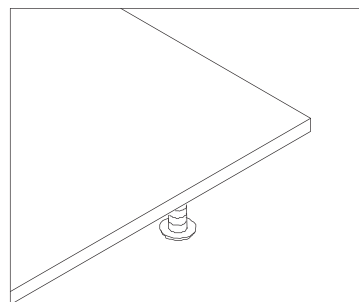


Be sure to use the proper screws to avoid damaging the parts



X

Wrong screws can cause the plank to crack

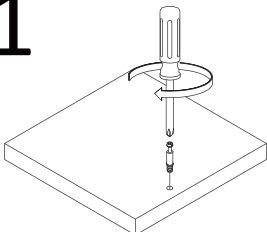
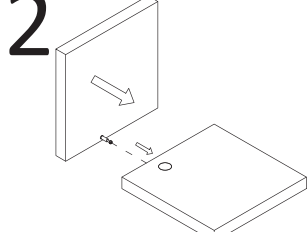
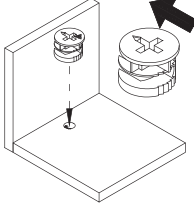
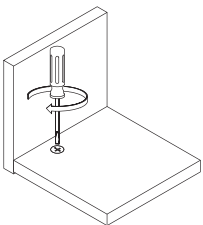


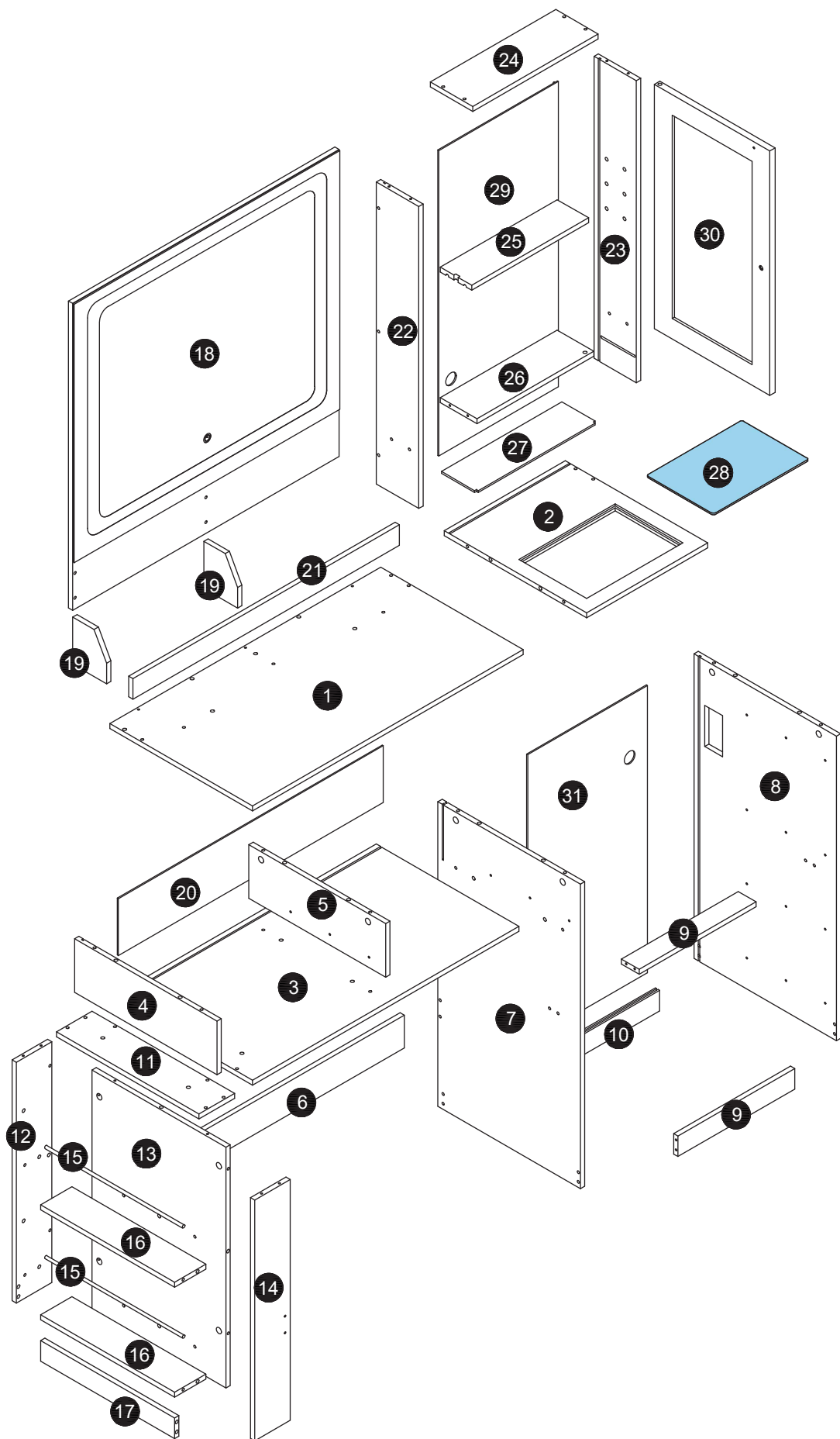
✓

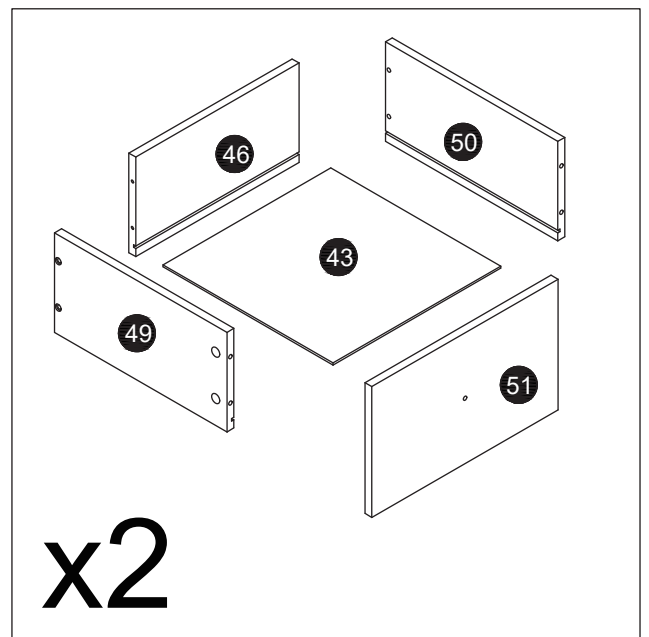
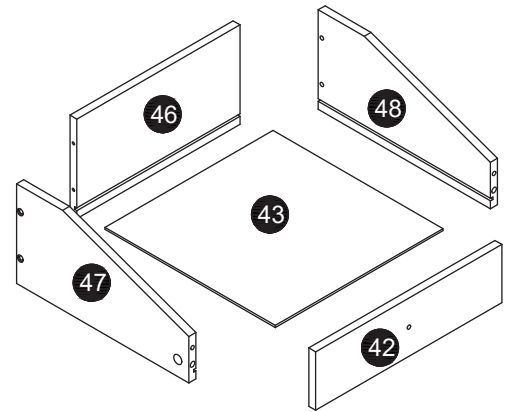
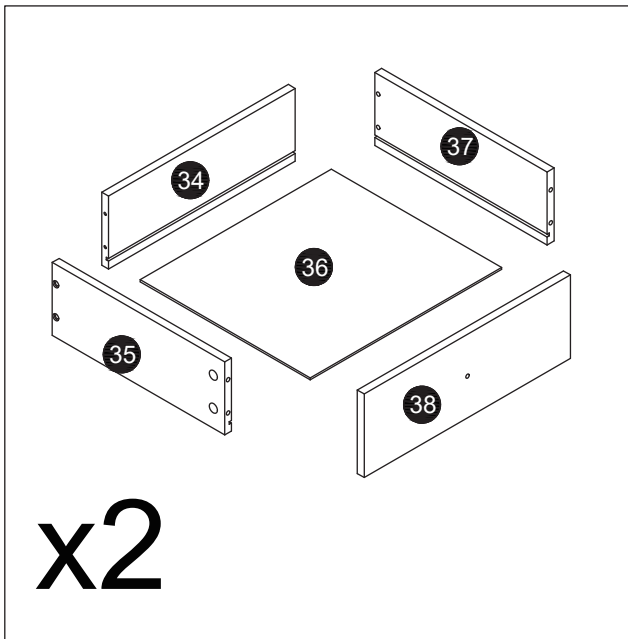
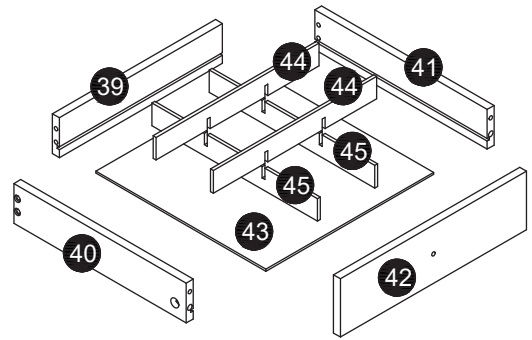
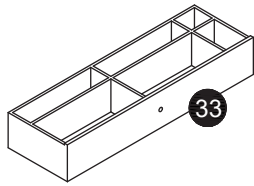
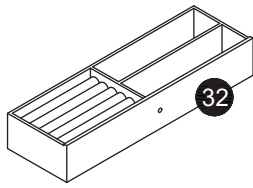
The right screw is the right size

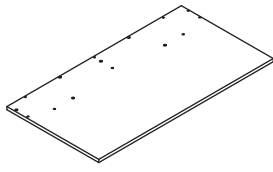
Cam Lock Fastening System

Insert the cam bolt into the hole first, then insert the cam lock and lock it.

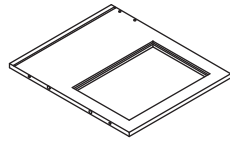
1 	2 	3  <p>The opening must point toward the edge of the board</p>	4 
---	---	---	---



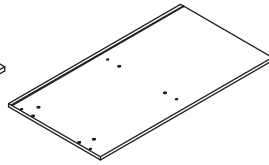




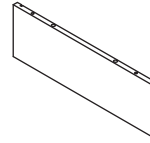
1
x1



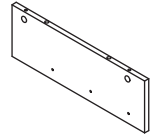
2
x1



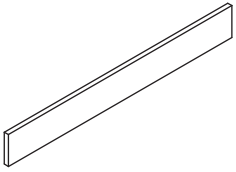
3
x1



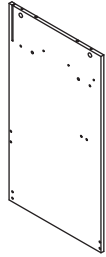
4
x1



5
x1



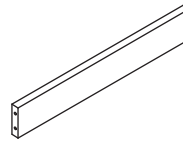
6
x1



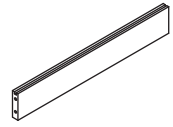
7
x1



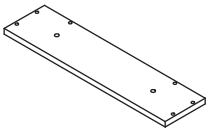
8
x1



9
x2



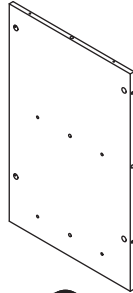
10
x1



11
x1



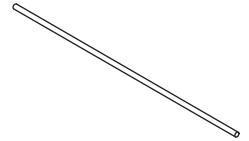
12
x1



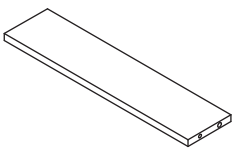
13
x1



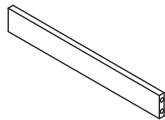
14
x1



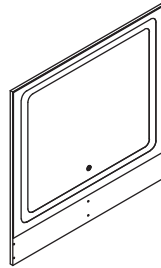
15
x2



16
x2



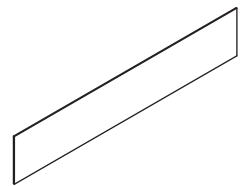
17
x1



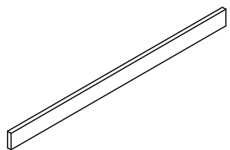
18
x1



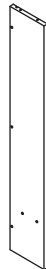
19
x2



20
x1



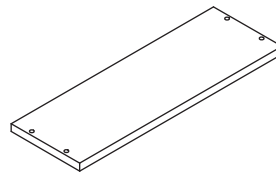
21
x1



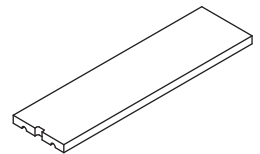
22
x1



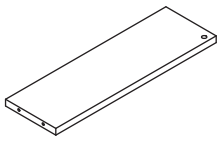
23
x1



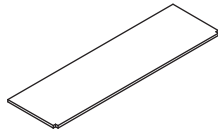
24
x1



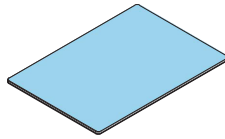
25
x1



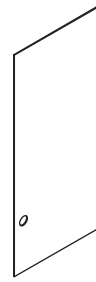
26
x1



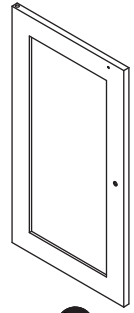
27
x1



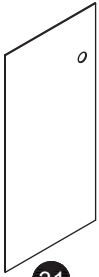
28
x1



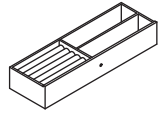
29
x1



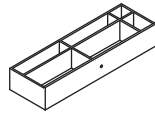
30
x1



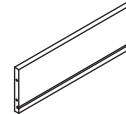
31
x1



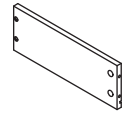
32
x1



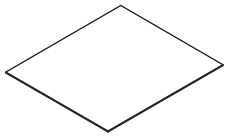
33
x1



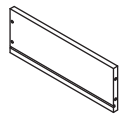
34
x2



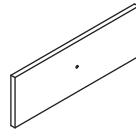
35
x2



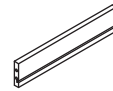
36
x2



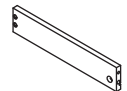
37
x2



38
x2



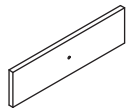
39
x1



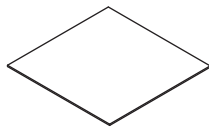
40
x1



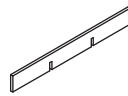
41
x1



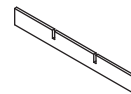
42
x2



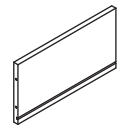
43
x4



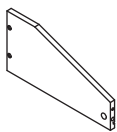
44
x2



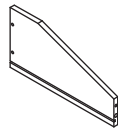
45
x2



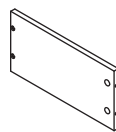
46
x3



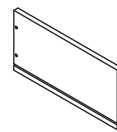
47
x1



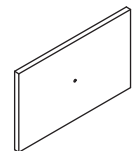
48
x1



49
x2



50
x2



51
x2



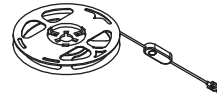
A
x40(+2)
Ø6x35mm



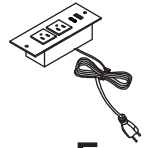
B
x42(+3)
Ø15x9.5mm



C
x39(+3)
Ø6x30mm



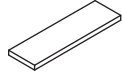
D
x1



E
x1



F
x66(+6)
Ø3.5x12mm



G
x8
Ø30x10mm



H
x2



I
x33(+2)
Ø4x35mm



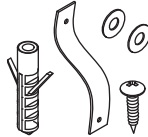
J
x4



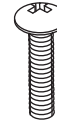
K
x16(+1)



L
x18(+1)
Ø3x14mm



M
x2



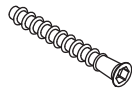
N
x7
Ø4x22mm



O
x2
Ø4x15mm



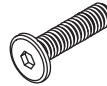
P
x9



Q
x45(+2)
Ø5x40mm



R
x1
Ø3mm



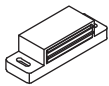
S
x2
Ø6x20mm



T
x1
Ø4mm



U
x2



V
x1



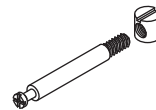
W
x2



X
x1



Y
x5
Ø3x12mm



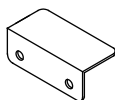
Z
x2



a
x1



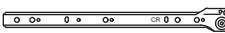
b
x26(+2)
Ø20mm



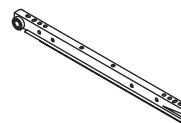
c
x1



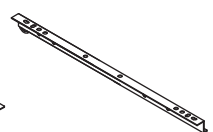
CL
x6
L300mm



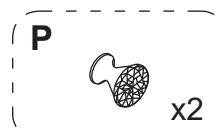
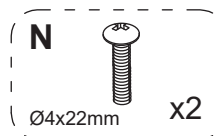
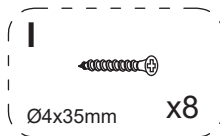
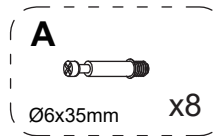
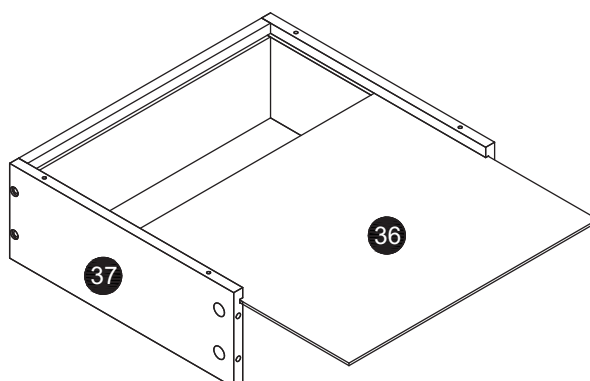
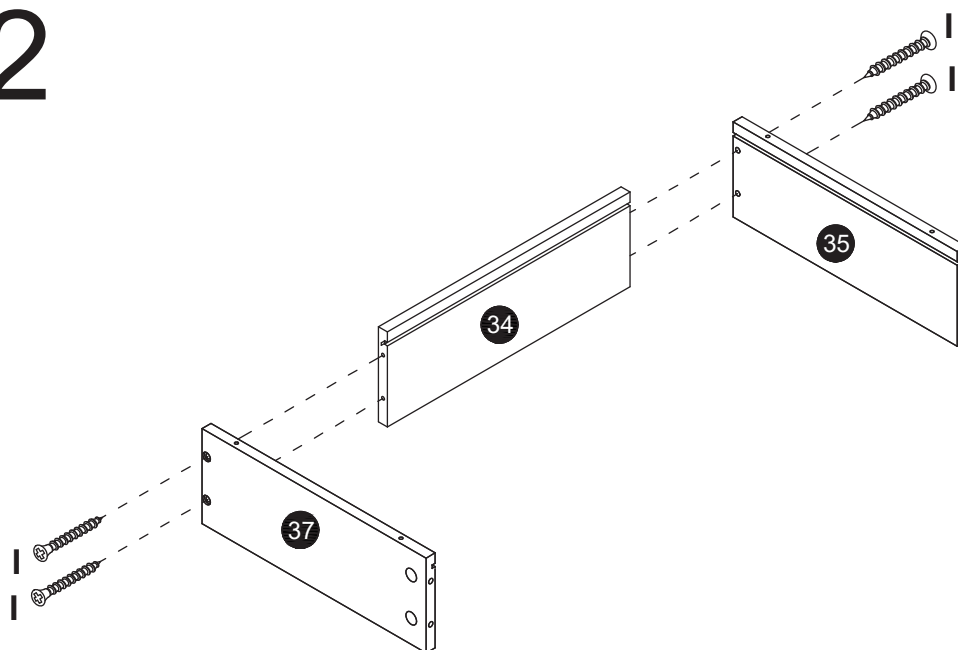
CR
x6
L300mm



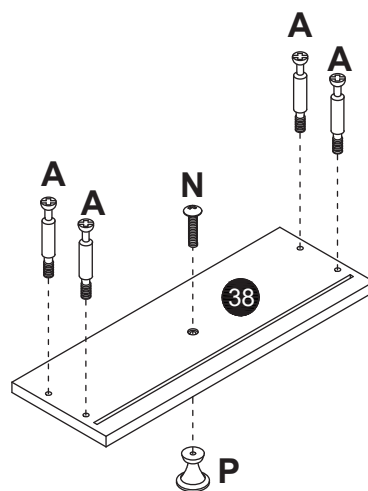
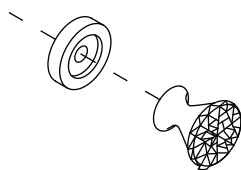
DR
x6
L300mm



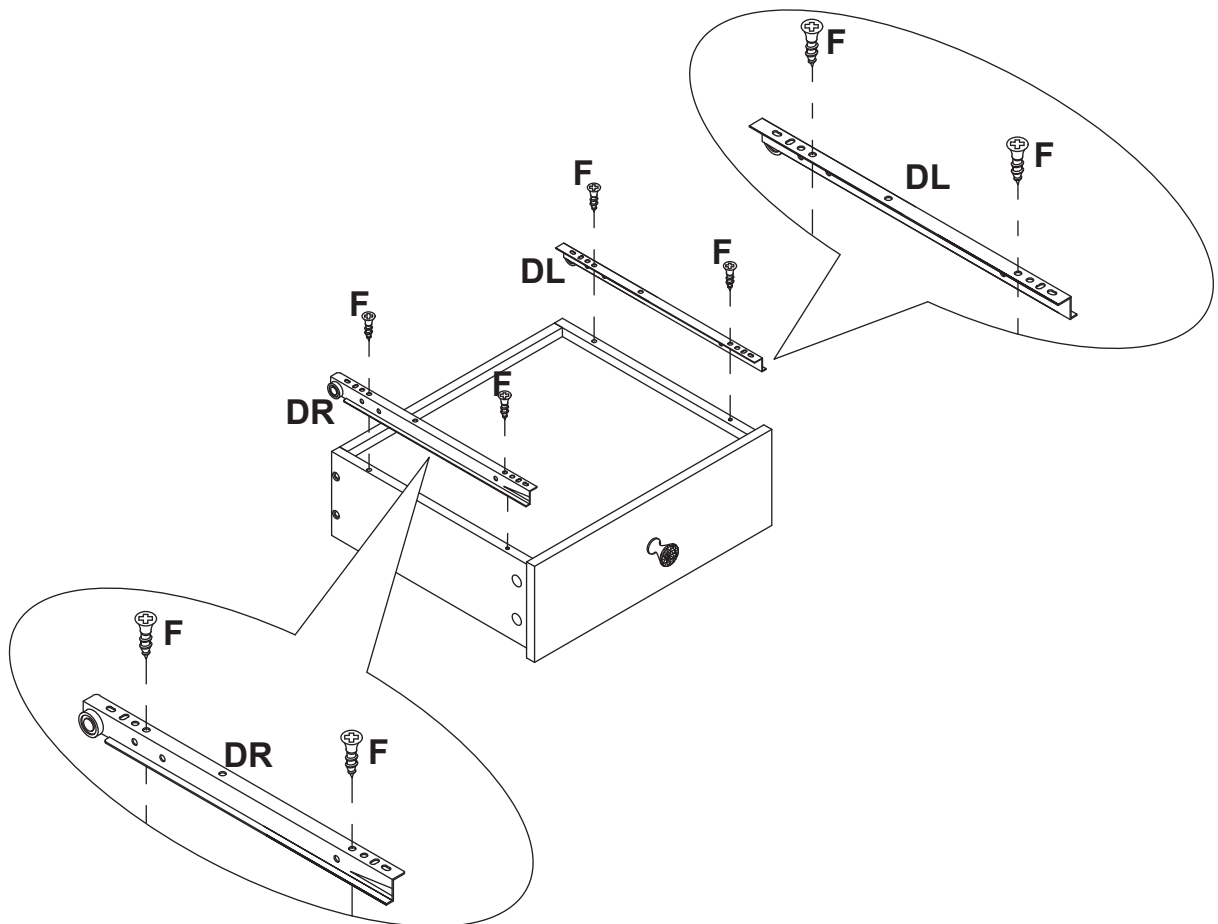
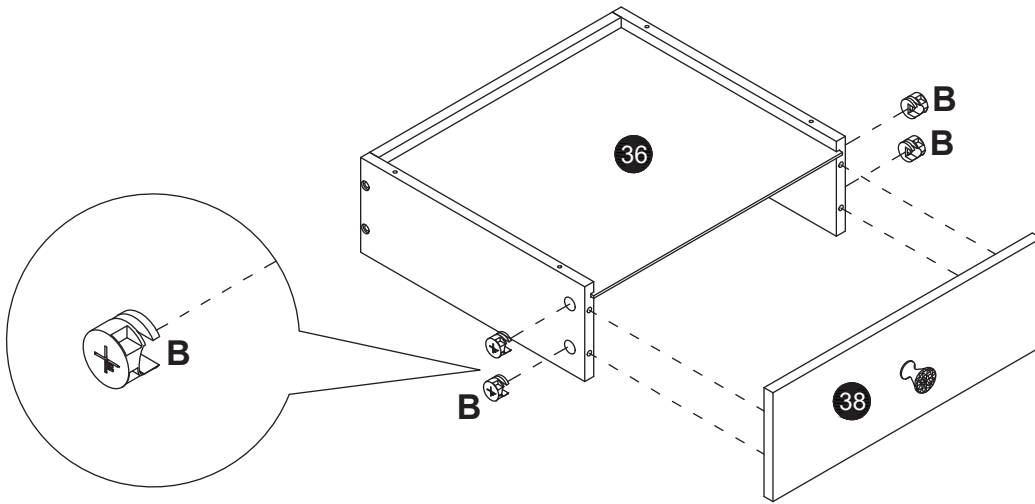
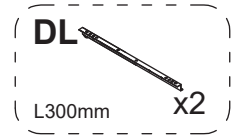
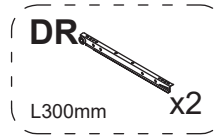
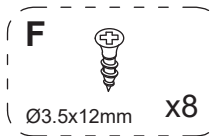
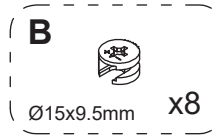
DL
x6
L300mm

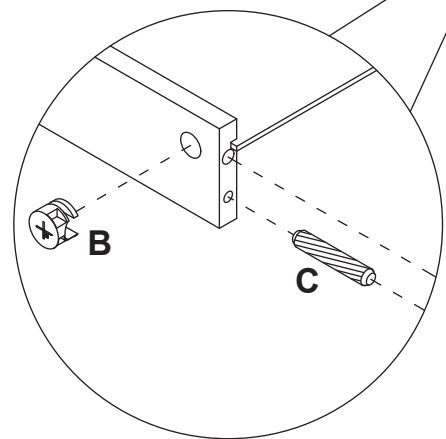
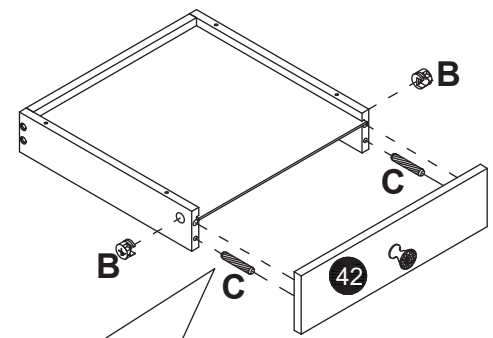
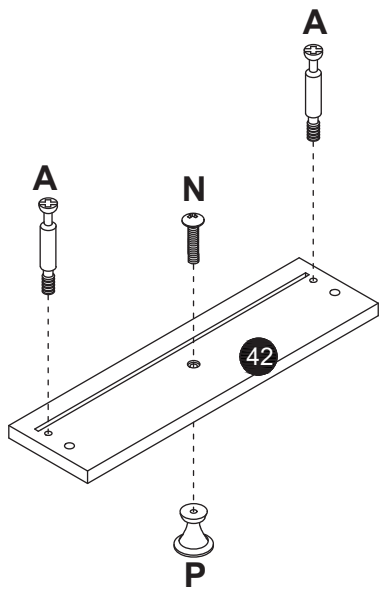
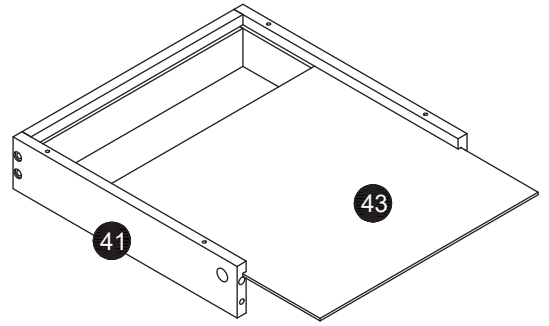
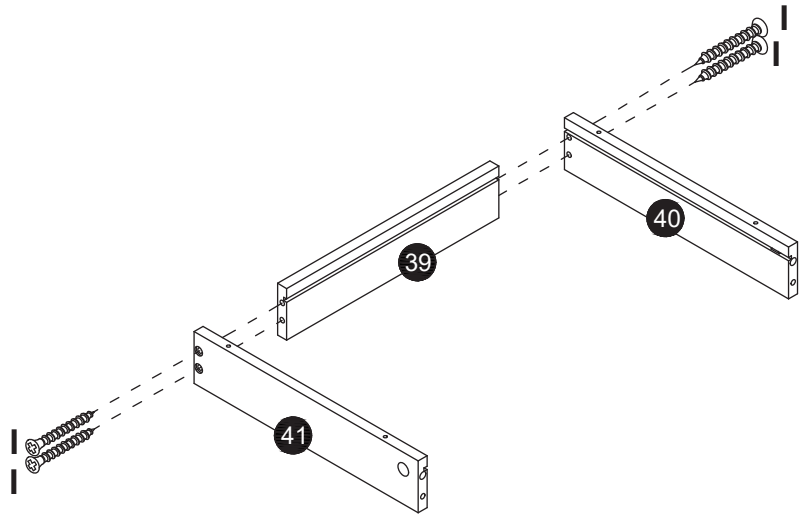
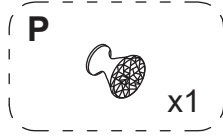
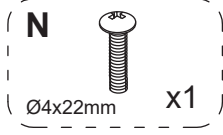
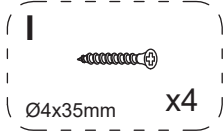
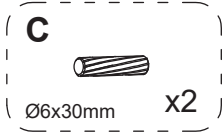
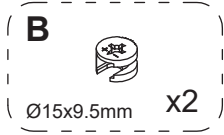
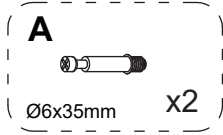
1**x2**

If the handle base falls off,
please install it as follows.
It will not affect the use.

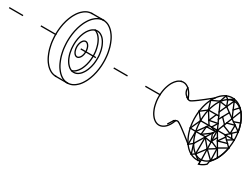


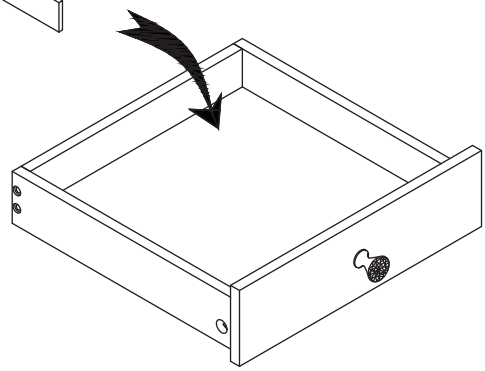
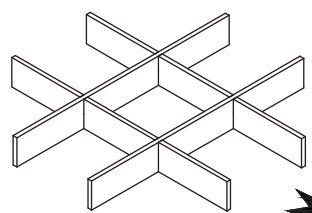
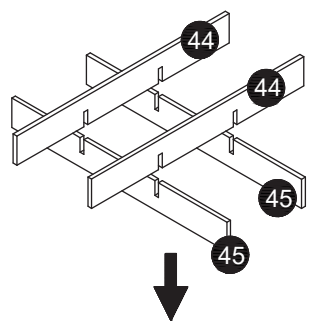
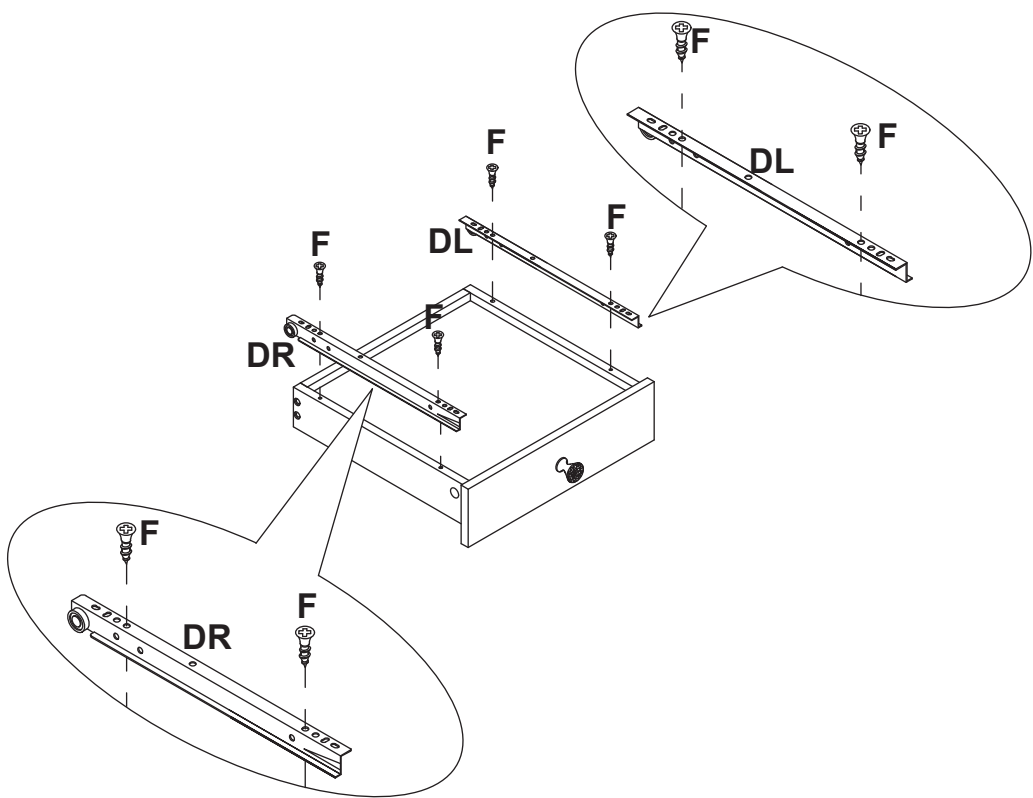
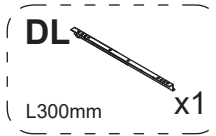
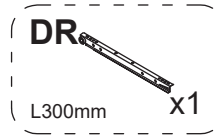
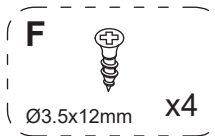
x2

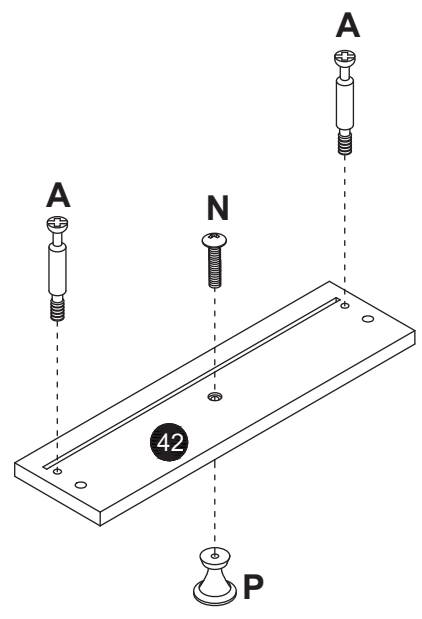
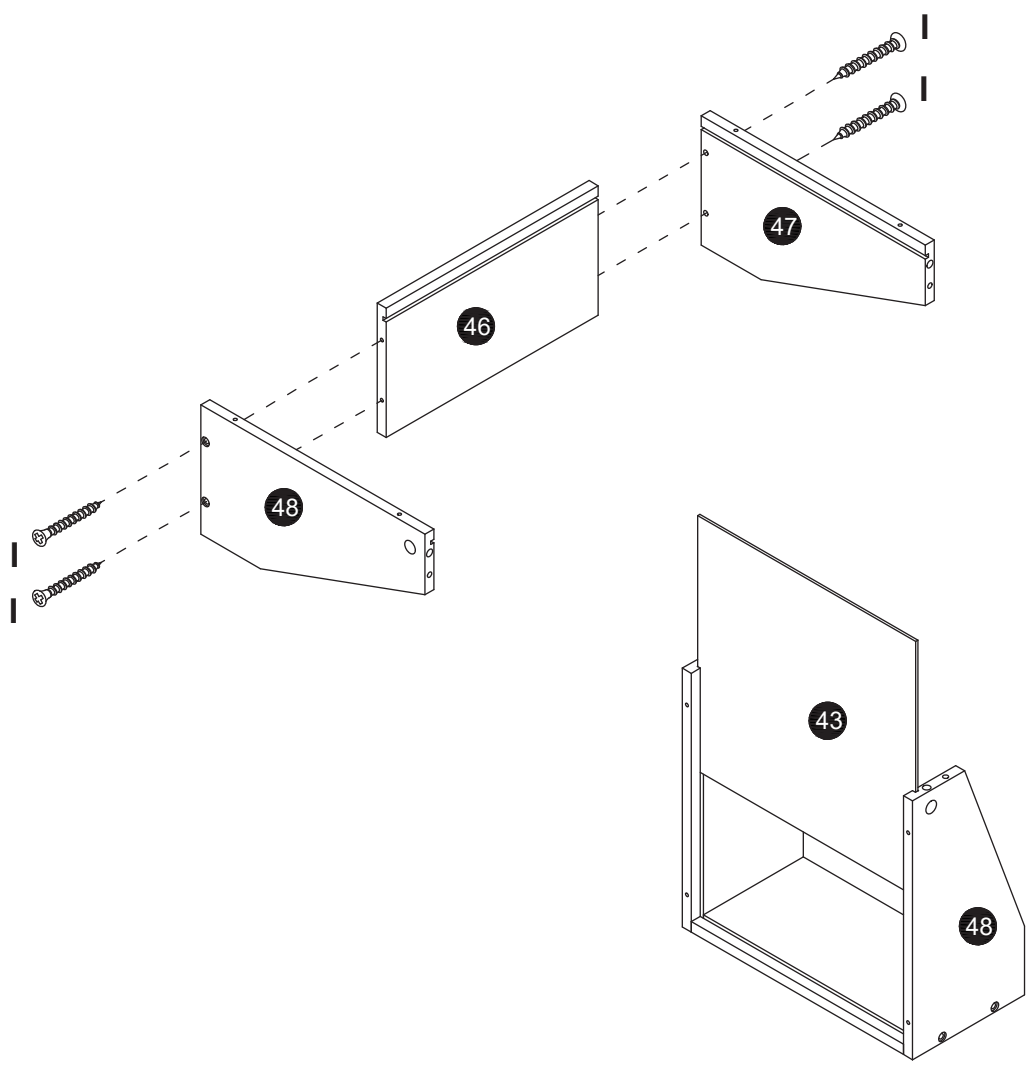
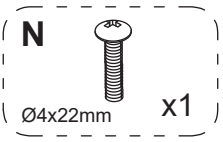
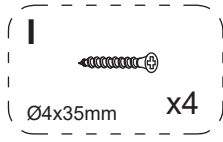
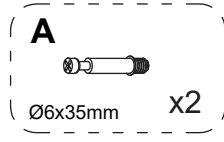




If the handle base falls off, please install it as follows. It will not affect the use.

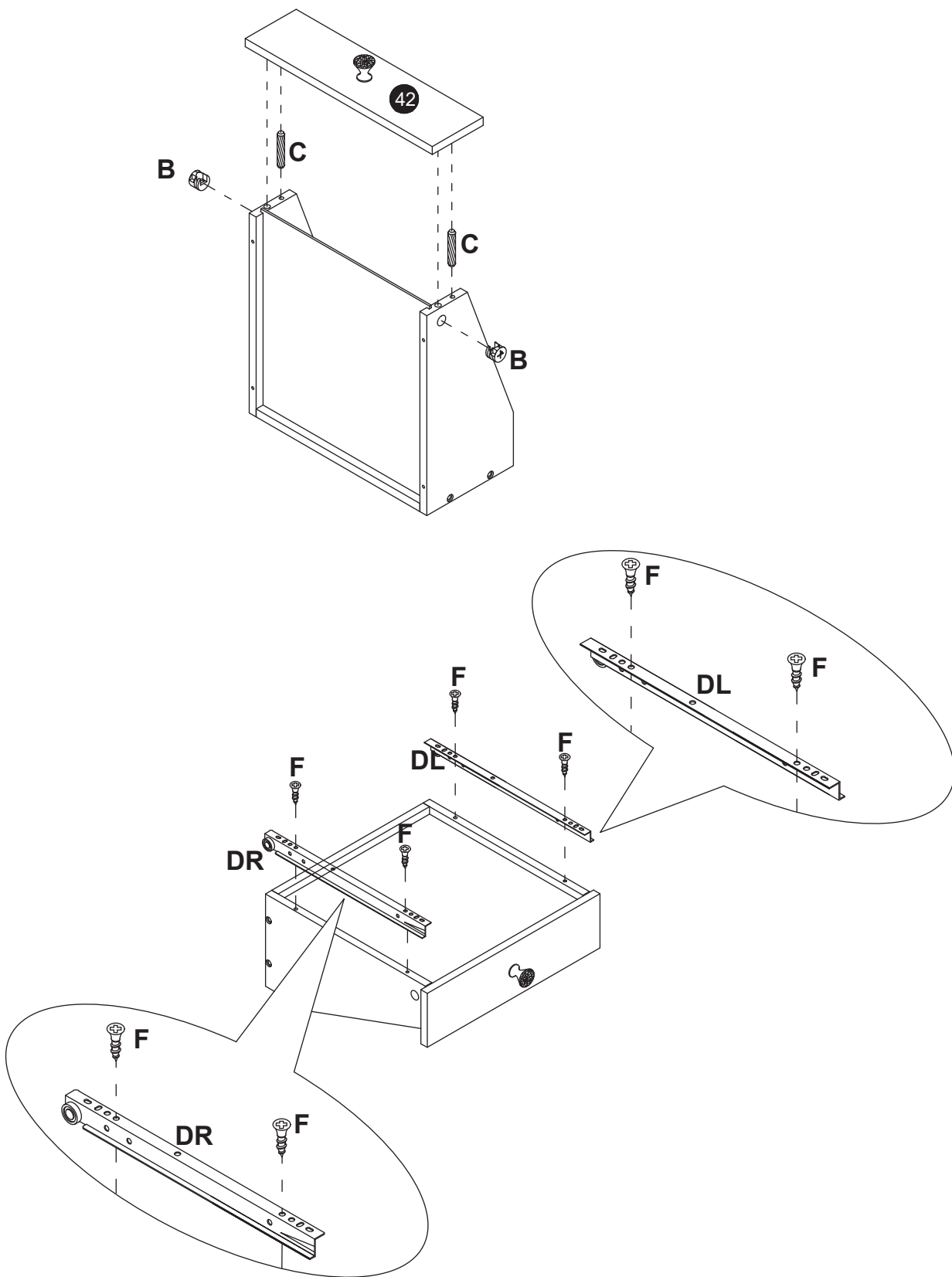
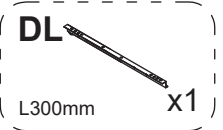
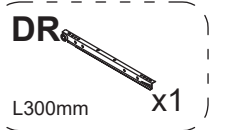
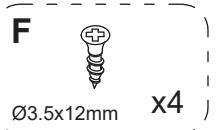
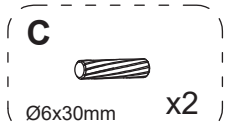


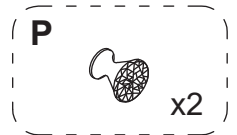
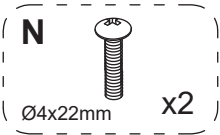
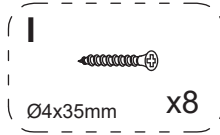
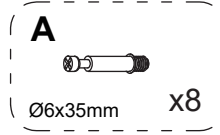




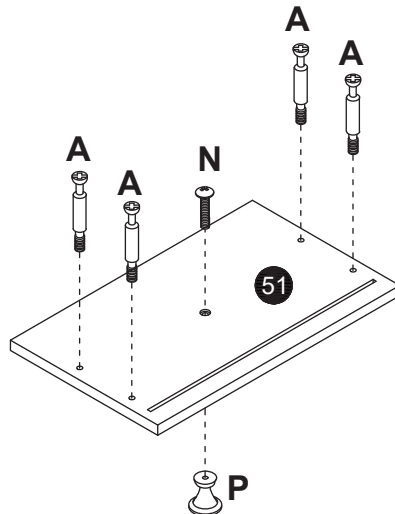
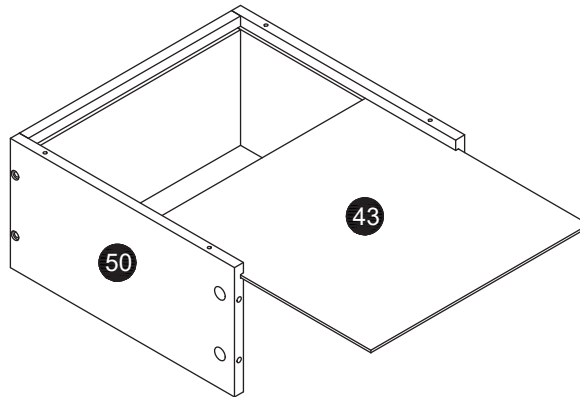
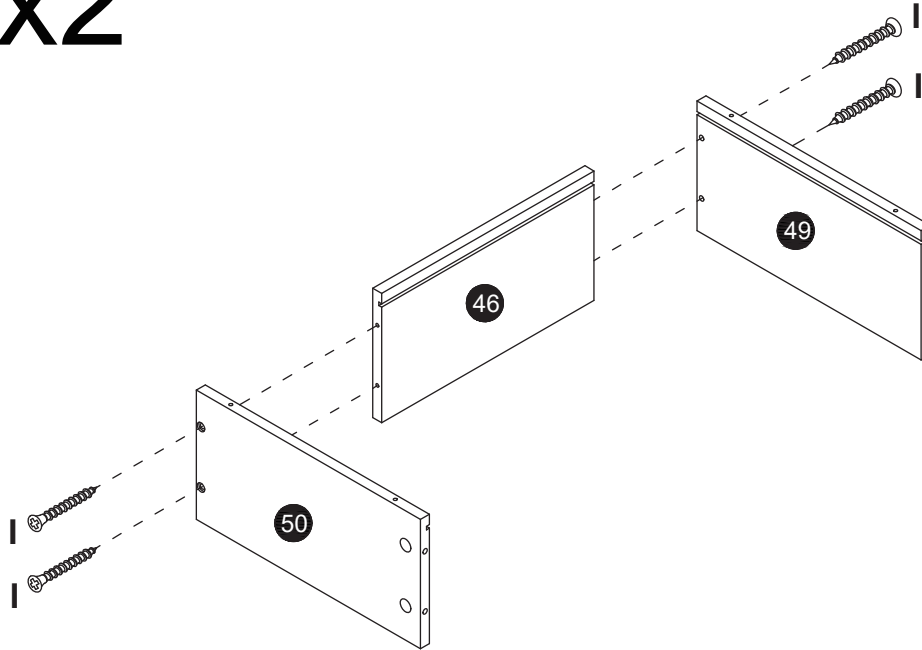
If the handle base falls off, please install it as follows. It will not affect the use.

The diagram shows a circular handle base being pushed onto a textured knob, demonstrating the correct installation method for a loose handle base.

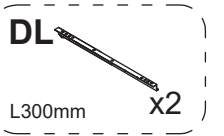
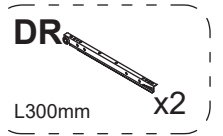
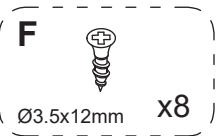




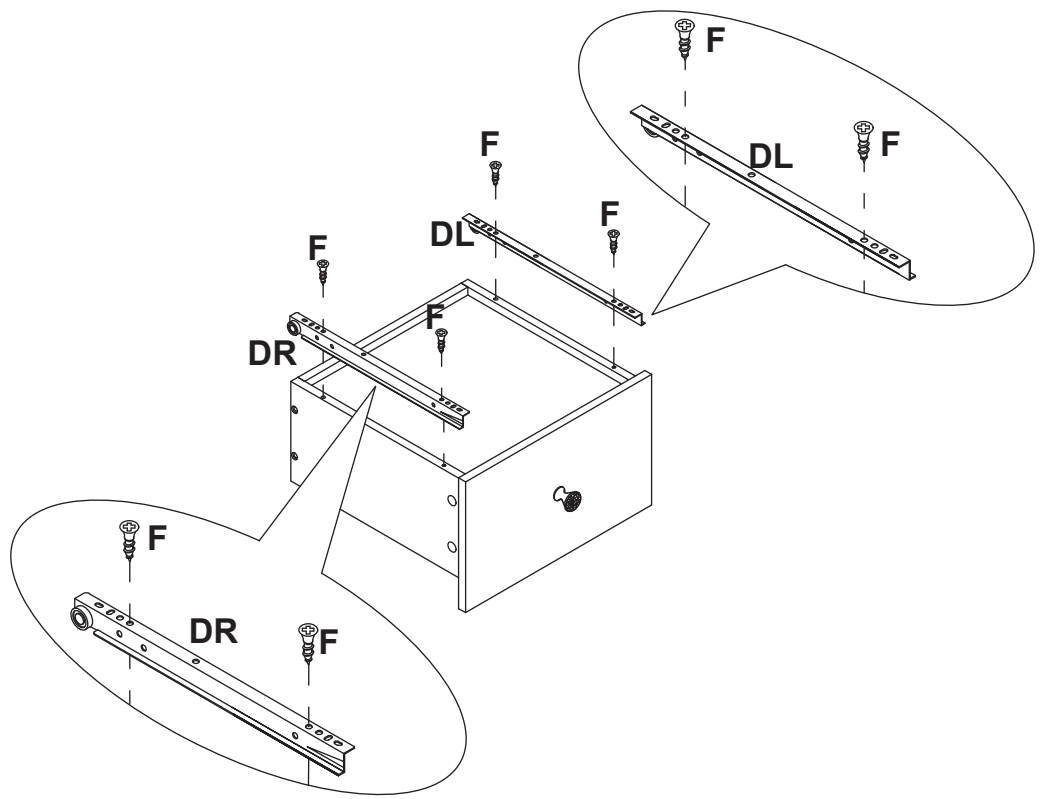
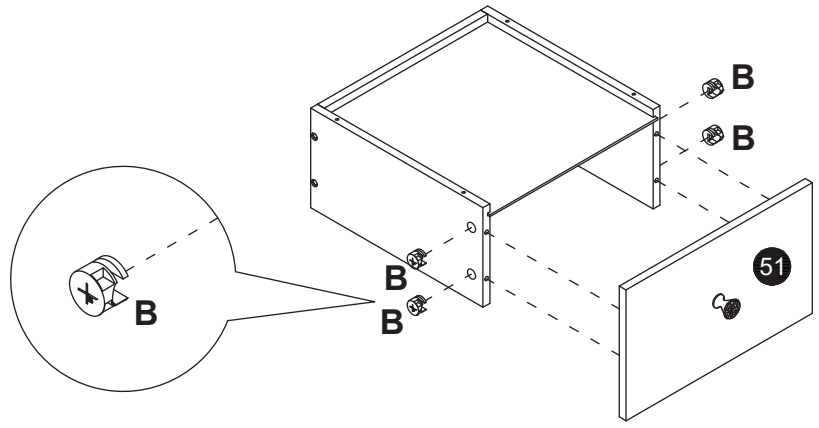
x2



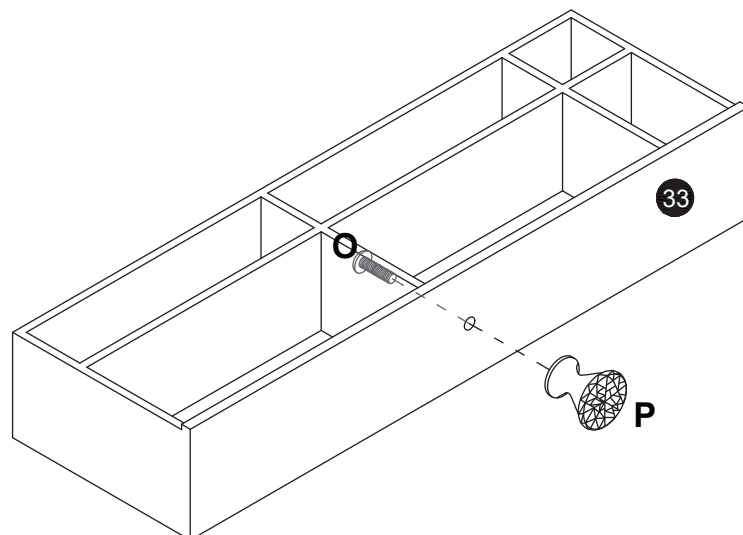
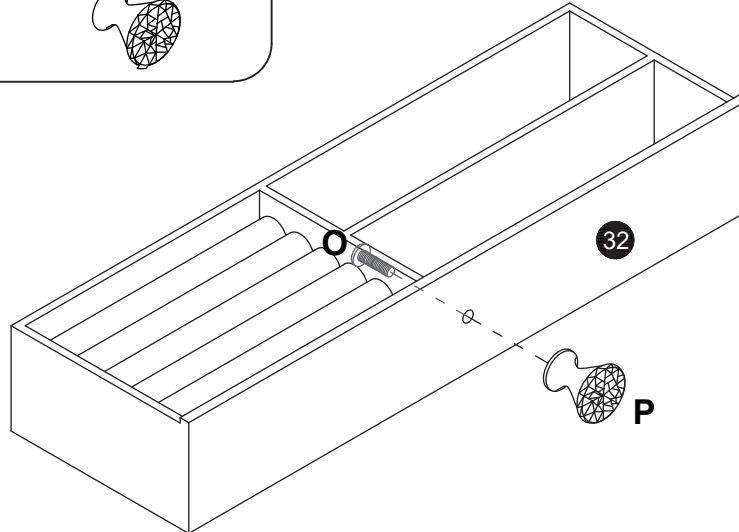
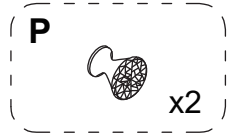
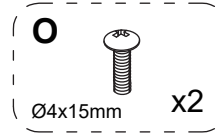
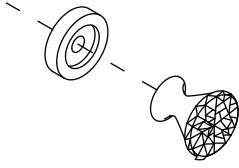
If the handle base falls off, please install it as follows. It will not affect the use.

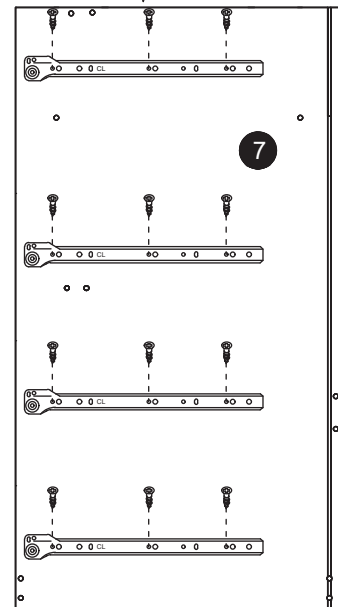
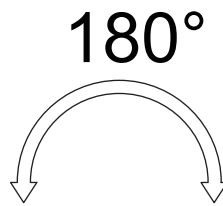
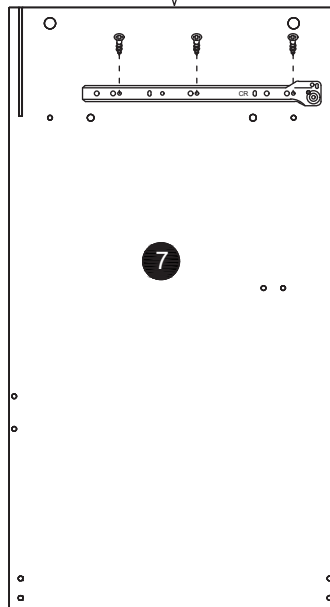
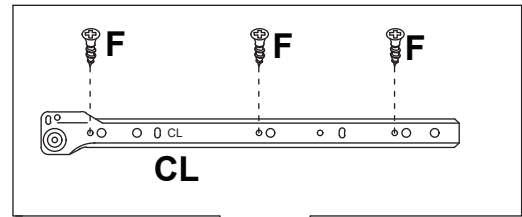
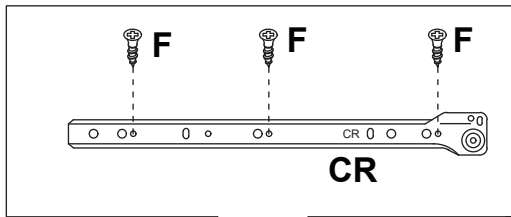
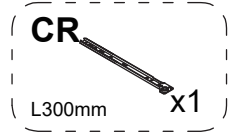
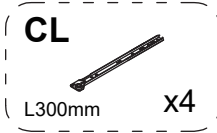
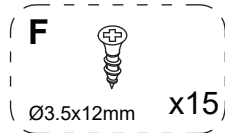


x2





If the handle base falls off,
please install it as follows.
It will not affect the use.

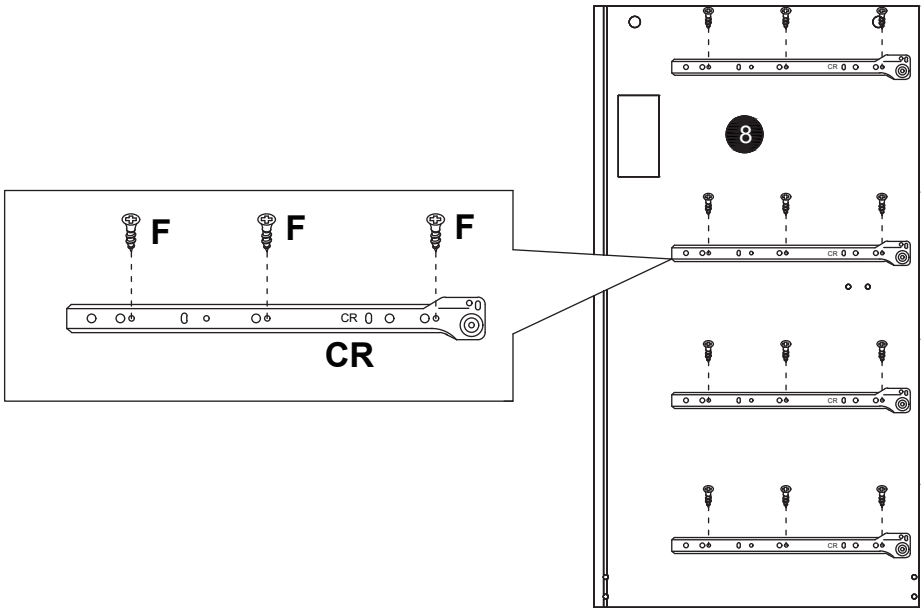





11


F 
Ø3.5x12mm x12

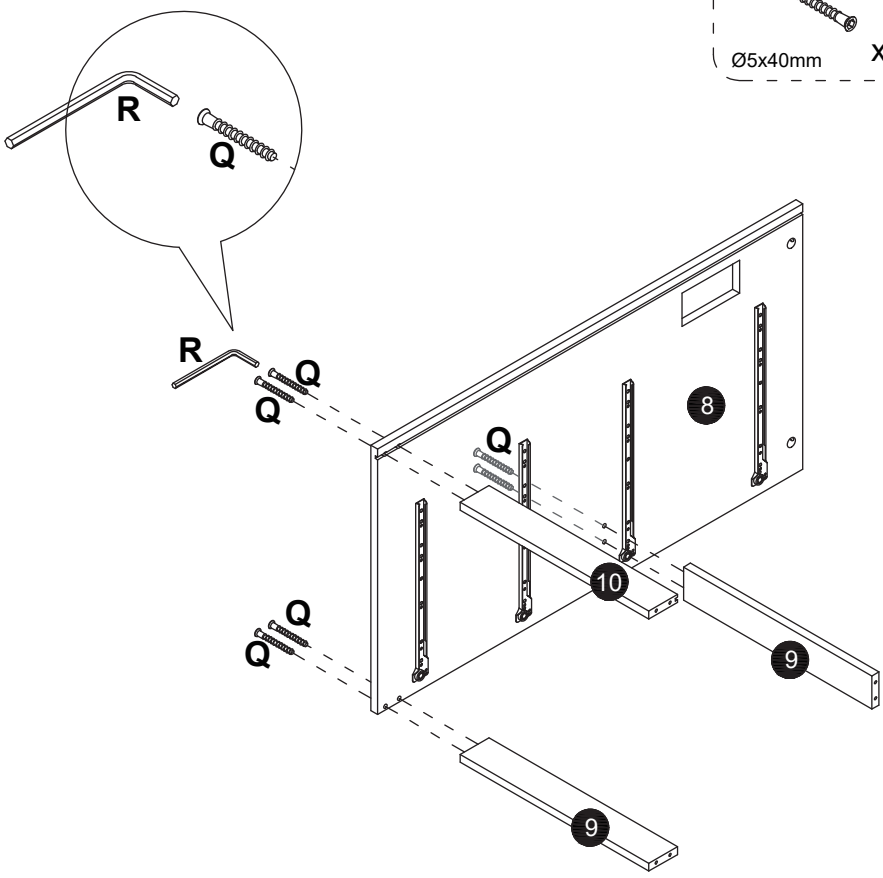
CR 
L300mm x4



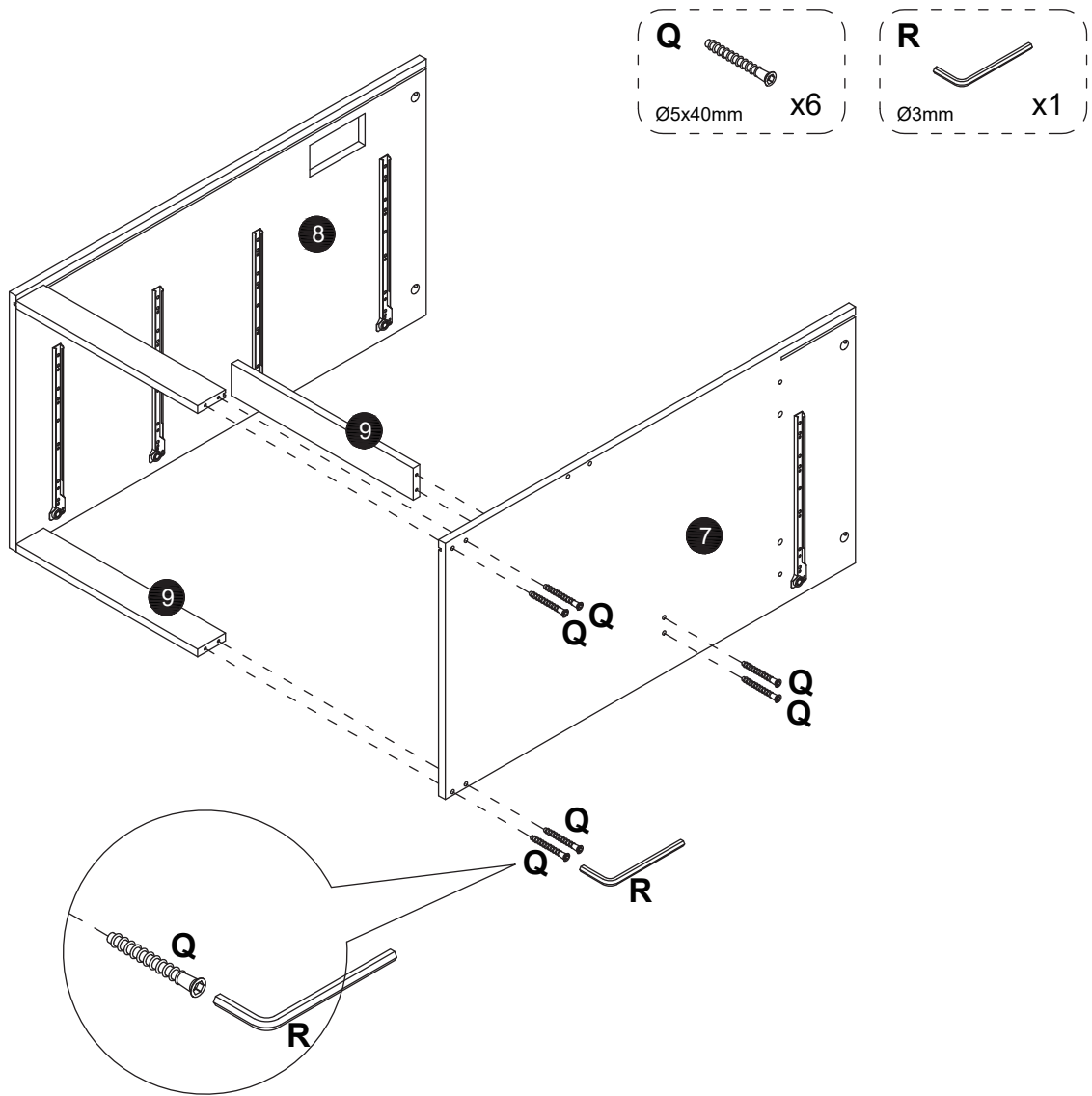
12

Q 
Ø5x40mm x6

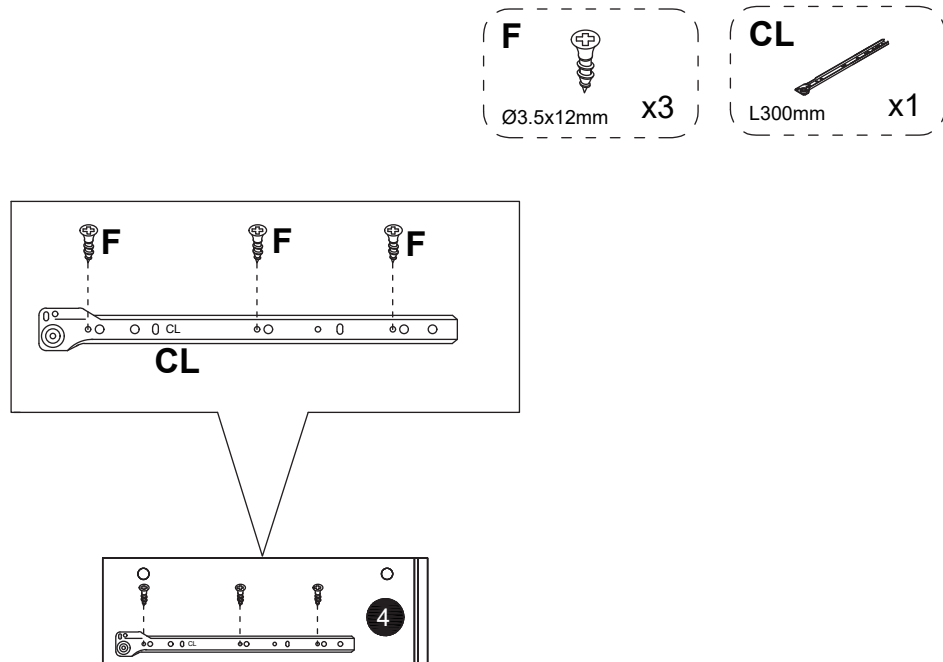
R 
Ø3mm x1



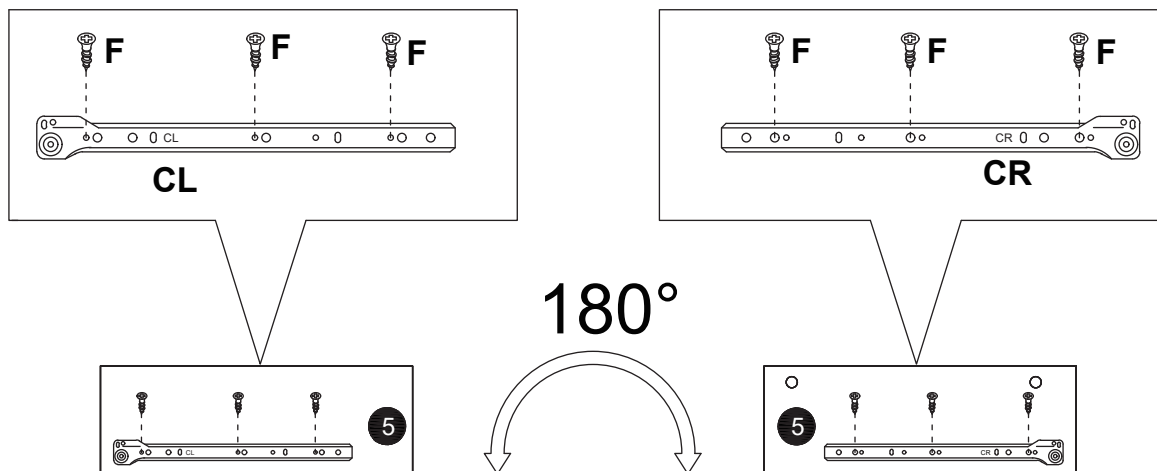
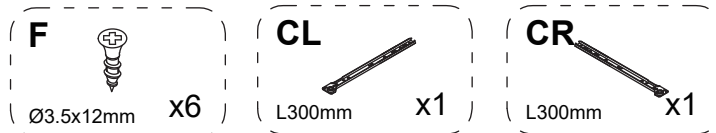
13



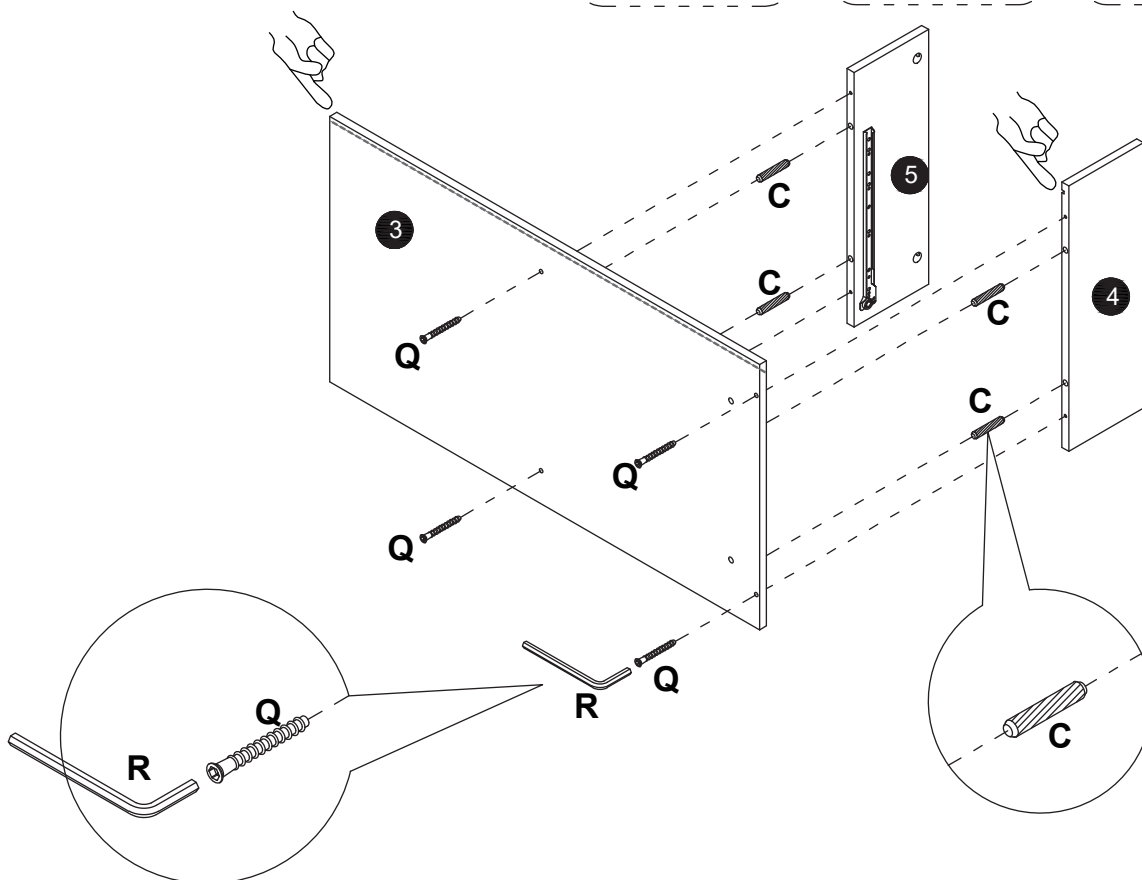
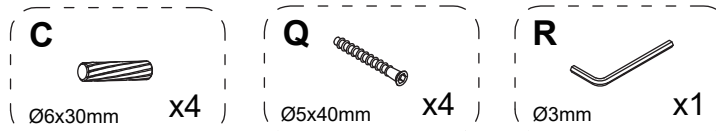
14

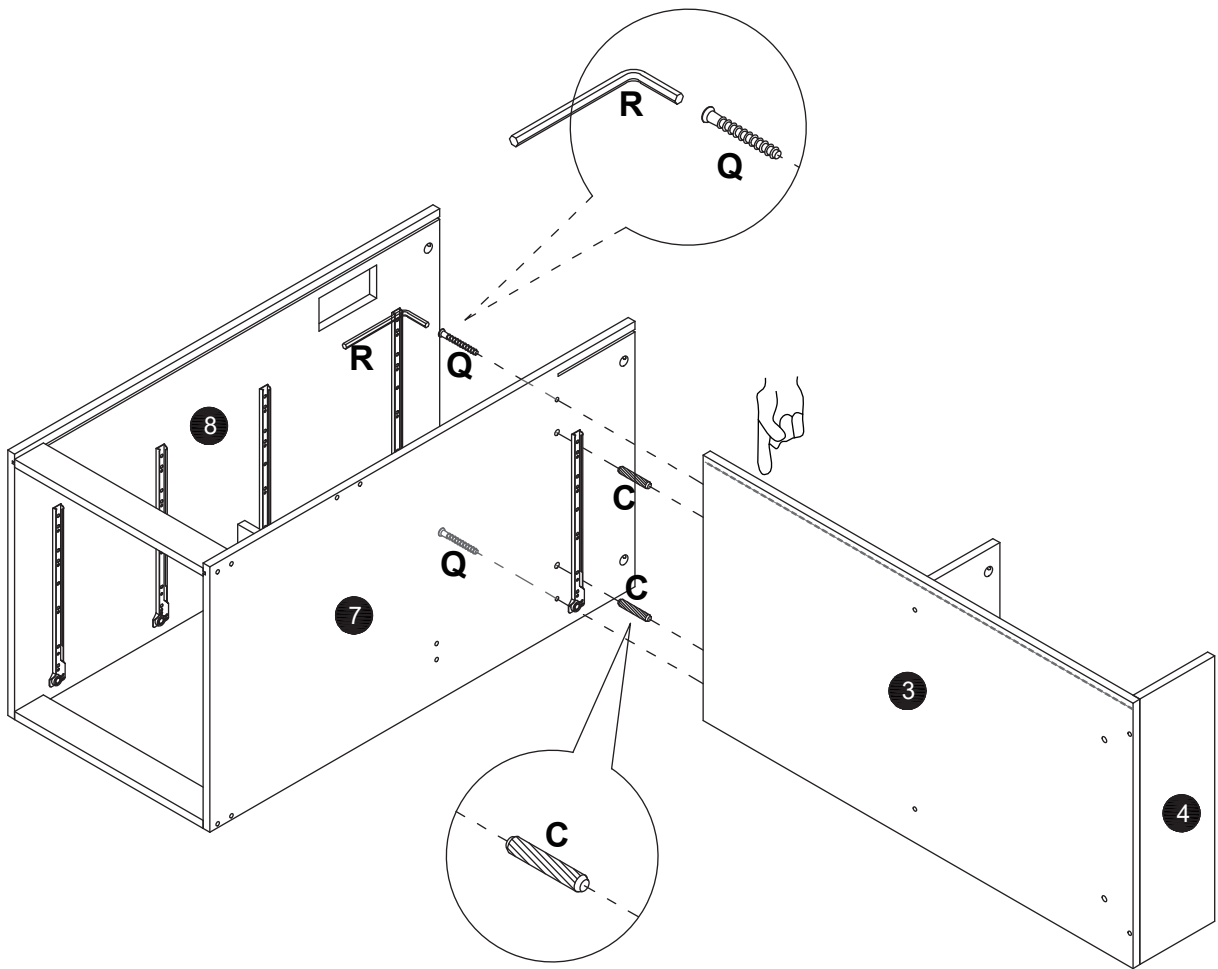
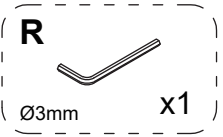
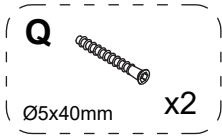
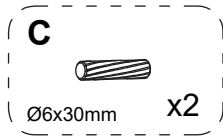


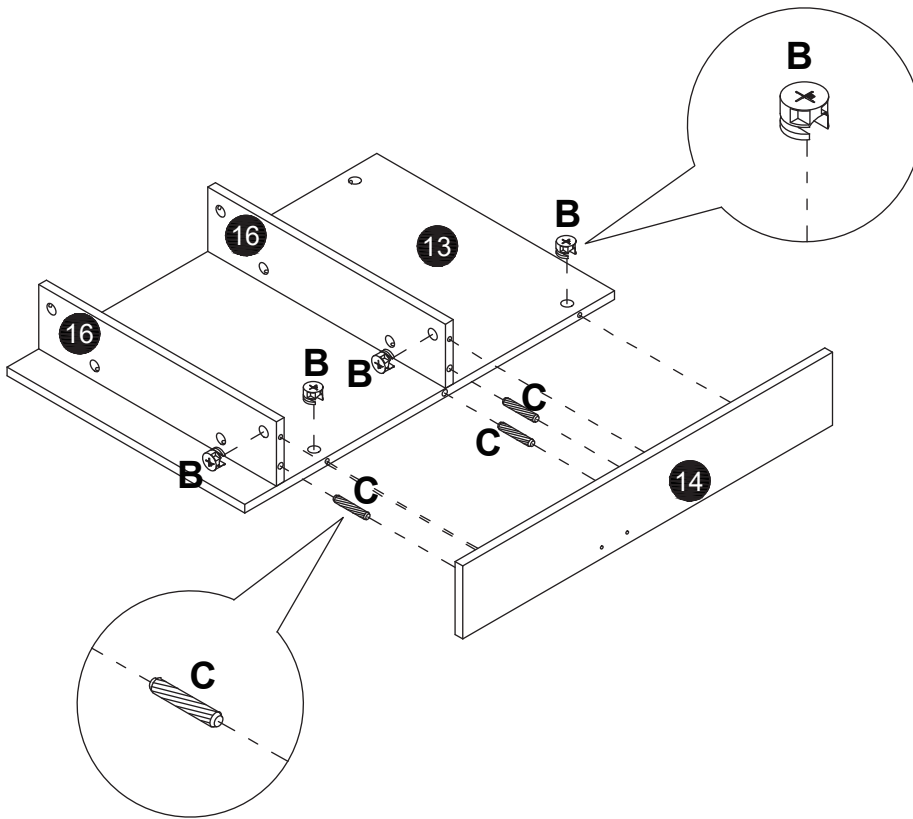
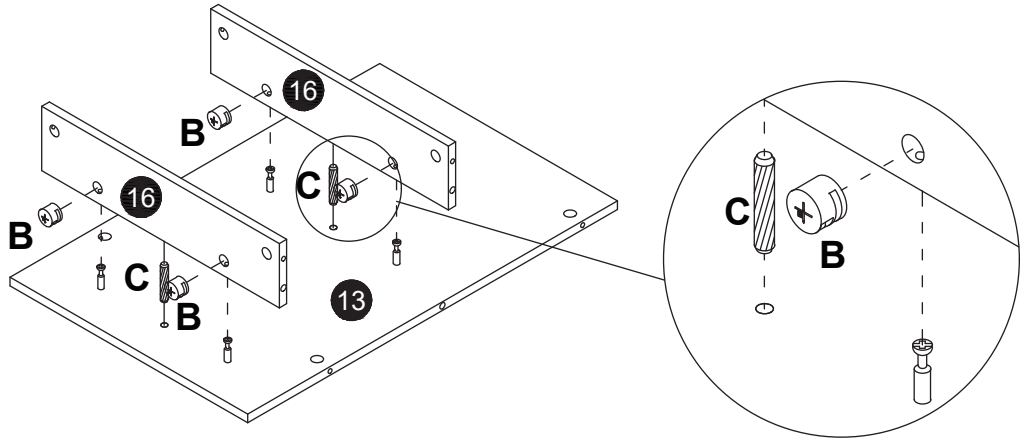
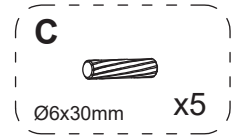
15

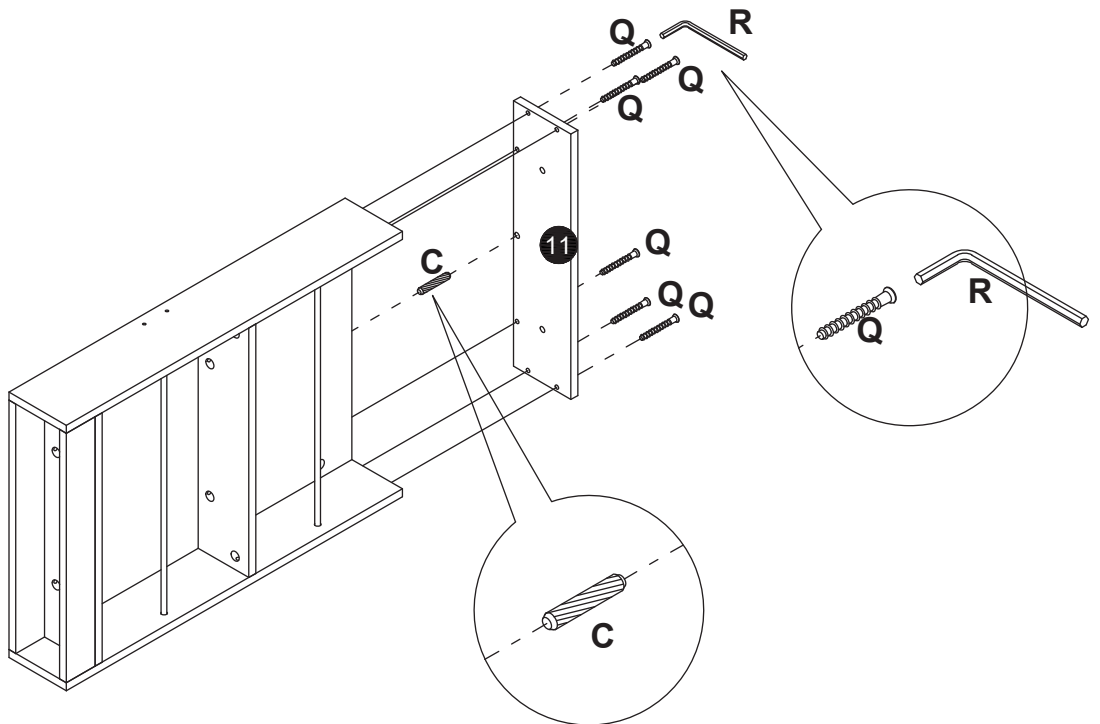
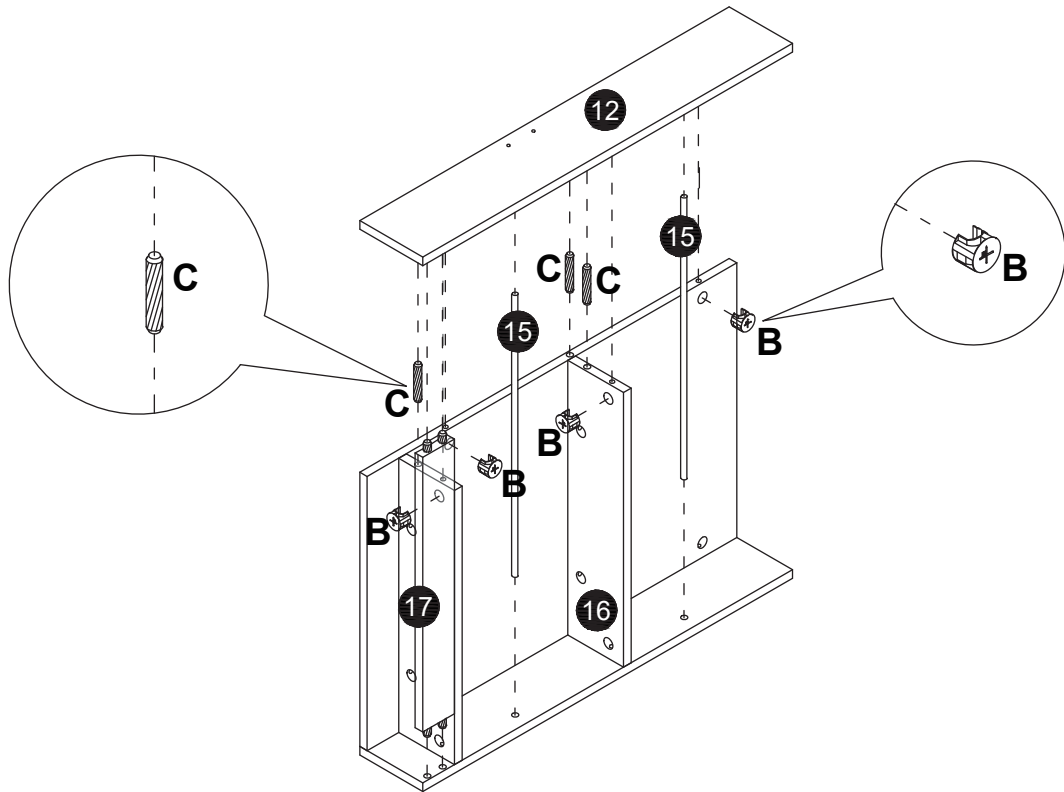
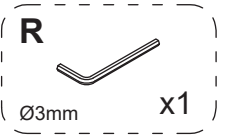
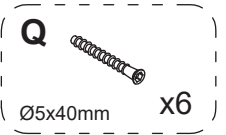
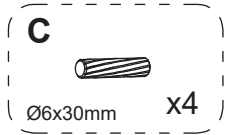
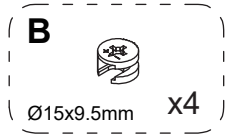


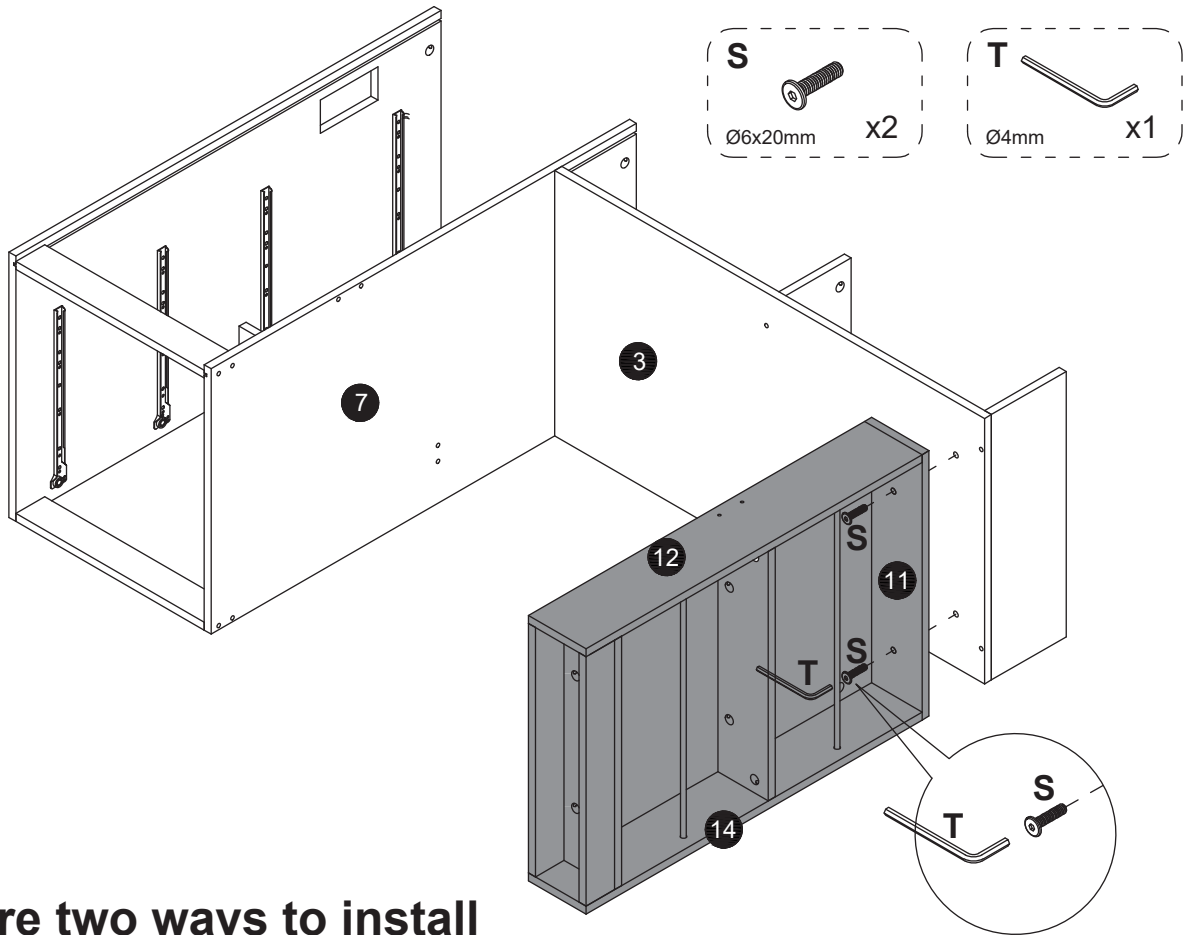
16



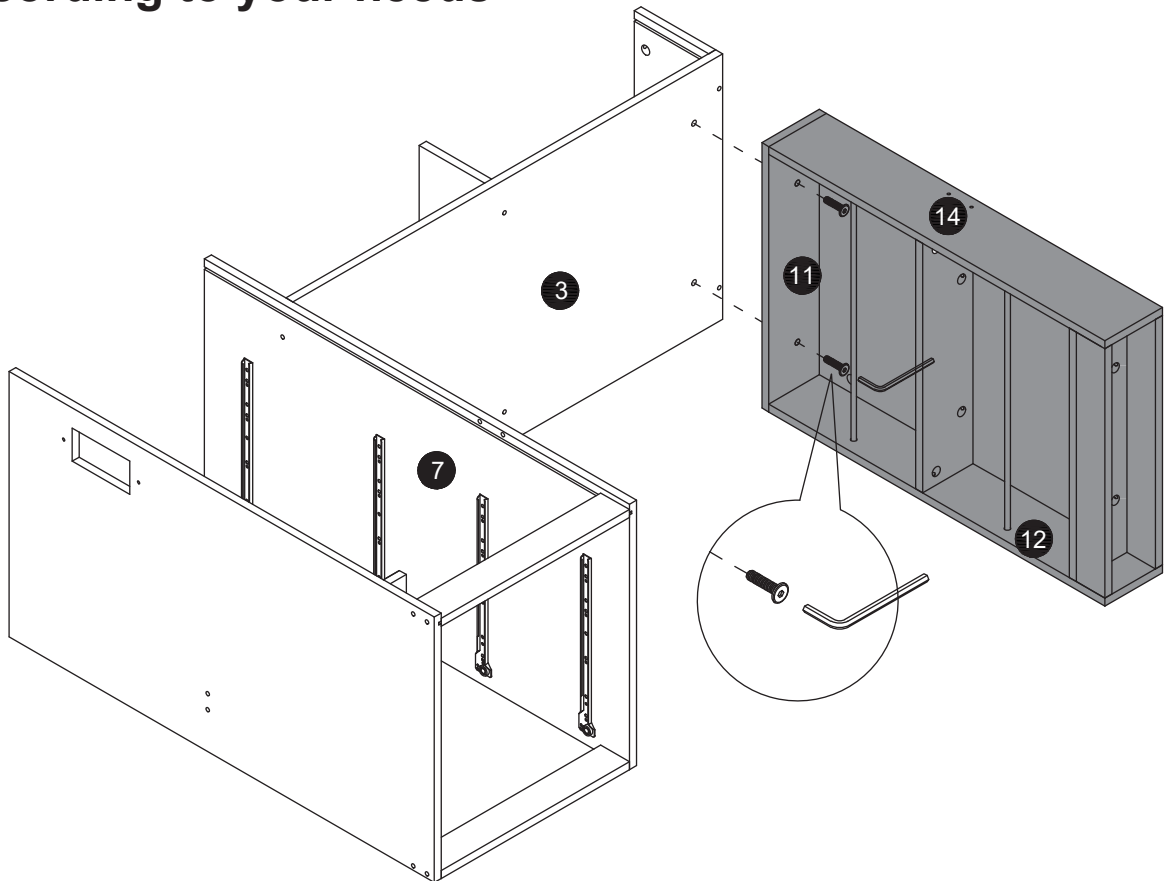


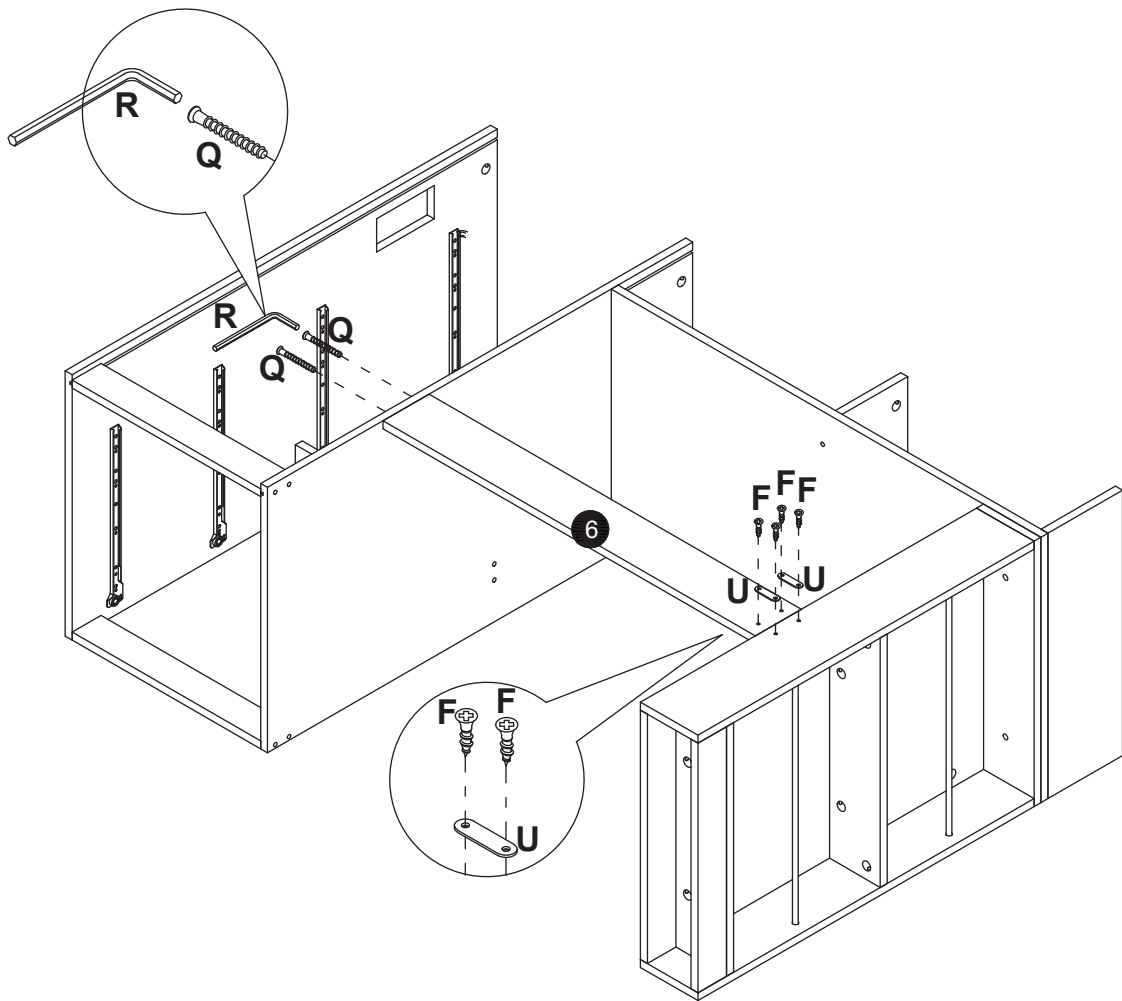
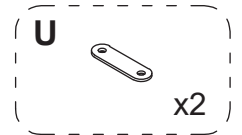
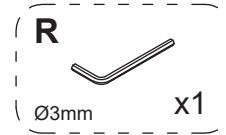
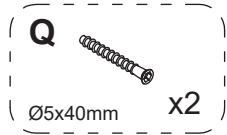
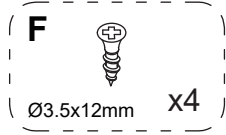


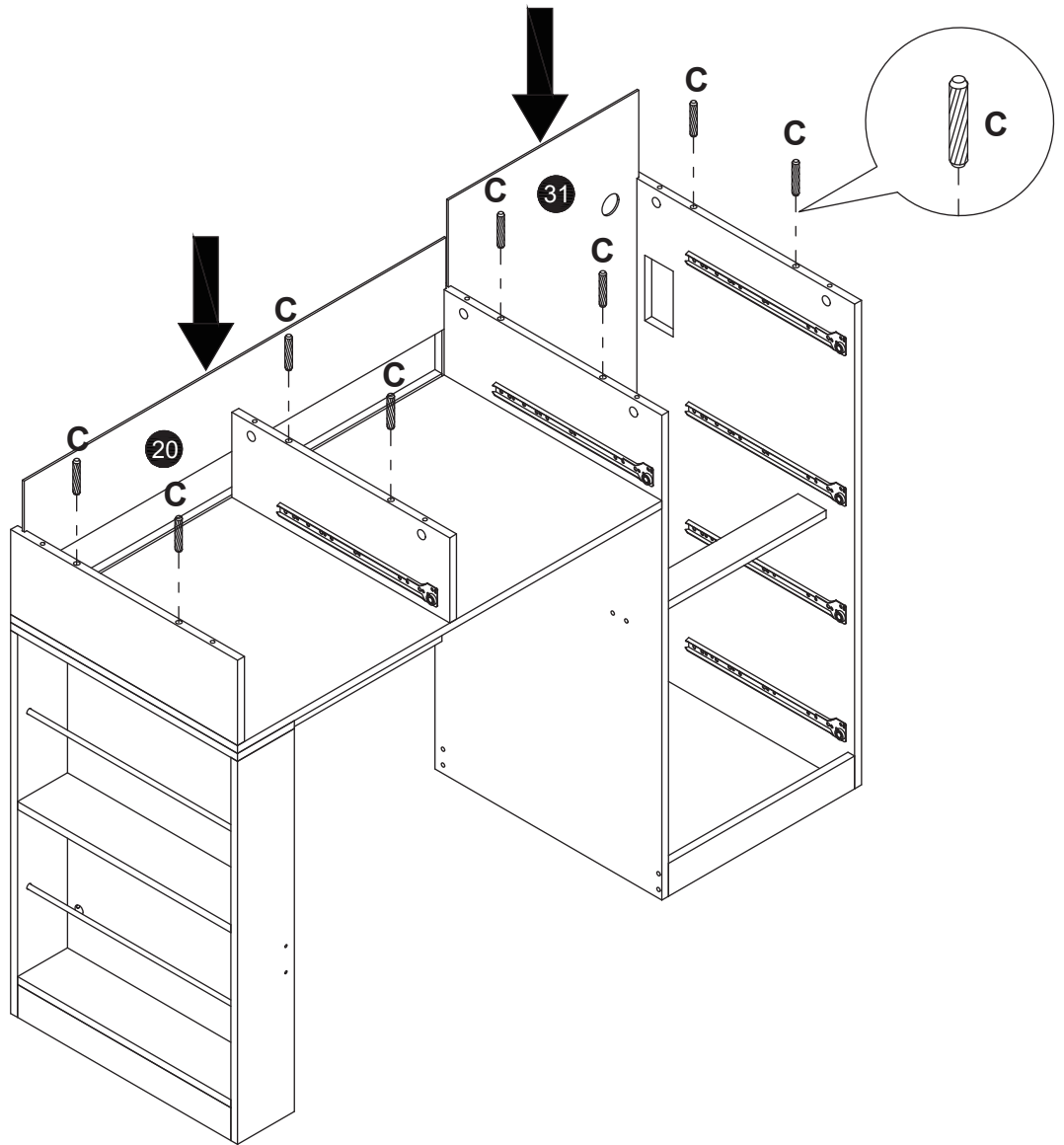
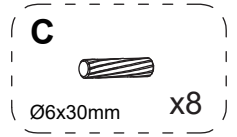


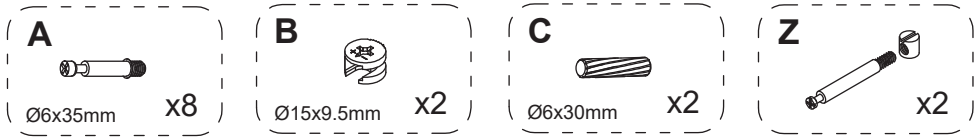


There are two ways to install the cabinet. Please install it according to your needs

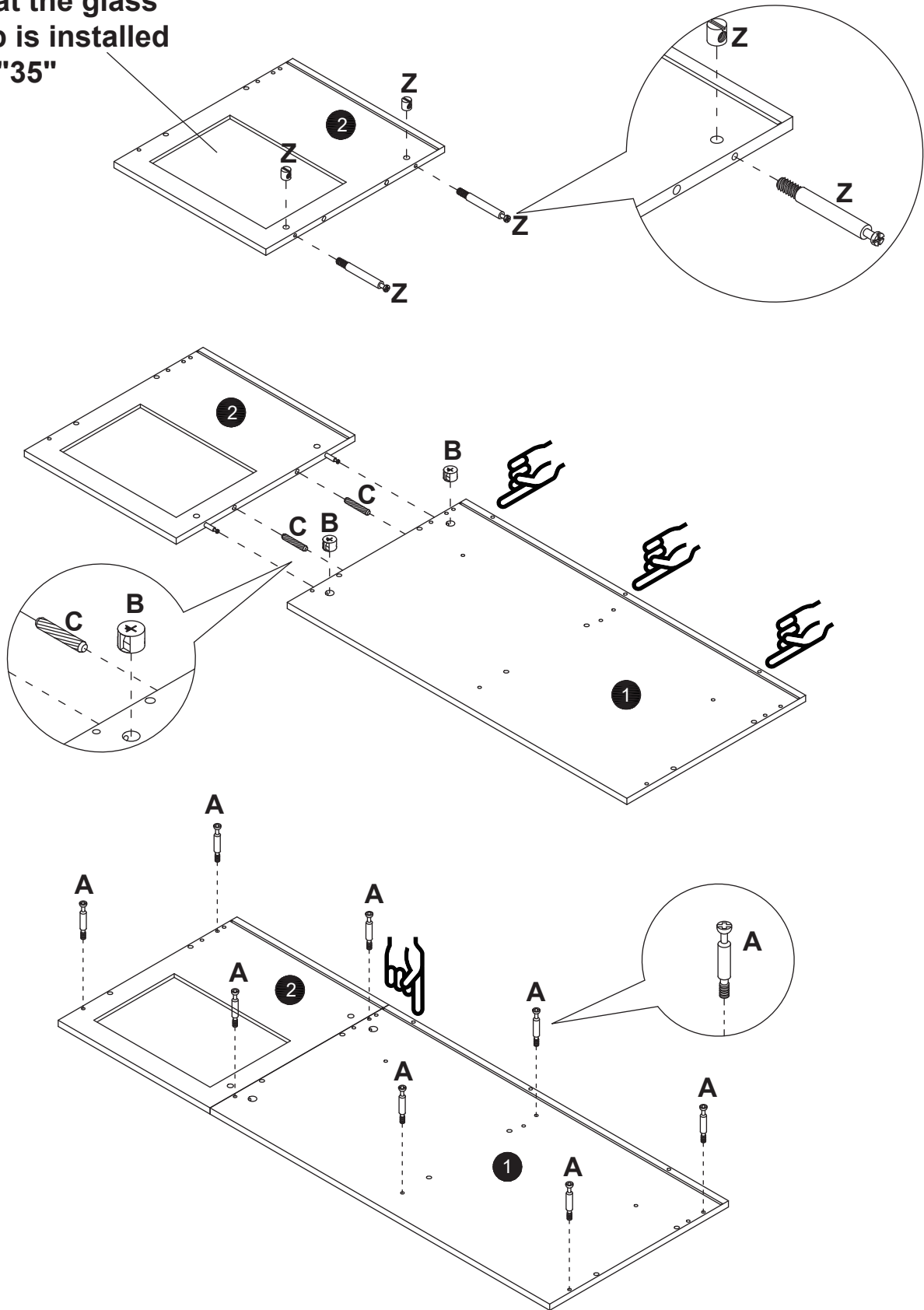


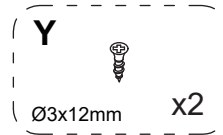
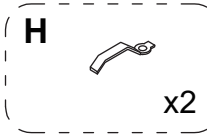
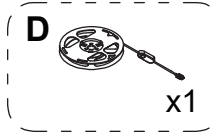





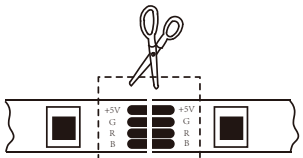


Note that the glass tabletop is installed in step "35"



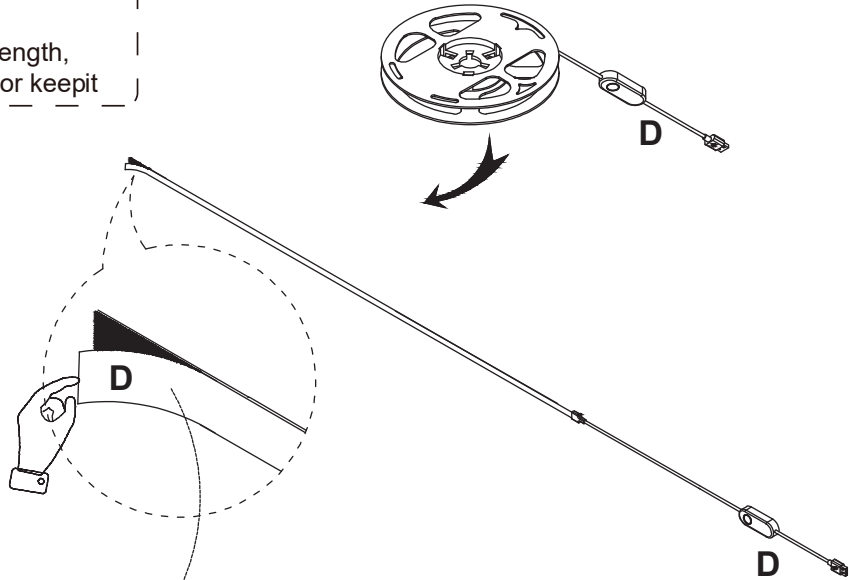




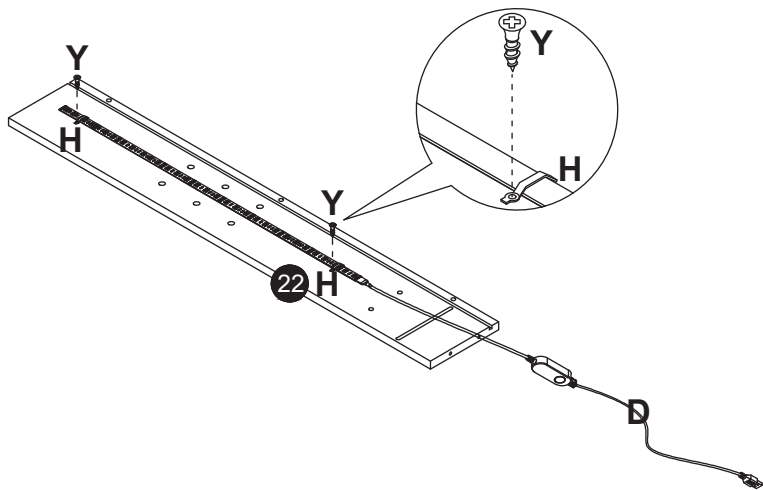


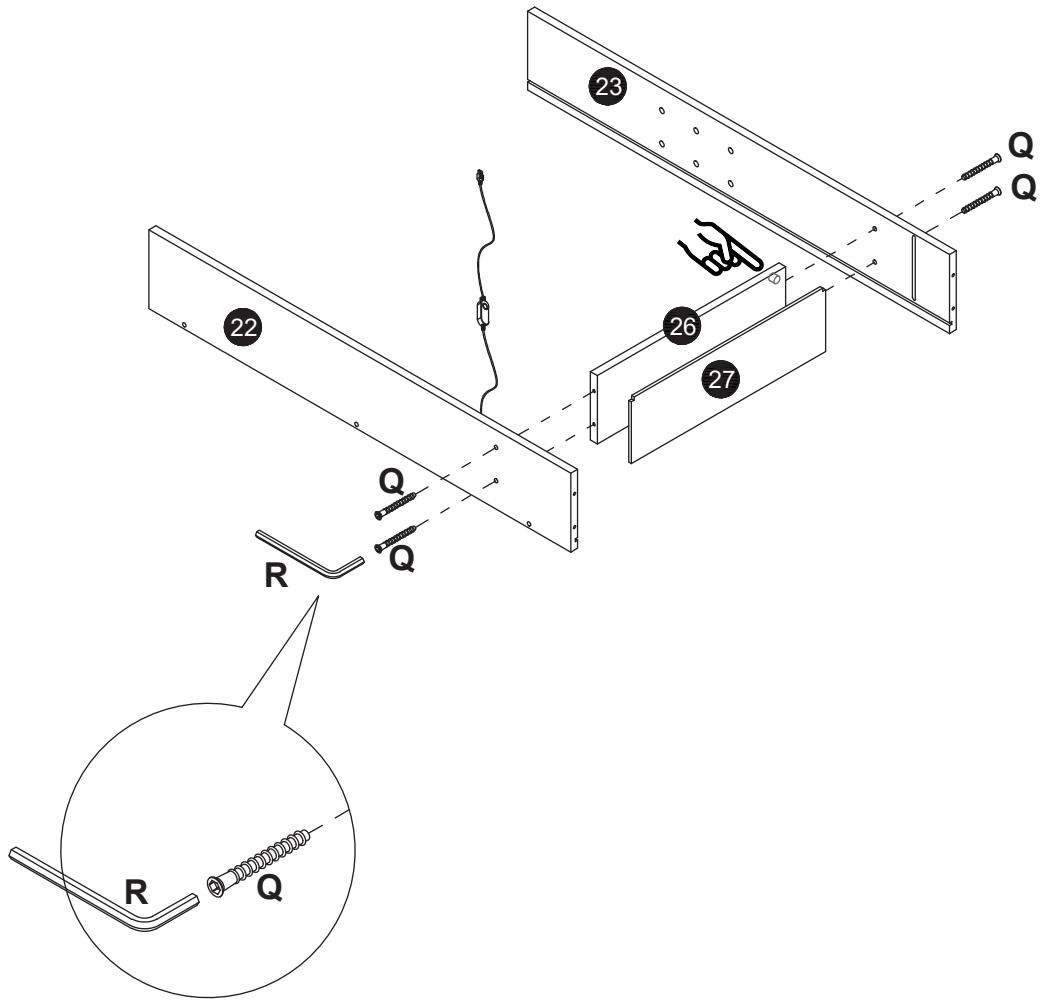
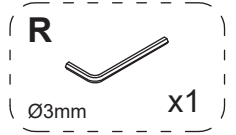
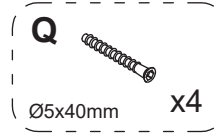
light bar

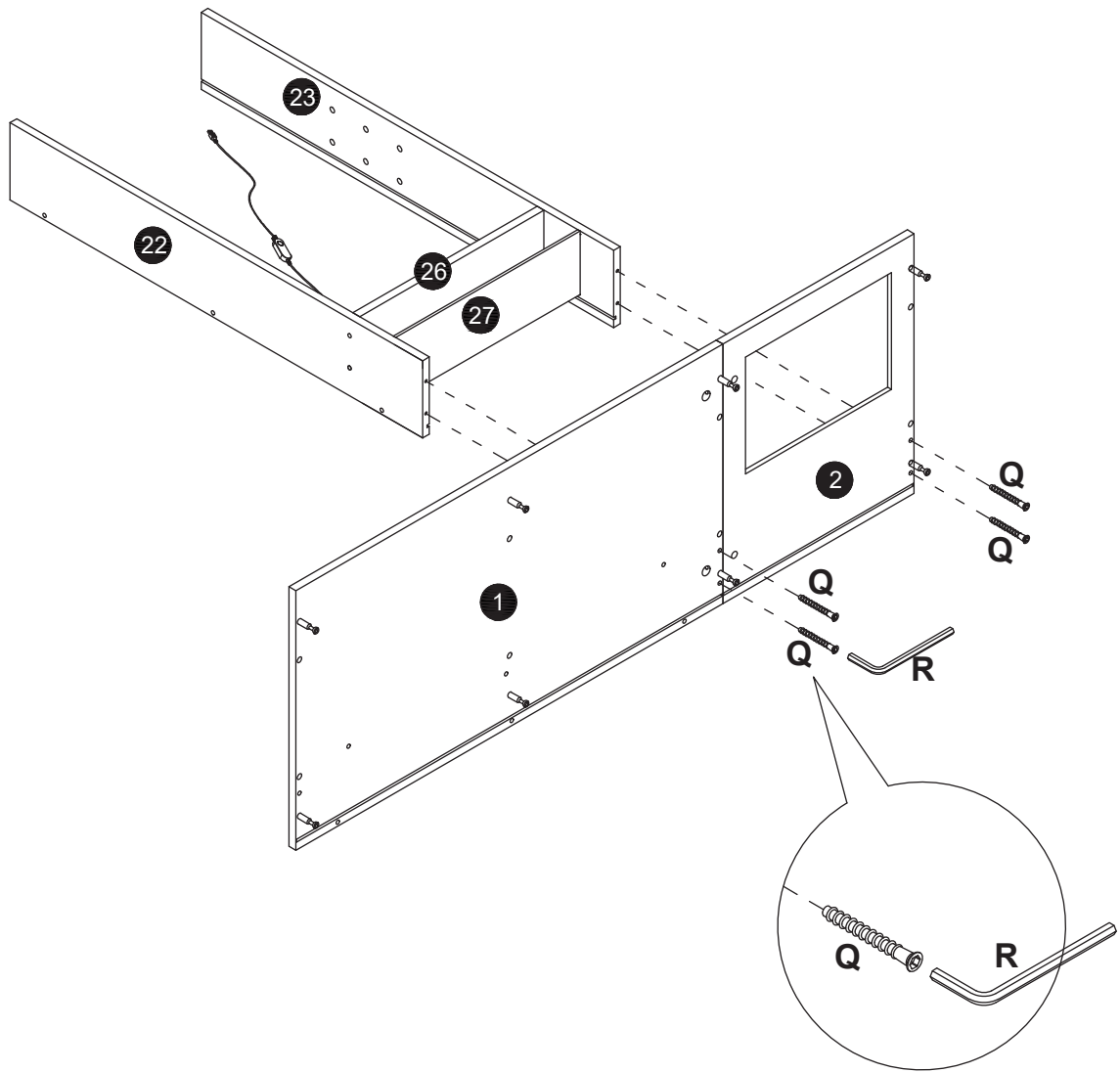
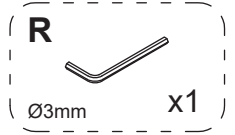
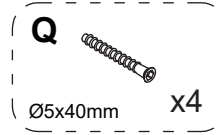
According to the actual length,
cut the excess light strip or keep it

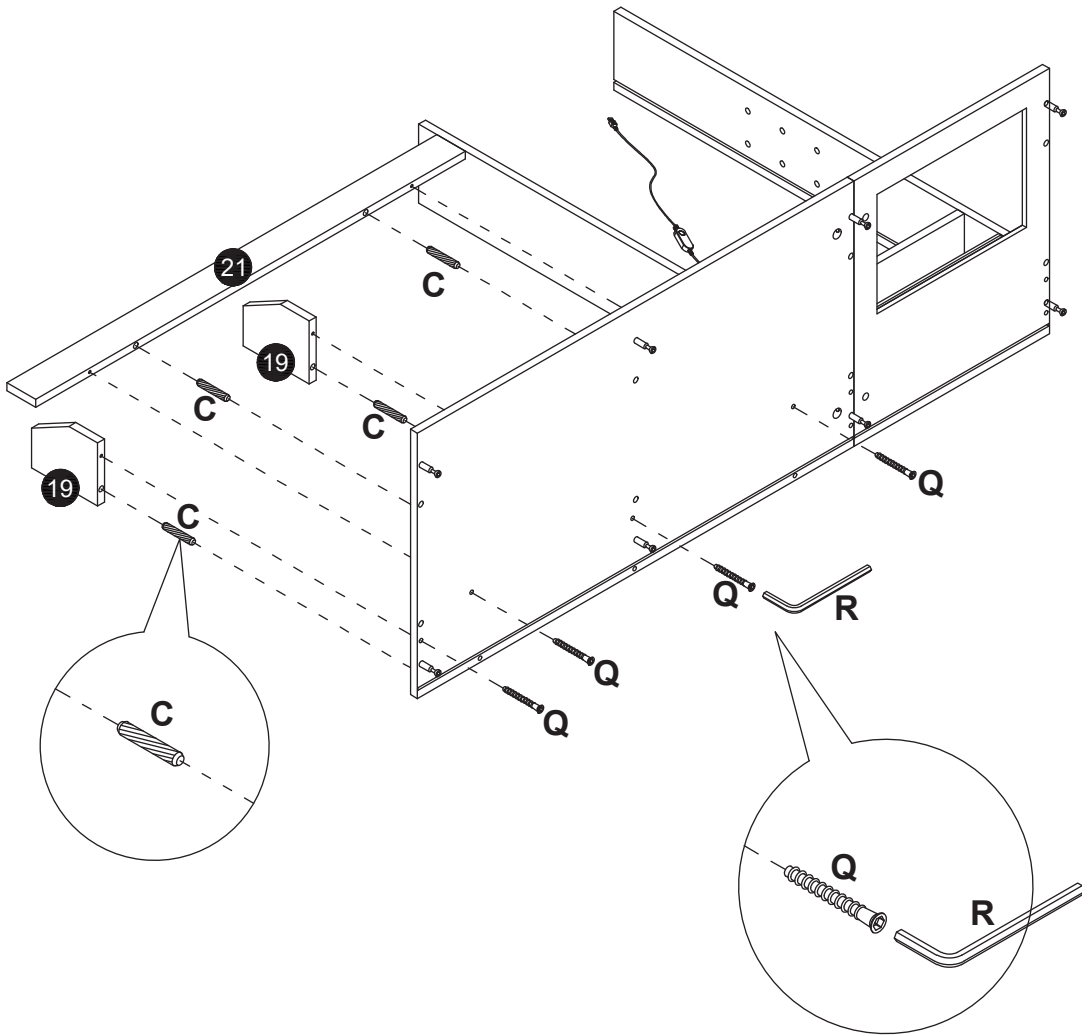
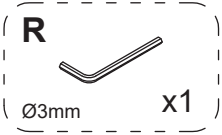
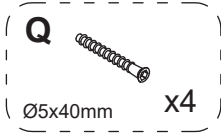
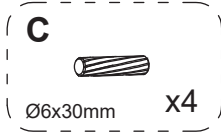


Tear off the back
glue of the light strip

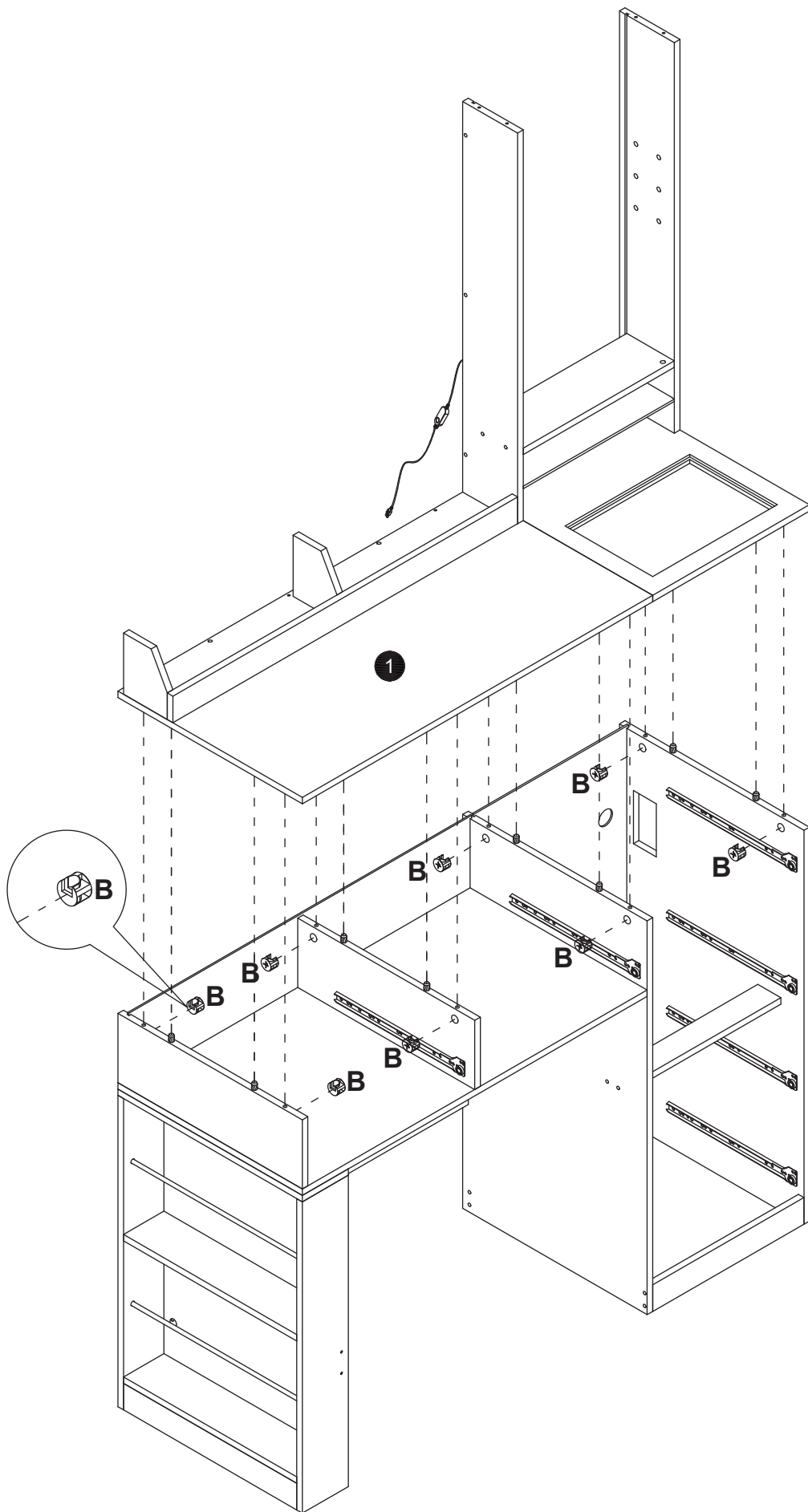


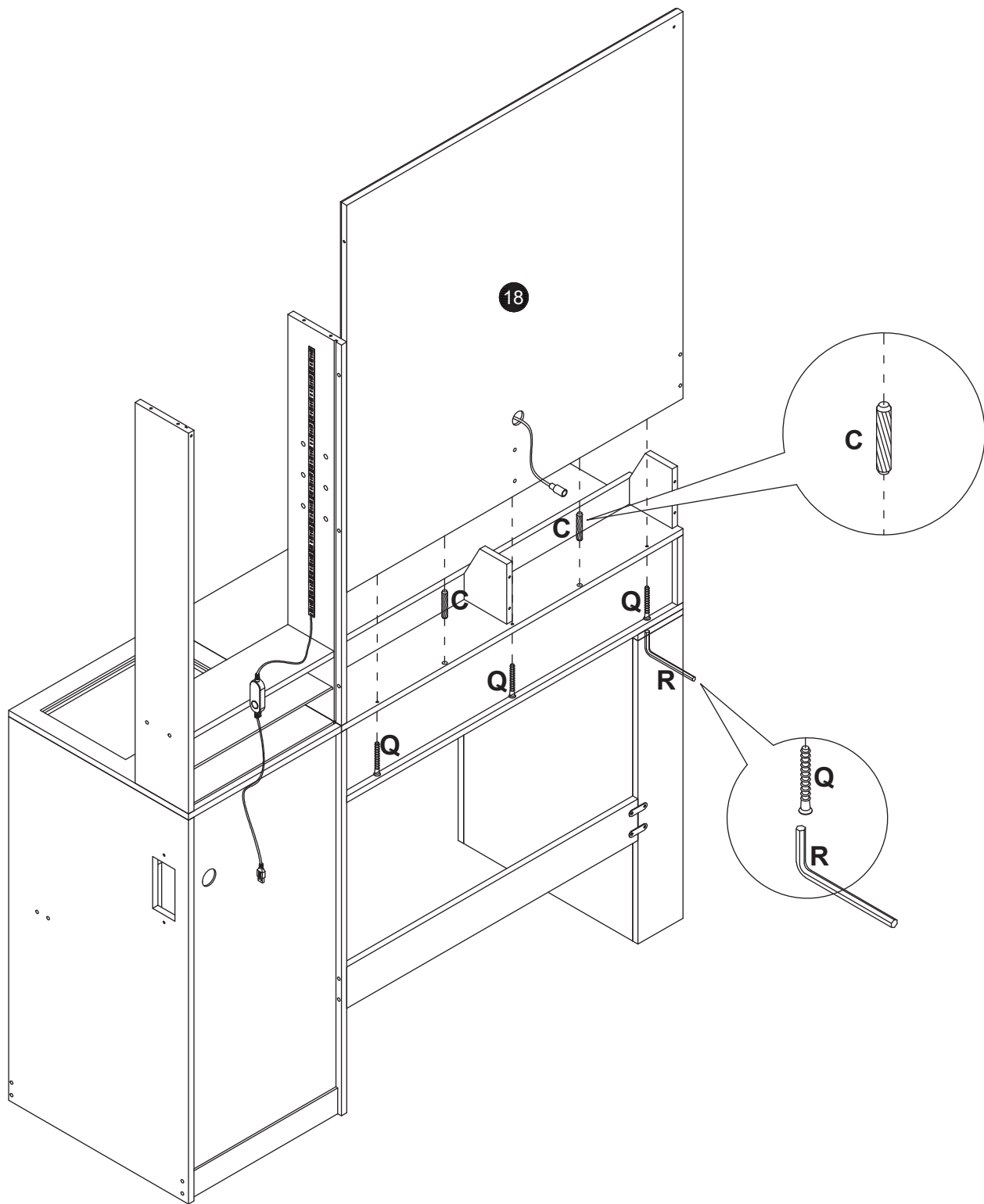
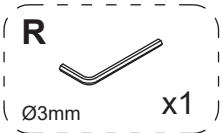
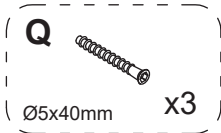
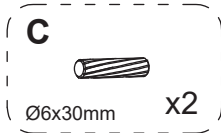


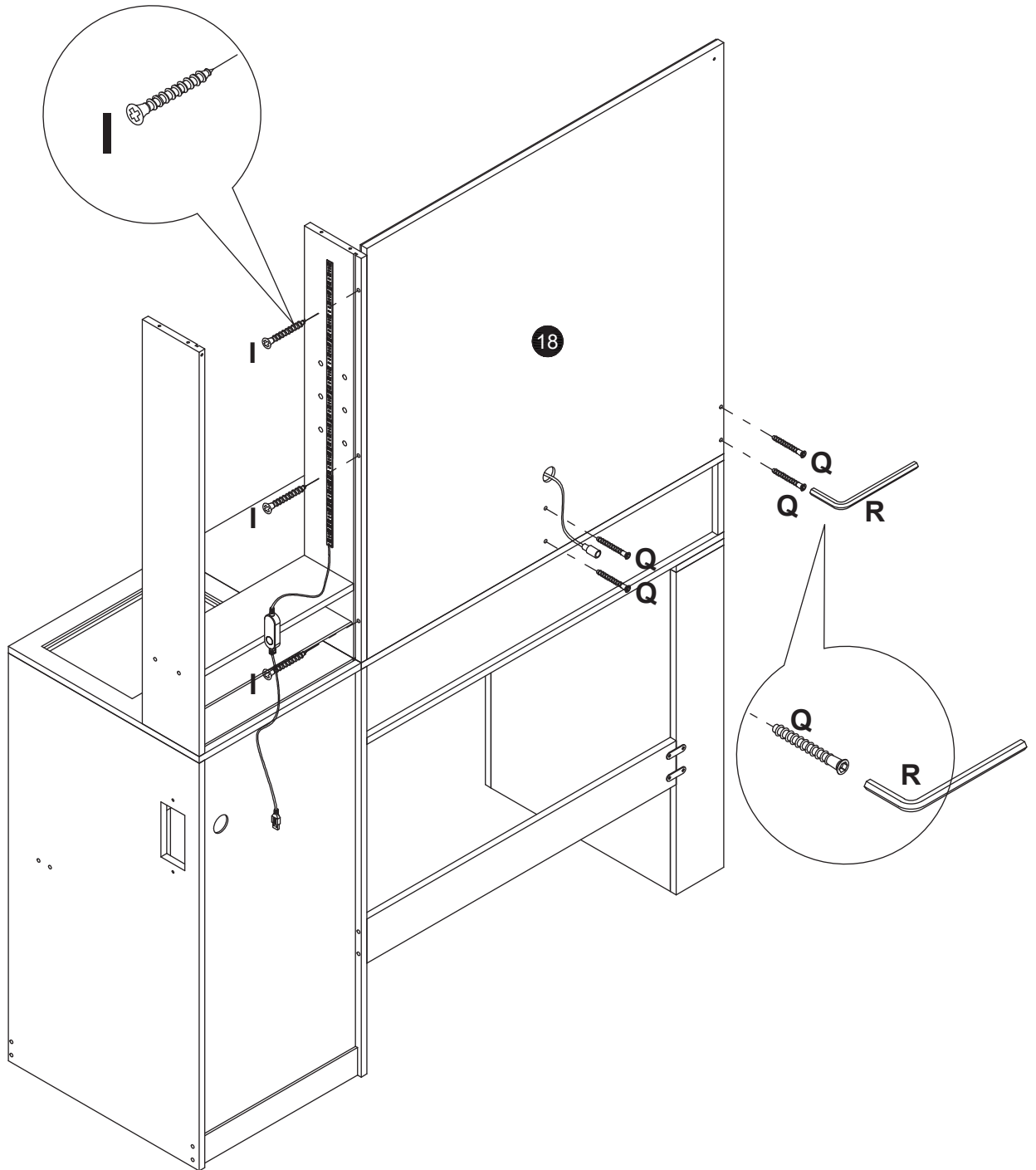
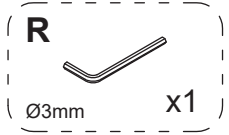
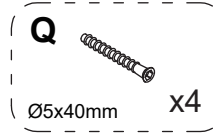
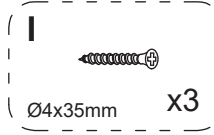


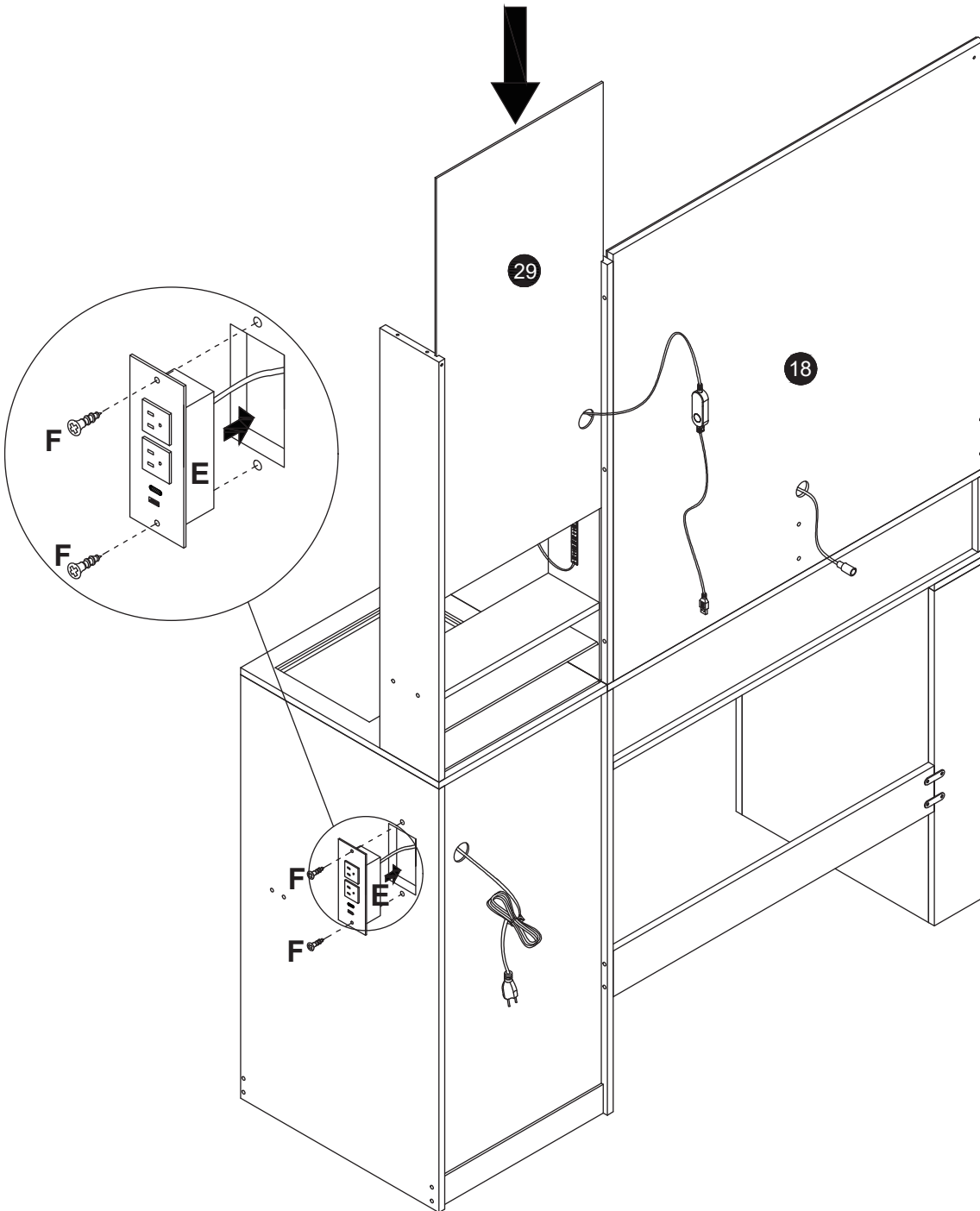
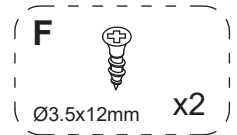
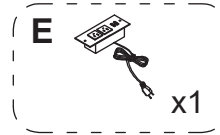






B
Ø15x9.5mm x8

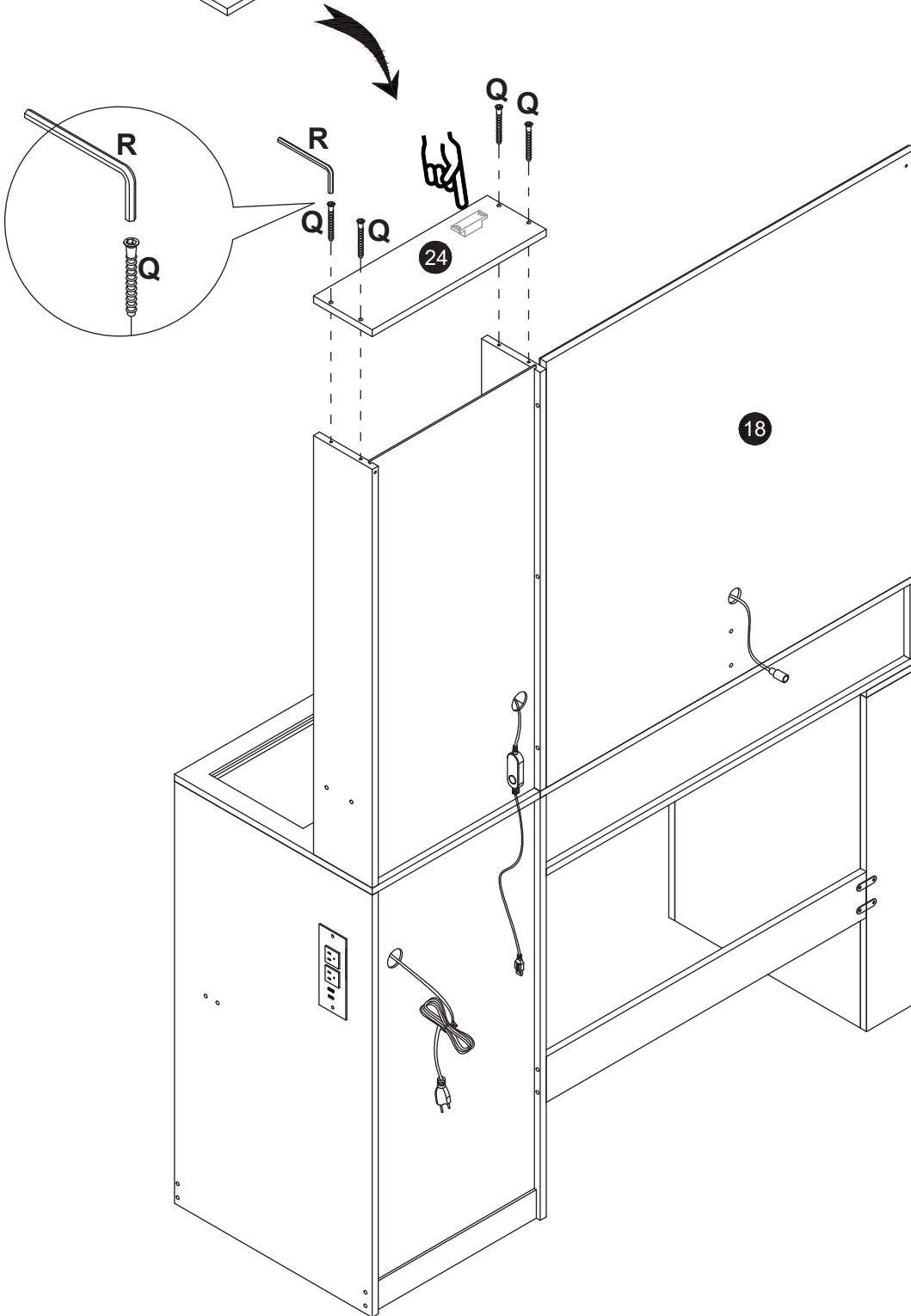
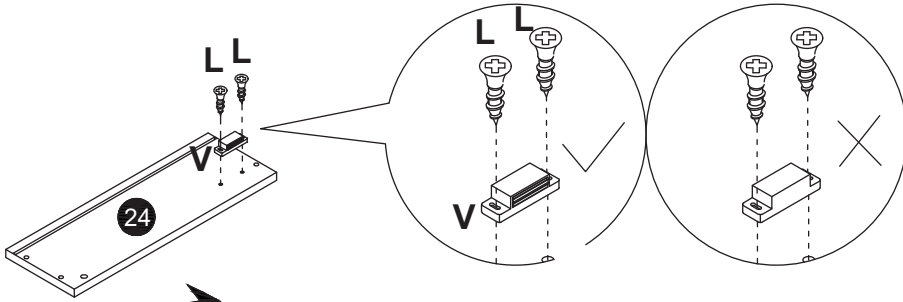


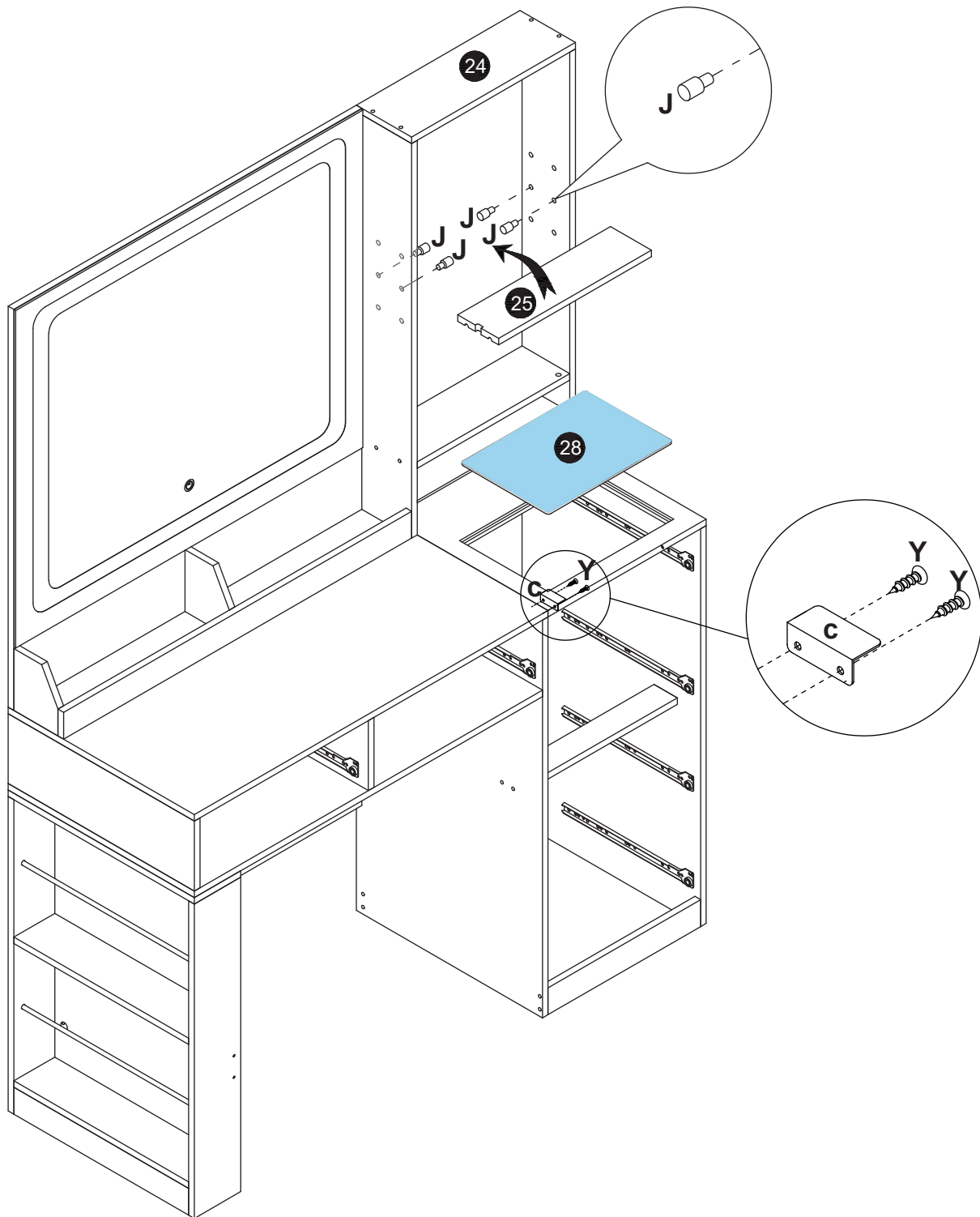
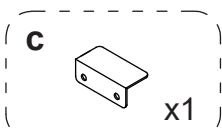
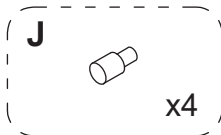
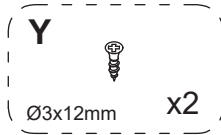


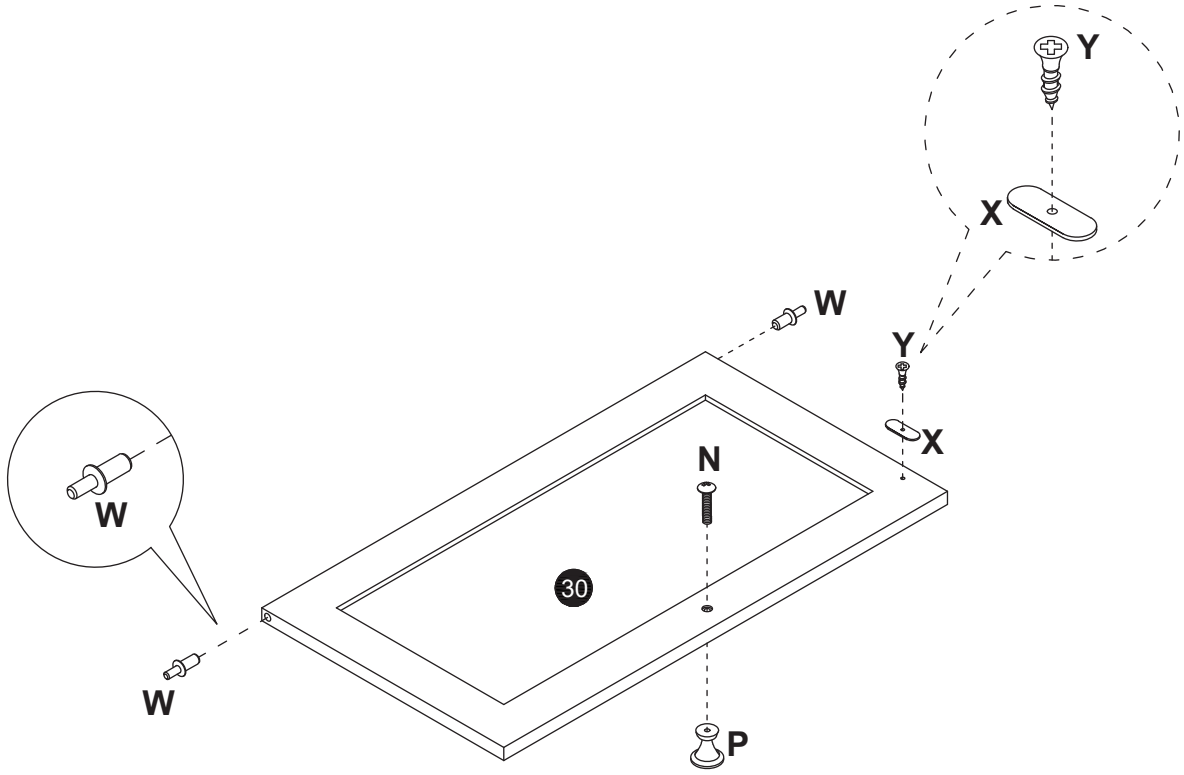
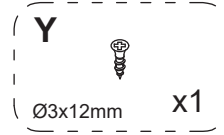
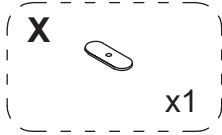
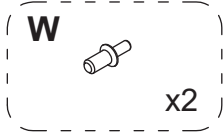
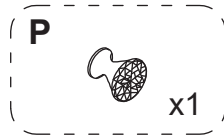
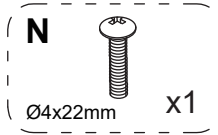




- V  x1
- L  Ø3x14mm x2
- Q  Ø5x40mm x4
- R  Ø3mm x1







If the handle base falls off, please install it as follows. It will not affect the use.

