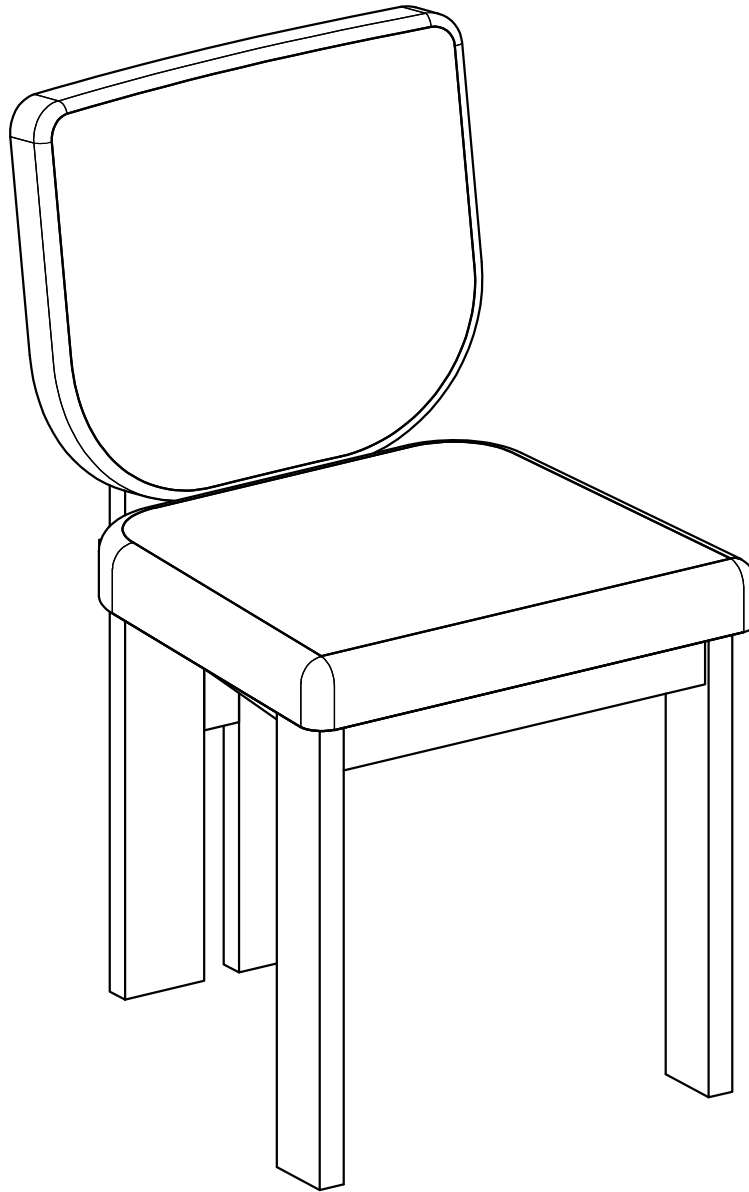


# ASSEMBLY INSTRUCTION

ITEM NO.N715P420038

Dining Chair



# ASSEMBLY INSTRUCTION

ITEM NO.N715P420038

Please read these instructions fully before starting assembly:

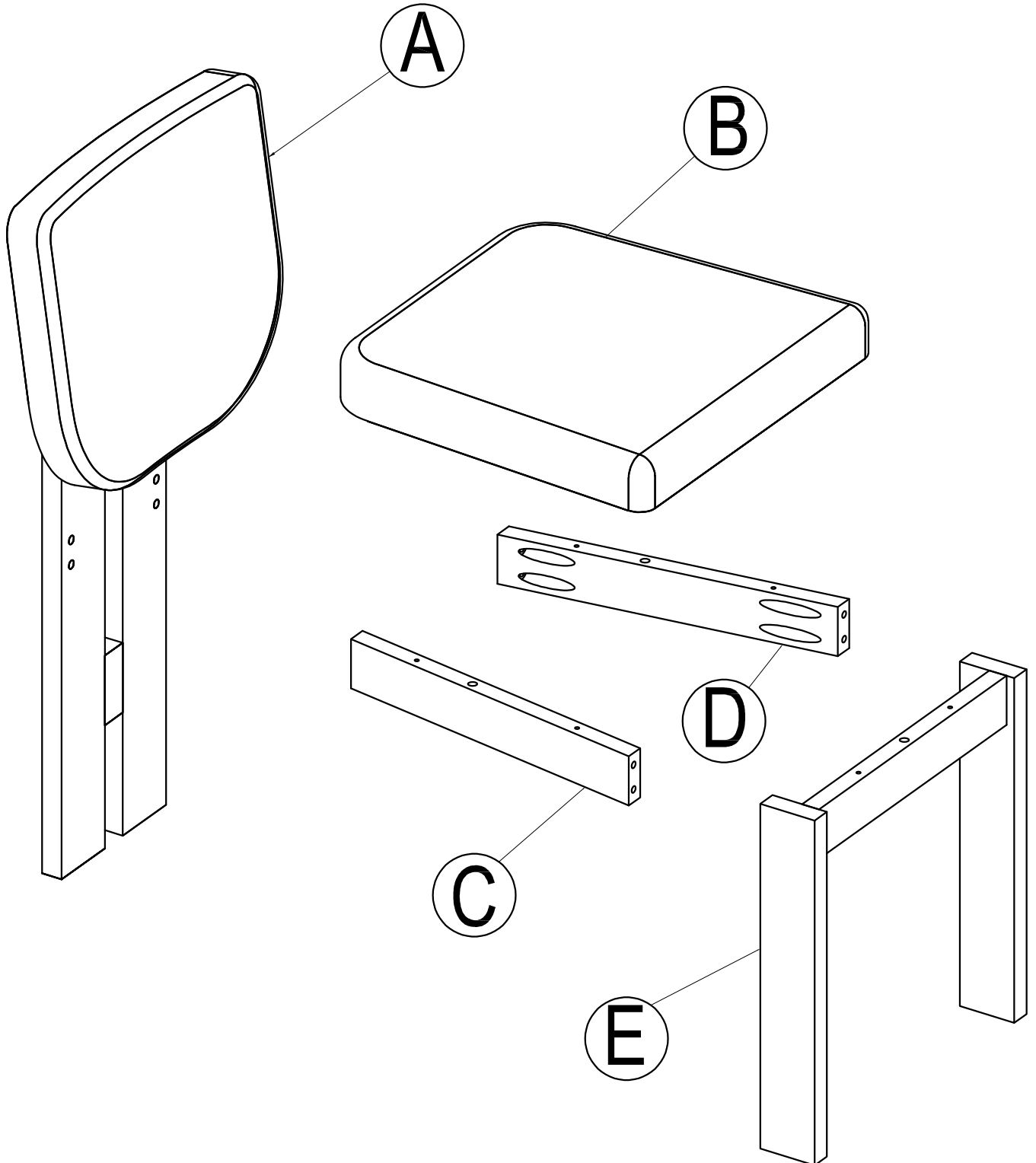
1. Place all wooden parts on a clean and smooth surface such as a rug or carpet to avoid scratching the parts.
2. Kindly follow the assembly instructions step by step.
3. Do not tighten all screws and bolts until the table is fully assembled.
4. Unscrew the protective plastique supports from the metal insert of the table legs before assembly.
5. Parts of the assembly will be easier with 2 people.

Care and maintenance:

Only clean using a damp cloth and mild detergent, do not use bleach or abrasive cleaners.

# ASSEMBLY INSTRUCTION

ITEM NO.N715P420038

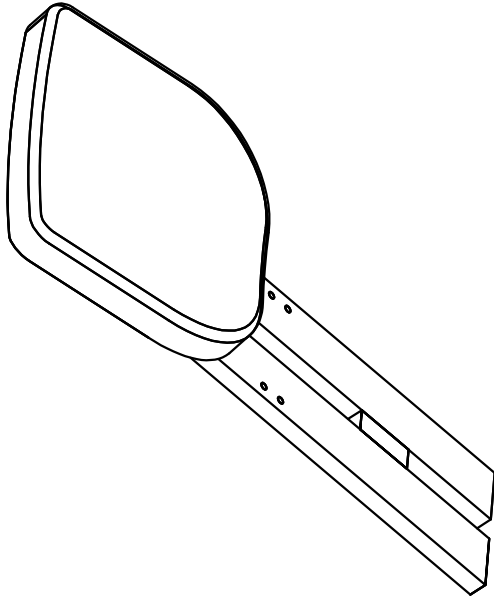


# ASSEMBLY INSTRUCTION

ITEM NO.N715P420038

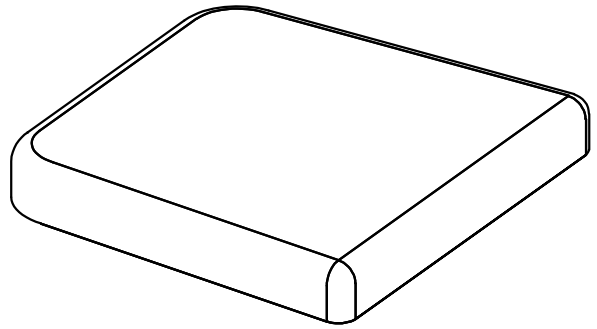
## Part List For 3 Chairs

(A)



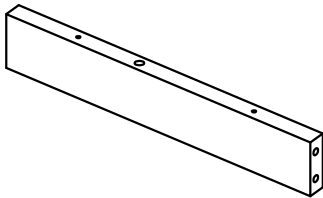
CHAIR BACK (3 pcs)

(B)



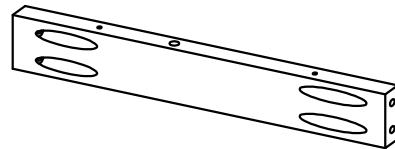
CUSHION SEAT (3 pcs)

(C)



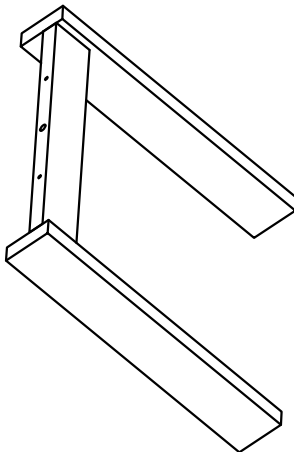
LEFT SIDE STRETCHER (3 pcs)

(D)



RIGHT SIDE STRETCHER (3 pcs)

(E)

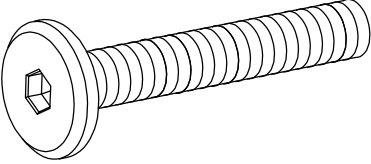

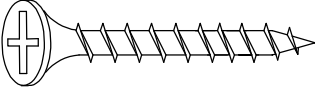
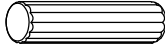
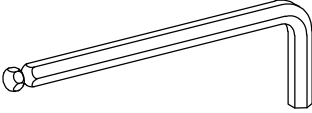
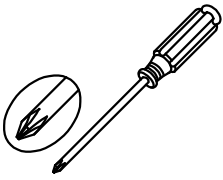


LEG LEFT (3pcs)

# ASSEMBLY INSTRUCTION

ITEM NO.N715P420038

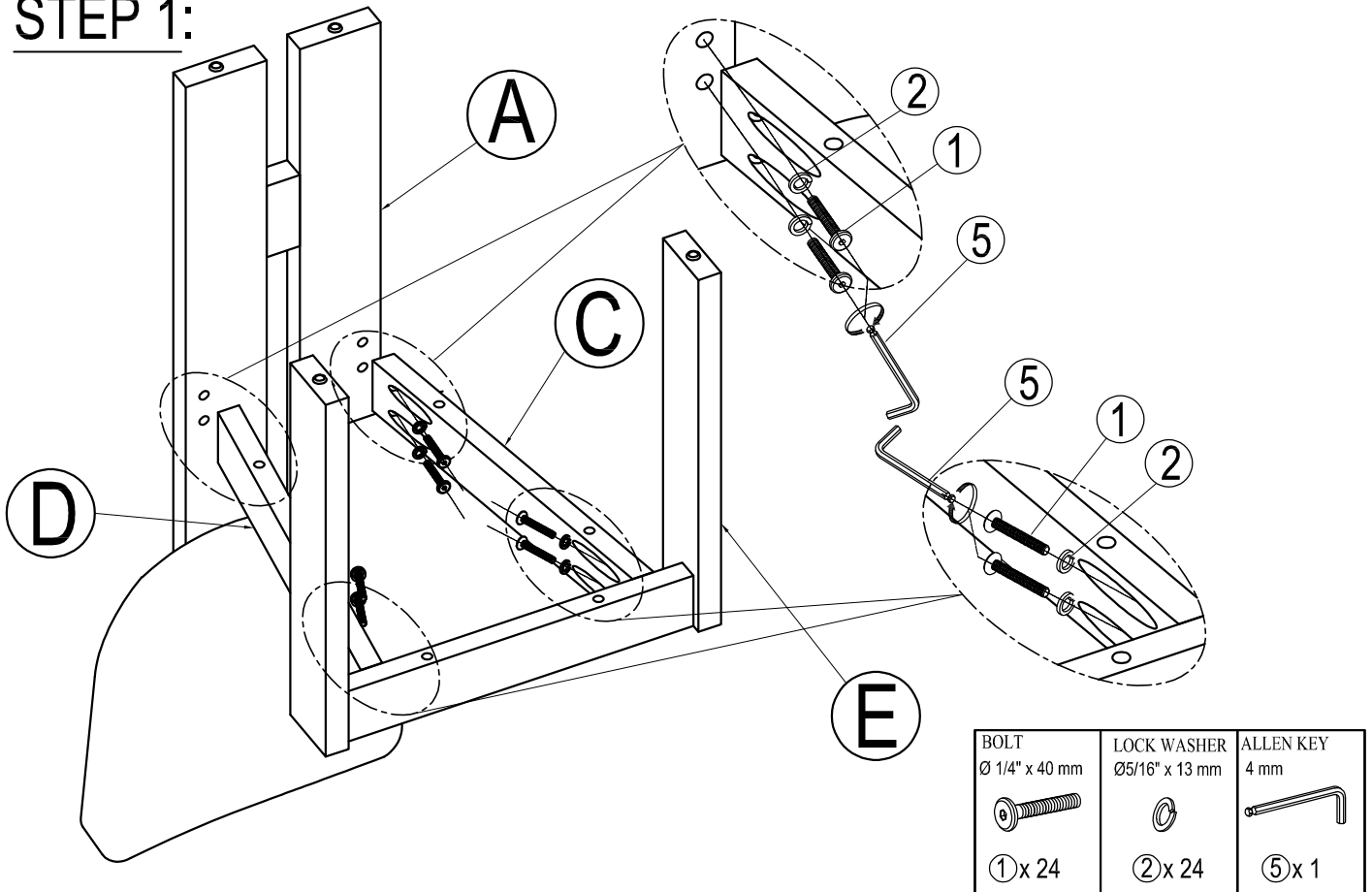
## Hardware List For 3 Chairs

<p>①</p>  <p>Ø 1/4" x 40mm</p>	<p>②</p>  <p>Ø5/16" x 13 mm</p>
<p>BOLT (24 pcs)</p>	<p>LOCK WASHER (24 pcs)</p>
<p>③</p>  <p>Ø4 x 38 mm</p>	<p>④</p>  <p>Ø10 x 30 mm</p>
<p>WOOD SCREWS (18 pcs)</p>	<p>WOOD DOWEL (9 pcs)</p>
<p>⑤</p>  <p>4 mm</p>	<p>⑥</p> <p>Tools Requires</p>  <p>NOT INCLUDED</p>
<p>ALLEN KEY (3pcs)</p>	<p>NOT INCLUDED</p>

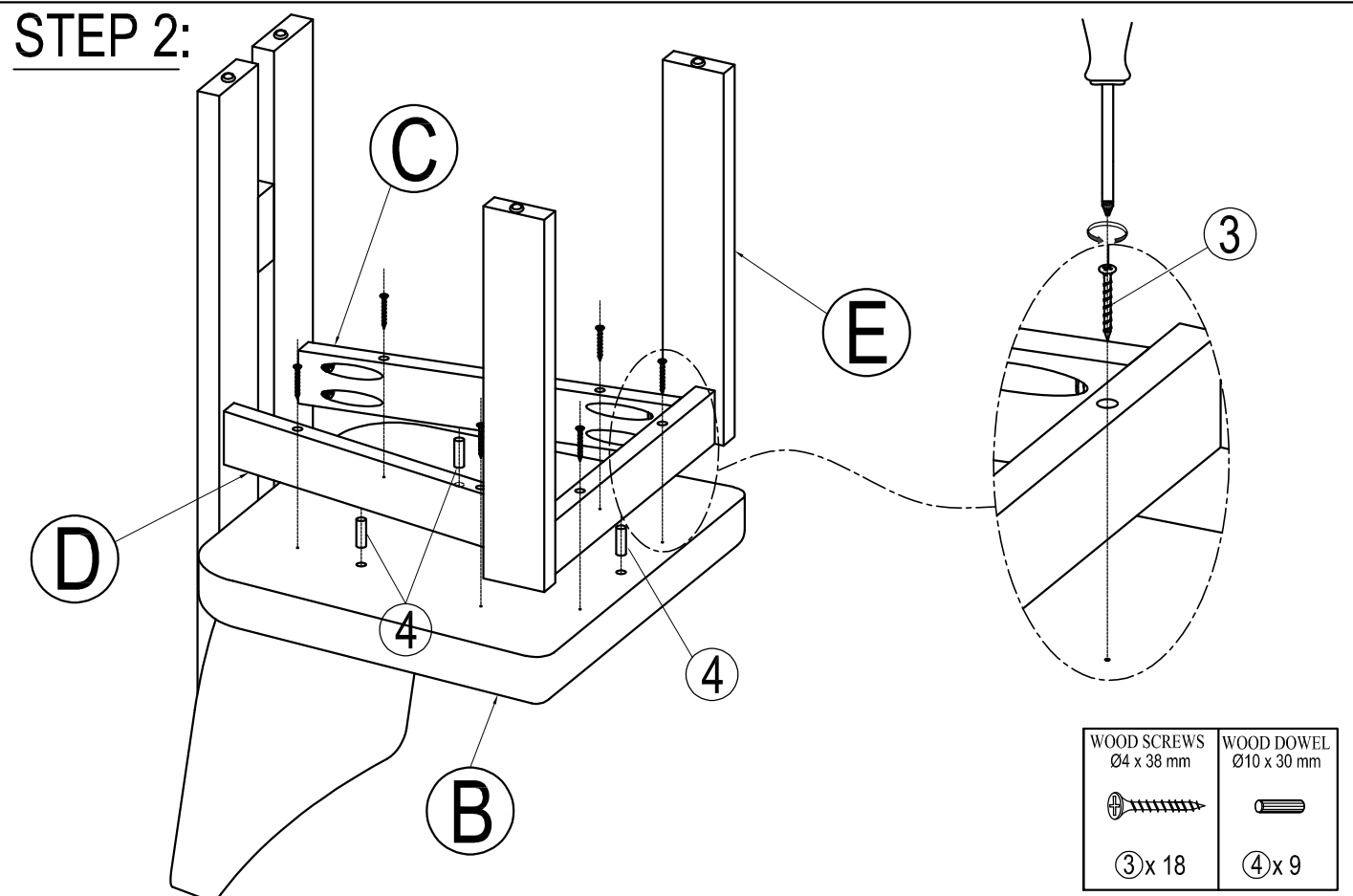
# ASSEMBLY INSTRUCTION

ITEM NO.N715P420038

## STEP 1:



## STEP 2:



# ASSEMBLY INSTRUCTION

ITEM NO.N715P420038

COMPLETE

