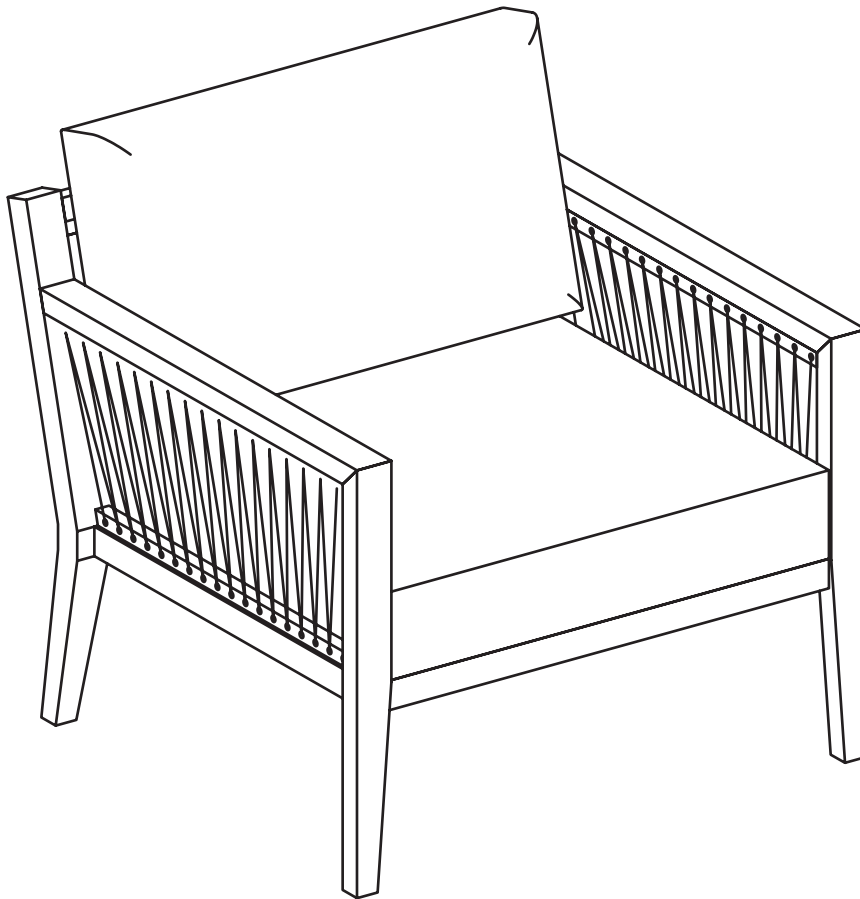


Let's build the

Outdoor Chair



Ok, let's get rolling

Estimated time for assembly



25:00

What you need

- Some of your favourite bubbly or your preferred relaxant
- Use the packaging carton as a working surface to prevent product damage during assembly

Do not use a drill



Weight Limitation

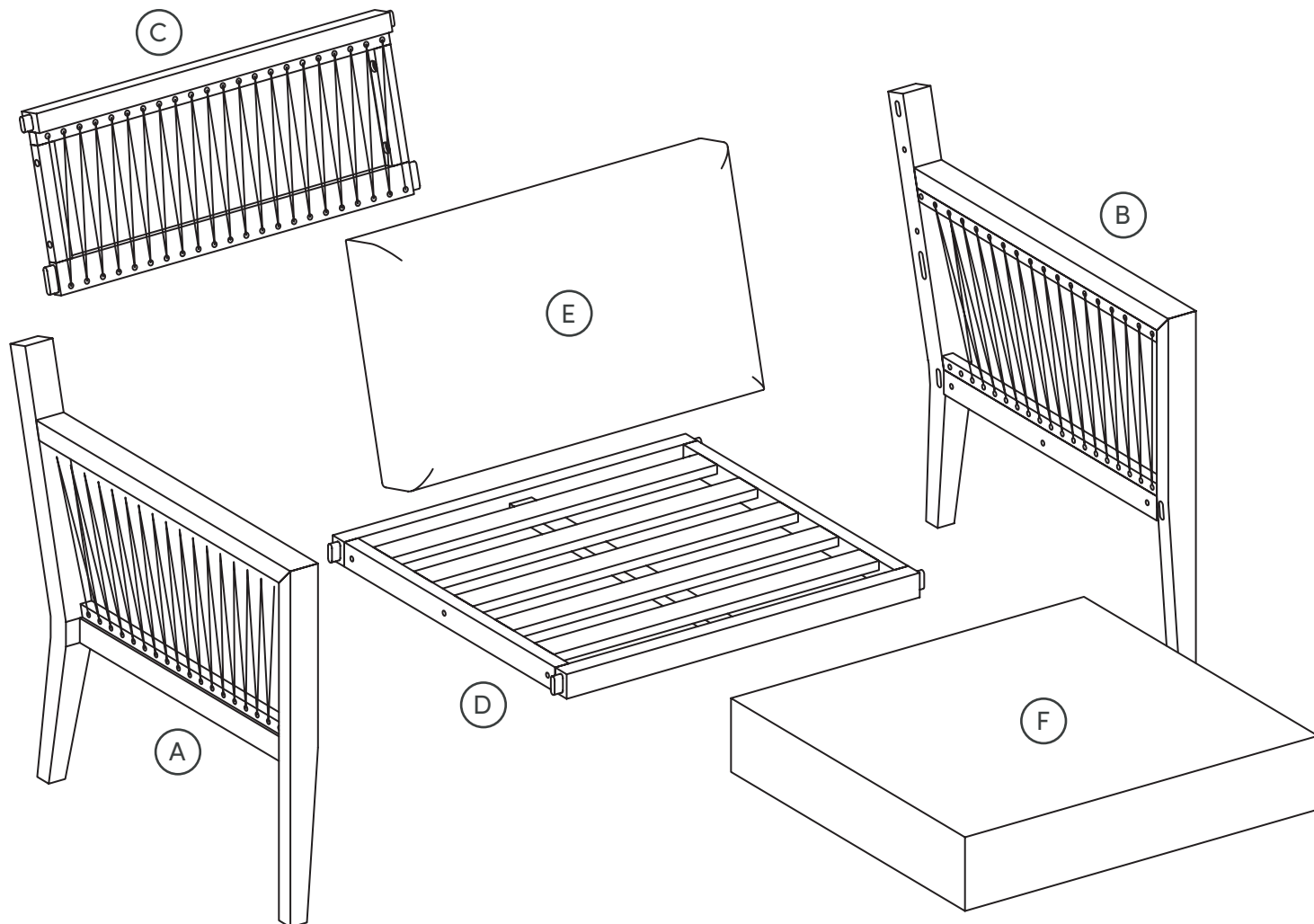


300
lbs

What's included

Description	Qty
A Side Frame Assembly (Left)	1
B Side Frame Assembly (Right)	1
C Back Frame	1
D Seat Frame	1
E Back Cushion	1
F Seat Cushion	1
1 Ø1/4"x1-9x16" Hex Button Head Bolt	10
2 Ø1/4" 1/2" Spring Washer	10
3 Ø1/4" x 1/2" Flat Washer	10
4 Allen Key	1
5 Plastic Nailhead Footpad (Extra)	4

The goods



1



2



3



4



5



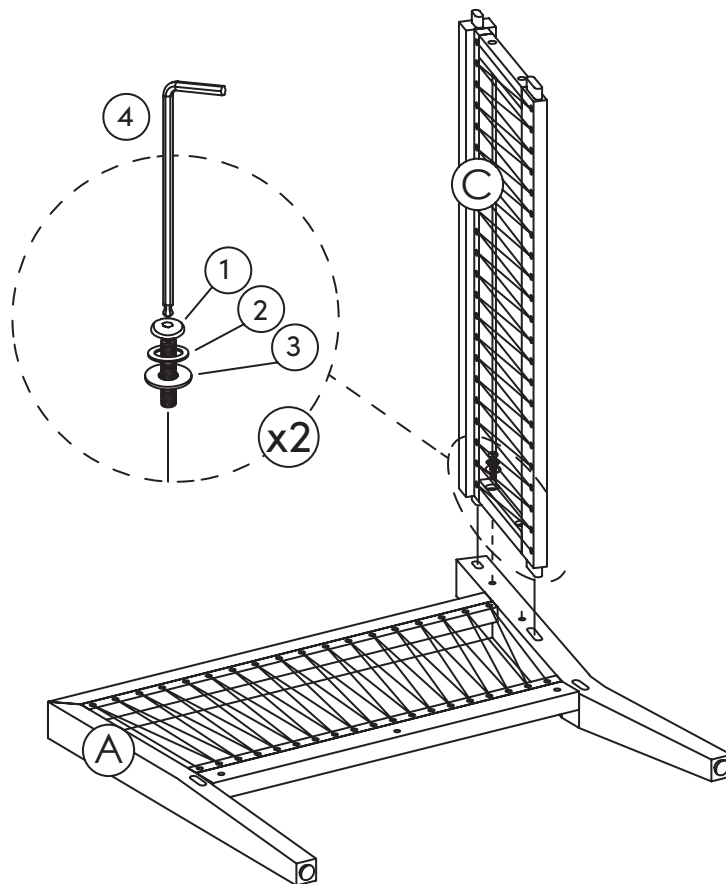
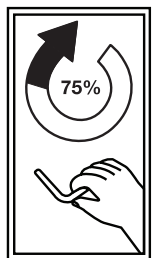
IMPORTANT

1. Do not tighten bolts / screws completely until all bolts / screws are lined up and inserted into holes.
2. Do not over tighten screws and bolts to avoid stripping.
3. Please use hand tools to assemble this product. Do not use power tools.

Step 1

It's as easy as it looks! Install the Back Frame (C) to the Side Frame (Left - A) with the $\text{\O}1/4'' \times 1-9/16''$ Hex Button Head Bolt (1), $\text{\O}1/4'' \times 1/2''$ Spring Washer (2) and $\text{\O}1/4'' \times 1/2''$ Flat Washer (3).

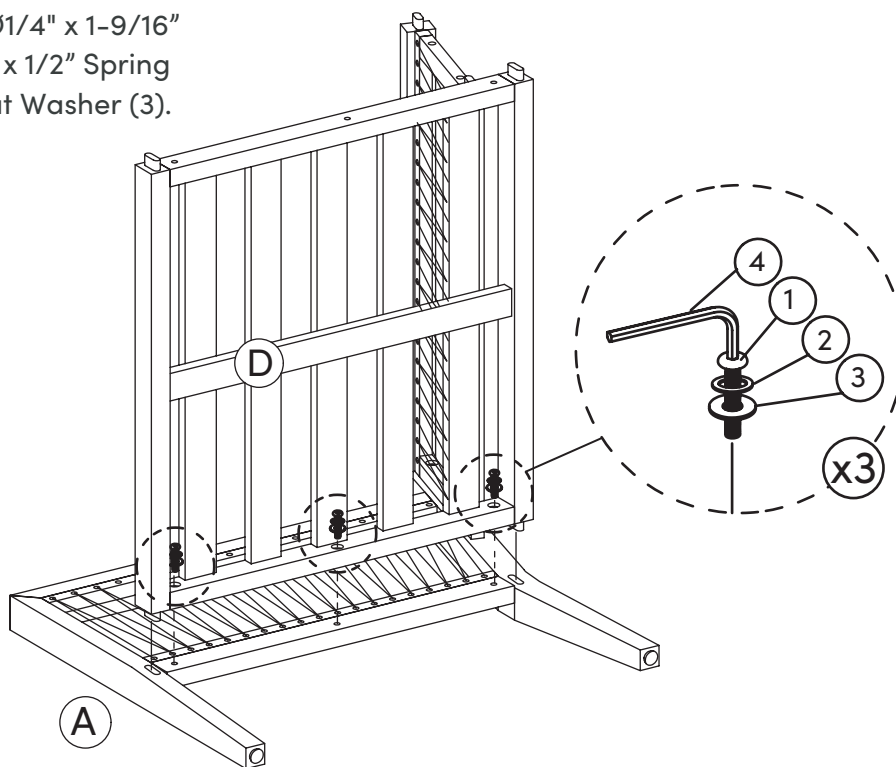
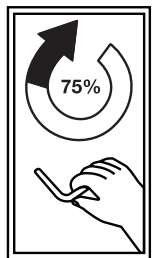
Tighten to 75%



Step 2

Install the Seat Frame (D) to the Side Frame (Left - A) with the $\text{\O}1/4'' \times 1-9/16''$ Hex Button Head Bolt (1), $\text{\O}1/4'' \times 1/2''$ Spring Washer (2) and $\text{\O}1/4'' \times 1/2''$ Flat Washer (3).

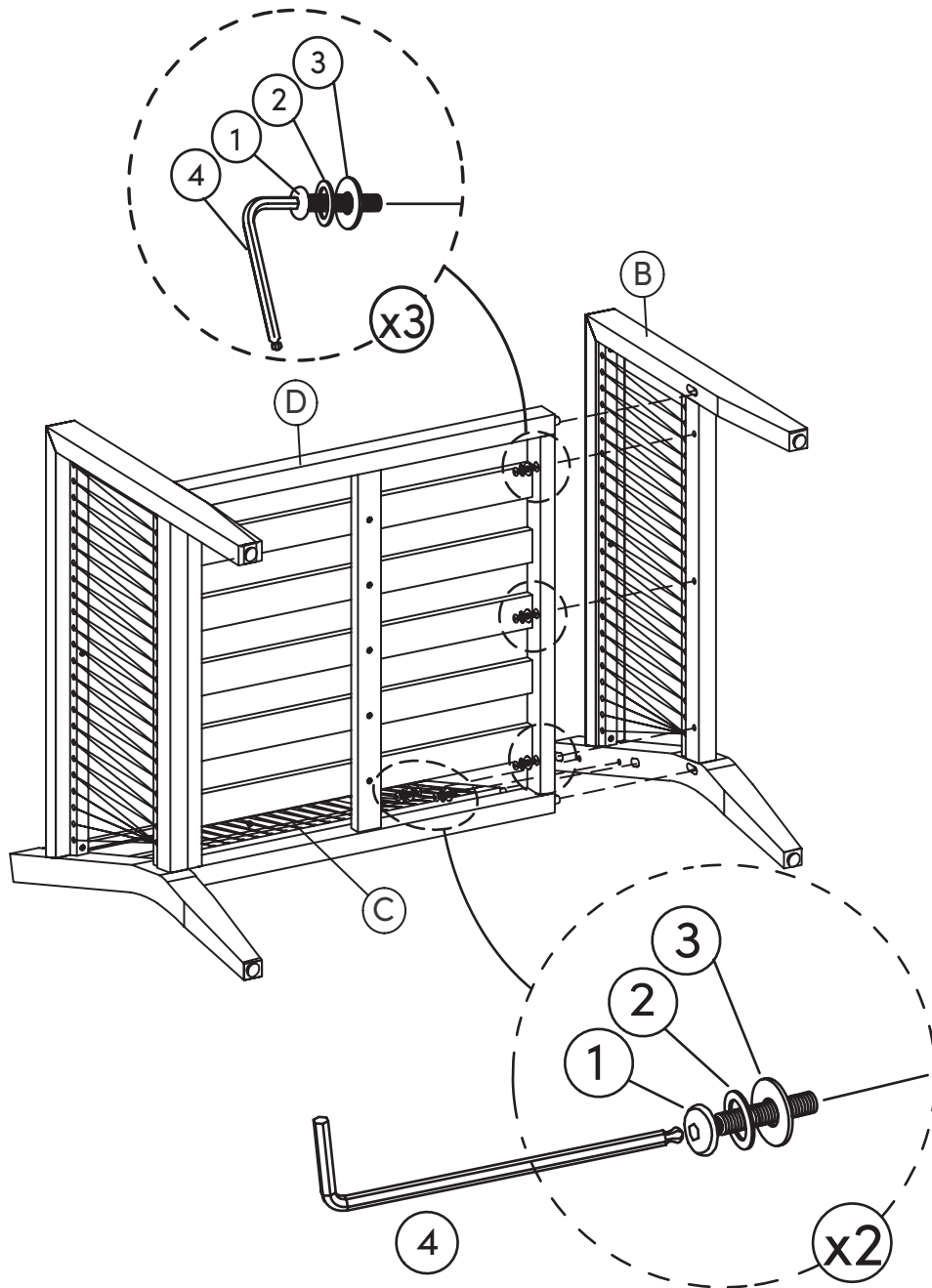
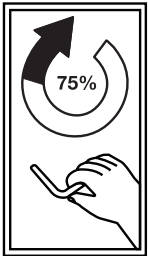
Tighten to 75%



Step 3

Install the Side Frame (Right -B)
to the Back Frame (C) & Seat Frame (D)
with the $\text{\O}1/4'' \times 1-9/16''$ Hex Button Head Bolt (1),
 $\text{\O}1/4'' \times 1/2''$ Spring Washer (2) and
 $\text{\O}1/4'' \times 1/2''$ Flat Washer (3).

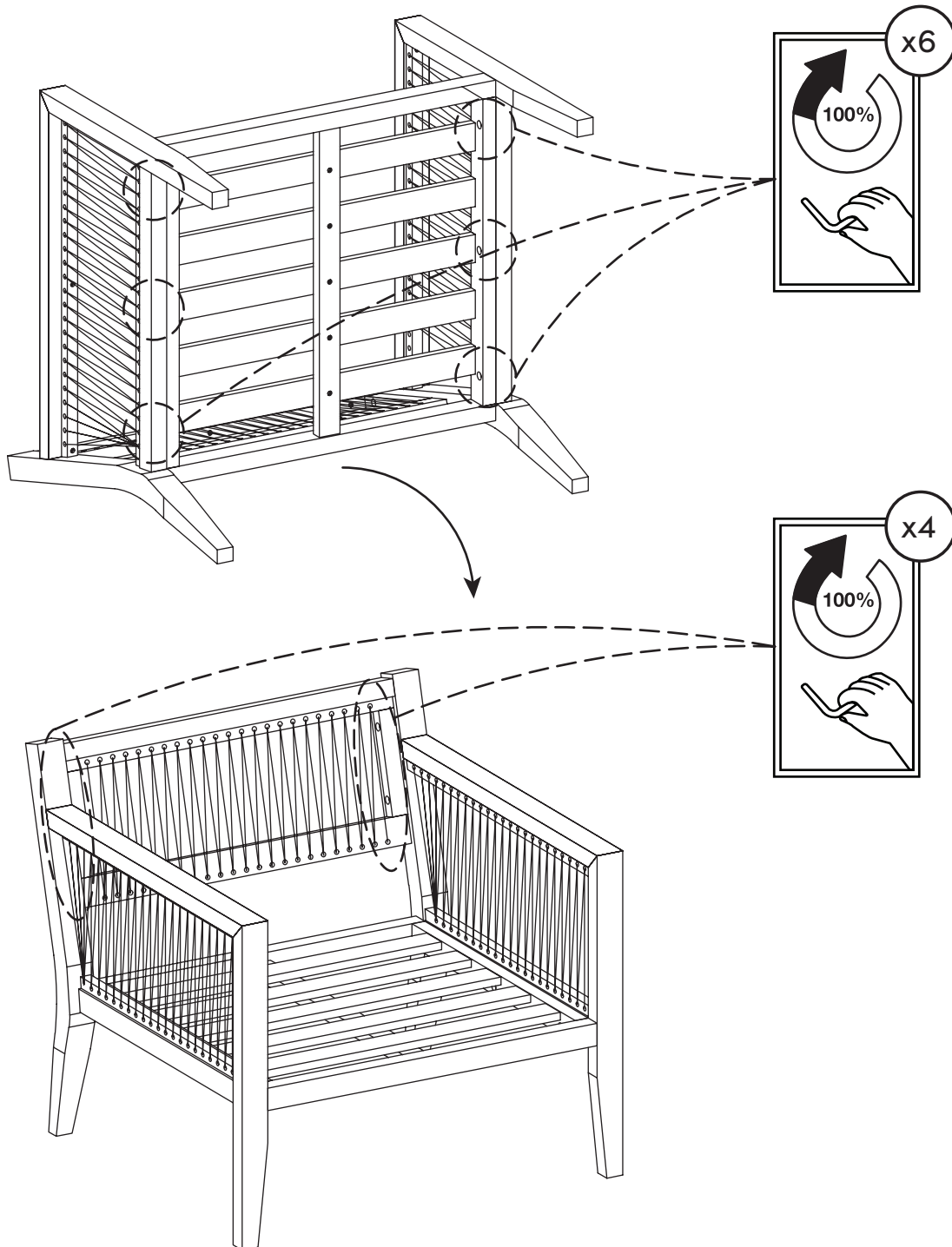
Tighten to 75%



Step 4

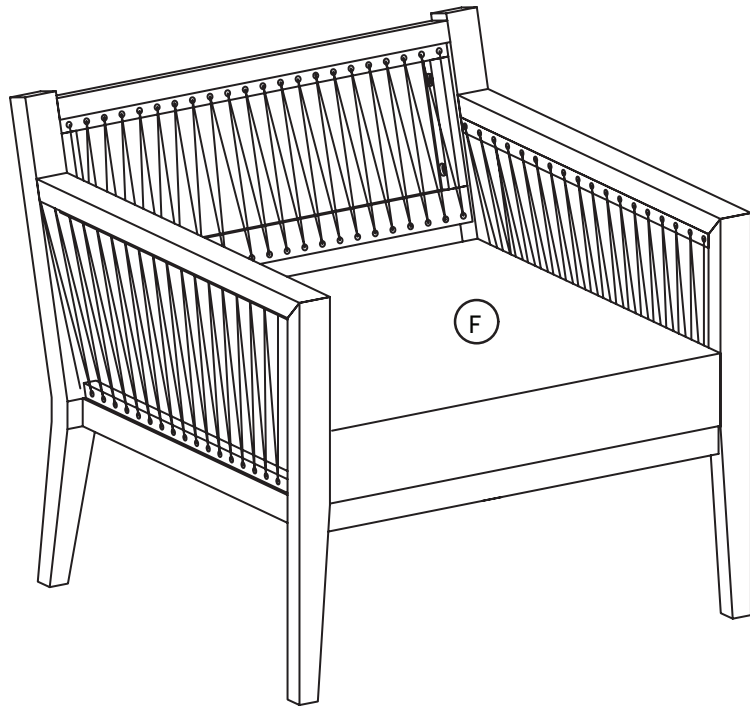
You're within minutes of sitting back, relaxing, and turning on your favorite show!

Tighten everything to 100%!



Step 5

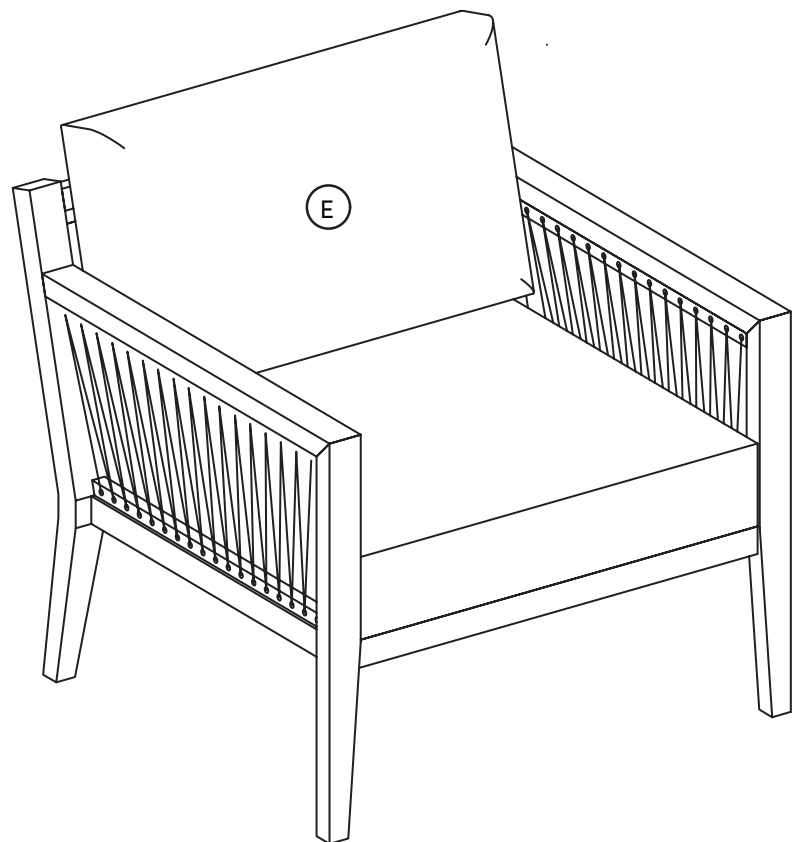
Almost done! Put down the
Seat Cushion (F) on the
Seat Frame (D)



Step 6

Slide in the Back Cushion
(E). Cue the party music!
You did it, have a seat!

The back cushion is vacuum-
packed, which may cause it to
appear flat and compressed
upon arrival. To restore its
shape, gently fluff the cushion
with your hands.



No heartburn, when we handle the return

Our way



Give us a call



Replacement



You

Their way



Re-package item



Schedule pick up



Track package



Replacement



You

We really don't want you to go through the hassle of re-packaging your item and sending it back, because let's be honest...nobody has time for that.

Safety first, fun later

We want your product to last as long as possible, so we recommend that you tighten the screws 2 weeks after assembly and for added safety check the tightness of all screws every 2 months.

Safe use of this product starts with you.

Use this product responsibly with the primary concern for your safety. Follow assembly instructions carefully and inspect product upon receipt and each use.

its parent companies cannot be held legally responsible for any injuries or death resulted from failure to follow instructions or improper use of this product.

Do not modify the structure of this product in any way.

Our products have been tested to meet specific safety measures as they were originally intended to be sold. Any modifications will present the risk of creating significant safety issues which will not be responsible for.

Proper use

- DO NOT** use for commercial purposes
- DO NOT** frolic on chair
- DO NOT** use chair as foot stool
- DO NOT** leave spilled liquid on seat
- DO NOT** use chair if damaged
- DO NOT** make temporary repairs

We are only in business if you're happy

For starters, thanks for being you.

We do our best to ensure your furniture arrives without any problems, but occasionally mistakes happen—as humans we are imperfect beings. In the event that a part is damaged or missing, we will be more than happy to provide you with replacement part(s) for free.

Warranty

This product comes with a lifetime warranty from the date of purchase.