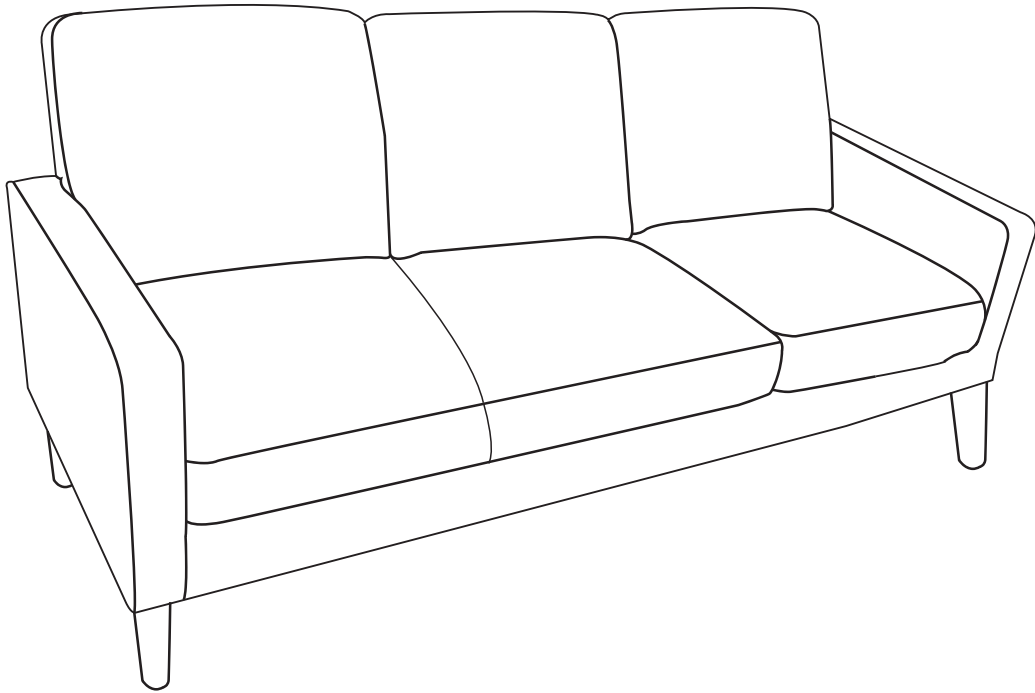


# Assembly Instruction



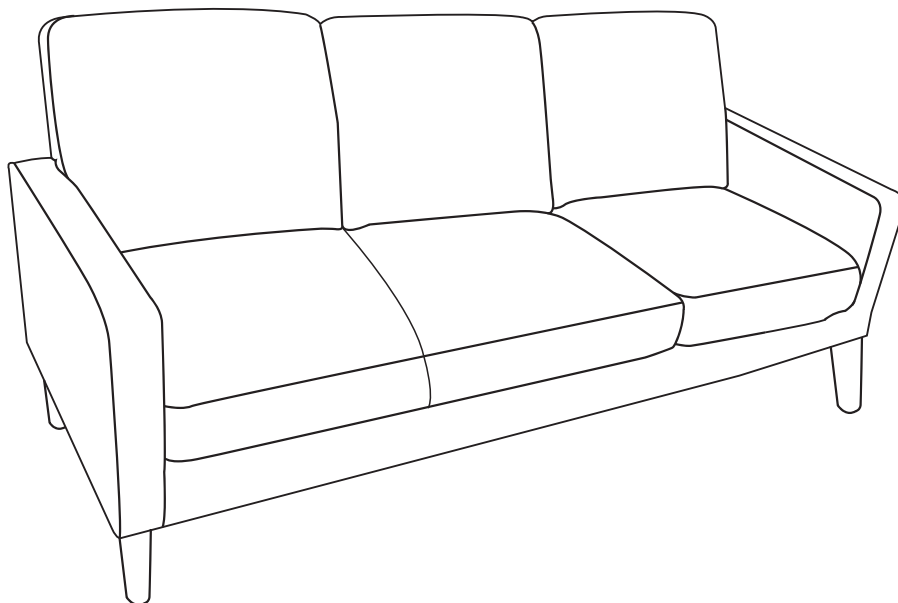
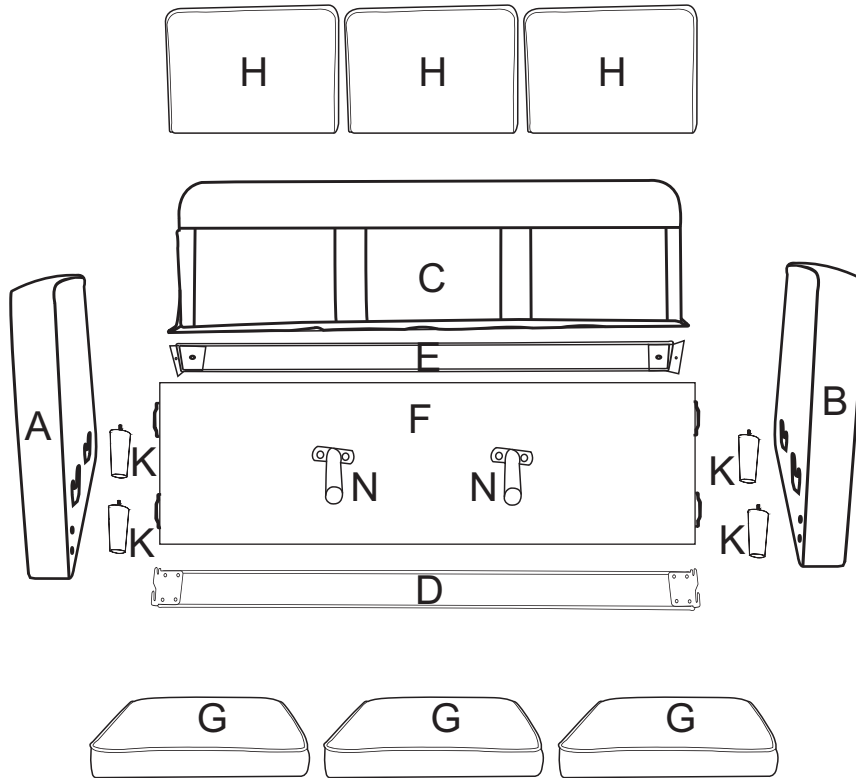
**Attention:** Do not open the compression bag if you are not satisfied with the product



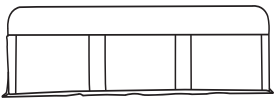





Thank you for your purchase.

If you have difficulty with assembly or find a part is missing or damaged, please don't hesitate to contact us for solution.

Customer Service team will work hard to put a smile back on your face.

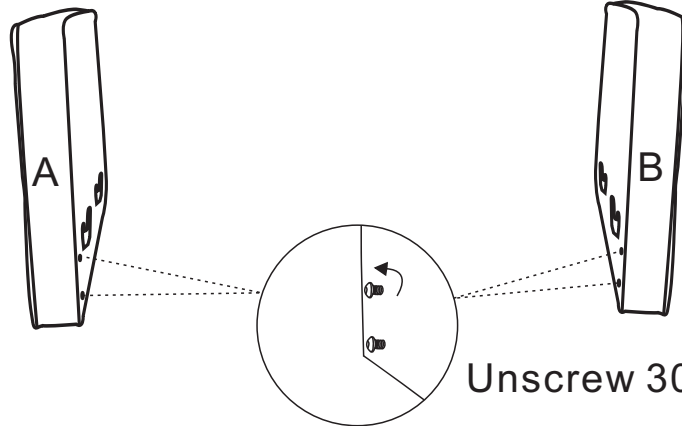
# Components



NO	PARTS	QTY	DESCRIPTION
A		1 PC	Left Arm-rest frame
B		1 PC	Right Arm-rest frame
C		1 PC	Back frame
D		1 PC	Sofa front baffle
E		1 PC	Sofa back baffle
F		1 PC	Sofa plate
G		3 PCS	Seat Cushion Cover
H		3 PCS	Back Cushion Cover

NO	PARTS	QTY	DESCRIPTION
I		4 PCS+1	M8*50mm Plum Flower Screw
J		2 PCS+1	M8*20mm Screw
K		4 PCS	Leg
L		4 PCS+1	Washer
M		1 PC	Allen Key
N		2 PCS	Middle Leg
O		4 PCS+1	M6*20mm Screw

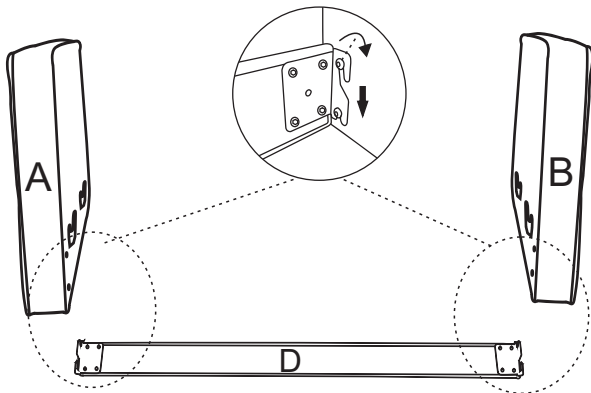
**STEP 1**



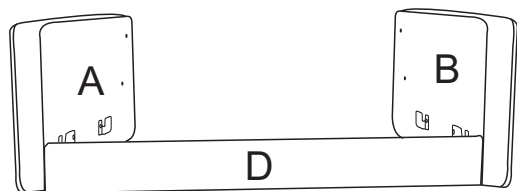
Unscrew 30% of the screw

**STEP 2**

Insert the link iron and tighten the screw



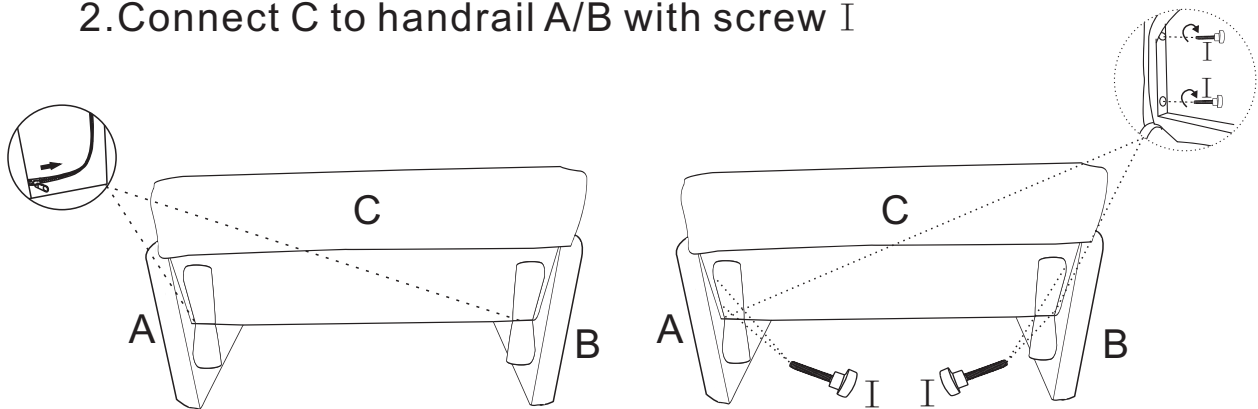
Before the installation



After installation

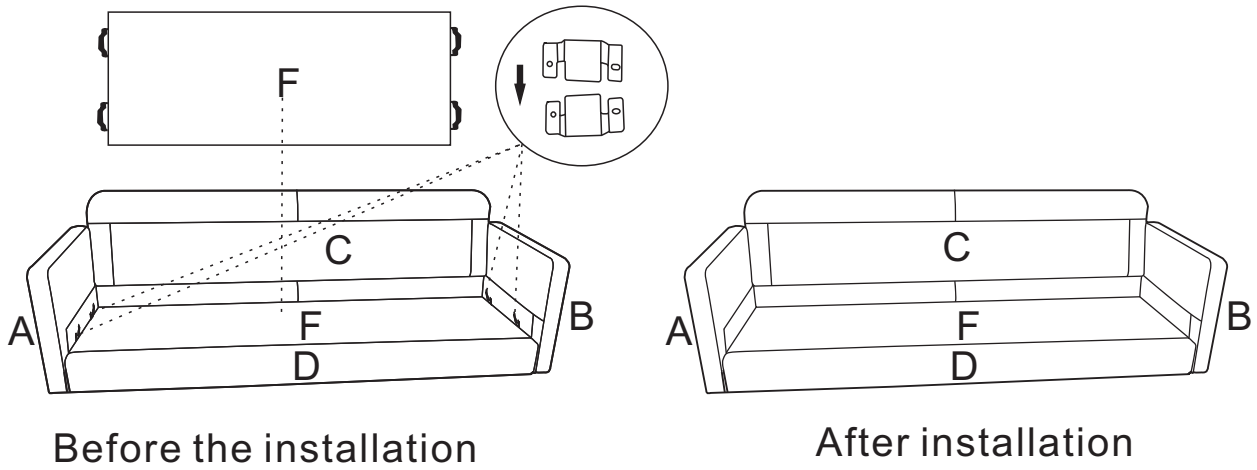
**STEP 3**

1. Open the back zipper first
2. Connect C to handrail A/B with screw I

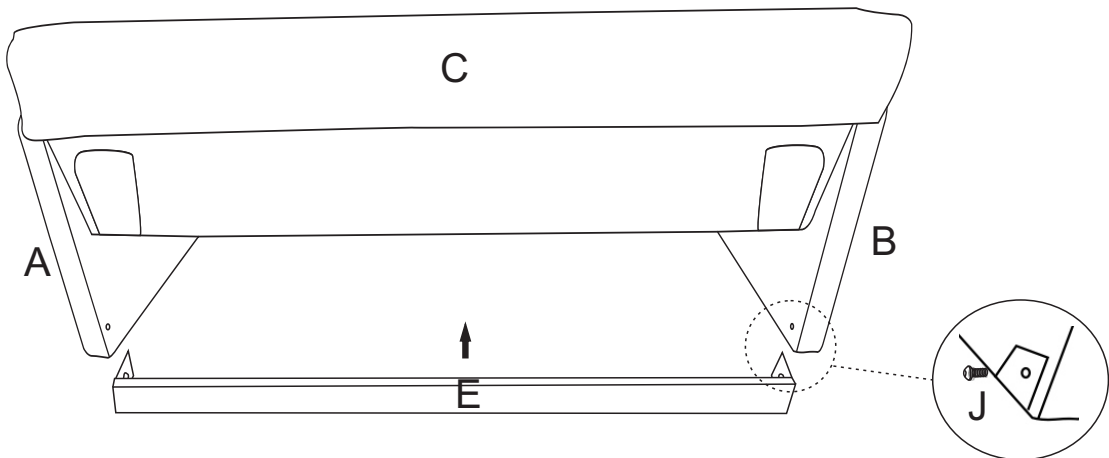


**STEP 4**

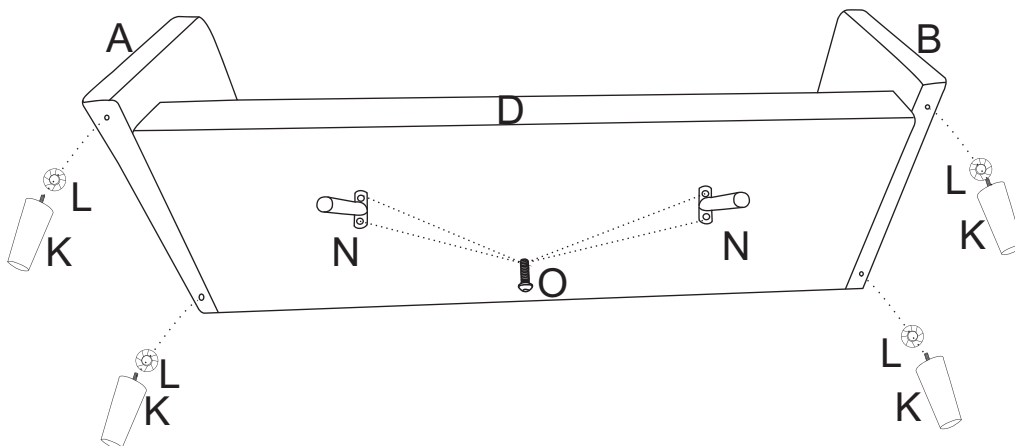
put in F, Link as shown

**STEP 5**

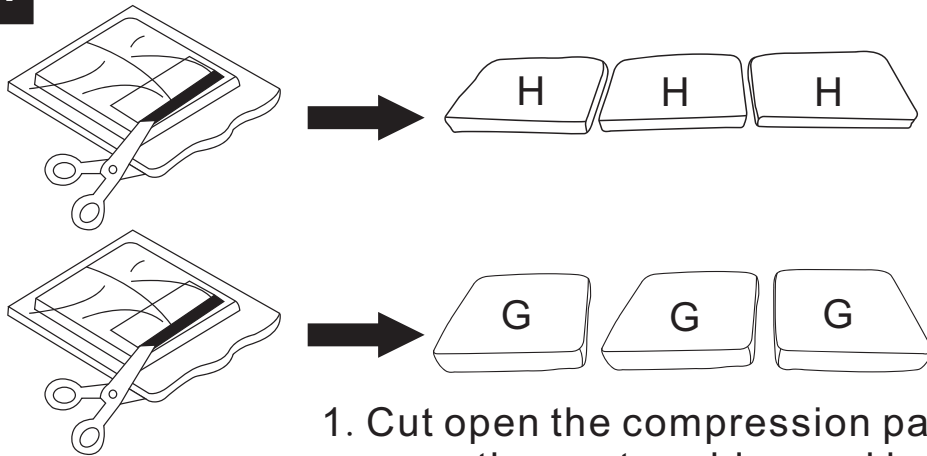
Secure the backplash and handrails with screw J

**STEP 6**

1. Connect Middle Leg N with screw O
2. Rotate Leg K through Washer L into handrail A/B



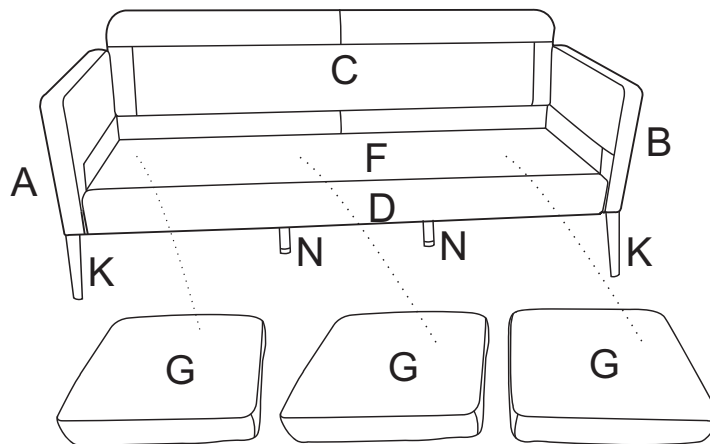
**STEP 7**



1. Cut open the compression package and remove the seat cushion and back cushion
2. Compression package after cutting, after standing for 24 hours, more comfortable

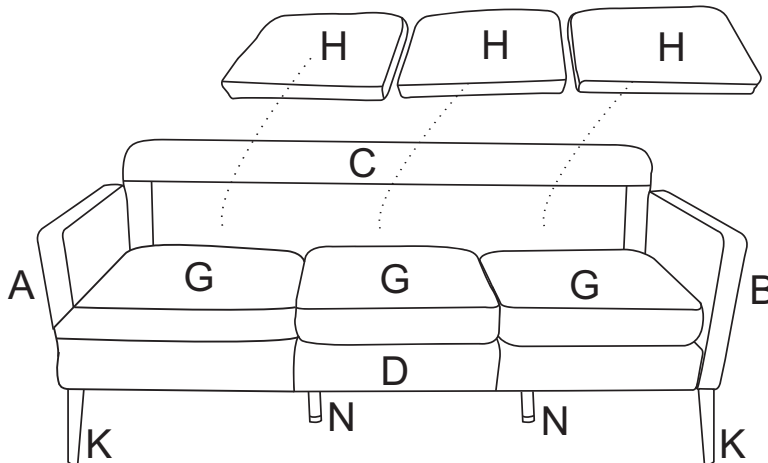
**STEP 8**

Have seta cushion G placed respectively



**STEP 9**

Have back cushion H placed respectively



**STEP 10**

Well done!

