

NOTICE

- * Please make sure that you have all parts indicated and they are in good condition before you begin assembly of this item. Refer to part list and hardware list below for guidance.
- * This item should be assembled on a soft surface to prevent scratching the finish during assembly.
- * This item may require periodic tightening.
- * If you are having difficulty, our friendly Customer Care team is always here to help.


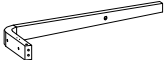

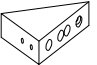

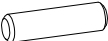
PREPARATION

- * Before beginning assembly of product, make sure all parts are present. Compare parts with part contents list and hardware contents list.
- * If any part is missing or damaged, do not attempt to assemble the product.
- * Estimated Assembly Time: 15 minutes.
- * Tools Required for Assembly: Allen key (included) and screw driver (not included).

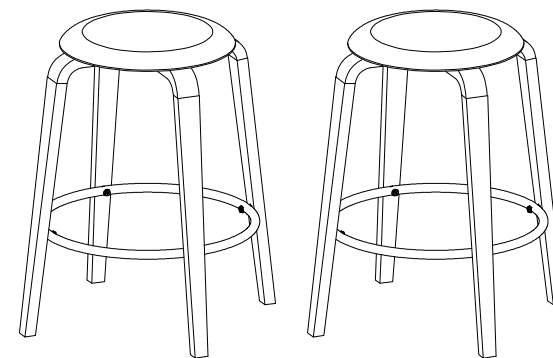
CARE AND MAINTENANCE

* Adhesive felt pads should always be applied to areas of furniture which make direct contact with flooring, said application will prevent damage to the furniture and or surfaces on which the furniture lies. Objects placed on articles of furniture should rest on non abrasive material as to prevent damage to the wood finish. Objects whose composition consists of plastic and rubber are known to discolor and damage the wood surfaces on which they rest. Wipe up spills immediately and avoid common hazards such as hot dishes, harsh solvents and abrasives. Cleaning should be done with a soft lint free cotton cloth dampened with water or furniture polish. On highly used surfaces we recommend applying a quality paste wax which should be used on a regular basis to provide additional protection from scratches and spills. How often you apply the wax depends on how much wear the furniture receives.

Part List and Hardware List

PIECE	DESCRIPTION	PICTURE	QUANTITY
A	Seat		2X
B	Legs		4X
C	Legs		4X
D	Corner block		8X
HW1	Iron Brackets		2X
HW2	Wooden Dowel Ø8x30mm		12X

Product Dimensions: 23.2" W x 23.2" D x 25.6"H

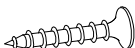







! WARNING !

Weight capacity: 275 LBS

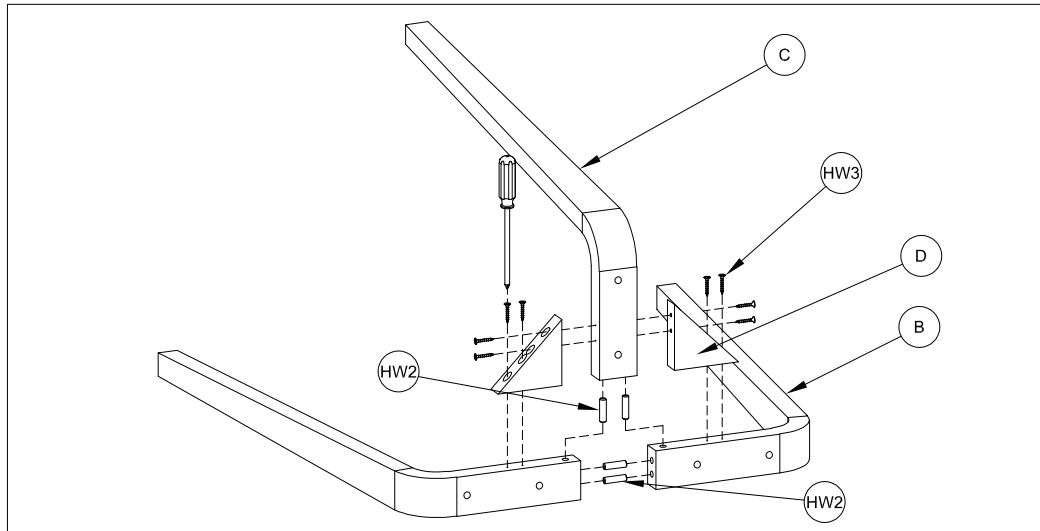
Warning: Do not stand on Chair

Warning: Do not over torque Bolts

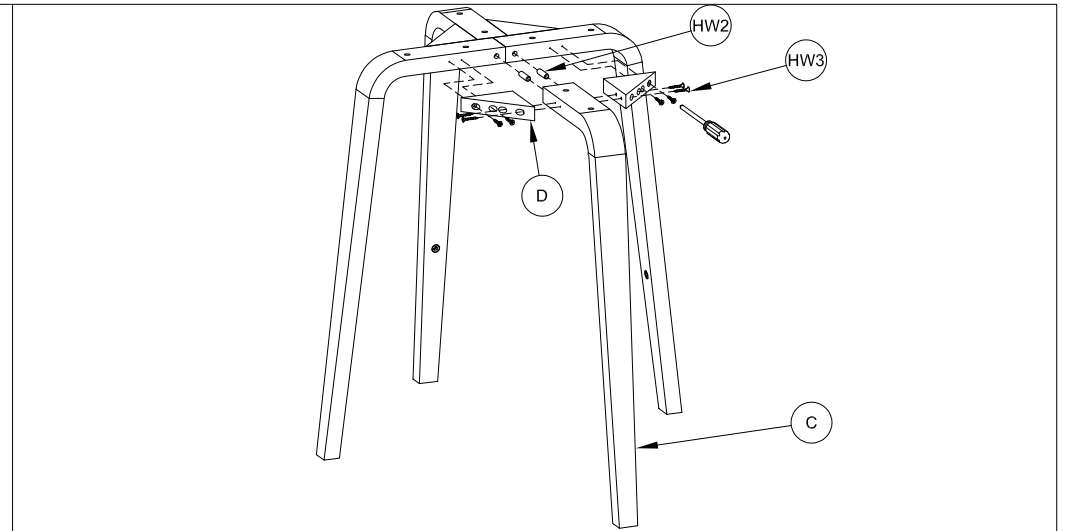
HW3	Screw 4x25mmmm		32X
HW4	Socket Bolts M6x1x30mm		16X
HW5	Socket Bolts M6x1x40mm		8X
HW6	Split Lock Washer 6mm		8X
HW7	Flat Washer 6mm		8X
HW8	Allen Key		1X

PREPARATION

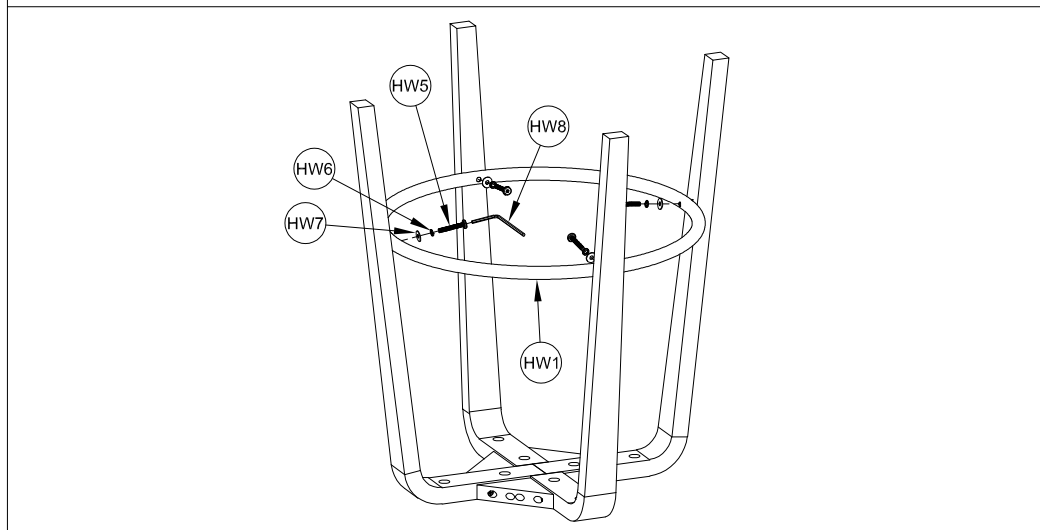
- * Before beginning assembly of product, make sure all parts are present. Compare parts with part contents list and hardware contents list.
- * If any part is missing or damaged, do not attempt to assemble the product.
- * Estimated Assembly Time: 15 minutes.
- * Tools Required for Assembly: Allen key (included) and screw driver (not included).
- * If you are having difficulty, our friendly Customer Care team is always here to help.



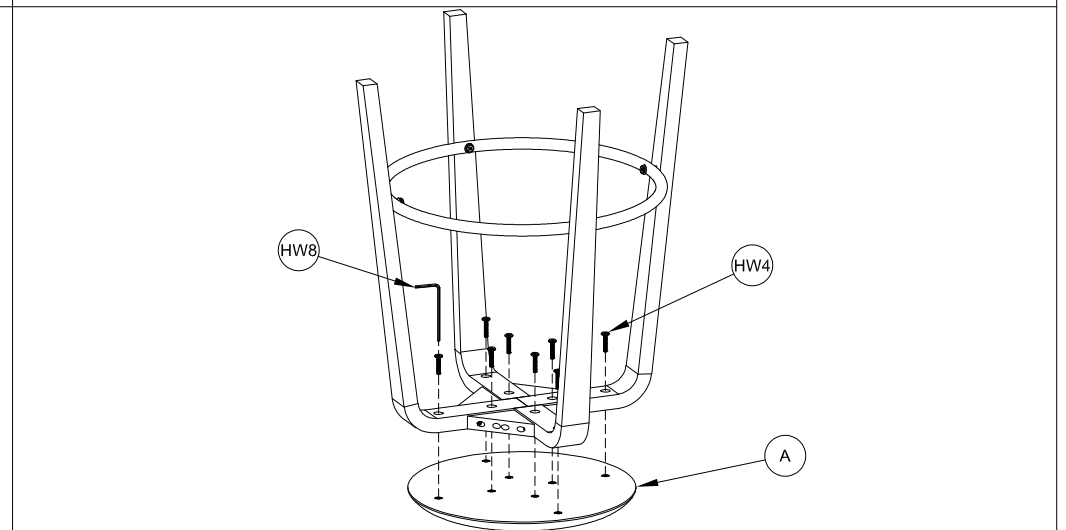
STEP 1: Attach the corner block to the legs.



STEP 2: Attach the corner block to the legs.



STEP 3: Attach the iron brackets to the legs.



STEP 4: Attach the legs to the seat. Make sure to apply all the bolts into the holes properly before tightening.