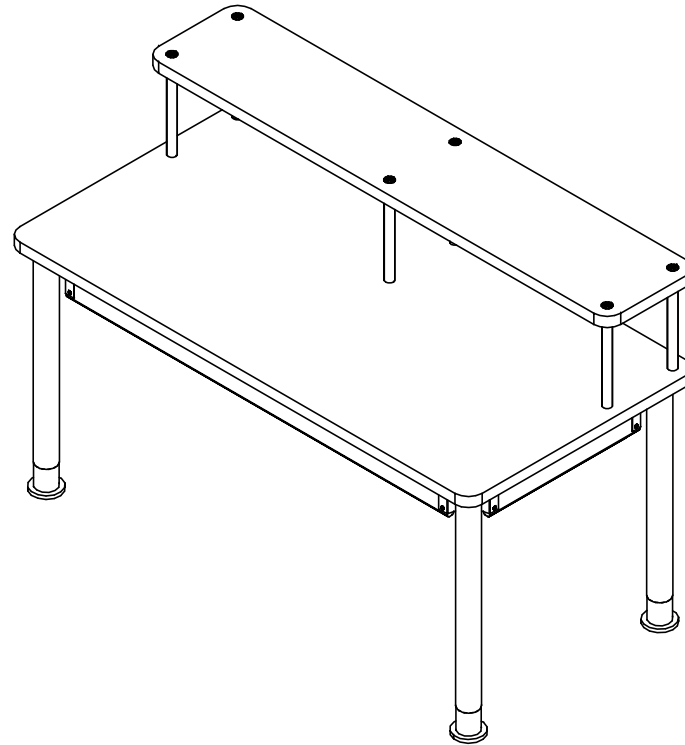


ADJUSTABLE HEIGHT RISER TABLE

PR8 SERIES TABLES (OAK OR MAPLE)
ASSEMBLY INSTRUCTIONS



NOTE:

1. MODEL VIEWS MAY NOT REPRESENT EXACT MODEL PURCHASED

| | | | |
|---------|-----|-----------|--------|
| DWN BY: | EMK | DWN DATE: | 3/3/14 |
| APR BY: | | DATE APR: | |
| APR BY: | | DATE APR: | |

UNLESS OTHERWISE SPECIFIED
DIMENSION ARE IN INCHES
CABINET SQUARENESS ± .0625
FRACTIONAL VALUES ± 1/32"
- ALL VALUES ± OVERALL -



300 South Krueger Street
Suring, WI 54174
diversifiedwoodcrafts.com

TITLE:
ADJUSTABLE HEIGHT RISER TABLE
ASSEMBLY INSTRUCTIONS

| REV. | DESCRIPTION | DATE | NAME | ECN NO. |
|------|-------------------------------|--------|------|---------|
| A | CREATED ASSEMBLY INSTRUCTIONS | 3/3/14 | EMK | - |
| | | | | |

REVISION LEVEL

THIS DRAWING IS THE SOLE PROPERTY OF
DIVERSIFIED WOOD CRAFTS. IT MAY NOT
BE ALTERED OR CHANGED WITHOUT
PERMISSION

| | | | |
|-------------------|--------|--------|-----------|
| DRAWING NUMBER: | SCALE: | SHEET: | REVISION: |
| PR8 SERIES TABLES | NTS | 1 OF 6 | REV A |

TOOLS REQUIRED

#3 PHILLIPS SCREW DRIVER

#3 SQUARE HEAD - OPTIONAL

ASSEMBLY COMPONENTS

| ITEMS INCLUDED | PART # | PART DESCRIPTION | QTY |
|--------------------------|--------|---|-----|
| TOPS, APRONS, RISER LEGS | N/A | TOP ASSEMBLY (FACTORY ASSEMBLED) | 1 |
| LEGS | 100677 | KOYO ADJ. LEG SET,SILVER | 4 |
| LEG SPACER | 100678 | KOYO ADJ. LEG SPACER | 4 |
| LEG LEVELER | 100679 | KOYO ADJ. LEG LEVELER,90MM | 4 |
| SCREWS - LEGS | 100369 | SCREW,#12.00X $\frac{7}{8}$ " PHIL PAN HEAD SMS | 24 |

NOTE:

1. TOPS ARE EITHER PLAM, CHEMGUARD, OR PHENOLIC.

| | | | |
|---------|-----|-----------|--------|
| DWN BY: | EMK | DWN DATE: | 3/3/14 |
| APR BY: | | DATE APR: | |
| APR BY: | | DATE APR: | |

UNLESS OTHERWISE SPECIFIED
DIMENSION ARE IN INCHES
CABINET SQUARENESS ± .0625
FRACTIONAL VALUES ± 1/32"
- ALL VALUES ± OVERALL -



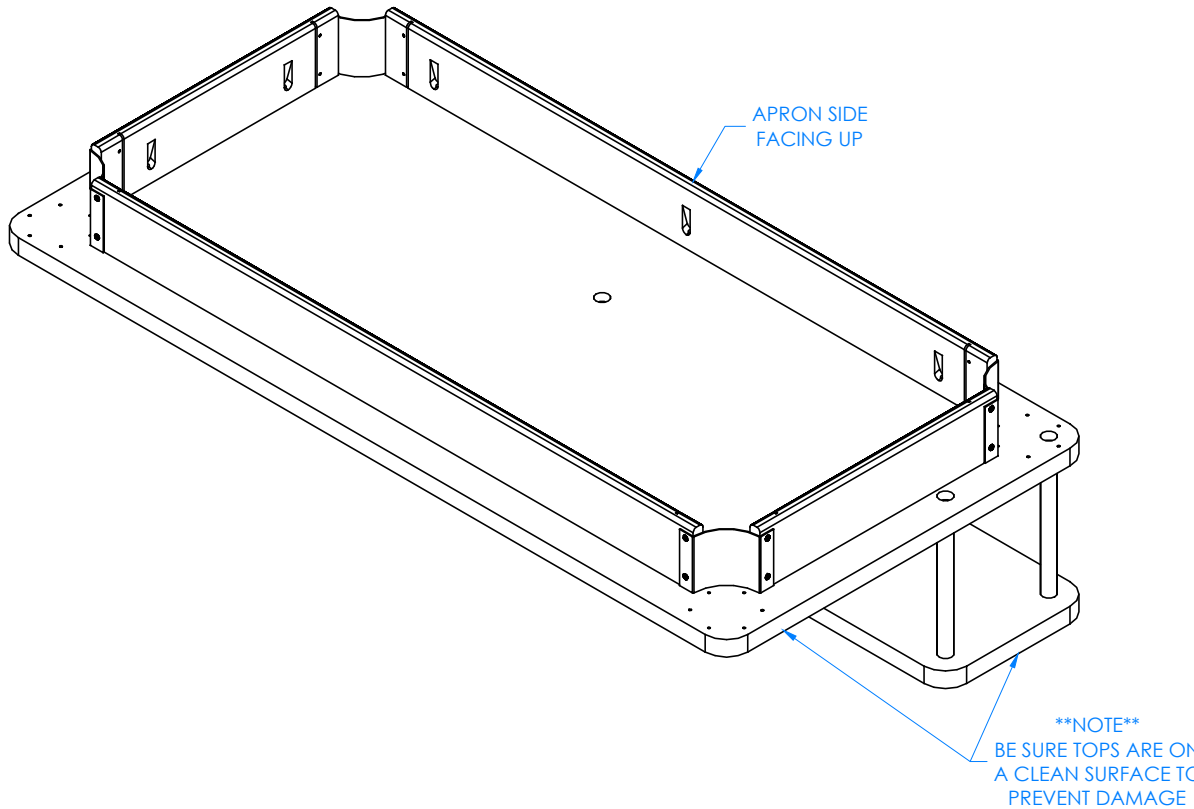
300 South Krueger Street
Suring, WI 54174
diversifiedwoodcrafts.com

TITLE:
ADJUSTABLE HEIGHT RISER TABLE
TOOLS AND ASSEMBLY COMPONENTS

| REV. | DESCRIPTION | DATE | NAME | ECH NO. |
|------|-------------------------------|--------|------|---------|
| A | CREATED ASSEMBLY INSTRUCTIONS | 3/3/14 | EMK | - |
| | | | | |

THIS DRAWING IS THE SOLE PROPERTY OF
DIVERSIFIED WOOD CRAFTS. IT MAY NOT
BE ALTERED OR CHANGED WITHOUT
PERMISSION

| | | | |
|-------------------|--------|--------|-----------|
| DRAWING NUMBER: | SCALE: | SHEET: | REVISION: |
| PR8 SERIES TABLES | NTS | 2 OF 6 | REV A |



STEP 1:

- INSPECT ALL COMPONENTS FOR SHIPPING DAMAGE.
- LAY TABLE ON FLOOR WITH APRON SIDE FACING UP.
- YOU MAY WANT TO HAVE TWO OR THREE PEOPLE TO HELP YOU WITH THIS STEP, AS TOP ASSEMBLY MAY BE HEAVY.

NOTE:

1.

| | | | |
|---------|-----|-----------|--------|
| DWN BY: | EMK | DWN DATE: | 3/3/14 |
| APR BY: | | DATE APR: | |
| APR BY: | | DATE APR: | |



300 South Krueger Street
Suring, WI 54174
diversifiedwoodcrafts.com

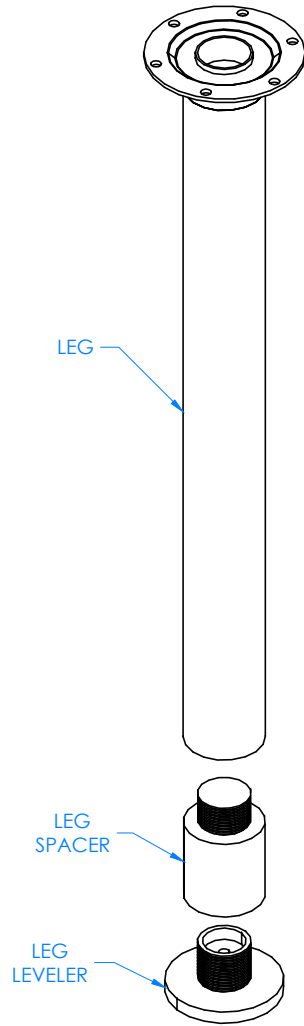
UNLESS OTHERWISE SPECIFIED
DIMENSION ARE IN INCHES
CABINET SQUARENESS ± .0625
FRACTIONAL VALUES ± 1/32"
- ALL VALUES ± OVERALL -

TITLE:
ADJUSTABLE HEIGHT RISER TABLE
ASSEMBLY INSTRUCTIONS

| REV. | DESCRIPTION | DATE | NAME | ECN NO. |
|----------------|-------------------------------|--------|------|---------|
| A | CREATED ASSEMBLY INSTRUCTIONS | 3/3/14 | EMK | - |
| REVISION LEVEL | | | | |

THIS DRAWING IS THE SOLE PROPERTY OF
DIVERSIFIED WOOD CRAFTS. IT MAY NOT
BE ALTERED OR CHANGED WITHOUT
PERMISSION

| | | | |
|-------------------|--------|--------|-----------|
| DRAWING NUMBER: | SCALE: | SHEET: | REVISION: |
| PR8 SERIES TABLES | NTS | 3 OF 6 | REV A |



NOTE:

1.

STEP 2:

- SCREW LEG SPACERS INTO BOTTOM OF THE ADJUSTABLE LEG.
- SCREW LEG LEVELERS INTO BOTTOM OF LEG SPACERS.

| | | | |
|---------|-----|-----------|--------|
| DWN BY: | EMK | DWN DATE: | 3/3/14 |
| APR BY: | | DATE APR: | |
| APR BY: | | DATE APR: | |

UNLESS OTHERWISE SPECIFIED
DIMENSION ARE IN INCHES
CABINET SQUARENESS ± .0625
FRACTIONAL VALUES ± 1/32"
- ALL VALUES ± OVERALL -



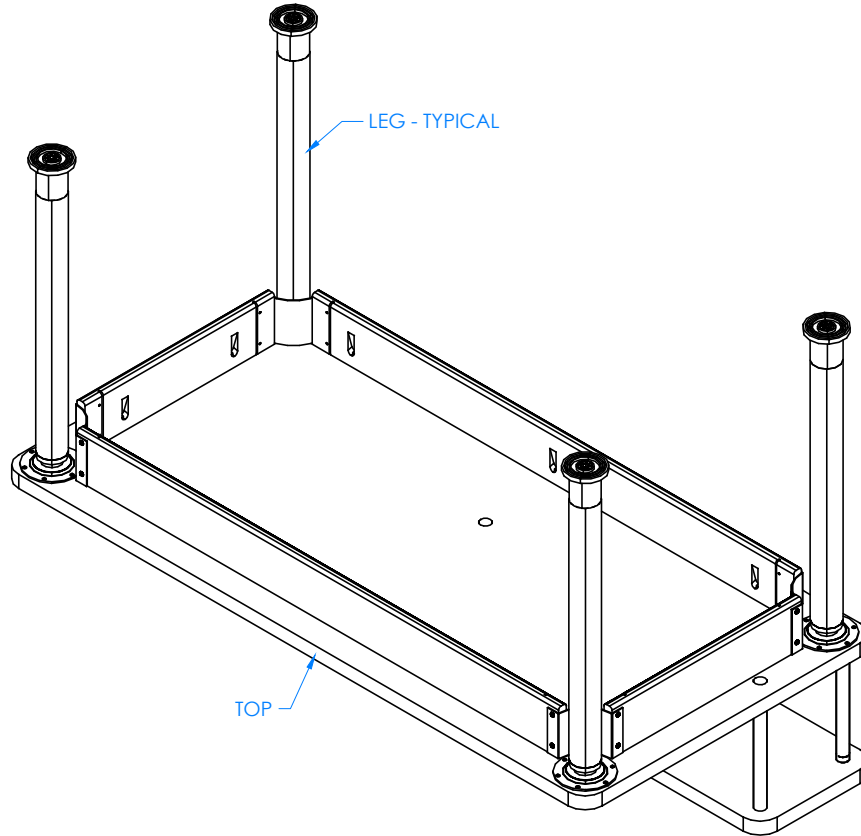
300 South Krueger Street
Suring, WI 54174
diversifiedwoodcrafts.com

TITLE:
**ADJUSTABLE HEIGHT RISER TABLE
ASSEMBLY INSTRUCTIONS**

| REV. | DESCRIPTION | DATE | NAME | ECN NO. |
|----------------|-------------------------------|--------|------|---------|
| A | CREATED ASSEMBLY INSTRUCTIONS | 3/3/14 | EMK | - |
| REVISION LEVEL | | | | |

THIS DRAWING IS THE SOLE PROPERTY OF
DIVERSIFIED WOOD CRAFTS. IT MAY NOT
BE ALTERED OR CHANGED WITHOUT
PERMISSION

| | | | |
|--------------------------|--------|--------|-----------|
| DRAWING NUMBER: | SCALE: | SHEET: | REVISION: |
| PR8 SERIES TABLES | NTS | 4 OF 6 | REV A |



STEP 3:

- SCREW LEGS TO BOTTOM OF TOP THROUGH PREDRILLED HOLES WITH HARDWARE PROVIDED.
- MAKE SURE EACH LEG IS SCREWED ON TIGHT USING A MAXIMUM OF 45 IN - LBS OF TORQUE.

NOTE:

1.

| | | | |
|---------|-----|-----------|--------|
| DWN BY: | EMK | DWN DATE: | 3/3/14 |
| APR BY: | | DATE APR: | |
| APR BY: | | DATE APR: | |



300 South Krueger Street
Suring, WI 54174
diversifiedwoodcrafts.com

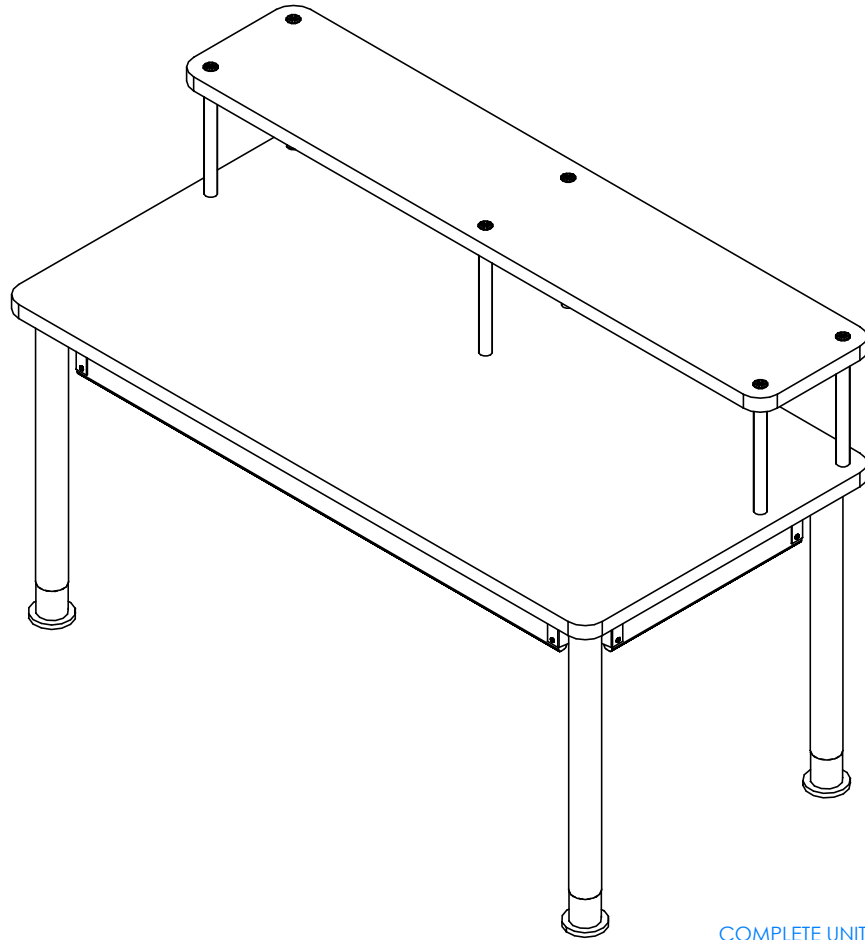
UNLESS OTHERWISE SPECIFIED
DIMENSION ARE IN INCHES
CABINET SQUARENESS ± .0625
FRACTIONAL VALUES ± 1/32"
- ALL VALUES ± OVERALL -

TITLE:
ADJUSTABLE HEIGHT RISER TABLE
ASSEMBLY INSTRUCTIONS

| REV. | DESCRIPTION | DATE | NAME | ECH NO. |
|----------------|-------------------------------|--------|------|---------|
| A | CREATED ASSEMBLY INSTRUCTIONS | 3/3/14 | EMK | - |
| REVISION LEVEL | | | | |

THIS DRAWING IS THE SOLE PROPERTY OF
DIVERSIFIED WOOD CRAFTS. IT MAY NOT
BE ALTERED OR CHANGED WITHOUT
PERMISSION

| | | | |
|-------------------|--------|--------|-----------|
| DRAWING NUMBER: | SCALE: | SHEET: | REVISION: |
| PR8 SERIES TABLES | NTS | 5 OF 6 | REV A |



COMPLETE UNIT SHOWN

STEP 4:

- TURN TABLE OVER SO TOP IS UP.
- SET TABLE IN PLACE.
- ADJUST LEGS TO DESIRED HEIGHT.
- SEE NOTE ON HOW TO ADJUST HEIGHT OF TABLE.
- WHEN MOVING TABLE, CARRY IT. DO NOT DRAG OR PUSH THE TABLE ACROSS THE FLOOR ON LEG LEVELERS.

NOTE:

1. TO INCREASE THE HEIGHT OF THE TABLE, PUT TABLE ON SIDE OR BACK AND SIMPLY PULL ON THE BOTTOM OF EACH LEG.
2. TO DECREASE THE HEIGHT OF THE TABLE, PUT TABLE ON SIDE OR BACK AND MOVE THE ADJUSTABLE LEG TO THE HIGHEST SETTING. IT WILL START TO RELEASE. PUSH THE LEG BACK TO A LOWER SETTING.

| | | | |
|---------|-----|-----------|--------|
| DWN BY: | EMK | DWN DATE: | 3/3/14 |
| APR BY: | | DATE APR: | |
| APR BY: | | DATE APR: | |

UNLESS OTHERWISE SPECIFIED
DIMENSION ARE IN INCHES
CABINET SQUARENESS ± .0625
FRACTIONAL VALUES ± 1/32"
- ALL VALUES ± OVERALL -



300 South Krueger Street
Suring, WI 54174
diversifiedwoodcrafts.com

TITLE:
ADJUSTABLE HEIGHT RISER TABLE
ASSEMBLY INSTRUCTIONS

| REV. | DESCRIPTION | DATE | NAME | ECN NO. |
|----------------|-------------------------------|--------|------|---------|
| A | CREATED ASSEMBLY INSTRUCTIONS | 3/3/14 | EMK | - |
| REVISION LEVEL | | | | |

THIS DRAWING IS THE SOLE PROPERTY OF
DIVERSIFIED WOOD CRAFTS. IT MAY NOT
BE ALTERED OR CHANGED WITHOUT
PERMISSION

| | | | |
|-------------------|--------|--------|-----------|
| DRAWING NUMBER: | SCALE: | SHEET: | REVISION: |
| PR8 SERIES TABLES | NTS | 6 OF 6 | REV A |