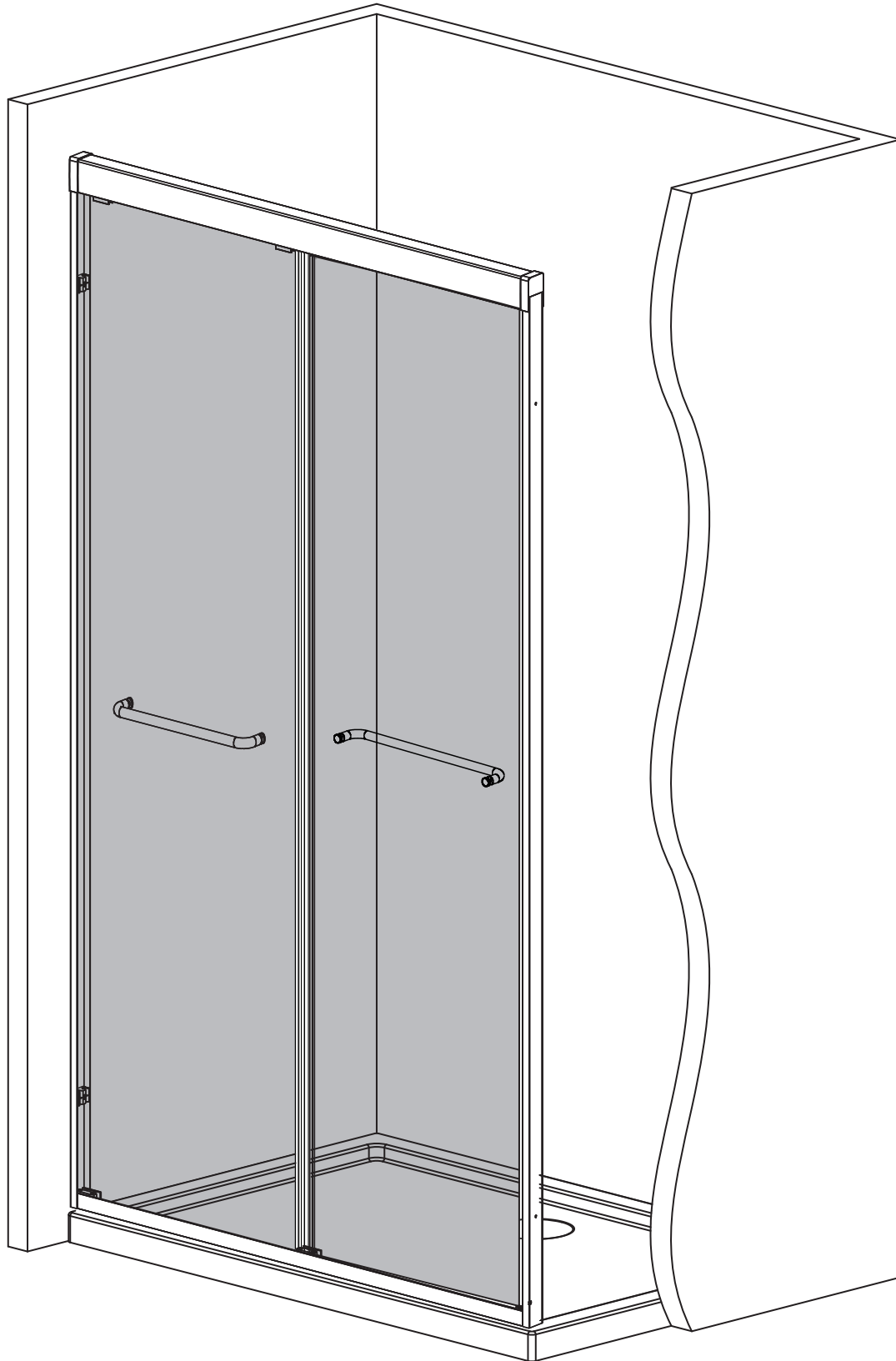
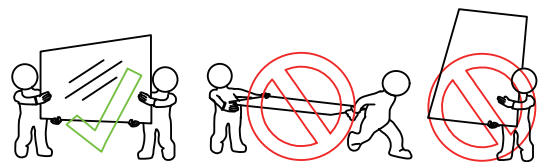


# INSTALLATION MANUAL

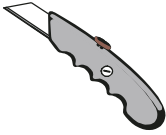
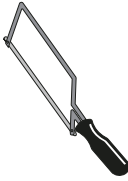

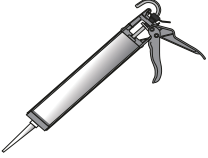
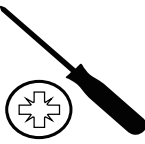
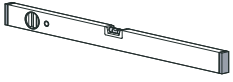
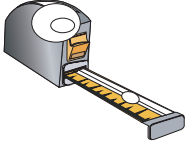

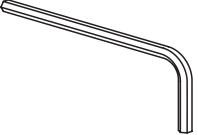


PF-133	1219X1829MM	48"X72"
	1372X1829MM	54"X72"
	1524X1829MM	60"X72"
	1524X1524MM	60"X60"



**NOTE: Installation Requires 2 People**

## Tools and Materials

		 Ø 2.8mm 14/127" Ø 6mm 30/127"		
<b>Knife</b>	<b>Hack Saw</b>	<b>Drill</b>	<b>Caulk Gun</b>	<b>Screwdriver</b>
				
<b>Level</b>	<b>Tape Measure</b>	<b>Pencil</b>	<b>Allen Key</b>	

## Before You Begin

⚠ CAUTION: Risk of injury. Always wear safety glasses when cutting or drilling.

⚠ CAUTION: Risk of injury or product damage. Tempered glass cannot be cut.

- Before starting the installation, lay out and identify the parts. Inspect them for damage.
- The bath/shower or receptor should be installed/prepared at this time, including finished wall materials.

## Installation on Tiled Surfaces

If your shower door will be installed over tiles, ensure the tiles are fully laid beneath the door frame.

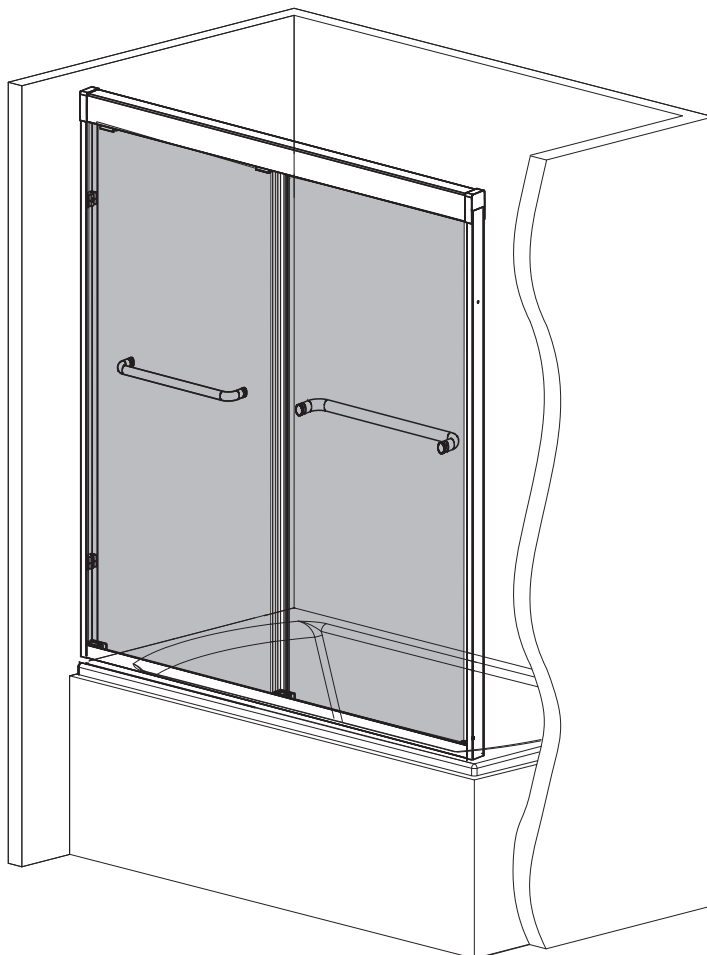
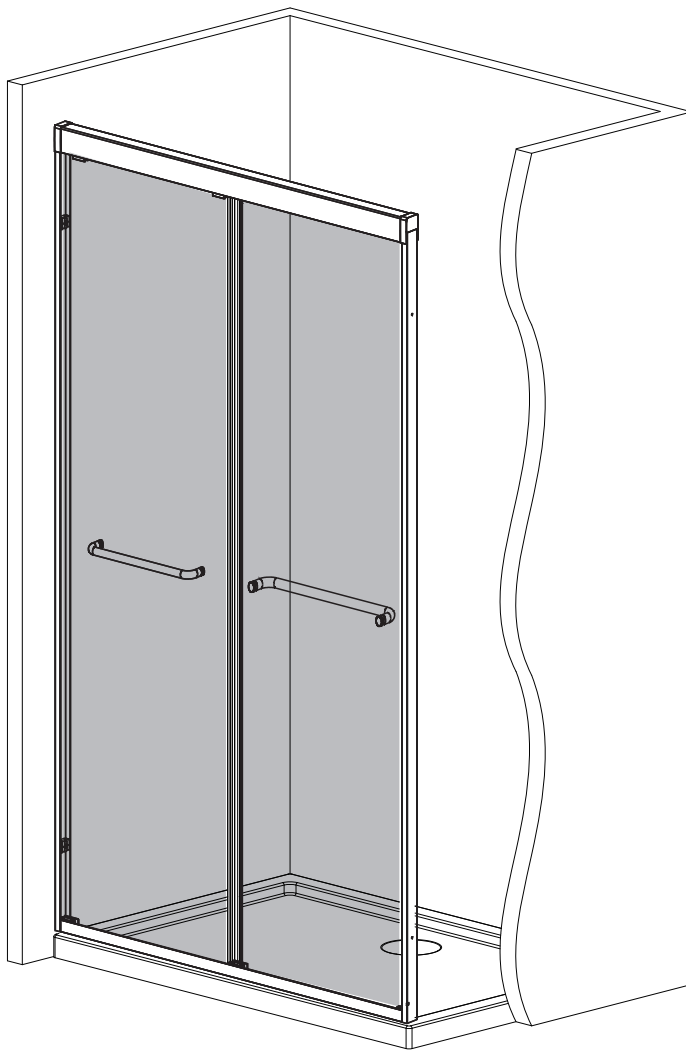
## Shower Door Care

Do not use abrasive pads or sharp tools on any metal parts or glass surfaces.

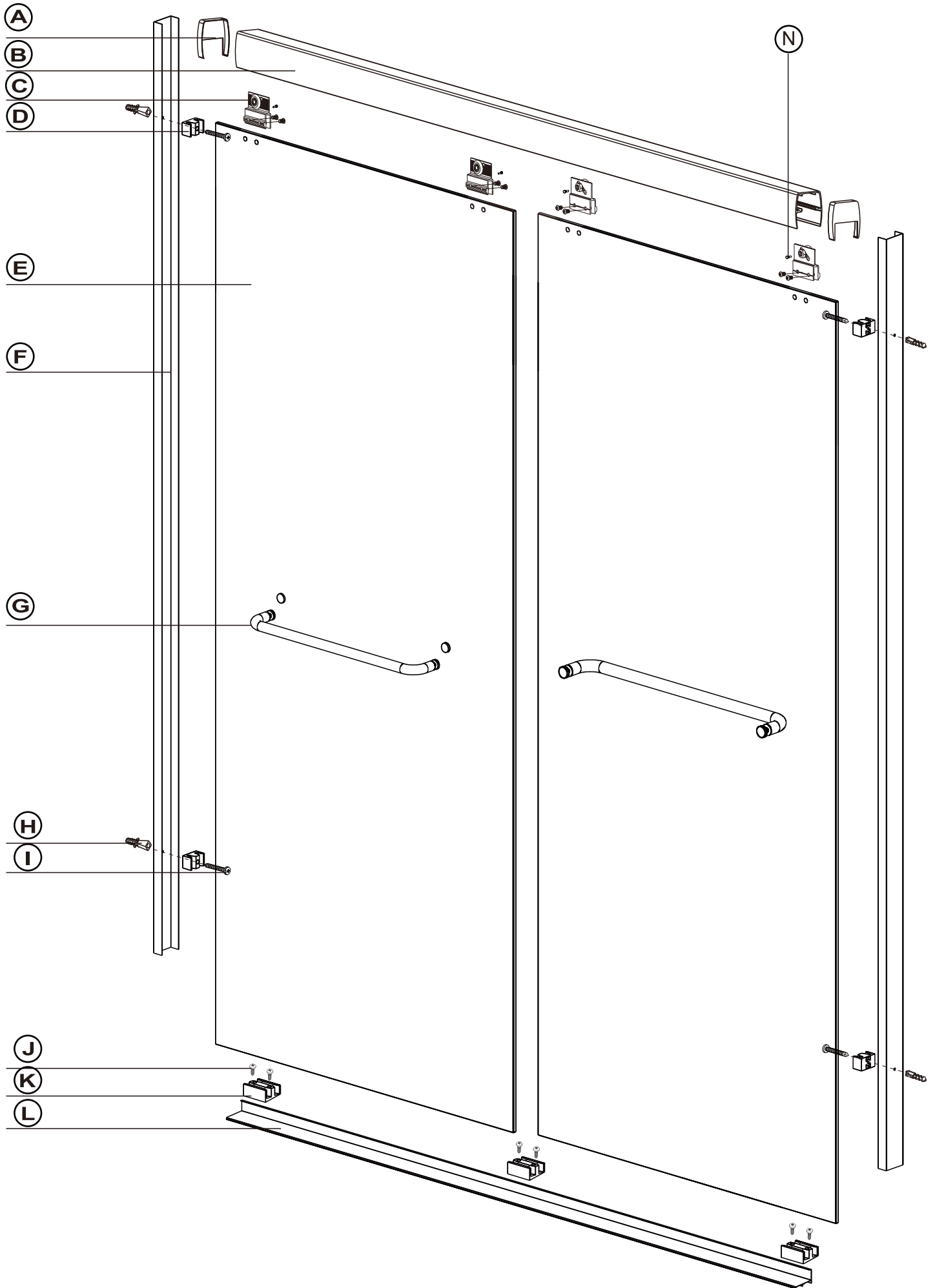
To maintain a clean and like-new appearance, wipe with diluted mild soap and water.

We recommend using a squeegee to dry the glass panels after each use.


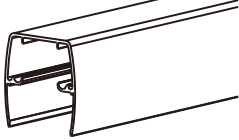
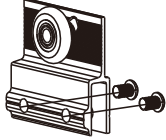
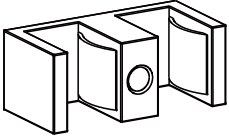
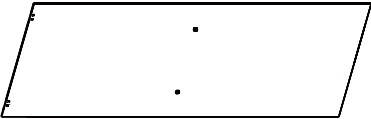
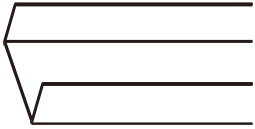


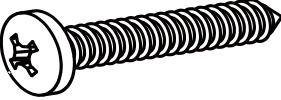

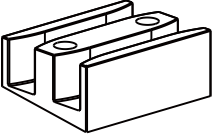
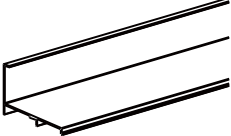
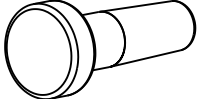
# Universal Manual – Applicable to the Following Configurations



# Detailed Diagram of Shower Door Components



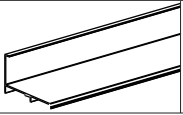
◆ Parts List

ITEM	PARTS	DIAGRAM	QTY
A	Track Cover		x2
B	Top Track		x1
C	Roller		x4
D	Bumper		x4
E	Door Panels		x2
F	Wall Jamb		x2
G	Towel Bar		x2
H	Wall Anchors $\varnothing 6$		x4
I	Screw ST 4X30mm		x4
J	Screw ST 4X8mm		x6
K	Bottom Guide Block		x3
L	Bottom Track		x1
N	Anti-jump parts		x4

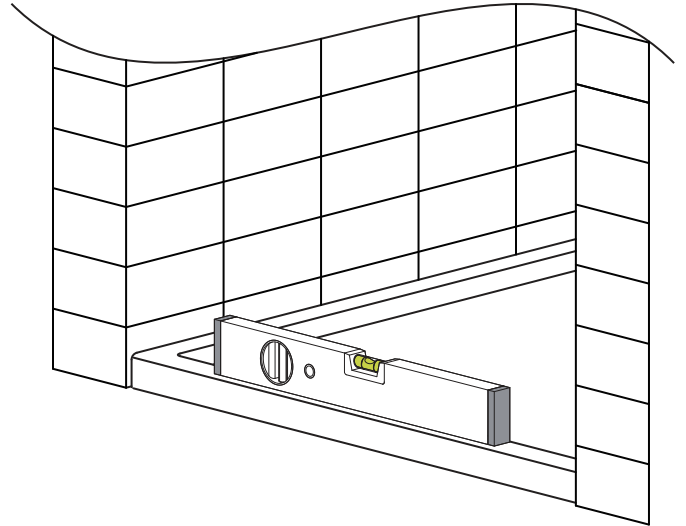
## STEP 1.1

### Measure and Cut the Bottom Track

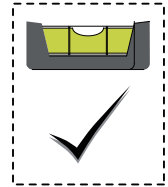
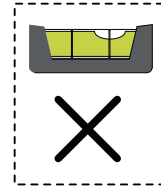
(L)



x1



THE INSTALLATION SHOWN IS BASED ON PLUMB FINISHED WALLS AND A LEVELLED BASE. IF THESE CONDITIONS ARE NOT MET, PLEASE ADJUST ACCORDINGLY.

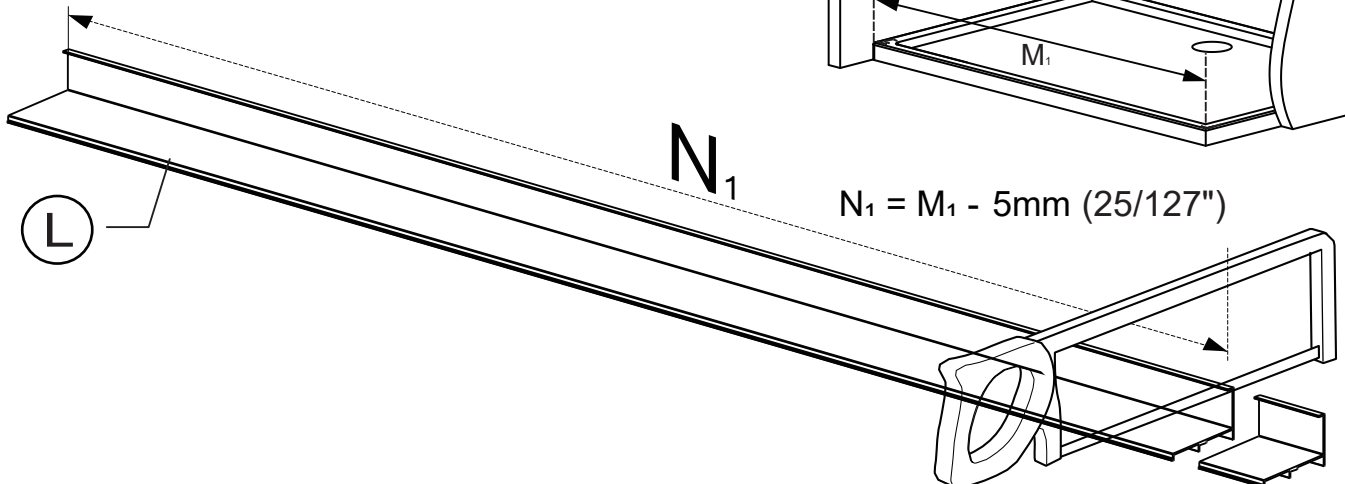
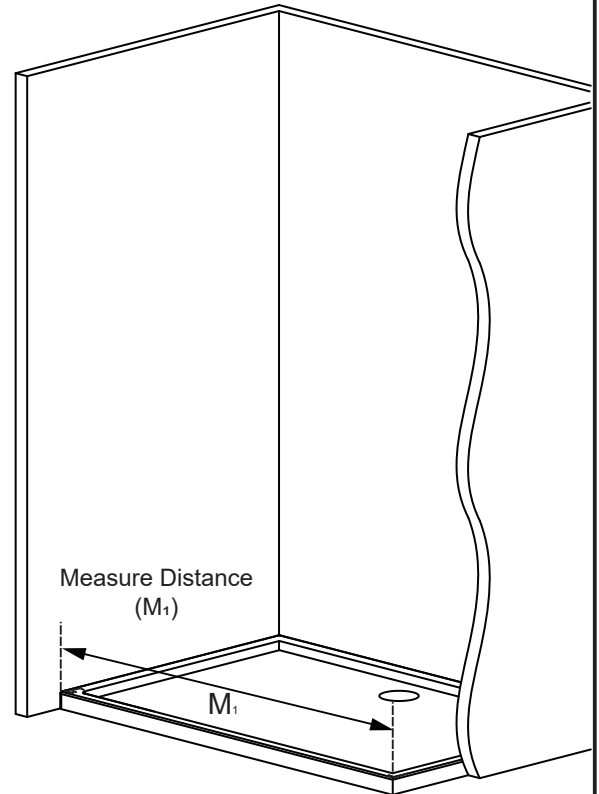


## STEP 1.2

### Measure and Cut the Bottom Track



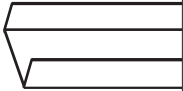

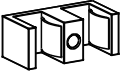

CUT THE BOTTOM TRACK 25/127"  
(5mm) SHORTER THAN THE OPENING



$$N_1 = M_1 - 5\text{mm} \text{ (25/127")}$$

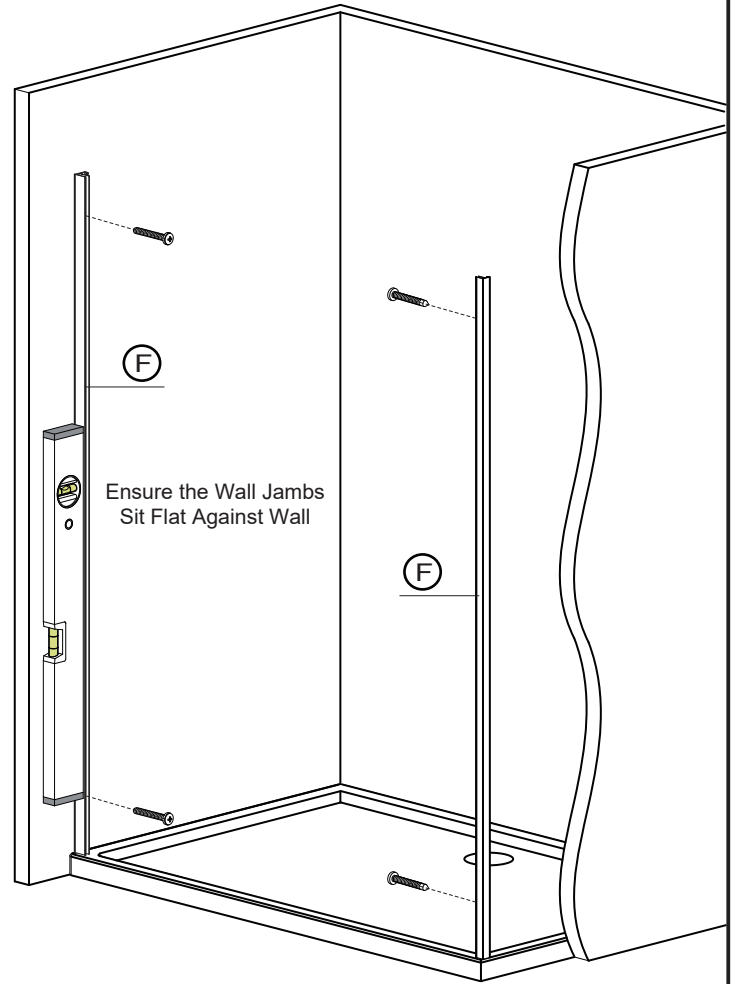
## STEP 2

### Install the Wall Jamb on Both Sides

(F)		x2
(H)		x4
(D)		x4
(I)		x4

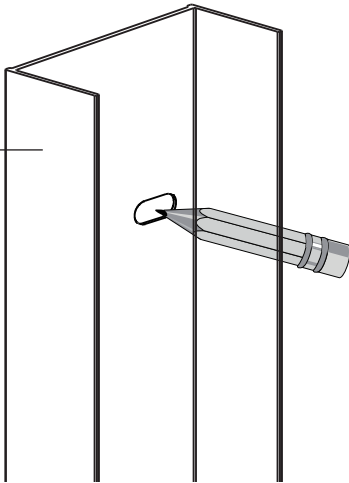


THE INSTALLATION SHOWN IS BASED ON PLUMB FINISHED WALLS AND A LEVELLED BASE. IF THESE CONDITIONS ARE NOT MET, PLEASE ADJUST ACCORDINGLY.



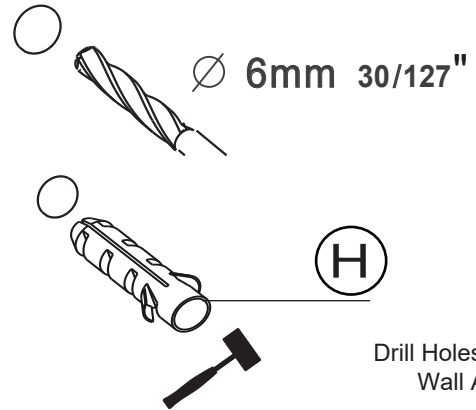
#### 2.1

(F)



Mark the Locations

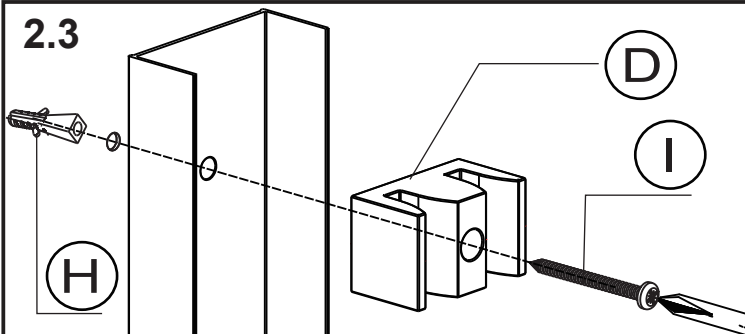
#### 2.2



Drill Holes, Insert the Wall Anchors

#### 2.3

(H)

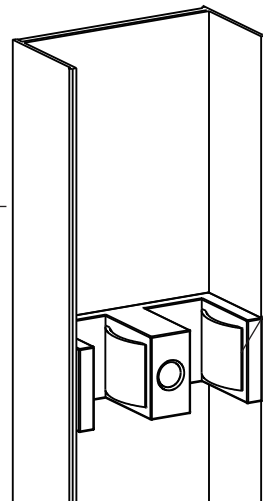


Secure the Wall Jamb with Screws

#### 2.4

(F)

(D)

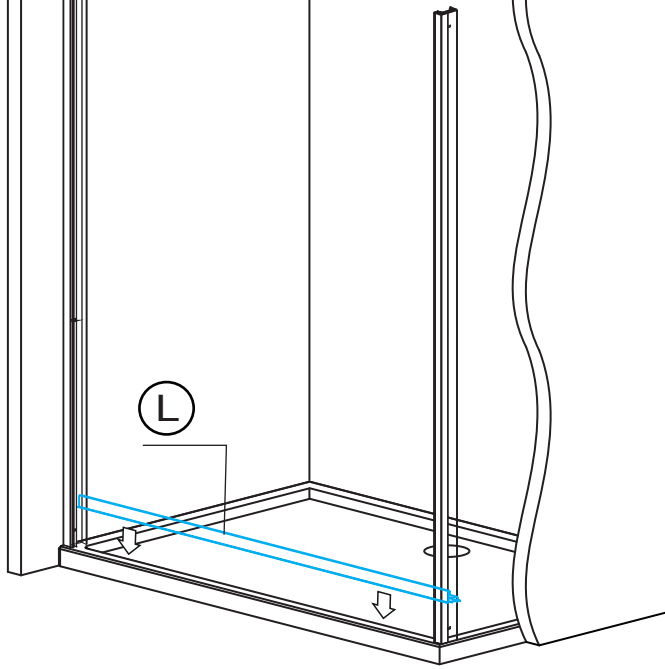


OK

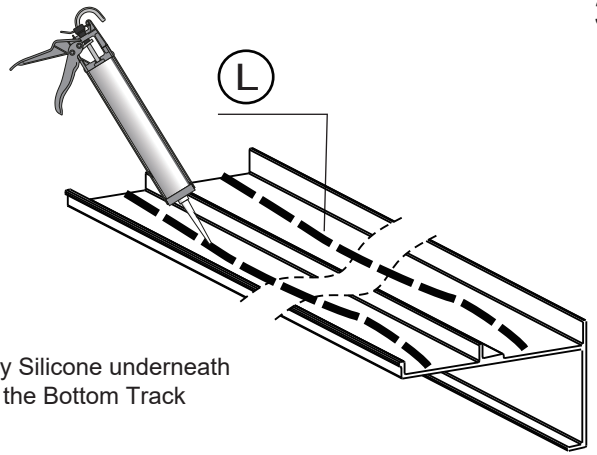
### STEP 3 Install the Bottom Track



Wipe the base with a clean cloth before installing the bottom track.



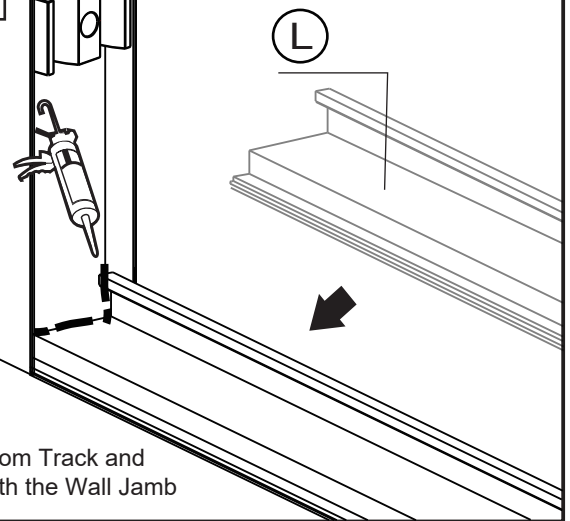
3.1



Apply Silicone underneath the Bottom Track

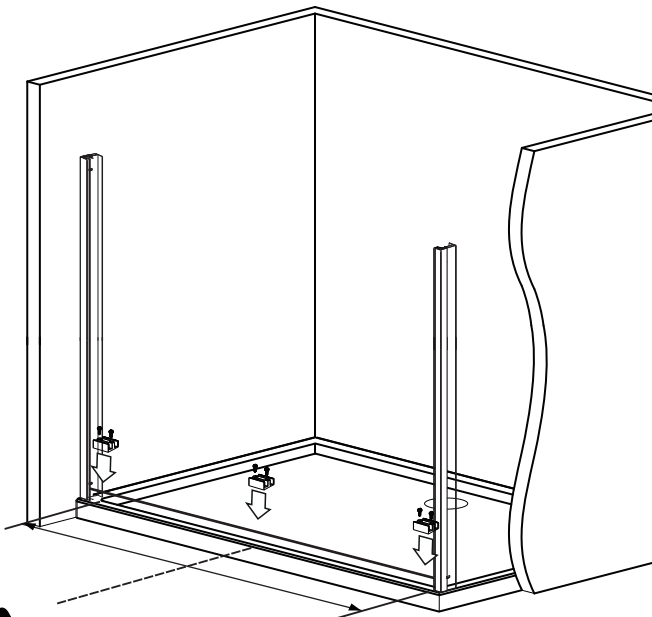
3.2

INTERIOR SHOWER SIDE



Place the Bottom Track and Seal the Joint with the Wall Jamb

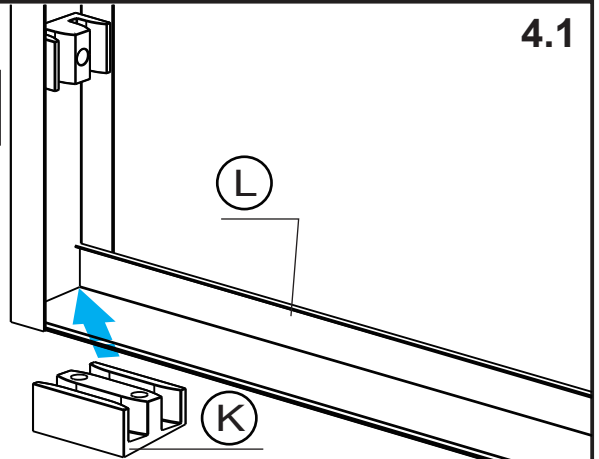
### STEP 4 Install the Bottom Guide Blocks



The Middle Bottom Guide Block Must Be Installed at the Center Position

4.1

INTERIOR SHOWER SIDE

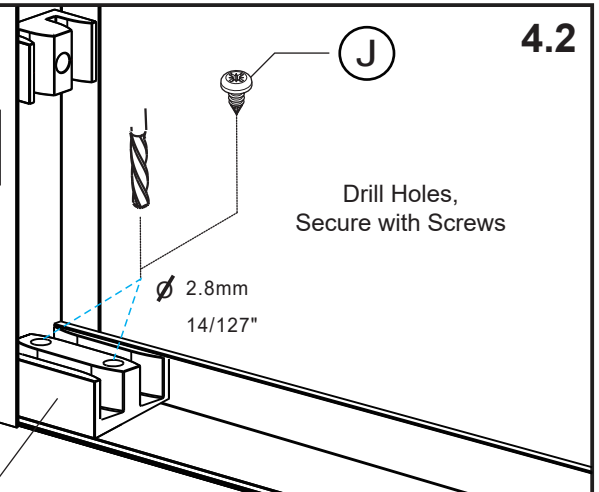


Place Bottom Guide Block as Shown

4.2

INTERIOR SHOWER SIDE

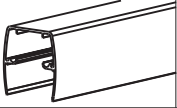
Drill Holes, Secure with Screws



# STEP 5

## Measure and Cut the Top Track

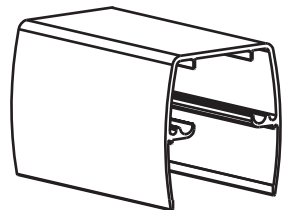
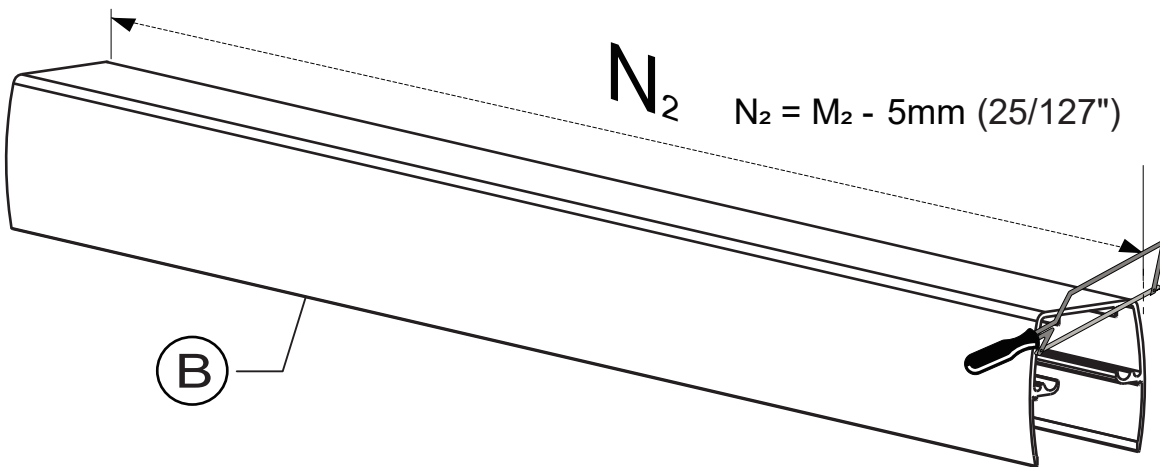
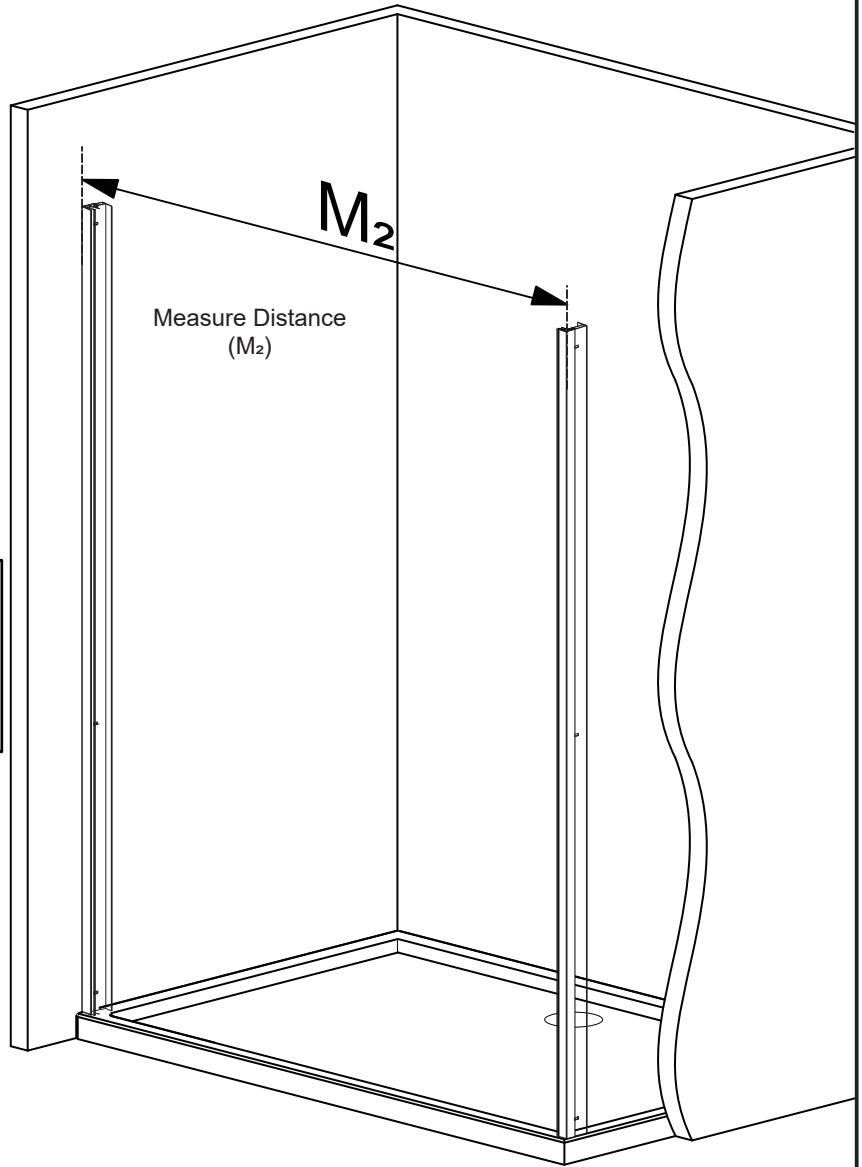
(B)



x1



THE INSTALLATION SHOWN IS BASED ON PLUMB FINISHED WALLS AND A LEVELLED BASE. IF THESE CONDITIONS ARE NOT MET, PLEASE ADJUST ACCORDINGLY.

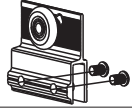


CUT THE TOP TRACK 25/127"  
(5mm) SHORTER THAN THE OPENING

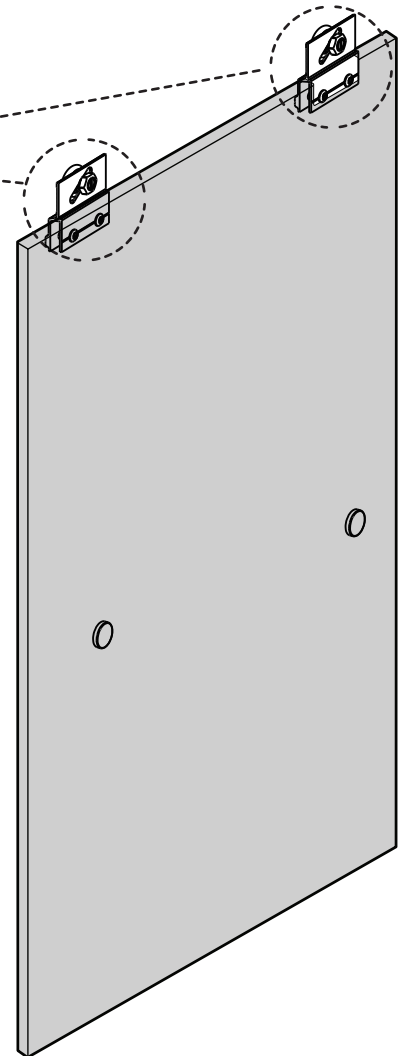
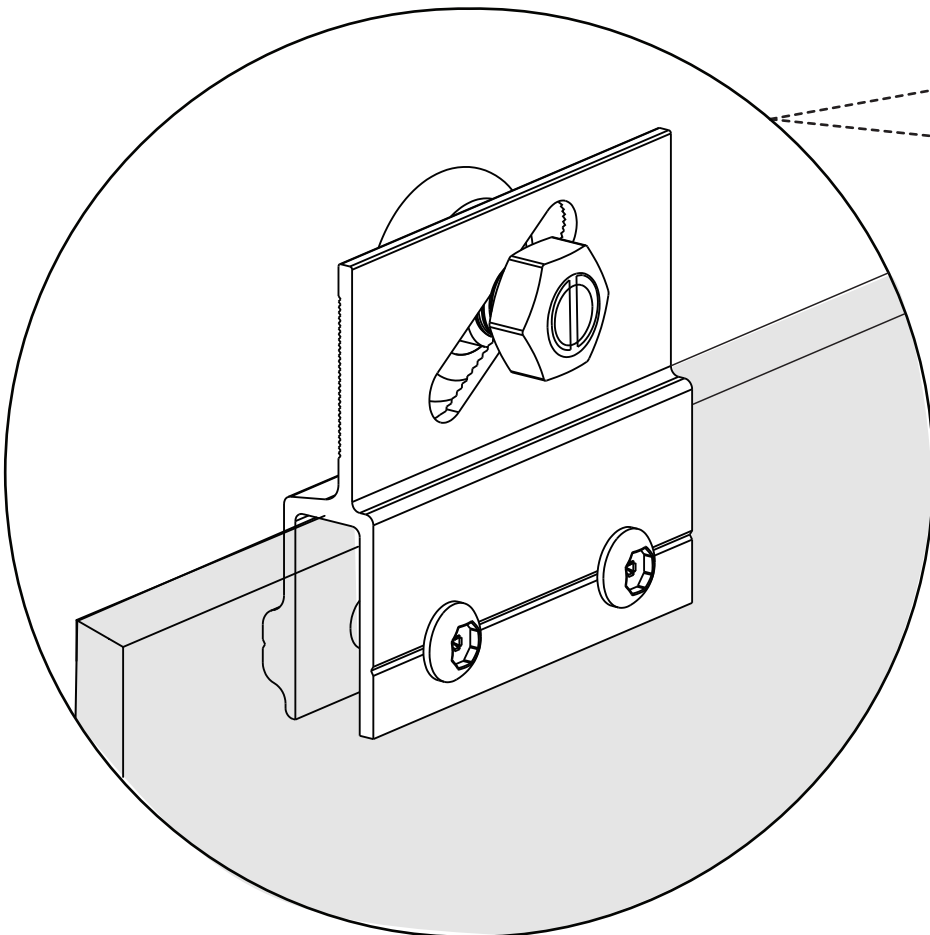
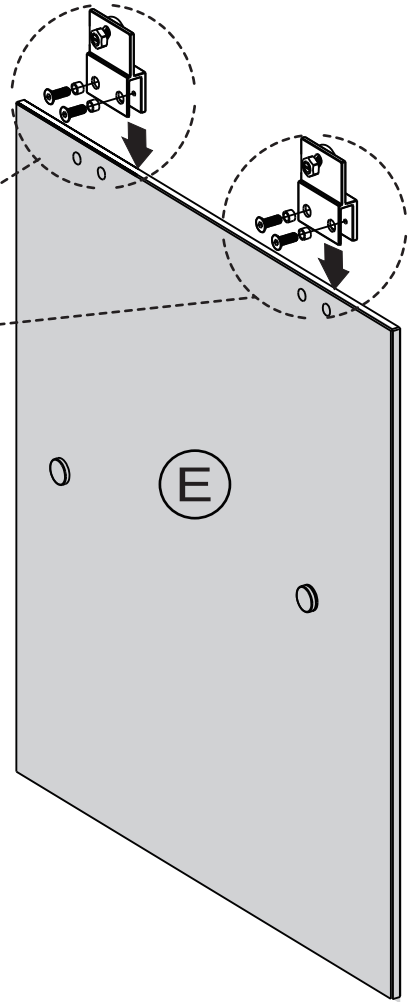
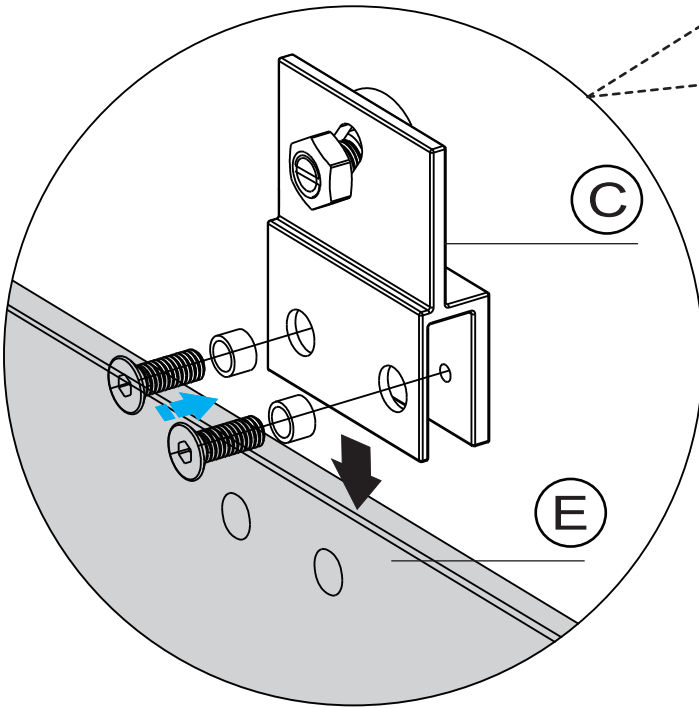
# STEP 6

## Install the Rollers on Door Panels

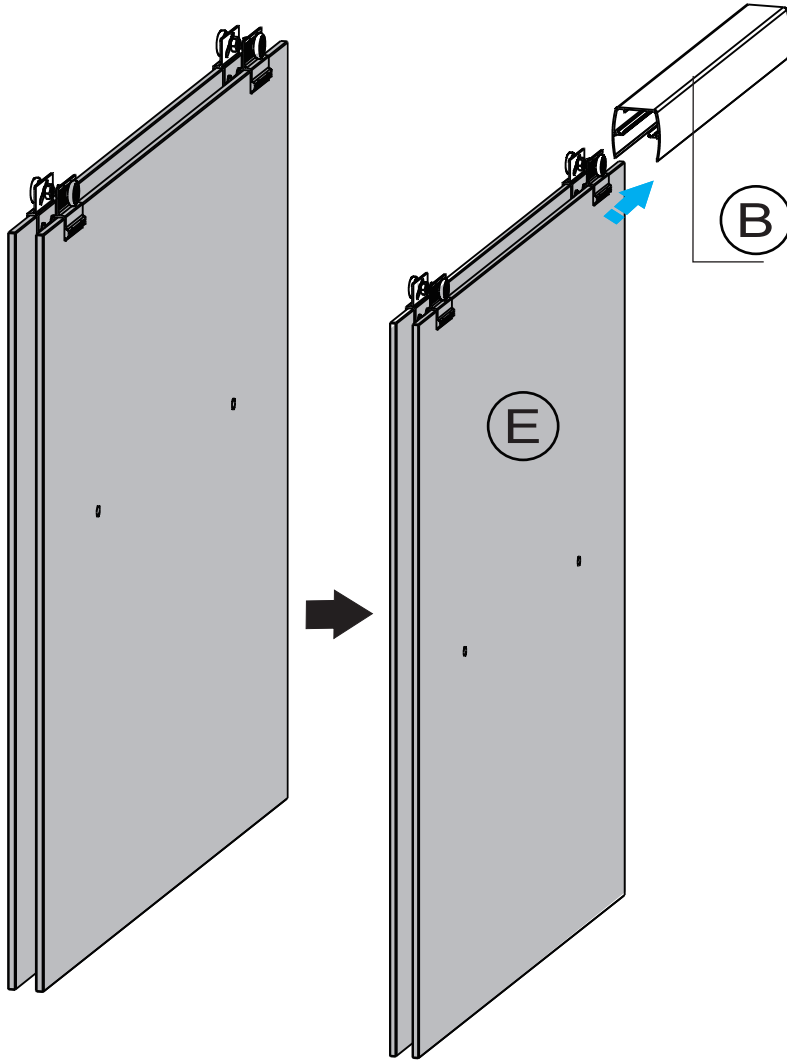
Ⓒ



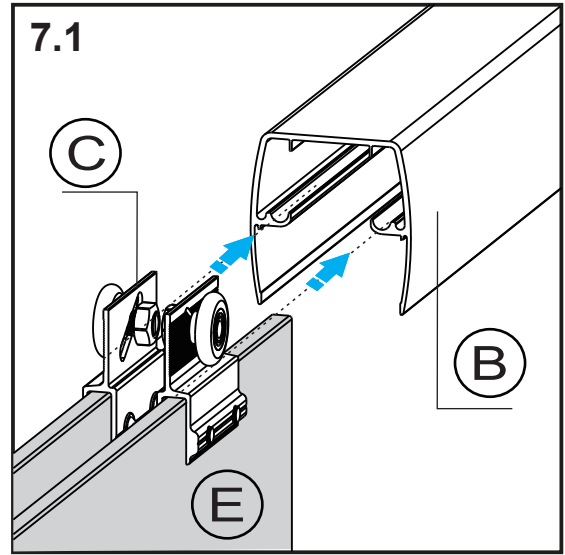
x4



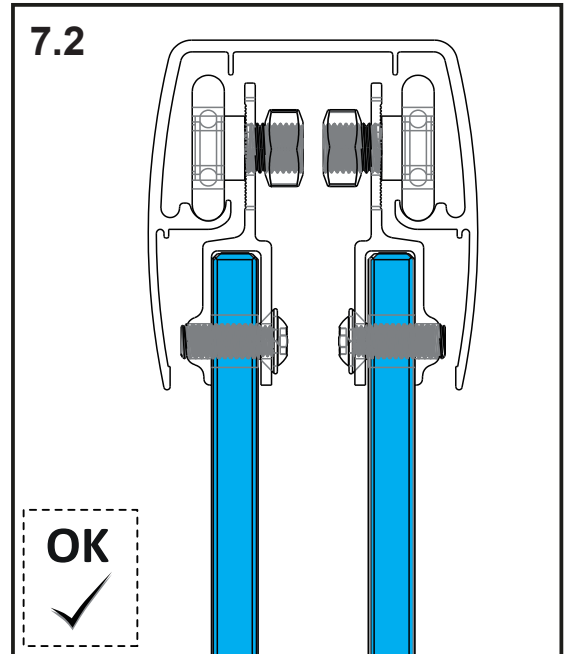
## STEP 7 Hang Door Panels on Top Track



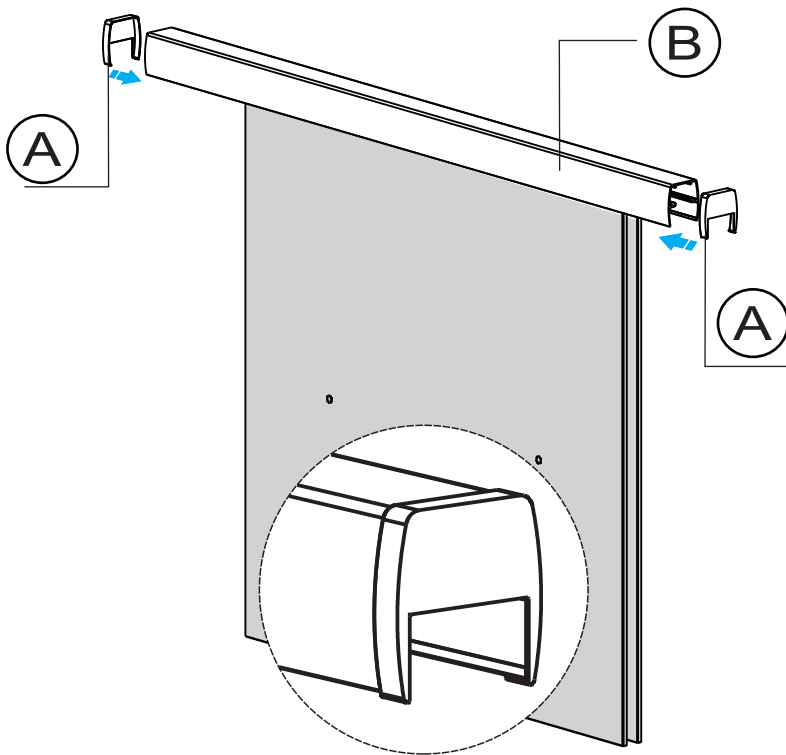
7.1



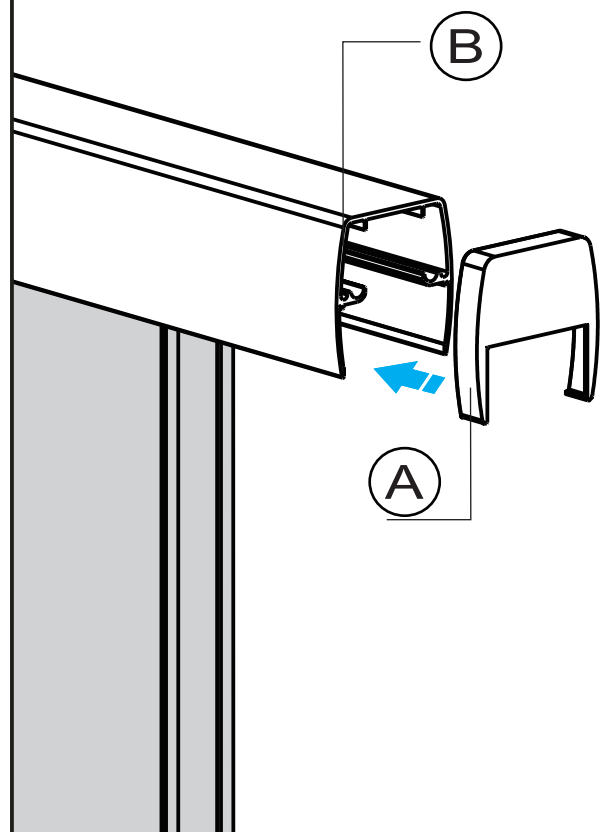
7.2



## STEP 8 Attach the Track Covers

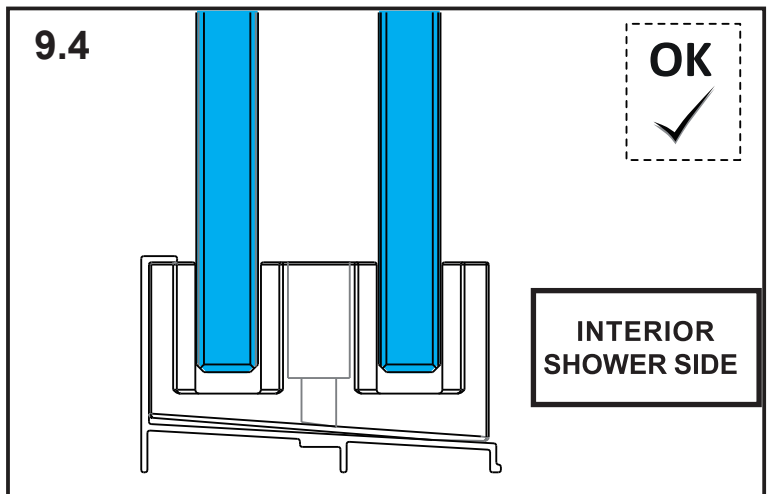
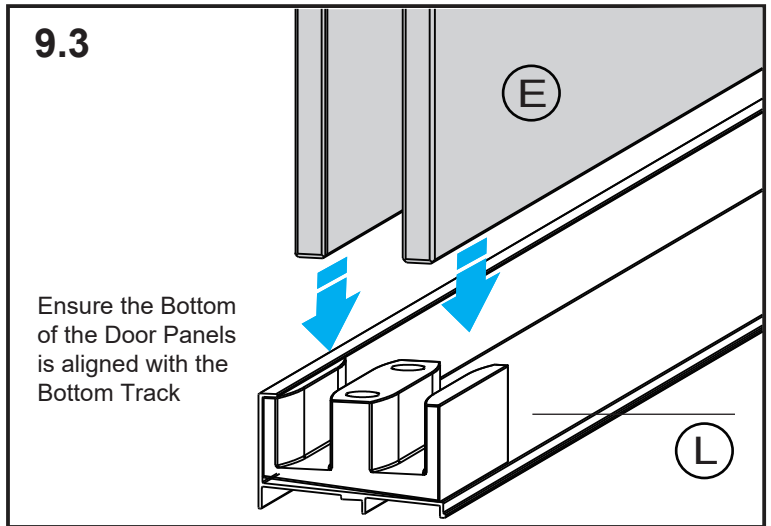
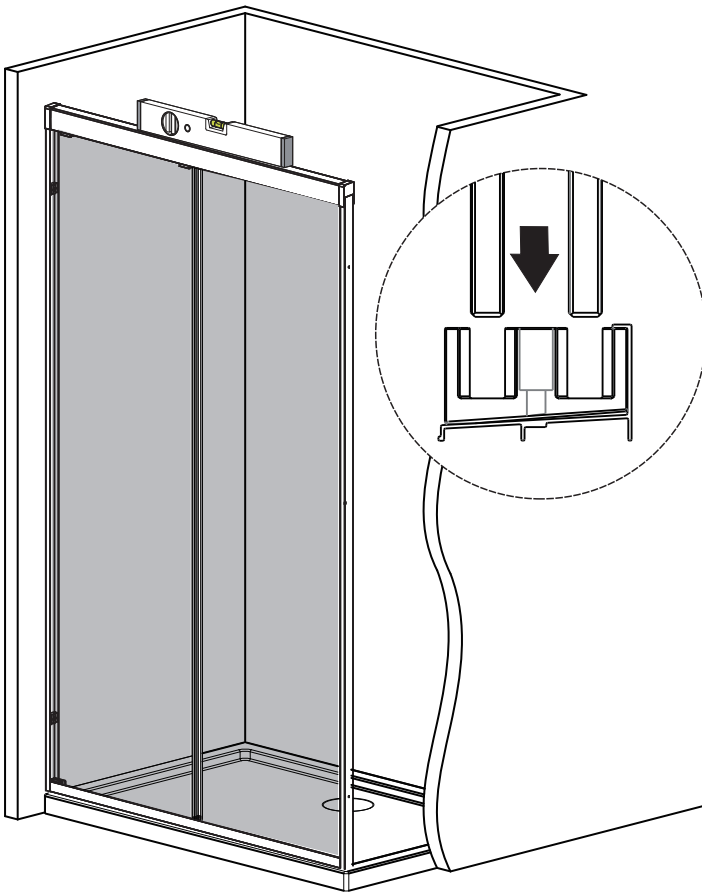
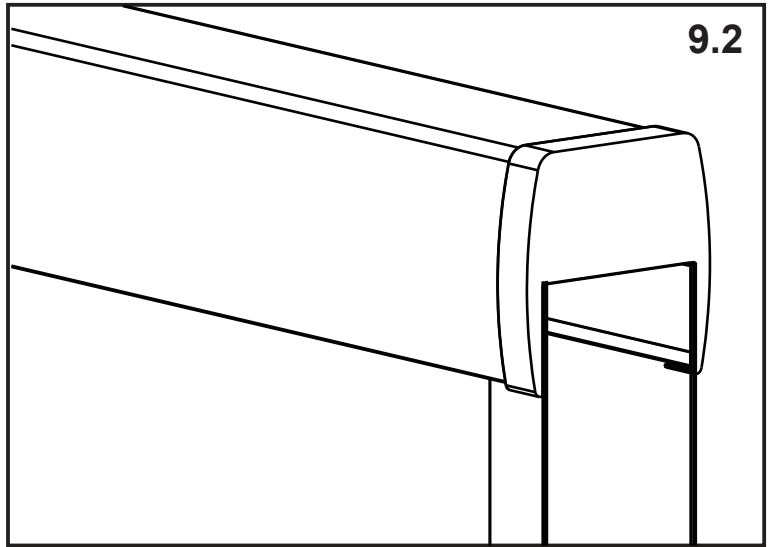
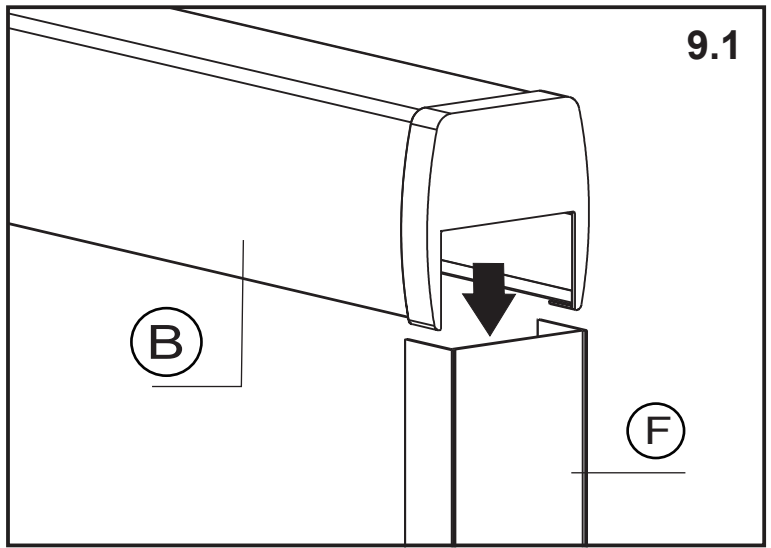
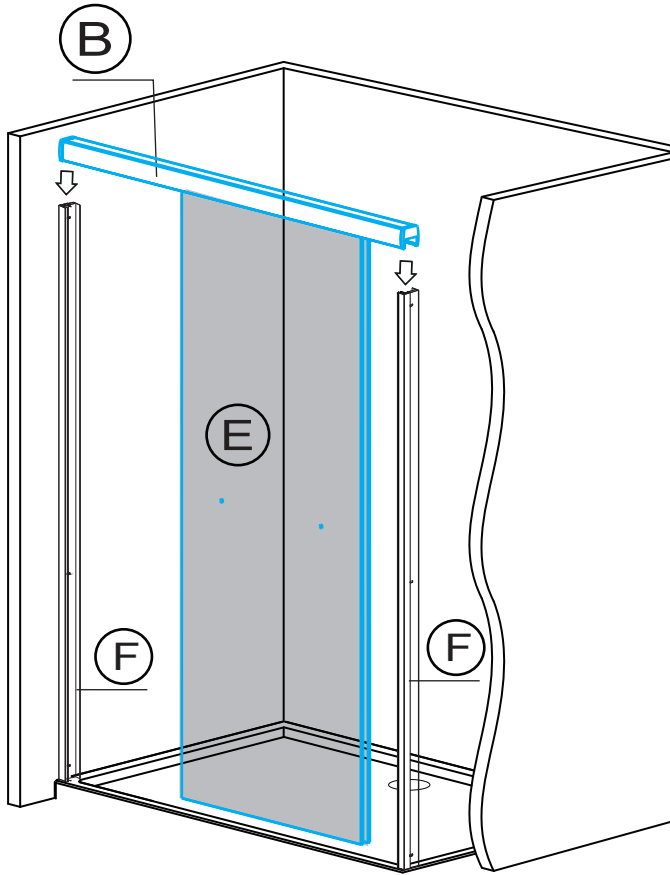


8.1

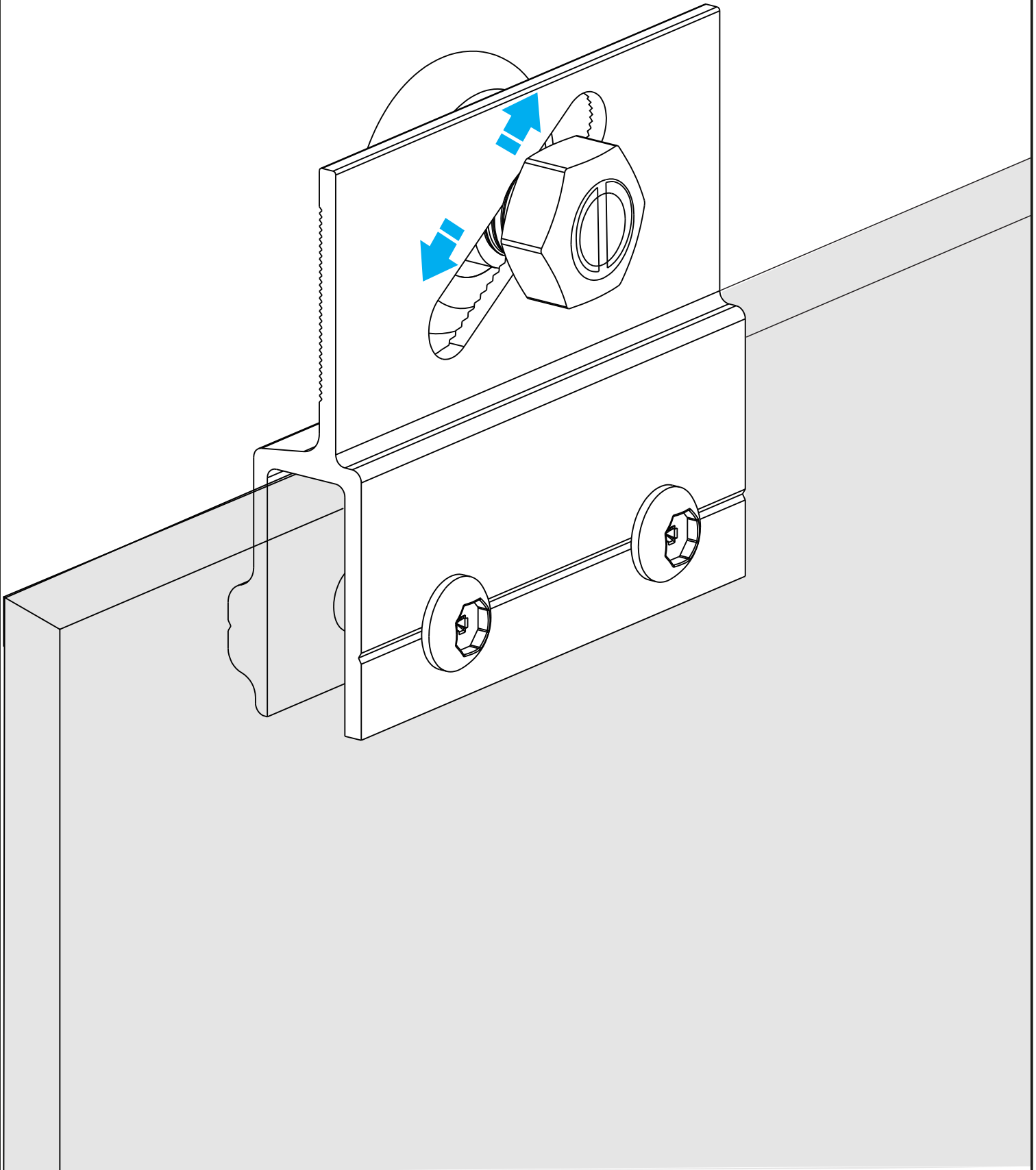


# STEP 9

## Mount Door Panels and Top Track onto Wall Jamb



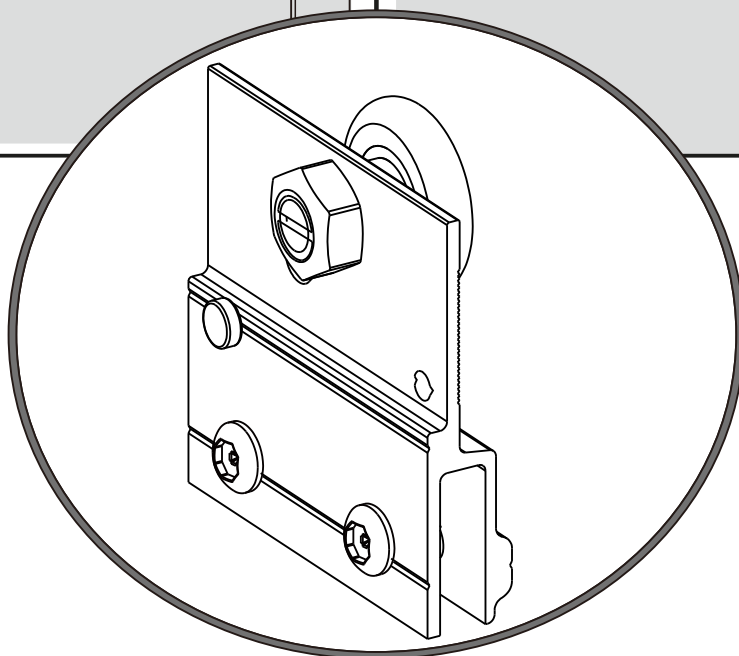
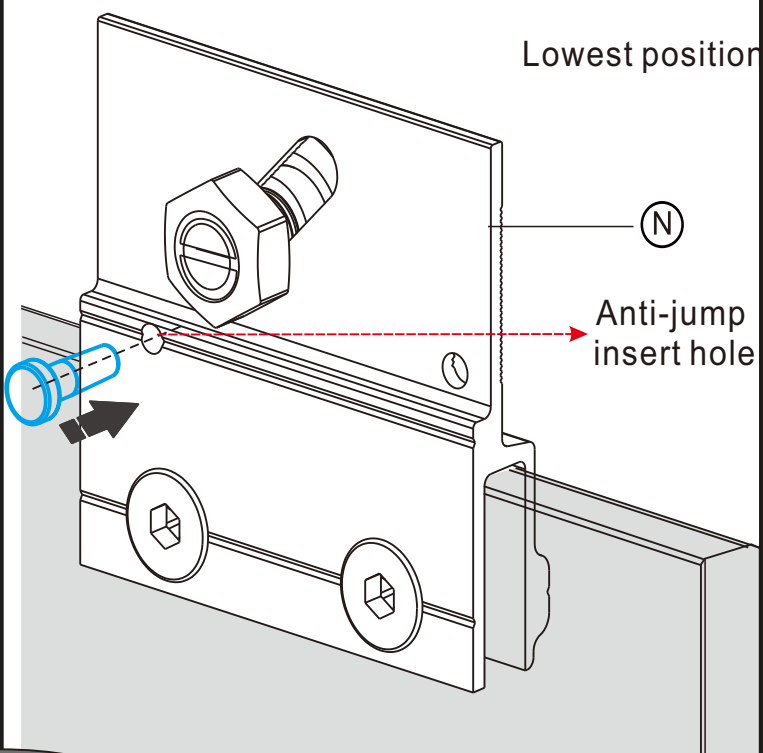
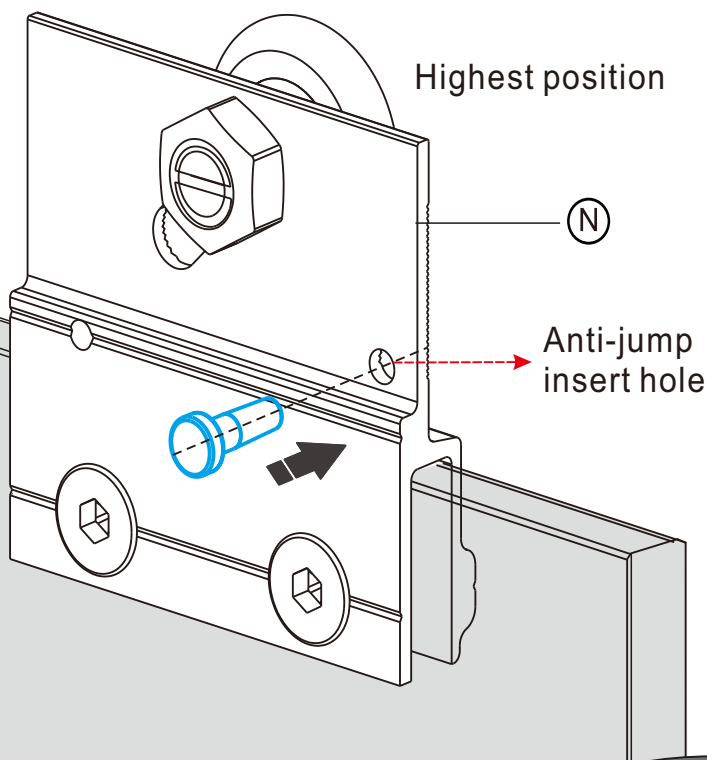
**NOTE:** If the door panels are misaligned or not vertical after installation, adjust the screw above the rollers to correct their position.



Adjust all the glass and then align the anti-jump device with the hole on the pulley and snap it into place.

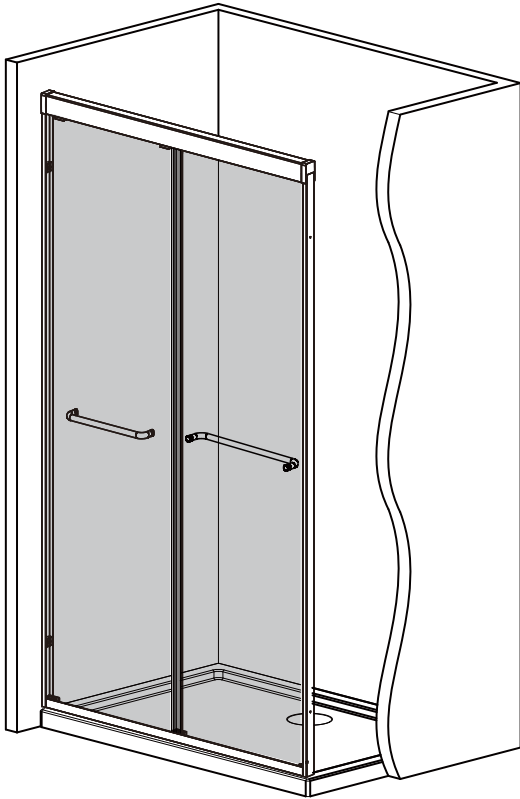
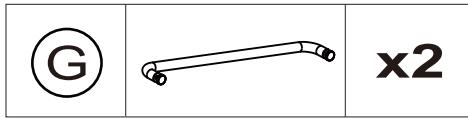
When the wheel is in the highest position, the anti-jump piece is inserted into the hole shown in the picture.

When the wheel is in the lowest position, the anti-jump piece is inserted into the hole shown in the picture.

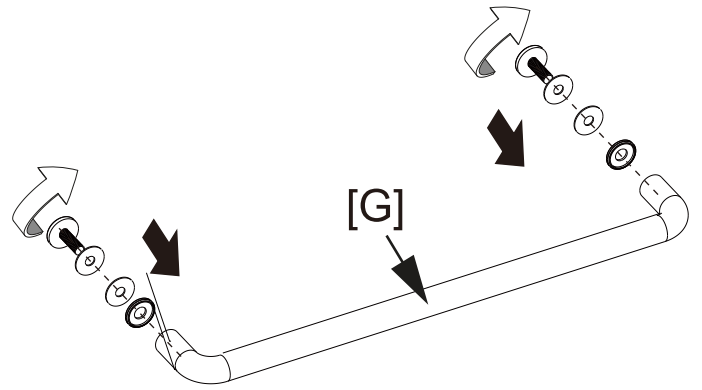


## STEP 11

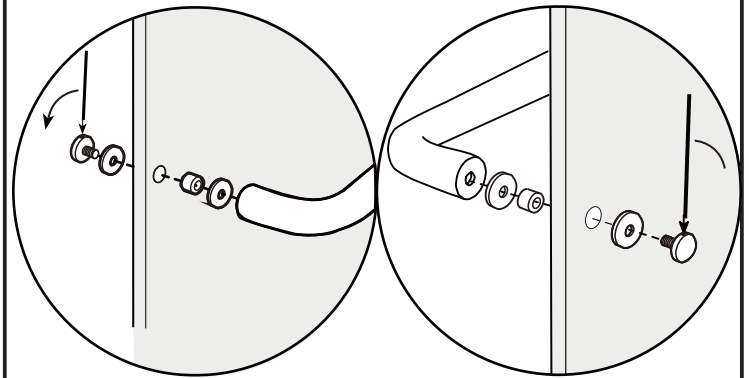
### Attach Towel Bar to Door Panels



11.1



12.1



## STEP 12

### Sealing

**NOTE**

The surfaces need to be clean and free of debris before applying silicone.

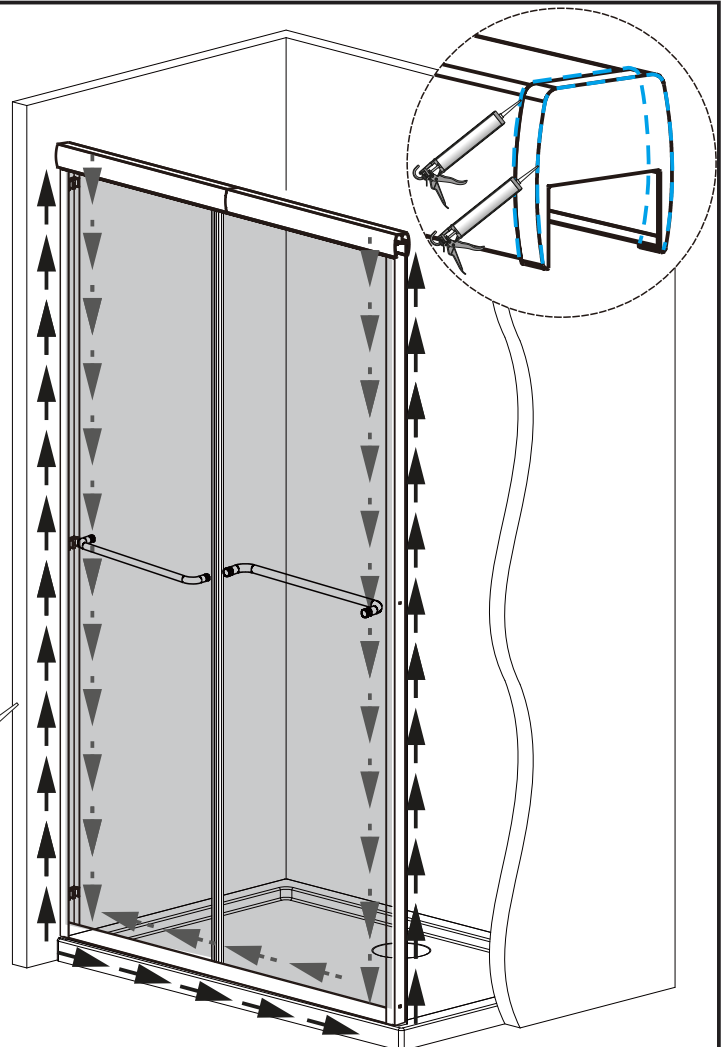
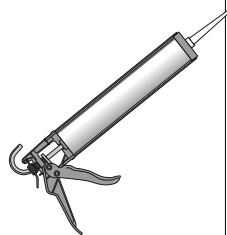
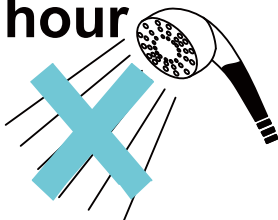
**NOTE**

Make sure that the shower door is tightly closed and opens smoothly. Use silicone sealant to seal along the entire length of the Wall Jamb (F) and Bottom Track (L).



Allow 24 hours for the silicone to cure before using the shower.

**24  
hour**



# THANK YOU

We hope you enjoy  
your purchase.

All of our products are crafted with an  
obsessive attention to detail.

Any problem with installation,  
please watch the video.



**Scan Me**