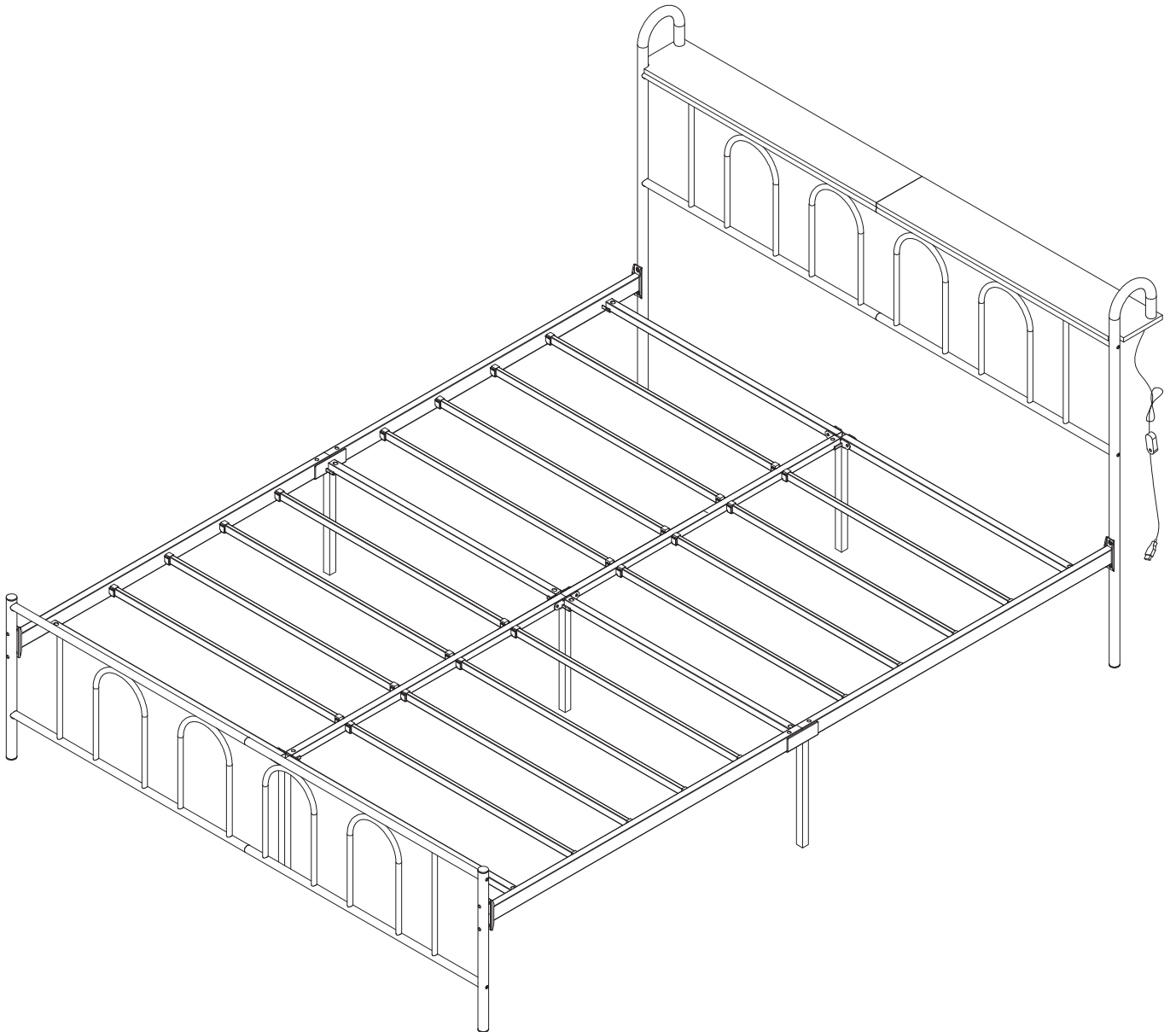


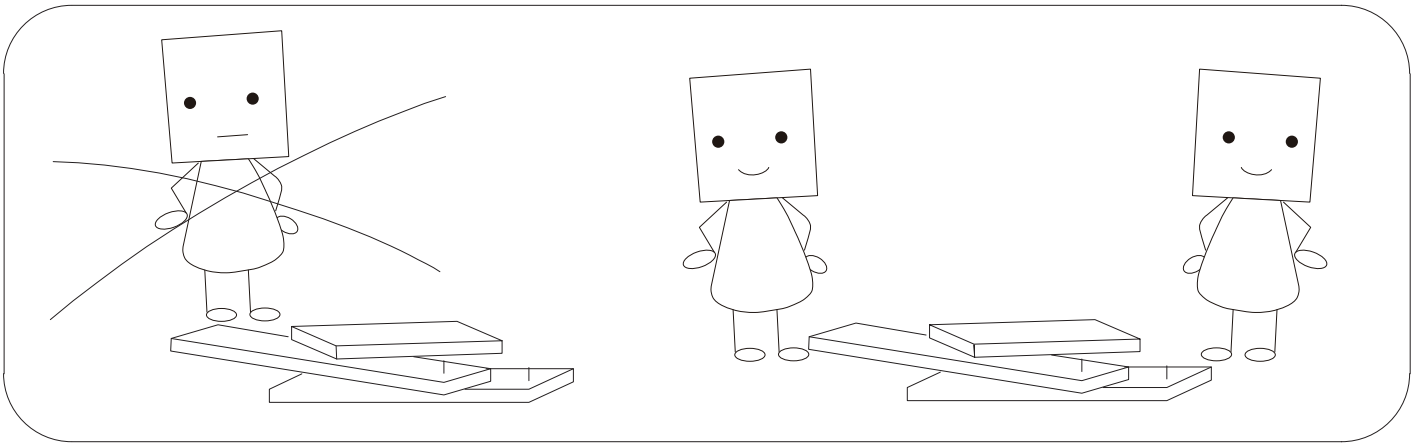
# ASSEMBLY INSTRUCTION



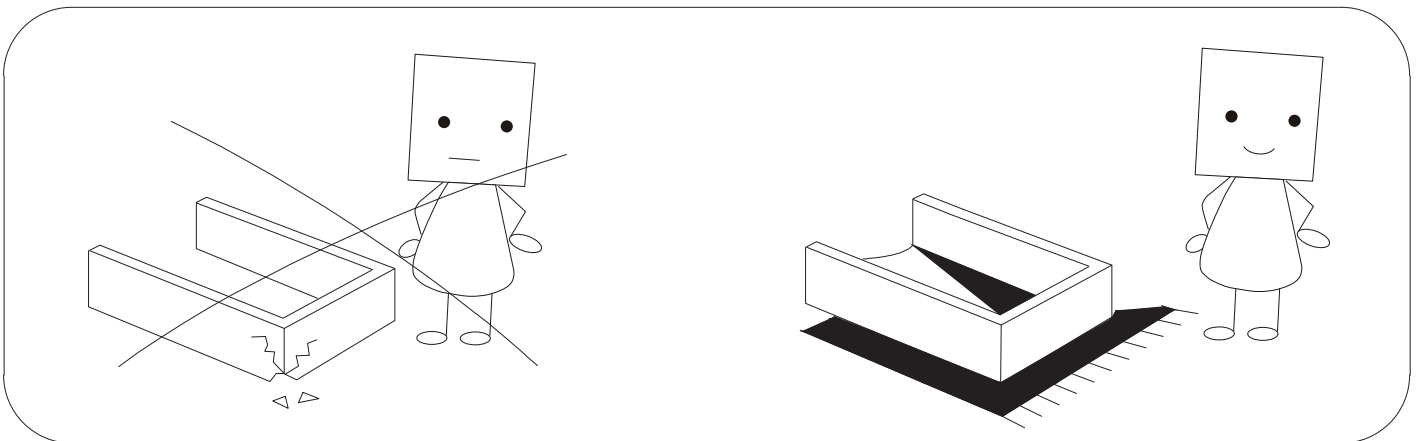


# WARNING

Need Two Or More People To Complete

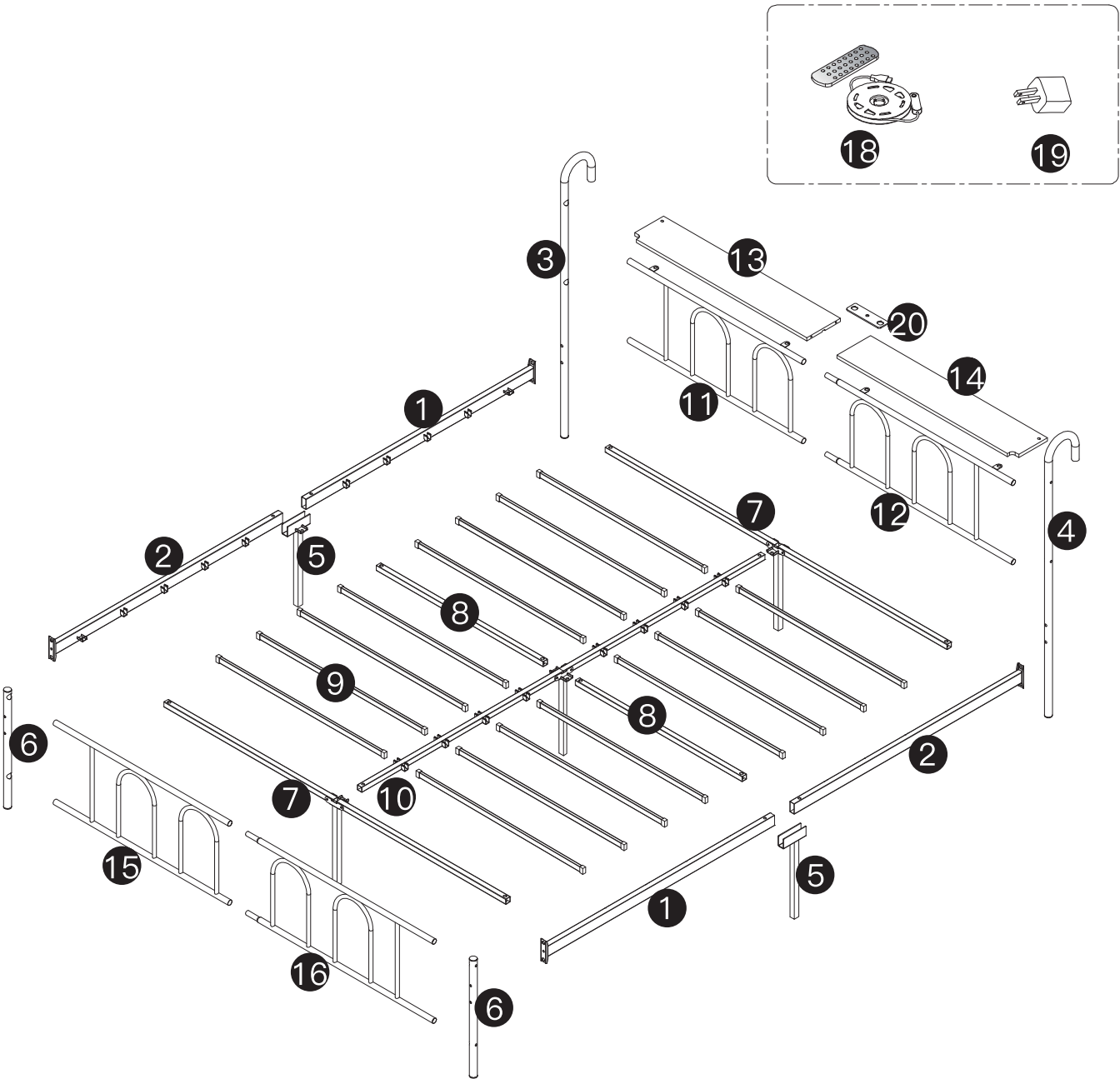


Assemble Item On a Clean Flat Surface



- Please check you have all hardware before assembling.
- Please ensure you have the name of the item and hardware part required and quantity.
- If you have any questions, please contact us by original purchase platform. we will reply you ASAP.

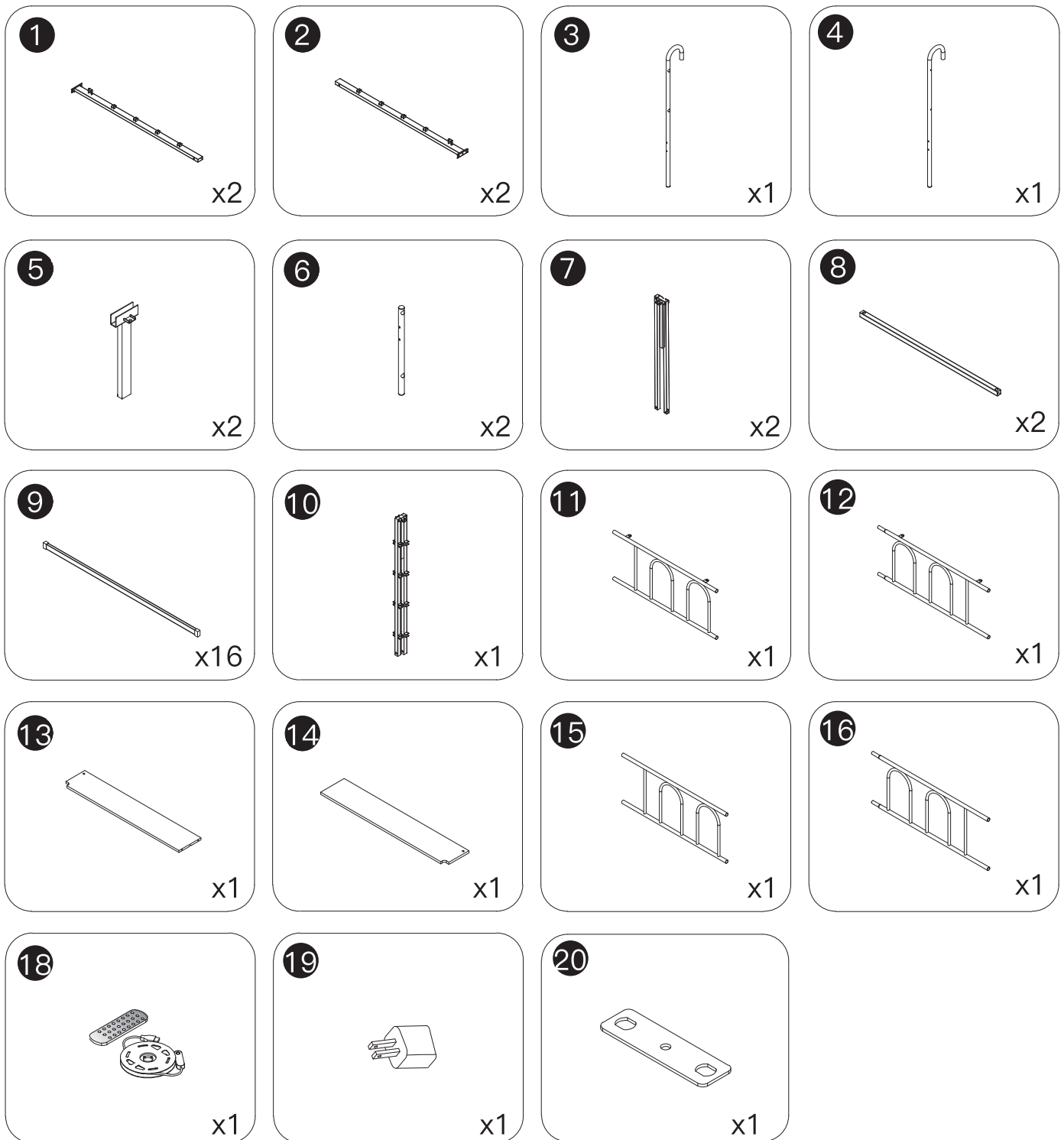
# EXPLODED DRAWING:

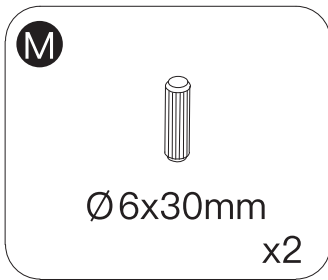
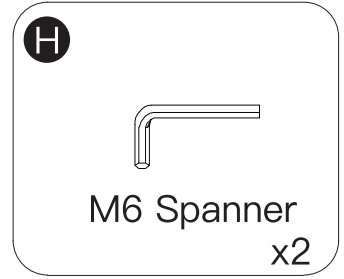
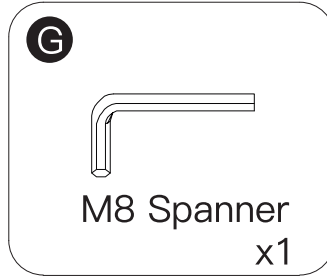
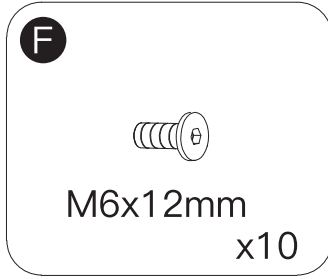
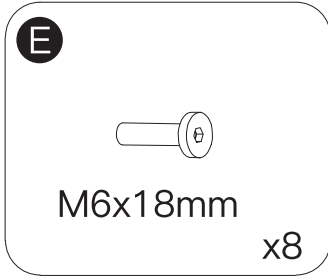
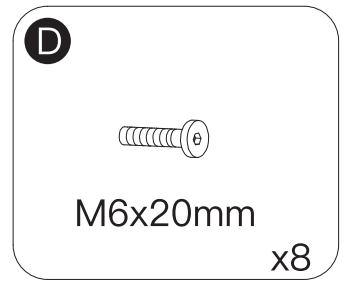
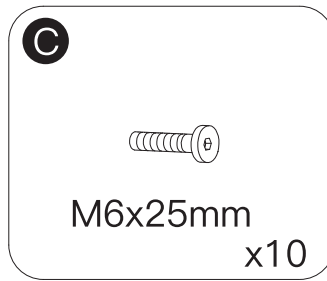
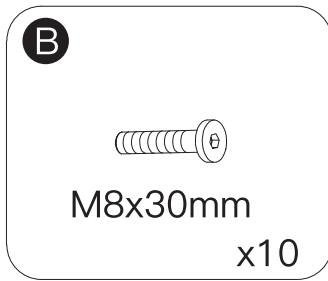
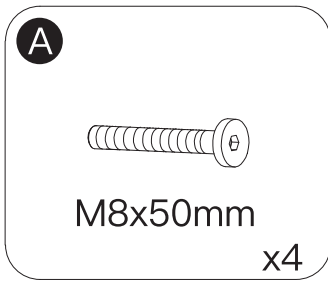


Please check all parts and accessories according to the parts list before assembling, make sure all contents are sufficient and in good condition.

If there is any parts missing or defective, please contact us with purchase platform message immediately to get replacement parts.

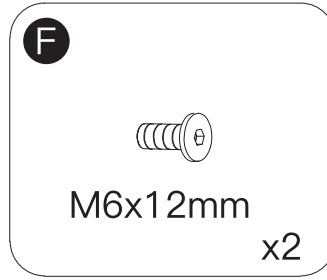
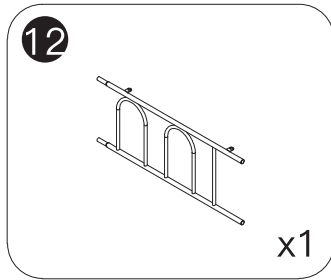
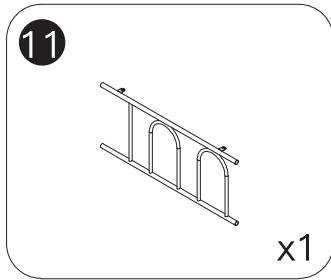
## PARTS:





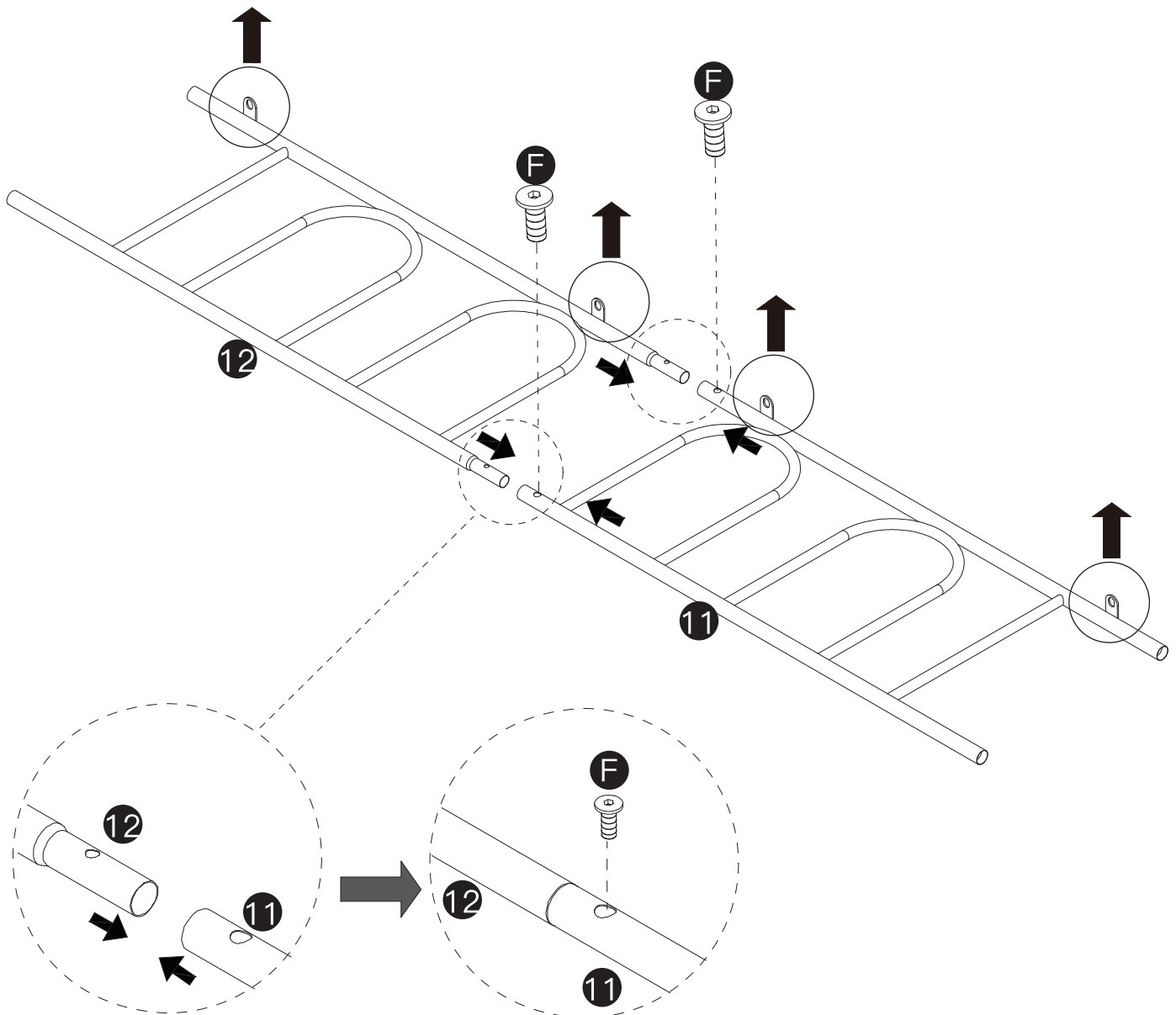
# HOW TO INSTALL

## STEP 1

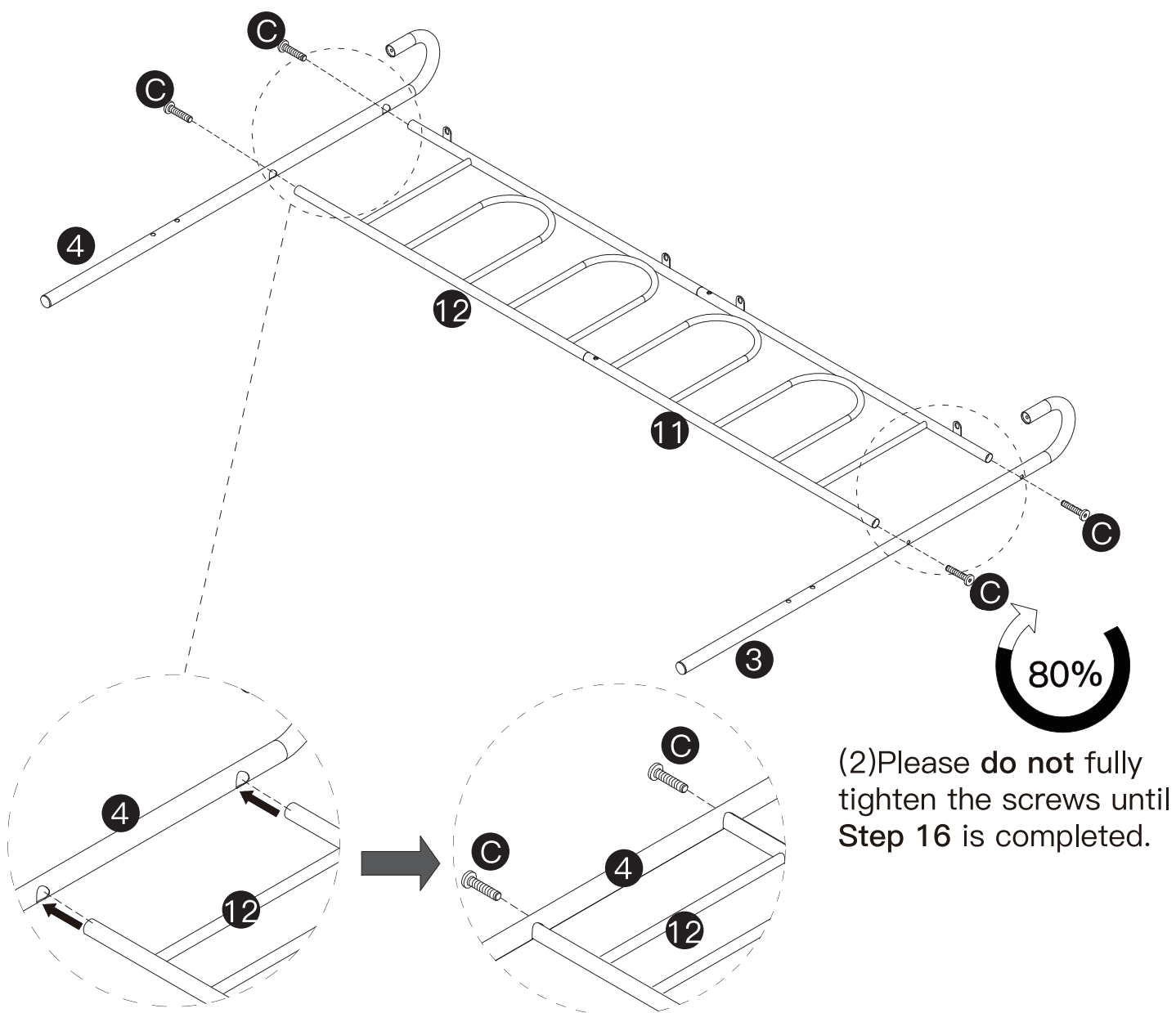
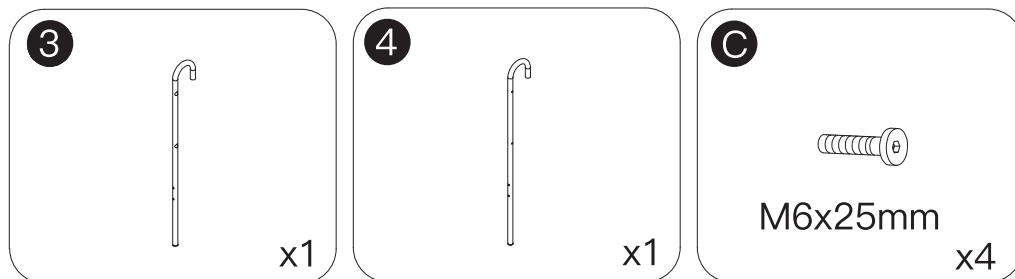


### NOTICE:

Please ensure that the iron sheet of part 11 & 12 are facing upwards.



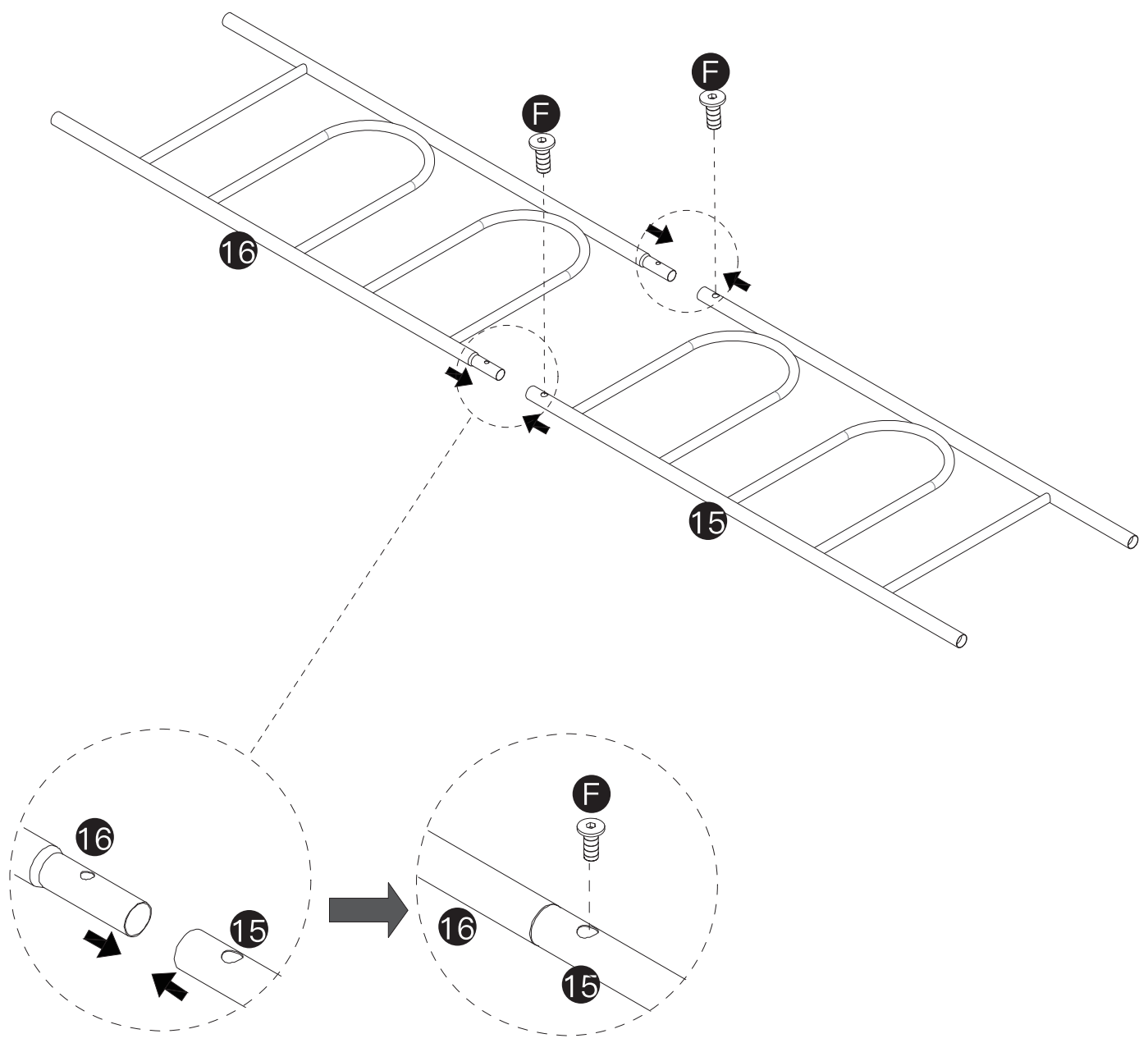
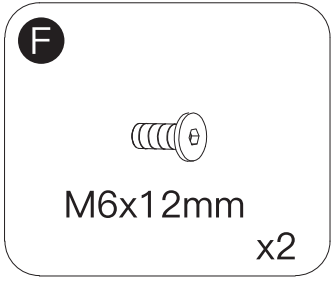
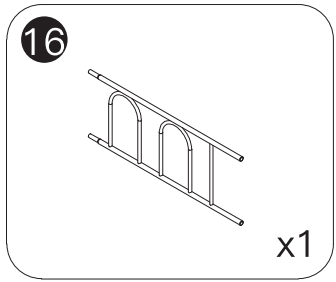
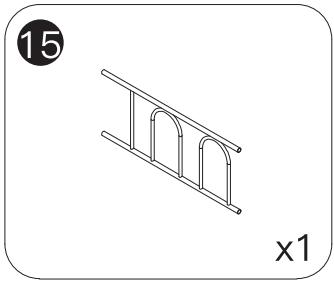
## STEP 2



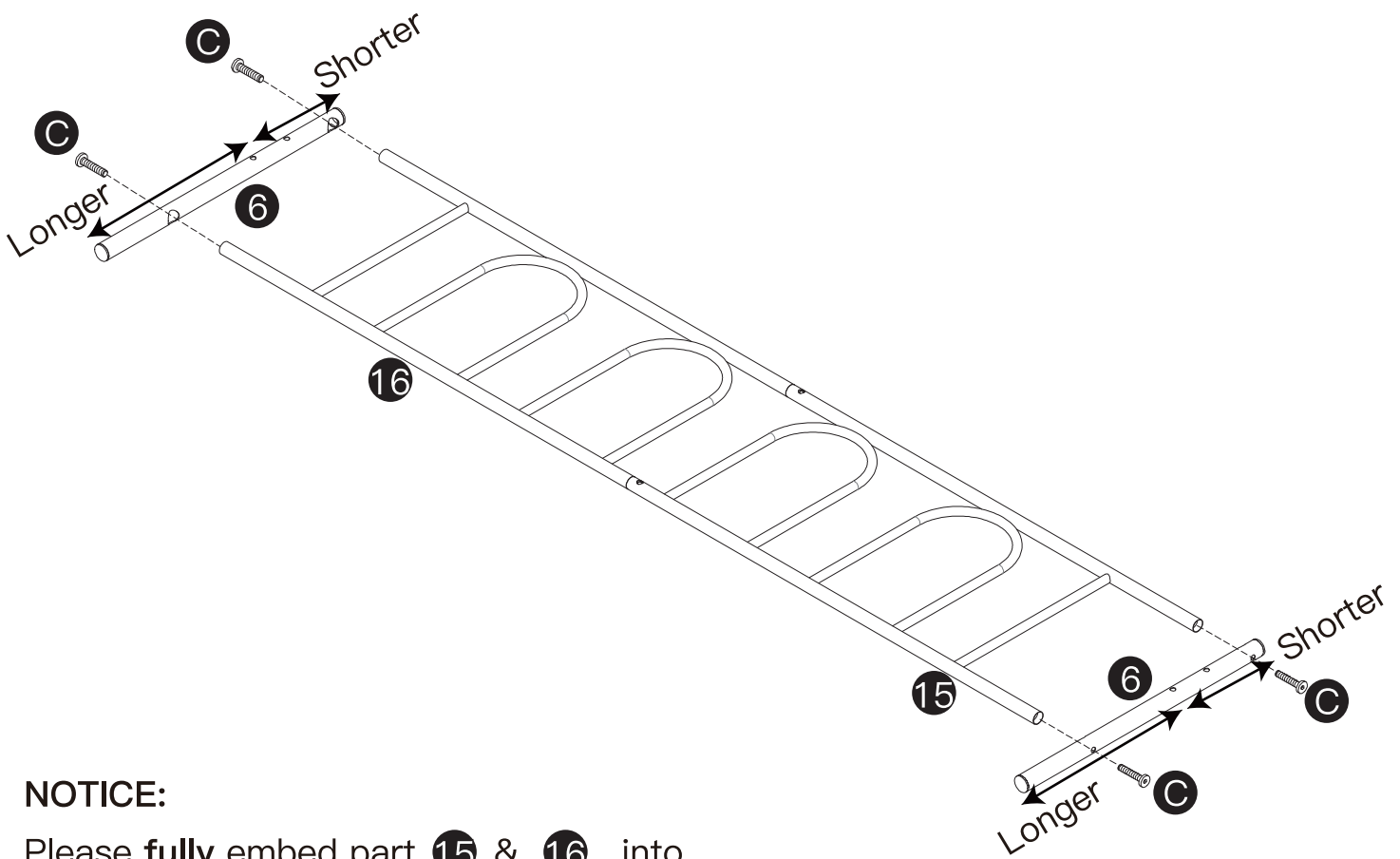
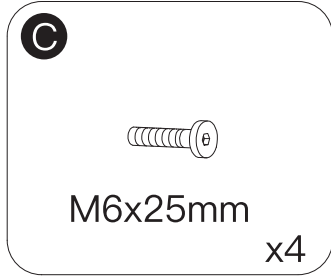
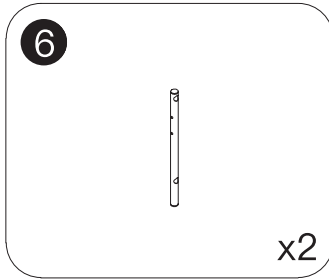
### NOTICE:

(1) Please **fully** embed part **11** & **12** into part **3** & **4** before installing the screws.

# STEP 3

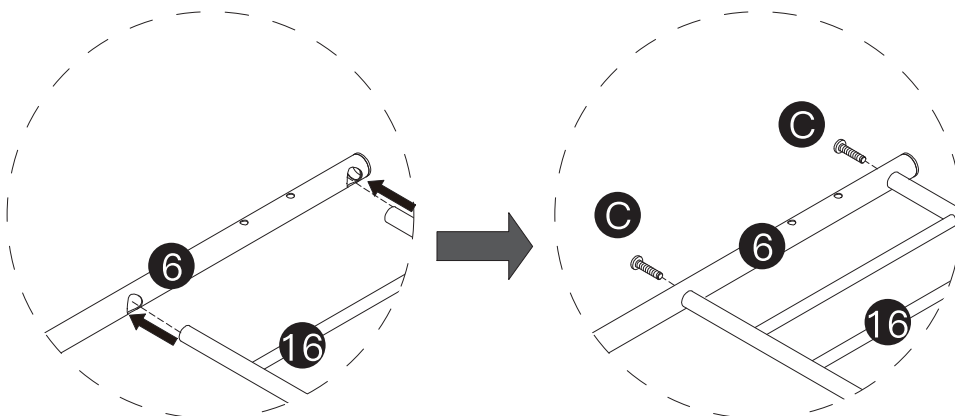


# STEP 4

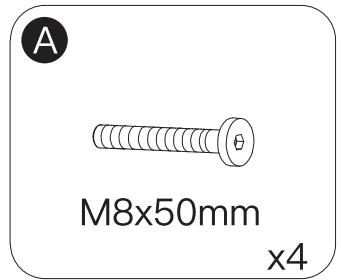
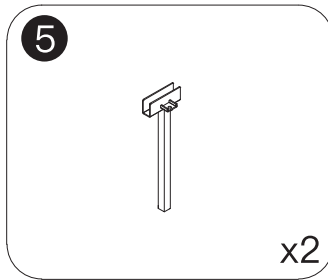
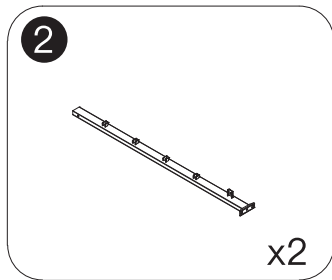
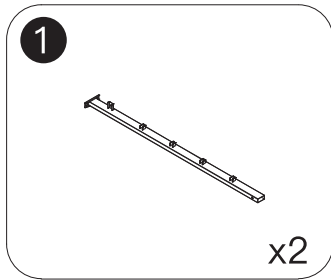


## NOTICE:

Please **fully** embed part 15 & 16 into part 6 before installing the screws.

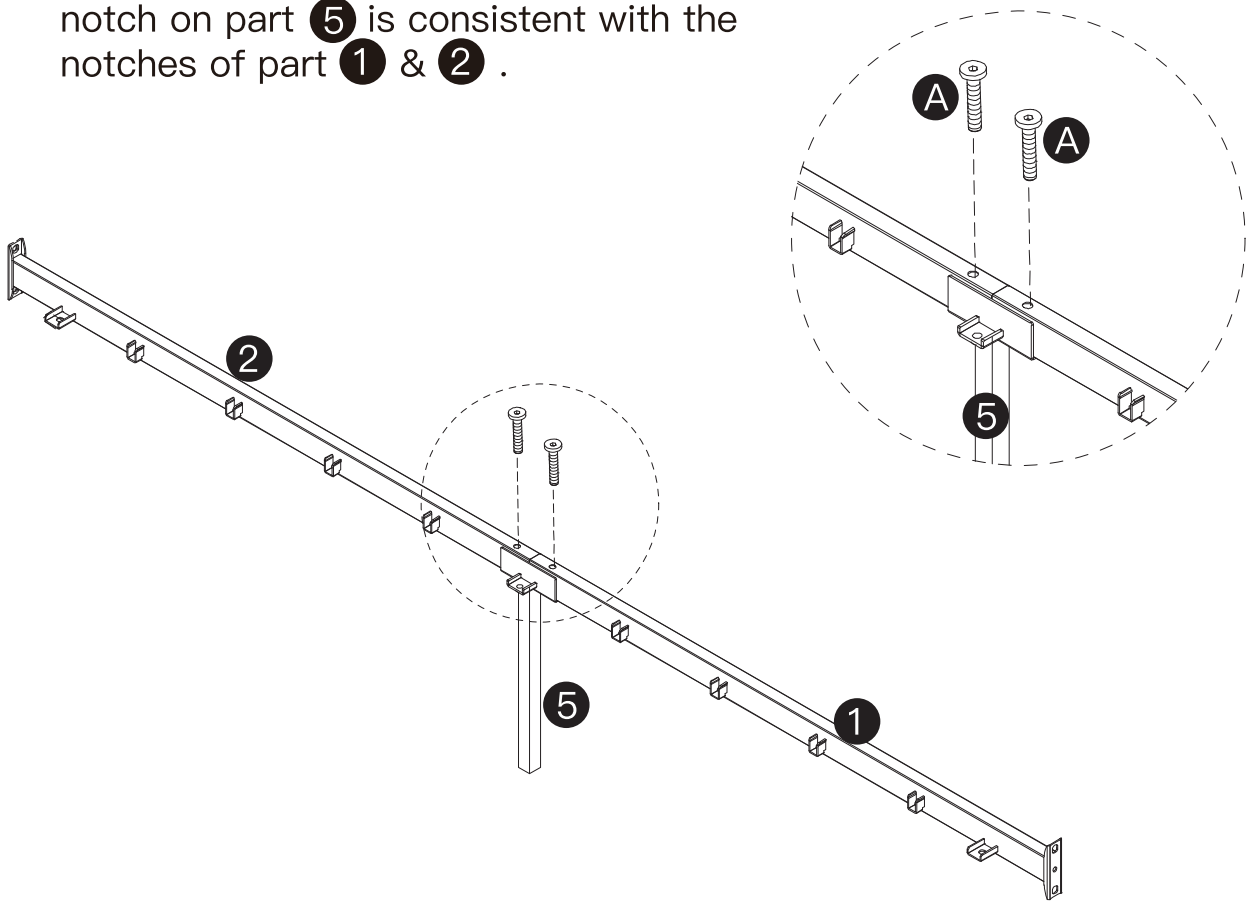


# STEP 5



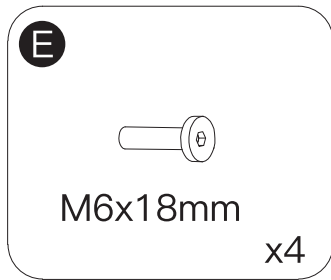
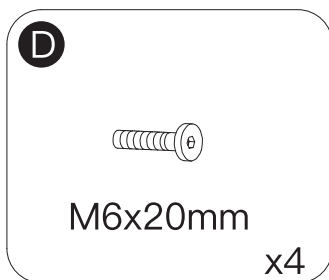
## NOTICE:

Please ensure that the orientation of the notch on part **5** is consistent with the notches of part **1** & **2**.

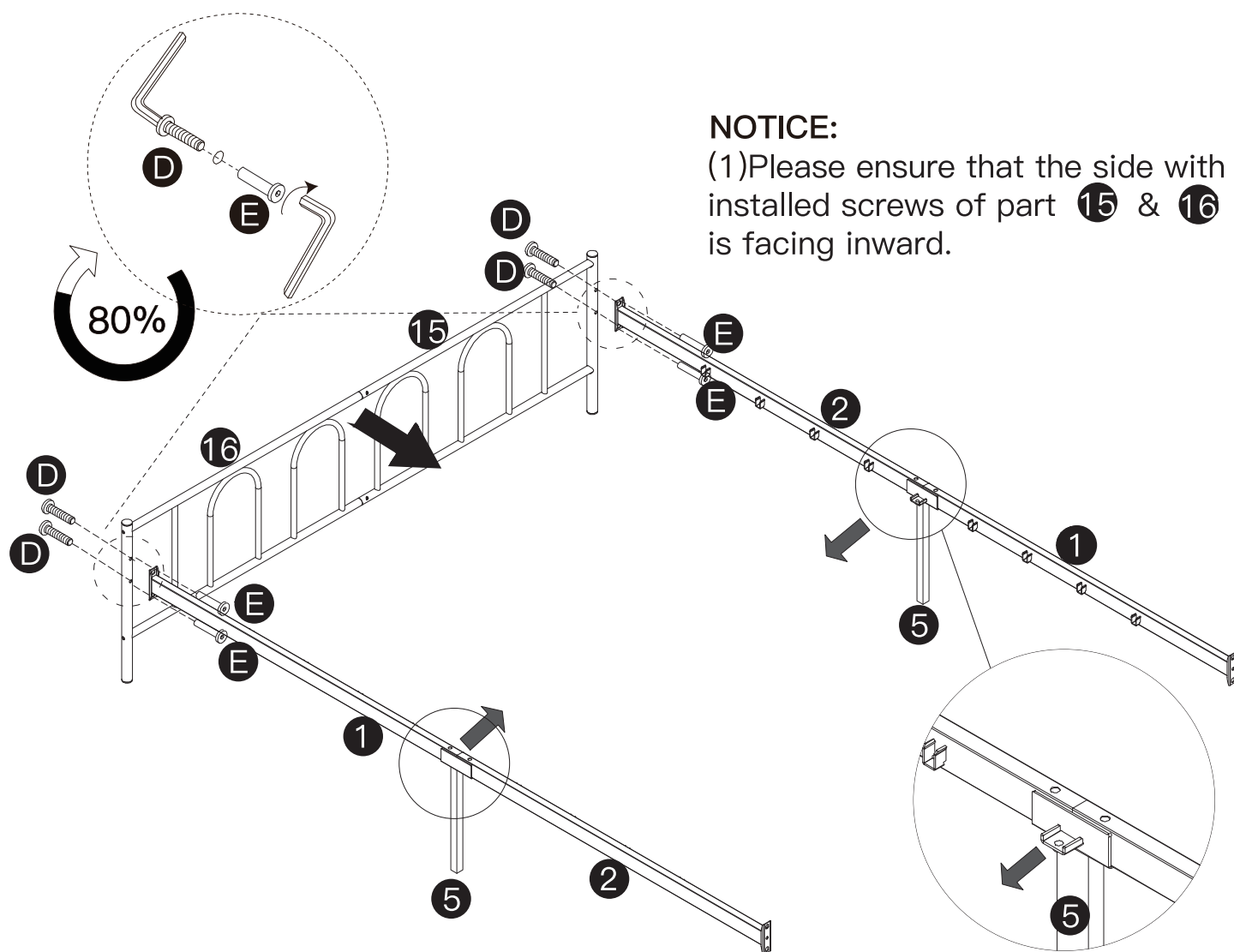


x2

# STEP 6



(3) Secure part **D** first with hex screwdriver, then lock it with part **E**.



(2) Please ensure that the notch of part **5** is facing inward.

(4) Please do not fully tighten the screws until Step 13 is completed.

# STEP 7

D



M6x20mm

x4

E

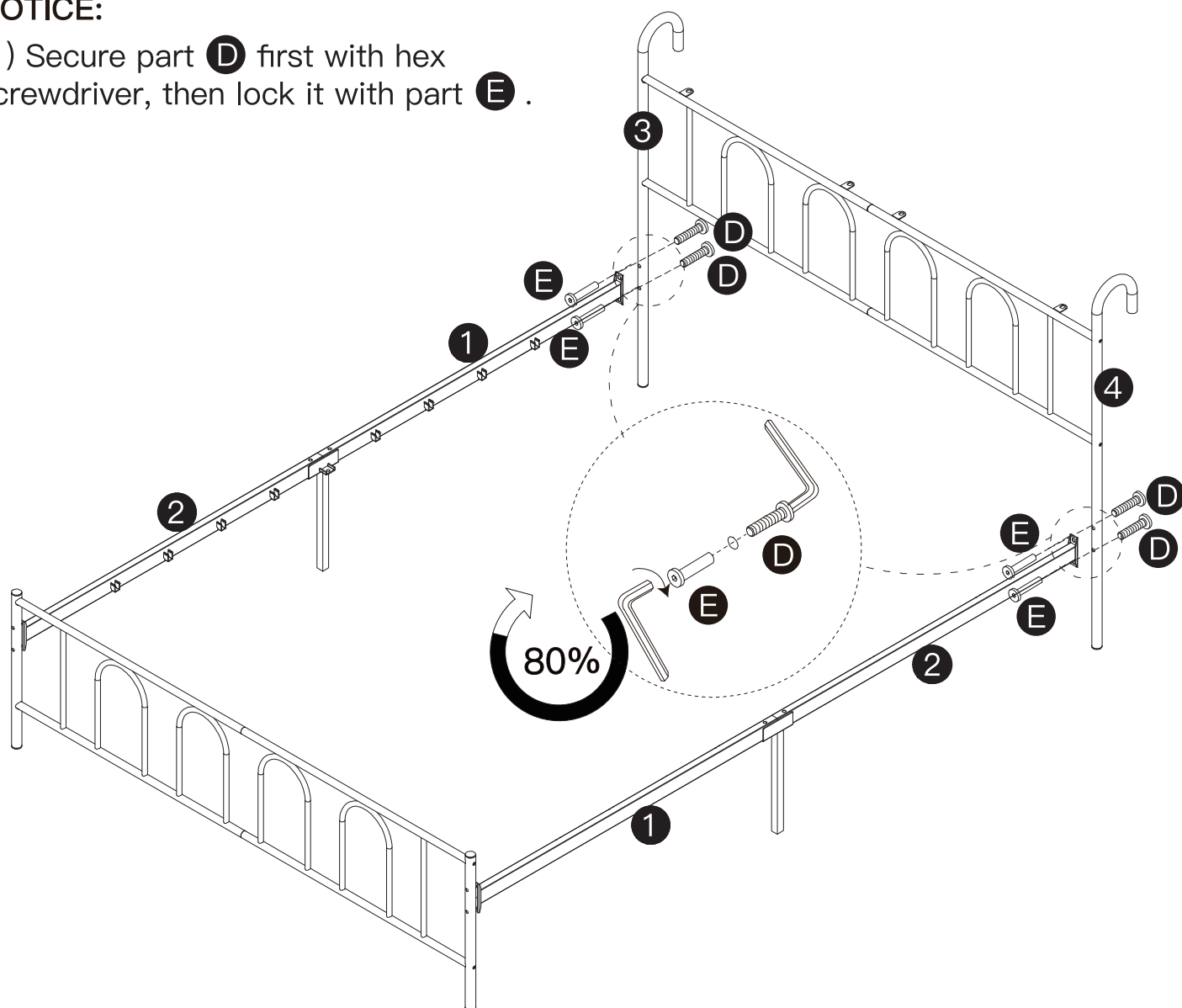


M6x18mm

x4

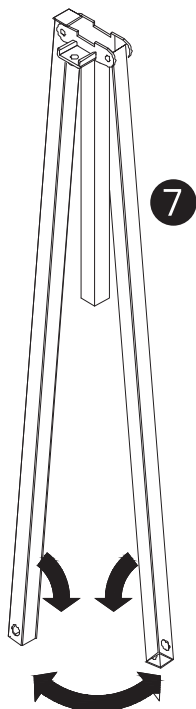
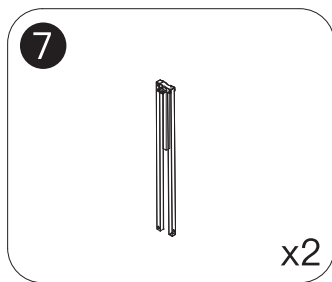
## NOTICE:

(1) Secure part **D** first with hex screwdriver, then lock it with part **E**.

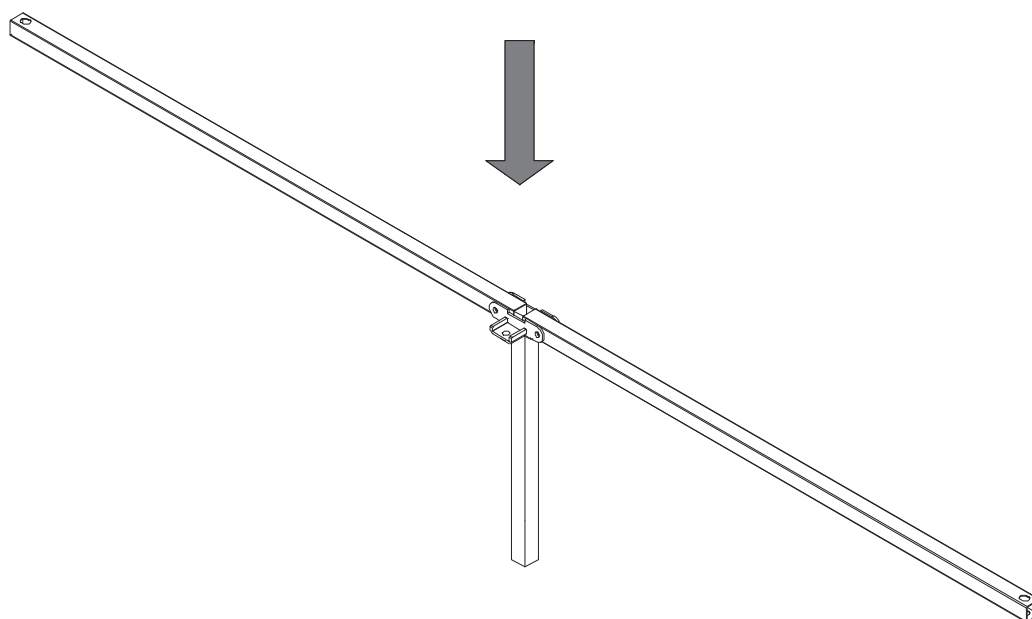


(2) Please do not fully tighten the screws until Step 13 is completed.

# STEP 8



**NOTICE:**  
To prevent getting caught, please  
be careful when unfolding.



x2

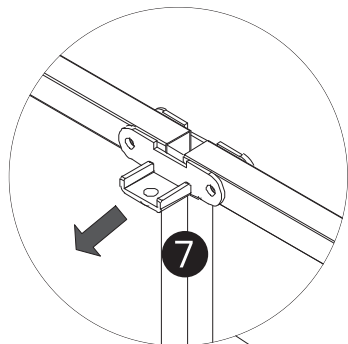
# STEP 9

**B**



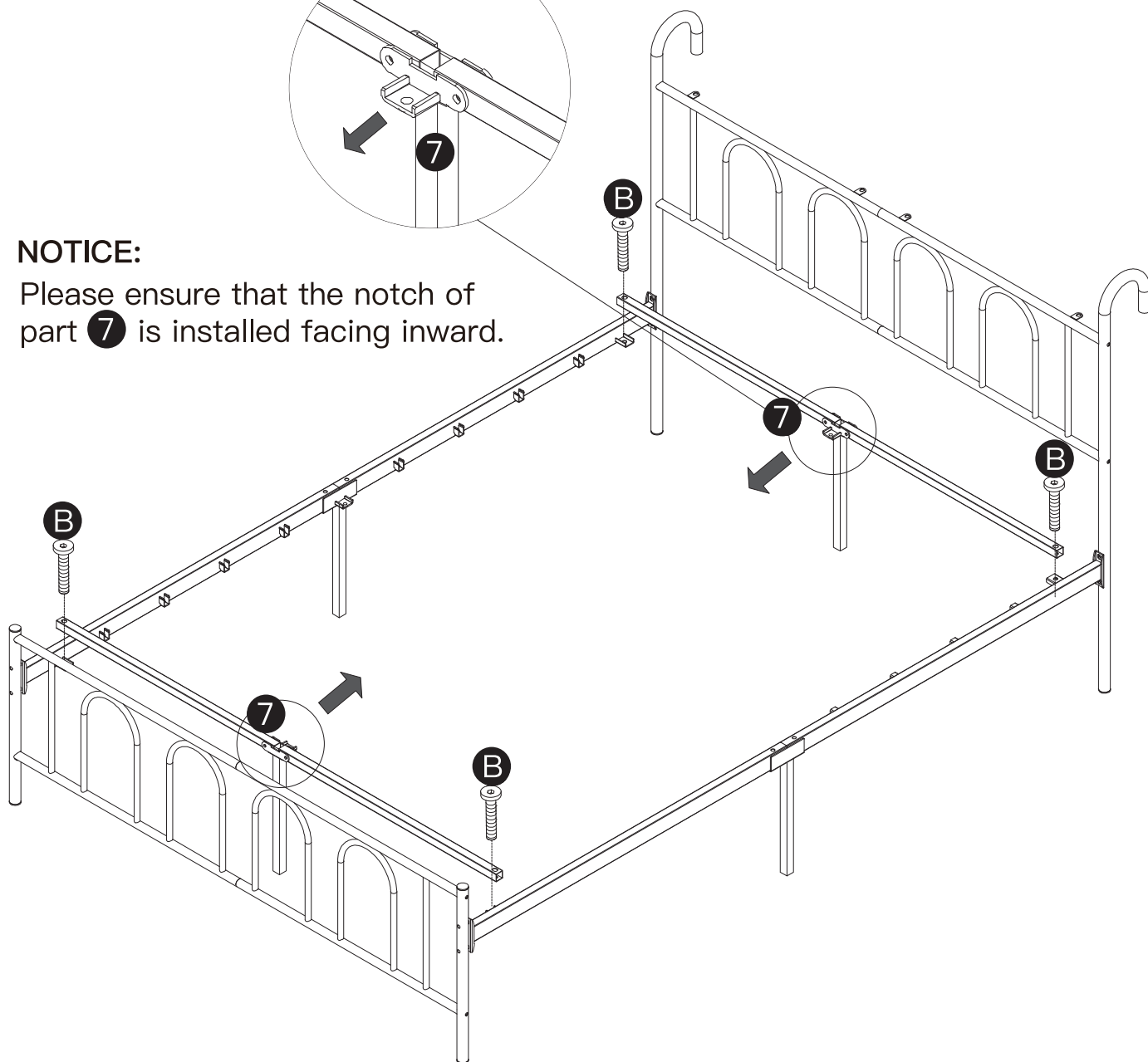
M8x30mm

x4

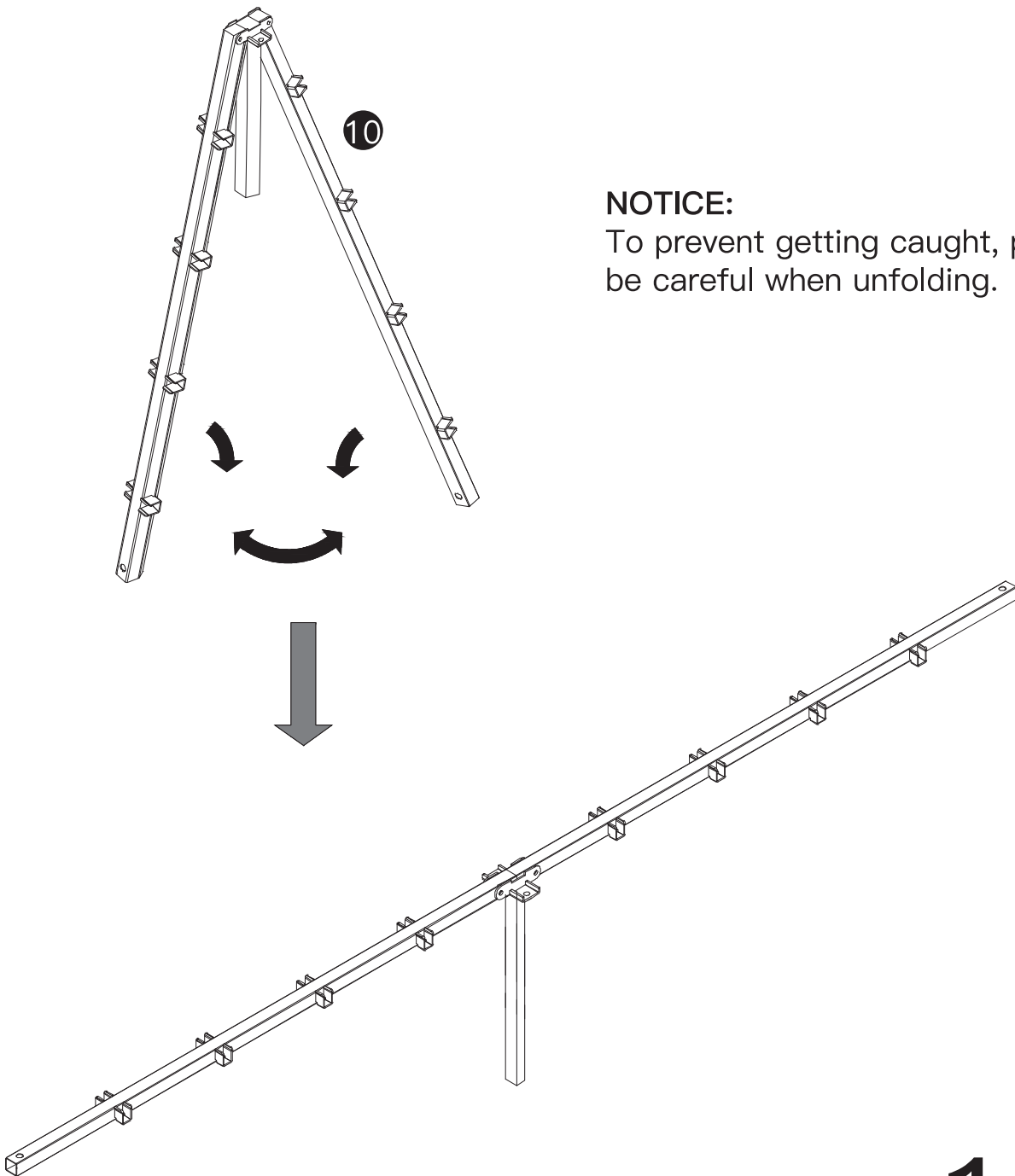
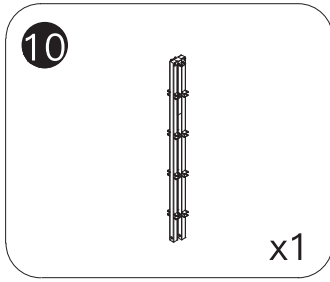


## NOTICE:

Please ensure that the notch of part **7** is installed facing inward.



# STEP 10



**NOTICE:**  
To prevent getting caught, please be careful when unfolding.

x1

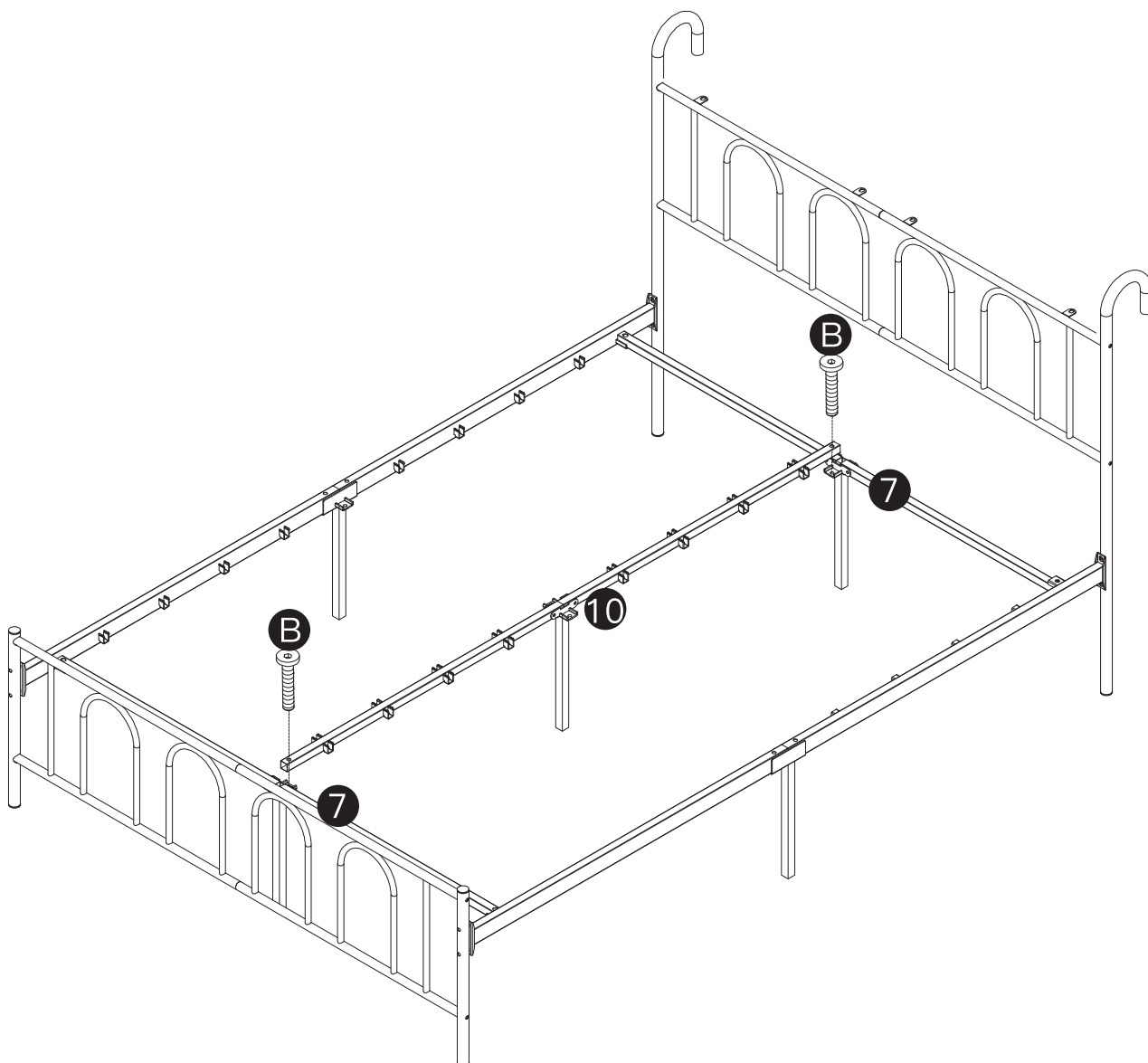
# STEP 11

**B**

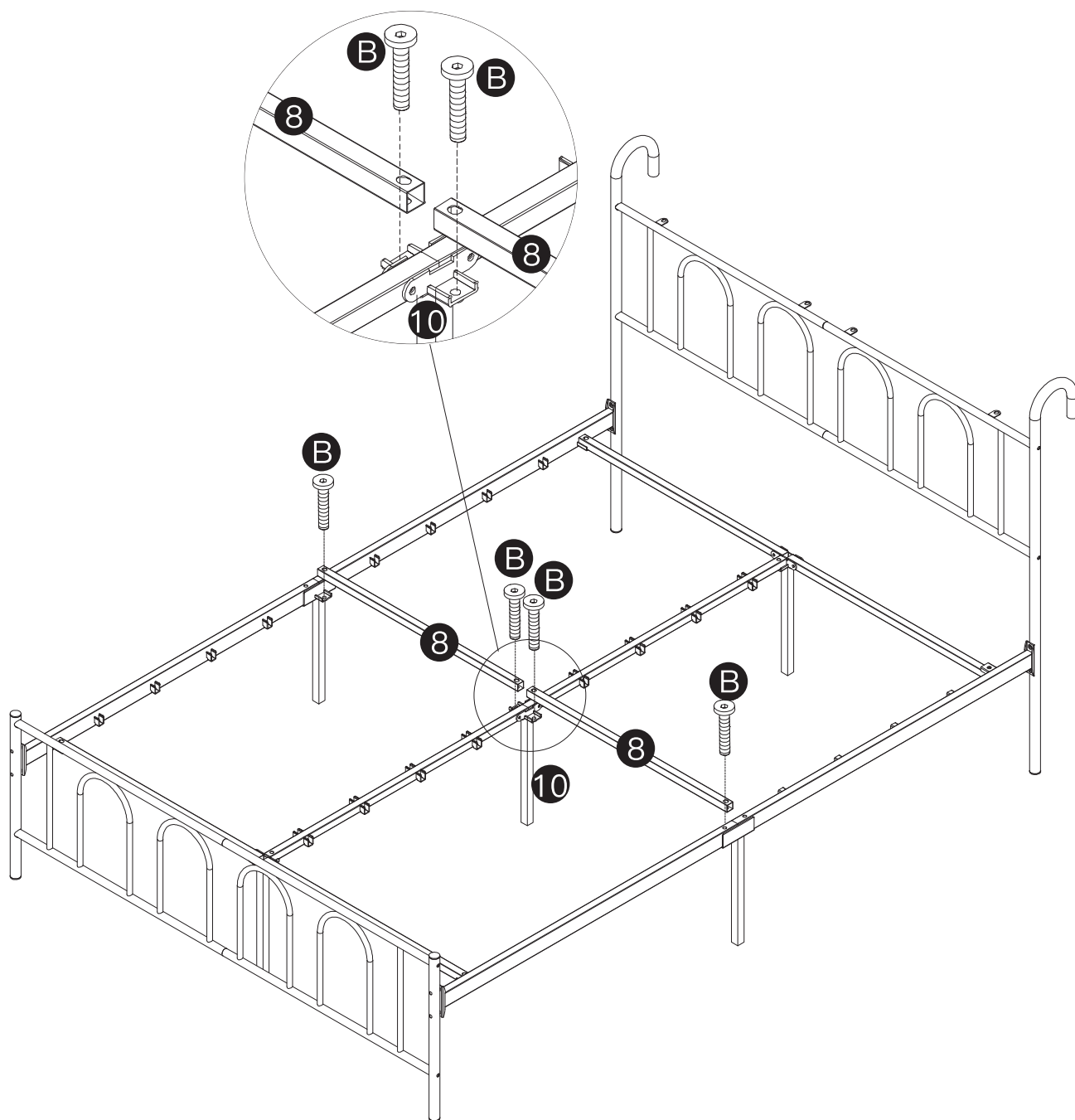
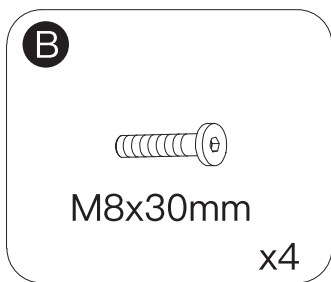
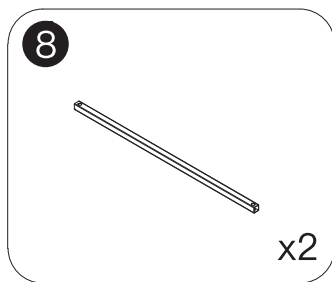


M8x30mm

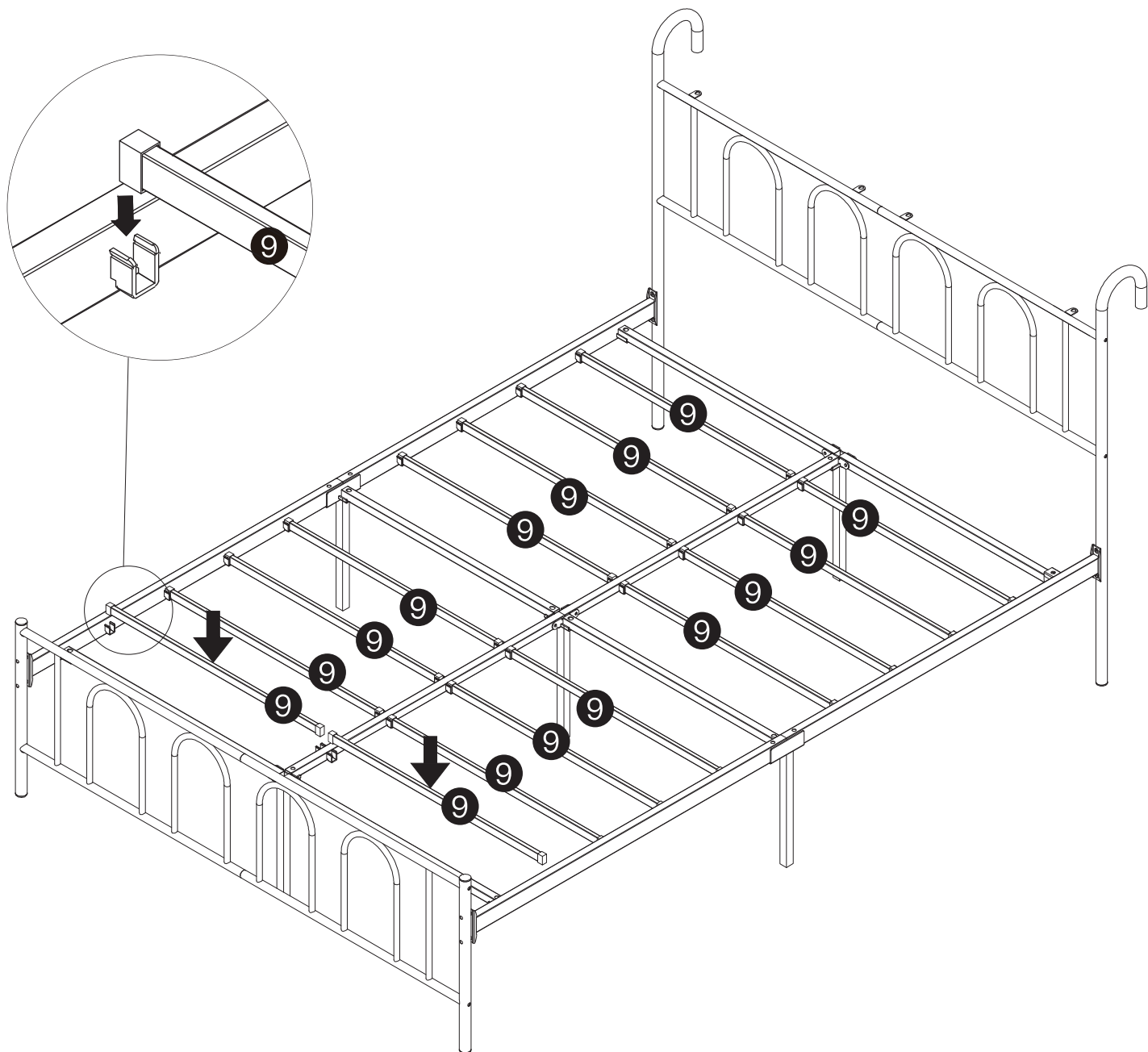
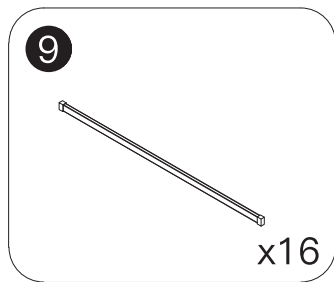
x2



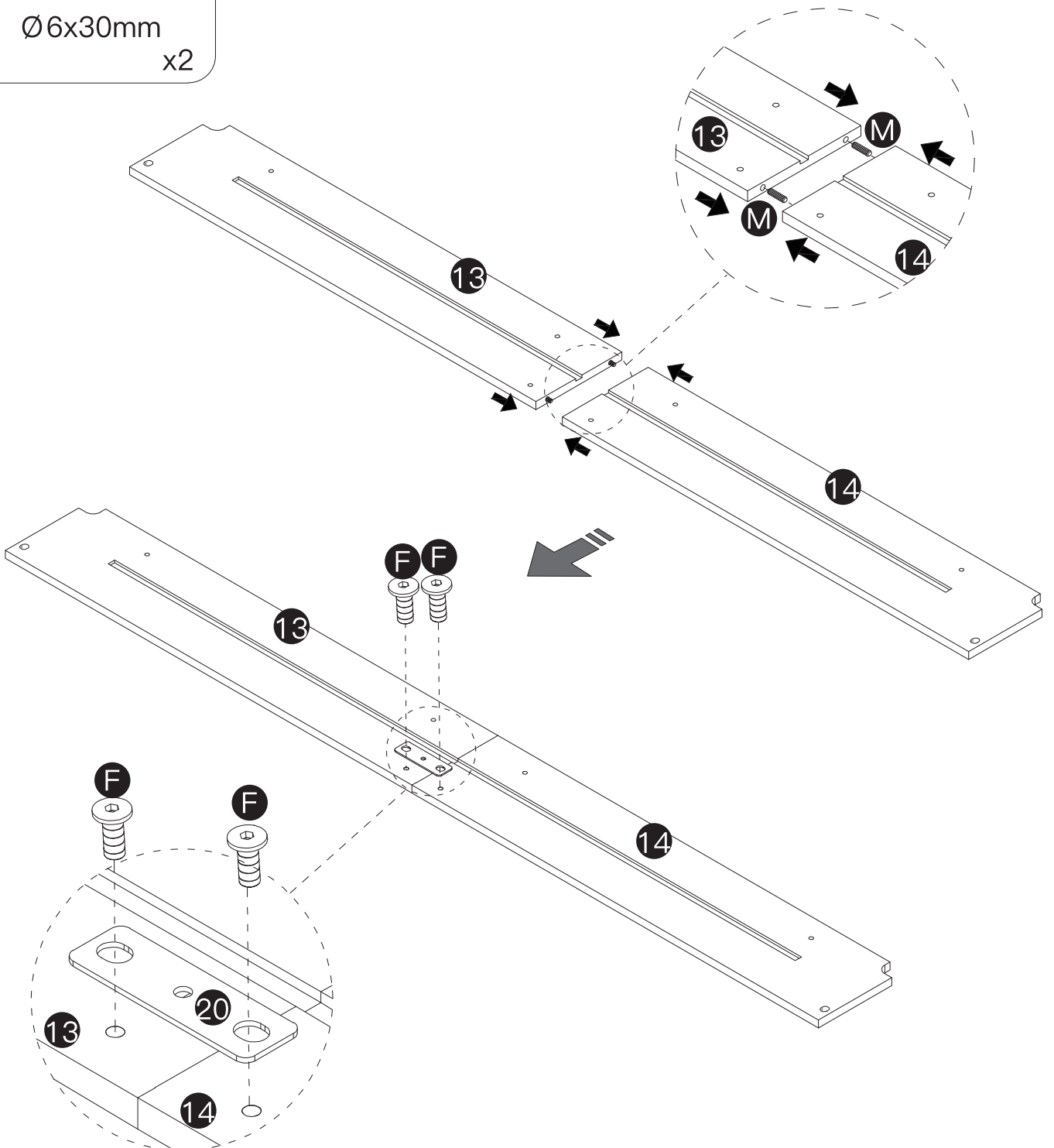
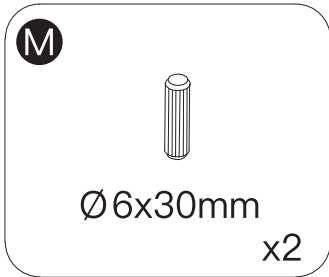
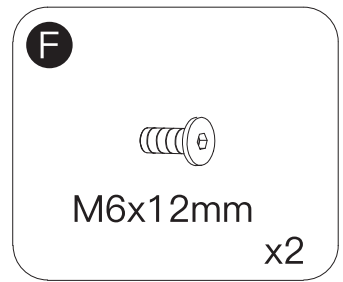
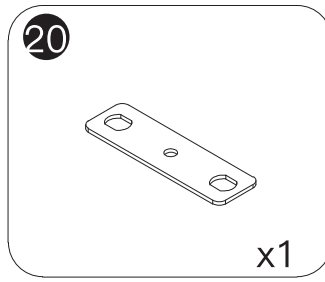
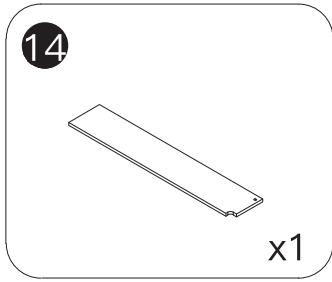
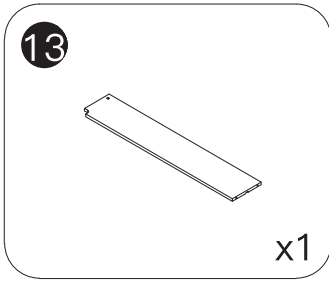
# STEP 12



# STEP 13

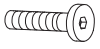


# STEP 14



# STEP 15

**C**



M6x25mm

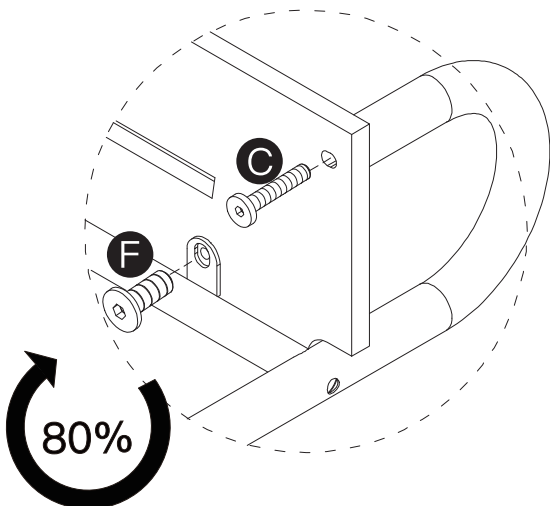
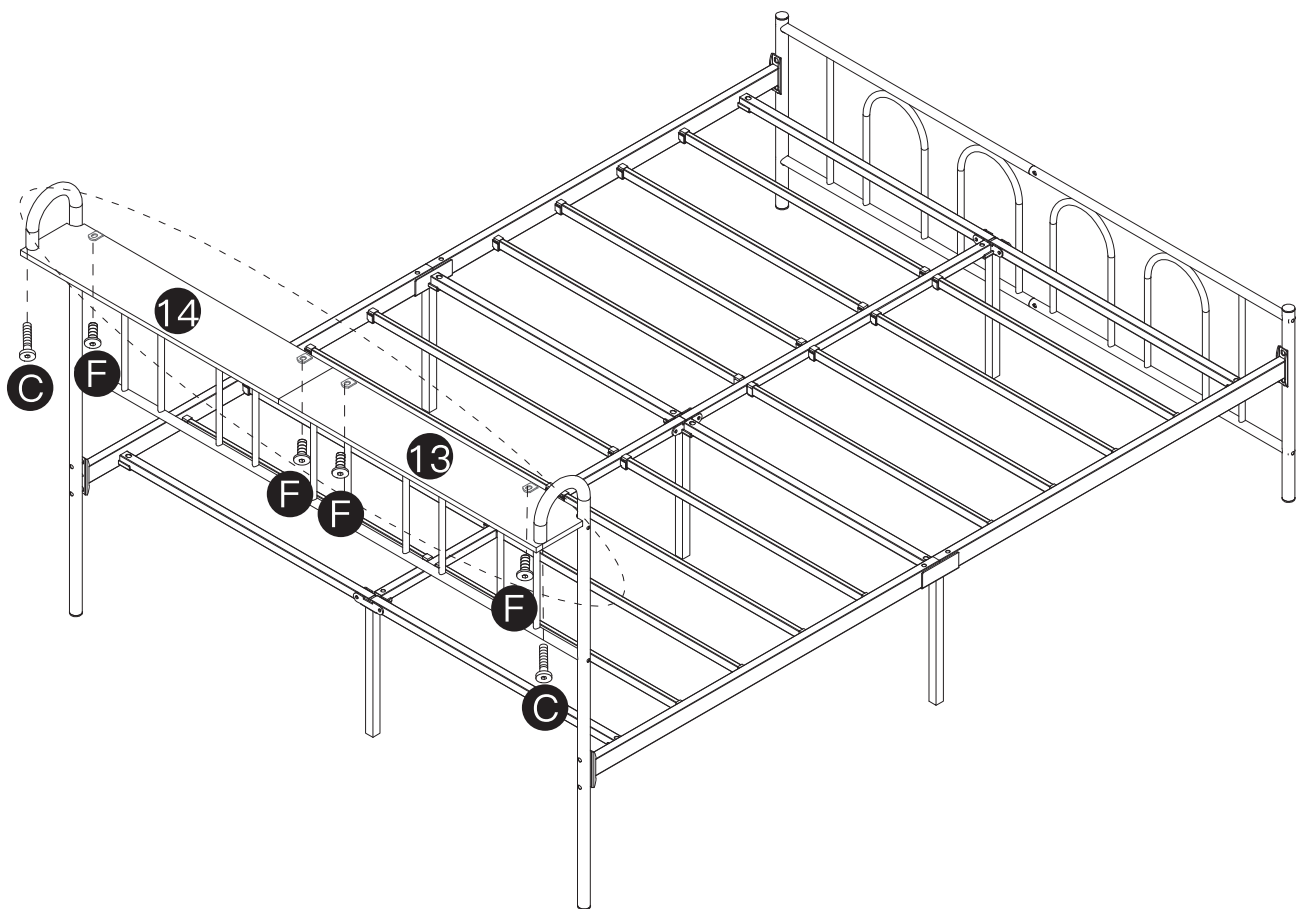
x2

**F**

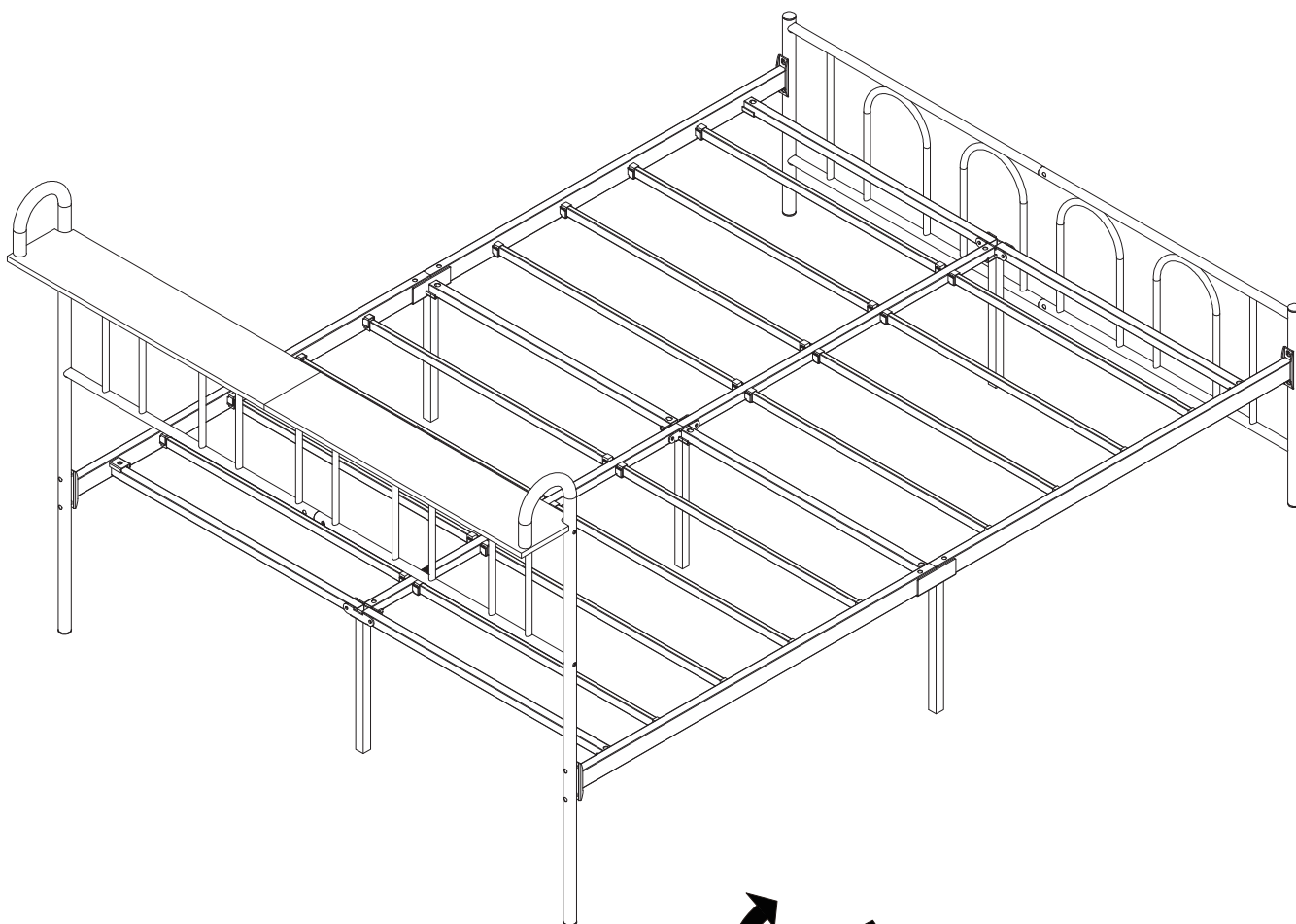


M6x12mm

x4

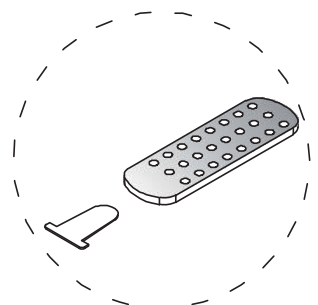
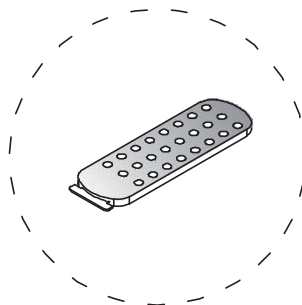
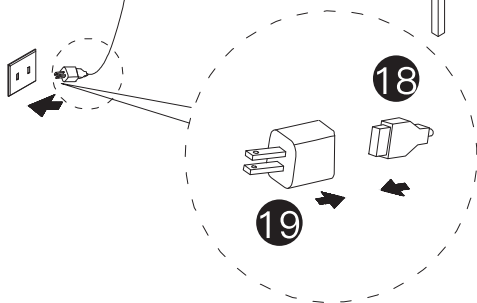
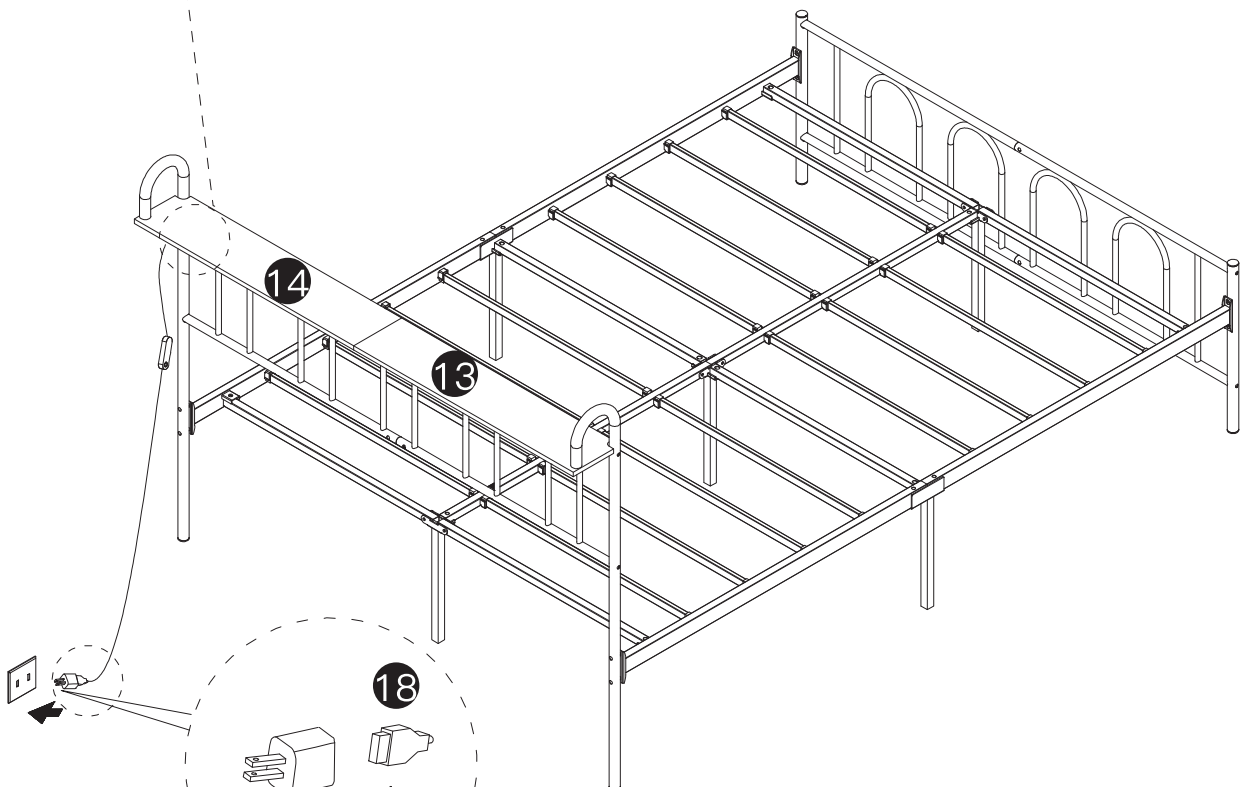
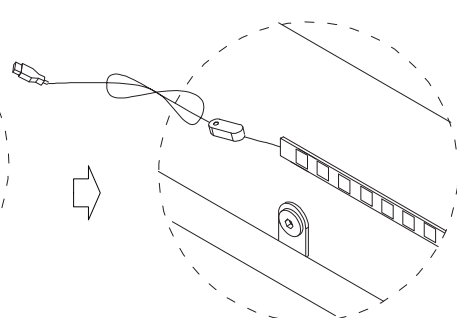
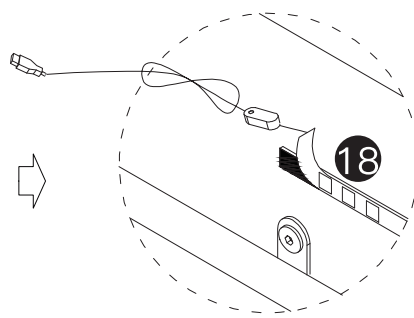
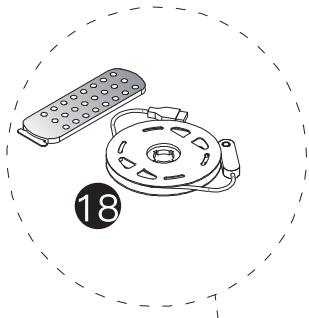
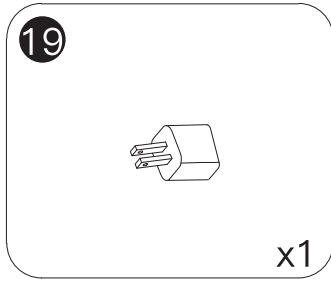
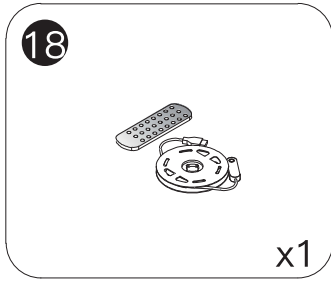


# STEP 16



**NOTICE:**  
Please tighten all screws in  
the step.

# STEP 17



Extract the insulation sheet

## After-Sale Support

**Dear Customer,**

Thank you for choosing to purchase our products! We attach great importance to your shopping experience and hope to ensure that you are satisfied with this purchase.

Should you have any questions, please contact us through the original purchase platform. We will reply your messages as soon as possible, please kindly wait for the response from our team.

Thank you again for your understanding and support! If you have any other questions, please feel free to contact us at any time.

Best Regards,  
After sales service team