
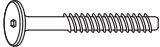

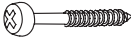


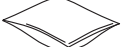


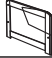










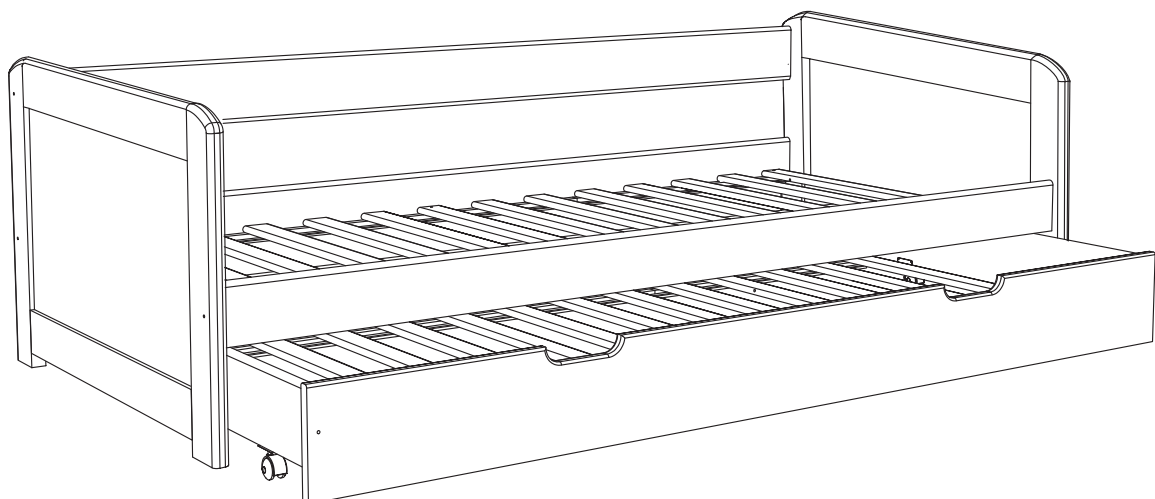
ASSEMBLY INSTRUCTIONS

Natalie Pine Panel Daybed

Avoid using sharp objects such as a knife to cut open packing as you may accidentally damage the item.

PARTS LIST

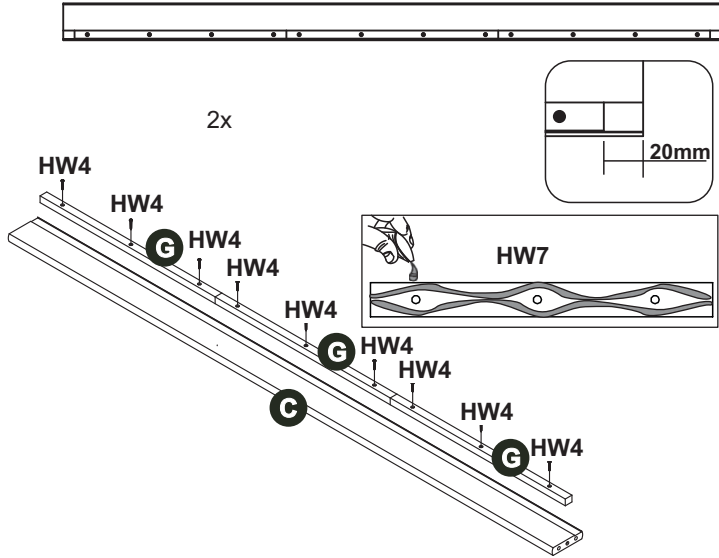
ITEM	DESCRIPTION	SKETCH	QUANTITY
HW1	Dowel : 10x40mm		20x
HW2	Screw : 7,0x70mm		6x
HW3	Screw : 7,0x50mm		4x
HW4	Screw : 4,0x30mm		48x
HW5	Allen Key		1x
HW6	Casters		4x
HW7	Glue 20gr		2x
HW8	Screw : 3,5x16mm		16x
A	Headboard Right		1x
B	Headboard Left		1x
C	Side Rails		2x
D	Rear Trundle Bed		1x
E	Trundle Bed Front		1x
F	Trundle Bed Sides		2x
G	Bed Base Support		6x
H	Trundle Bed Support		6x
I	Slat		2x
J	Safety Side Rail		1x



ASSEMBLY INSTRUCTIONS

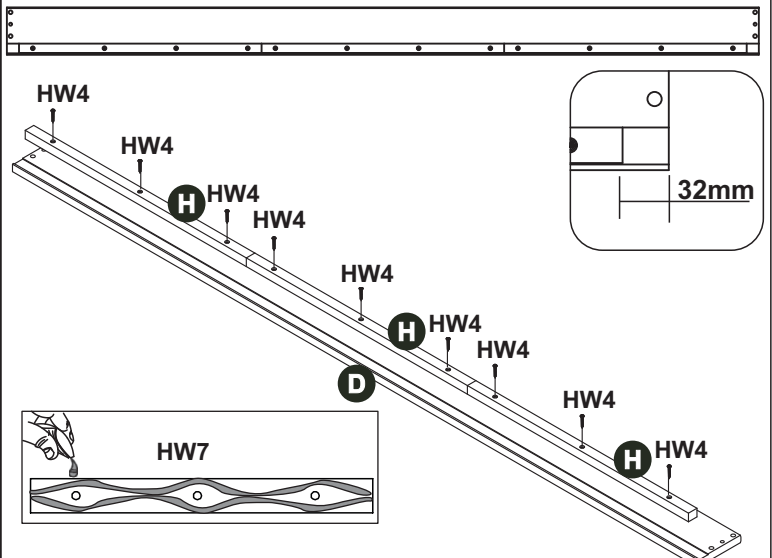
Do not fully tighten bolts until assembly is complete.

Step 1



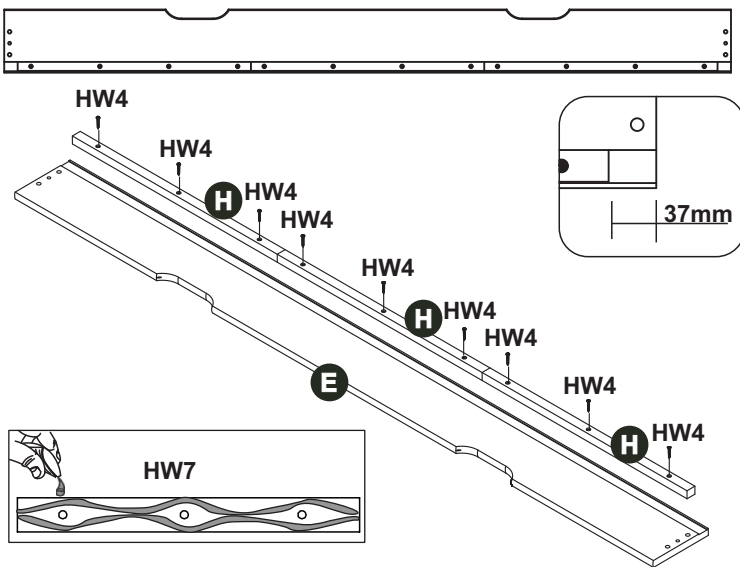
Step 1: Join parts C and G with hardware HW4 and HW7

Step 2



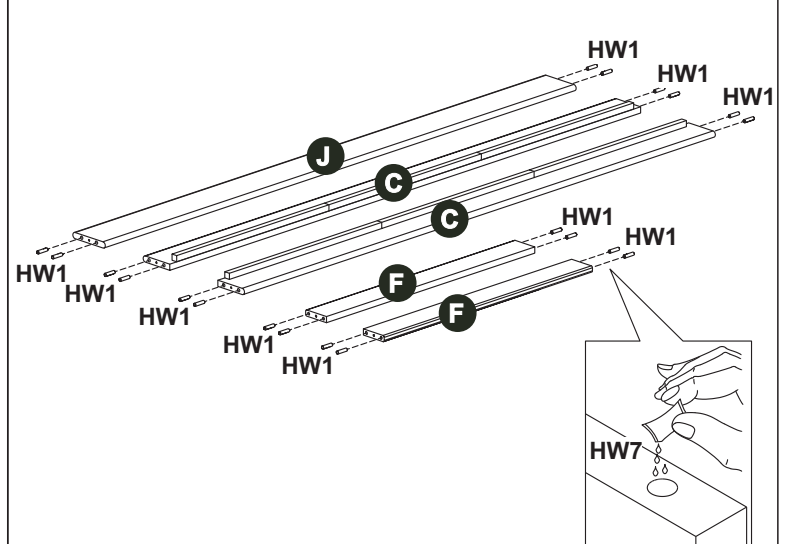
Step 2: Join parts D and H with hardware HW4 and HW7

Step 3



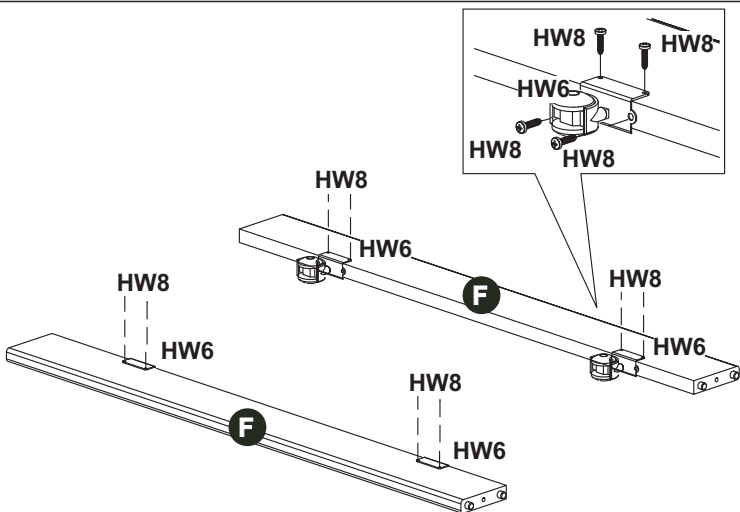
Step 3: Join parts E and H with hardware HW4 and HW7

Step 4



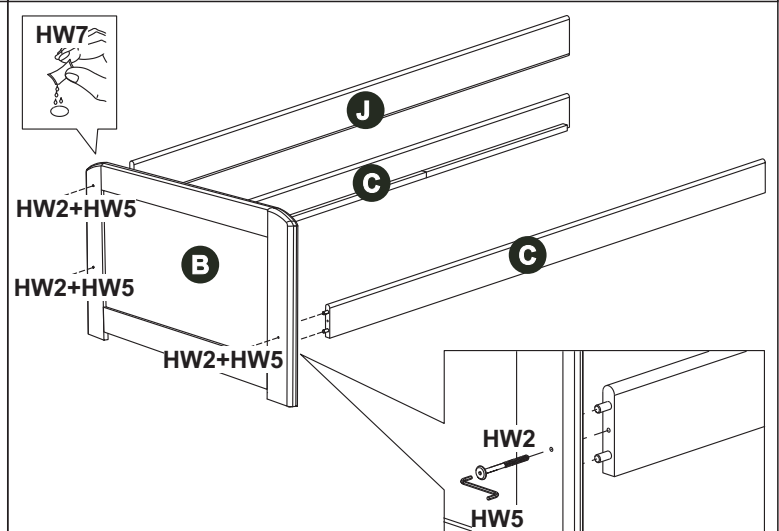
Step 4: Fit the hardware HW1 and HW7 to the parts C, F and J

Step 5



Step 5: Apply HW6 and HW8 hardware in parts F

Step 6

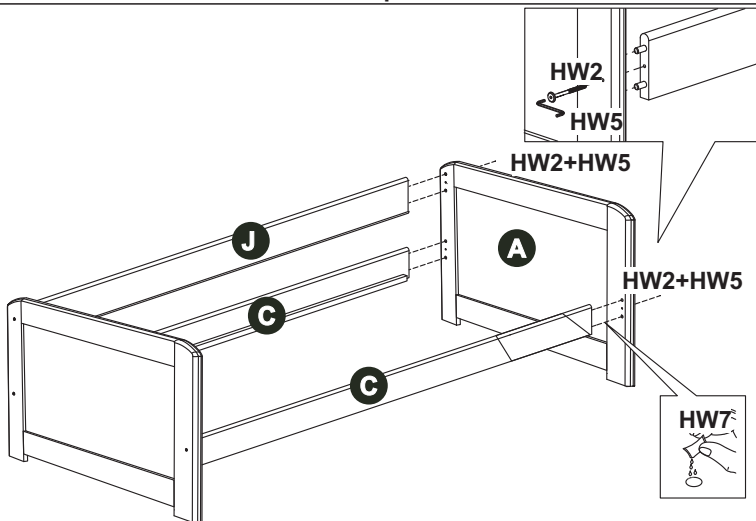


Step 6: Join parts B, C and J with HW2, HW5 and HW7 hardware

ASSEMBLY INSTRUCTIONS

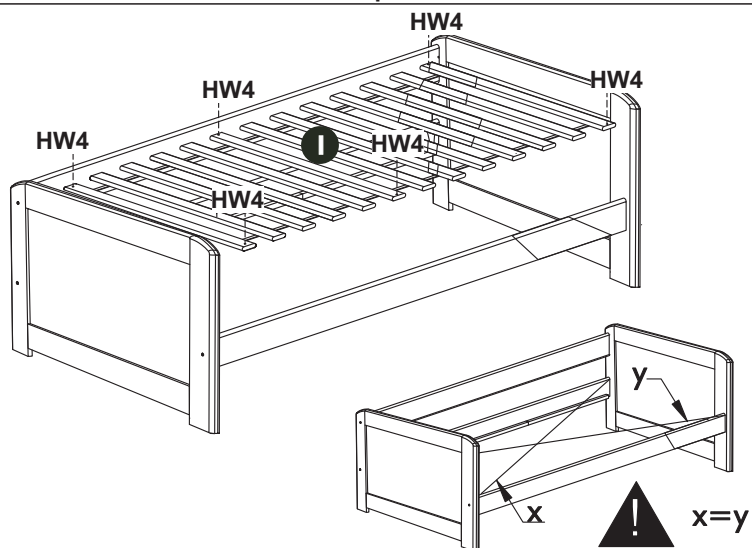
Do not fully tighten bolts until assembly is complete.

Step 7



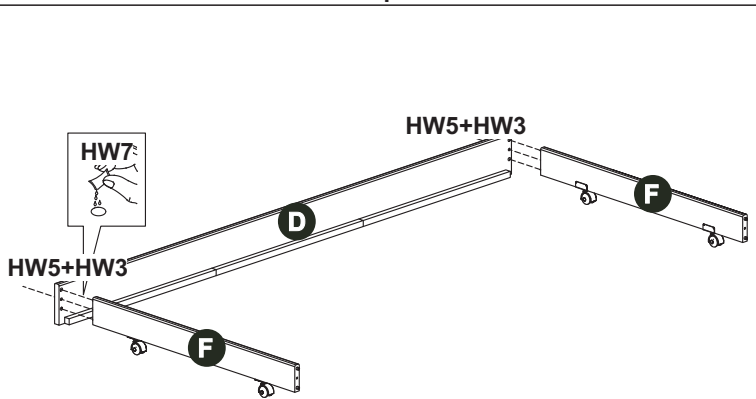
Step 7: Join parts A, C and J with HW2, HW5 and HW7 hardware

Step 8



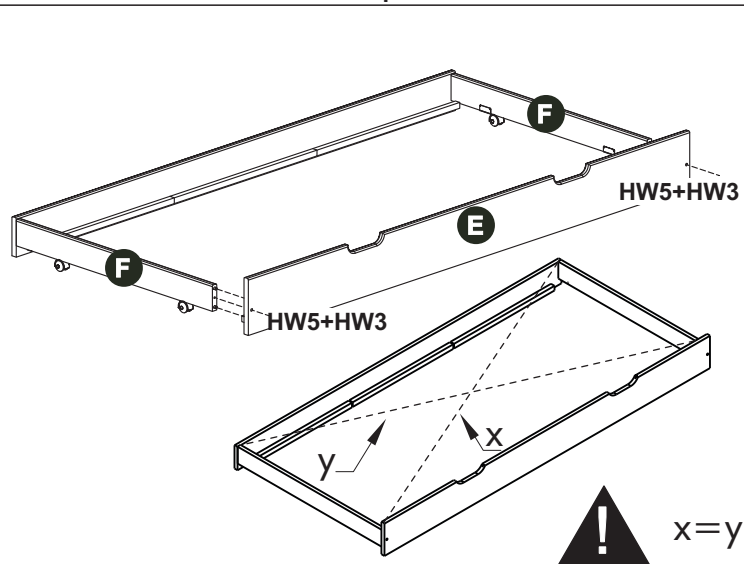
Step 8: Join parts I with HW4 hardware

Step 9



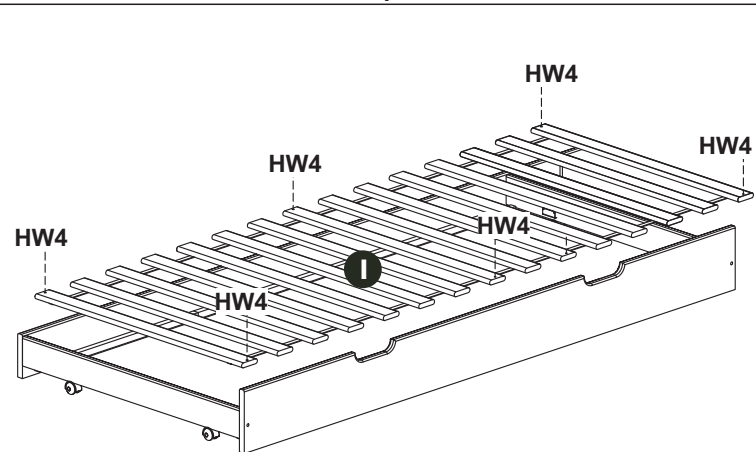
Step 9: Join parts D and F with HW3 and HW5 hardware

Step 10



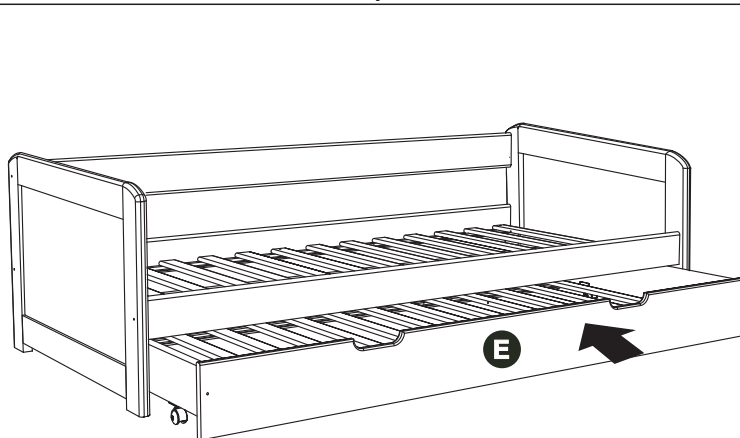
Step 10: Join parts E and F with HW3 and HW5 hardware

Step 11



Step 11: Join parts I with HW4 hardware

Step 12



Step 12: Fit the bed E

CLEANING INSTRUCTIONS: Clean with damp soft cloth.

ADULT ASSEMBLY REQUIRED

If you are missing any parts or have any questions regarding assembly, do not return this item to the retailers store. Please call our toll-free, customer service number and have this assembly manual open to the parts list ready to provide the model name, number and part name or number.

