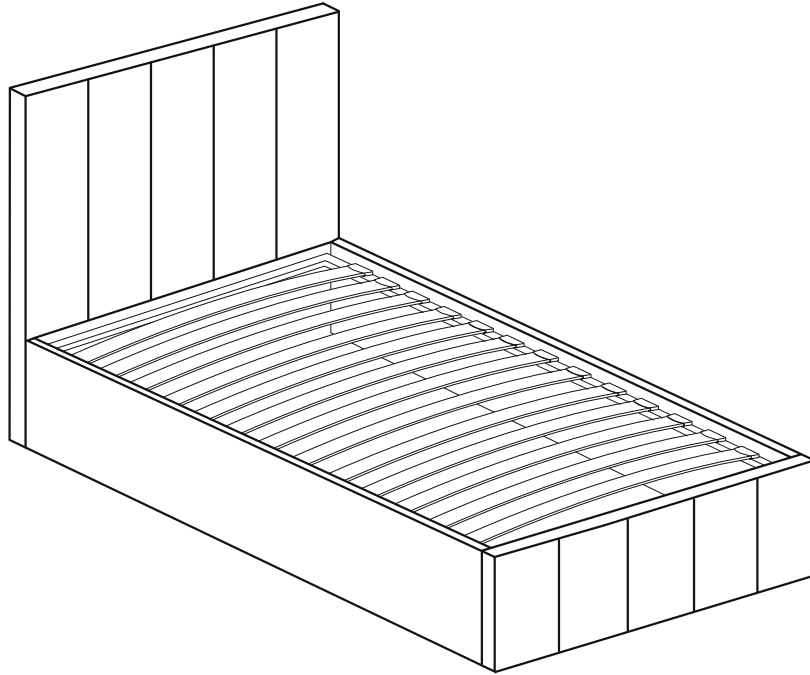


ASSEMBLY INSTRUCTIONS

33-3ft Single



IMPORTANT PLEASE READ BEFORE YOU CONTINUE FURTHER

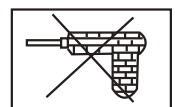
THE PRODUCT YOU HAVE PURCHASED WILL GIVE YOU MANY YEARS OF SERVICE IF YOU FOLLOW THE GUIDELINES FOR ITS SAFE ASSEMBLY AND PERIODIC MAINTENANCE AND CLEANING

DO NOT FOR ANY REASON USE A POWER TOOL TO ASSEMBLE THIS PRODUCT. ITS USE WILL INVALIDATE ANY CLAIM YOU MAY HAVE AND COULD MAKE THIS PRODUCT UNSAFE.
















DEPENDING ON THE AMOUNT OF USE THIS PRODUCT RECEIVES MAY BE NECESSARY TO TIGHTEN UP THE FIXNGS FROM TIME TO TIME. THIS IS COMPLETELY NORMAL FOR ANY FLAT PACK FURNITURE

FOR CLEANING USE A DAMP CLOTH(NOT WET) OR DRY DUSTER.

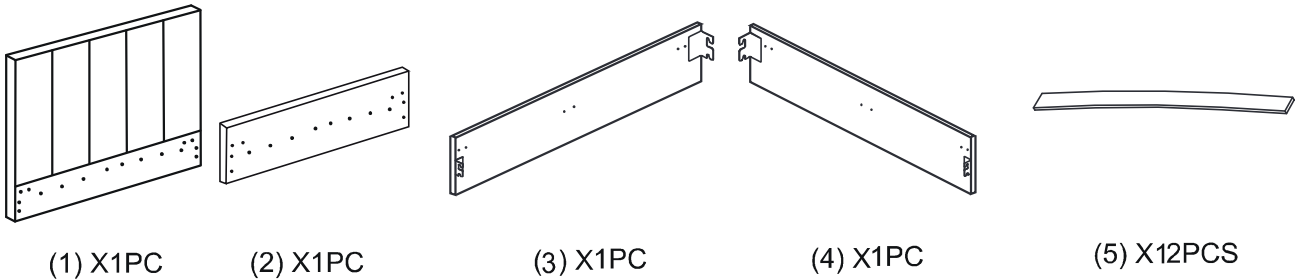
USE OF POWER TOOLS TO ASSEMBLE THIS PRODUCT WILL INVALIDATE ANY CLAIM AND MAY DAMAGE THIS PRODUCT MAKING IT UNSAFE.



HARDWARE LIST

REF		HARDWARE NAME	QTY
A		M8*25 BOLT	20PCS
B			12 PCS
C		M8*40 BOLT	14 PCS
D		SPRING WASHER	8 PCS
E		FLAT WASHER M8	30 PCS
F		NUT	6 PCS
G		ALLEN KEY	1 PC
H		OPEN SPANNER	1 PC
I			4 PCS
J		PROTECTIVE PAD	4 PCS
K		M6*10 BOLT	8 PCS
L		FLAT WASHER M6	8 PCS
M			2PCS
N			1 PC
O		PROTECTIVE PAD	1 PC

PART LIST



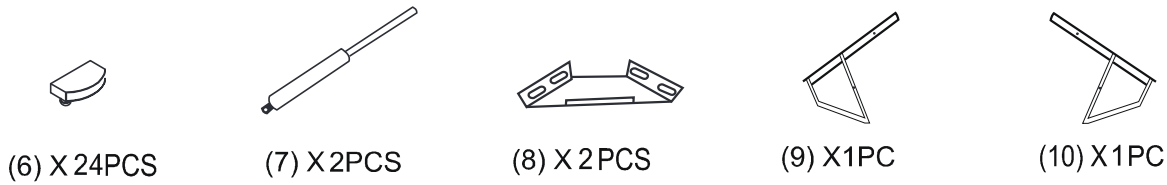
(1) X1PC

(2) X1PC

(3) X1PC

(4) X1PC

(5) X12PCS



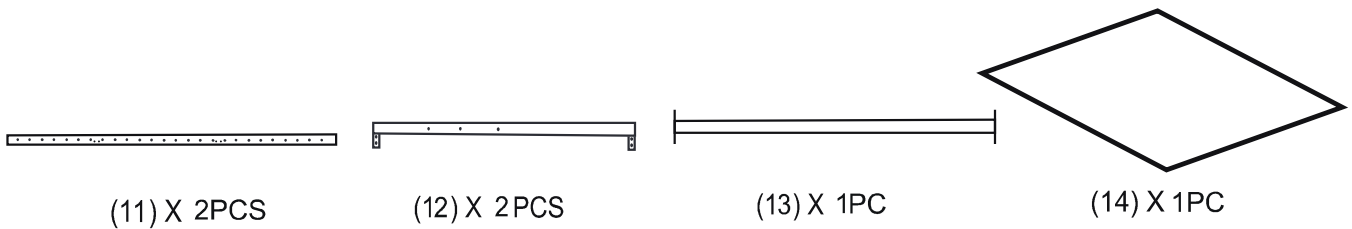
(6) X24PCS

(7) X2PCS

(8) X2PCS

(9) X1PC

(10) X1PC



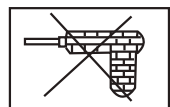
(11) X2PCS

(12) X2PCS

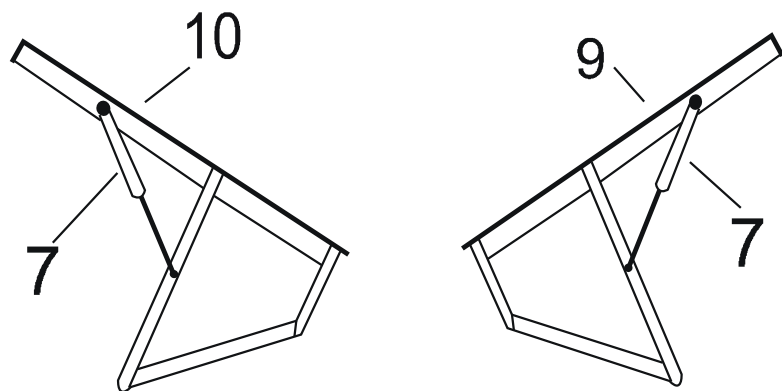
(13) X1PC

(14) X1PC

USE OF POWER TOOLS TO ASSEMBLE THIS PRODUCT WILL INVALIDATE ANY CLAIM AND MAY DAMAGE THIS PRODUCT MAKING IT UNSAFE.

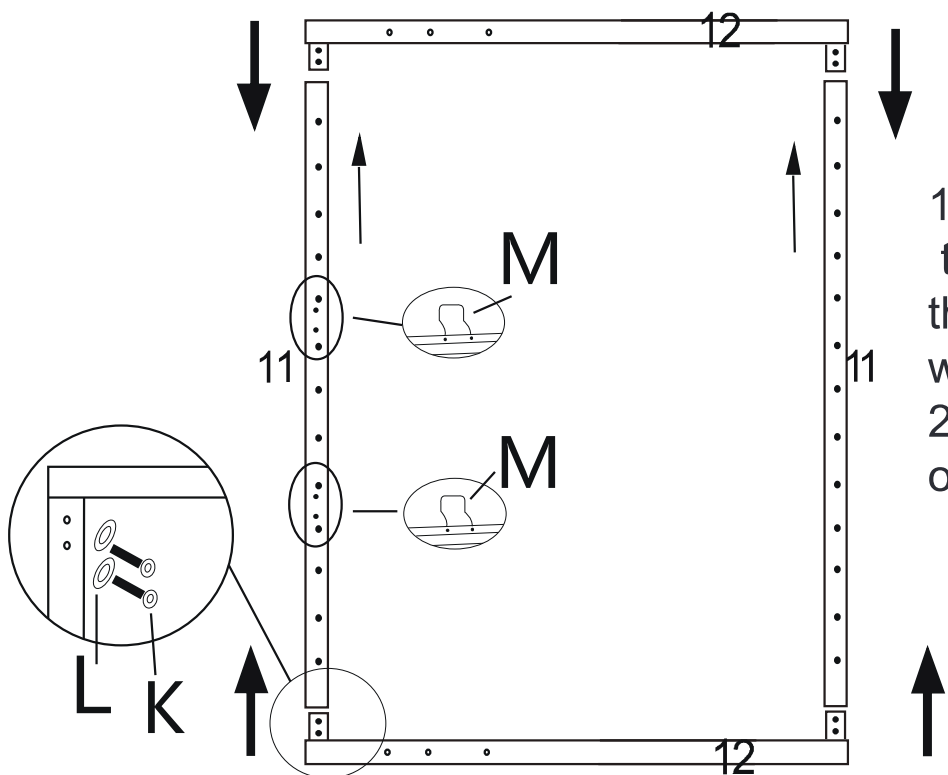


STEP 1



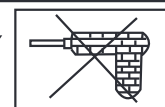
Assemble the metal bar 7 to the gas lifting frame 9 and 10

STEP 2

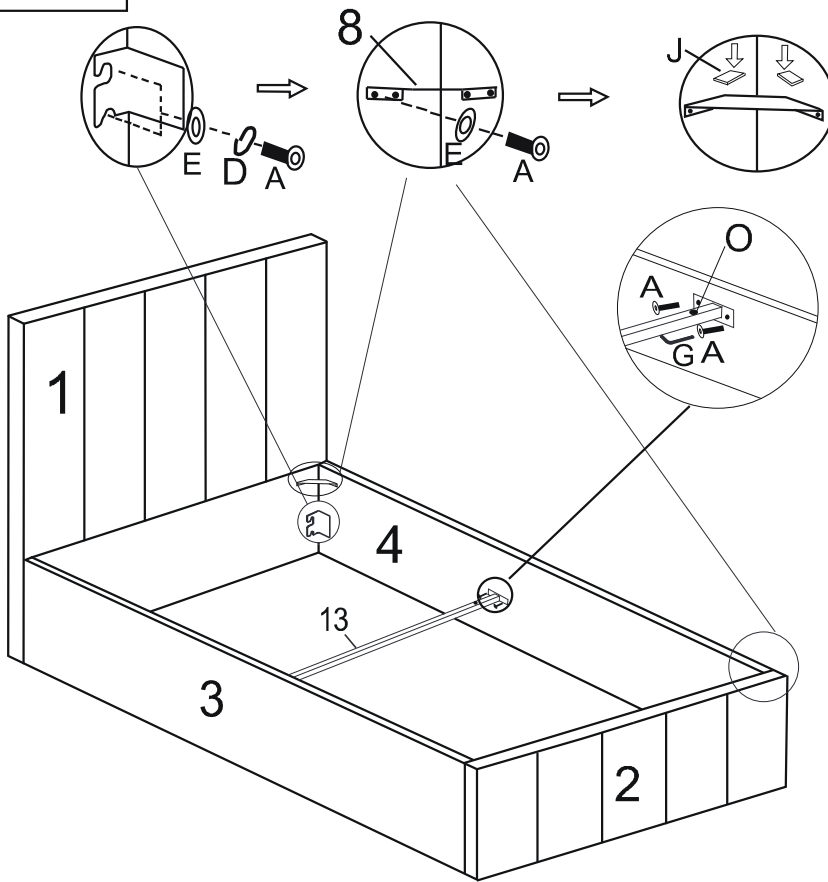


- 1. Assemble part 11 to part 12, use the bolt K and flat washer L
- 2. Put two Part M on the siderails 11

USE OF POWER TOOLS TO ASSEMBLE THIS PRODUCT WILL INVALIDATE ANY CLAIM AND MAY DAMAGE THIS PRODUCT MAKING IT UNSAFE.

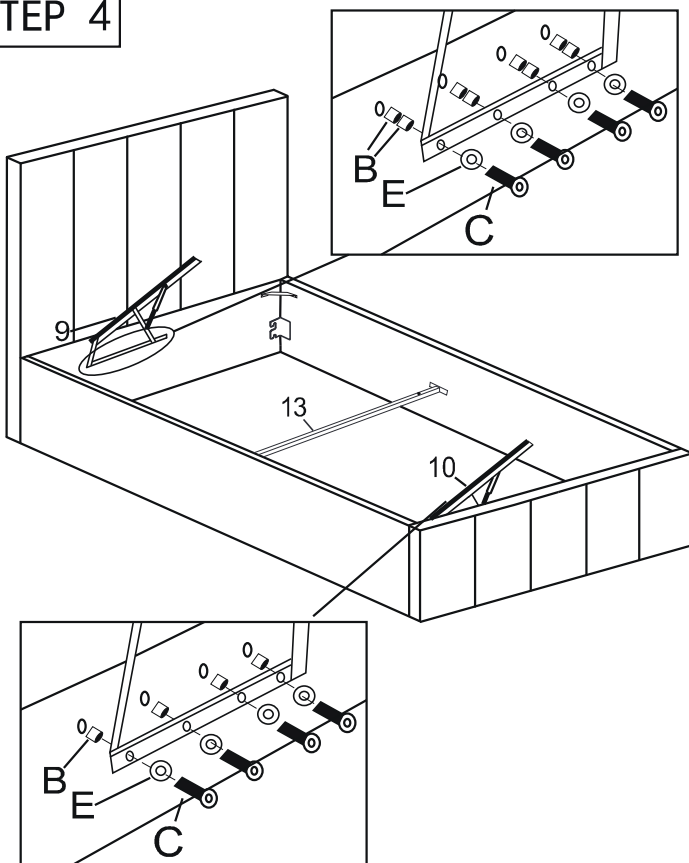


STEP 3



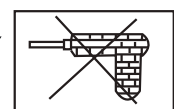
1. Assemble siderail 3, 4 to headboard 1: use the Bolt A, spring washer D and flat washer E
 2. Assemble the part 8, use bolt A and flat washer E; then stick the protective pad J on the part 8 surface to avoid the direct contact with the gas lifting frame.
 3. Assemble part 13 to 3 and 4, use allen key G to turn the bolt A. On part 13 surface use the protective O to avoid direct contact,
- Remark: The use of parts J & O (protective pads) helps minimise the sound when opening/closing the gas lift.

STEP 4

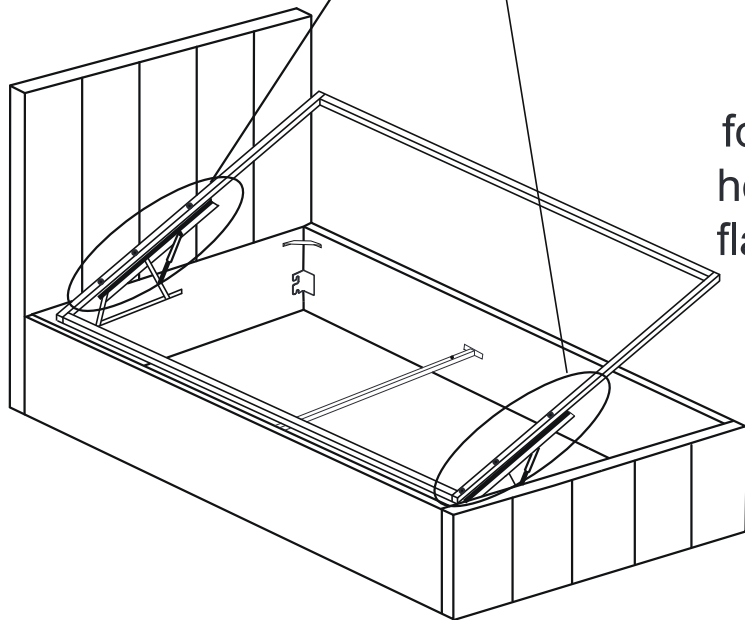
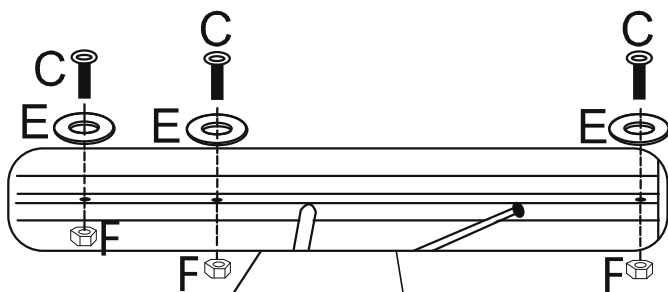


- 1 : Assemble gas lifting 9 to headboard, use the bolt C, flat washer E and two Black shaft B.
- 2: Assemble gas lifting 10 to footboard, use the bolt C, flat washer E and one Black shaft B.

USE OF POWER TOOLS TO ASSEMBLE THIS PRODUCT WILL INVALIDATE ANY CLAIM AND MAY DAMAGE THIS PRODUCT MAKING IT UNSAFE.

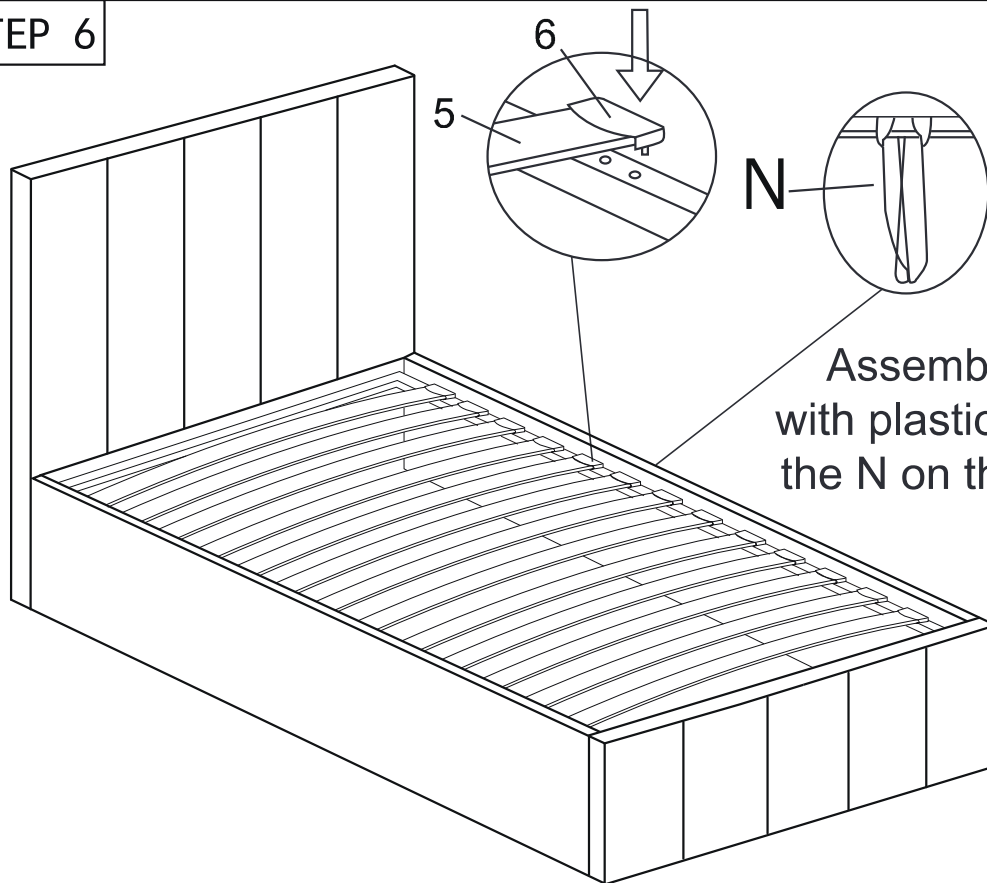


STEP 5



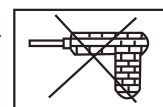
Assemble the headboard and footboard metal tube ,three holes section use the bolt C, flat washer E and nut F .

STEP 6

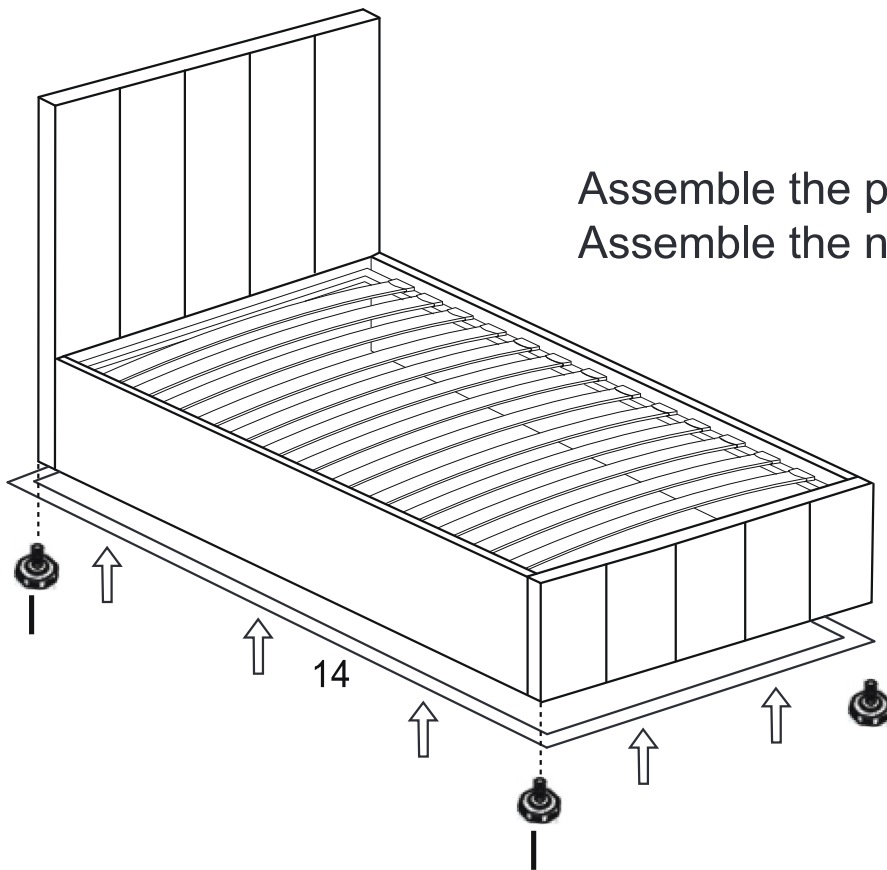


Assemble the wood slats 5 with plastic parts 6 ; then put the N on the siderail .

USE OF POWER TOOLS TO ASSEMBLE THIS PRODUCT WILL INVALIDATE ANY CLAIM AND MAY DAMAGE THIS PRODUCT MAKING IT UNSAFE.

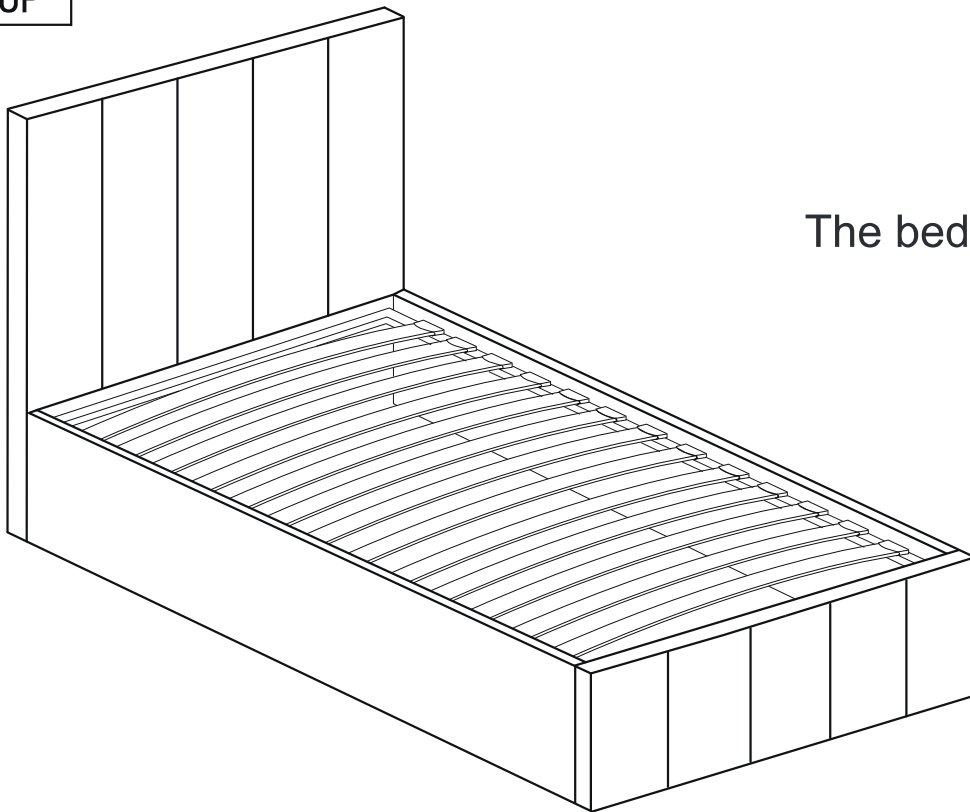


STEP 7



Assemble the part 14 on the bottom
Assemble the nails I to the beds

FULLY
SETUP



The bed is complete

USE OF POWER TOOLS TO ASSEMBLE THIS PRODUCT WILL INVALIDATE ANY
CLAIM AND MAY DAMAGE THIS PRODUCT MAKING IT UNSAFE.

