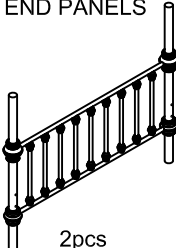
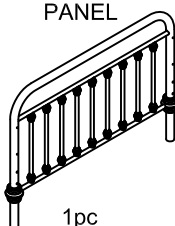
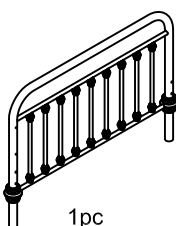
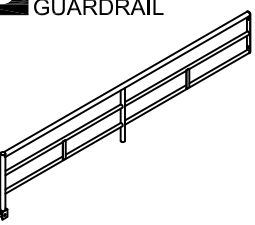
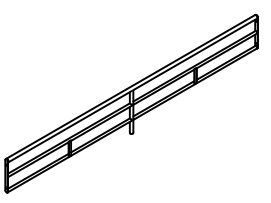
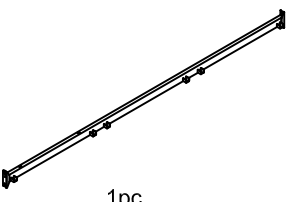
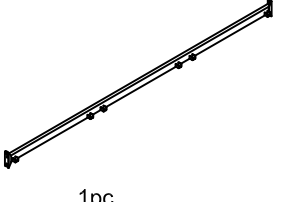
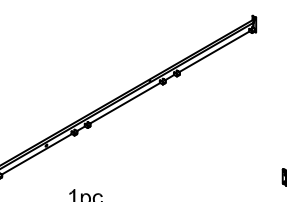
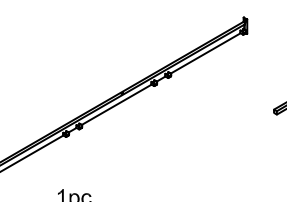
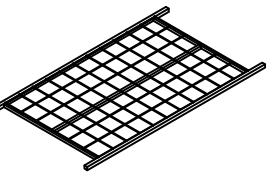
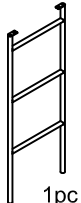
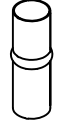
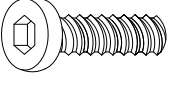


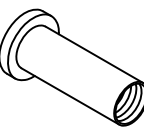

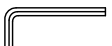


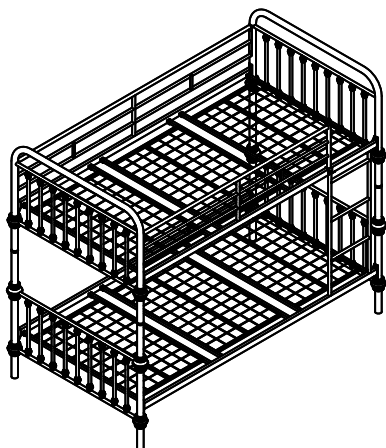


# ASSEMBLY INSTRUCTION

## TWIN TWIN BUNK BED




<b>A</b> BOTTOM END PANELS  2pcs	<b>B</b> UPPER LEFT END PANEL  1pc	<b>C</b> UPPER RIGHT END PANEL  1pc	<b>D</b> FRONT GUARDRAIL  1pc	<b>E</b> BACK GUARDRAIL  1pc
<b>F</b> BOTTOM FRONT RAIL  1pc	<b>G</b> BOTTOM BACK RAIL  1pc	<b>H</b> UPPER FRONT RAIL  1pc	<b>I</b> UPPER BACK RAIL  1pc	<b>J</b> MATTRESS FRAME  6pcs
<b>K</b> LADDER  1pc	<b>L</b> CONNECTOR  4pcs	<b>M</b> BOLT 1/4", 16MM  33pcs	<b>N</b> BOLT 1/4", 19MM  16pcs	<b>O</b> BOLT 1/4", 64MM  4pcs
<b>P</b> NUT 1/4", 22MM  1pc	<b>Q</b> FLAT WASHER $\phi 16\text{mm}$  53pcs	<b>R</b> ALLEN WRENCH 4X4MM  2pcs	<b>S</b> END CAP $\phi 1\frac{1}{2}"$  8pcs	 2 Adults assemble

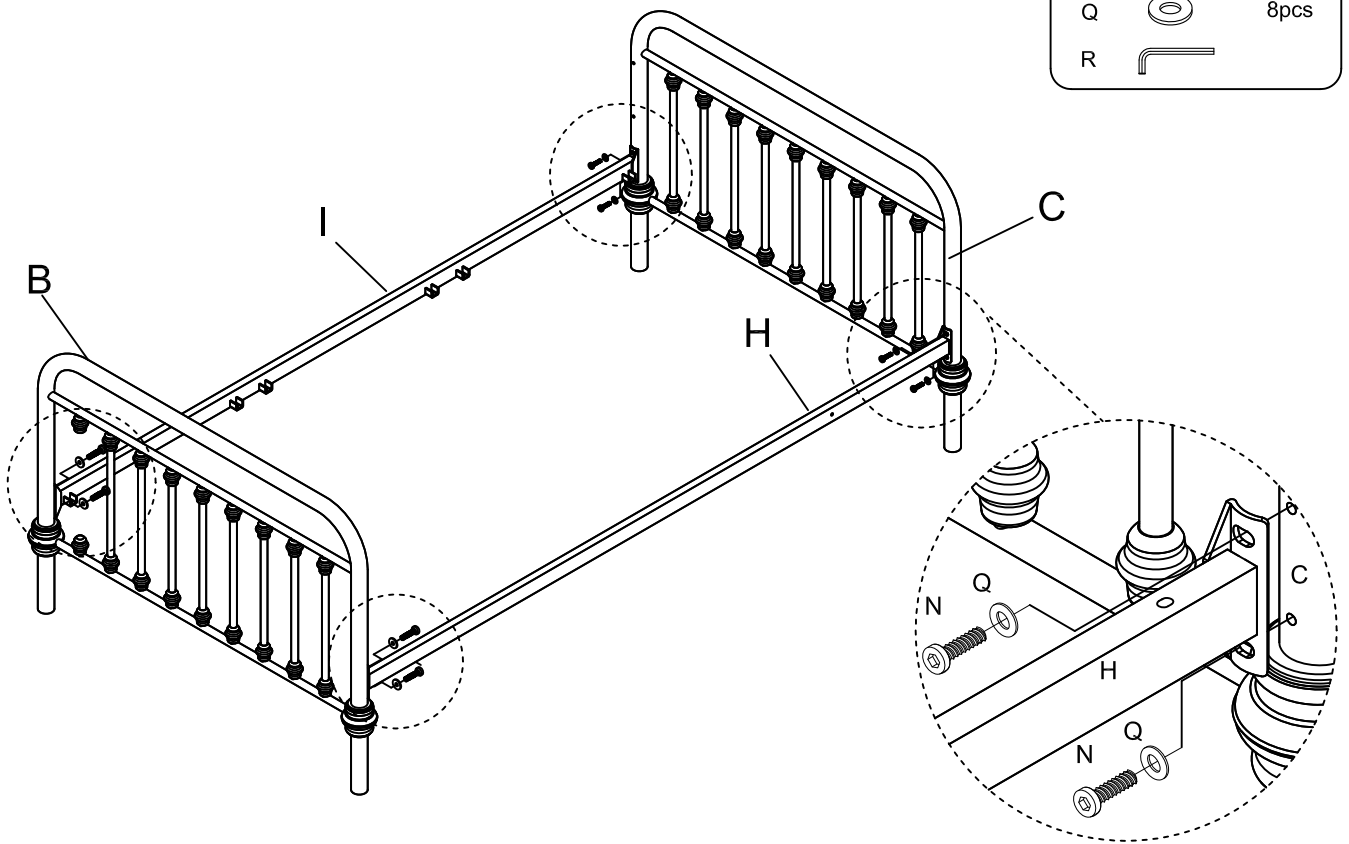


This page lists all the contents included in the box. Please take the time to identify the hardware as well as the individual components to this product. As you unpack and prepare for assembly, place the contents on a carpeted or padded area to protect them from damage.




**1**

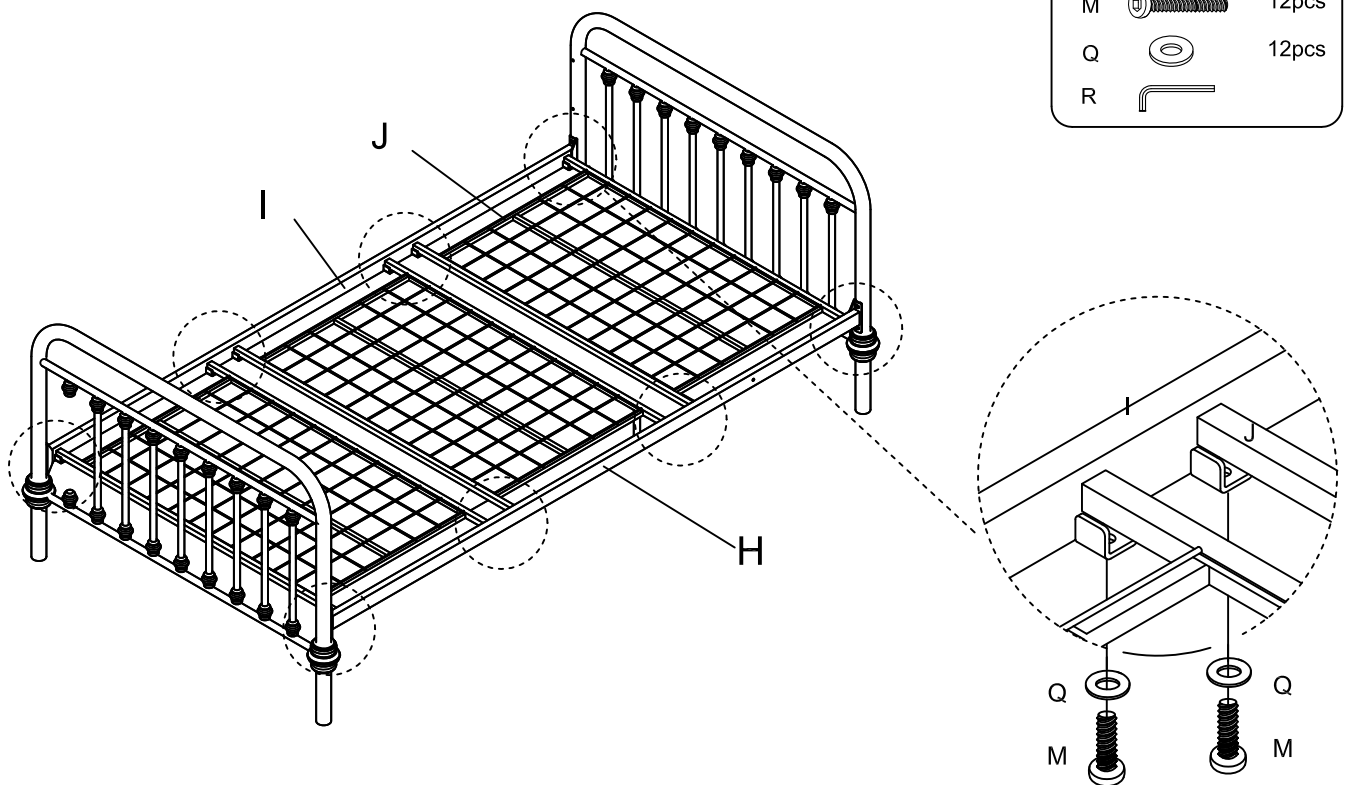
Assemble the upper front rail (H) and the upper back rail (I) to the upper end panels (B&C) with 8 pcs bolts (N) and 8 pcs flat washers (Q), then tighten with allen wrench (R).

N		8pcs
Q		8pcs
R		

**2**

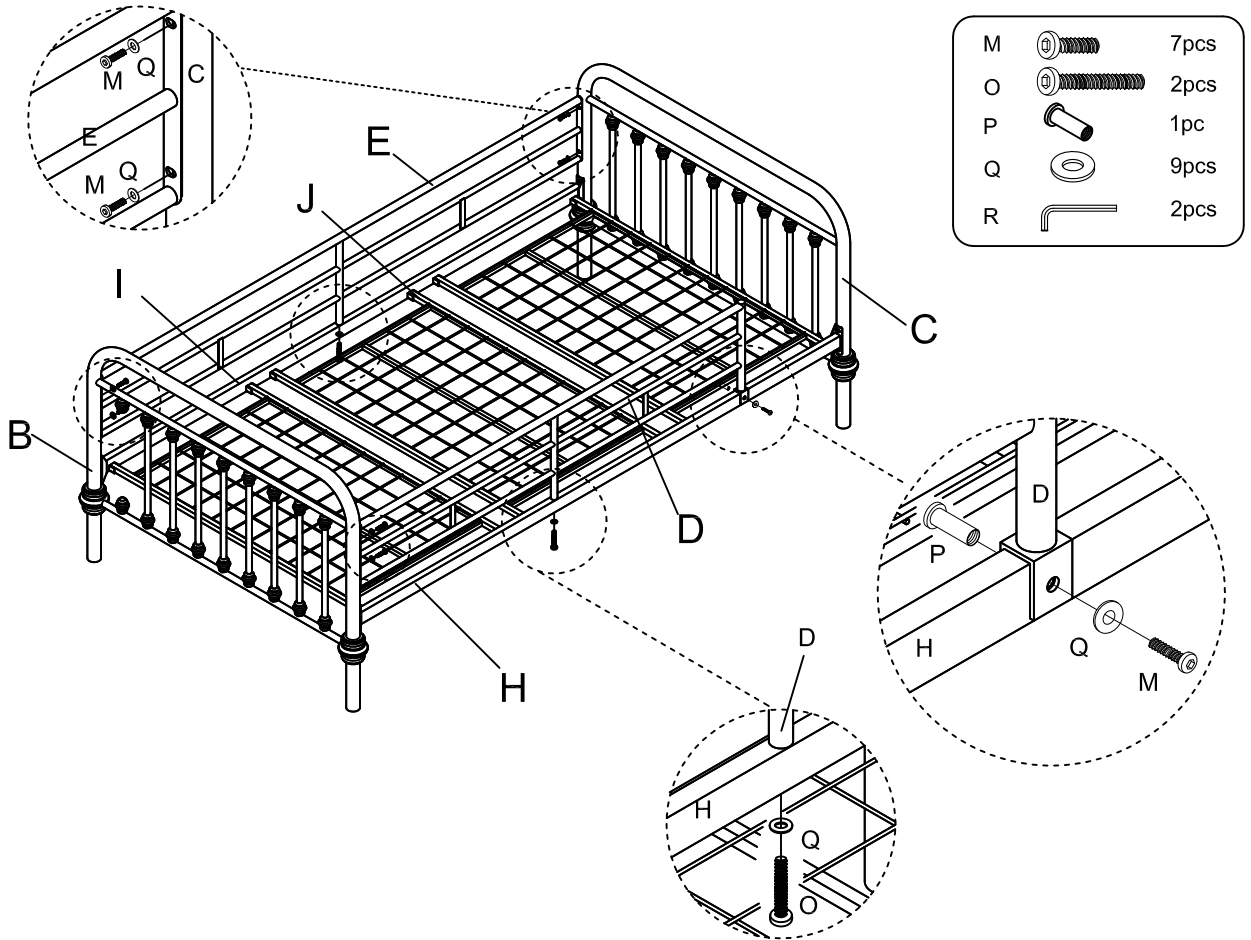
Assemble the mattress frames (J) to the upper rail (H&I) with 12 pcs bolts (M) and 12 pcs flat washers (Q), then tighten with the allen wrench (R).

M		12pcs
Q		12pcs
R		

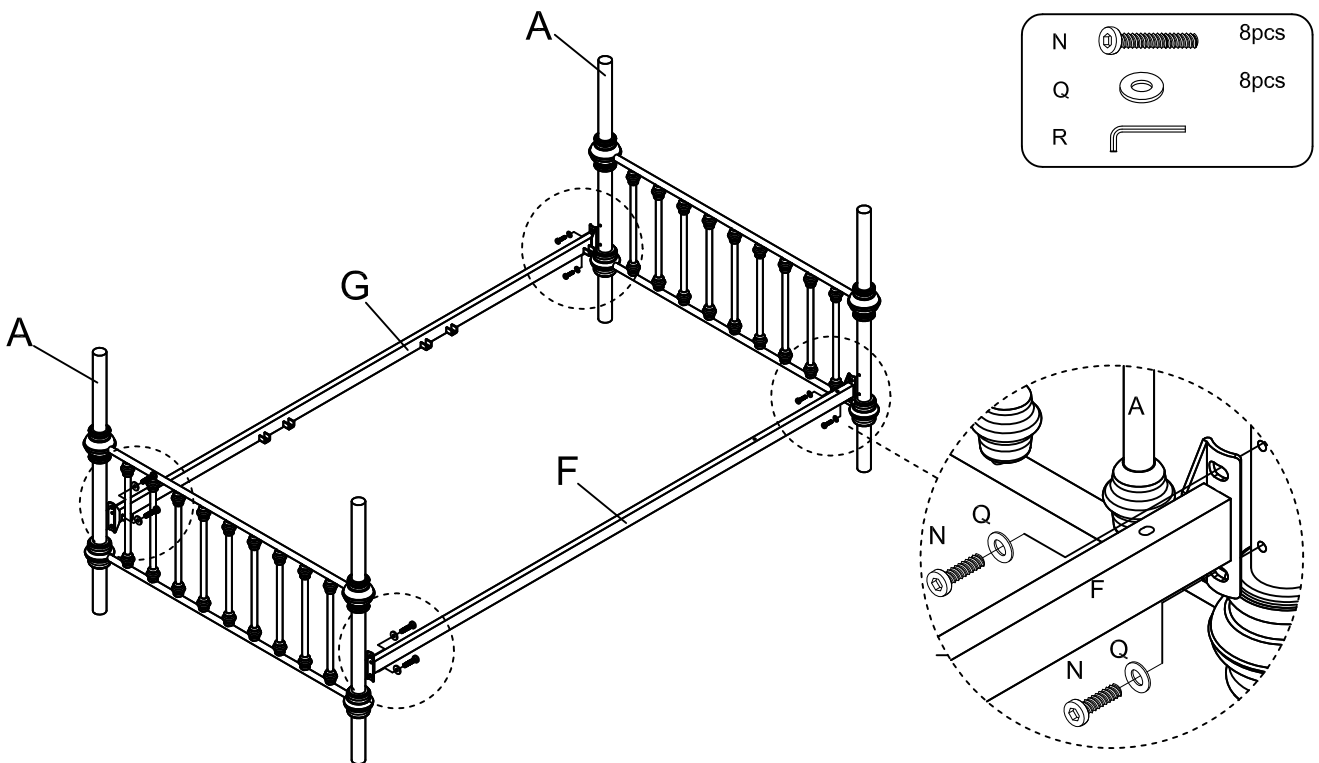


**3**

Assemble the front guardrail (D) and the back guardrail (E) to the upper end panels (B&C) and the upper rails (H&I) with 7 pcs blots (M), 2 pcs bolts (O), 1 pc nut (P) and 9 pcs flat washers (Q), then fastened using 2 pcs allen wrenches (R).

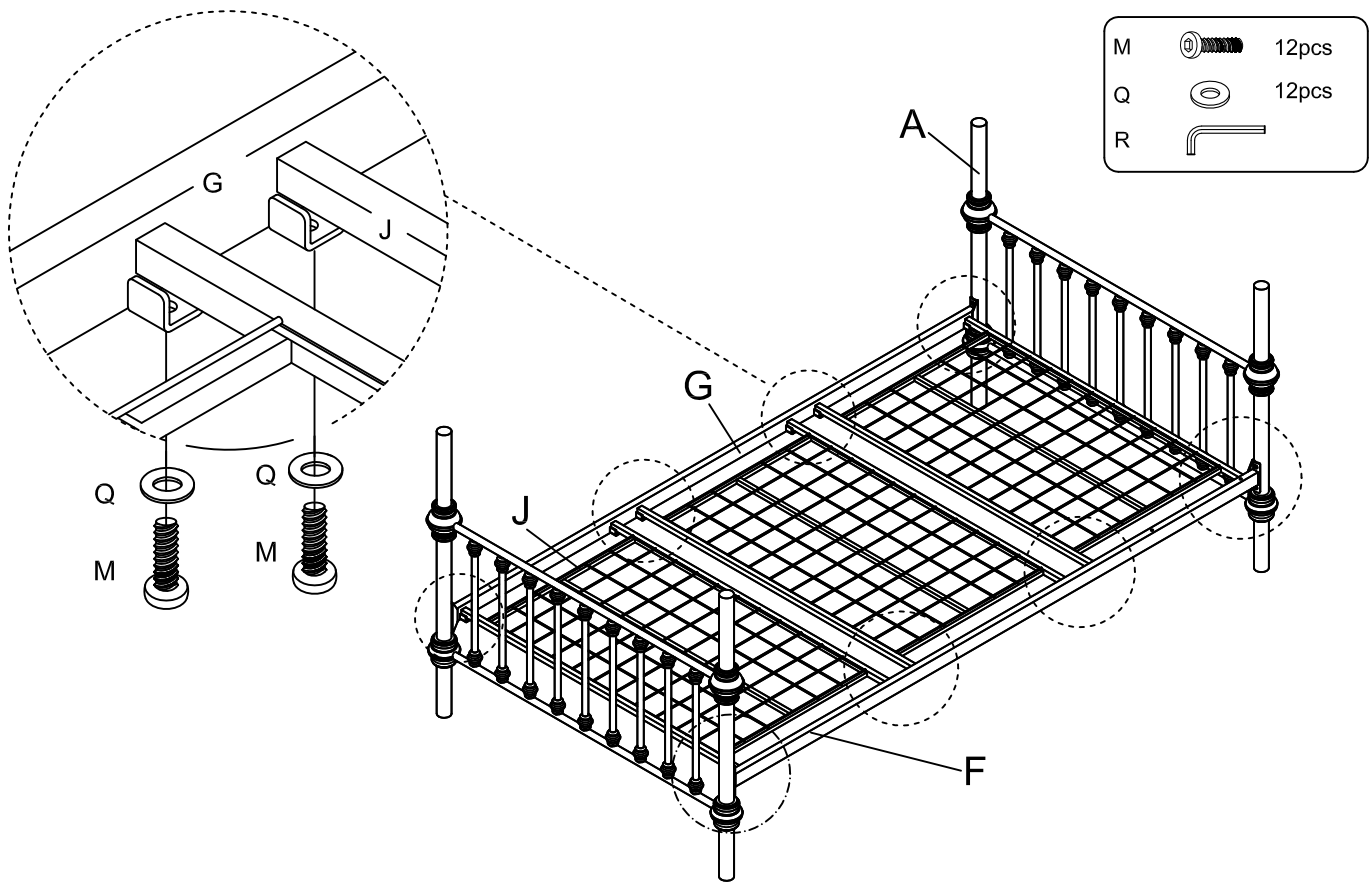
**4**

Assemble the bottom front rail (F) and the bottom back rail (G) to the bottom end panels (A) with 8 pcs bolts (N) and 8 pcs flat washers (Q), then fastened using the allen wrench (R).



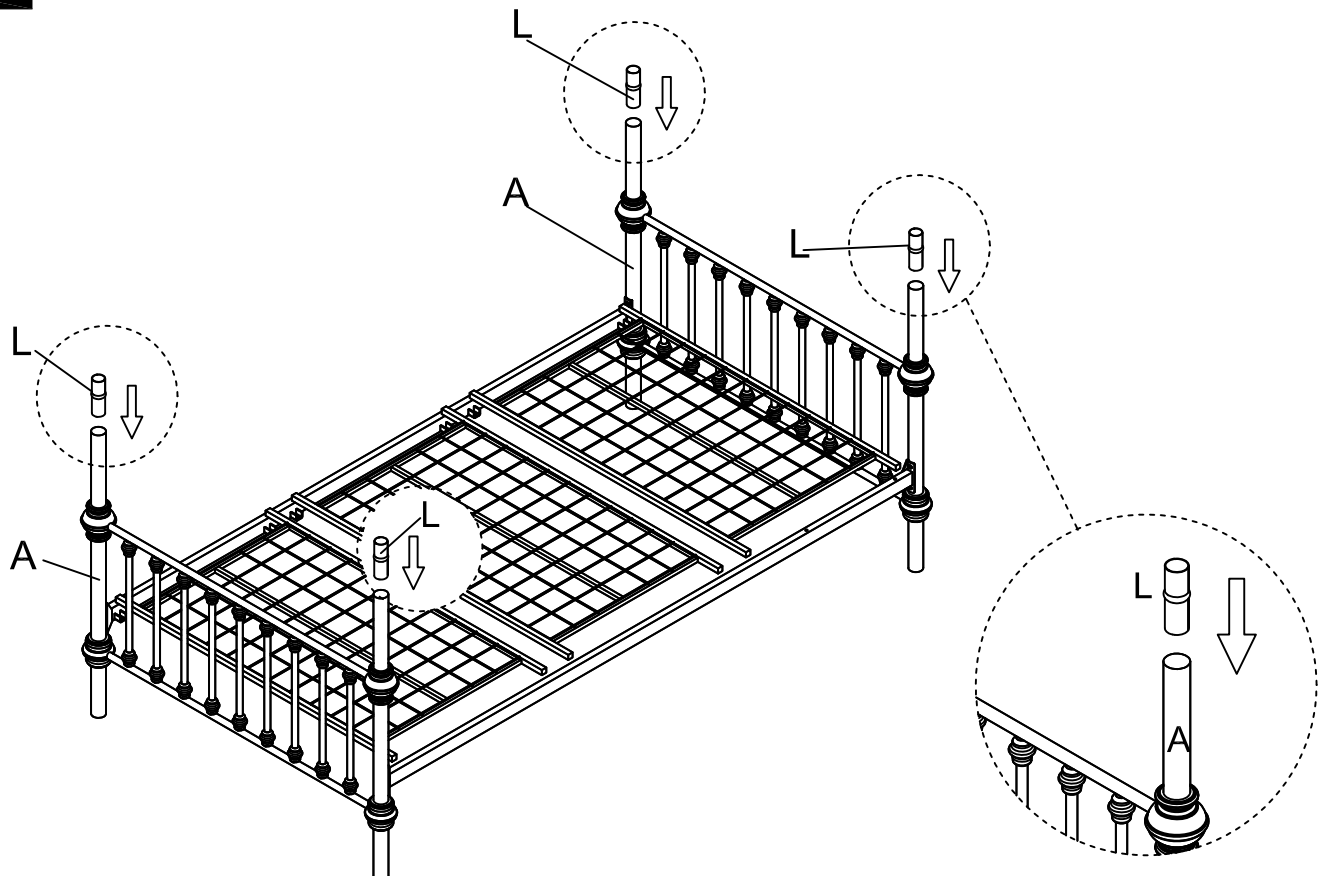
**5**

Assemble the mattress frames (J) to the bottom rail (F&G) with 12 pcs bolts (M) and 12 pcs flat washers (Q), then tighten with the allen wrench (R).



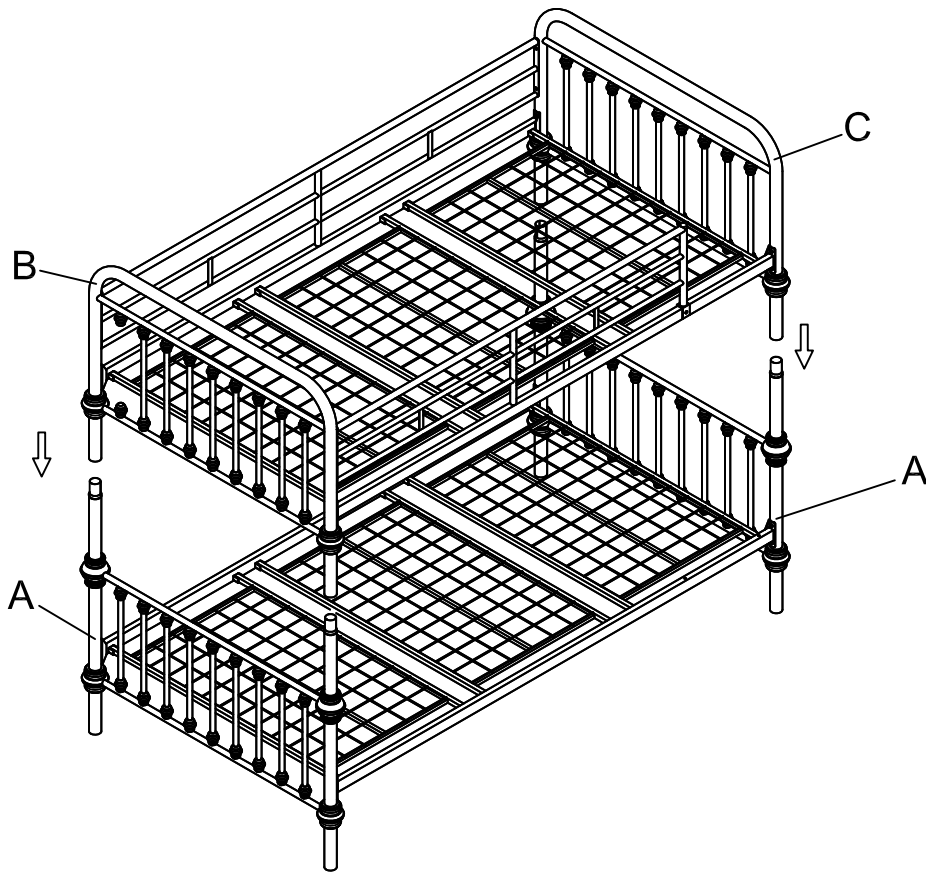
**6**

Assemble the connector (L) to the bottom end panels (A).

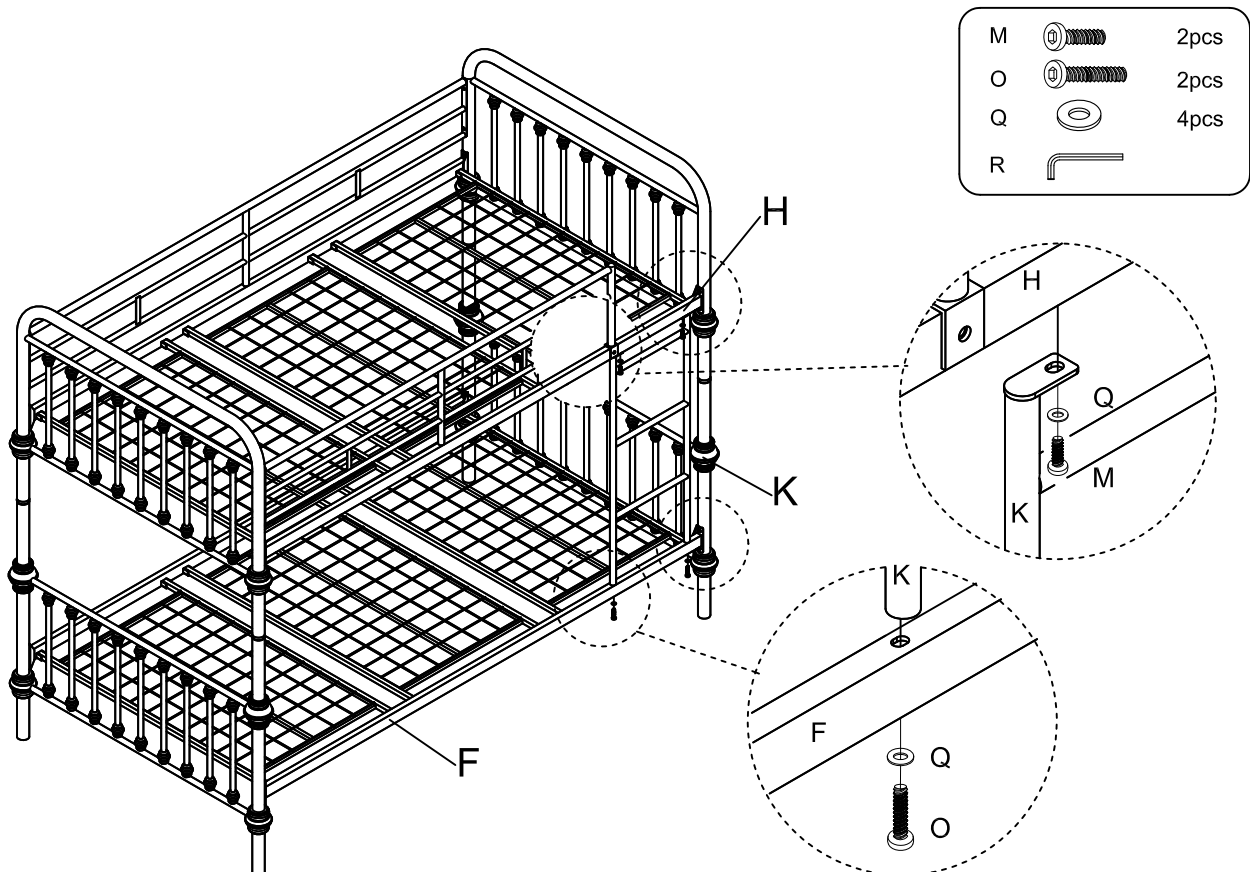


**7**

Assemble the upper end panels (B&C) to the bottom end panels (A).

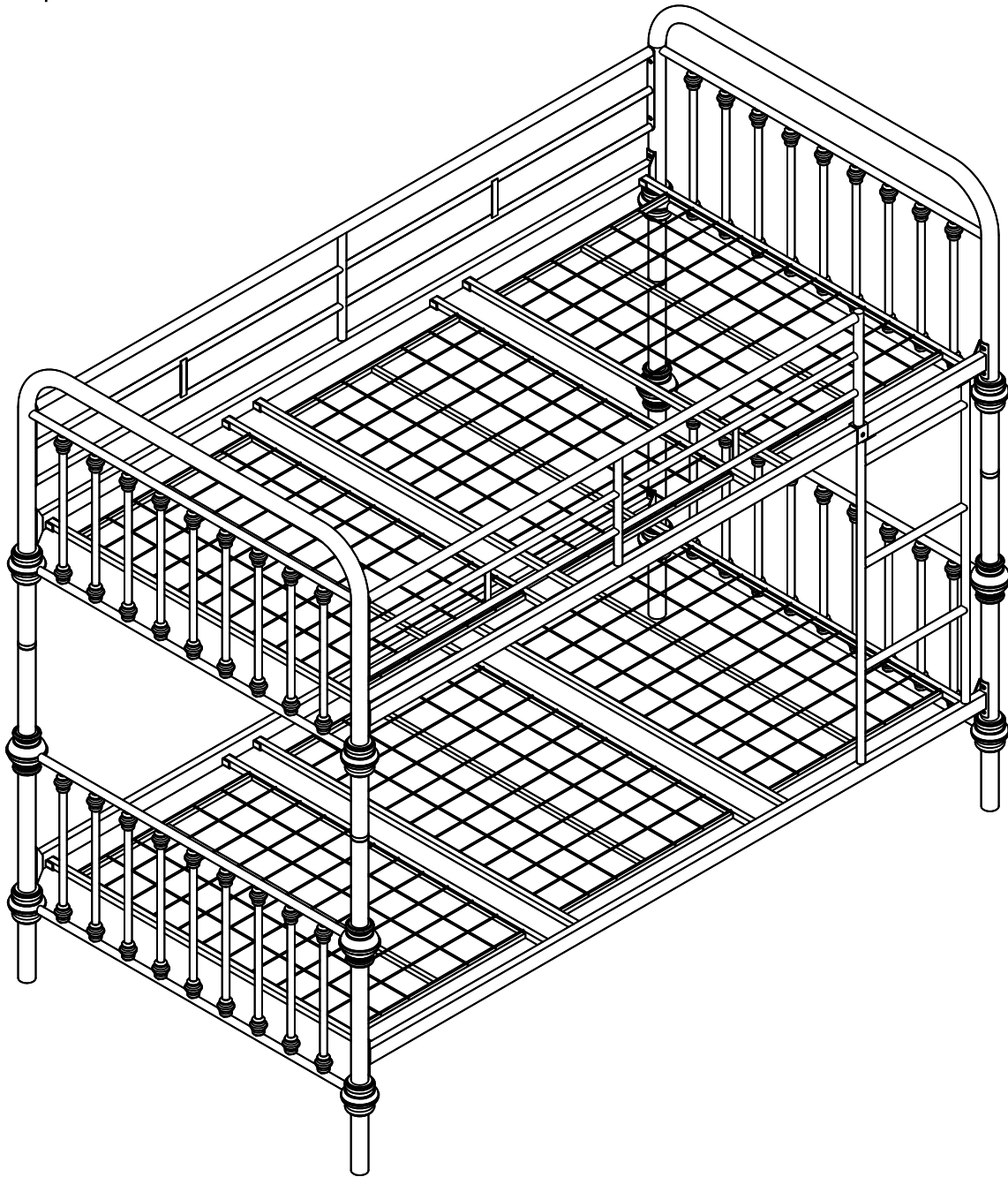
**8**

Assemble the ladder (K) to the front rail (H) and the bottom front rail (F) with 2 pcs bolts (M) , 2 pcs bolts (O) and 4pcs flat washer (Q), then fastened using the allen wrench (R).



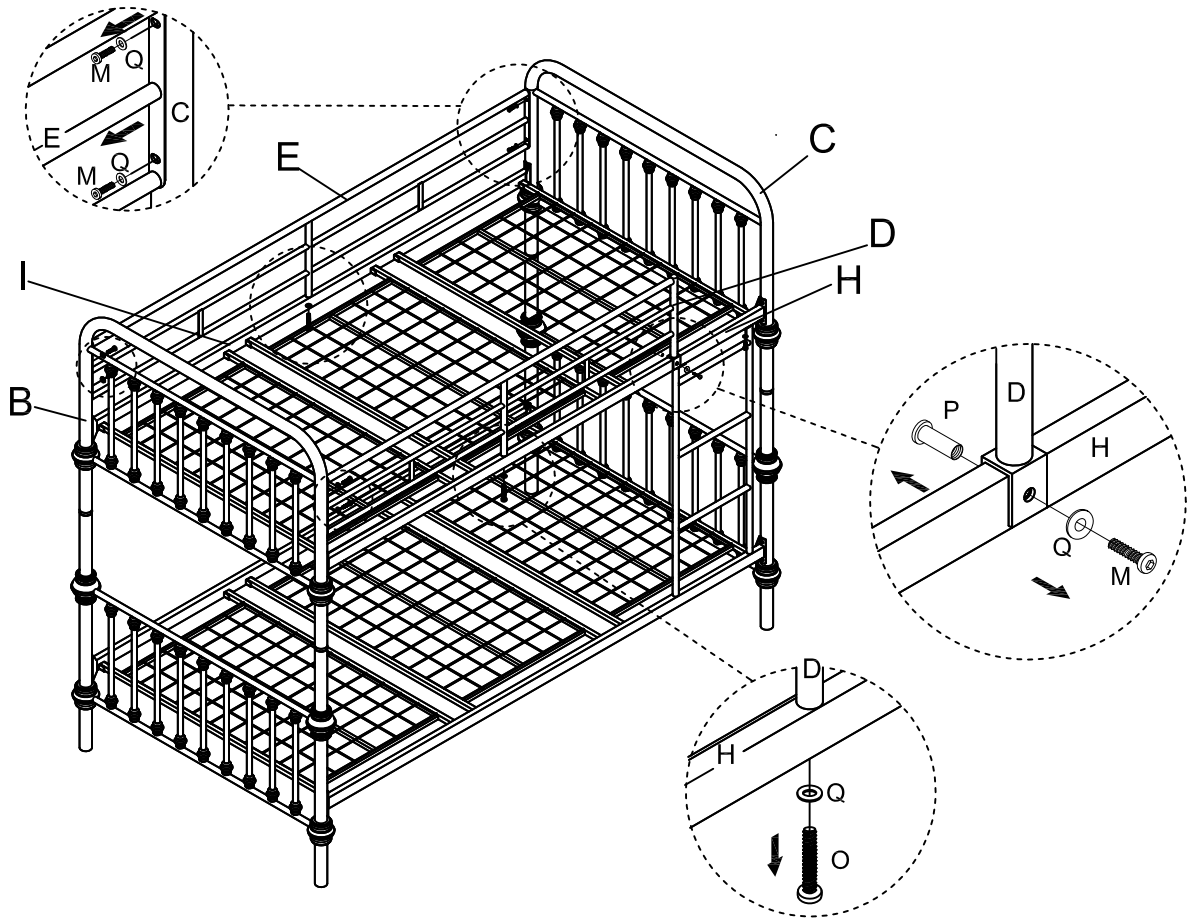
**9**

Complete.

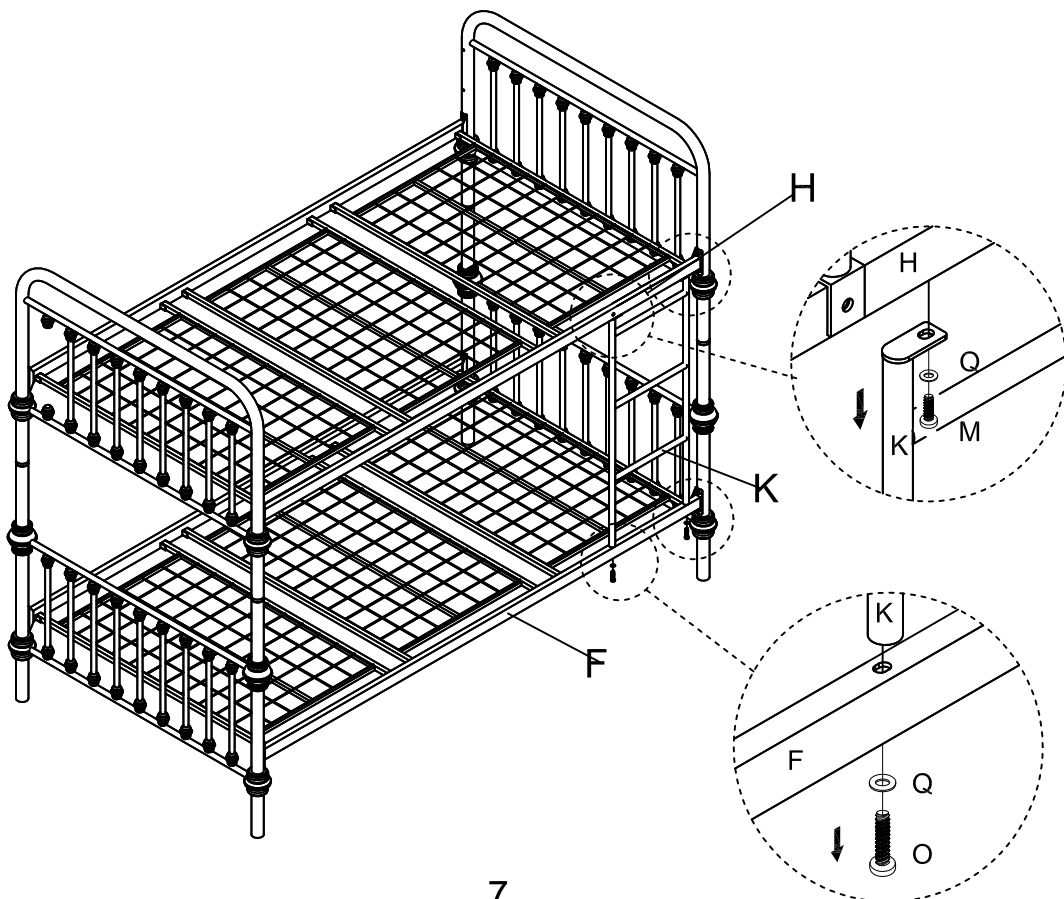


This bunk bed can be splitted into single beds, please refer step 10 to step 14.

**10** Disassemble the guardrail (D&E) from the upper end panels (B&C) and the upper rail (H&I) using the allen wrench (R).

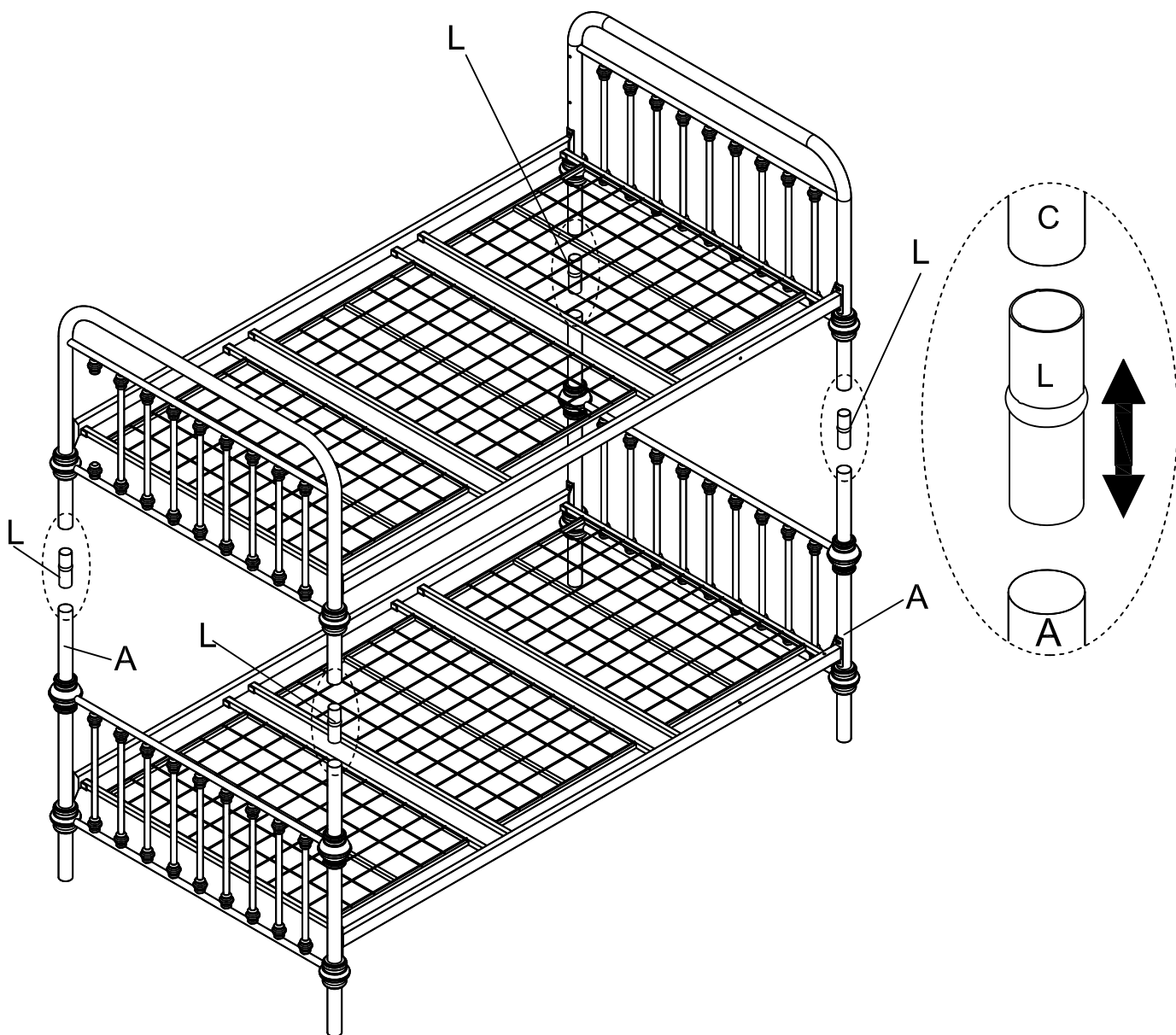


**11** Disassemble the ladder (K) from the upper front rail (H) and the bottom front rail (F) using the allen wrench (R).



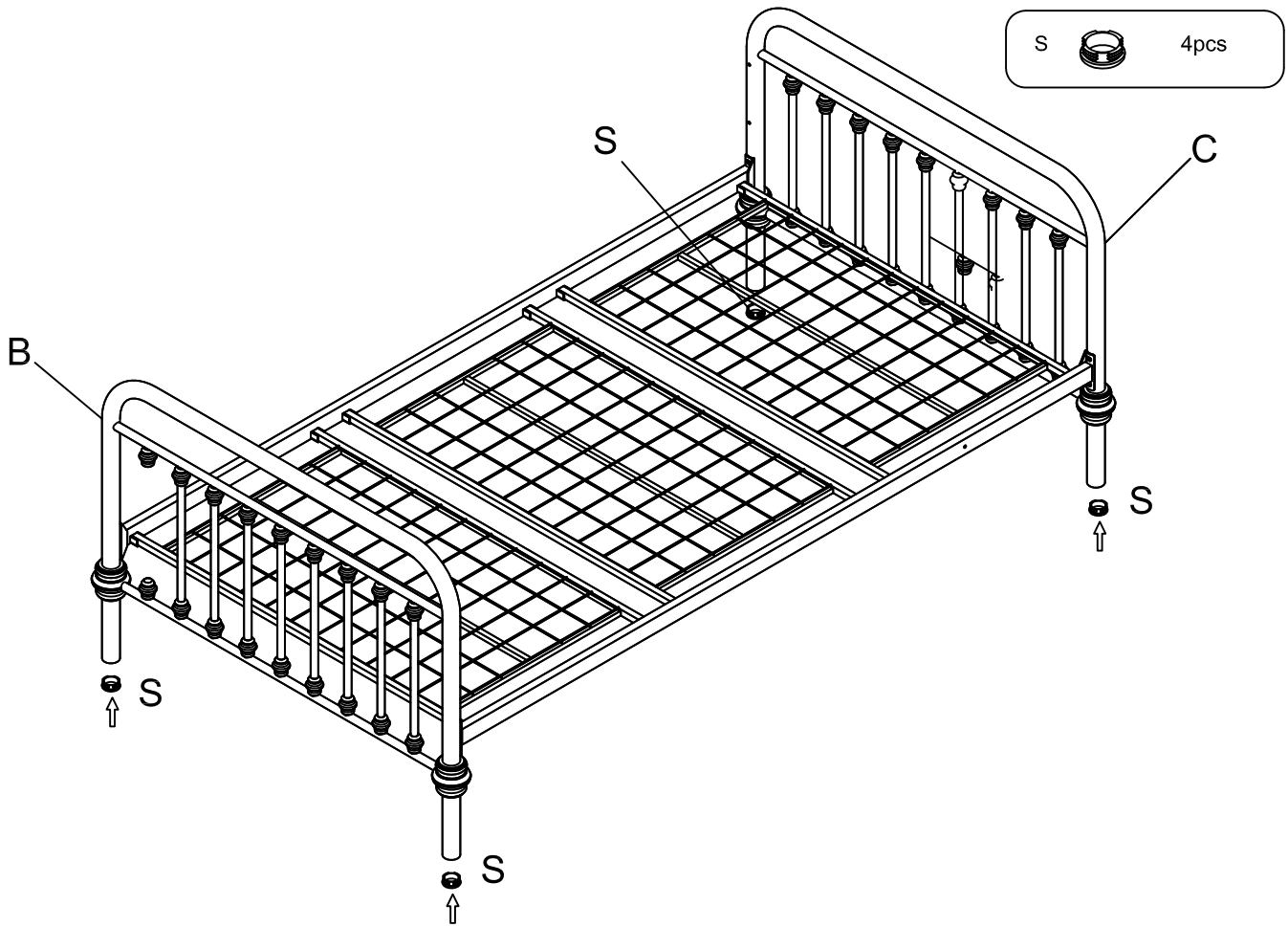
12

Disassemble the upper bed and the connectors (L) from the bottom end panels (A).

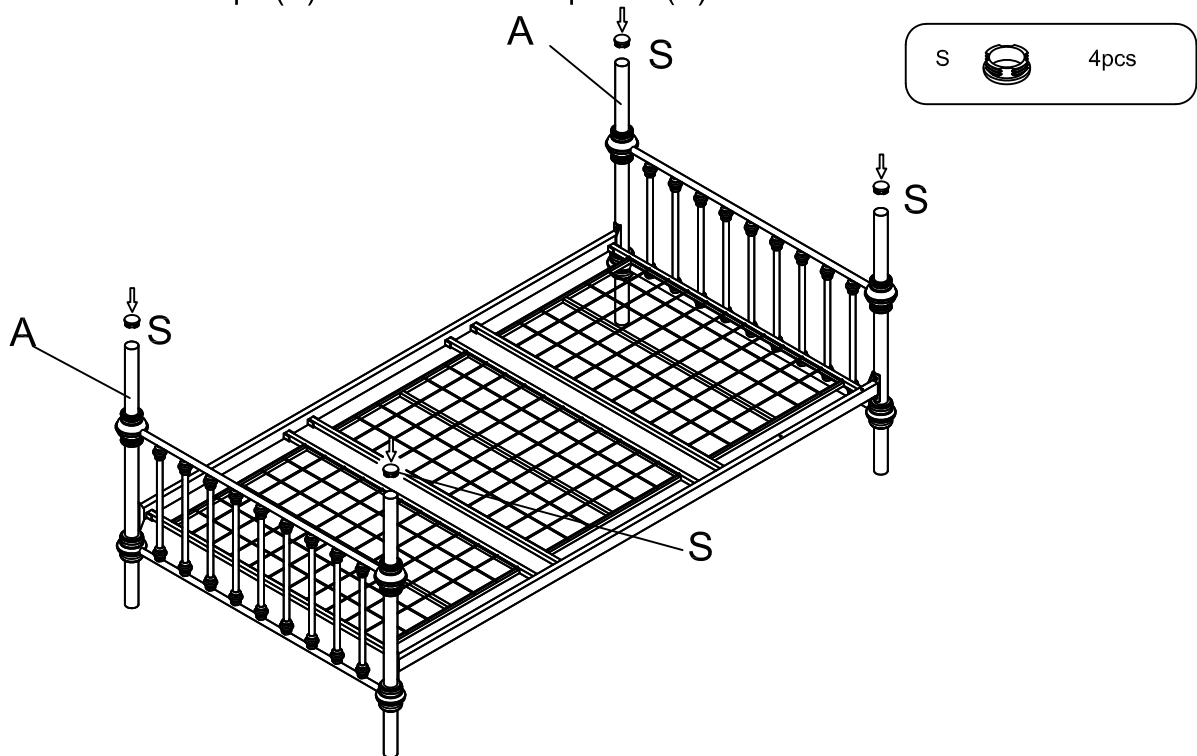


**13**

Assemble the end caps (S) to the upper end panels (B&amp;C).

**14**

Assemble the end caps (S) to the bottom end panels (A).

**Cleaning & Care**

Treat surface with care. Surface is resistant to scratches but is not scratch resistant. Clean surfaces with a dry or damp soft cloth. Do not use abrasive cleaners. Hardware may loosen over time. Periodically check that all connections are tight.

## Safety Warnings

1. Follow the information on the warnings appearing on the upper bunk end structure and on the carton. Do not remove warning label from bed.
2. Always use the recommended size mattress or mattress support, or both, to help prevent the likelihood of entrapment or falls.
3. Surface of mattress must be at least 5 in. (127mm) below the upper edge of guardrails.
4. Do not allow children under 6 years of age to use the upper bunk.
5. Periodically check and ensure that the guardrail, ladder, and other components are in their proper position, free from damage, and that all connectors are tight.
6. Do not allow horseplay on or under the bed and prohibit jumping on the bed.
7. Always use the ladder for entering and leaving the upper bunk.
8. Do not use substitute parts. Contact manufacturer or dealer for replacement parts.
9. Use of a night light may provide added safety precaution for a child using the upper bunk.
10. Always use guardrails on both long sides of the upper bunk.  
If the bunk bed will be placed next to the wall, the guardrail that runs the full length of the bed should be placed against the wall to prevent entrapment between the bed and the wall.
11. The use of water or sleep flotation mattress is prohibited.
12. Keep these instructions for future reference.
13. Use only mattress which is (74"-75")X(37 $\frac{1}{2}$ "-38 $\frac{1}{2}$ ")X6" on upper bunk and for bottom bunk required (74"-75")X(37 $\frac{1}{2}$ "-38 $\frac{1}{2}$ ")X8" mattress.
14. Prohibit more than one person on upper bunk.
15. Maximum total weight is not to exceed 400 lbs. on the upper bunk.

### STRANGULATION HAZARD:

Never attach or hang items to any part of the bunk bed that are not designed for use with the bed, for example, but not limited to, hooks, belts, and jumpropes.