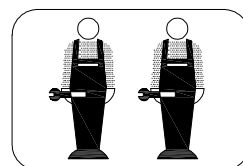
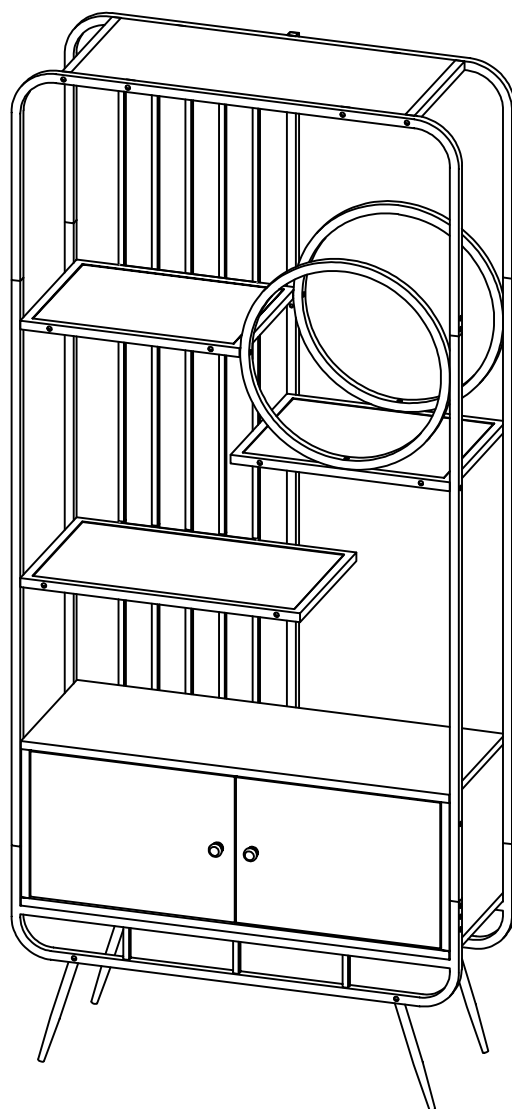
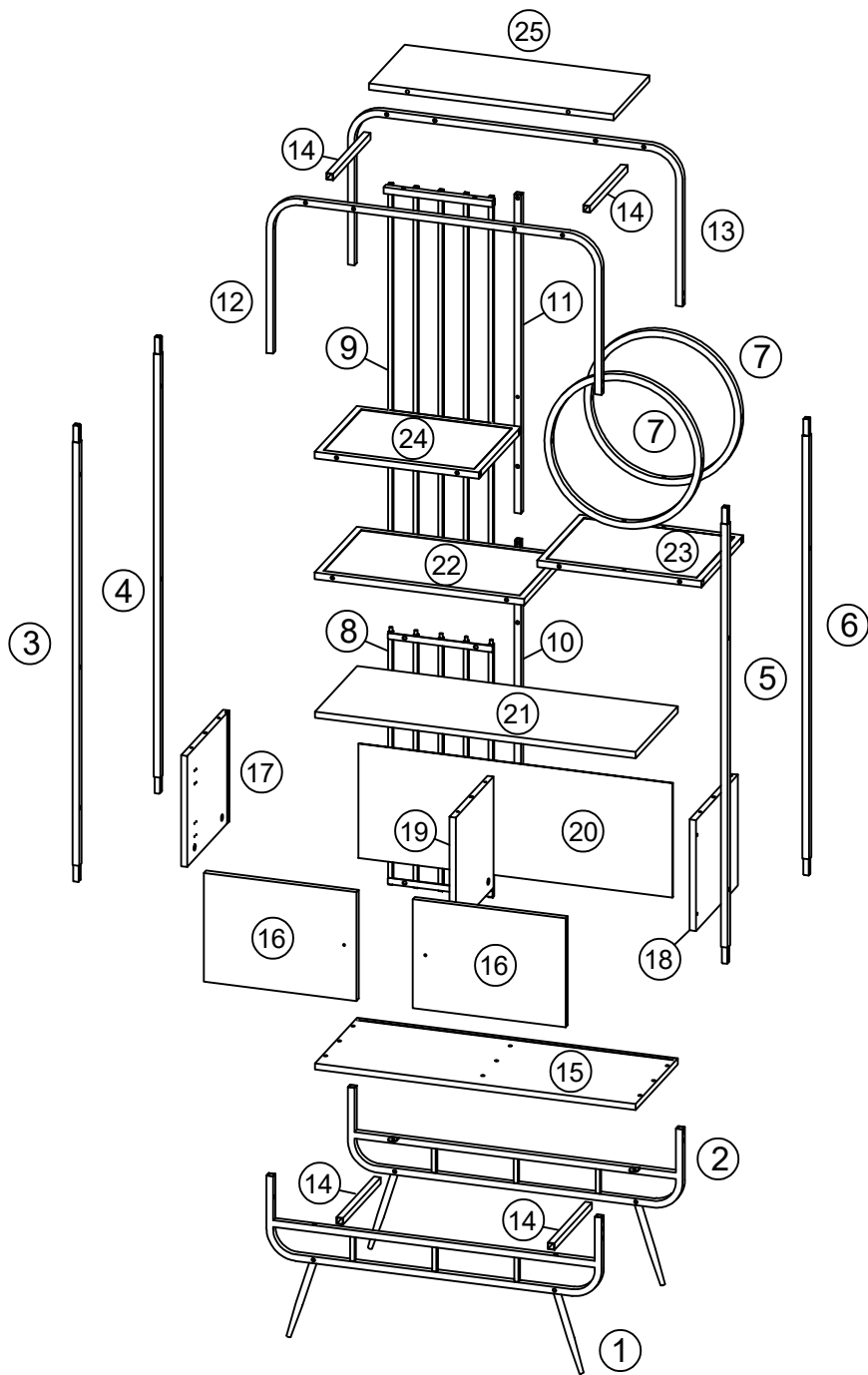


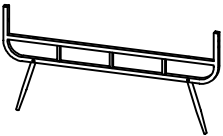
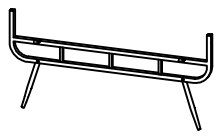



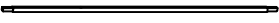
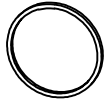


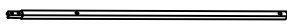
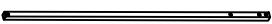
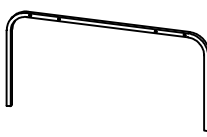

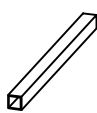

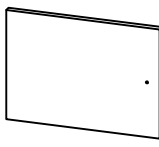
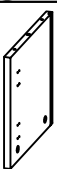


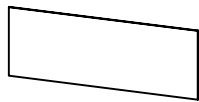





# ASSEMBLY INSTRUCTIONS

WF301061AAK



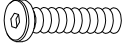
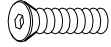

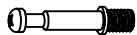


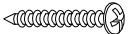






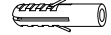





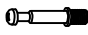


# Part List

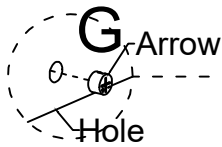
			
①×1pc	②×1pc	③×1pc	④×1pc
			
⑤×1pc	⑥×1pc	⑦×2pcs	⑧×1pc
			
⑨×1pc	⑩×1pc	⑪×1pc	⑫×1pc
			
⑬×1pc	⑭×4pcs	⑮×1pc	⑯×2pcs
			
⑰×1pc	⑱×1pc	⑲×1pc	⑳×1pc
			
㉑×1pc	㉒×1pc	㉓×1pc	㉔×1pc
			
㉕×1pc			

# Hardware List

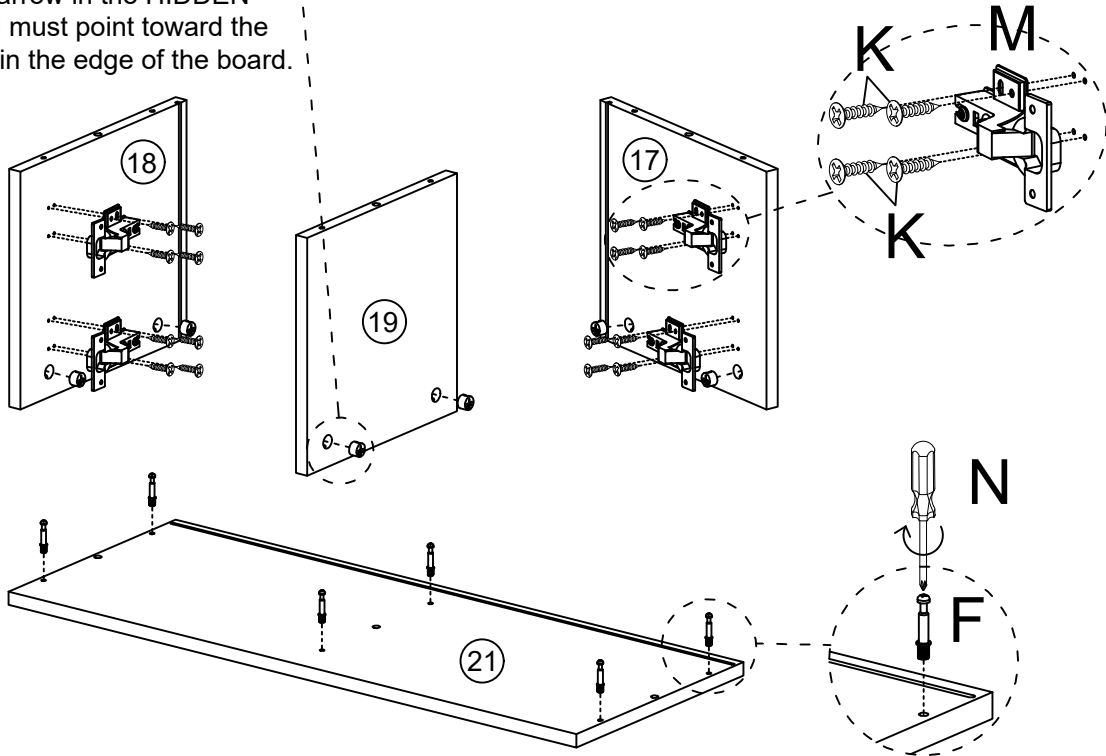
A	X27	B	X6	C	X20	D	X6
							
M6X12mm		M6X25mm		M6X30mm		M6X28mm	
E	X10	F	X6	G	X6	H	X6
							
φ7X40mm		φ6X35mm		φ15X12mm		φ8X30mm	
I	X2	J	X2	K	X24	L	X2
							
4X35mm		M4X18mm		3.5X14mm			
M	X4	N	X1	O	X1	P	X2
							
				M4		φ6X30mm	
Q	X2						
							

# Step 1

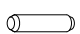
F	X6	G	X6	K	X16	M	X4
							
φ6X35mm		φ15X12mm		3.5X14mm			

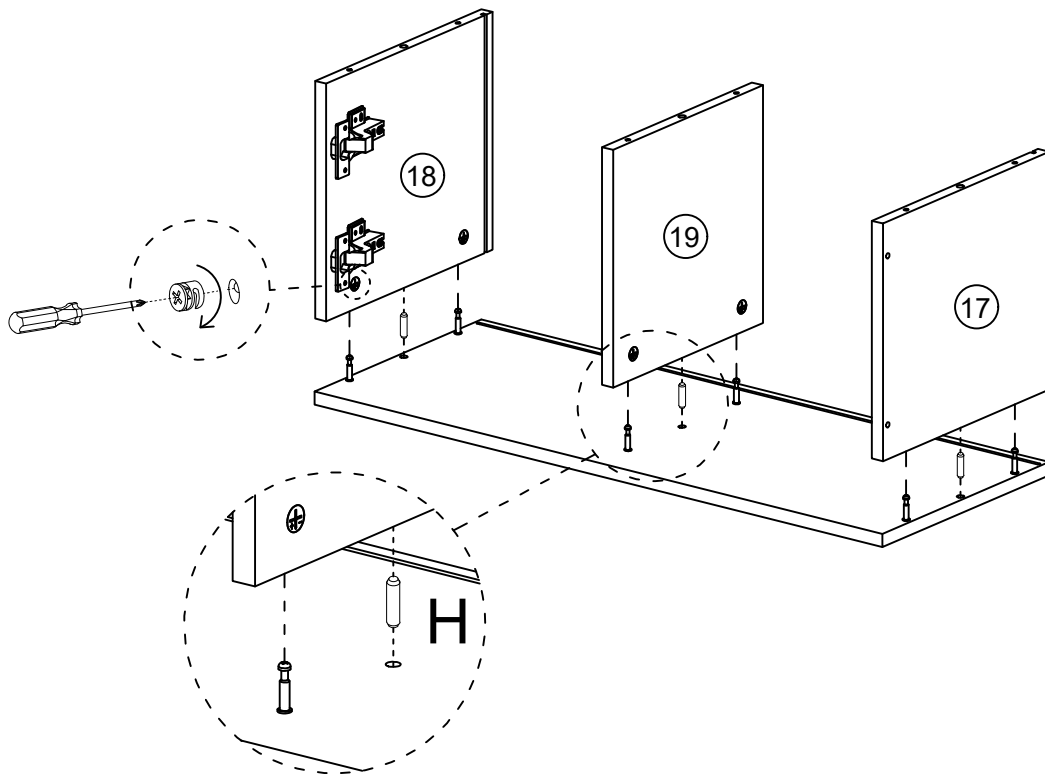


The arrow in the HIDDEN CAM must point toward the hole in the edge of the board.

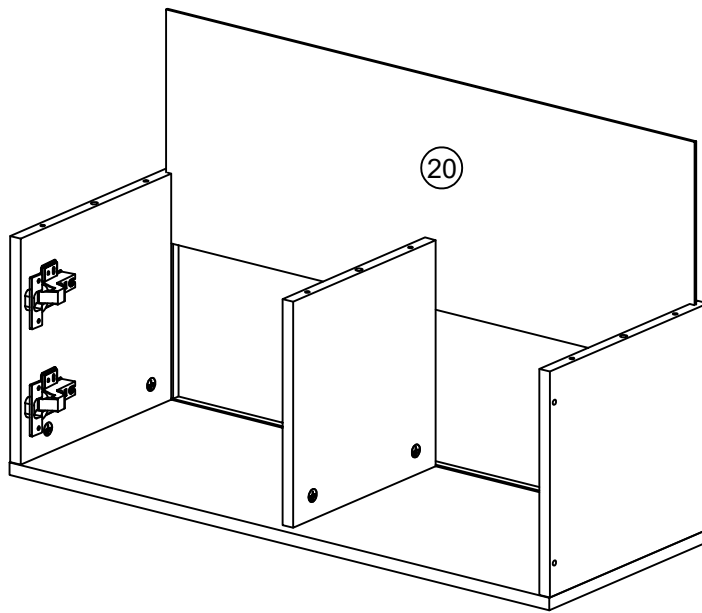


# Step 2

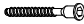
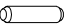
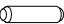
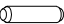
H	X3
	
φ8X30mm	

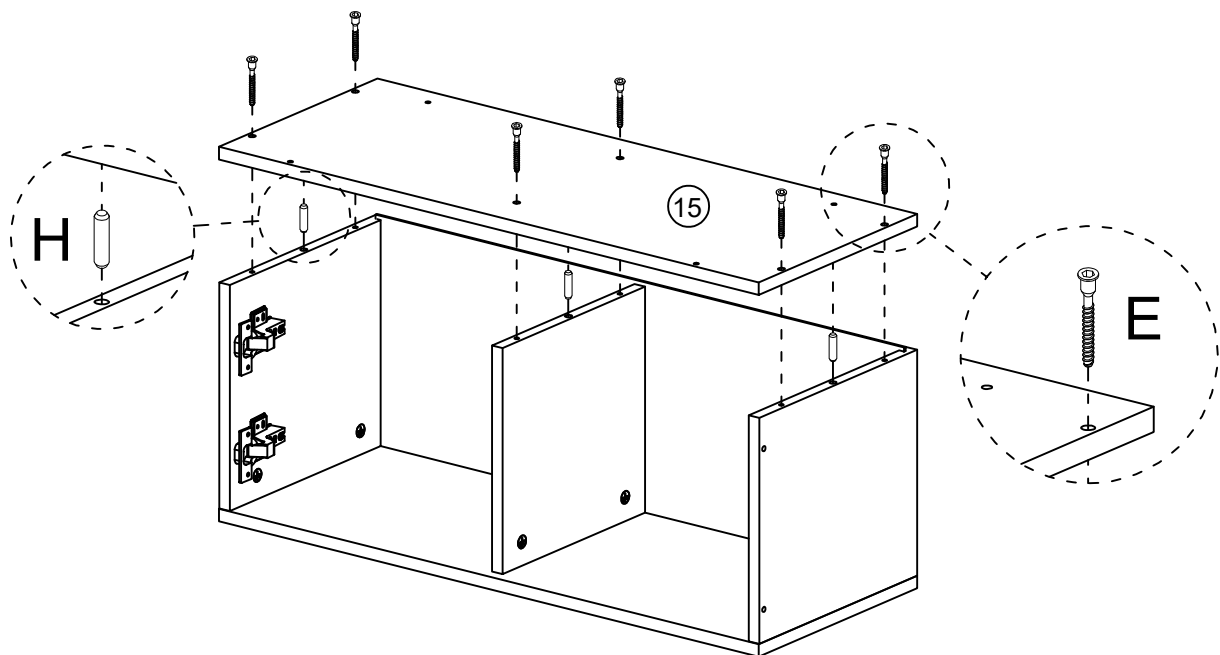


# Step 3


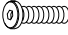


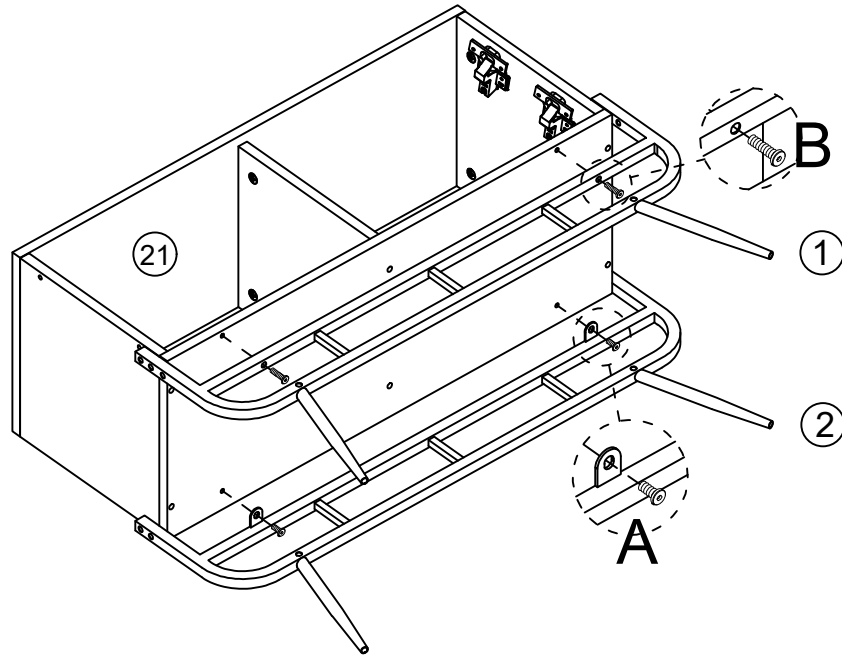
# Step 4

E	X6	H	X3
			
$\varnothing 7 \times 40 \text{mm}$		$\varnothing 8 \times 30 \text{mm}$	


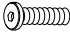



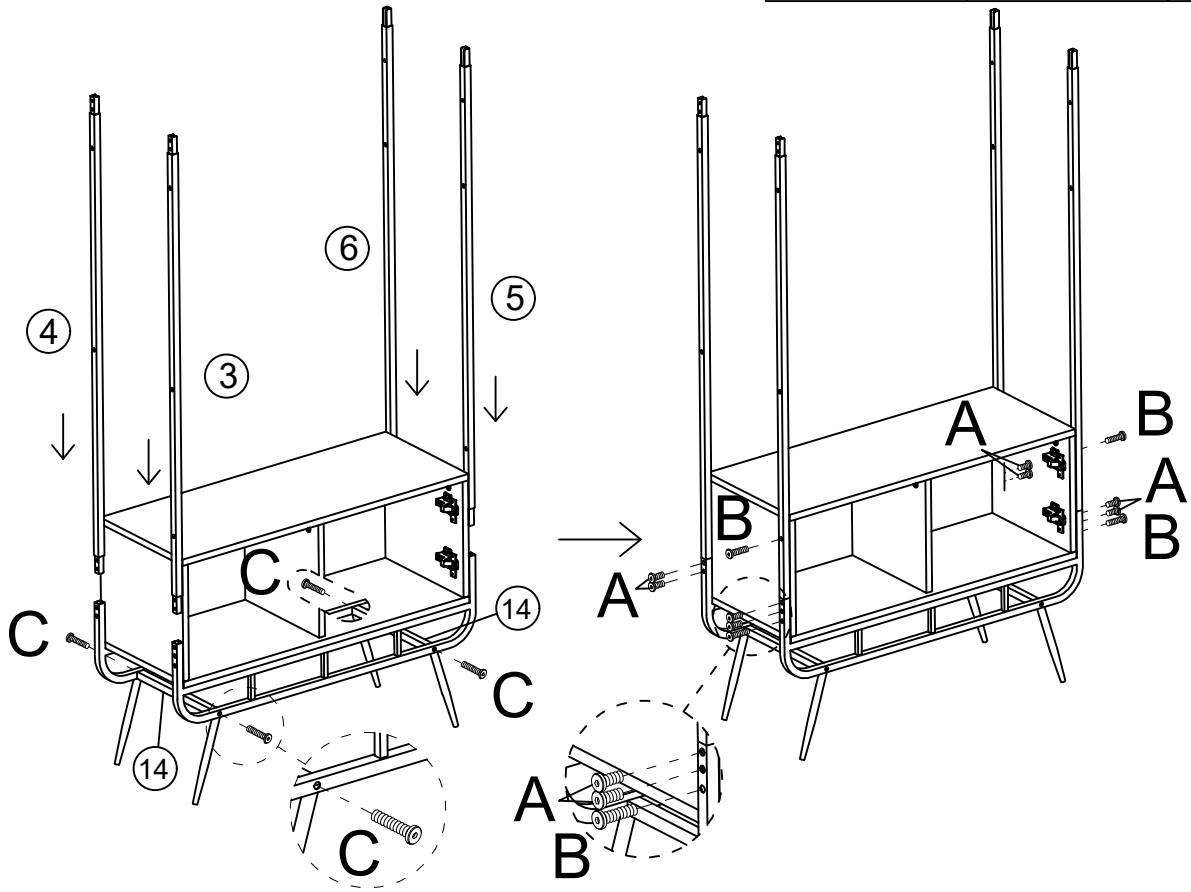
# Step 5

A	X2	B	X2
			
M6X12mm		M6X25mm	




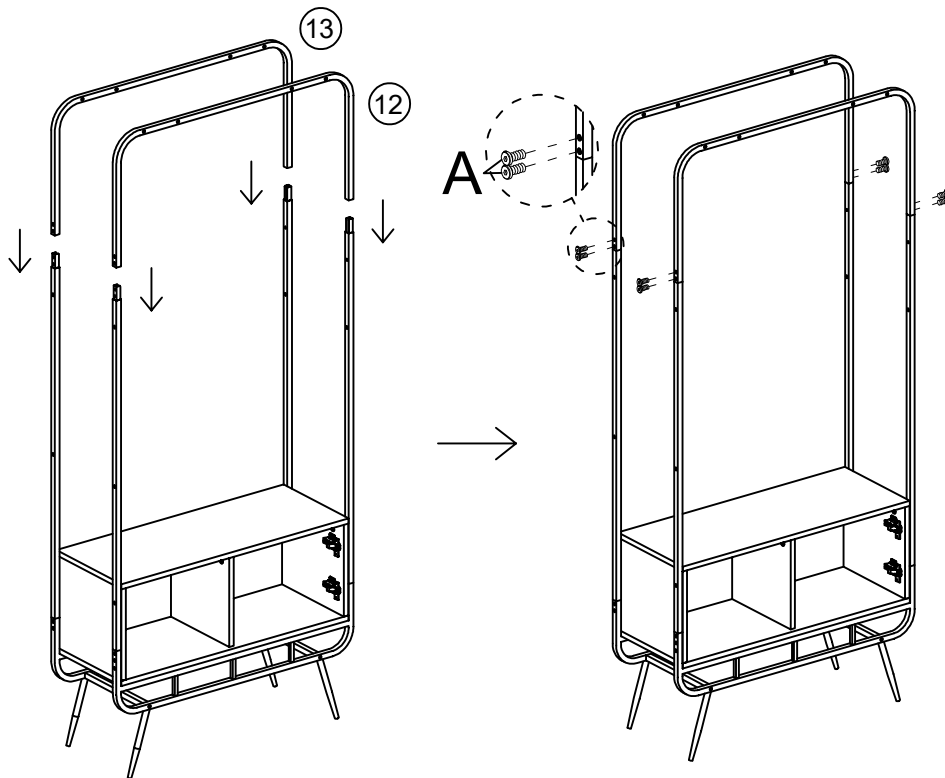
# Step 6

A	X8	B	X4	C	X4
					
M6X12mm		M6X25mm		M6X30mm	

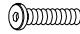



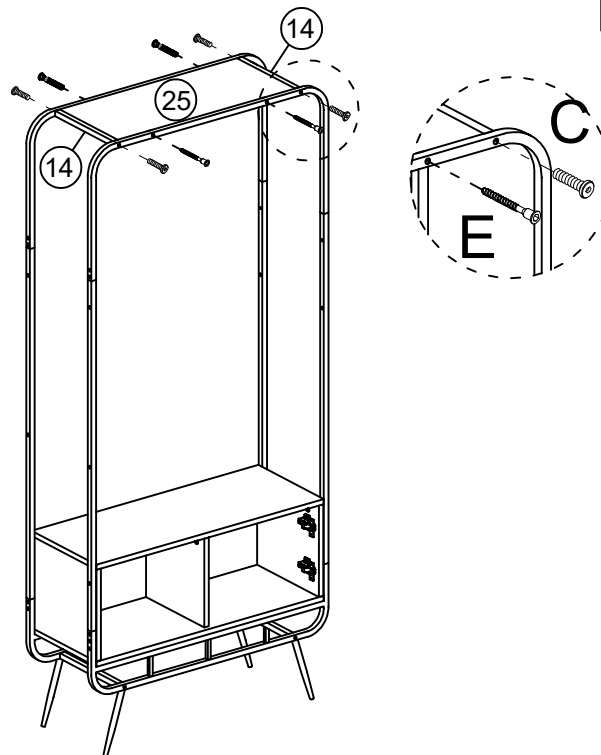
# Step 7

A	X8
	
M6X12mm	


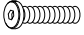


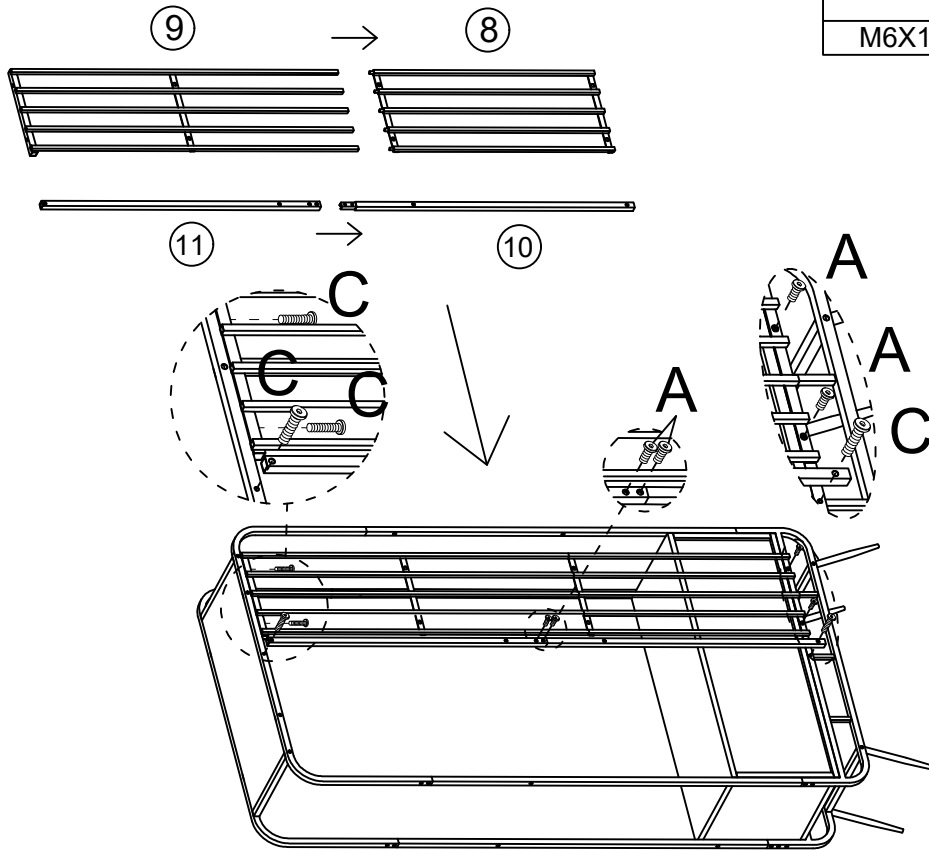
# Step 8

C	X4	E	X4
			
M6X30mm		φ7X40mm	

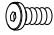


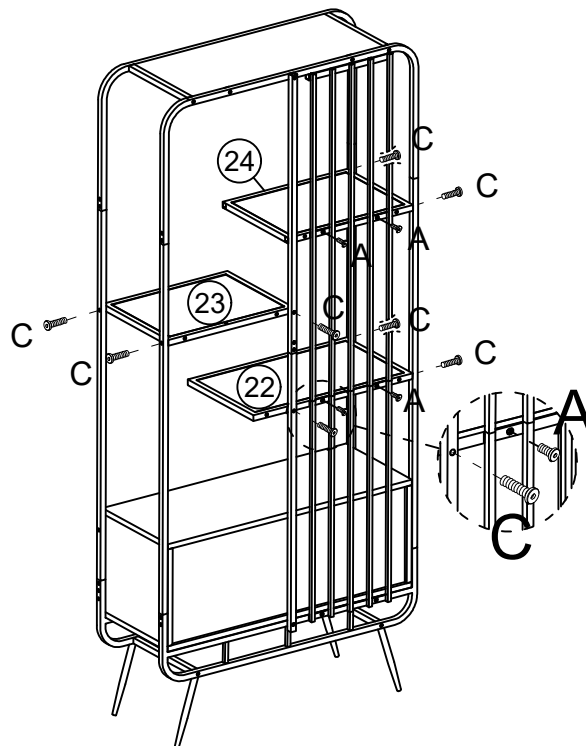
# Step 9

A	X4	C	X4
			
M6X12mm		M6X30mm	

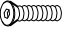


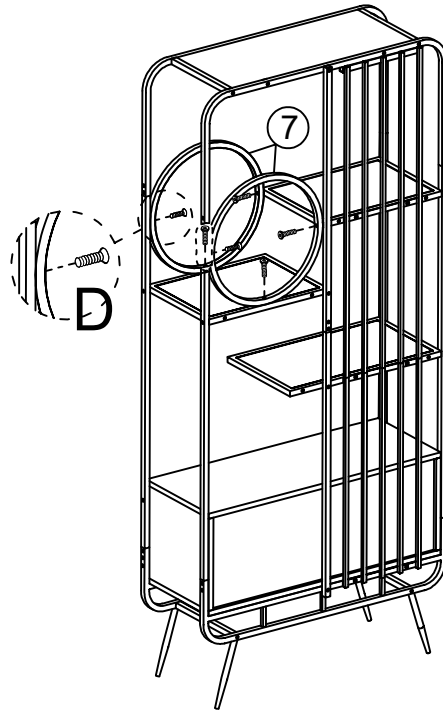
# Step 10

A	X4	C	X8
			
M6X12mm		M6X30mm	

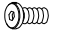


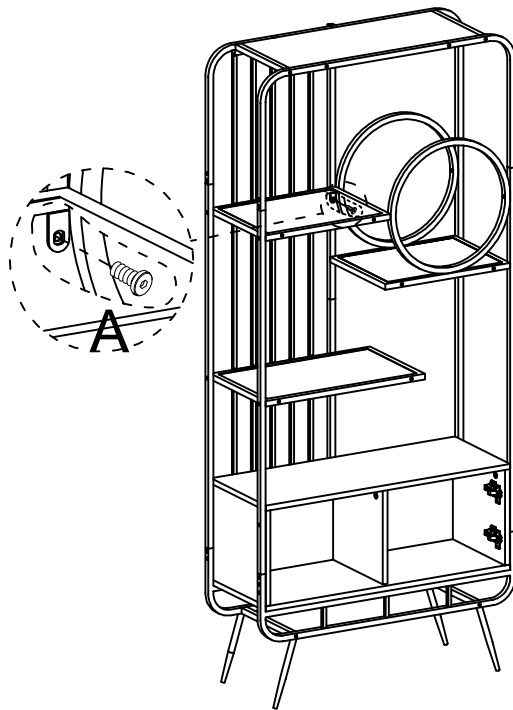
# Step 11

D	X6
	
M6X28mm	




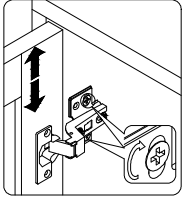
# Step 12

A	X1
	
M6X12mm	

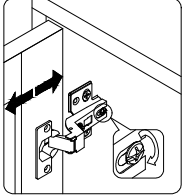


# Step 13

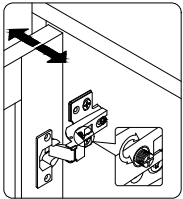
K	X8
	
3.5X14mm	



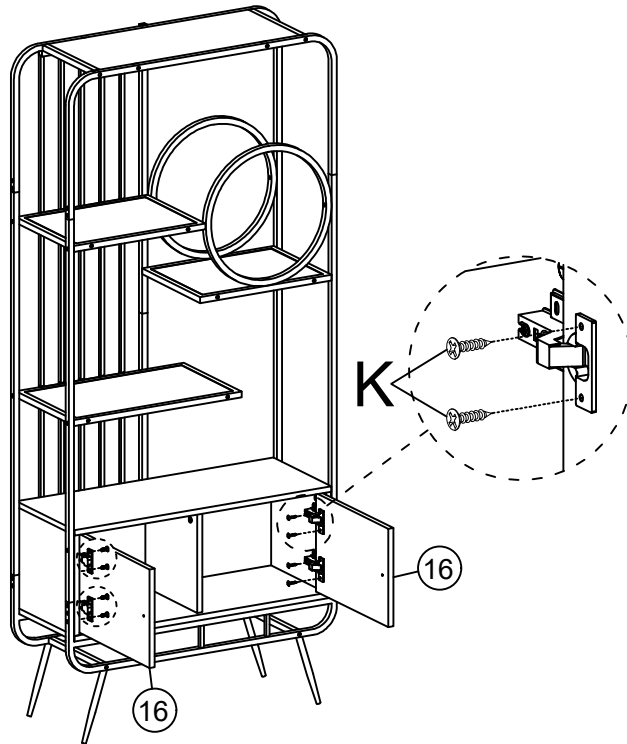
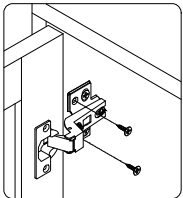
Adjust screws as image-1 to adjust the cabinet door up and down, to fit.




Adjust screws as image-2 to pull the cabinet door in and out to open it smoothly.

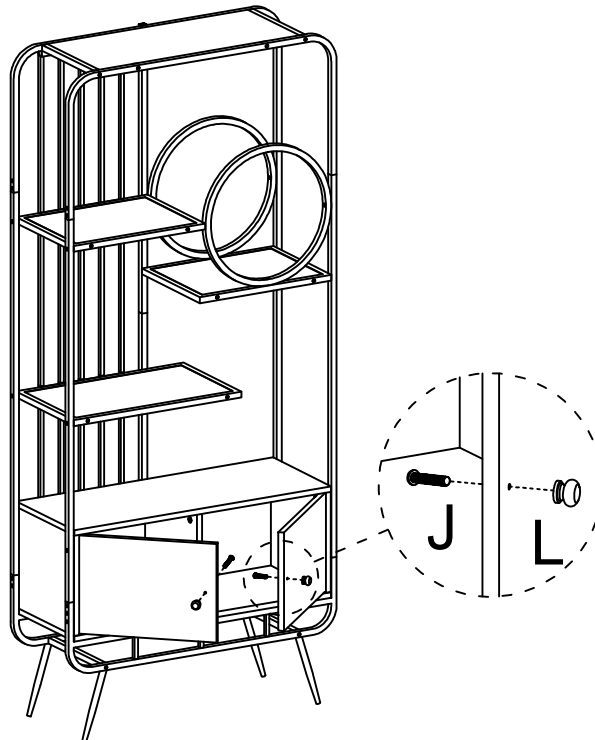


Adjust screws as image-3 to adjust the cabinet door right and left, to fit.

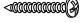




# Step 14

J	X2	L	X2
			
M4X18mm			



# Step 15

I	X2	P	X2	Q	X2
					
4X35mm		φ6X30mm			

