



**WARNING:**

CHOKING HAZARD/SHARP POINTS- Assembly hardware contains small parts and components with sharp points. Adult assembly required.

**Instructions for:  
2871JC & 2872JC Sand & Water Table w/  
Clear Tub**

**Required Tool:**

4mm Hex Wrench (provided)

Hardware Package **HAST**

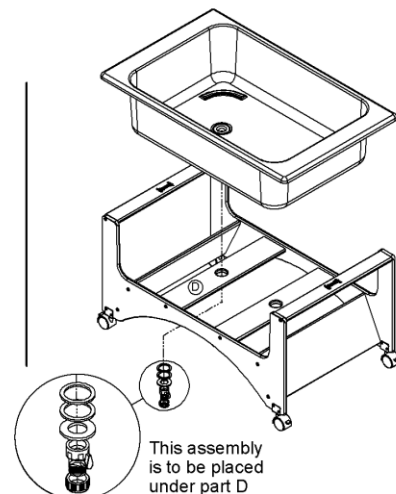
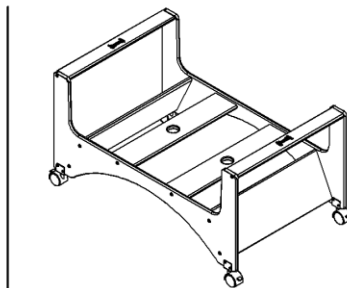
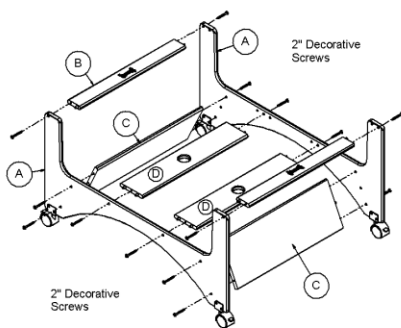
Qty	Description
(16)	<b>XAUR</b> 2" Decorative Screw
(1)	<b>XAUS</b> 4mm Hex Wrench
(1)	<b>XAOF</b> Sand and Water Table Cap
(1)	<b>XEZI</b> Sand and Water Tub Valve
(2)	<b>XAHJ</b> Spacer Washer (Larger Inside Dia.)
(1)	<b>XAHK</b> Bottom Spacer Washer (Smaller Inside Dia.)

**Attention:** Liquids must be drained from the table daily and the tub dried with a soft cloth to prevent mold growth and damage to the table. To avoid damage to the cover and support pieces, allow any remaining moisture to dry prior to putting the cover on. Dry off any moisture on the wood frame of the unit using a soft cloth.

**Assembly Instructions:**

1. Remove the cover and the plastic tub (not shown on drawing) and set aside.
2. Place one side "A" flat on the floor with all of the holes facing up.
3. Assemble the unit by placing all parts "B", "C", and "D" in the appropriate holes using the alignment dowels to temporarily hold the assembly together.
4. Place the other side "A" with all of the holes facing down on top of parts "B", "C", and "D" by aligning the dowels pins with the holes in the side to hold them temporarily in place.
5. Install the screws in the holes in the side and tighten all of the screws securely with the provided 4mm hex key wrench.
6. Carefully turn the whole unit over and repeat step #5.
7. Place the table upright and install the plastic tub in the table frame, making sure the spout on the tub goes into the hole on one of the under-tub supports "D".
8. Install the spacer washers over the spout and thread the valve on the spout. Tighten the valve. When done properly, the spacers will still be able to turn freely.
9. Thread the cap on the valve and tighten. **NOTE: If leaking occurs around valve unscrew the valve and remove one of the rubber washers from the valve and retighten.**
10. Set the cover on the tub.

If you experience any difficulties when assembling this product, please contact the Jonti-Craft Customer Relations Team at (800) 543-4149 or sales@jonti-craft.com. All other requests for assistance must be directed to your Jonti-Craft Dealer.



**General Care & Maintenance Guidelines:**

[www.jonti-craft.com/generalcare](http://www.jonti-craft.com/generalcare)