

STORAGE CABINET

User Manual

INTRODUCTION

Thank you for choosing the Storage Cabinet. Please read this user manual carefully and keep it for future reference. If you need any assistance, please contact us by email with your order number and details.

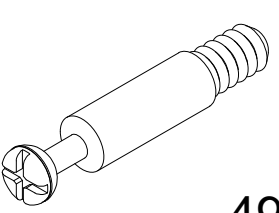
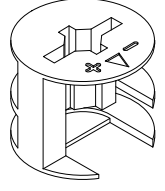
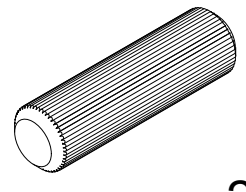
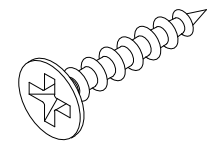
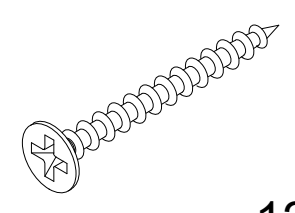
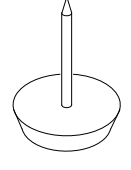
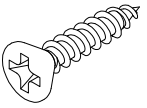
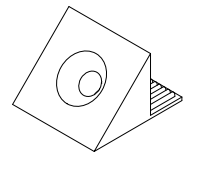
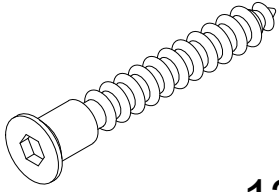
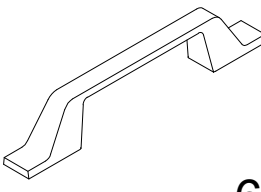
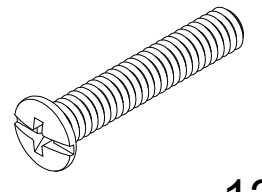
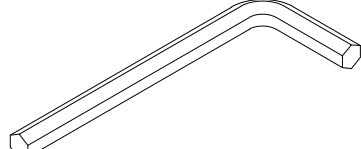
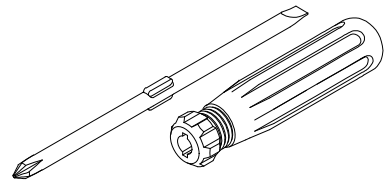
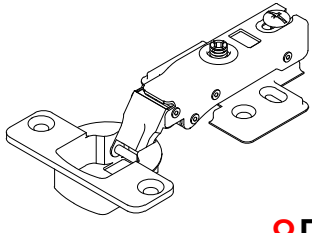
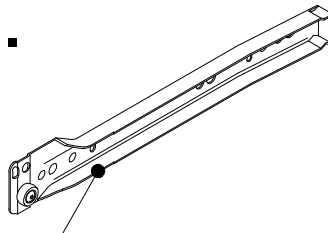
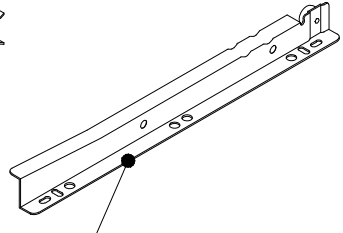
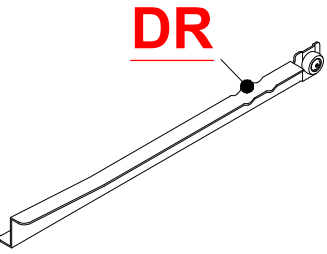
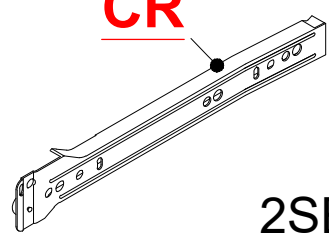
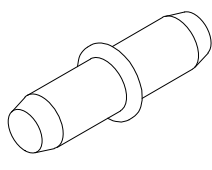
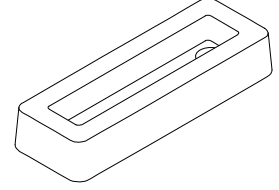
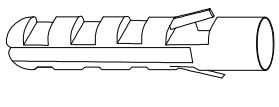
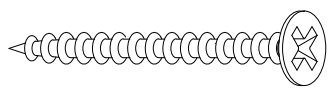
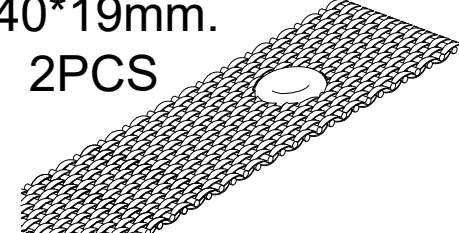
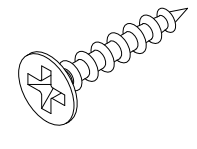
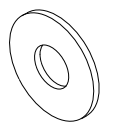
PACKAGE CONTENTS

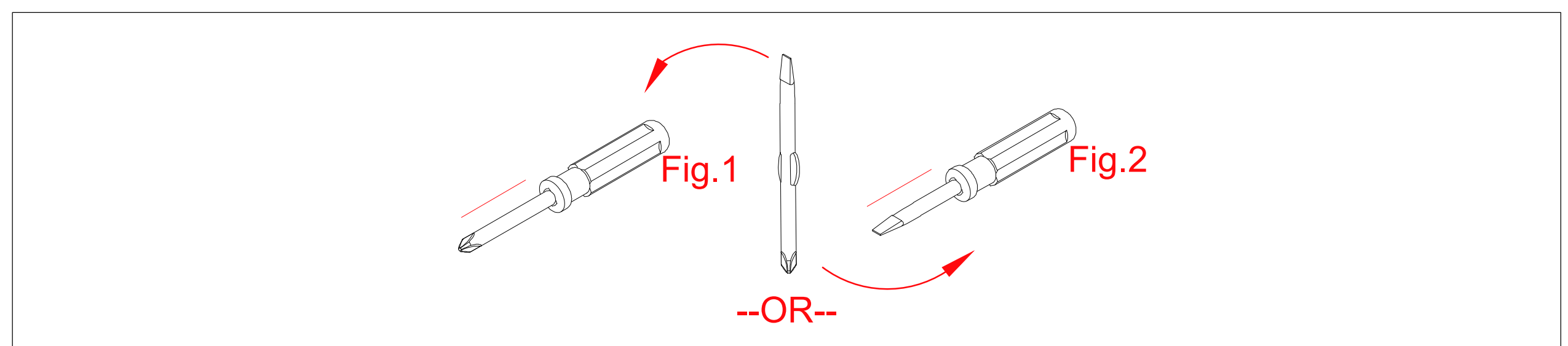
- 1 x Storage Cabinet
- 1 x Pack of Accessories
- 1 x User Manual

PRODUCT CARE

- Please follow the instruction to assemble this item correctly.
- Don't make the screws be too loose or too tight.
- Please put the screws into the holes' position just as shown in the arrows of the image, and then clockwise rotate 90° or 180°
- More product parts, it is recommended that two people install
- The fittings pack contains small accessories that should be kept away from small children.

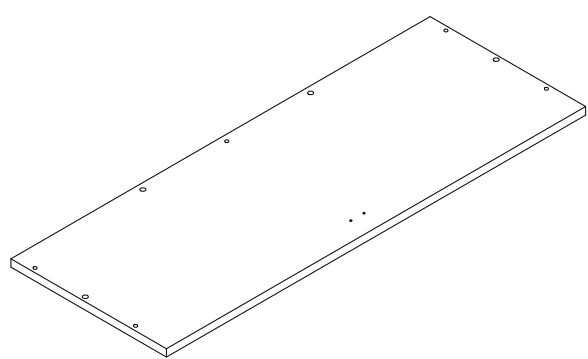
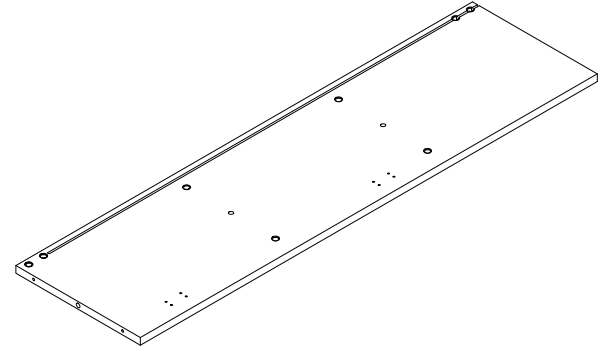
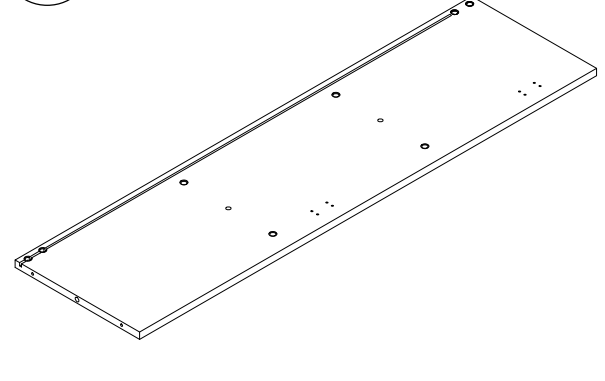
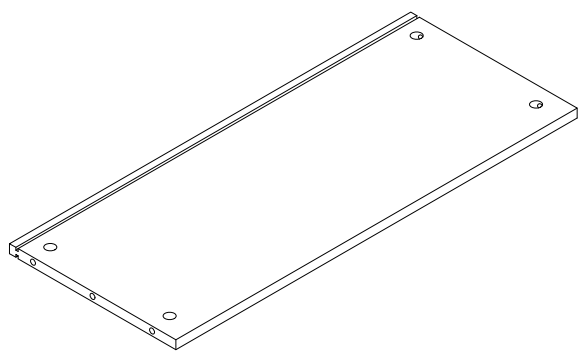
HARDWARE SUPPLIED

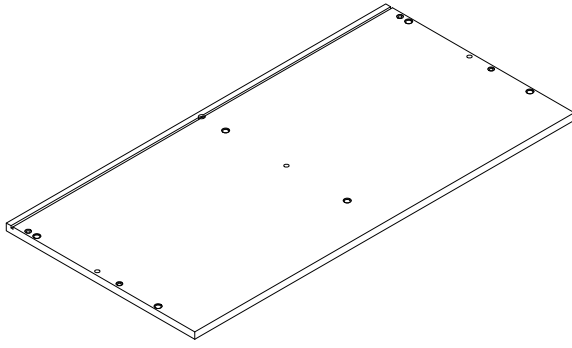
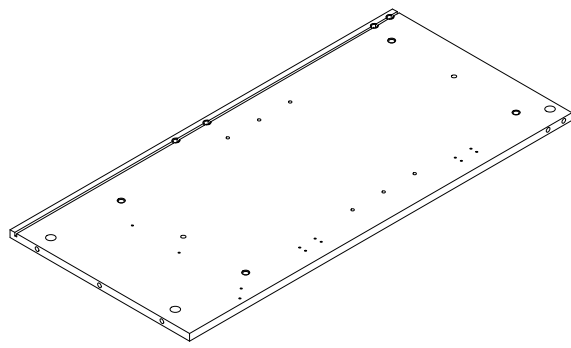
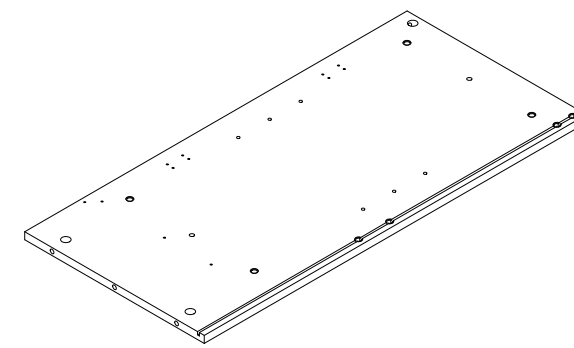
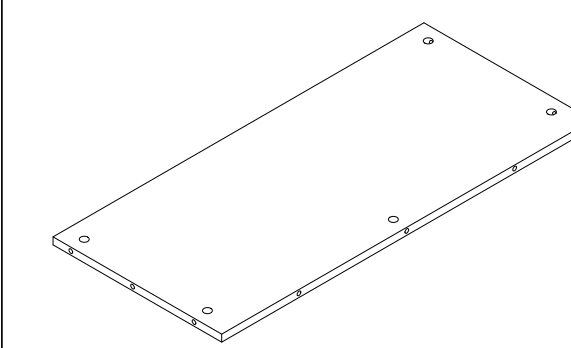
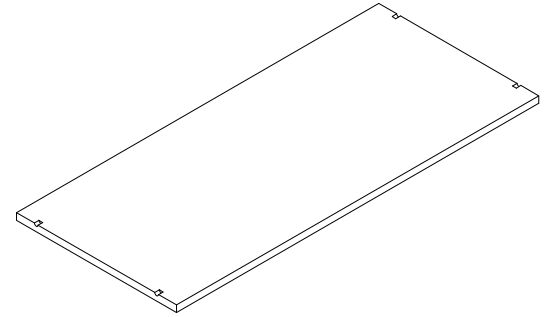
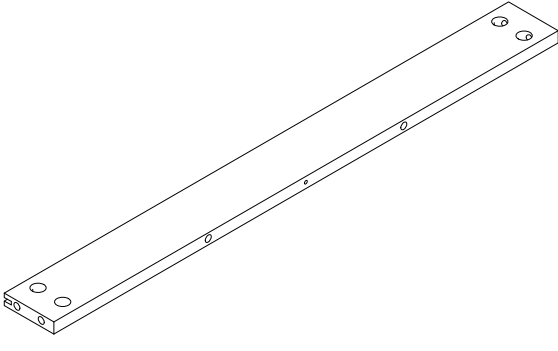
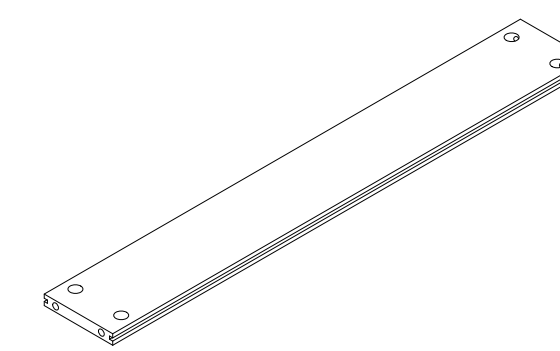
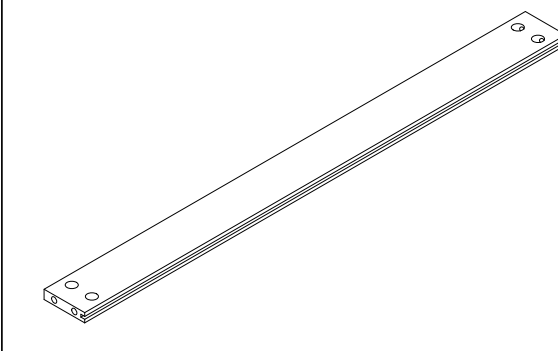
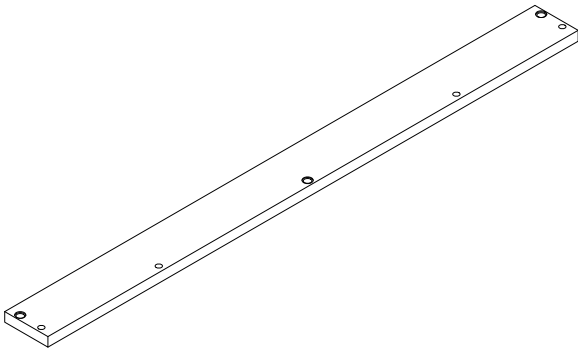
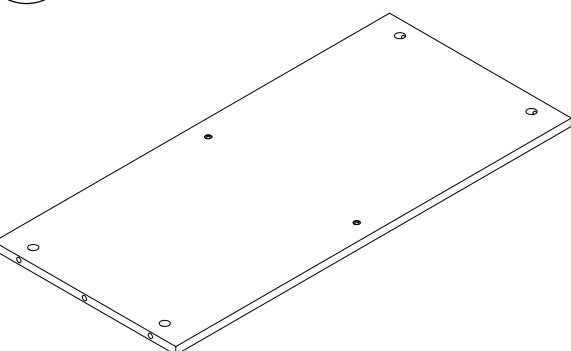
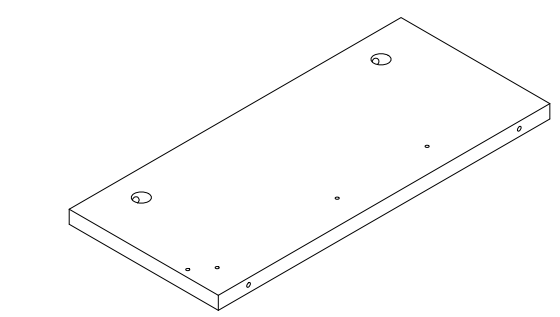
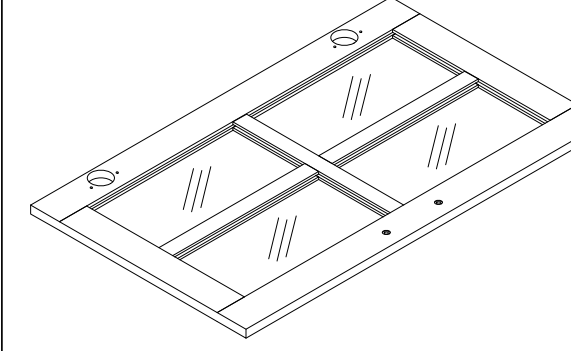
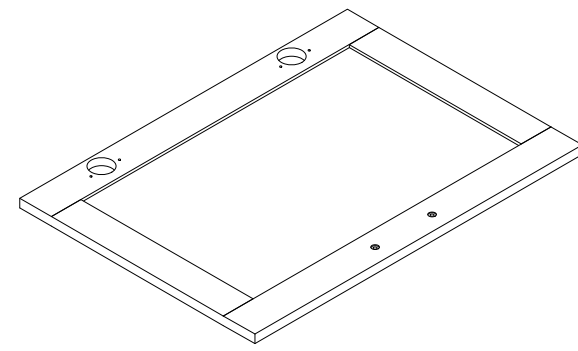
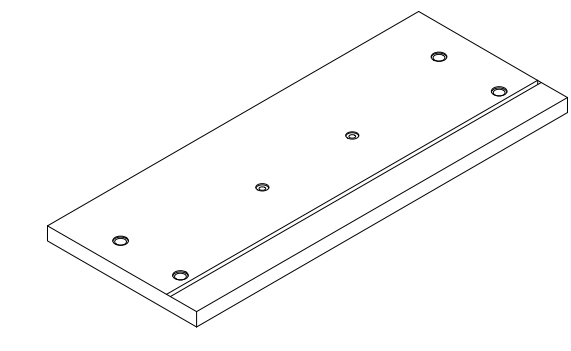
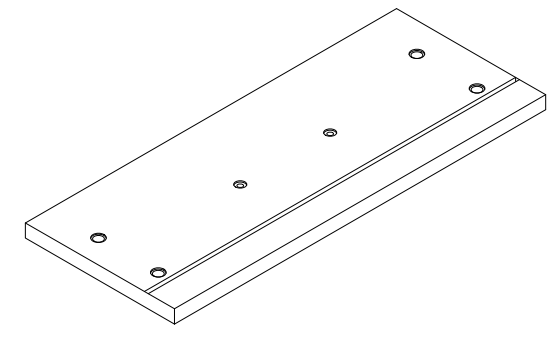
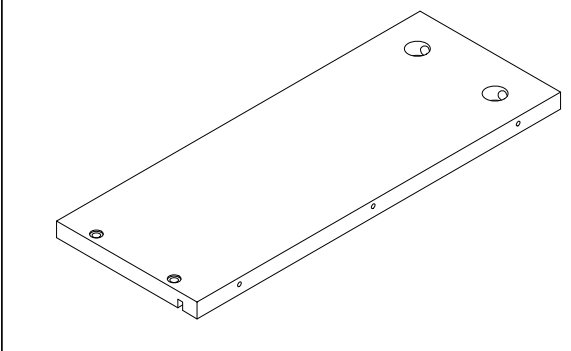
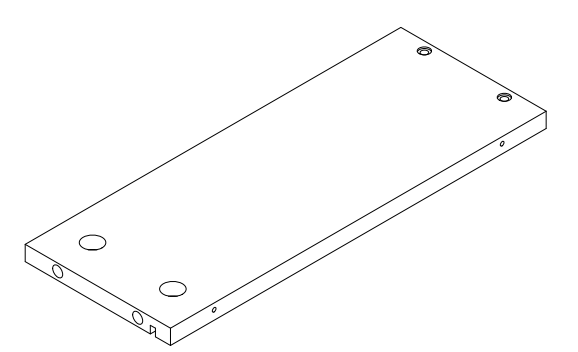
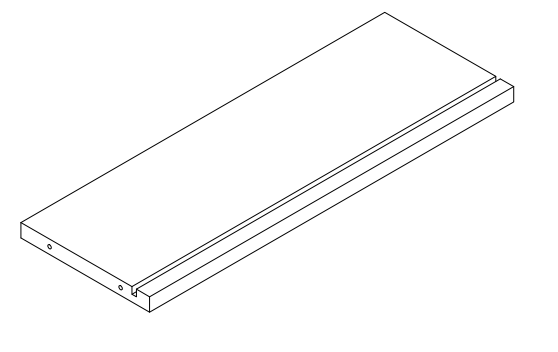
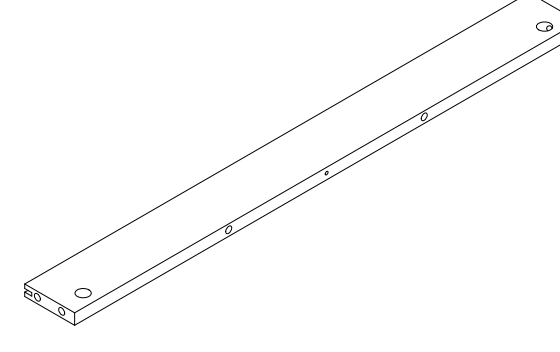
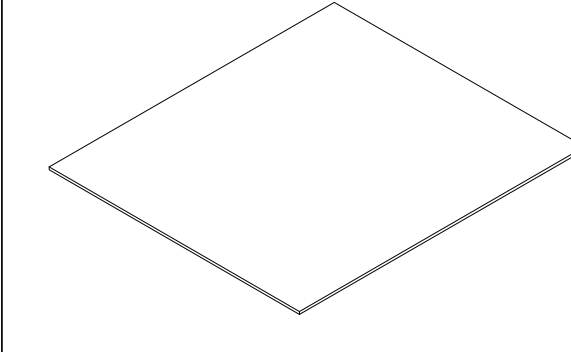
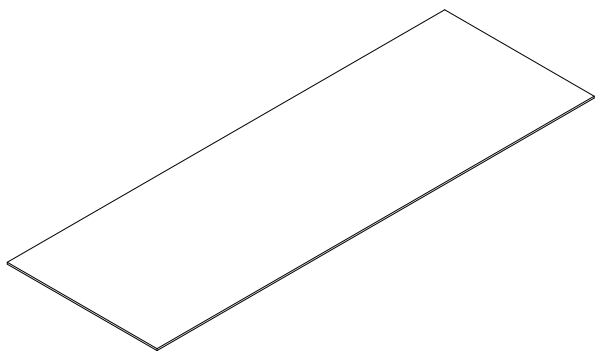
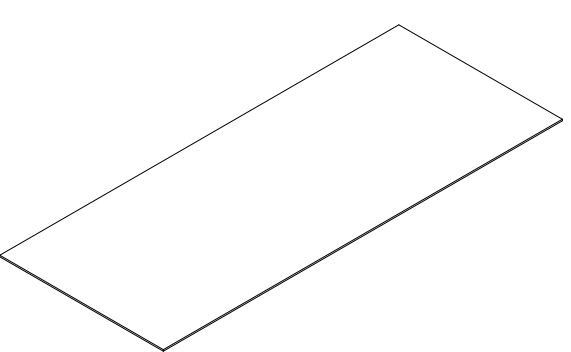
A. 6.5x35mm  49PCS	B. 15x9.8mm  49PCS	C. Ø8x30mm  26PCS	D. M3.5x14mm  80PCS	E. M4x35mm  12PCS
F. Ø13.8*18*4mm  4PCS	G. G.1  20PCS G.2  20PCS	H. #9.5xM5x46mm  12PCS	I. 142*10*27mm  6PCS	J. M4*16mm  12PCS
K. Ø4*57*21mm  1PC	L. 140mm  1PC	M.  8PCS		
N.  CL  DL  DR  CR 12inch/300mm 2SET		O. Ø5*7*17mm  4PCS	P. 37*13*7mm  1PC	
Q.1  Ø6x35mm. 2PCS	Q.2  Ø8xM4x35mm. 2PCS	R.1 140*19mm. 2PCS 	R.2  Ø8xM4x16mm. 2PCS	R.3  Ø16xØ6x1mm. 4PCS



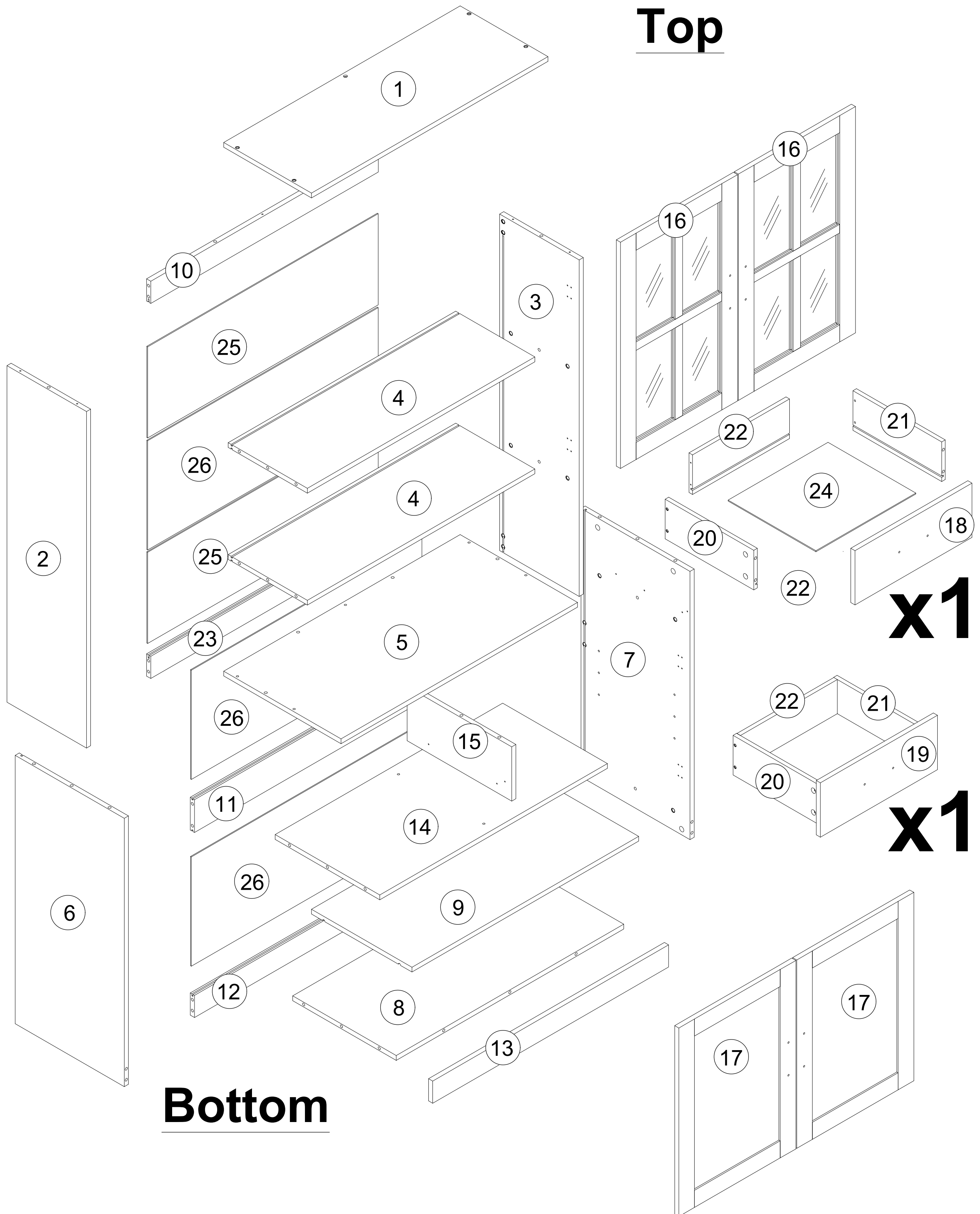
PARTS LIST

Unit: (mm)

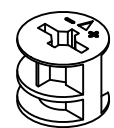
1 800*297  1PC	2 986*269  1PC	3 986*269  1PC	4 768*268  2PCS
--	---	--	---

<p>⑤ 800*397</p>  <p>1PC</p>	<p>⑥ 786*369</p>  <p>1PC</p>	<p>⑦ 786*369</p>  <p>1PC</p>	<p>⑧ 768*350</p>  <p>1PC</p>
<p>⑨ 765*340</p>  <p>1PC</p>	<p>⑩ 768*65</p>  <p>1PC</p>	<p>⑪ 768*96</p>  <p>1PC</p>	<p>⑫ 768*65</p>  <p>1PC</p>
<p>⑬ 798*65</p>  <p>1PC</p>	<p>⑭ 768*354</p>  <p>1PC</p>	<p>⑮ 354*159</p>  <p>1PC</p>	<p>⑯ 663*396.5</p>  <p>2PCS</p>
<p>⑰ 552*396.5</p>  <p>2PCS</p>	<p>⑱ 396.5*159</p>  <p>1PC</p>	<p>⑲ 396.5*159</p>  <p>1PC</p>	<p>⑳ 300*116</p>  <p>2PCS</p>
<p>㉑ 300*116</p>  <p>2PCS</p>	<p>㉒ 327.5*116</p>  <p>2PCS</p>	<p>㉓ 768*65</p>  <p>1PC</p>	<p>㉔ 338*296</p>  <p>2PCS</p>
<p>㉕ 778*267</p>  <p>2PCS</p>	<p>㉖ 778*320</p>  <p>3PCS</p>		

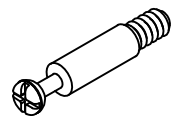
PANEL LAYOUT



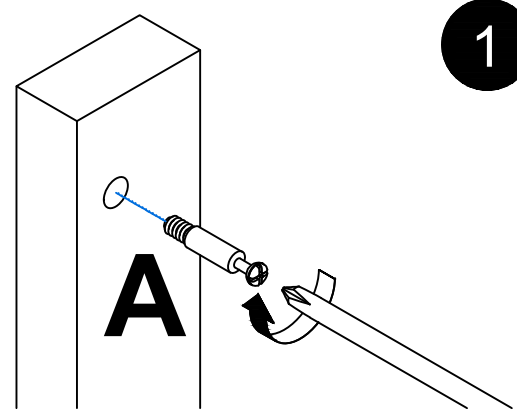
HOW TO



Cam lock

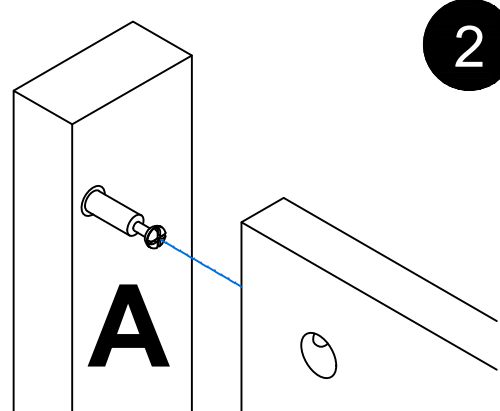


Cam bolt



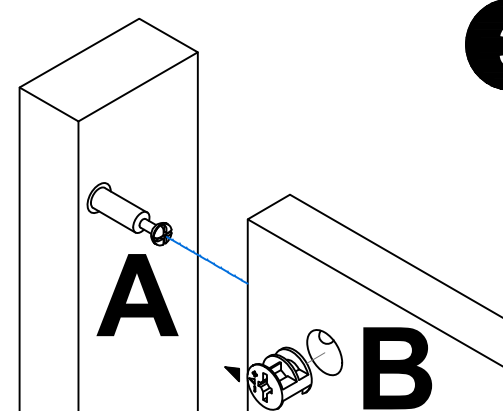
1

1. Screw Cam Bolt into panel



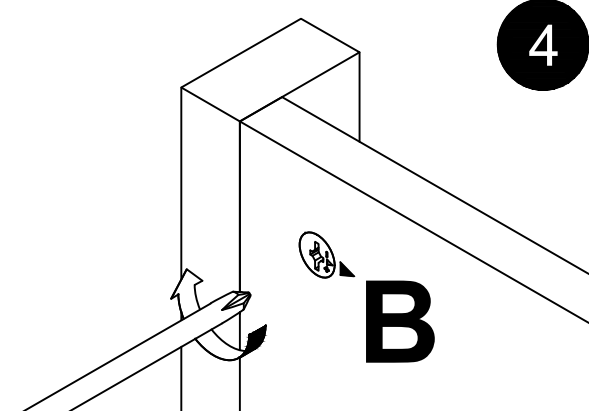
2

2. Insert Cam Bolt into bolt hole of joining panel.



3

3. Insert Cam Lock with arrow facing bolt.



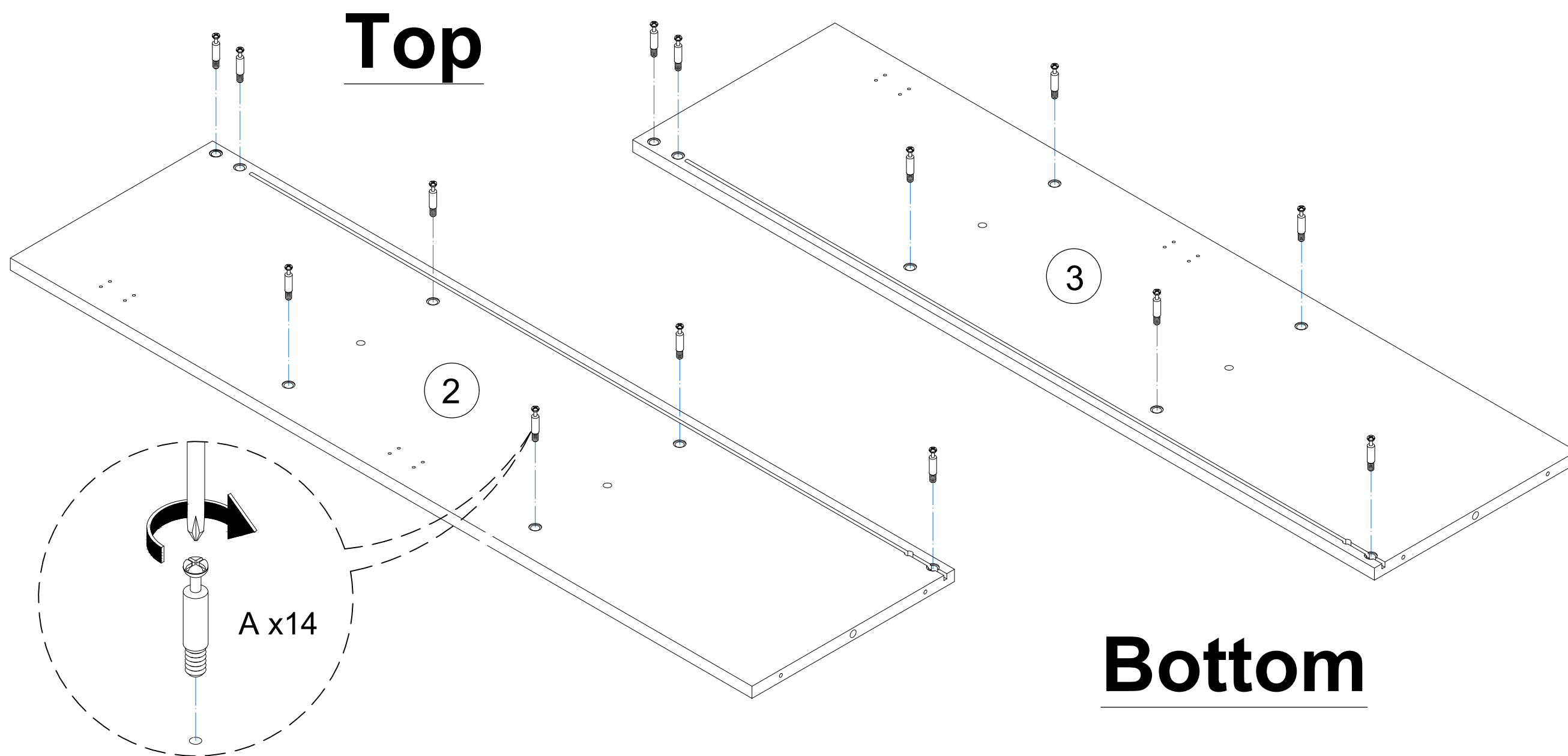
4

4. Gently turn Cam Lock 180° clockwise to lock into position.

1

YOU WILL NEED

A x14

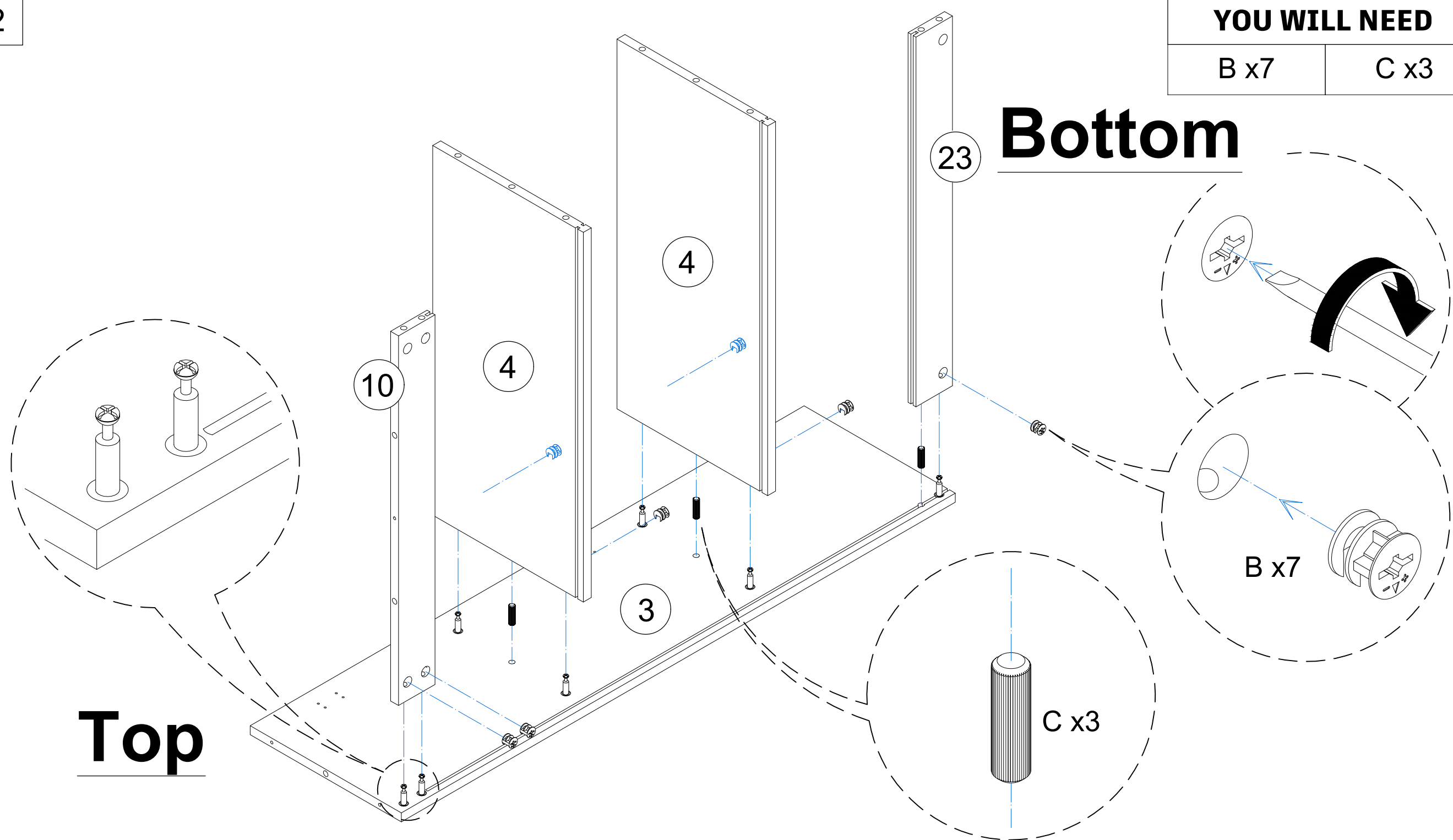


2

YOU WILL NEED

B x7

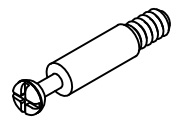
C x3



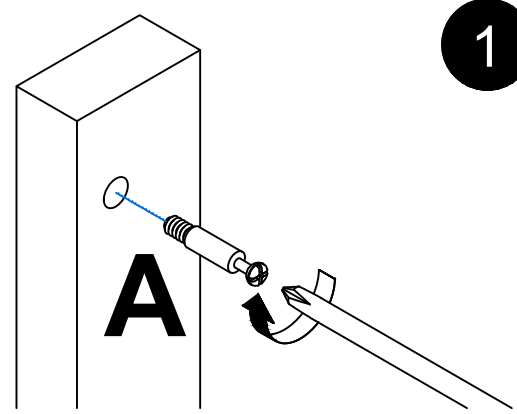
HOW TO



Cam lock

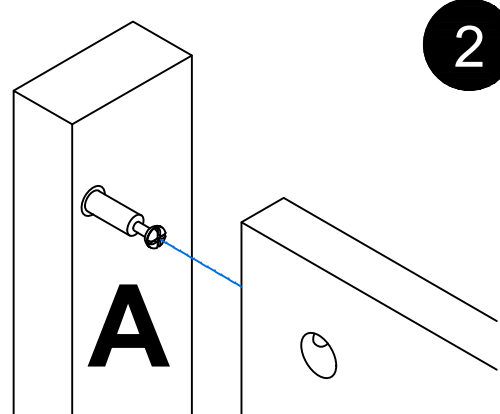


Cam bolt



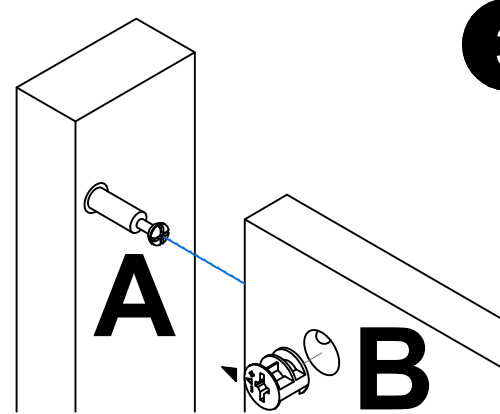
1

1. Screw Cam Bolt into panel



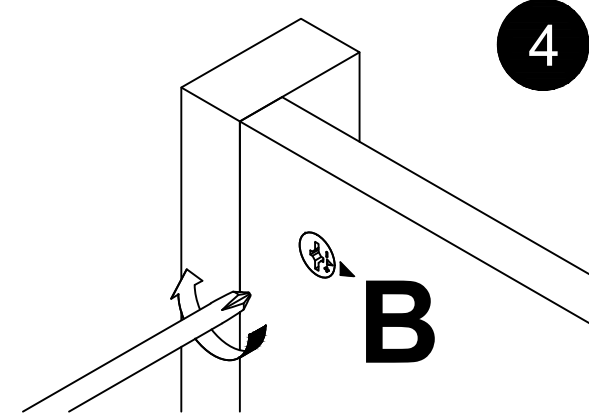
2

2. Insert Cam Bolt into bolt hole of joining panel.



3

3. Insert Cam Lock with arrow facing bolt.

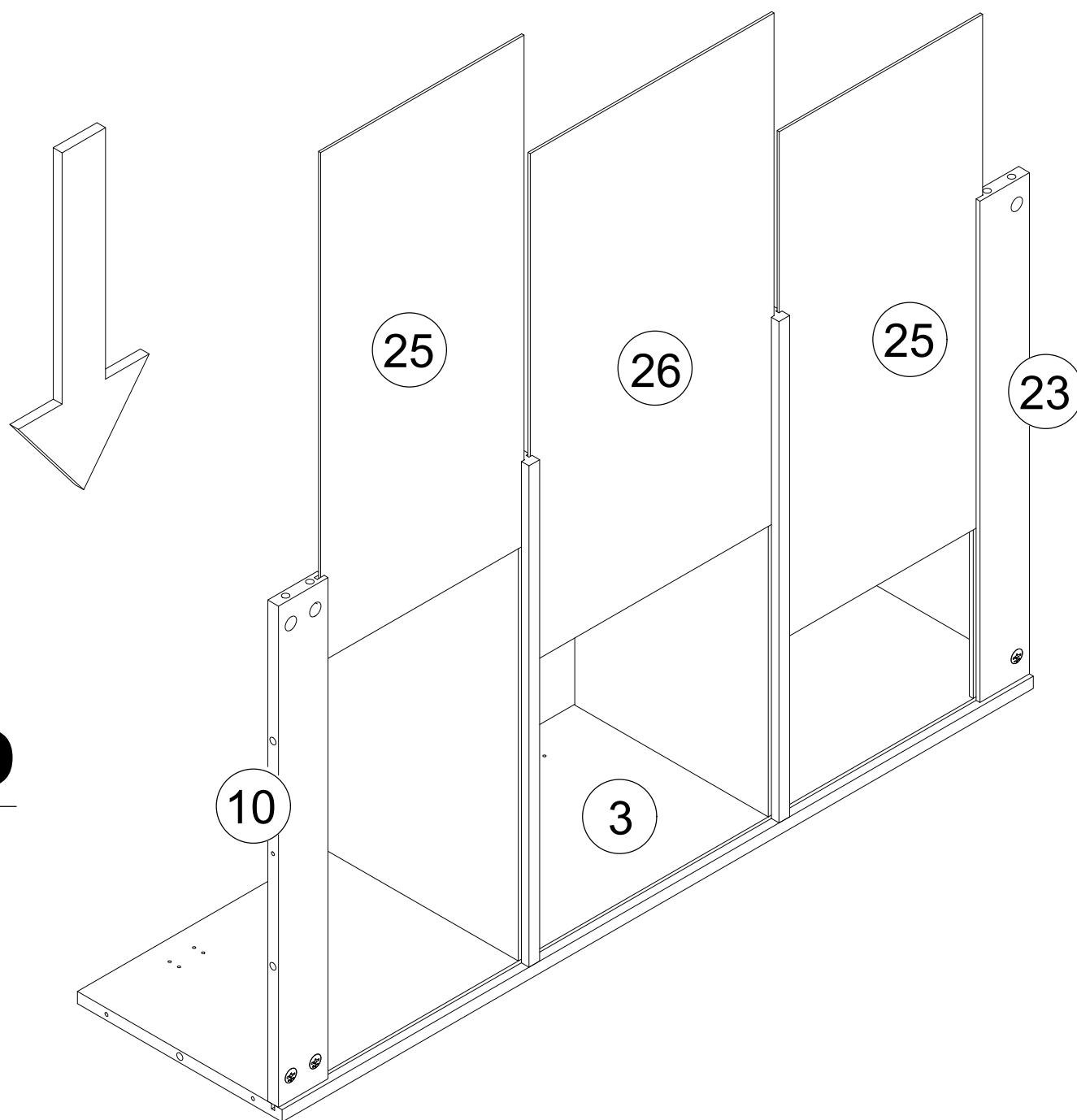


4

4. Gently turn Cam Lock 180° clockwise to lock into position.

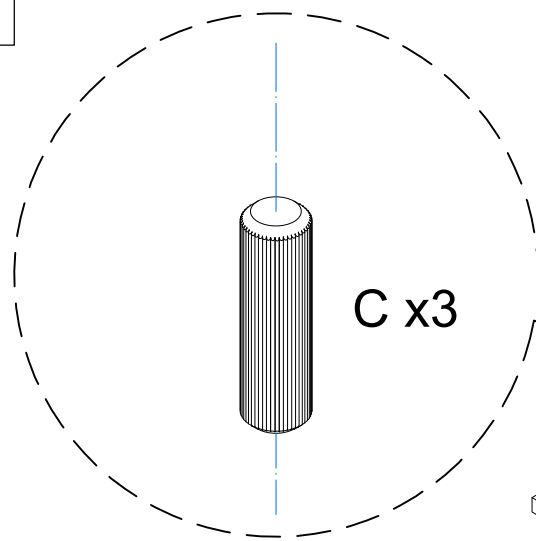
3

Top



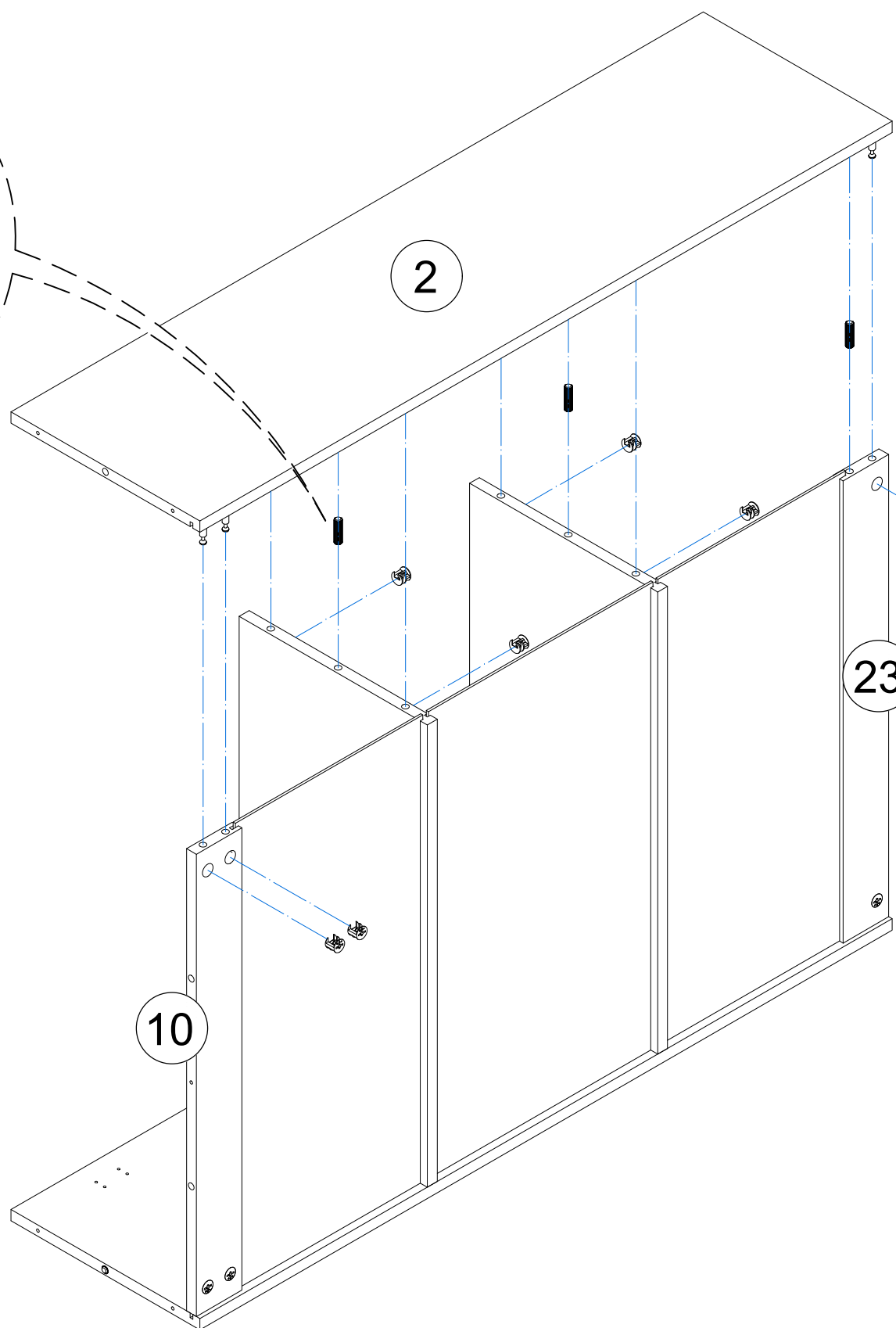
Bottom

4



C x3

Top

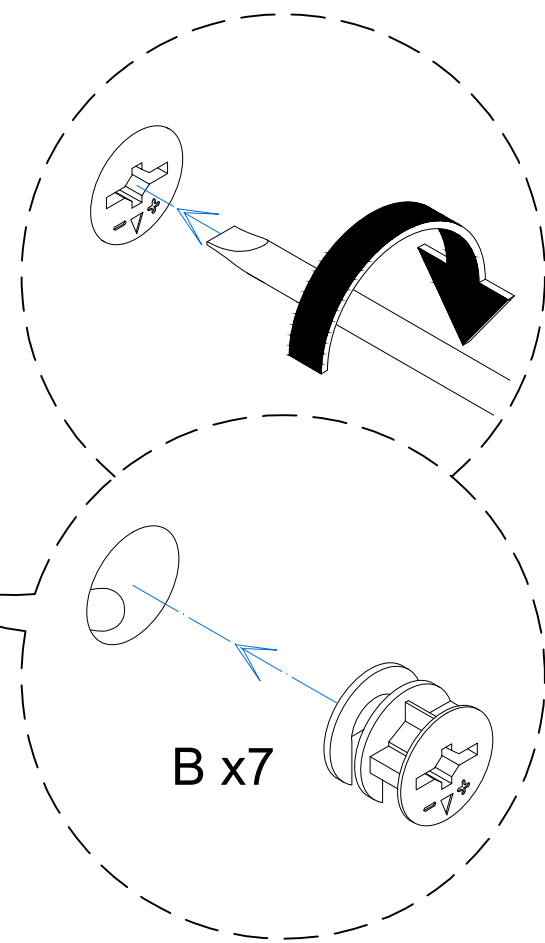


Bottom

YOU WILL NEED

B x7

C x3



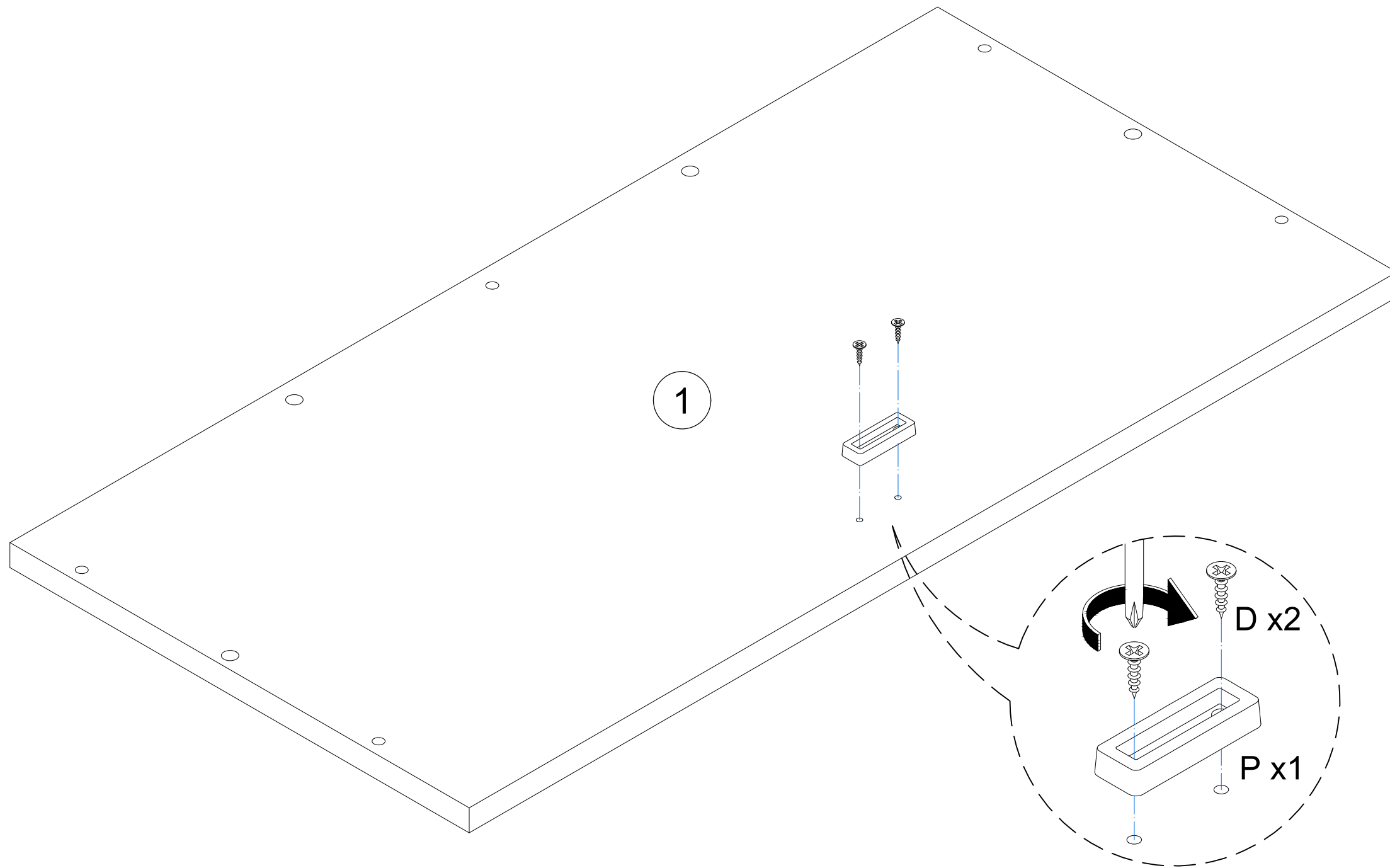
B x7

5

YOU WILL NEED

D x2

P x1

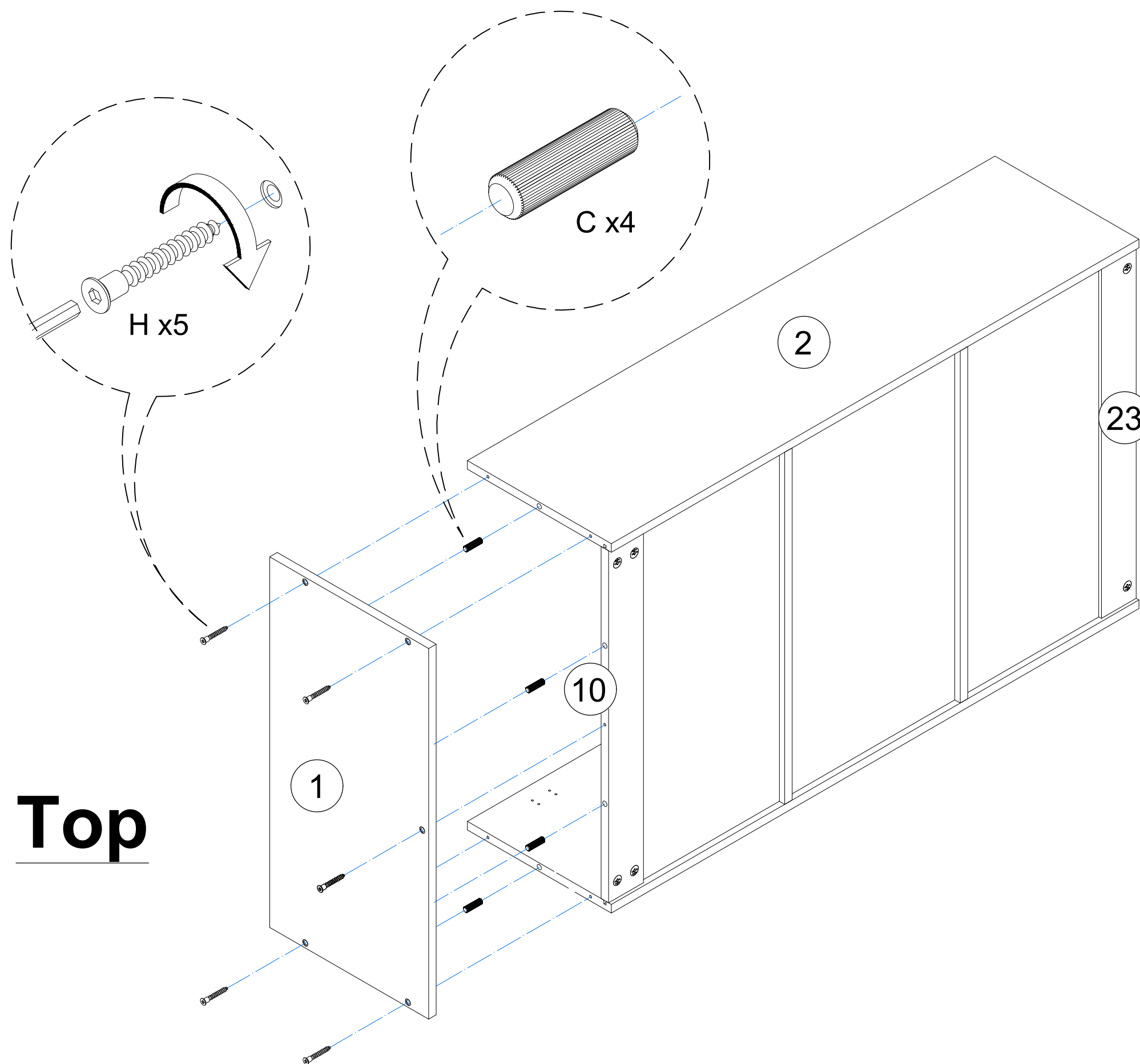


6

YOU WILL NEED

C x4

H x5



Top

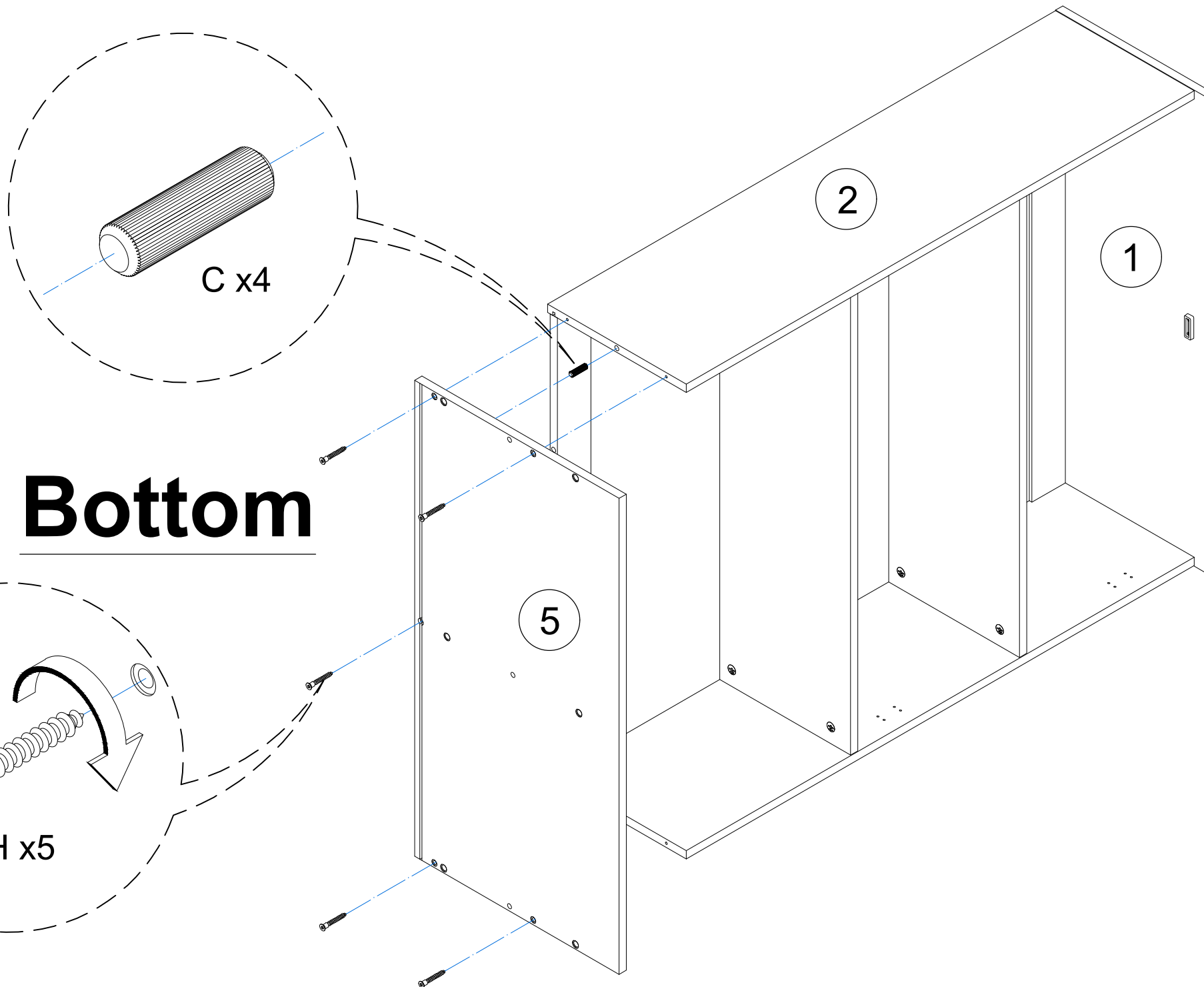
Bottom

7

YOU WILL NEED

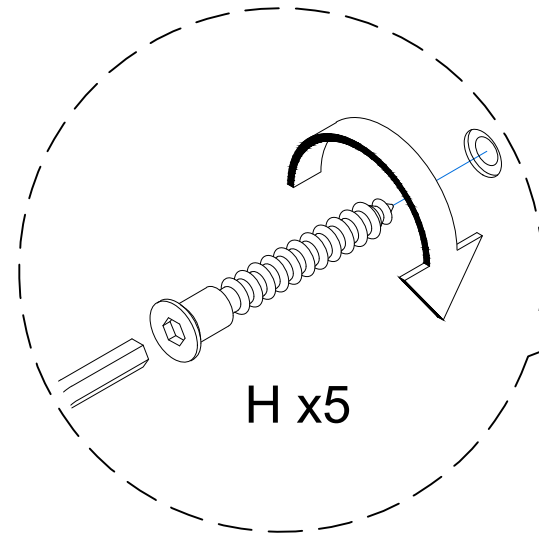
C x4

H x5

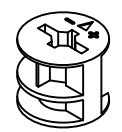


Top

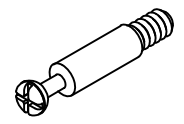
Bottom



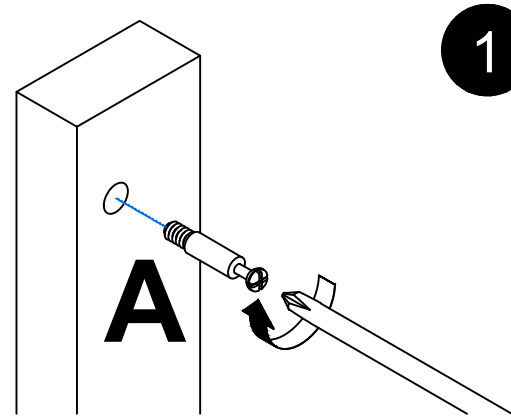
HOW TO



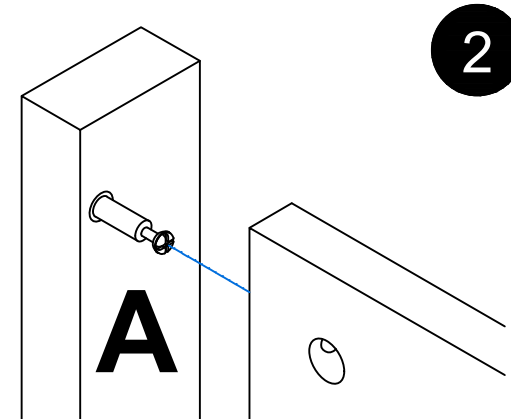
Cam lock



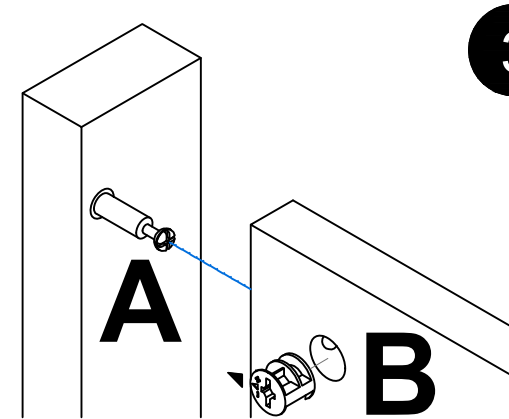
Cam bolt



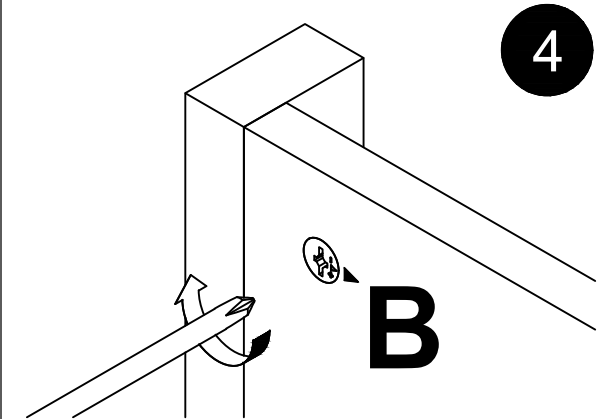
1. Screw Cam Bolt into panel



2. Insert Cam Bolt into bolt hole of joining panel.



3. Insert Cam Lock with arrow facing bolt.

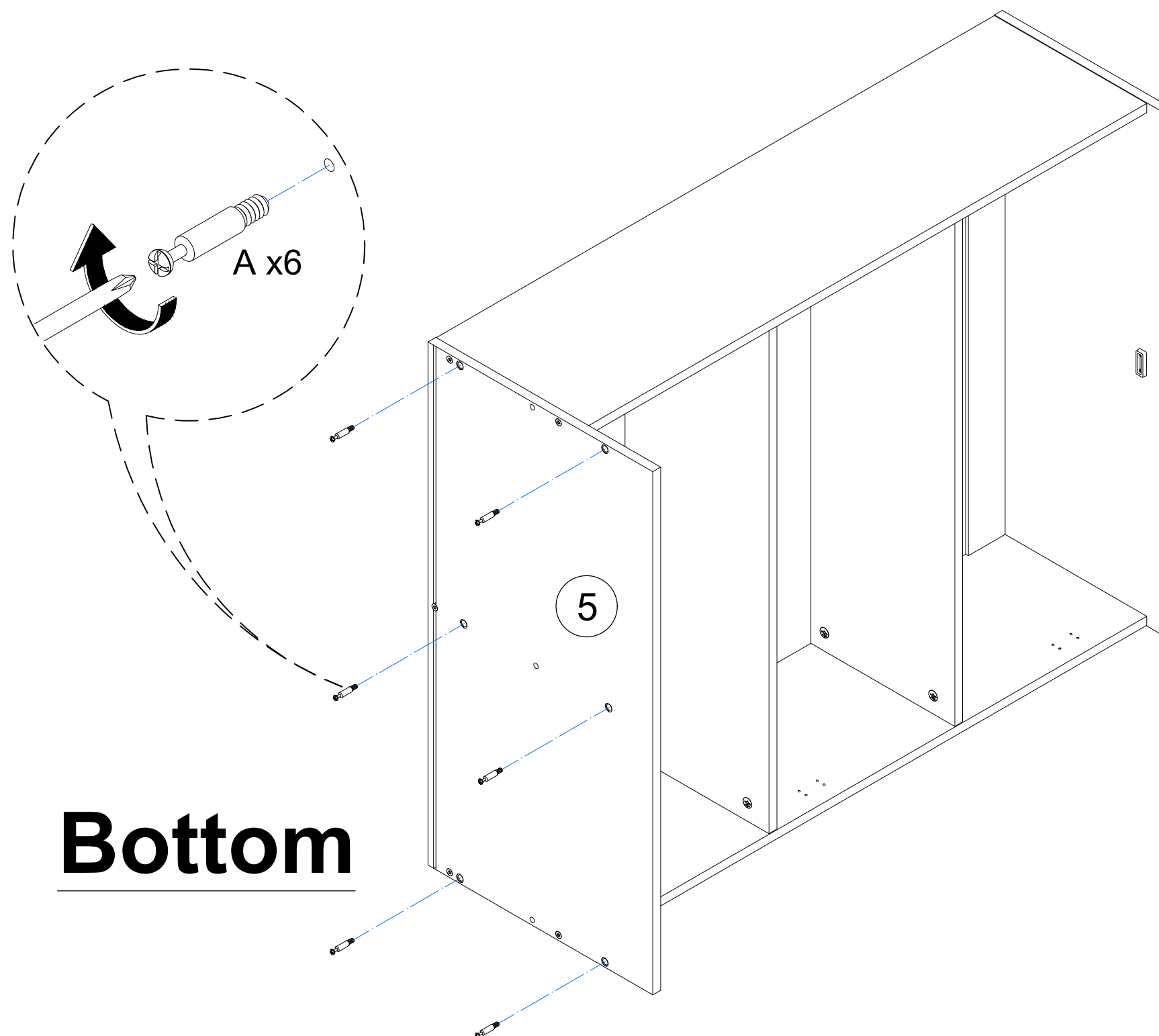


4. Gently turn Cam Lock 180° clockwise to lock into position.

8

YOU WILL NEED

A x6



Bottom

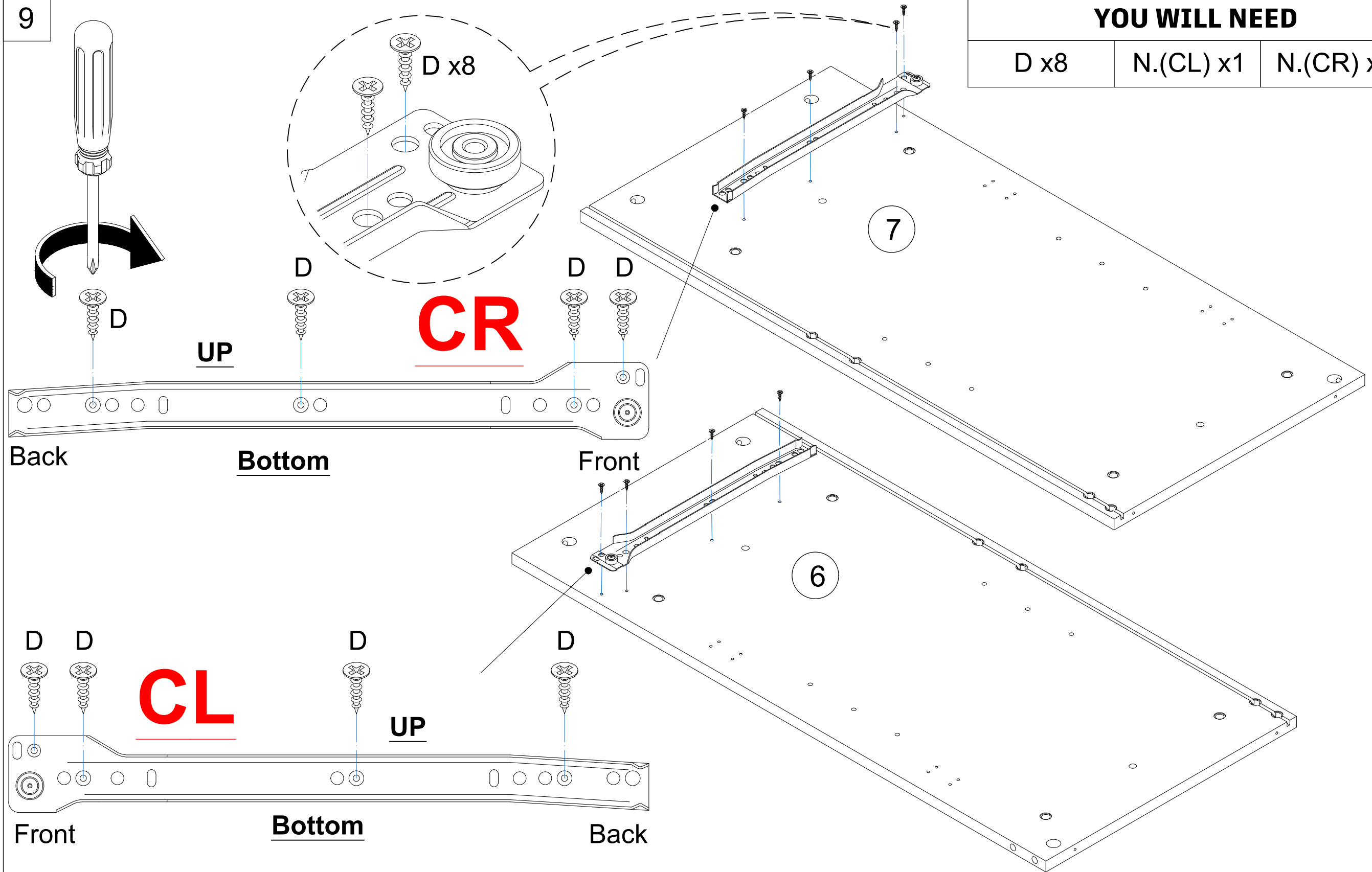
9

YOU WILL NEED

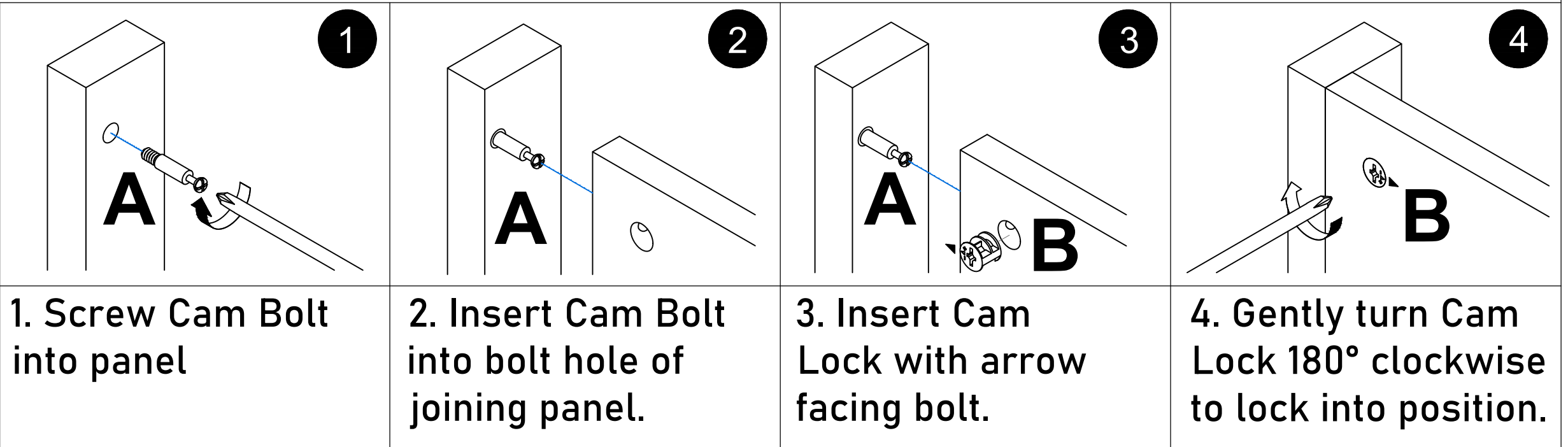
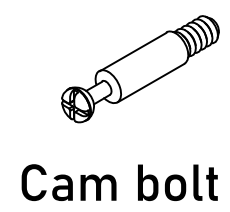
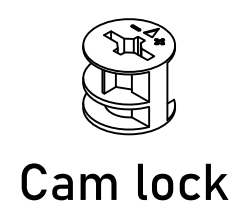
D x8

N.(CL) x1

N.(CR) x1



HOW TO



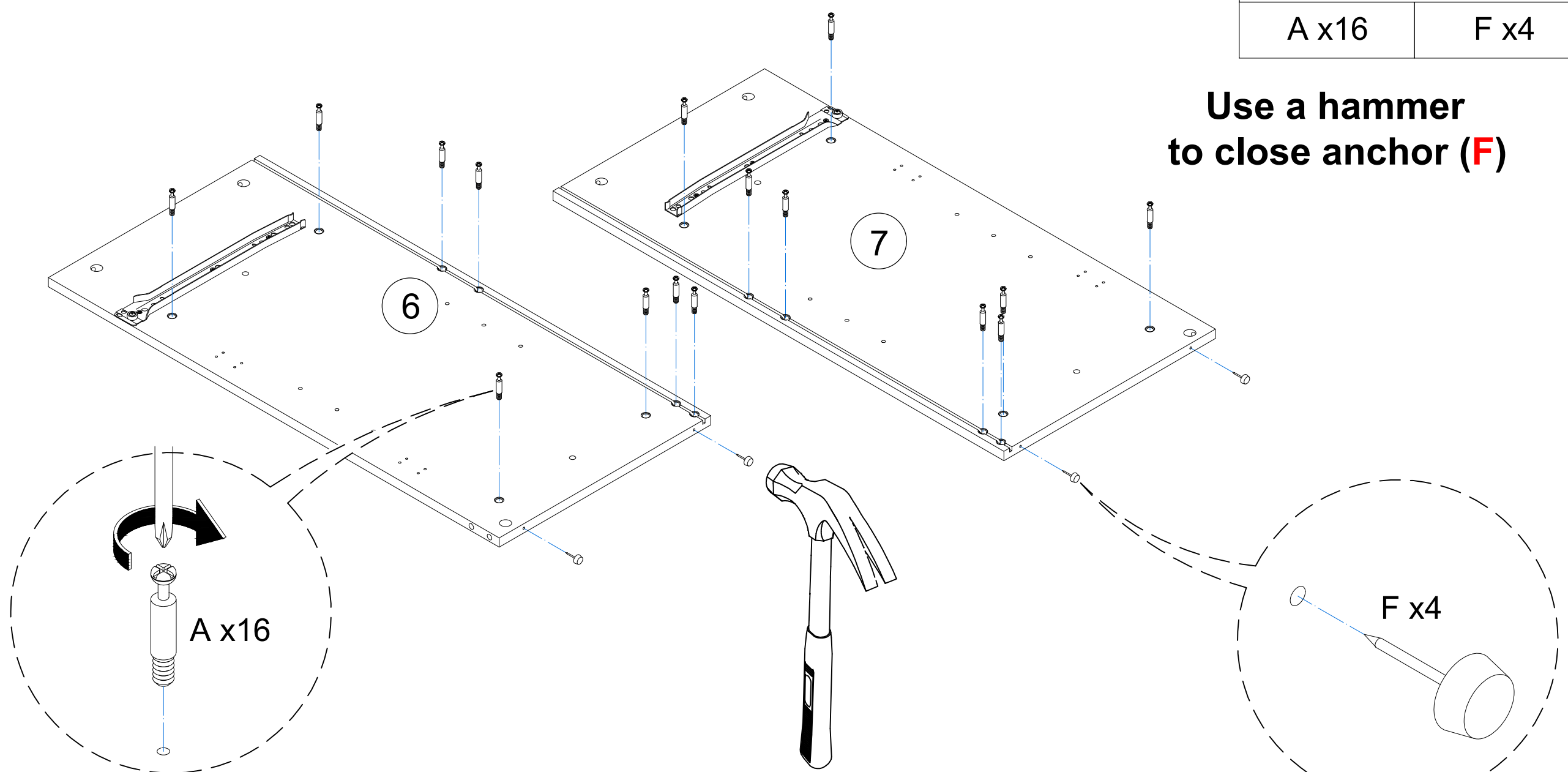
10

YOU WILL NEED

A x16

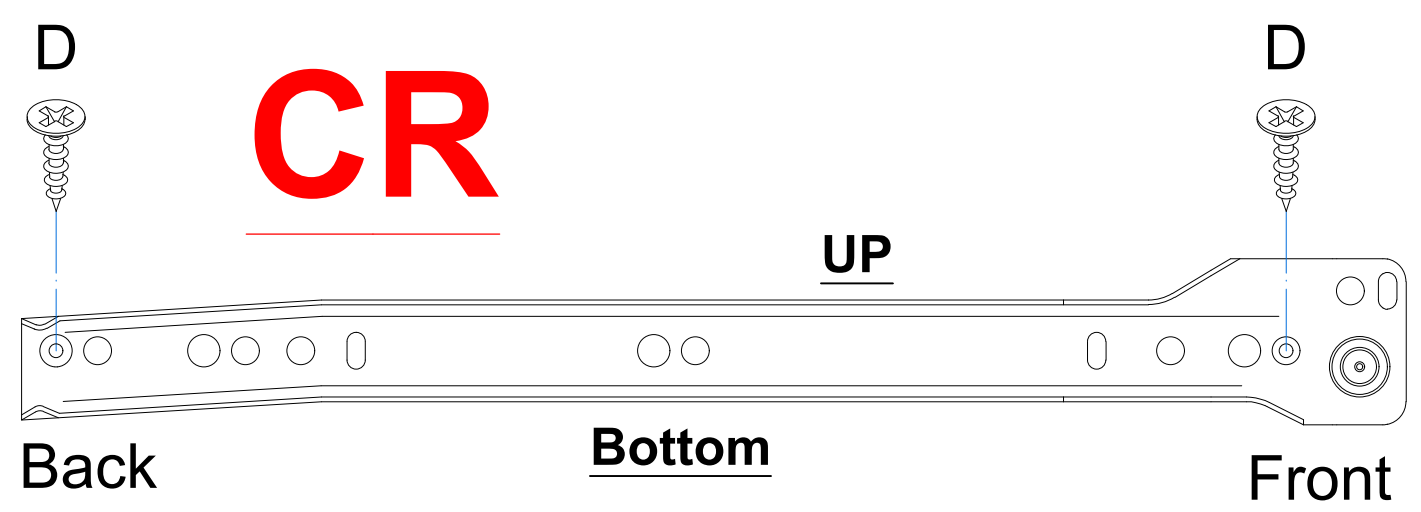
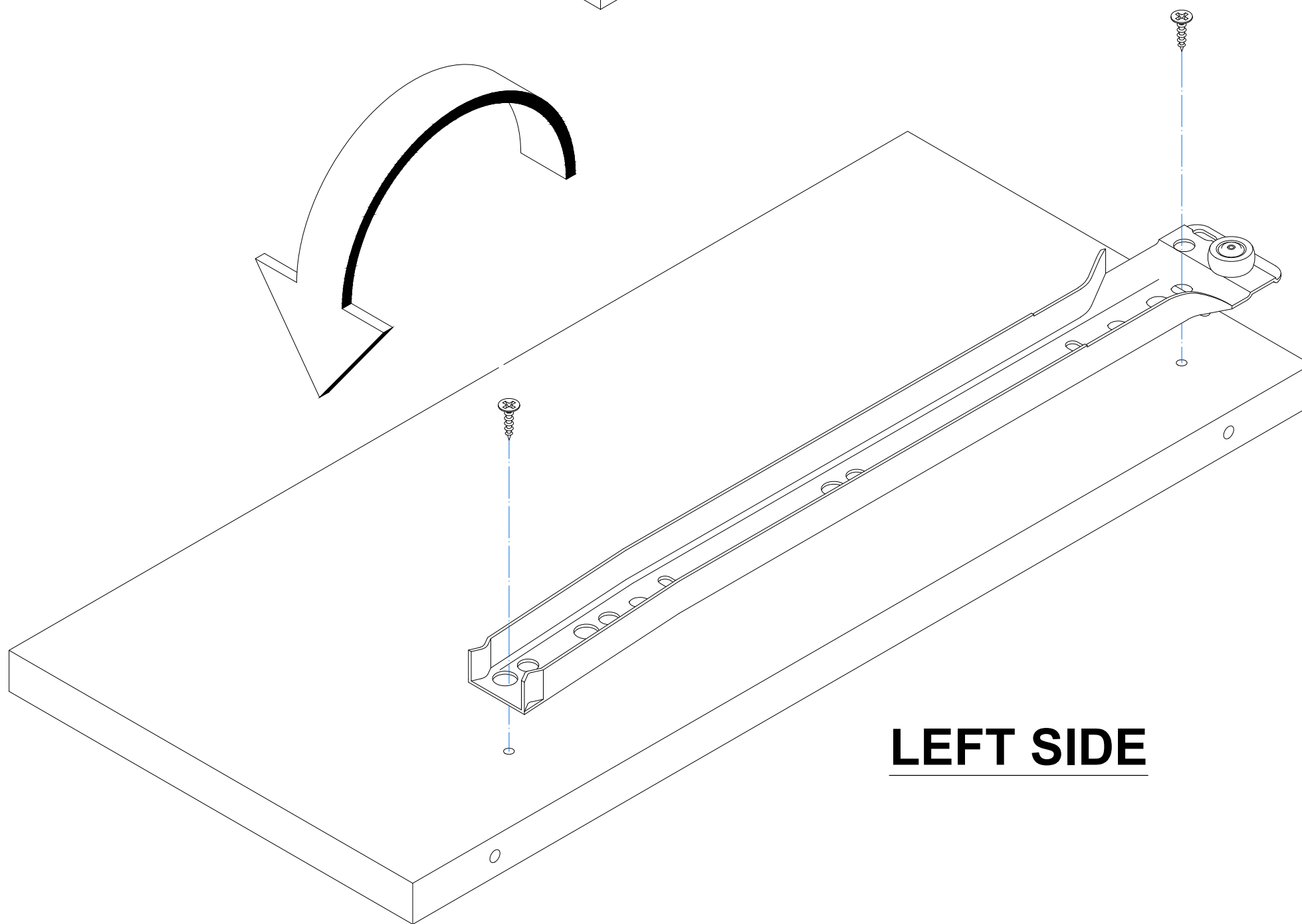
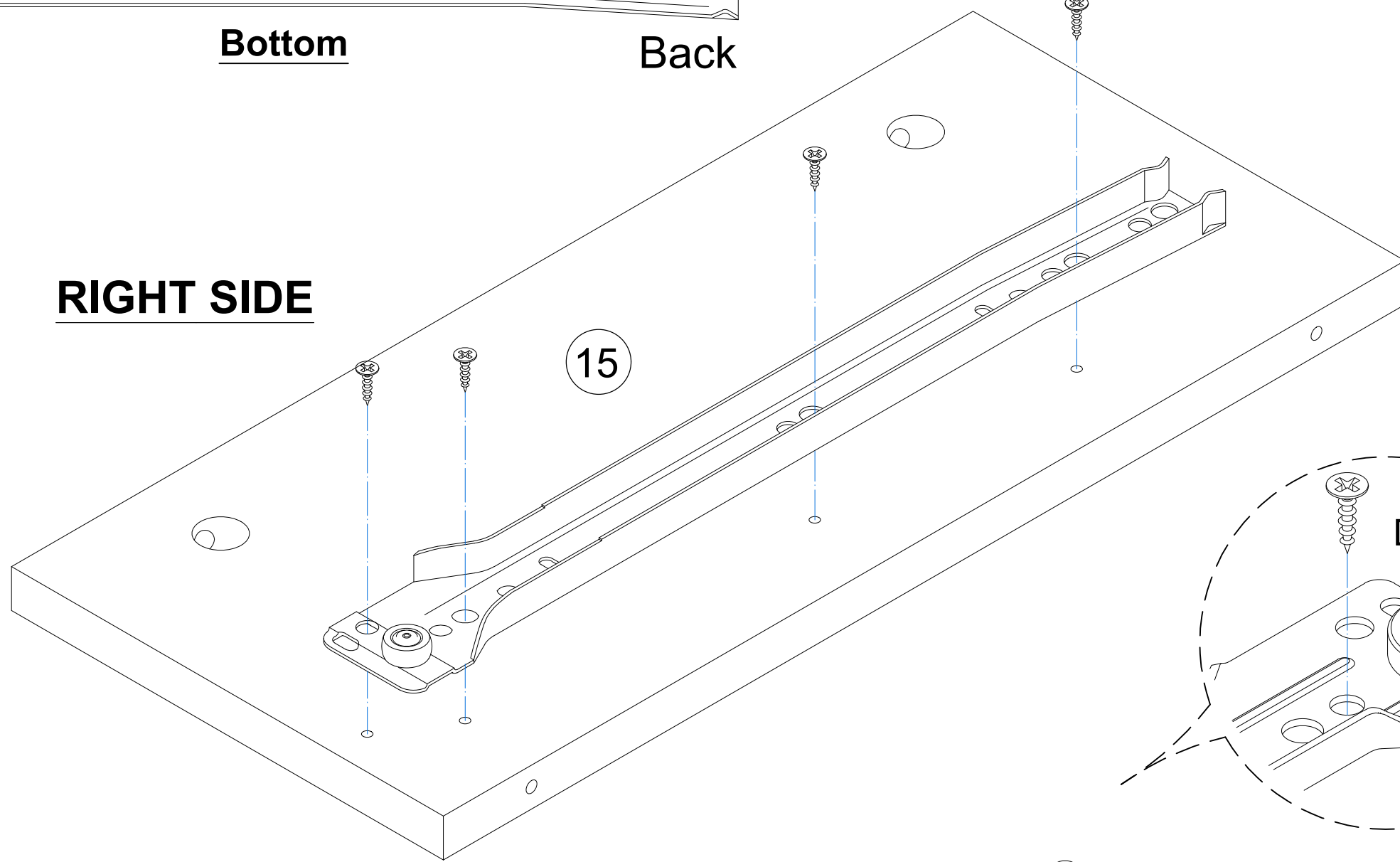
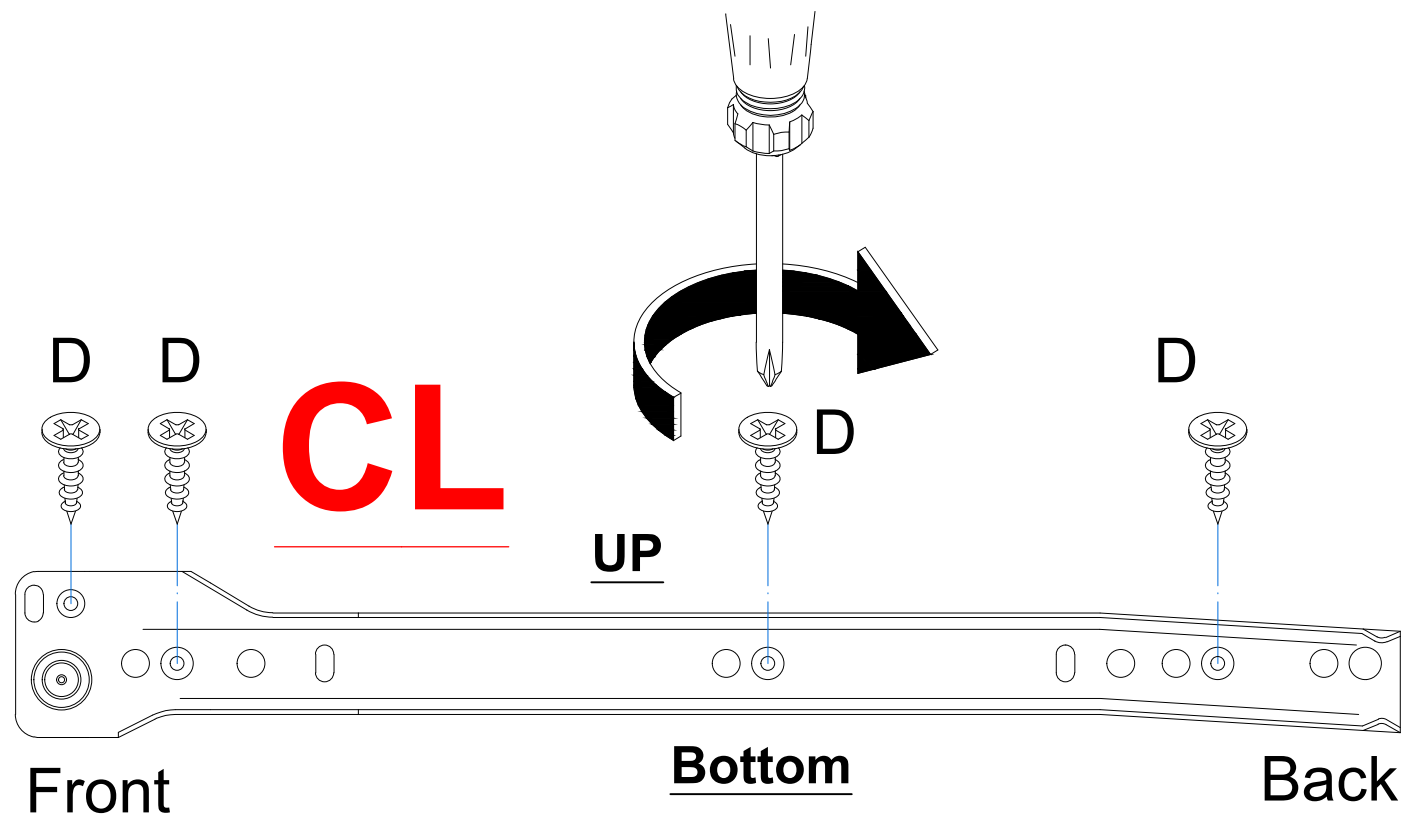
F x4

Use a hammer to close anchor (F)



YOU WILL NEED

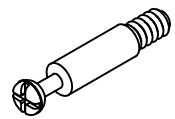
D x6	N.(CL) x1	N.(CR) x1
------	-----------	-----------



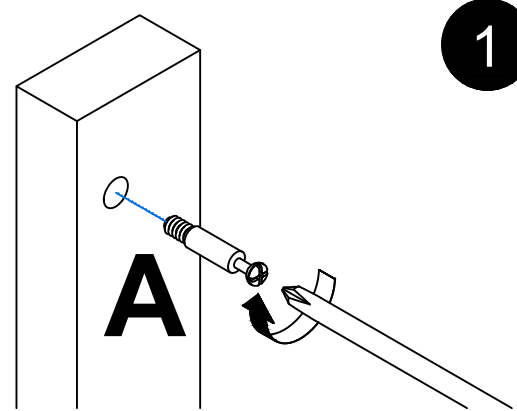
HOW TO



Cam lock

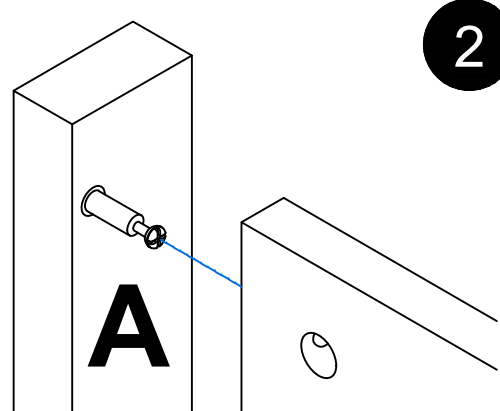


Cam bolt



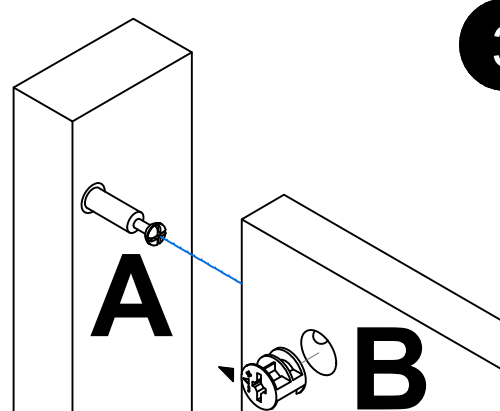
1

1. Screw Cam Bolt into panel



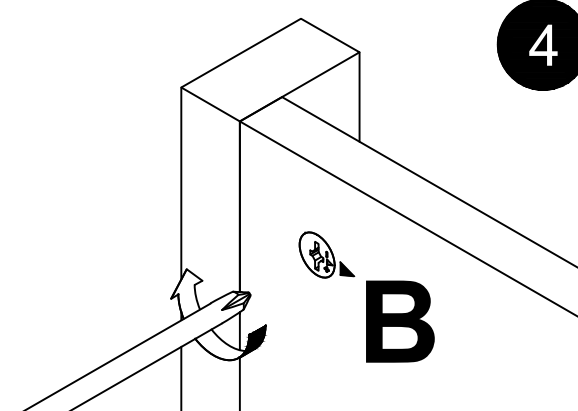
2

2. Insert Cam Bolt into bolt hole of joining panel.



3

3. Insert Cam Lock with arrow facing bolt.



4

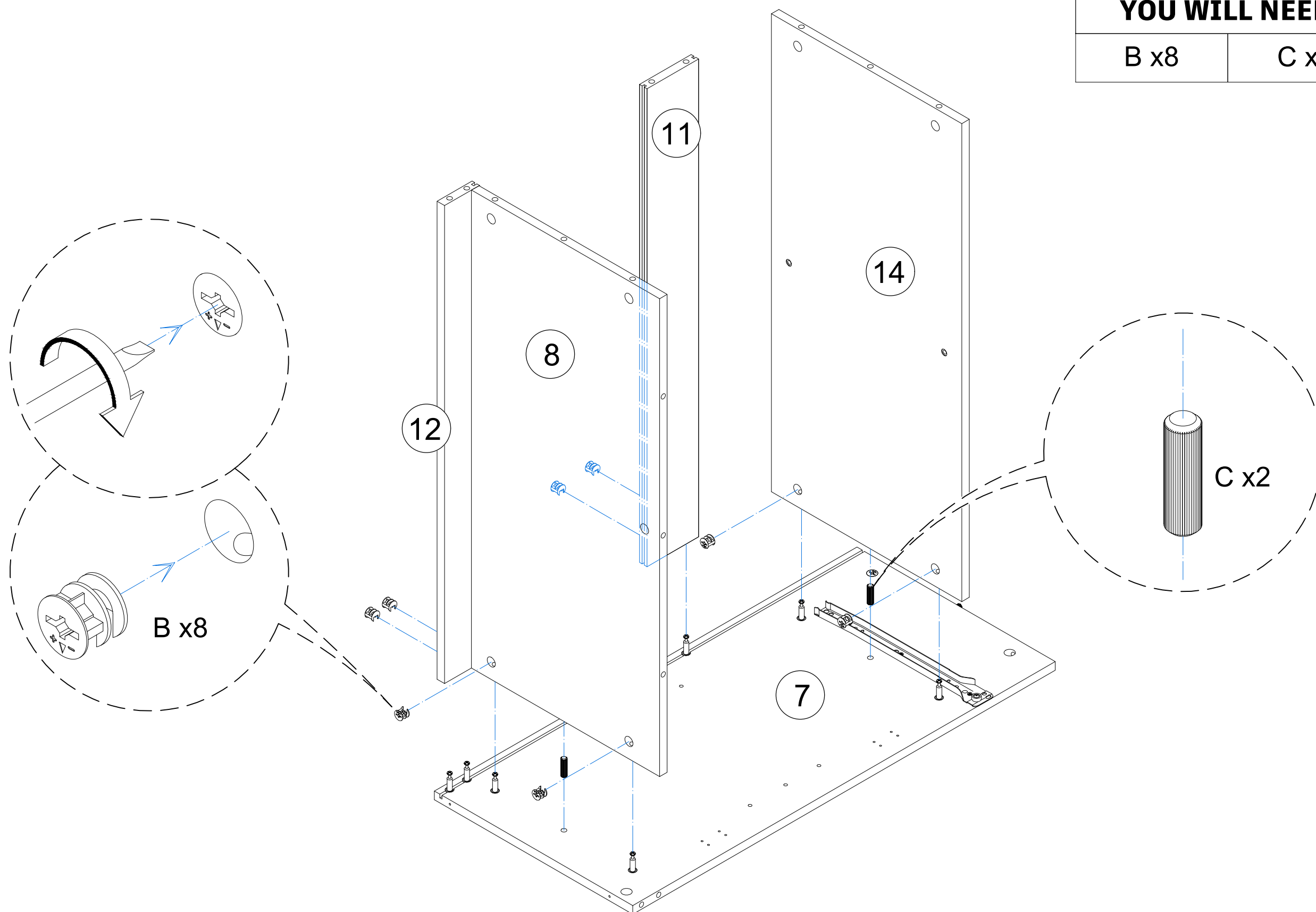
4. Gently turn Cam Lock 180° clockwise to lock into position.

12

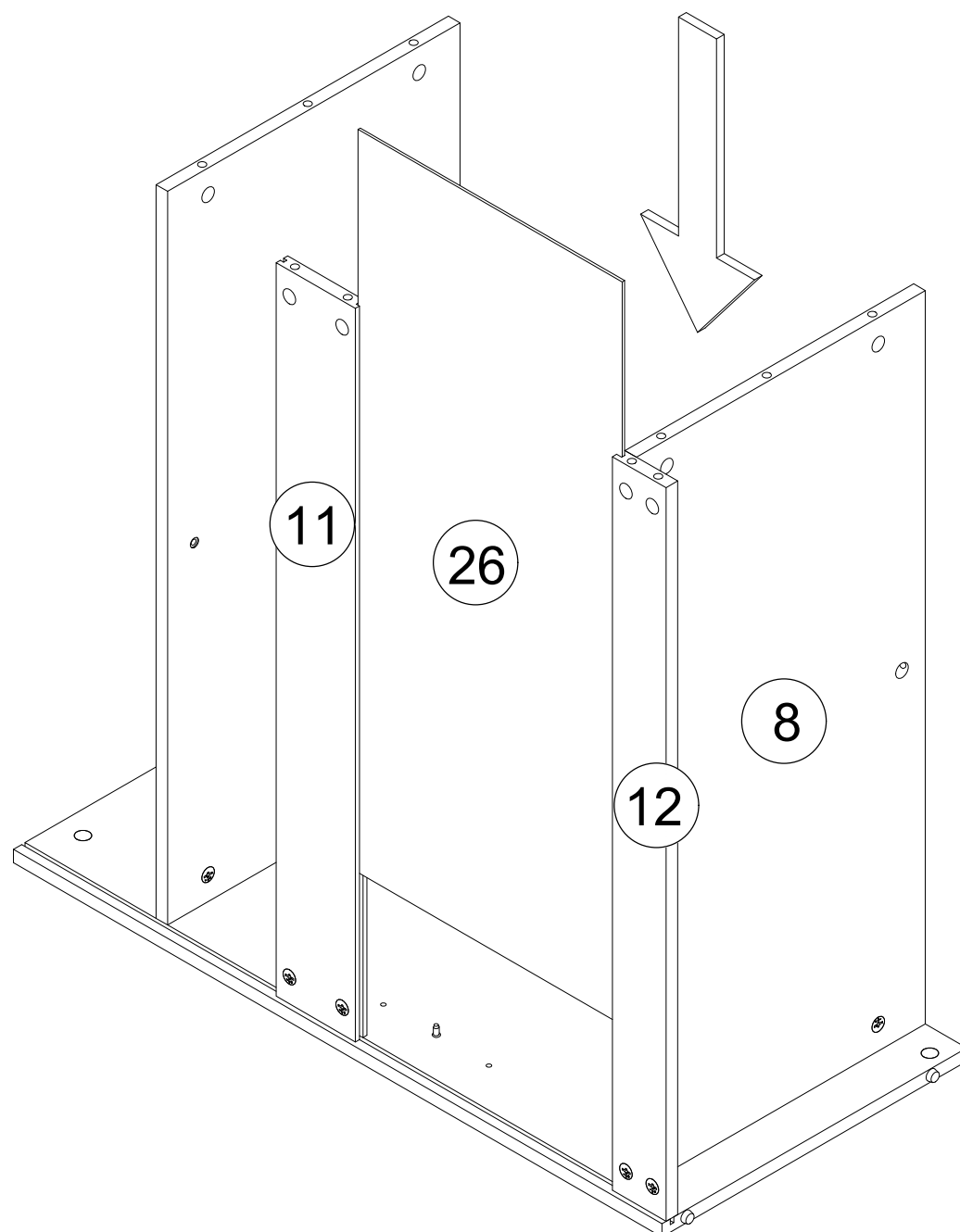
YOU WILL NEED

B x8

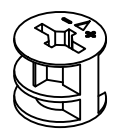
C x2



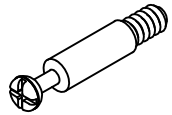
13



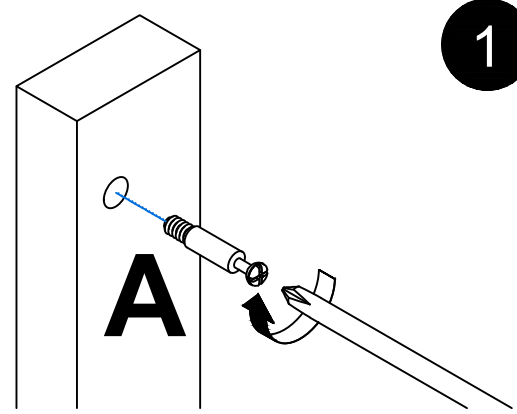
HOW TO



Cam lock

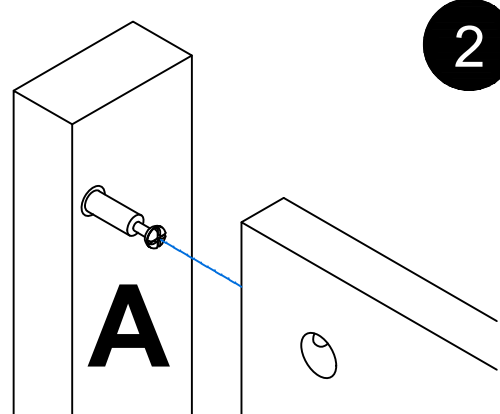


Cam bolt



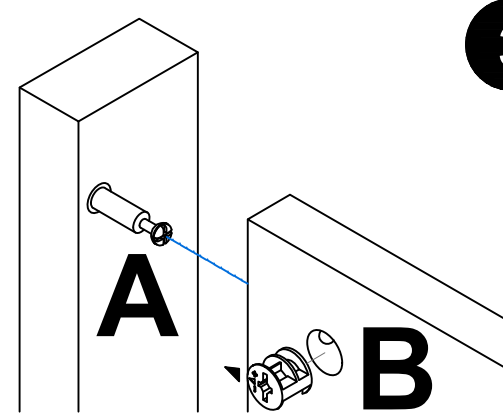
1

1. Screw Cam Bolt into panel



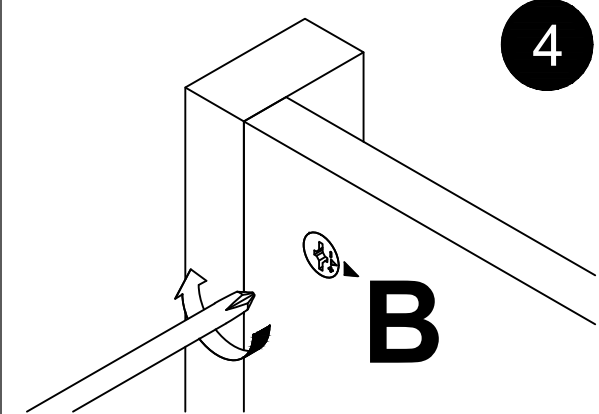
2

2. Insert Cam Bolt into bolt hole of joining panel.



3

3. Insert Cam Lock with arrow facing bolt.



4

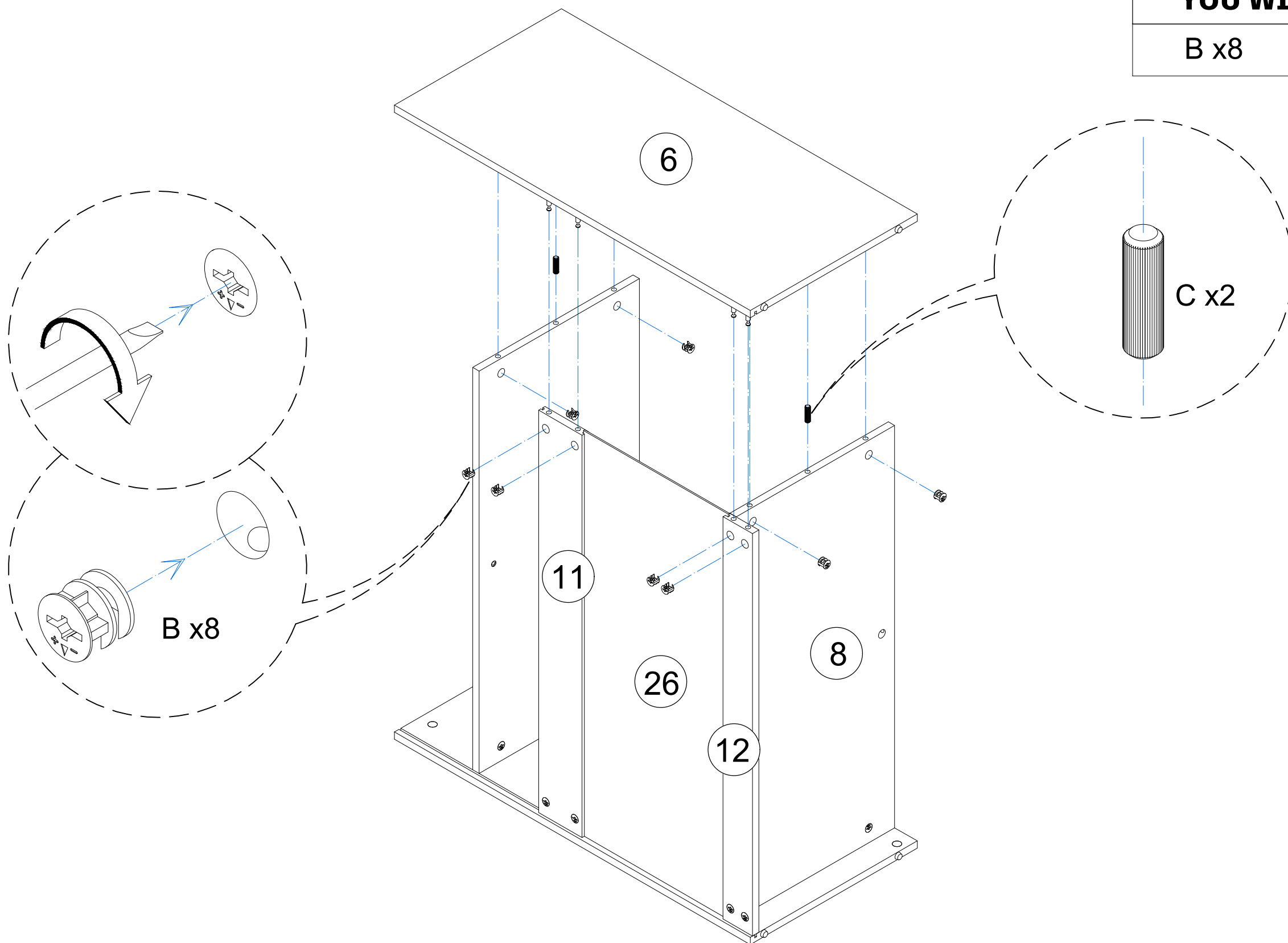
4. Gently turn Cam Lock 180° clockwise to lock into position.

14

YOU WILL NEED

B x8

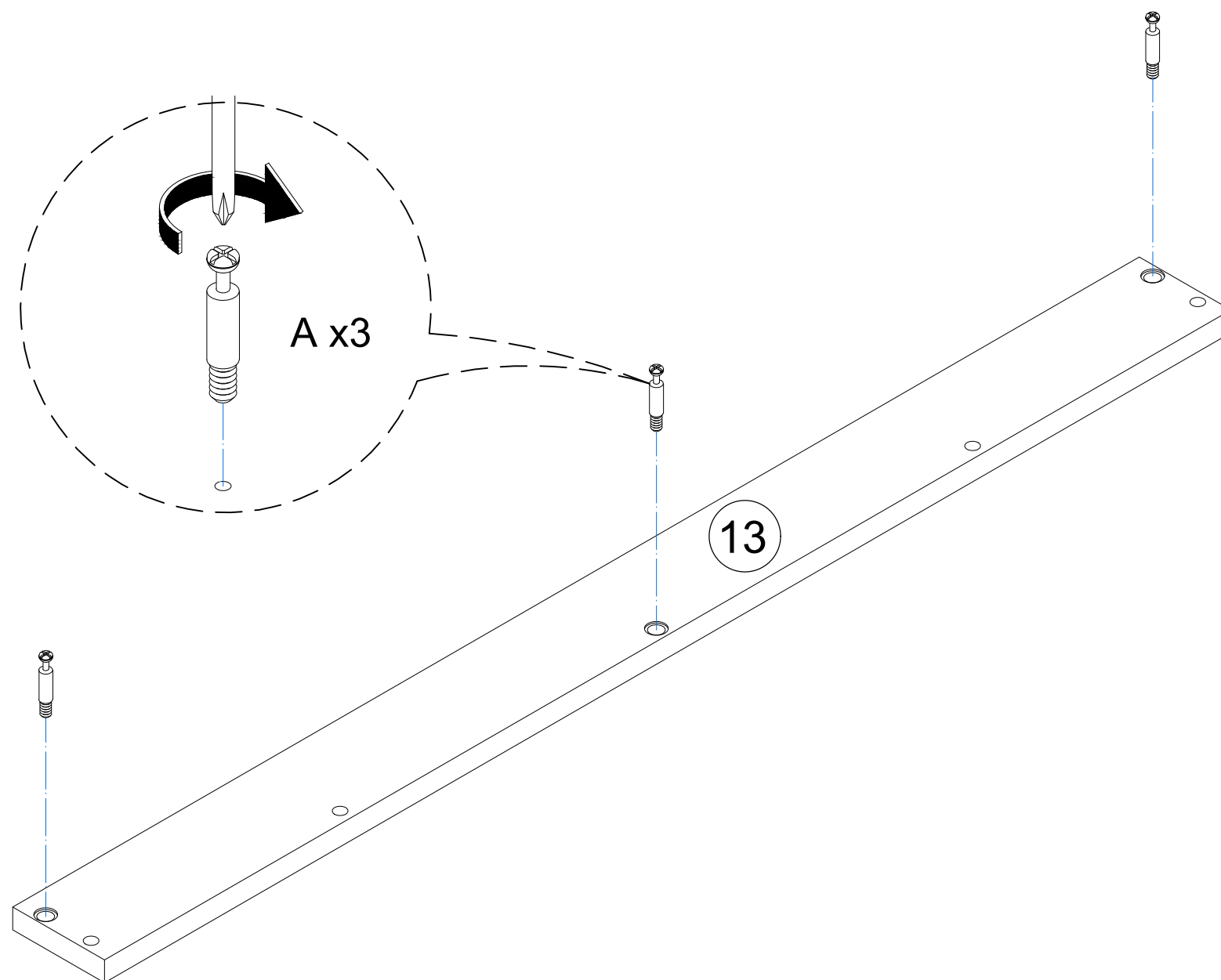
C x2



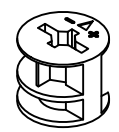
15

YOU WILL NEED

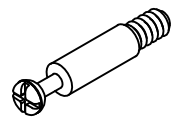
A x3



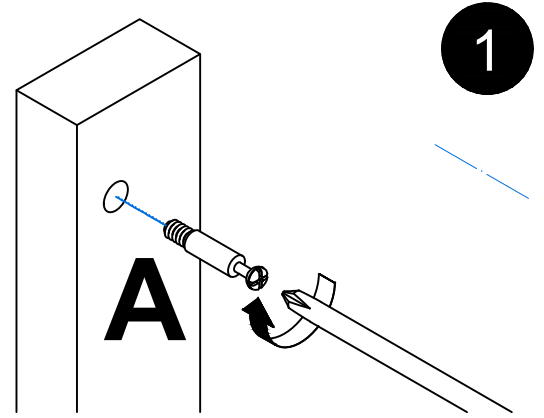
HOW TO



Cam lock

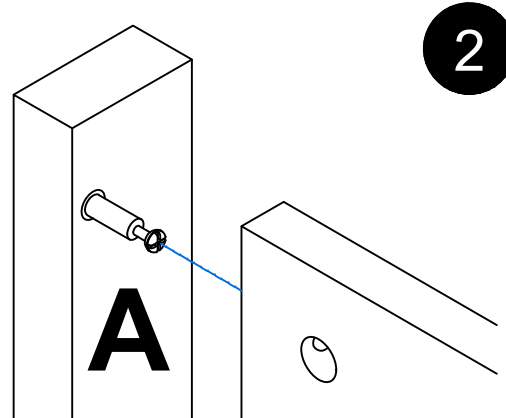


Cam bolt



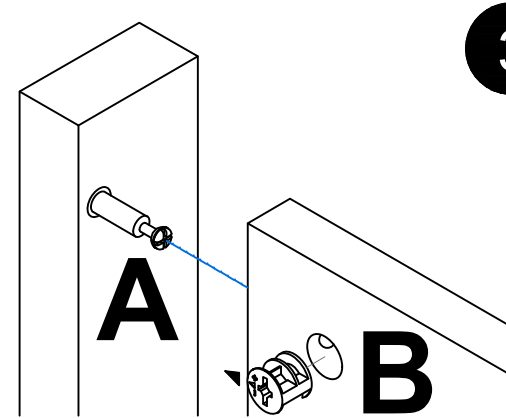
1

1. Screw Cam Bolt into panel



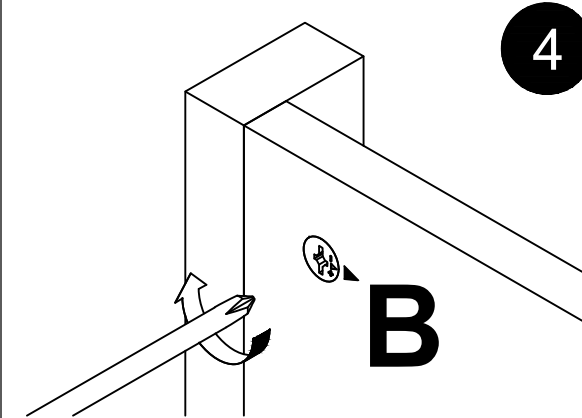
2

2. Insert Cam Bolt into bolt hole of joining panel.



3

3. Insert Cam Lock with arrow facing bolt.



4

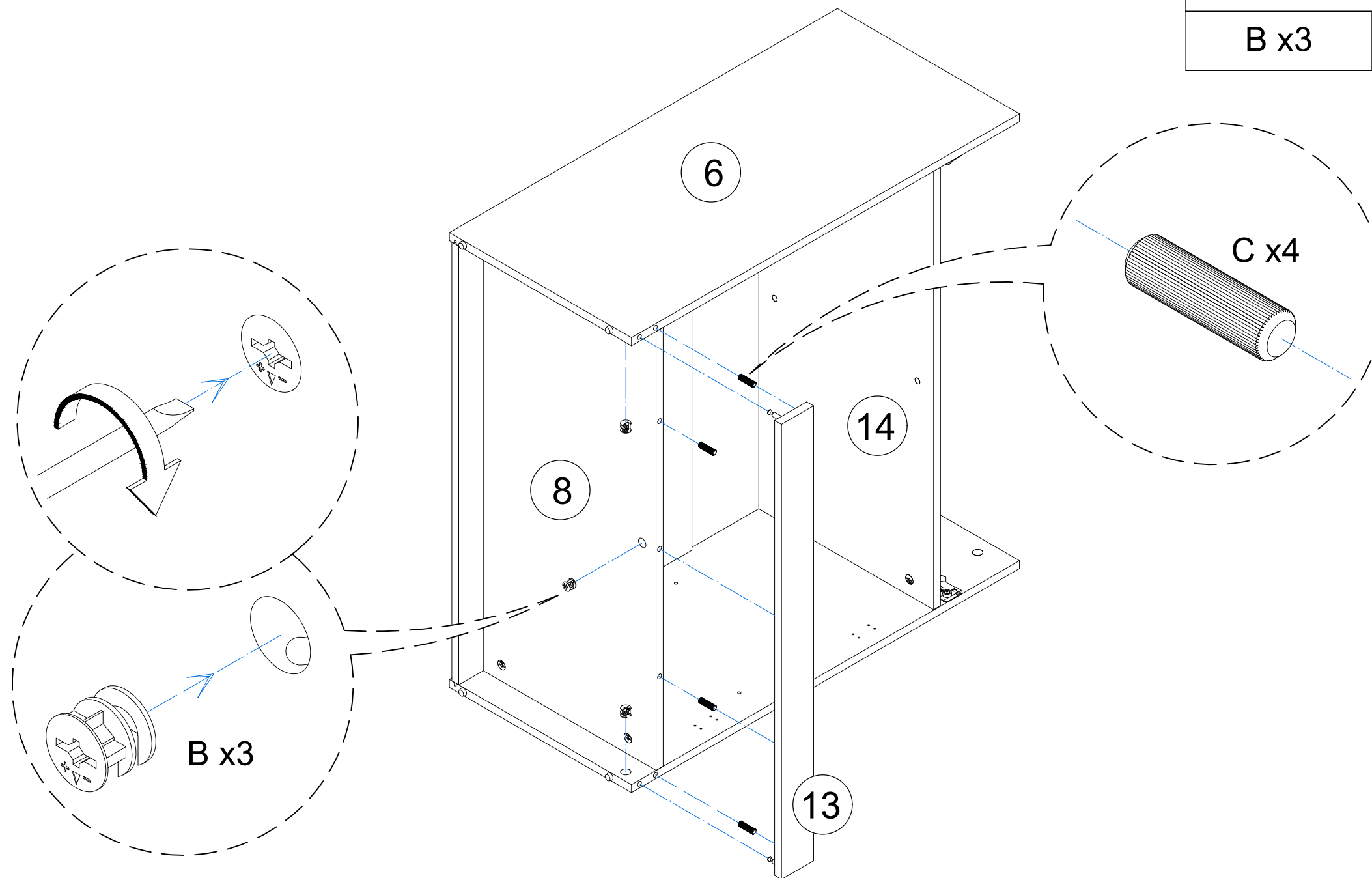
4. Gently turn Cam Lock 180° clockwise to lock into position.

16

YOU WILL NEED

B x3

C x4

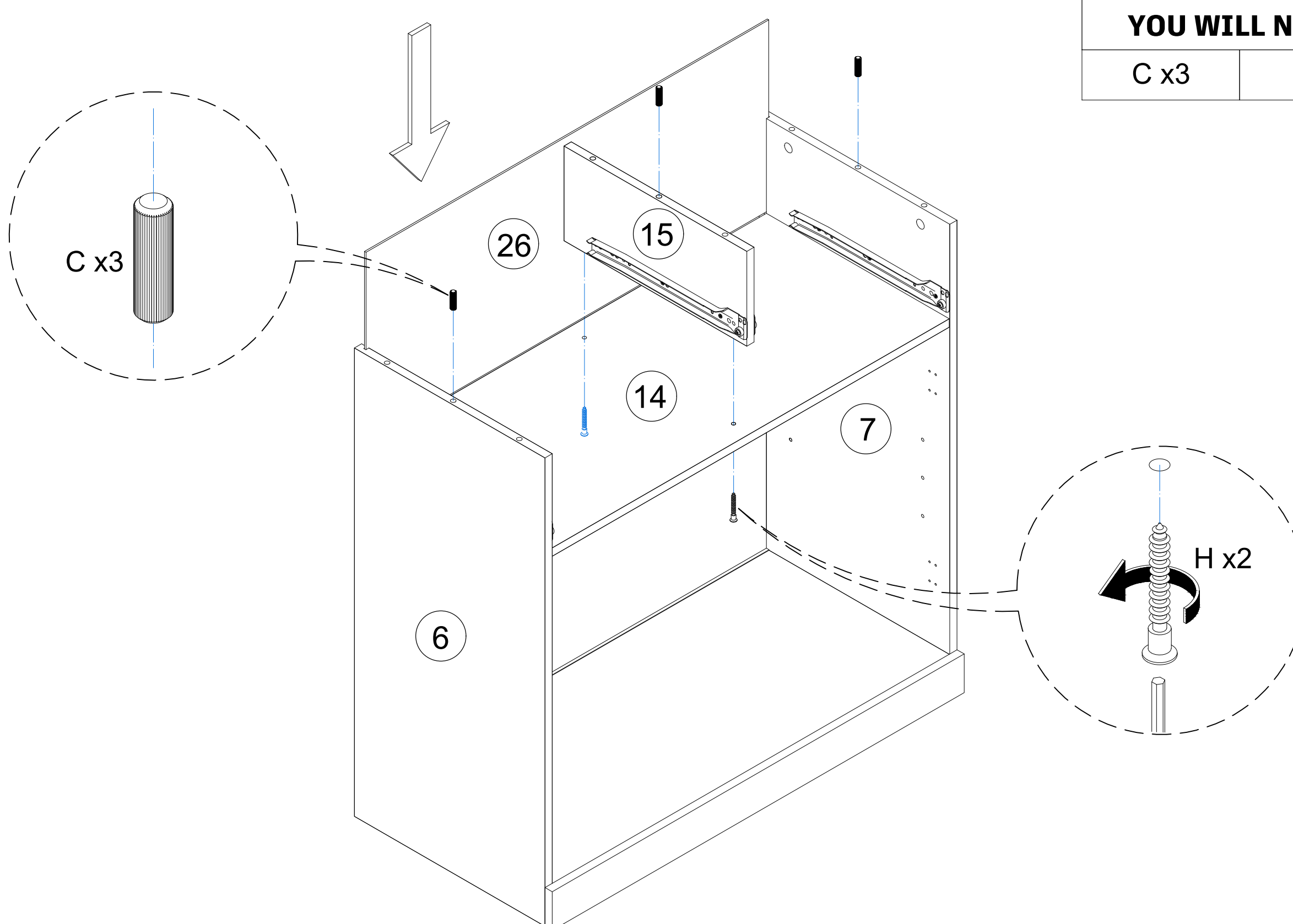


17

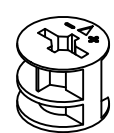
YOU WILL NEED

C x3

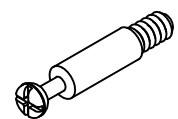
H x2



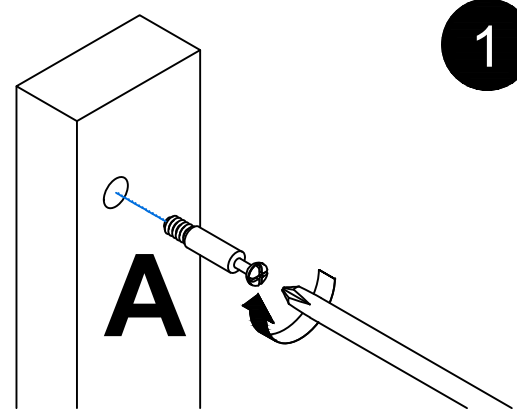
HOW TO



Cam lock

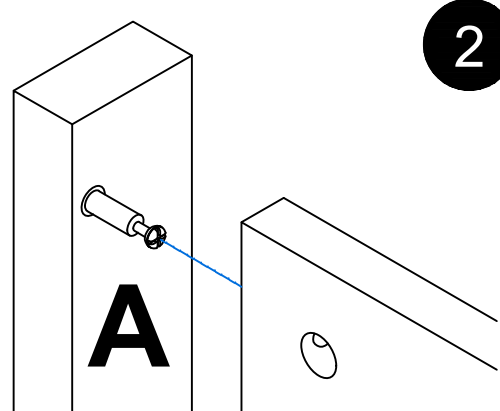


Cam bolt



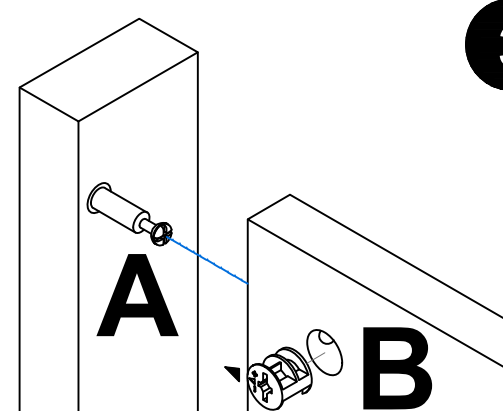
1

1. Screw Cam Bolt into panel



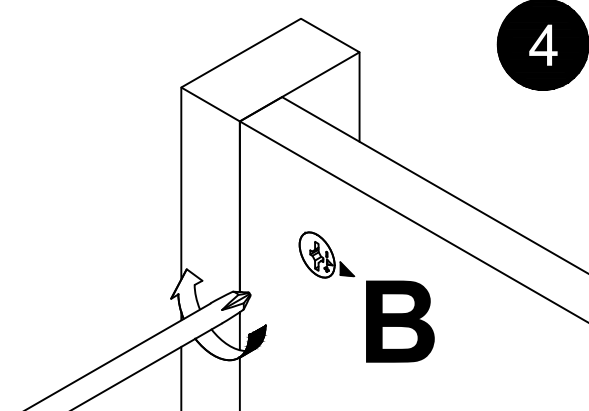
2

2. Insert Cam Bolt into bolt hole of joining panel.



3

3. Insert Cam Lock with arrow facing bolt.



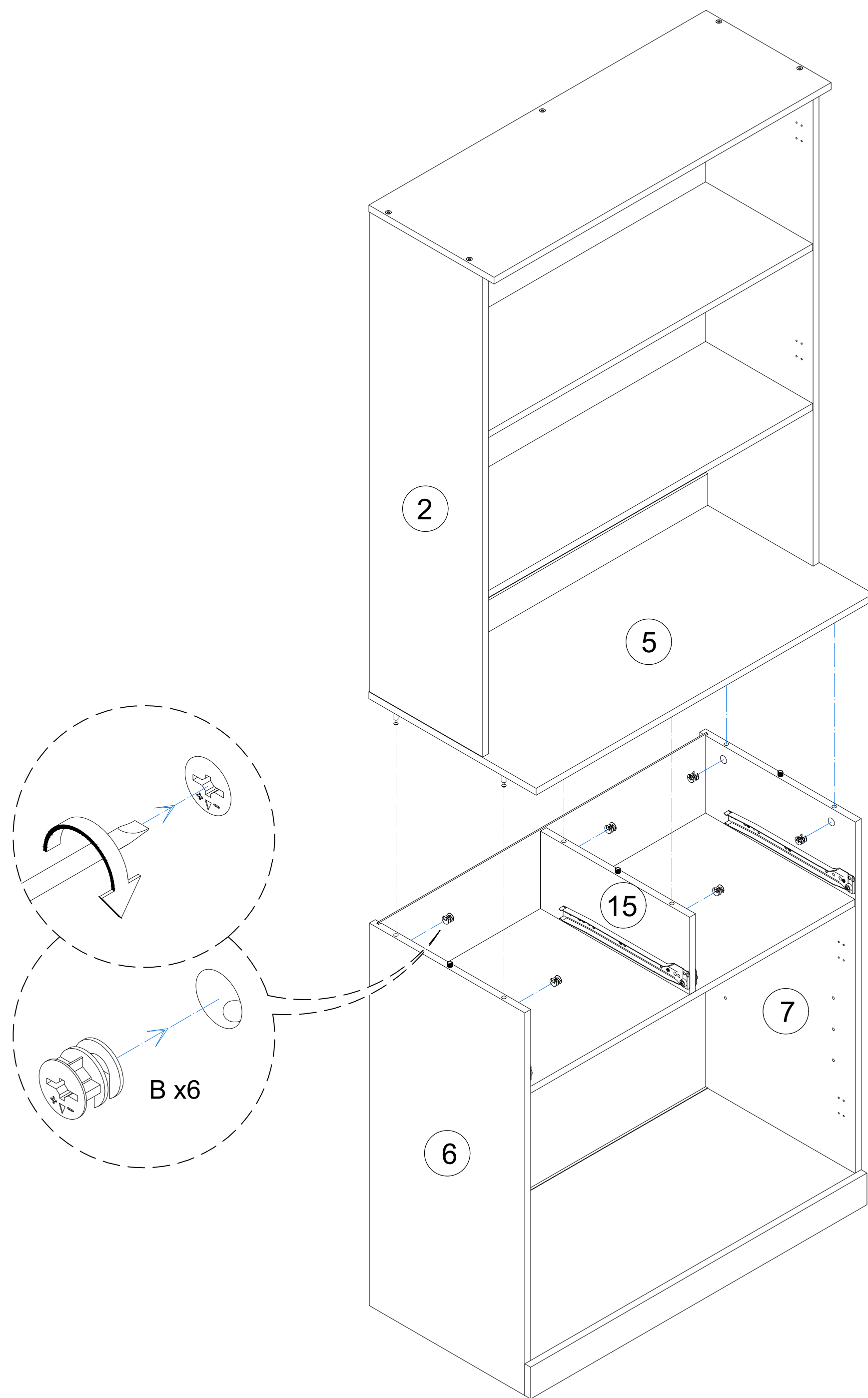
4

4. Gently turn Cam Lock 180° clockwise to lock into position.

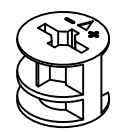
18

YOU WILL NEED

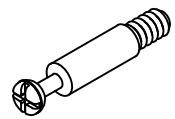
B x6



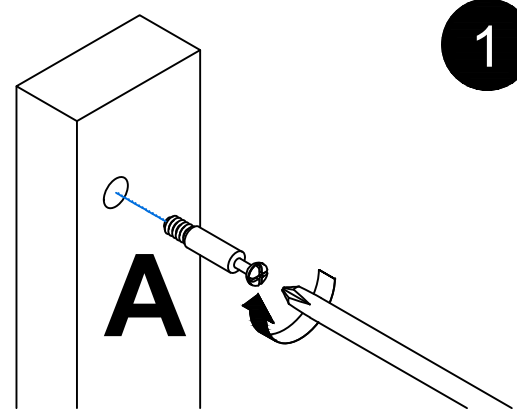
HOW TO



Cam lock

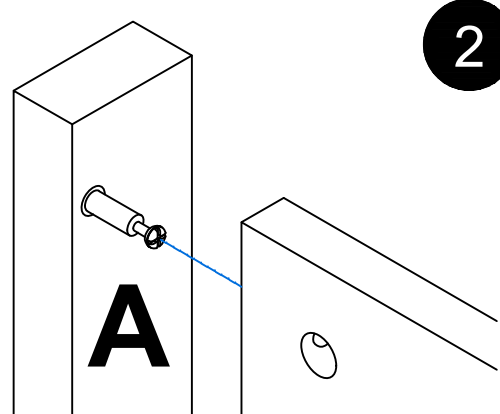


Cam bolt



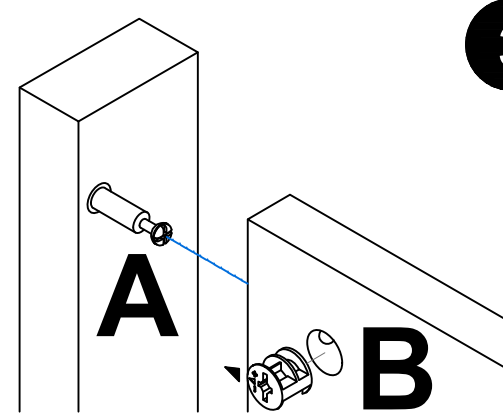
1

1. Screw Cam Bolt into panel



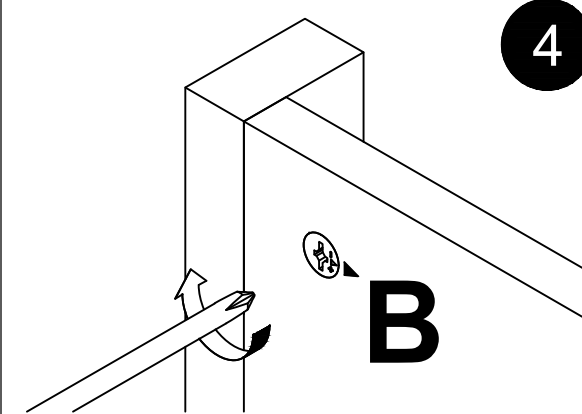
2

2. Insert Cam Bolt into bolt hole of joining panel.



3

3. Insert Cam Lock with arrow facing bolt.



4

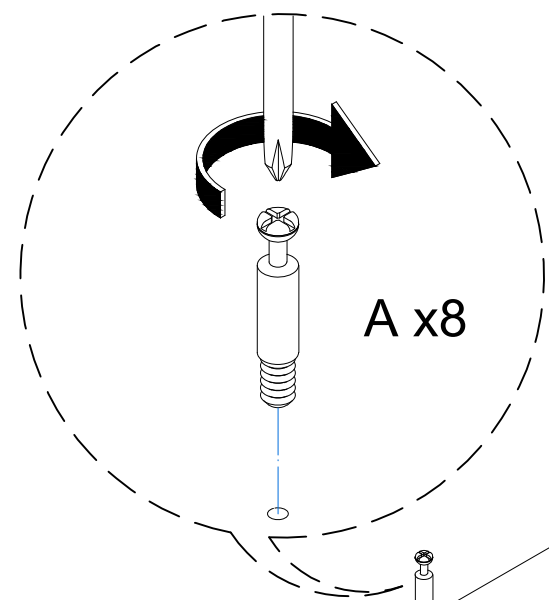
4. Gently turn Cam Lock 180° clockwise to lock into position.

19

YOU WILL NEED

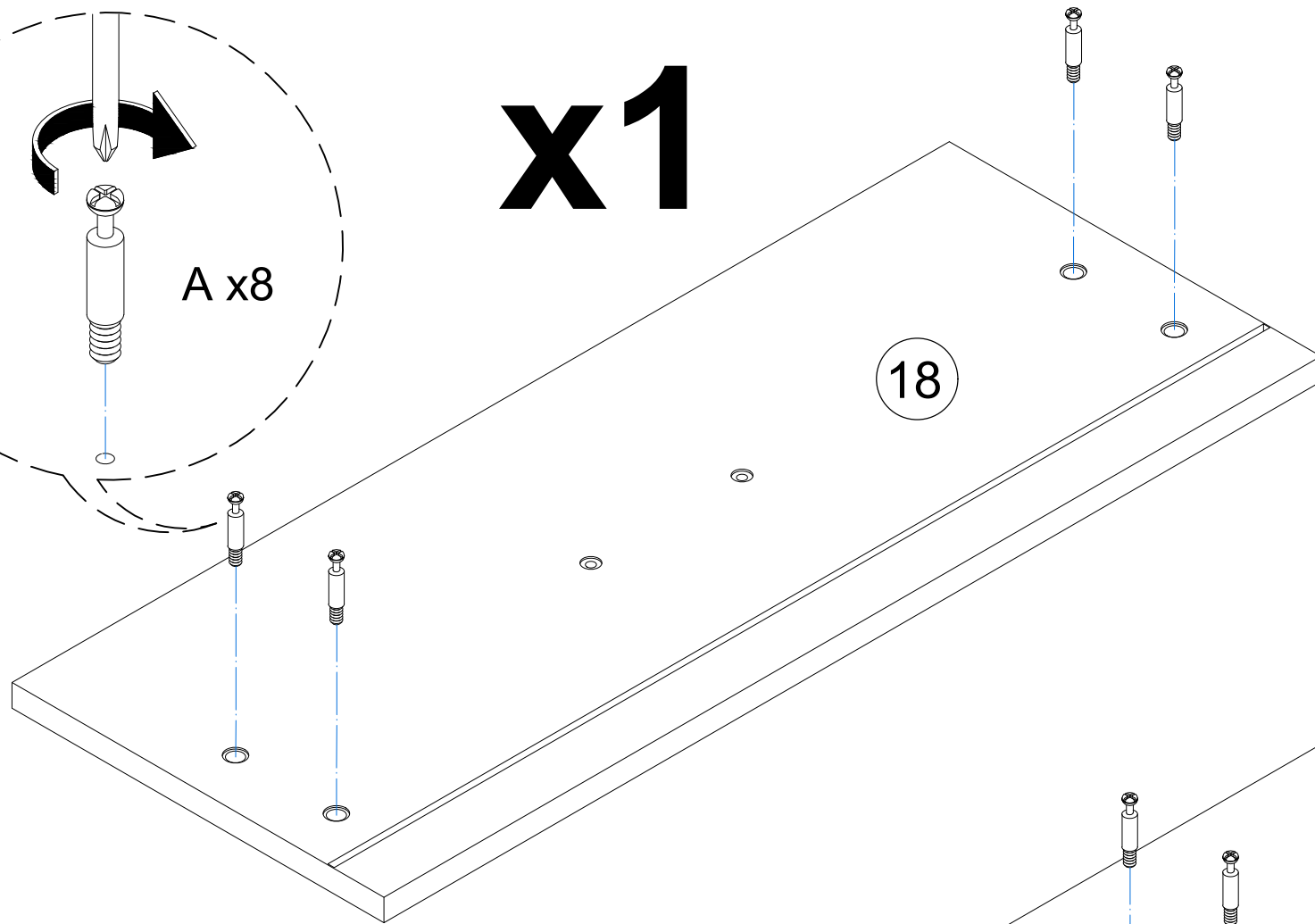
A x8

E x8



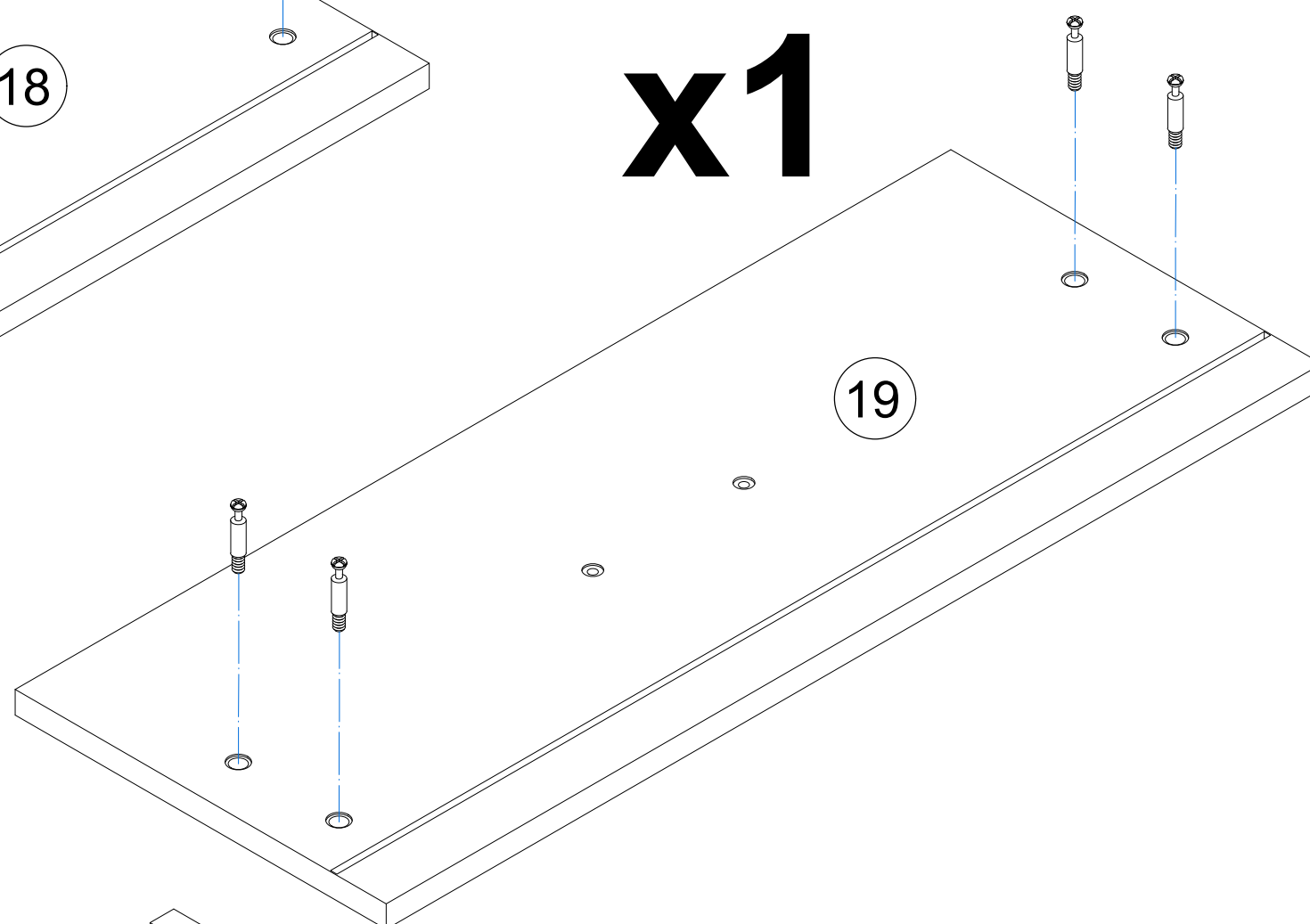
A x8

x1



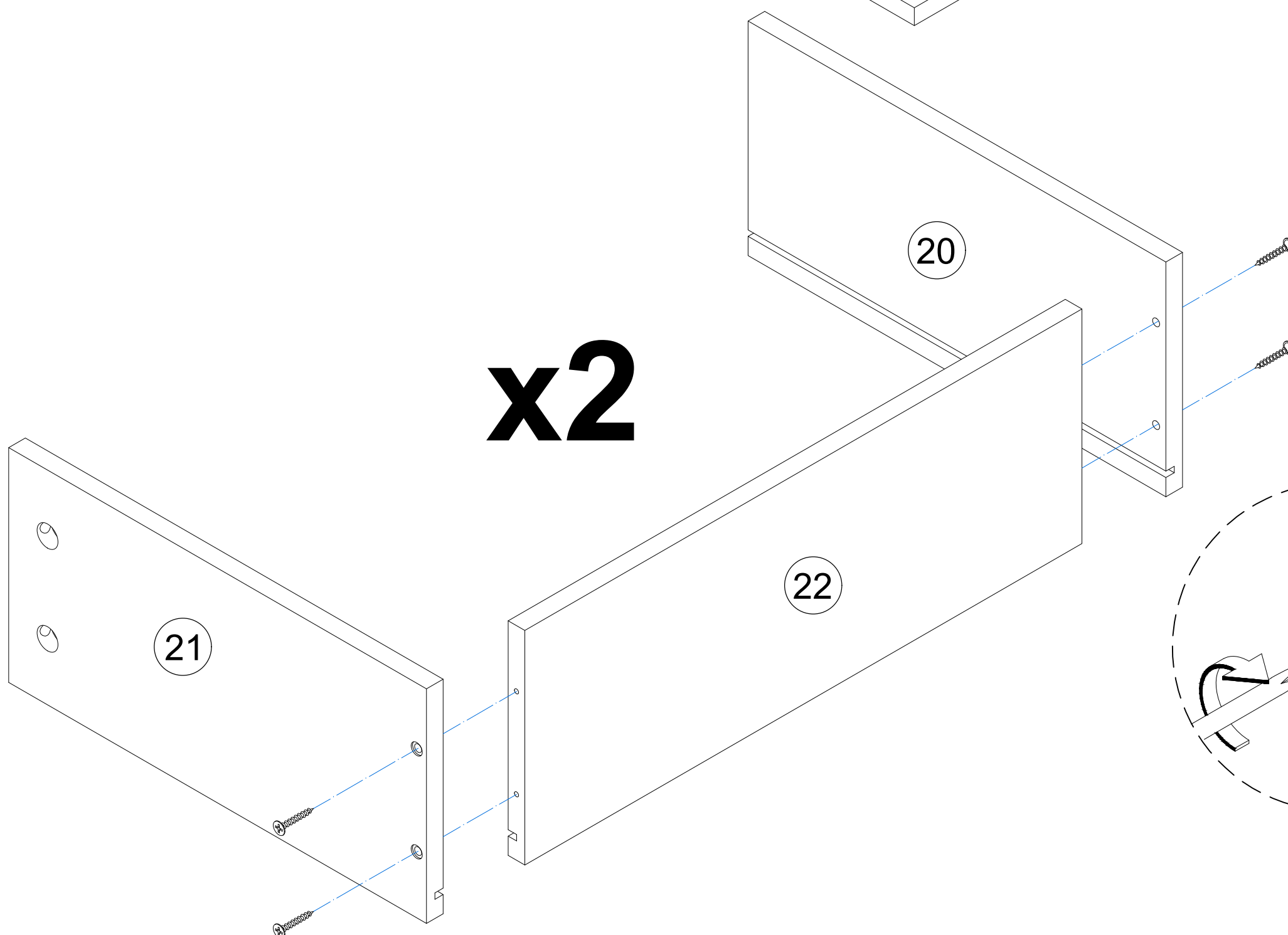
18

x1



19

x2



20

22

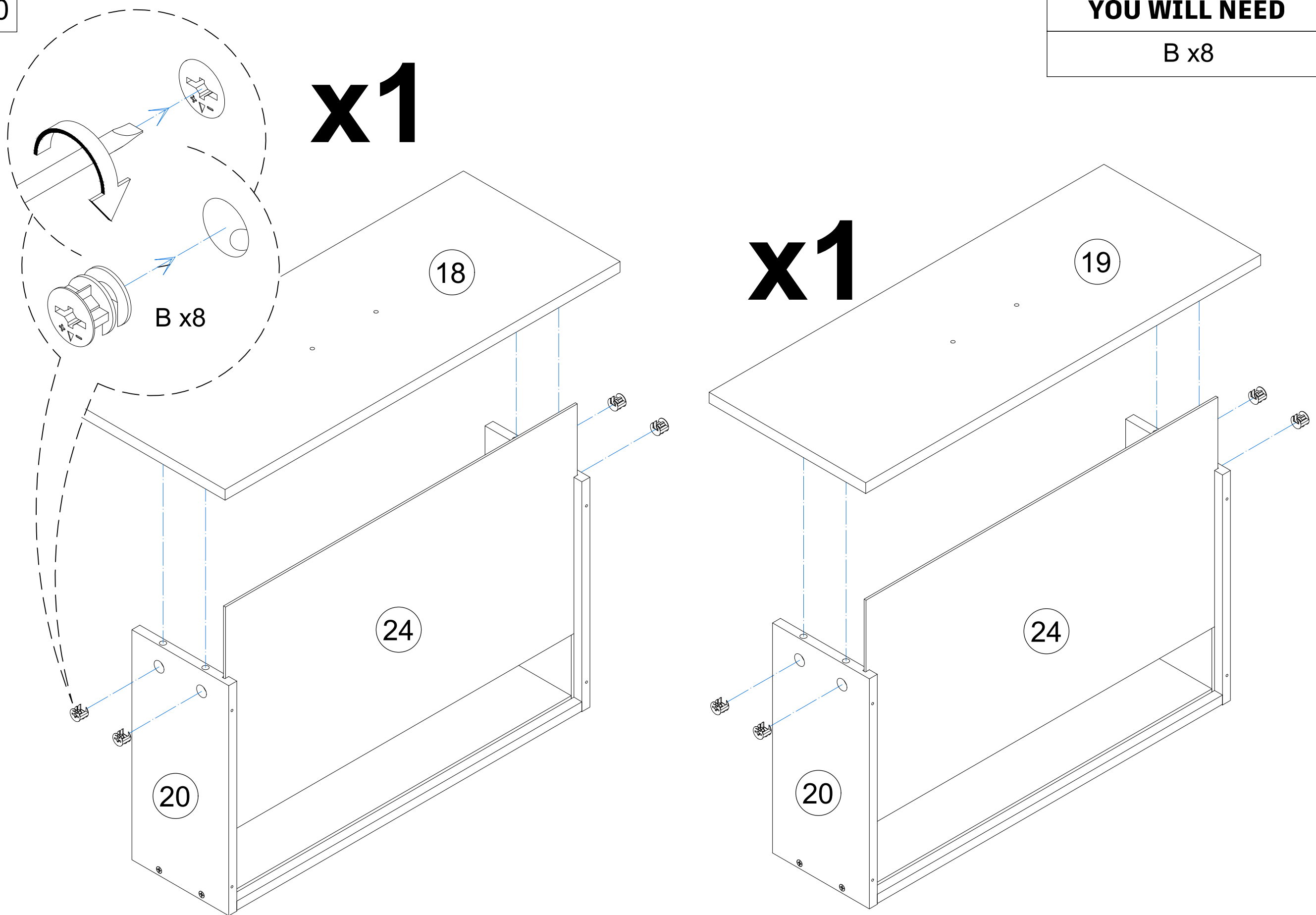
21

E x8

20

YOU WILL NEED

B x8



21

YOU WILL NEED

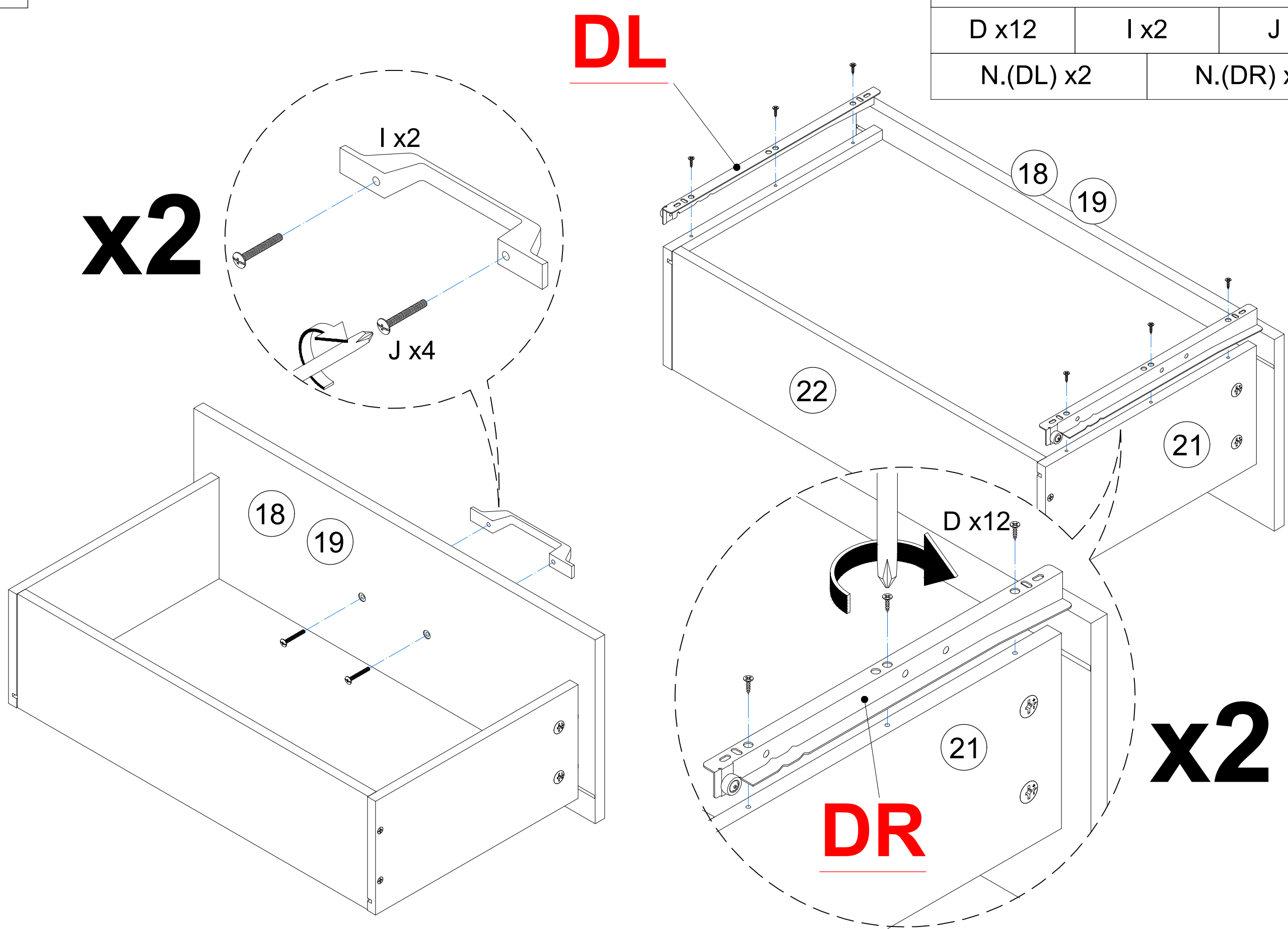
D x12

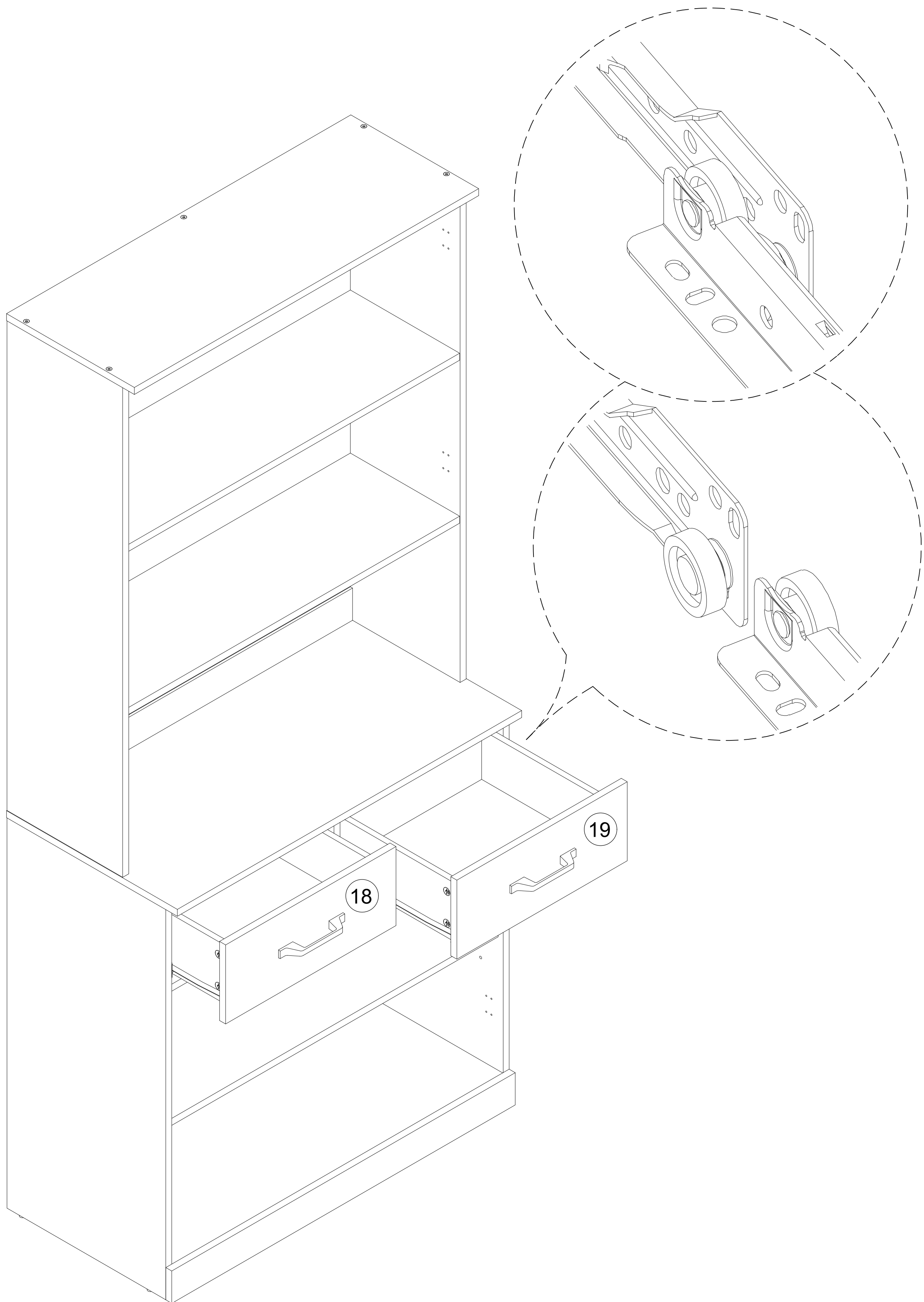
I x2

J x4

N.(DL) x2

N.(DR) x2

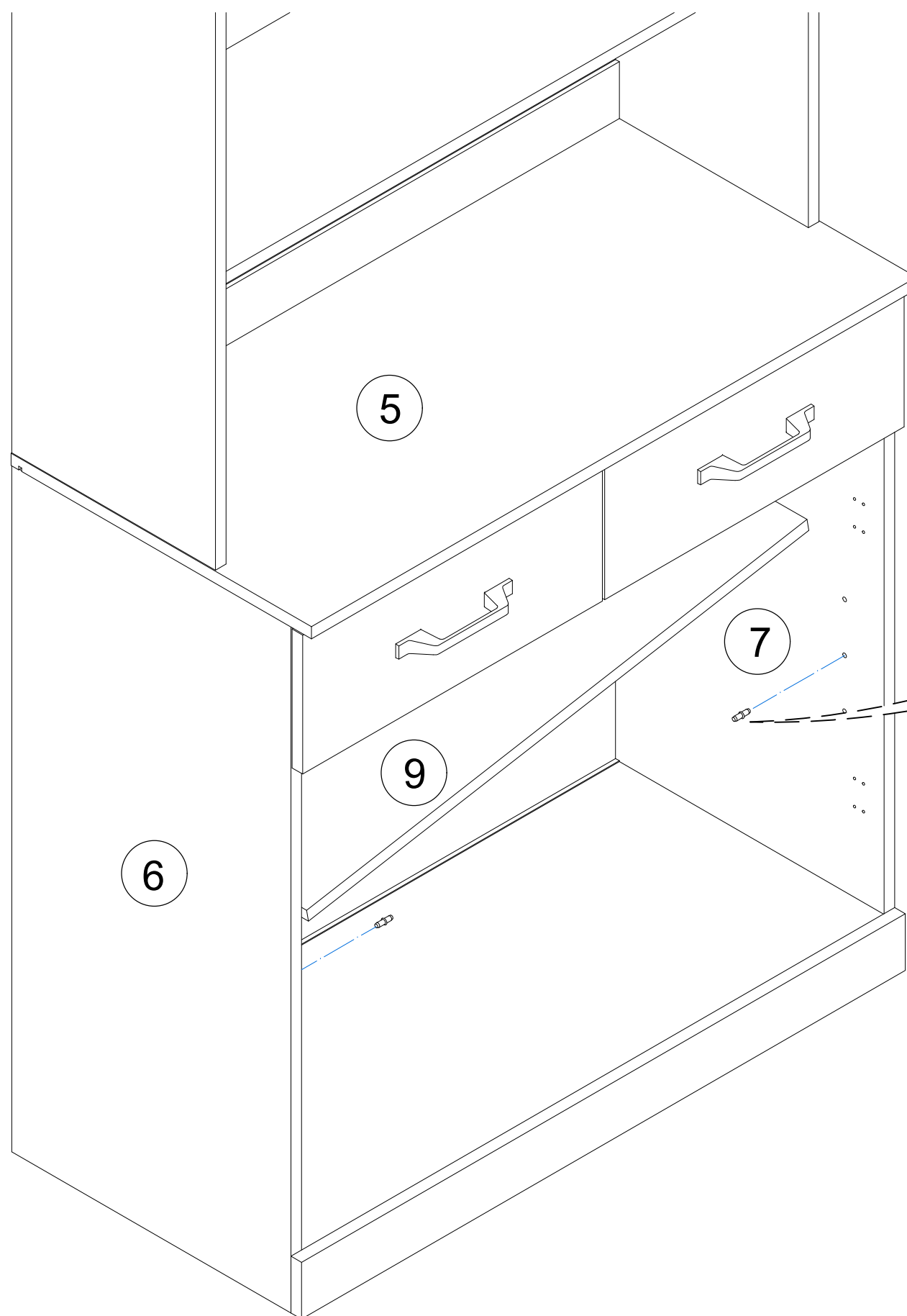




23

YOU WILL NEED

O x4

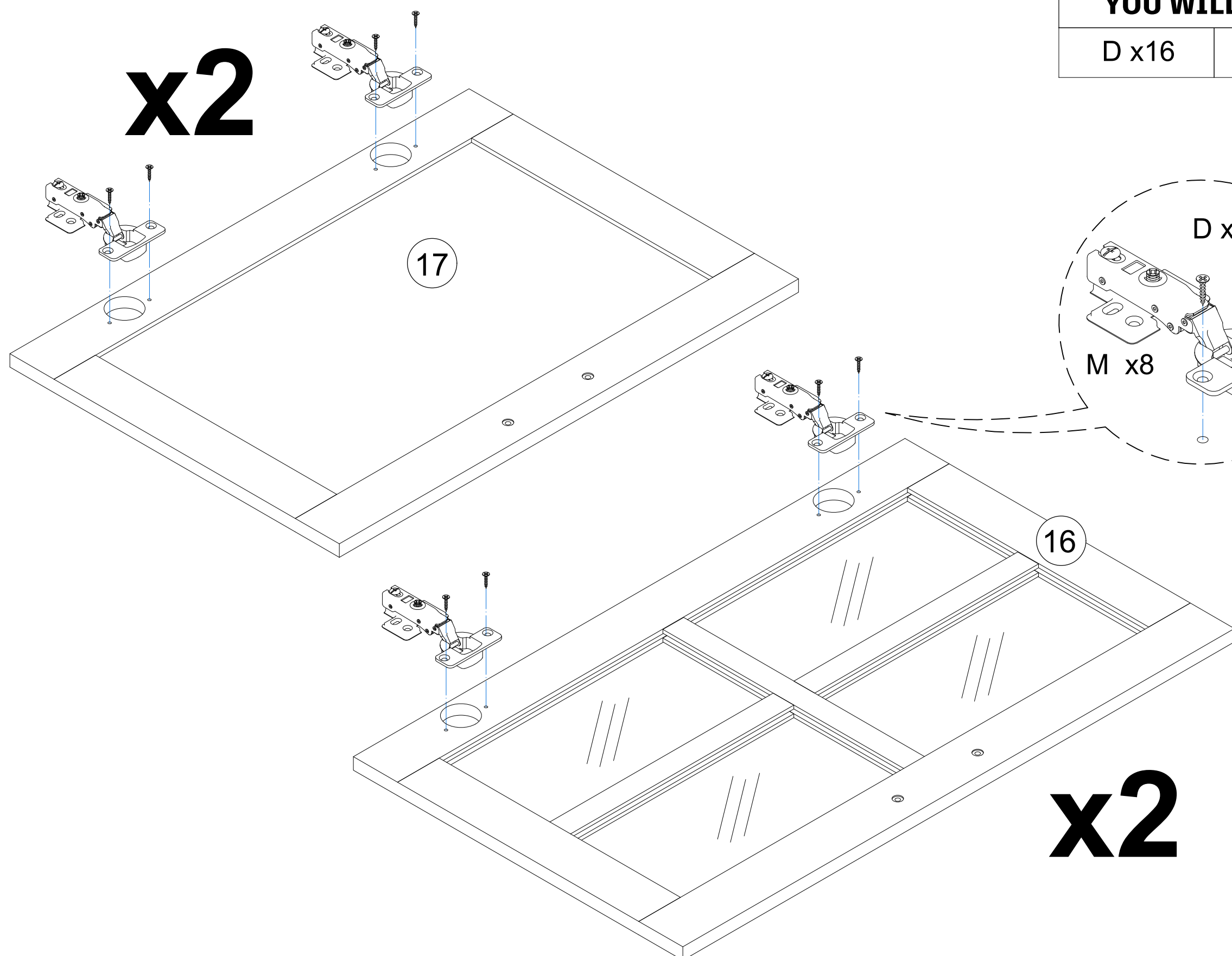


24

YOU WILL NEED

D x16

M x8

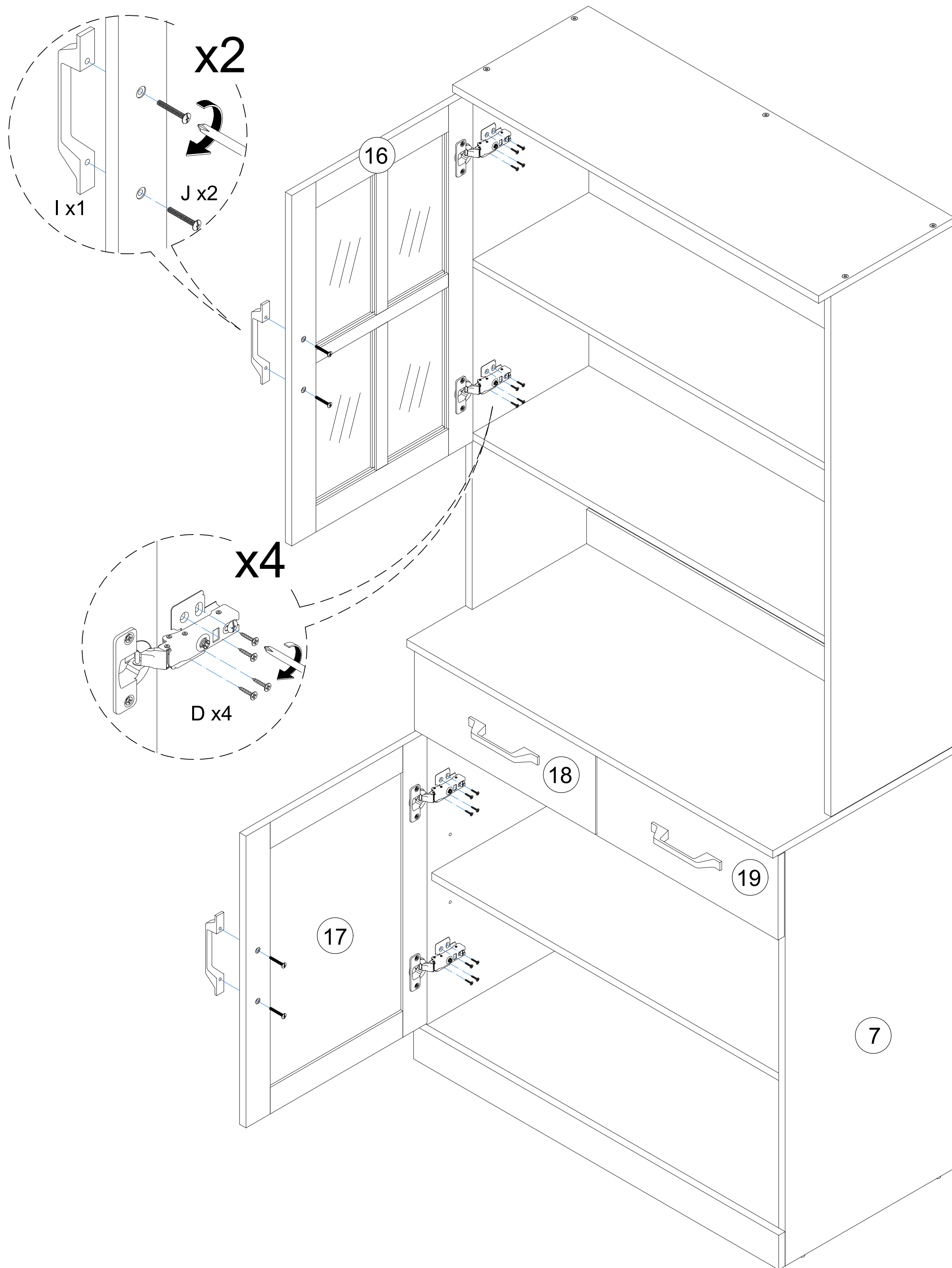


YOU WILL NEED

D x16

J x4

I x2

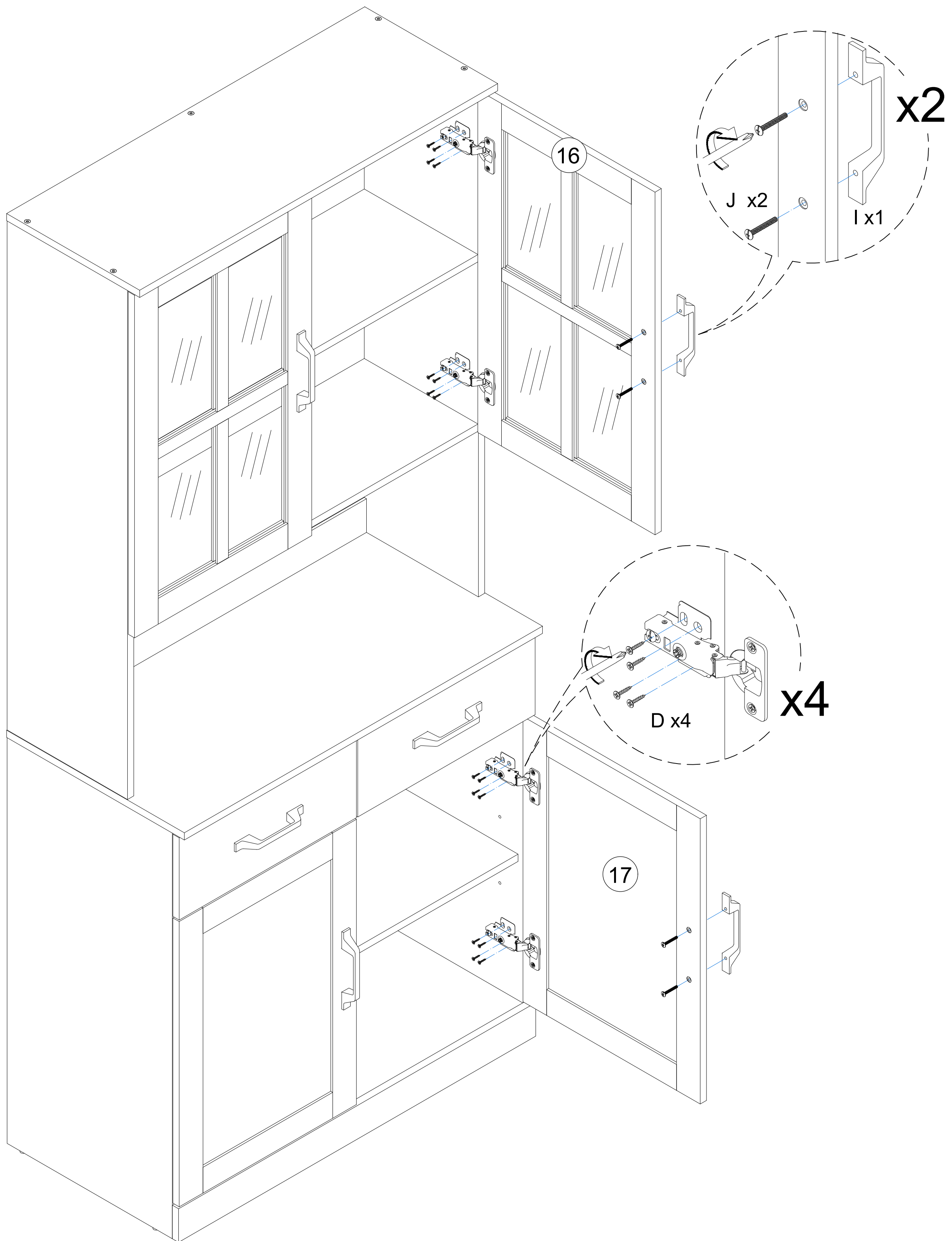


YOU WILL NEED

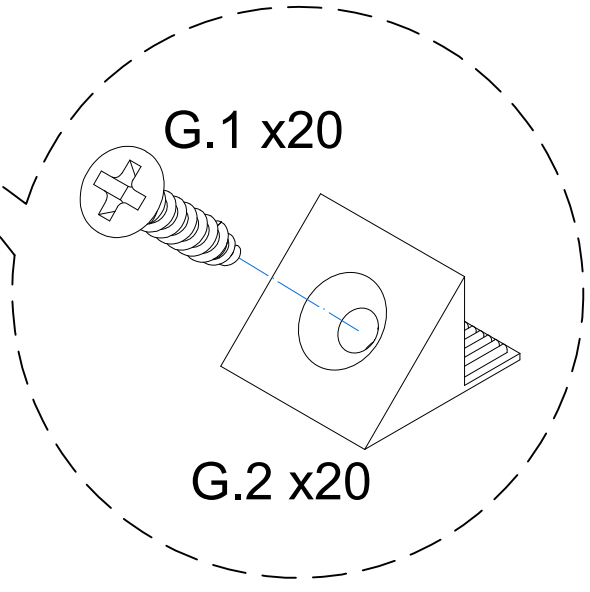
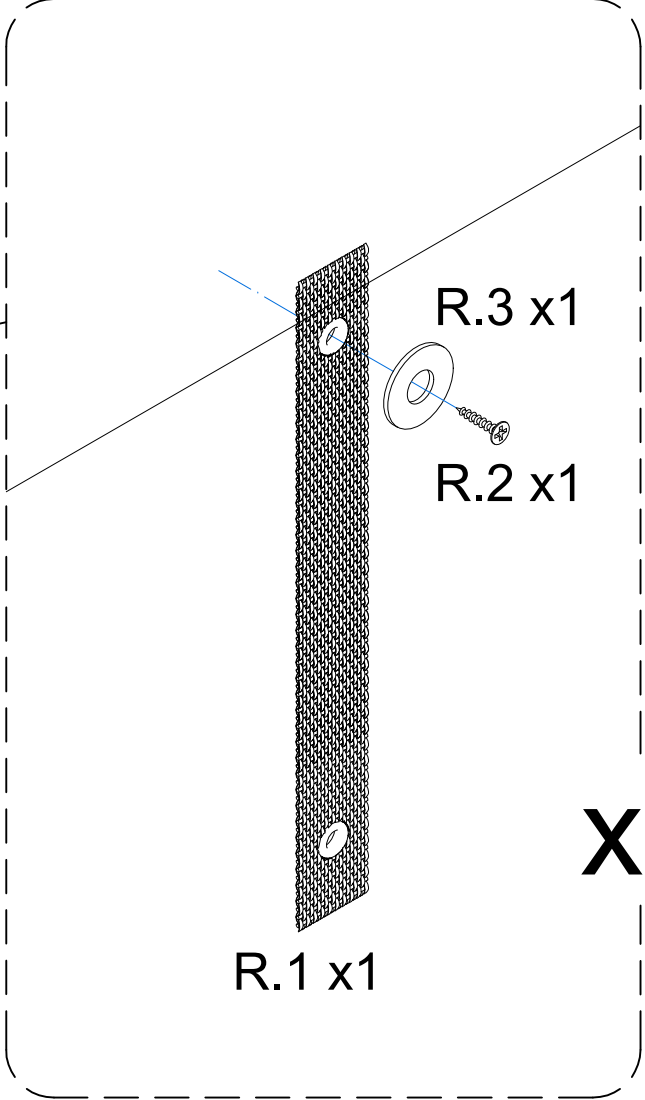
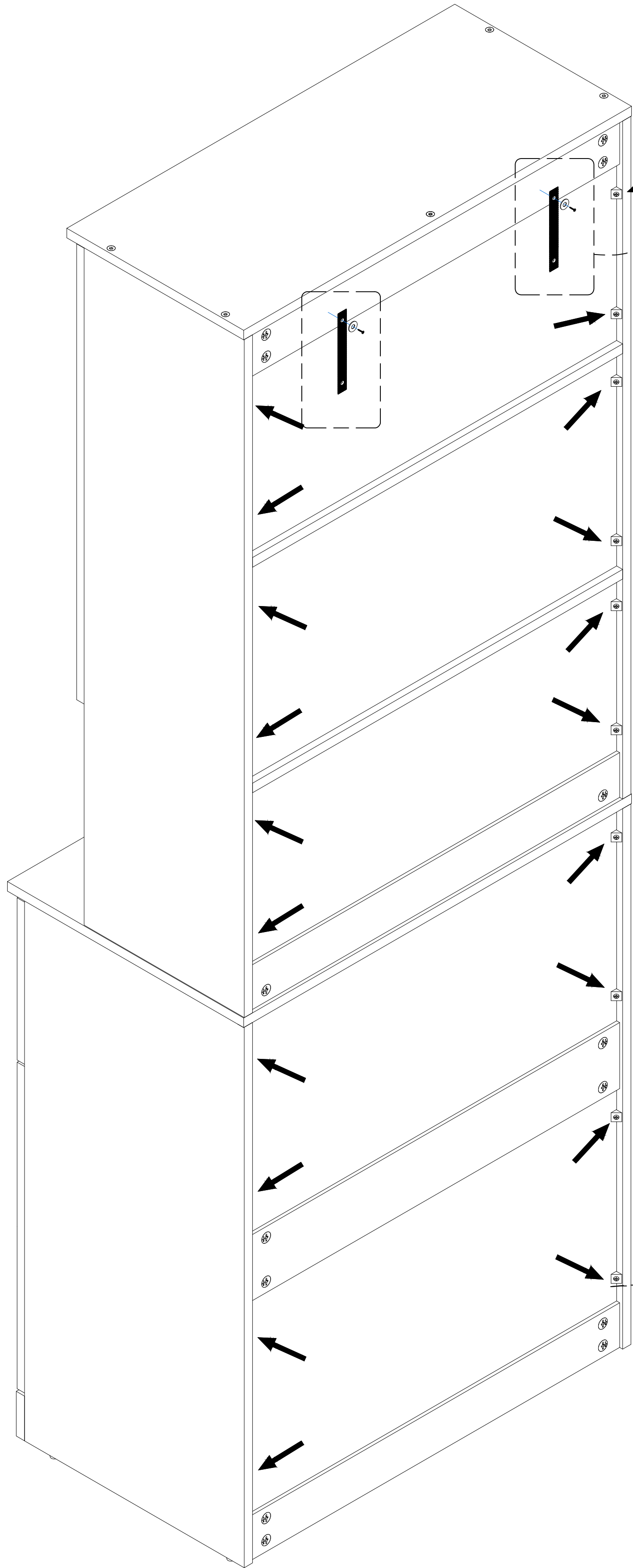
D x16

J x4

I x2

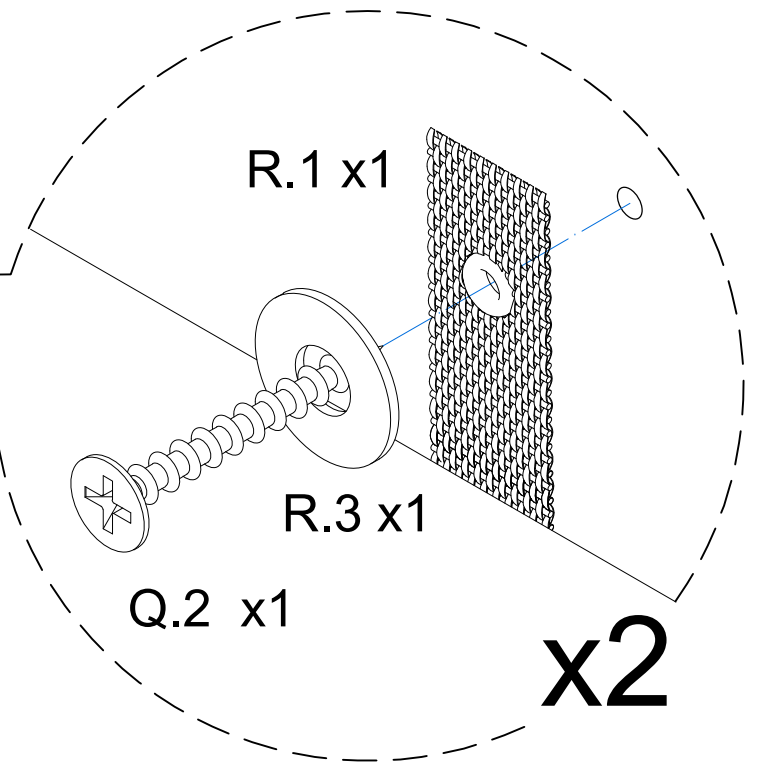


YOU WILL NEED		
G.1 x20	G.2 x20	R.1 x2
R.2 x2		R.3 x2



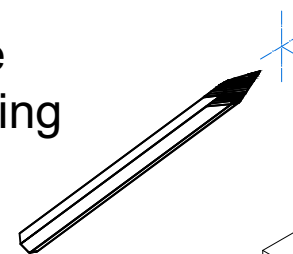
YOU WILL NEED

Q.1 x2	Q.2 x2	R.3 x2
--------	--------	--------



WALL

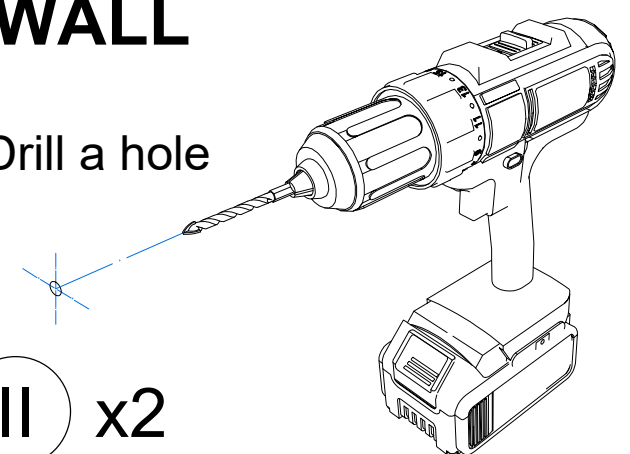
Mark the hole drilling location



I x2

WALL

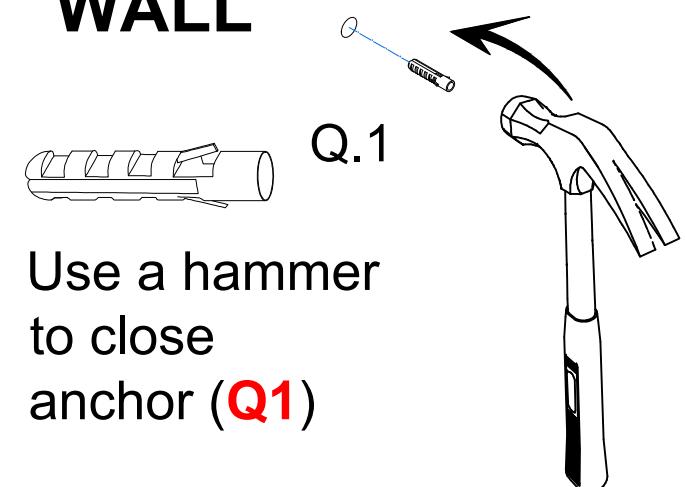
Drill a hole



II x2

WALL

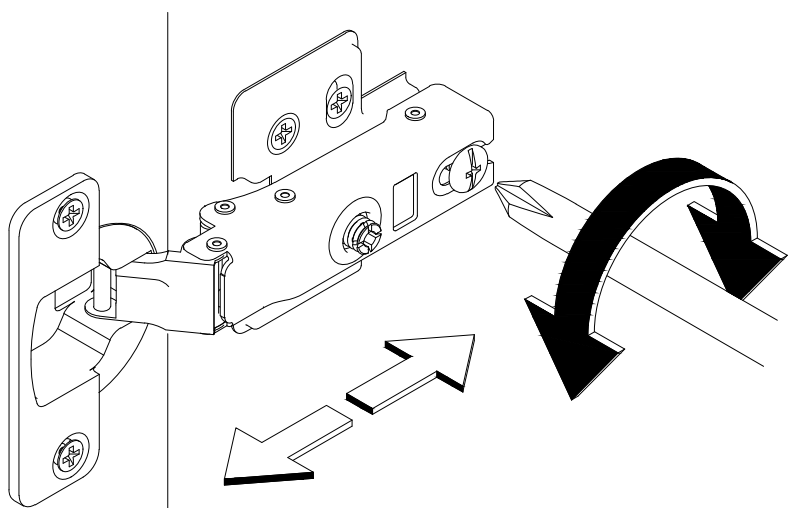
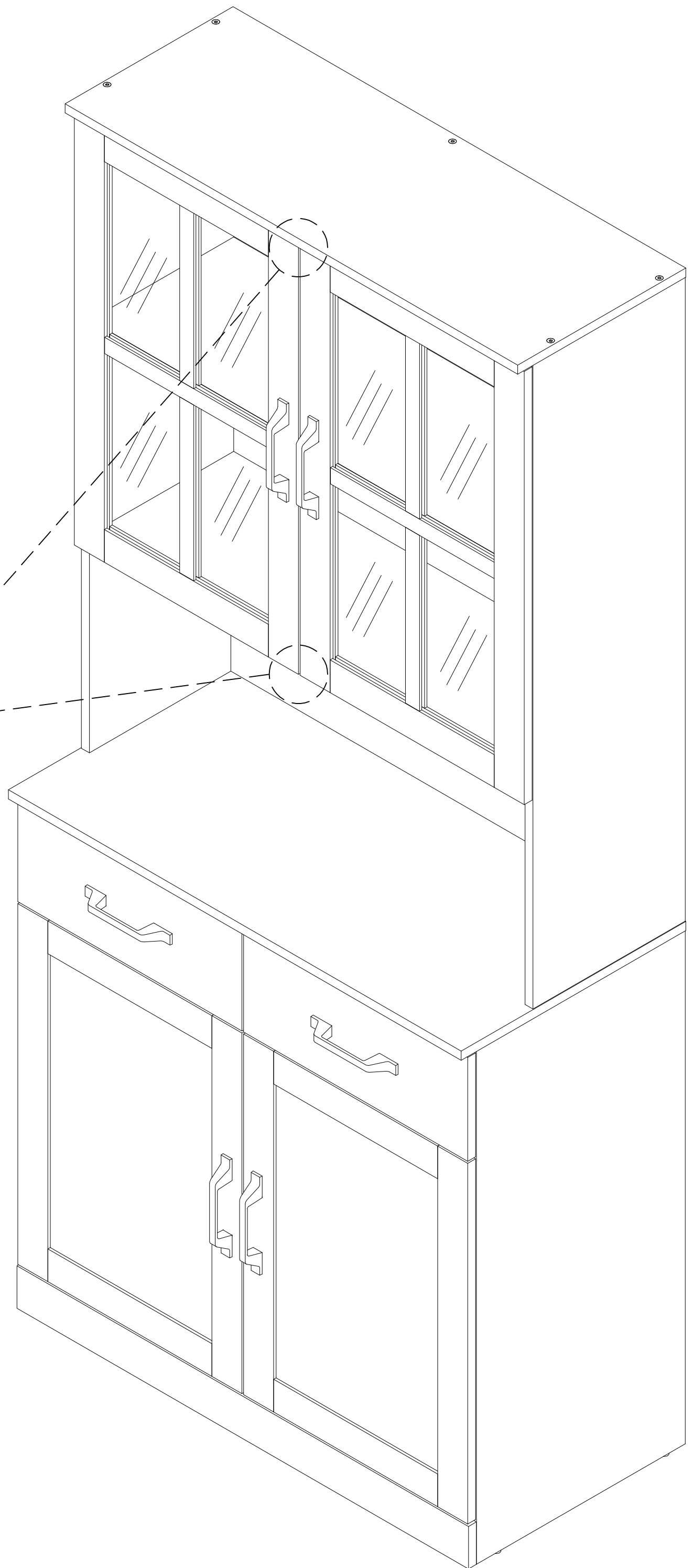
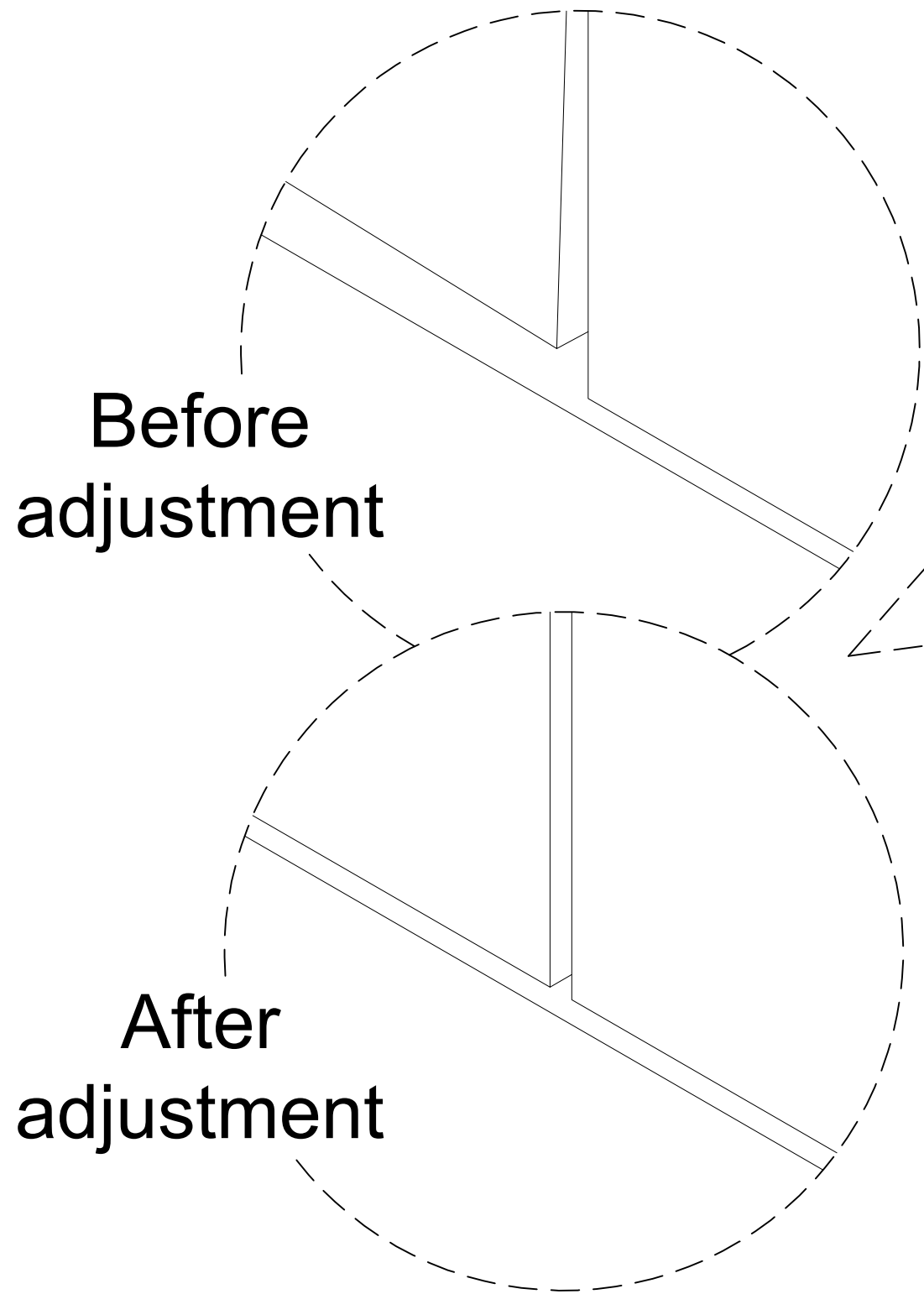
Use a hammer to close anchor (Q.1)



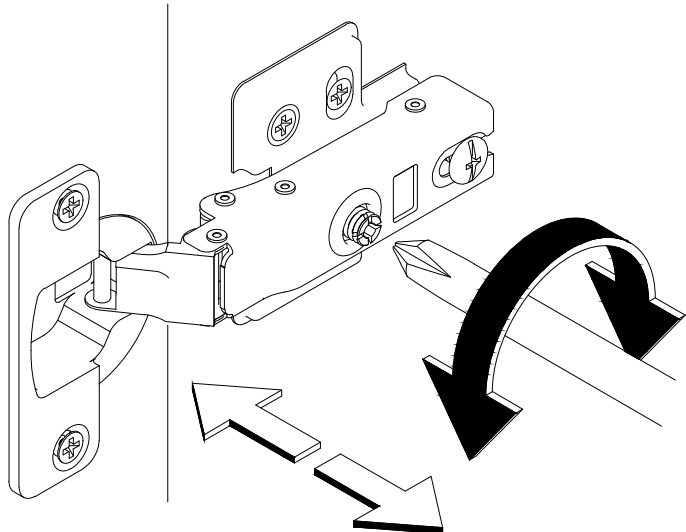
III x2

Step 1: determine the location of the anti-overturning on the wall and then mark the position after confirming the product has been balanced.
 Step 2: drill the hole and then fixed the anchor (Q.1) on the wall
 Step 3: use screw (Q.2) to fix the strap (R.1), and washers (R.3) on the wall

***IF THE DOOR ARE NOT BALANCE**



Adjust the door to run back and forth



Adjust the door left and right



GUARANTEE

Storage Cabinet offers a **90-days** warranty that begins on the date of the original purchase and applies to problems caused by the manufacturer. For questions, assistance, or support, please contact the Customer Service by e-mail with your order number and details. We will send you further information about the solution.