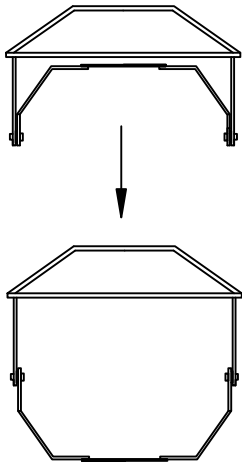
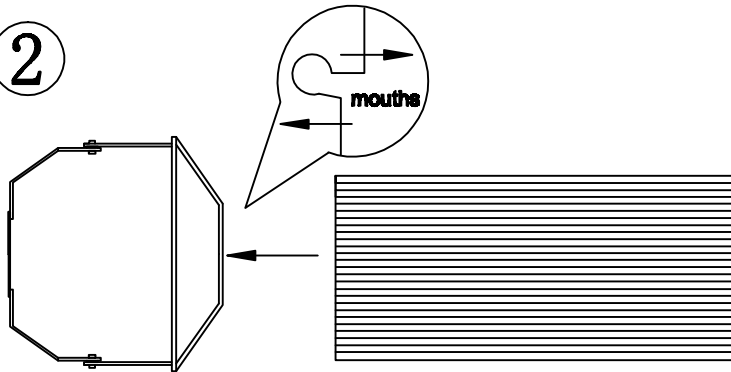


Lampshade Installation

1

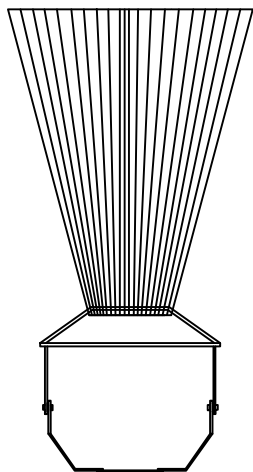


2



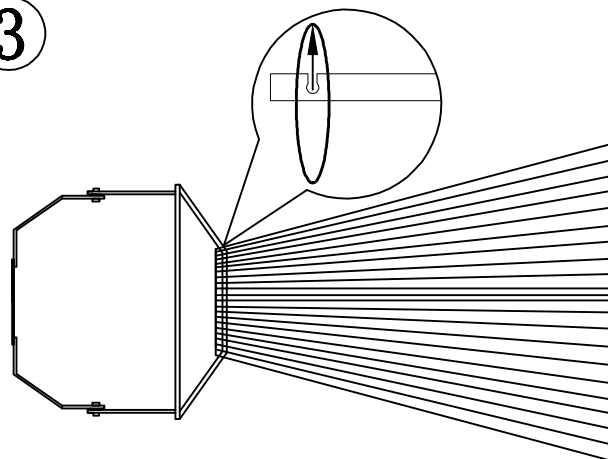
Thread the mouthed side of the lampshade into the iron frame
(25 mouths placed at each interval)

4



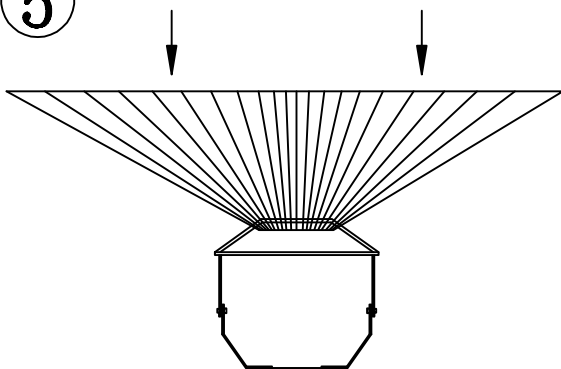
After threading the mouthed side of the lampshade

3



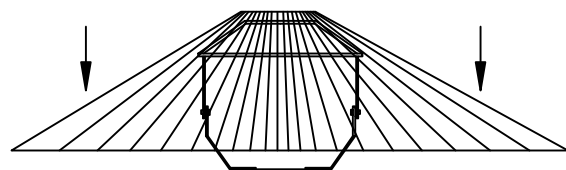
Thread all of the mouthed side of the lampshade

5



Turn the lampshade over as

6



Finish