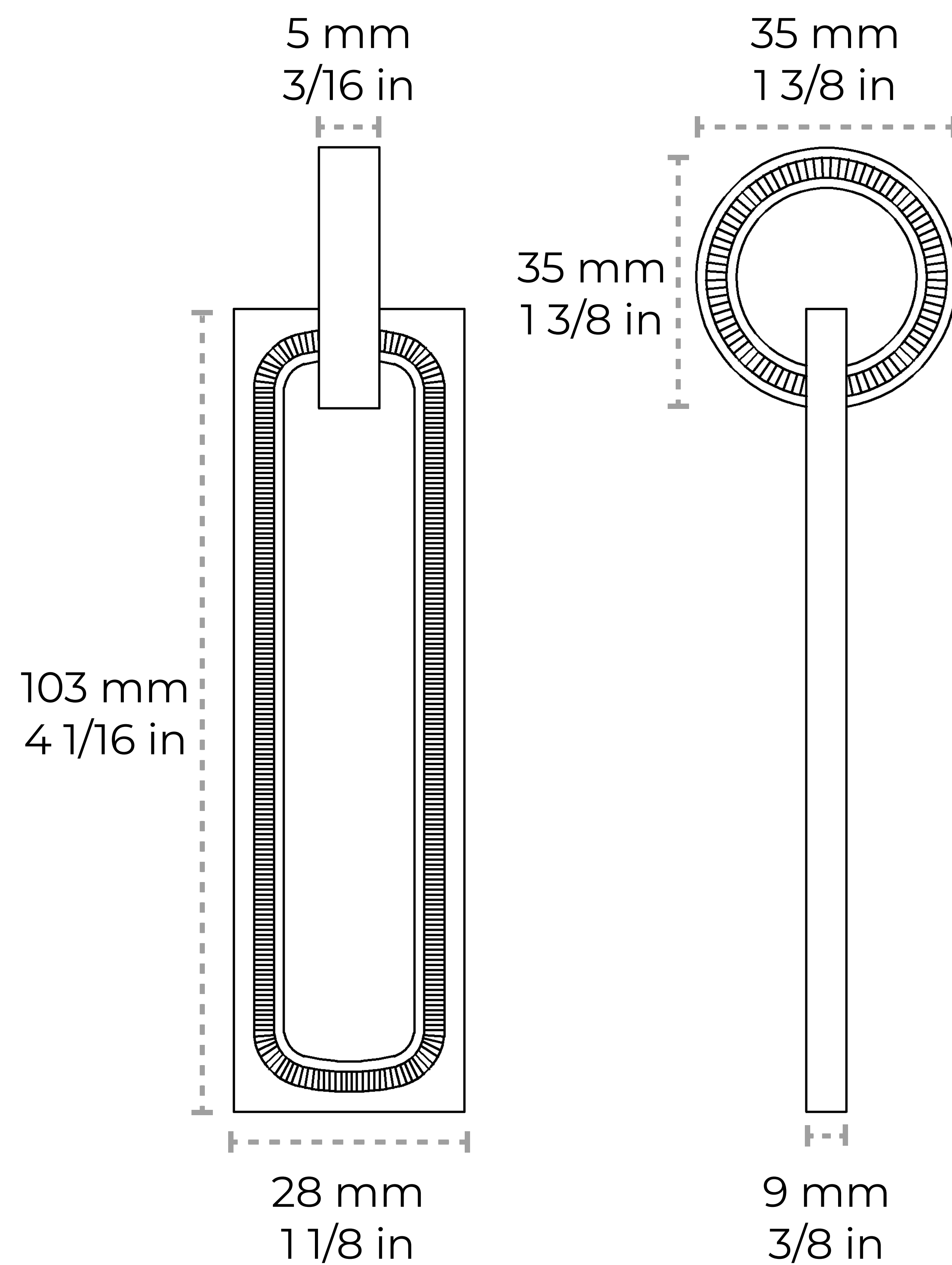


# CH-BR29L-H103

## [Chain BR29L-H] Brass Large Rectangle Chandelier Chain



Material	Brass
Welding Type	Hinge
Max Load	350 lbs
Weight per Foot	1 lbs/ft
Main Link Measurements	Length: 103 mm 4 1/16 in Width: 28 mm 1 1/8 in Diameter: 9 mm 3/8 in
Connecting Link Measurements	Length: 35 mm 1 3/8 in Width: 35 mm 1 3/8 in Diameter: 5 mm 3/16 in

### Contact:

1-360-392-8121

<https://www.rchhardware.com>

