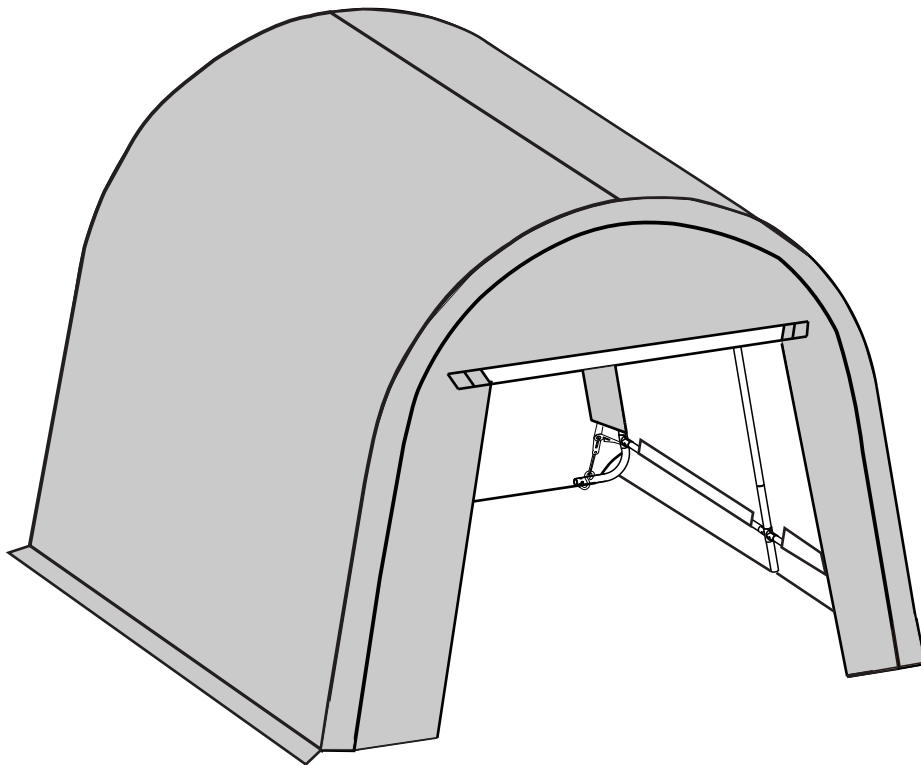


# ROUND TOP PORTABLE SHED

10' x 10' x 8' (3 x 3 x 2.4 m)

## ASSEMBLY MANUAL

Model NO.: 037-6283



+/- 18"

Tools required for assembly (not included)



Manual



Assembly



### CAUTION!

Please read and understand this manual before any assembly or use of this product. Before beginning assembly of the product, make sure all parts are present. Compare parts with packaging contents list. If any part is missing, or if you have any questions, contact the vendor's customer service department at:

888 958 0725

(Monday-Friday 7:00am - 9:00pm EST)  
(Saturday & Sunday 9:00am - 5:00pm EST)

**DO NOT RETURN TO STORE!**

# TABLE OF CONTENTS

IMPORTANT SAFETY INSTRUCTIONS.....2  
INTENDED USE.....2  
PARTS LIST.....3  
ASSEMBLY PREPARATION.....4  
ASSEMBLY .....4-16

# IMPORTANT SAFETY INSTRUCTIONS

### WARNING!



- Read all safety instructions to reduce the risk of injury or death.
- This is a temporary structure and is not recommended as a permanent structure.

- Choose your shelter's location carefully. Check for overhead utility lines, branches, etc. DO NOT install near roofs or other structures that may shed snow, ice or excessive run-off onto your shelter. Keep away from electrical wires!
- Install your shelter on a level surface.
- Check municipal by-laws prior to setting up the product.
- Have an overview of all parts before attempting installation. Make sure all components are available.
- DO NOT use this product in environments for which it is not intended (i.e. extreme cold, high winds, extreme heat, heavy rainfall, etc).
- Always wear safety glasses when assembling this product. Wear gloves when working with tubing to prevent cuts or abrasion.
- **CAUTION:** Anchors must be used with all shelters. Covers should NOT be installed on any product until it has been properly anchored to the ground.
- Proper anchoring and keeping cover tight and free of snow and debris, is the responsibility of the consumer. Damages caused by improper anchoring are not covered under warranty.
- WeatherFast shelters, canopies and garages come with a basic "install" end rib anchor kit to secure and square-up the frame during installation. In most situations, additional anchors are recommended. WeatherFast suggests one anchor per leg.
- **WARNING:** Keep all flame and heat sources away from the shelter fabric. The fabric will burn if left in continuous contact with a flame source.
- DO NOT use open flames or cooking or heating devices inside or in close proximity to the product, including all types of stoves, gas heaters, gas lanterns, citronella torches, mosquito coils, etc.
- **WARNING:** In order to reduce risk of burning and avoid damage, DO NOT:
  - cook, smoke, refuel or use any open flame devices in or around the shelter.
  - store flammable liquids (gasoline, kerosene, propane, etc.) in the shelter.
  - operate gas powered vehicles/equipment in or around the shelter.
- Keep open flames a safe distance away from the shelter.
- DO NOT use hard-edged tools or instruments, such as rakes or shovels, to remove snow. These can cause punctures to the cover.
- NEVER start the engine of any vehicle or machine inside a closed shelter. Ensure that there is adequate ventilation for starting engines and for any work with paints, cleaners, etc.
- This shelter is NOT designed to support heavy snow or ice loads. Snow or ice accumulation may cause your shelter to collapse. To avoid overload, brush snow and ice off the roof top with a broom or mop.
- To prevent collapse, damage to property, personal injury and/or death, NEVER clear the roof of snow or debris from inside the shelter.
- DO NOT use bleach, alkaline or harsh detergents for cleaning. Doing so will damage the polyethylene material. Soap and warm water are recommended.

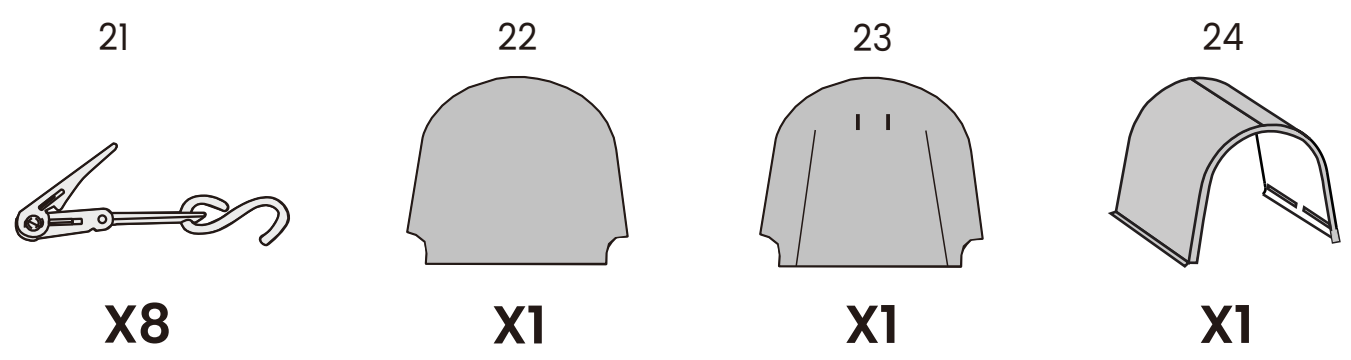
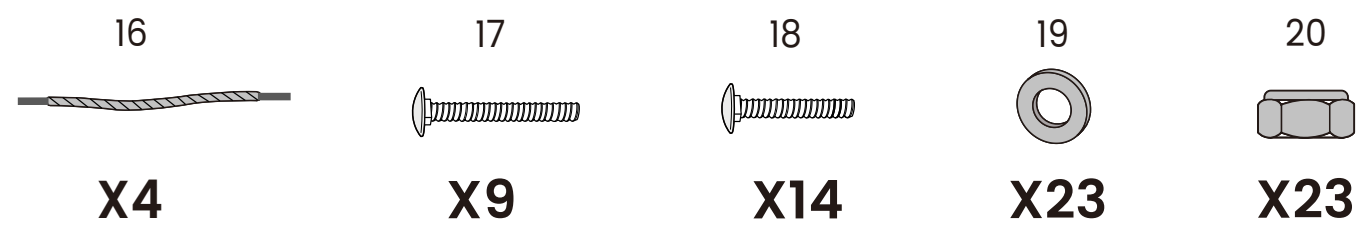
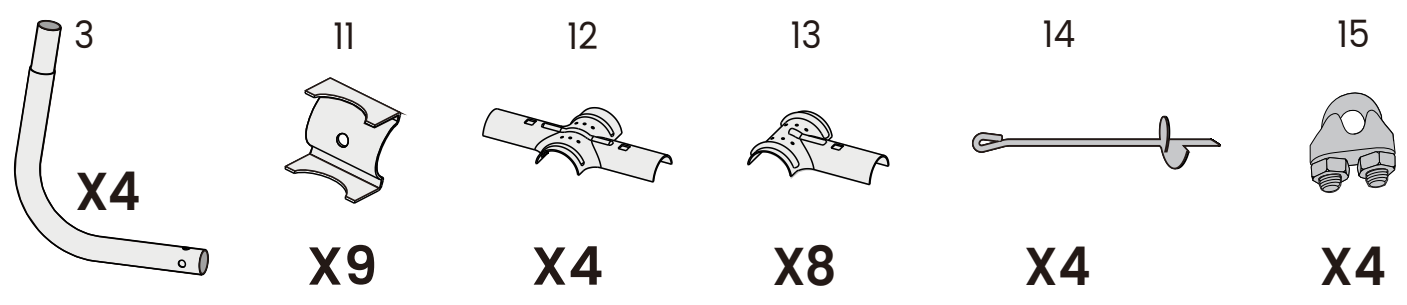
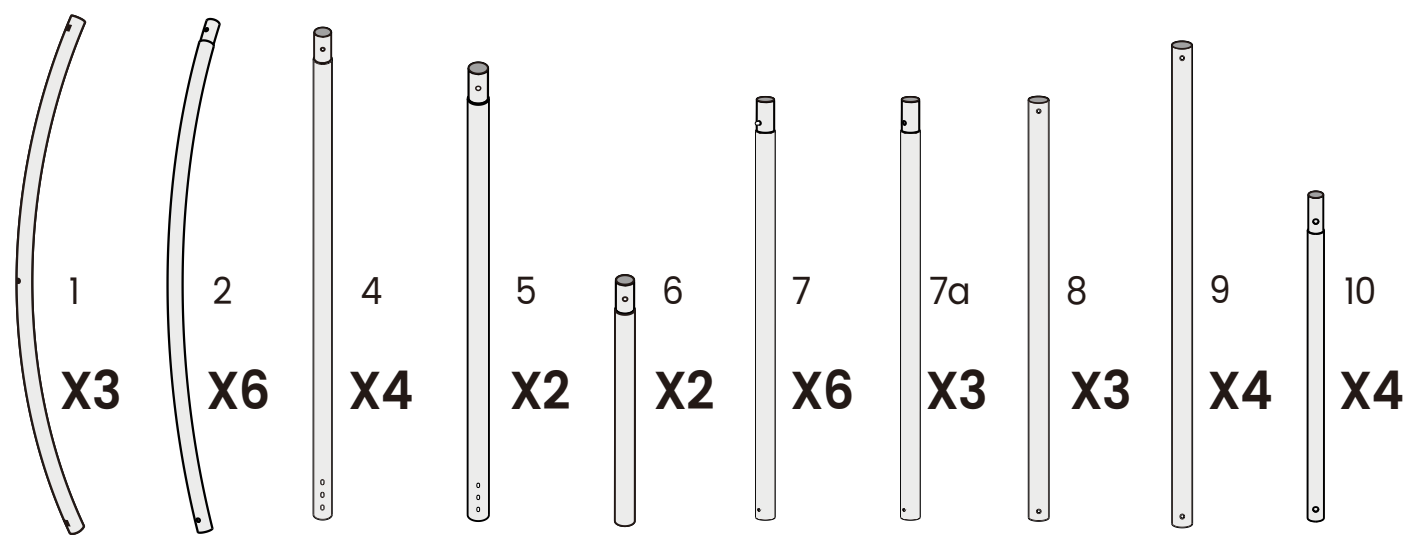


## IMPORTANT! READ CAREFULLY AND RETAIN FOR FUTURE REFERENCE

### INTENDED USE

This temporary shelter is intended to offer protection from damages caused by the sun, light rain, light snow, tree sap, bird and animal excrement. Do not use it to shield goods from high winds, heavy snow or ice storms. Only use it for its intended use.

# **PARTS LIST**



# ASSEMBLY PREPARATION

- Place all parts from the packaging box in a cleared area and arrange them on the ground in front of you.
- Place all packaging materials back in the box and remove the box. Do not dispose of the packaging materials until assembly is complete.
- Check for completeness and transport damages. If any damages or incomplete delivery occur, please call our toll-free number 888-958-0725 for assistance.

## WARNING!



- Do not place the product under trees from which hard fruit such as apples, walnuts or heavy pine cones, etc., may fall. The shed's cover only protects against normal leaves and light debris, whereas large branches or other falling items may puncture or tear the cover material.
- Keep children away during assembly. This product contains small parts which can be swallowed by children.
- Do not attempt to assemble the product if any parts are missing.
- At least 2 people are needed to complete the assembly as some of the steps require heavy lifting.



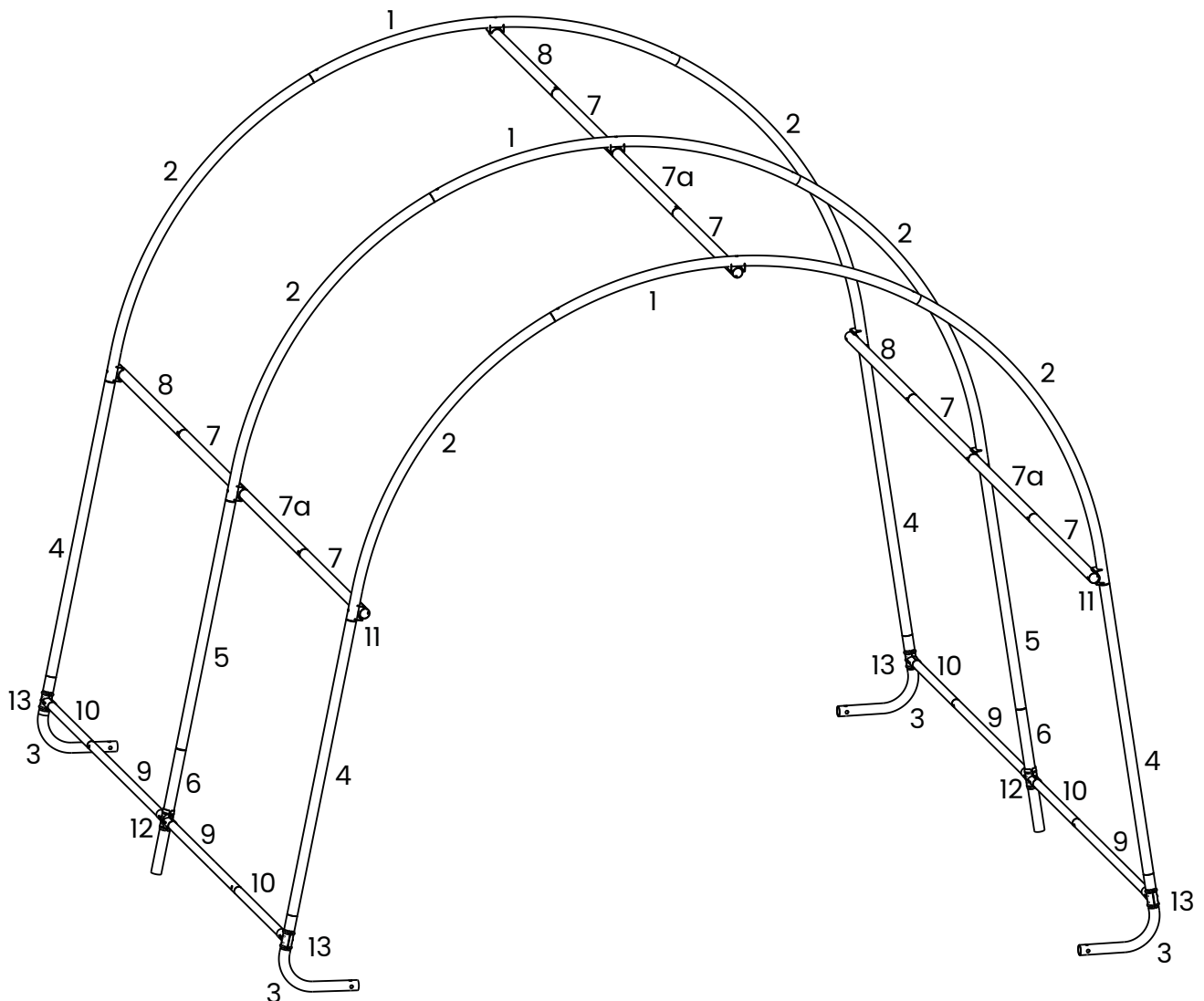
# ASSEMBLY



## WARNING!

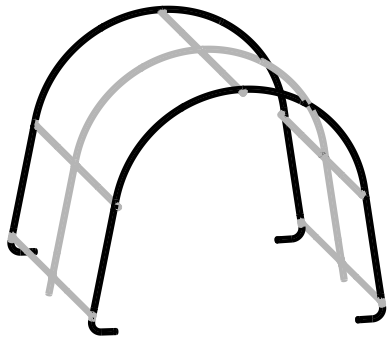
- Do not leave the shed unattended during assembly. Otherwise, personal injury or damage to the shed may occur!

## Frame assembly overview

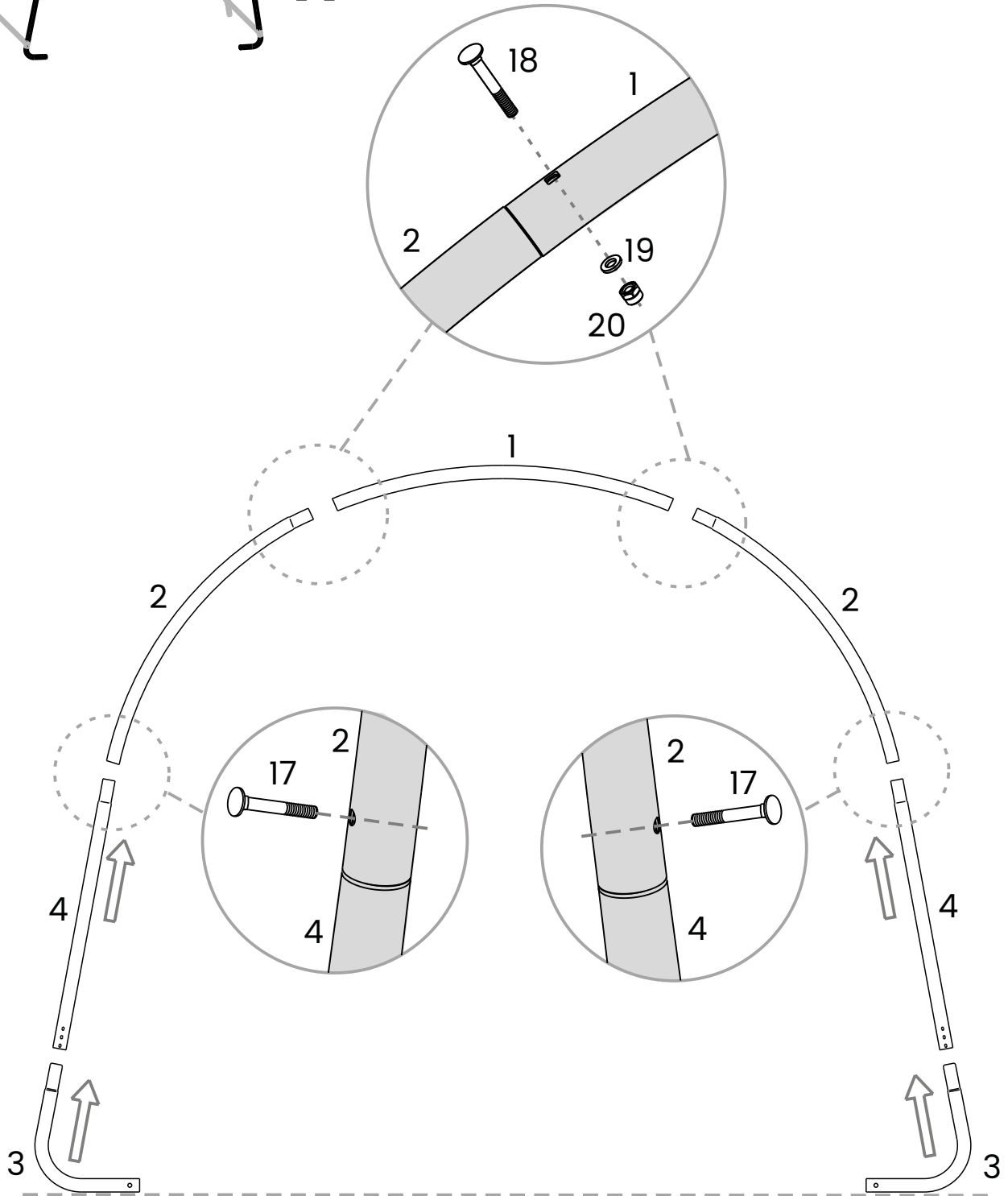


# ASSEMBLY

## Step 1

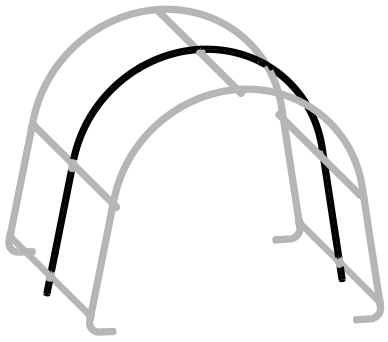


**X2**

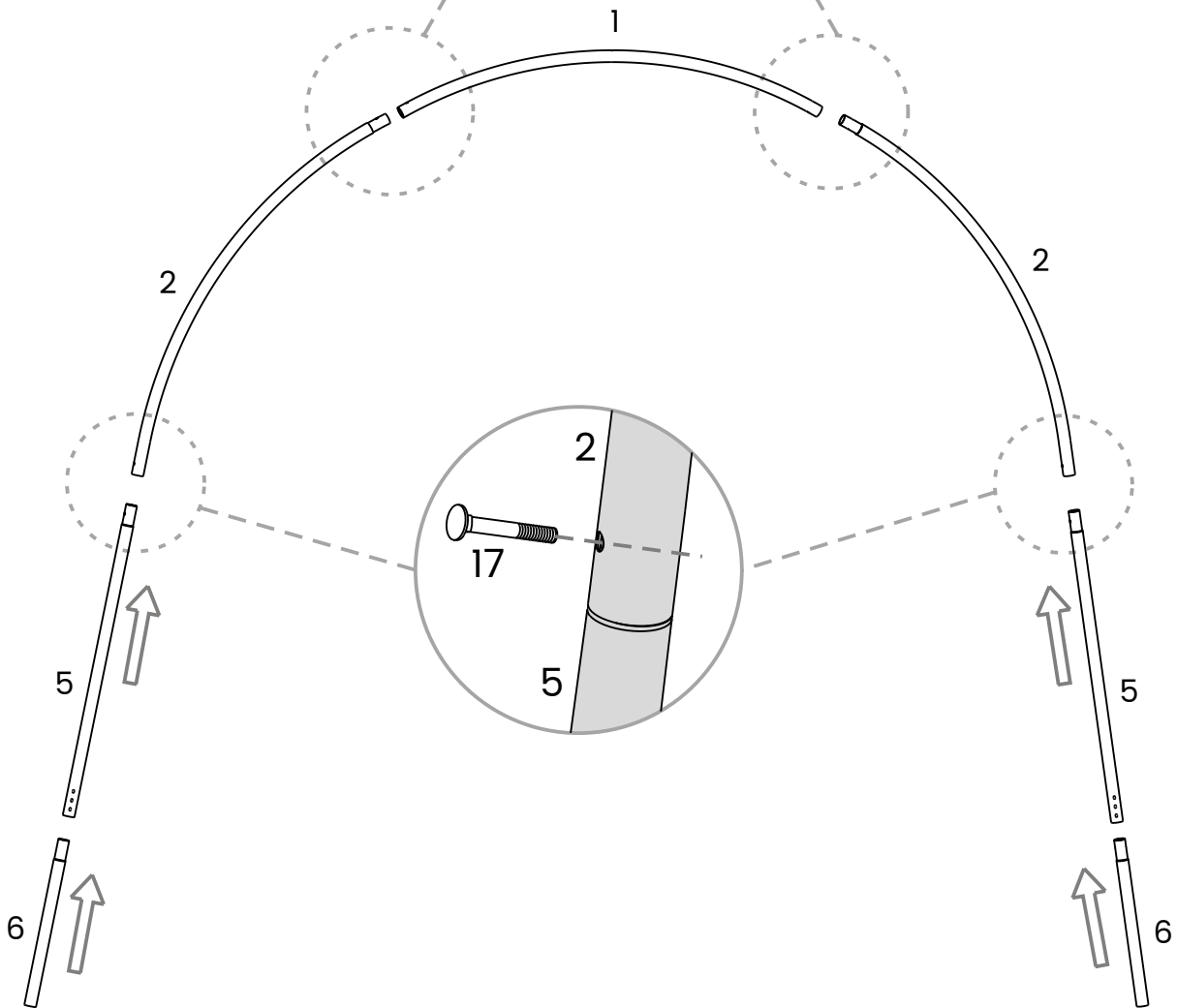
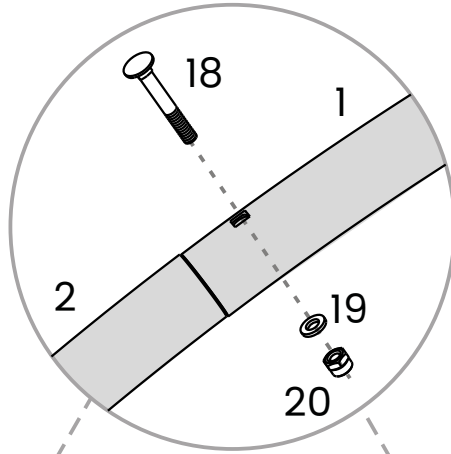


# ASSEMBLY

## Step 2

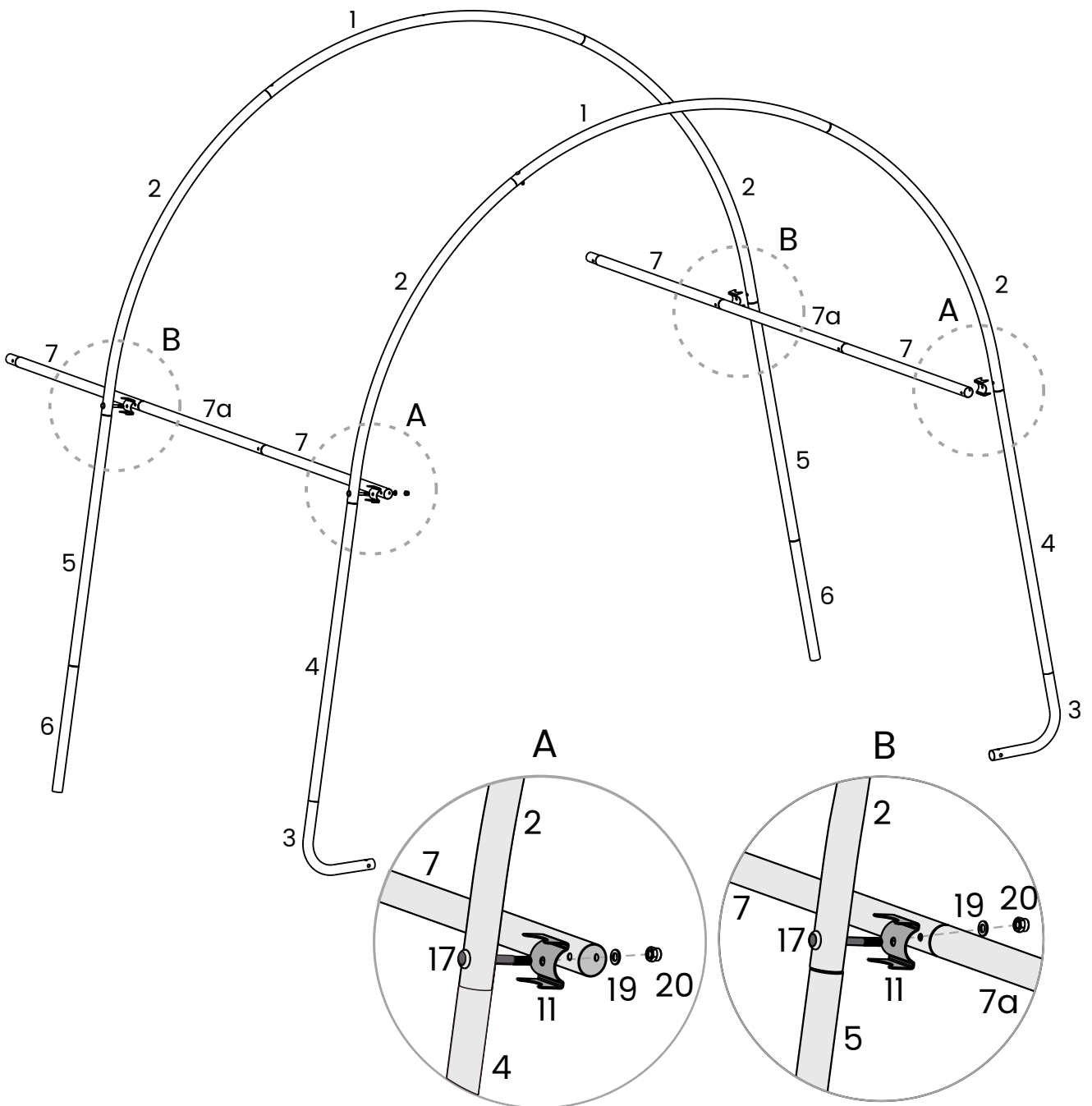
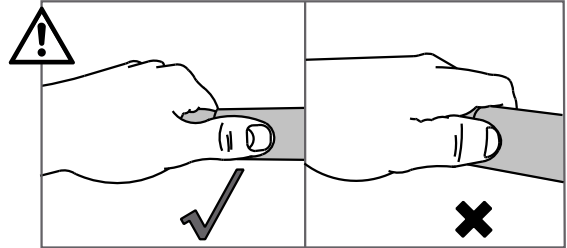
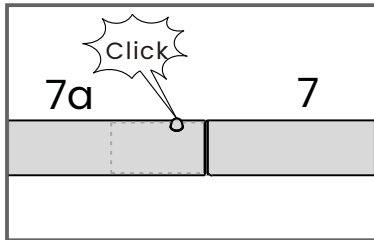
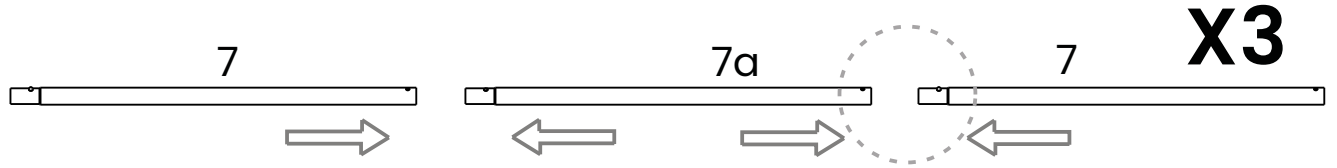


**X1**



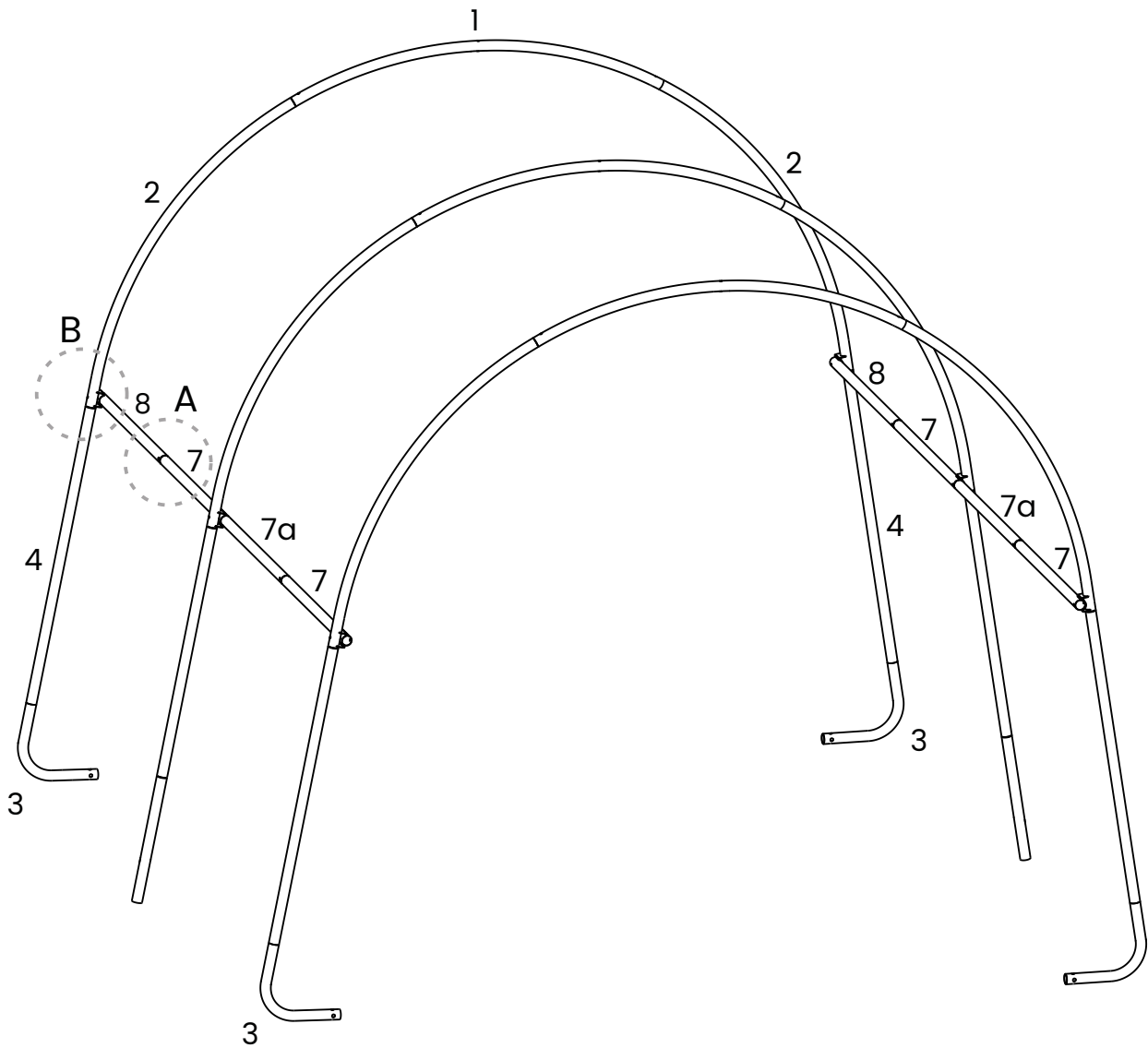
# ASSEMBLY

## Step 3

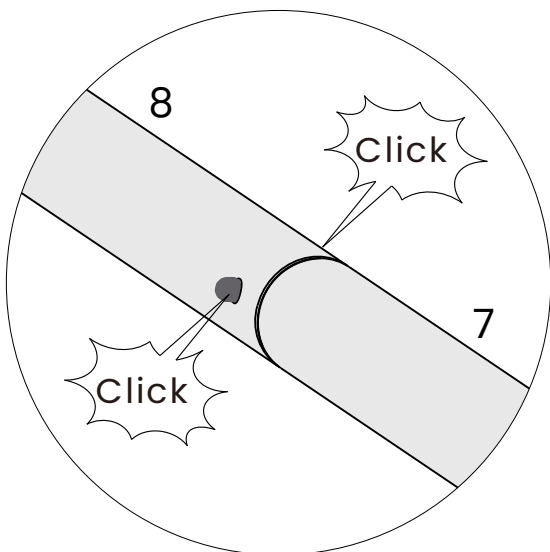


# ASSEMBLY

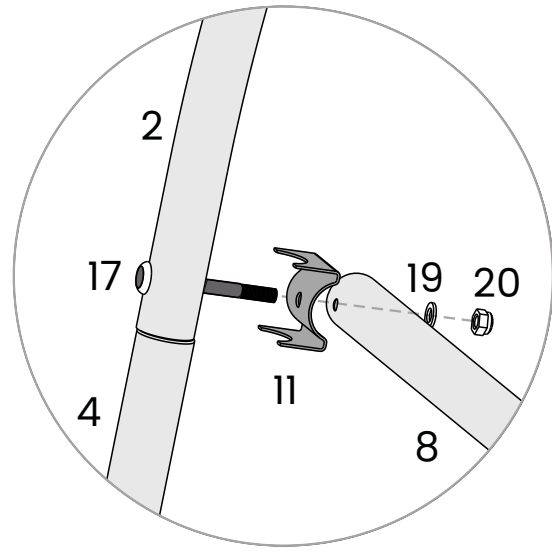
## Step 4



**A**

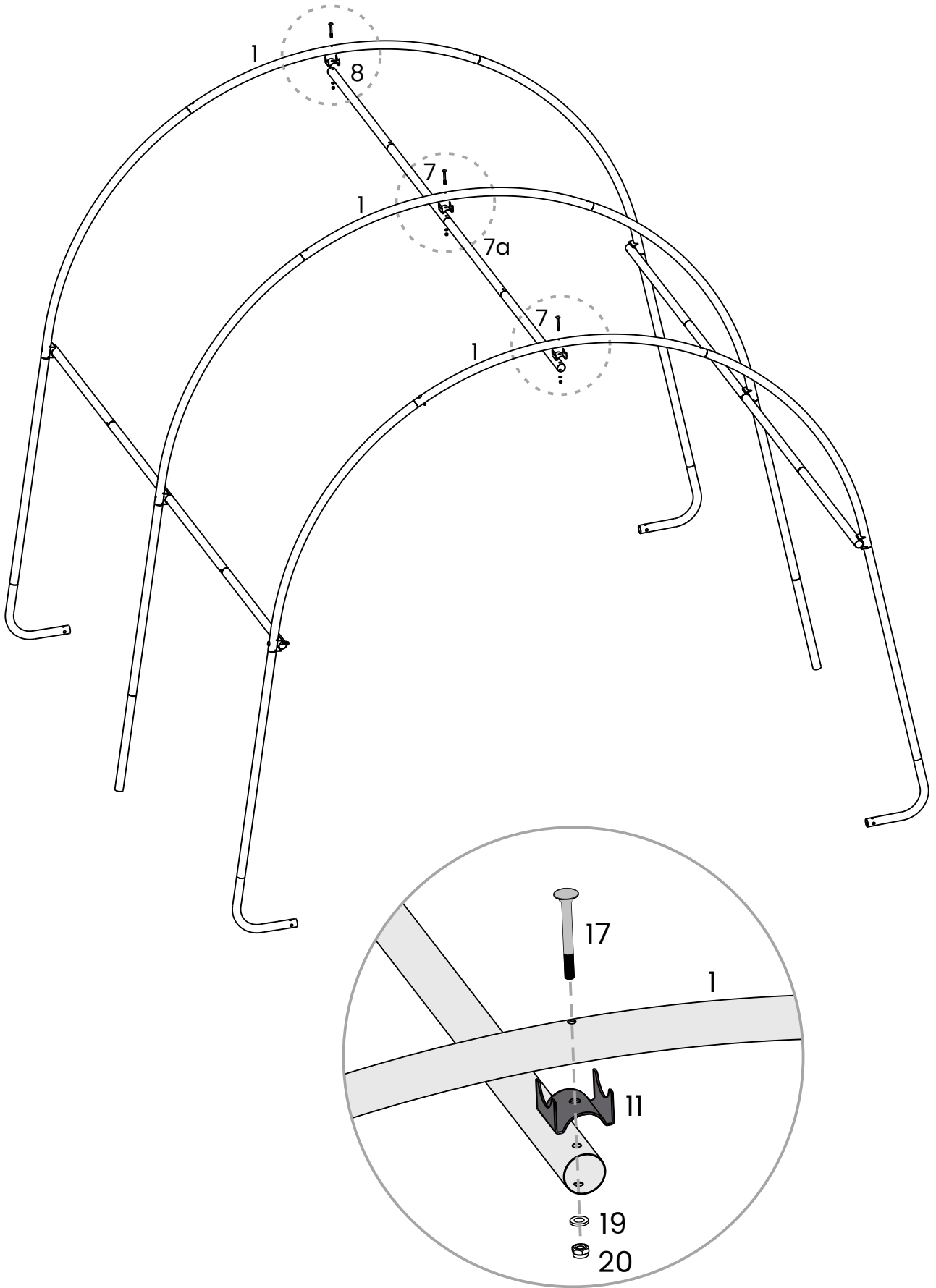


**B**



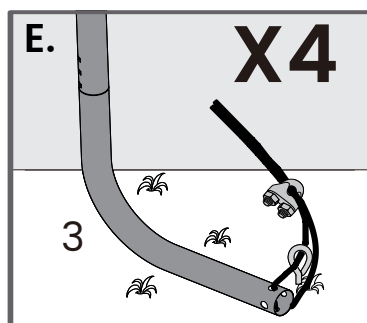
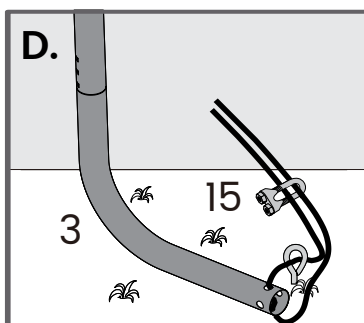
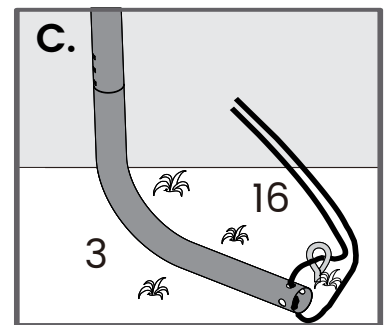
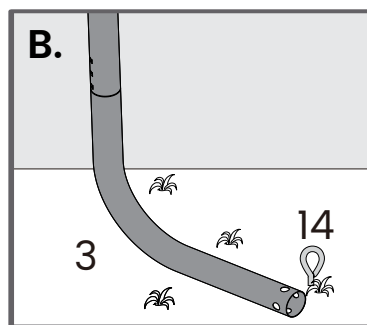
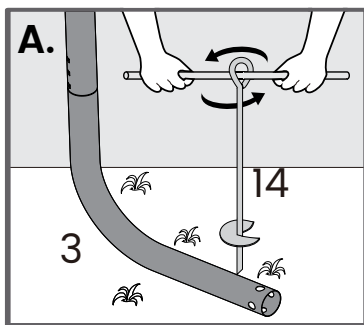
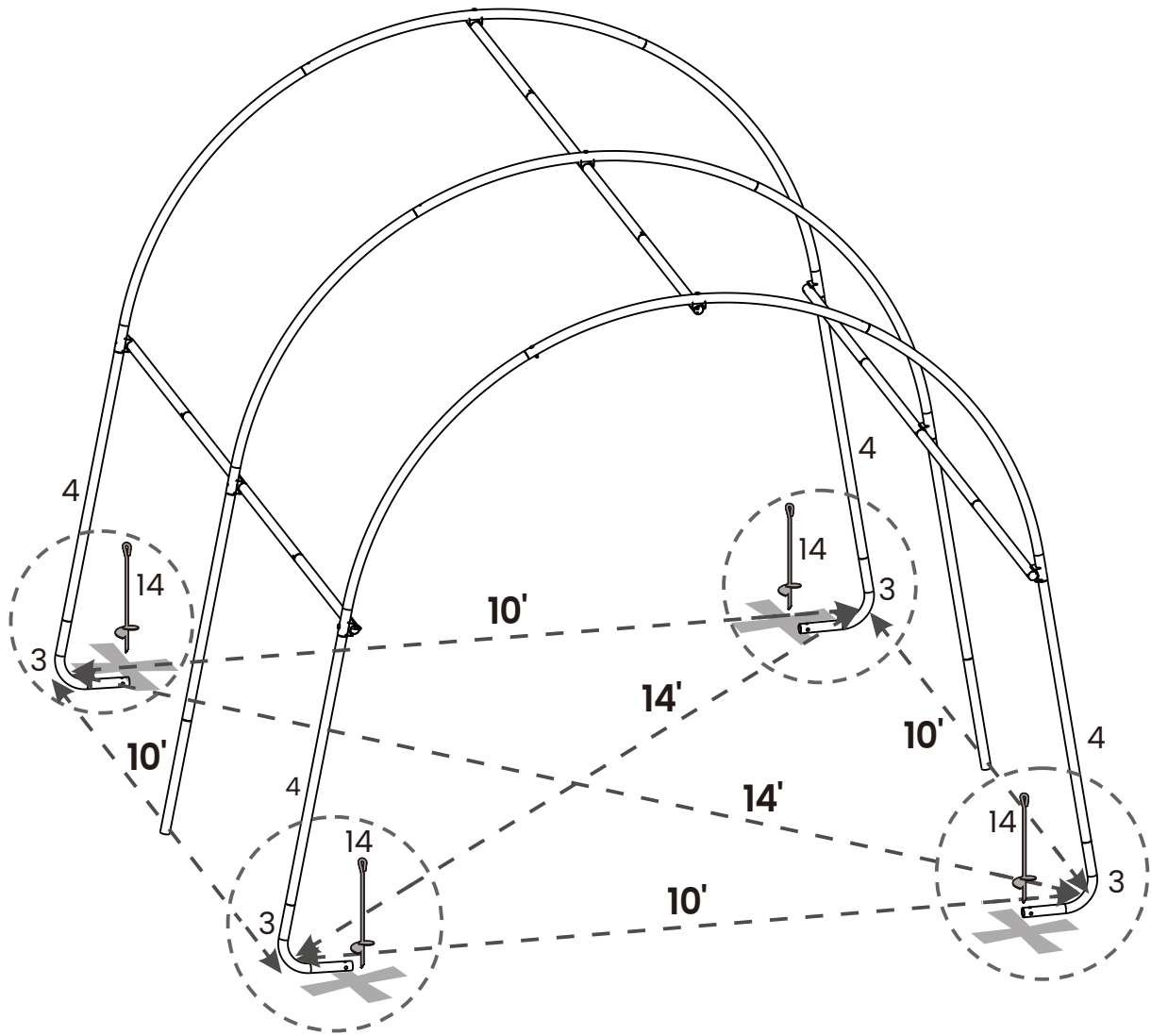
# ASSEMBLY

## Step 5



# ASSEMBLY

## Step 6



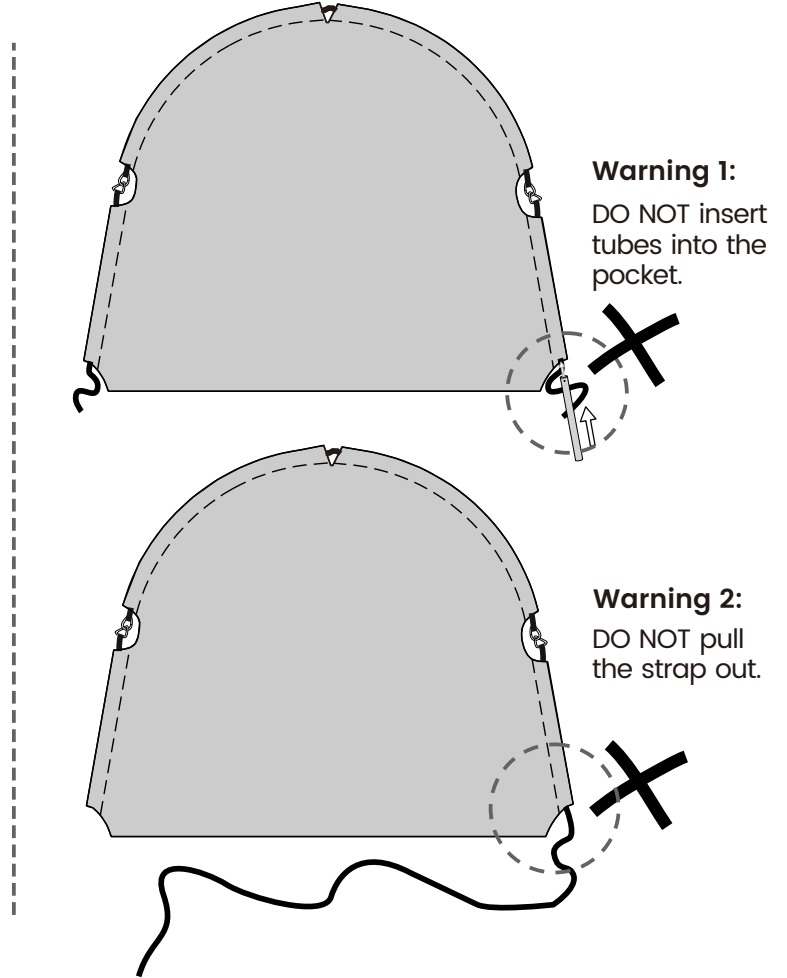
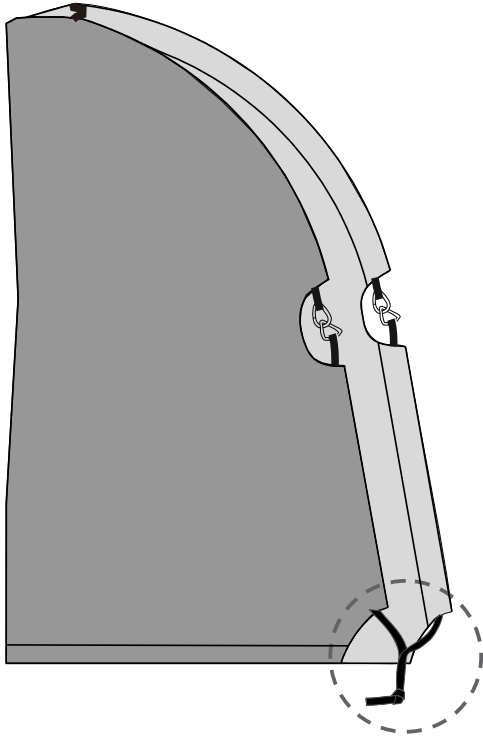
**ANCHOR GUIDE**

WeatherFast shelters, canopies and garages come with a basic "install" end rib anchor kit to secure and square-up the frame during installation. In most situations, additional anchors are recommended. WeatherFast suggests one anchor per leg.

# ASSEMBLY

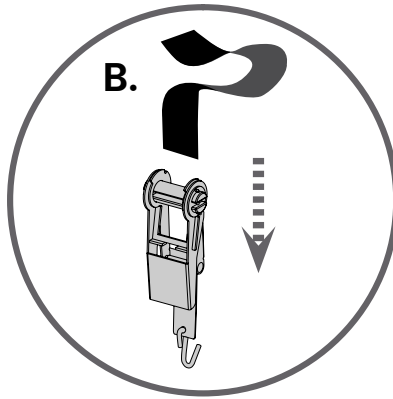
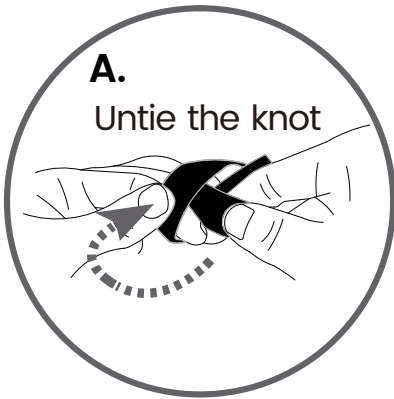
## Step 7

22&23

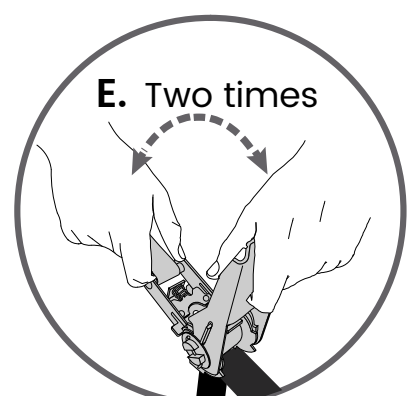
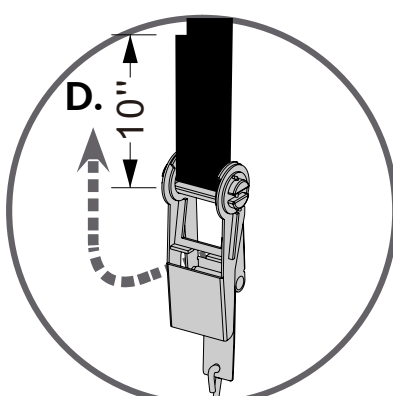
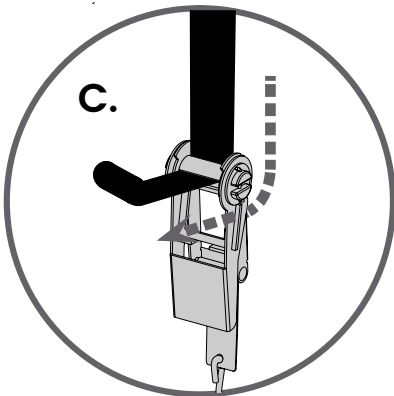


### IMPORTANT!

Put ratchets onto straps before putting tarp up onto frame.

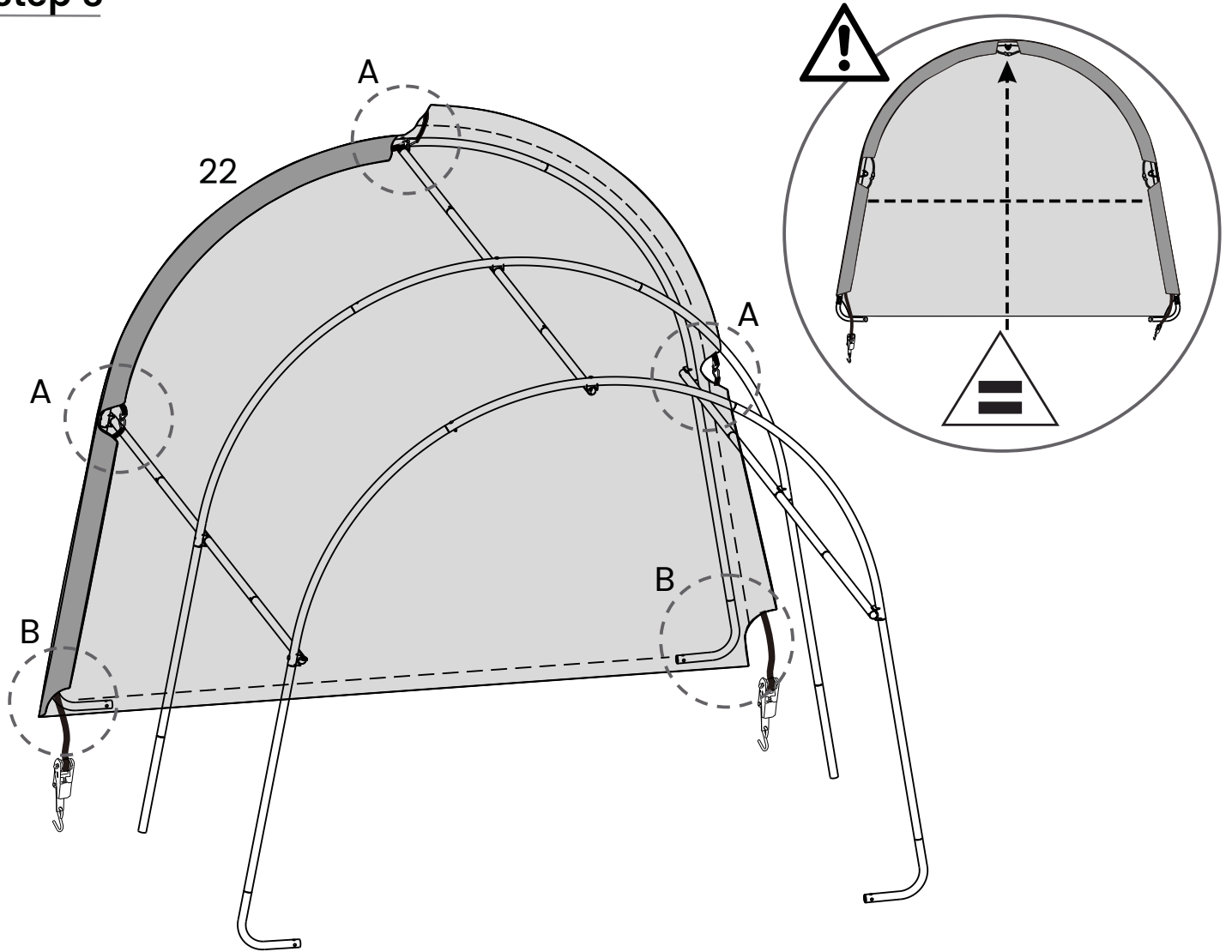


Ratchet Strap size:  
18mm(0.71")x7m(275.6")

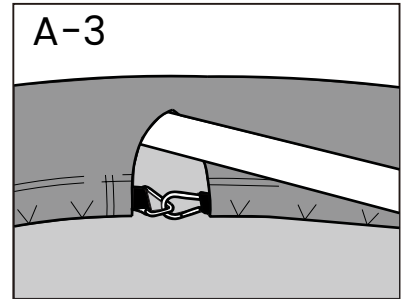
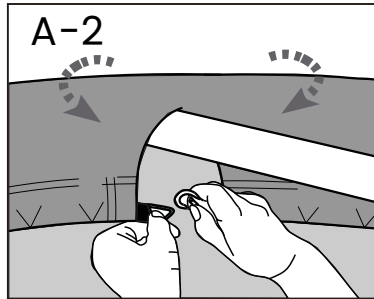
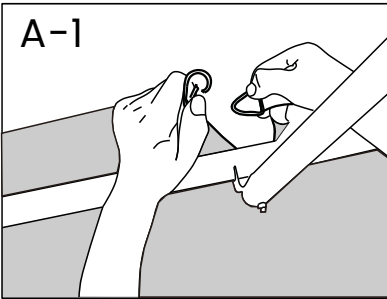


# ASSEMBLY

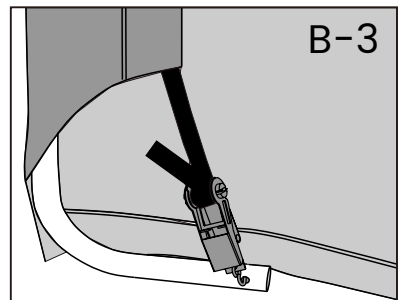
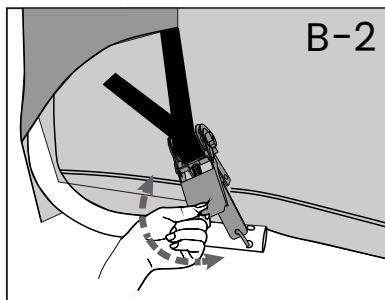
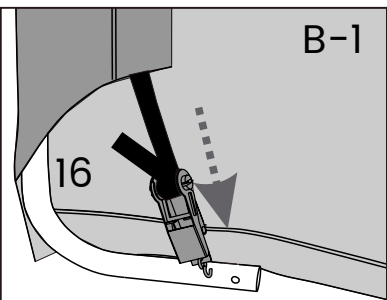
## Step 8



**A**



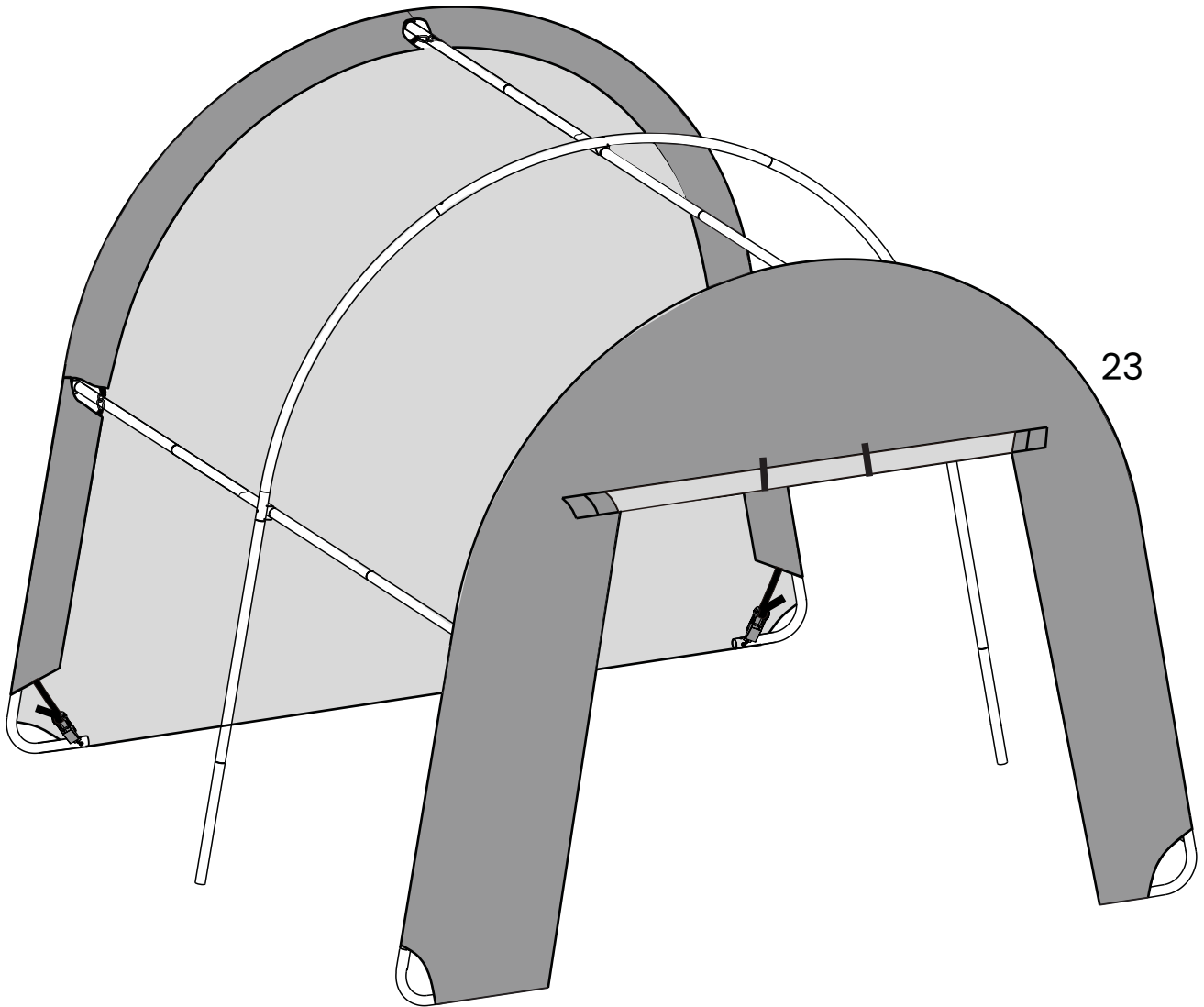
**B**



# **ASSEMBLY**

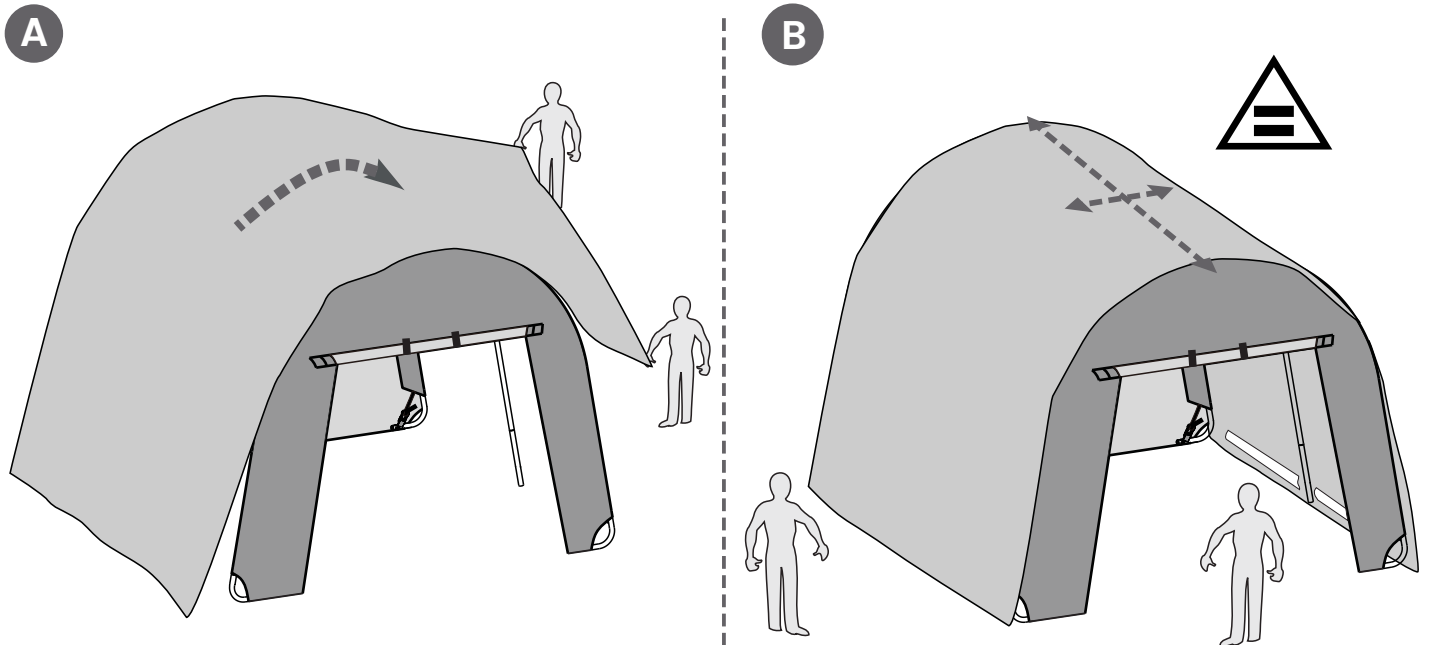
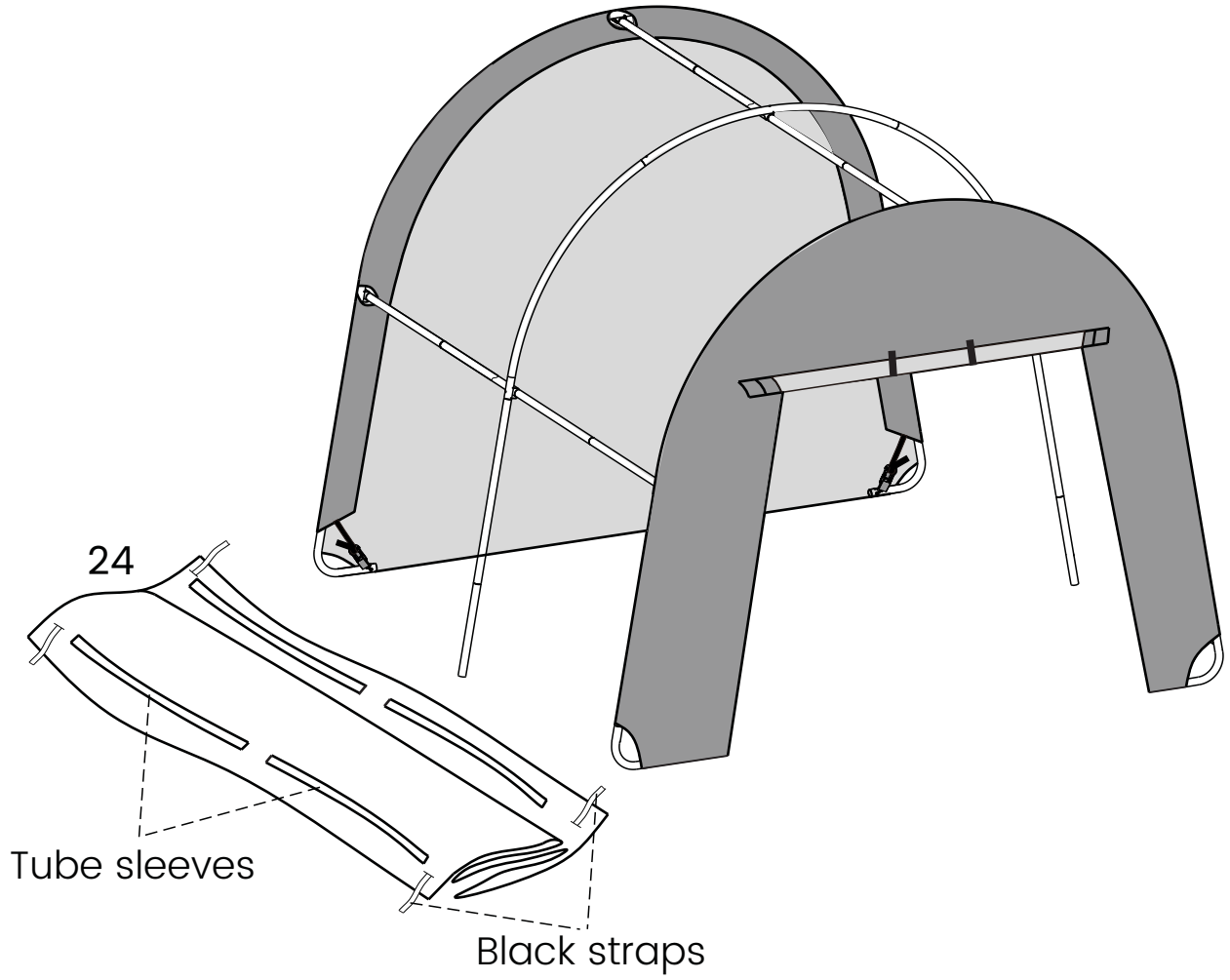
## **Step 9**

- Repeat Step 8



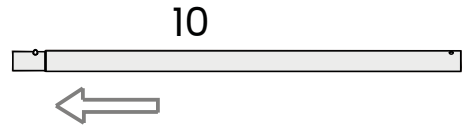
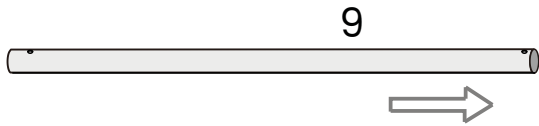
# ASSEMBLY

## Step 10

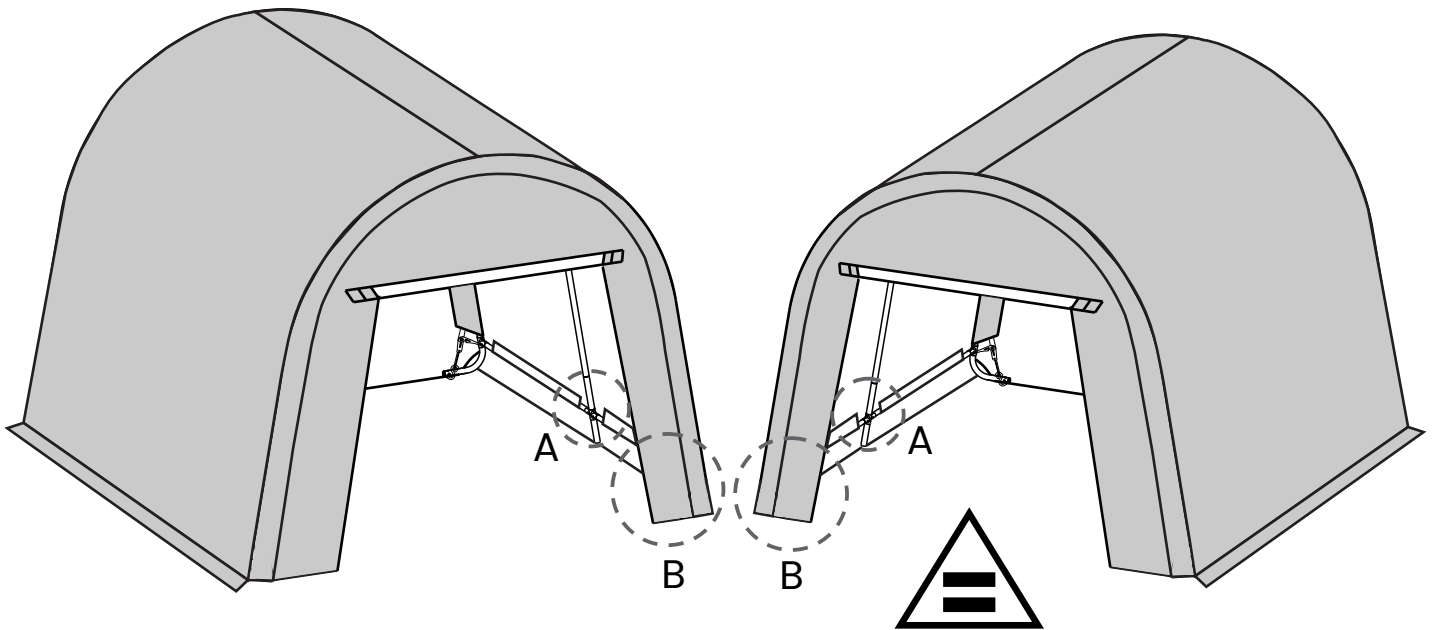
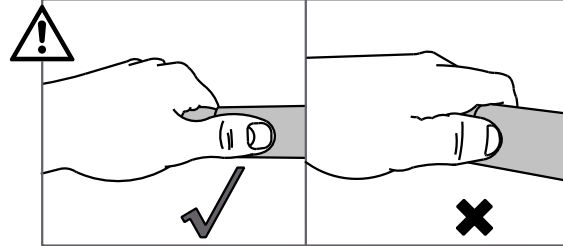
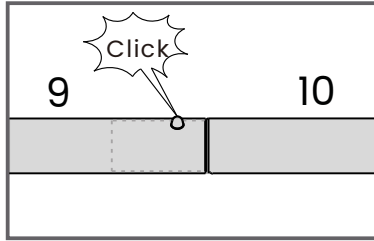


# ASSEMBLY

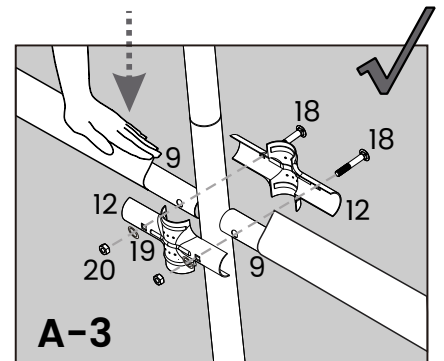
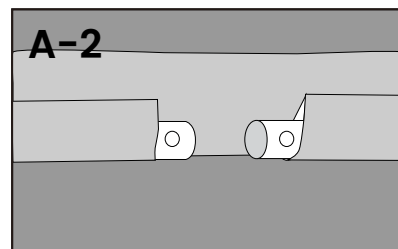
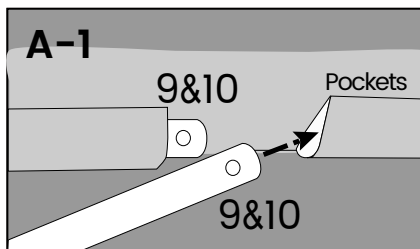
## Step 11



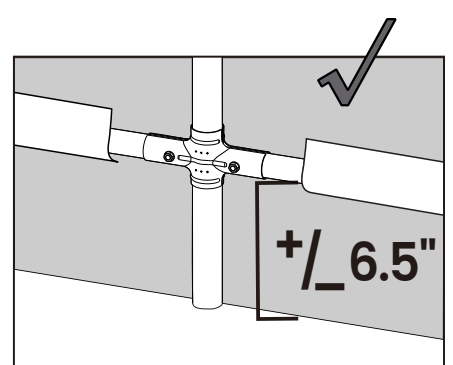
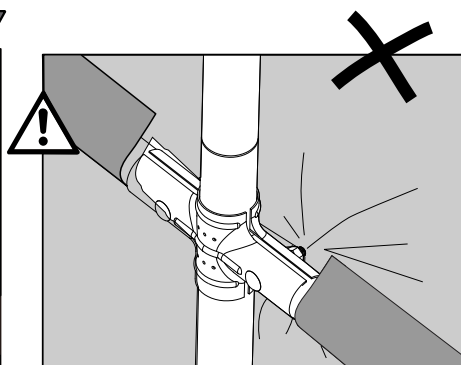
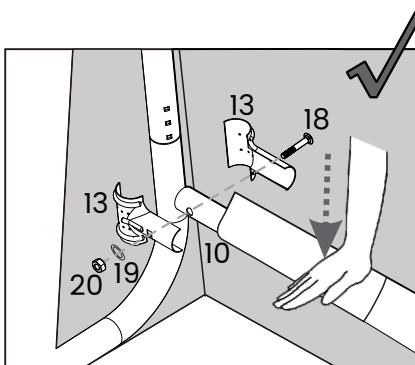
**X4**



**A**

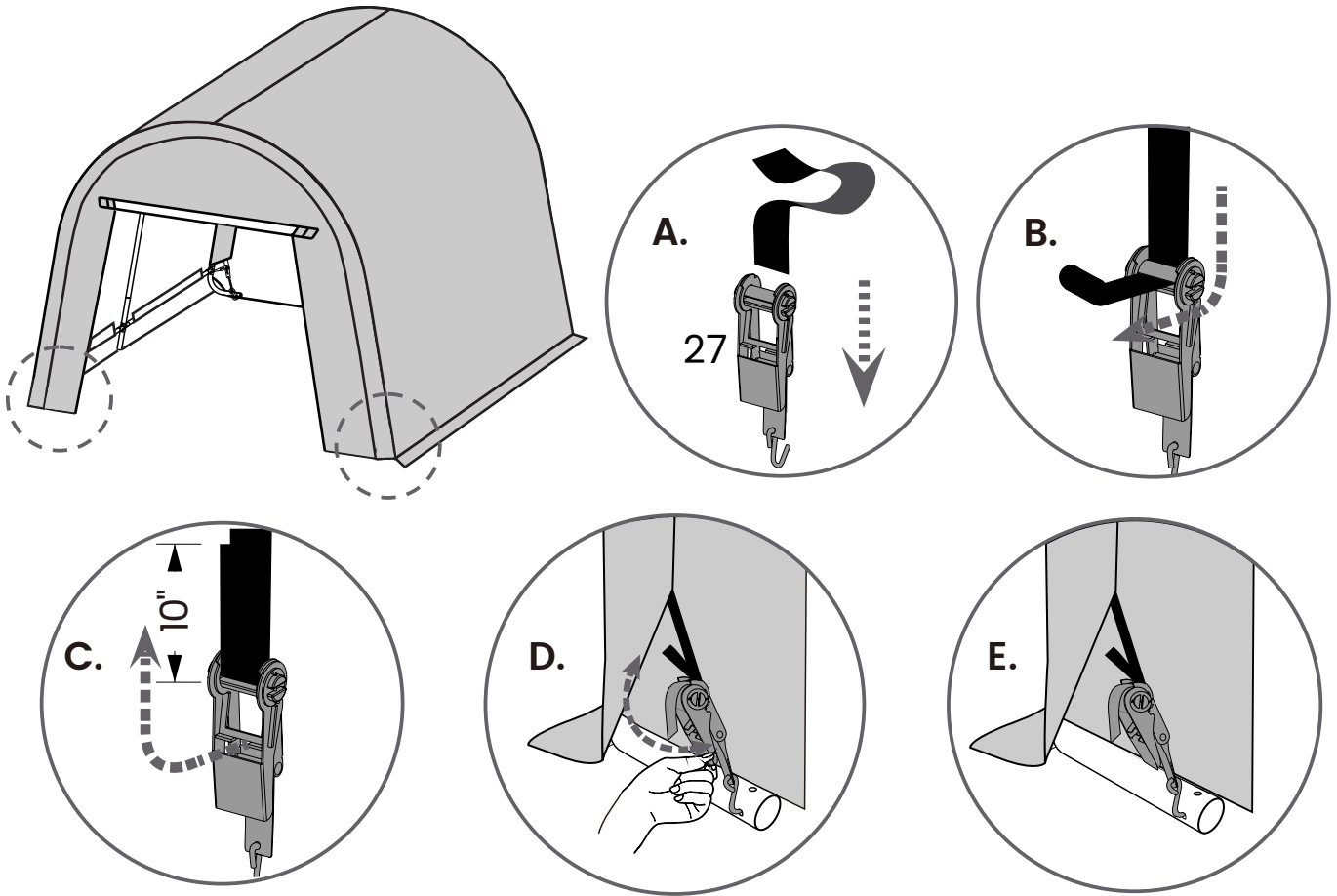


**B**



# ASSEMBLY

## Step 12



### Caution!

- When disassembling the shed, press the spring-loaded bar and open the ratchet handle completely to pull out the strap.

