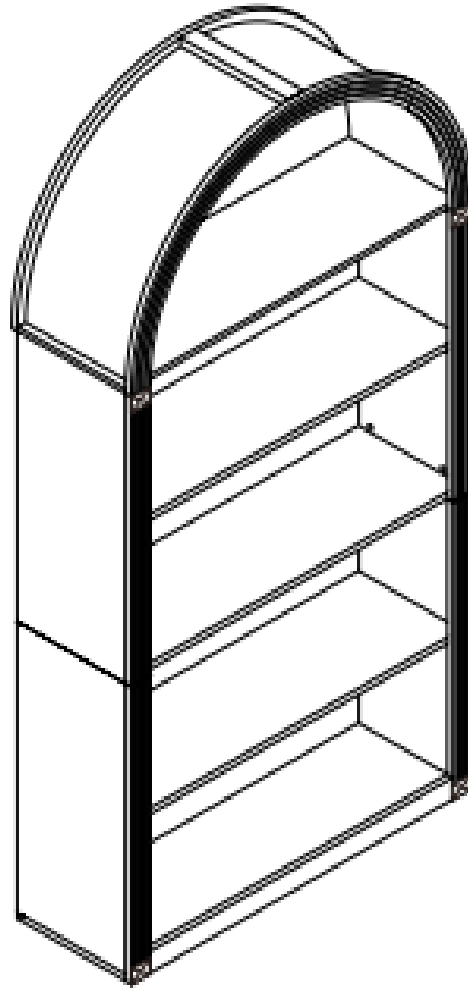


Installation Instruction



Product name

Bookshelf

Ver.2.0 202511

Do not use power tools to assemble your furniture. Power tools may strip or damage the parts.



Friendly Reminder:

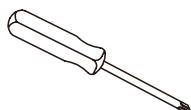
Assembling with damaged panels may affect after-sales service. Please check the integrity of all panels before assembly. If any damage is found:

- ✓ Take photos of the damaged area from multiple angles (preferably under natural light)
- ✓ Keep all packaging materials
- ✓ Do not assemble the product and contact online customer service immediately

Assembling

What you need

- Use the packaging carton as a working surface to prevent product damage during assembly
- Phillips head screwdriver



Weight Limitation



30
lbs per shelf

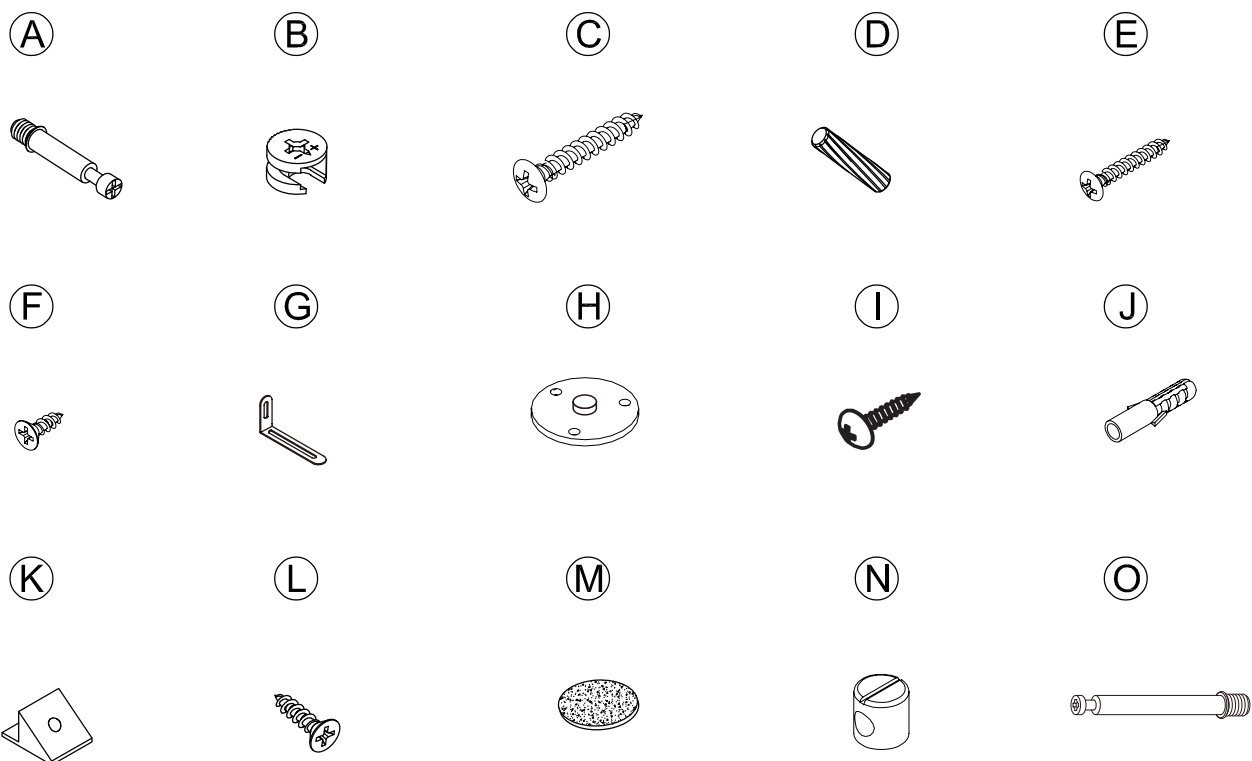


2 PERSONS

What's included

Code	Description	Qty
A	Cam Bolt M6X35MM	38
B	Cam Lock 15X10MM	42
C	Screw M4X30MM	4
D	Wooden Dowel M6X30MM	36
E	Screw M4X40MM	2
F	Screw M3.5X14MM	12
G	Metal Plate	2
H	Three-hole Iron Plate Nut	4
I	Screw M3X14MM	2
J	Anchor	2
K	Plastic Comer Support	16
L	Screw M3X14MM	16
M	Felt floor mat	4
N	Hammer nut	4
O	Cam Bolt	4

The Hardwares



IMPORTANT:

1. Do not tighten bolts / screws completely until all bolts / screws are lined up and inserted into holes.
2. Do not over tighten screws and bolts to avoid stripping.
3. Please use hand tools to assemble this product. Do not use power tools.
4. Must need 2 people to assemble this product.

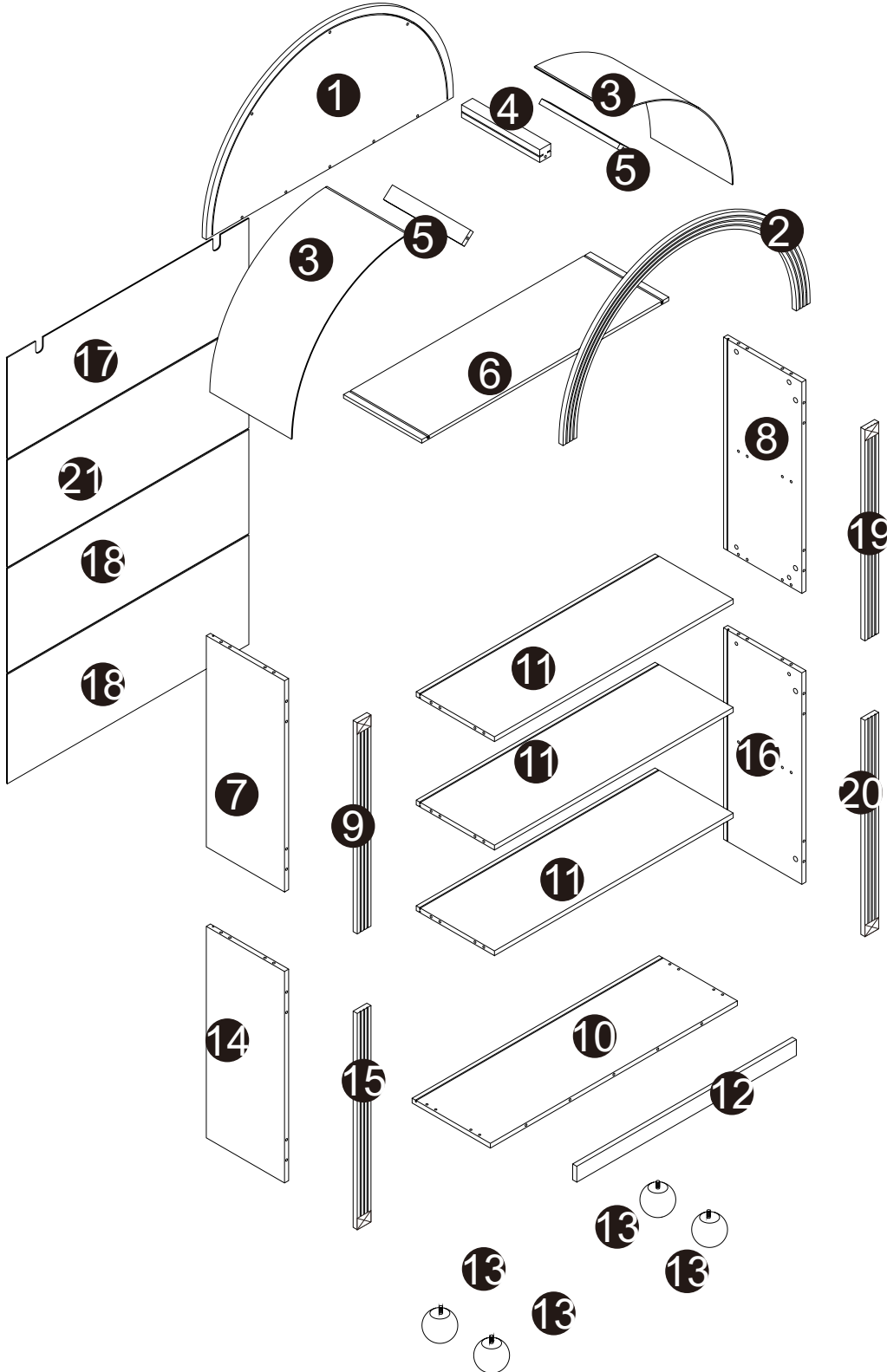


2 PERSONS

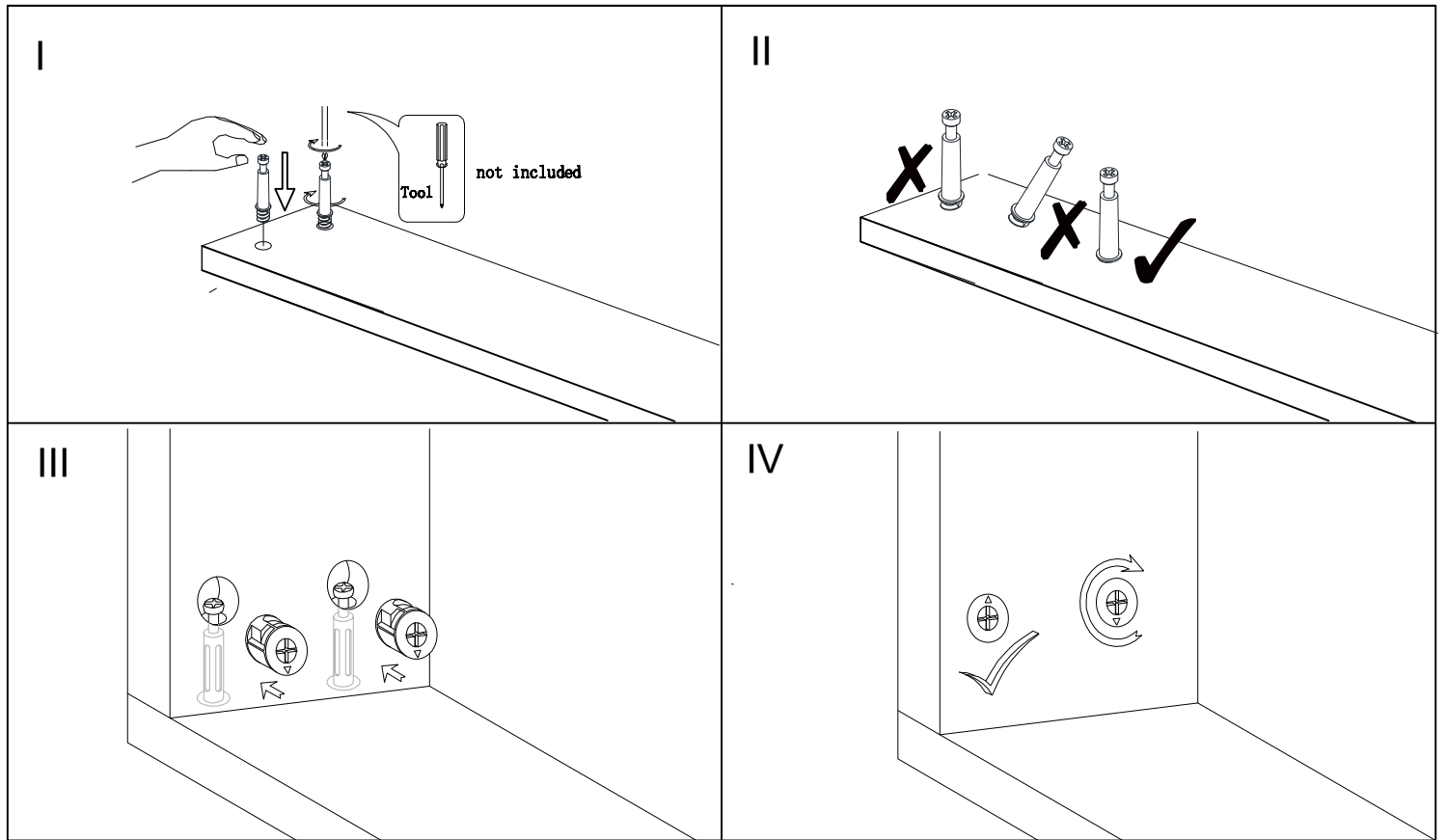
Included Accessories

Code	Description	Qty
1	Top curved back panel	1
2	Arc Decorative Panel	1
3	Side Arc Panel	2
4	Arc Connecting Strip	1
5	Supporting bar	2
6	Top shelf	1
7	Upper Left Side Plate	1
8	Upper Right Side Plate	1
9	Upper left Decorative Strip	1
10	Bottom Panel	1
11	Shelf	3
12	Bottom Front Strip	1
13	Round feet	4
14	Bottom Left Side Plate	1
15	Bottom Left Decorative Strip	1
16	Bottom Right Side Plate	1
17	Top Back Panel	1
18	Back Panel	2
19	Upper Right Decorative Strip	1
20	Bottom Right Decorative Strip	1
21	mid-back panel	1

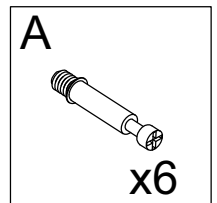
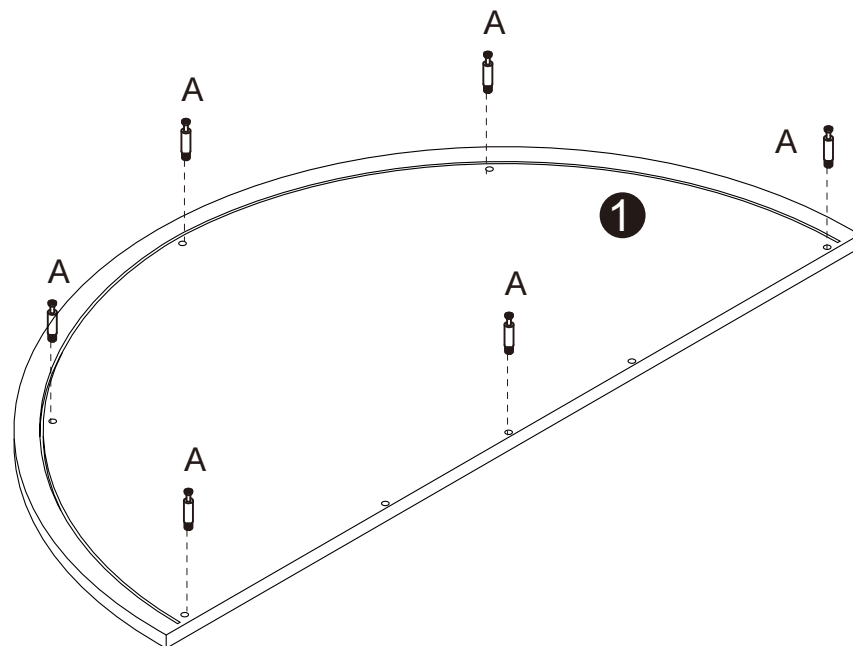
The Accessories



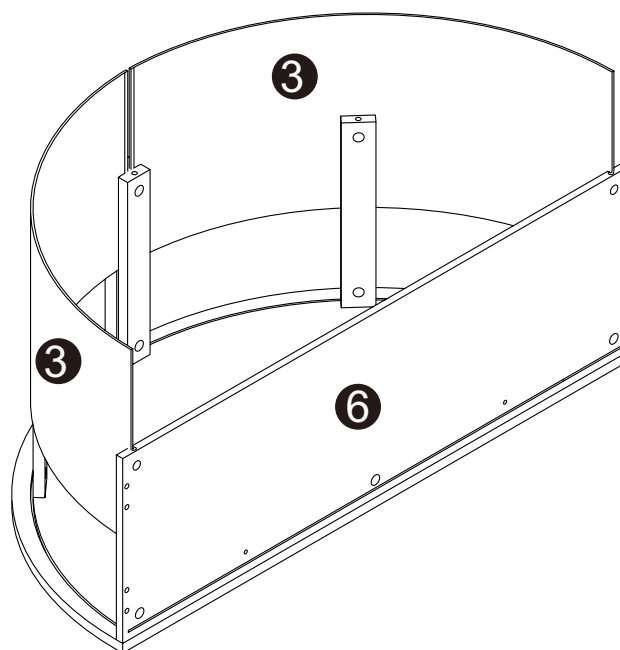
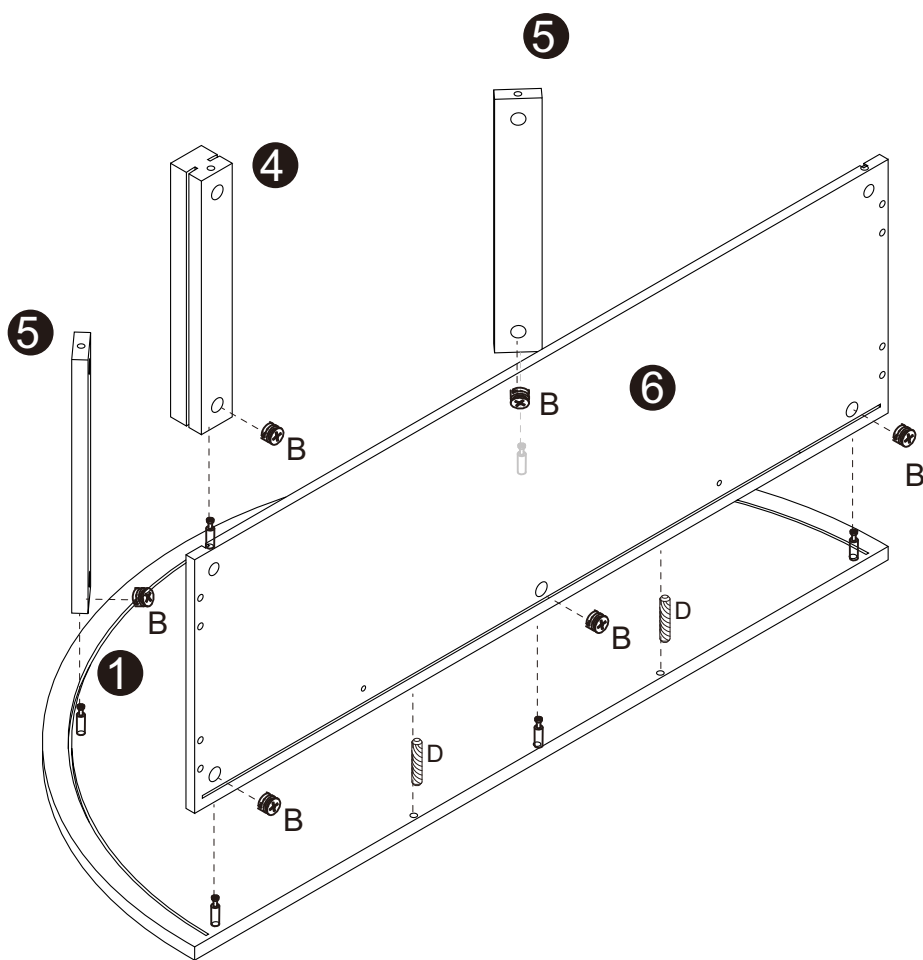
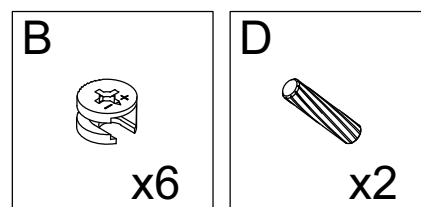
Noted :



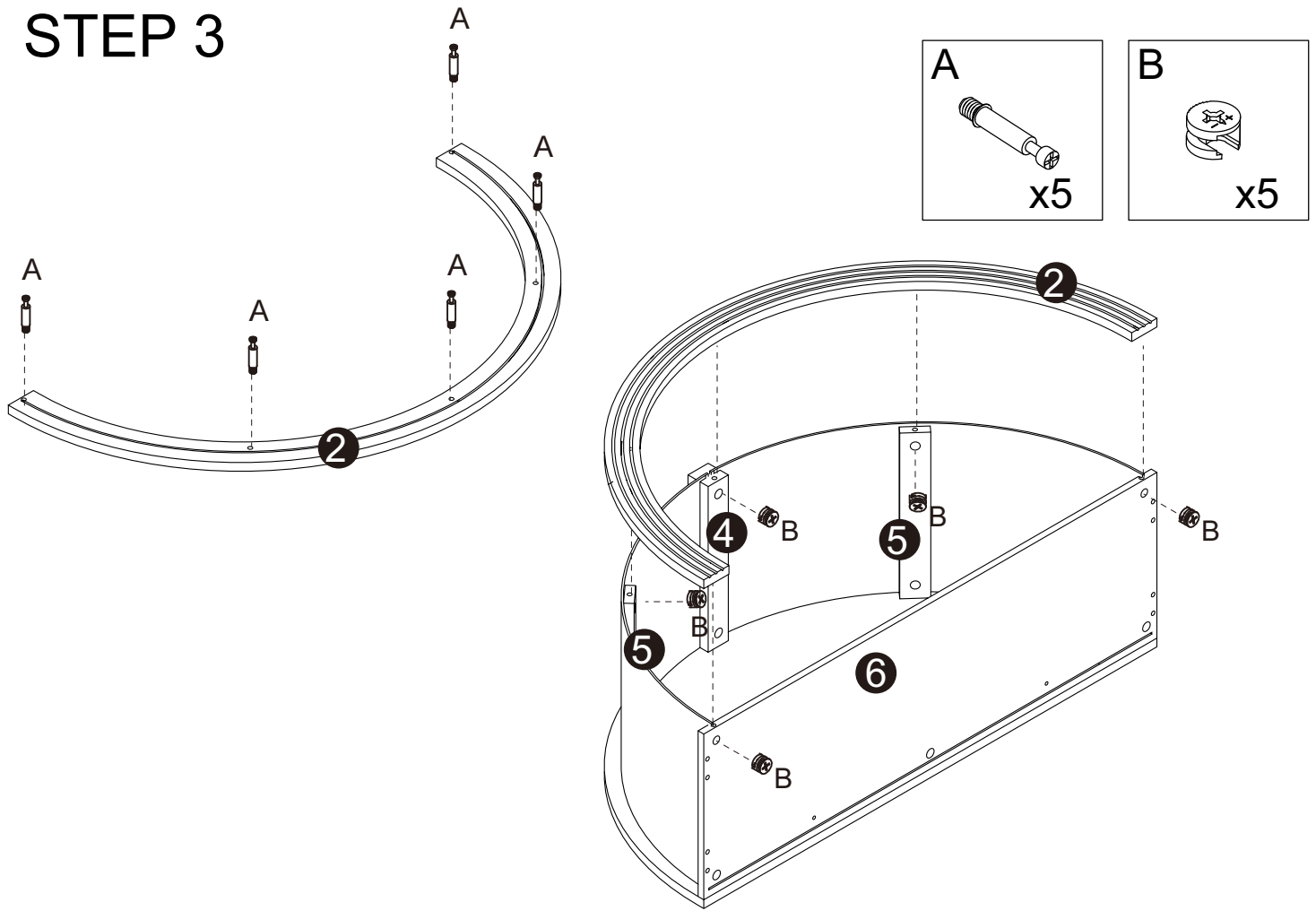
STEP 1



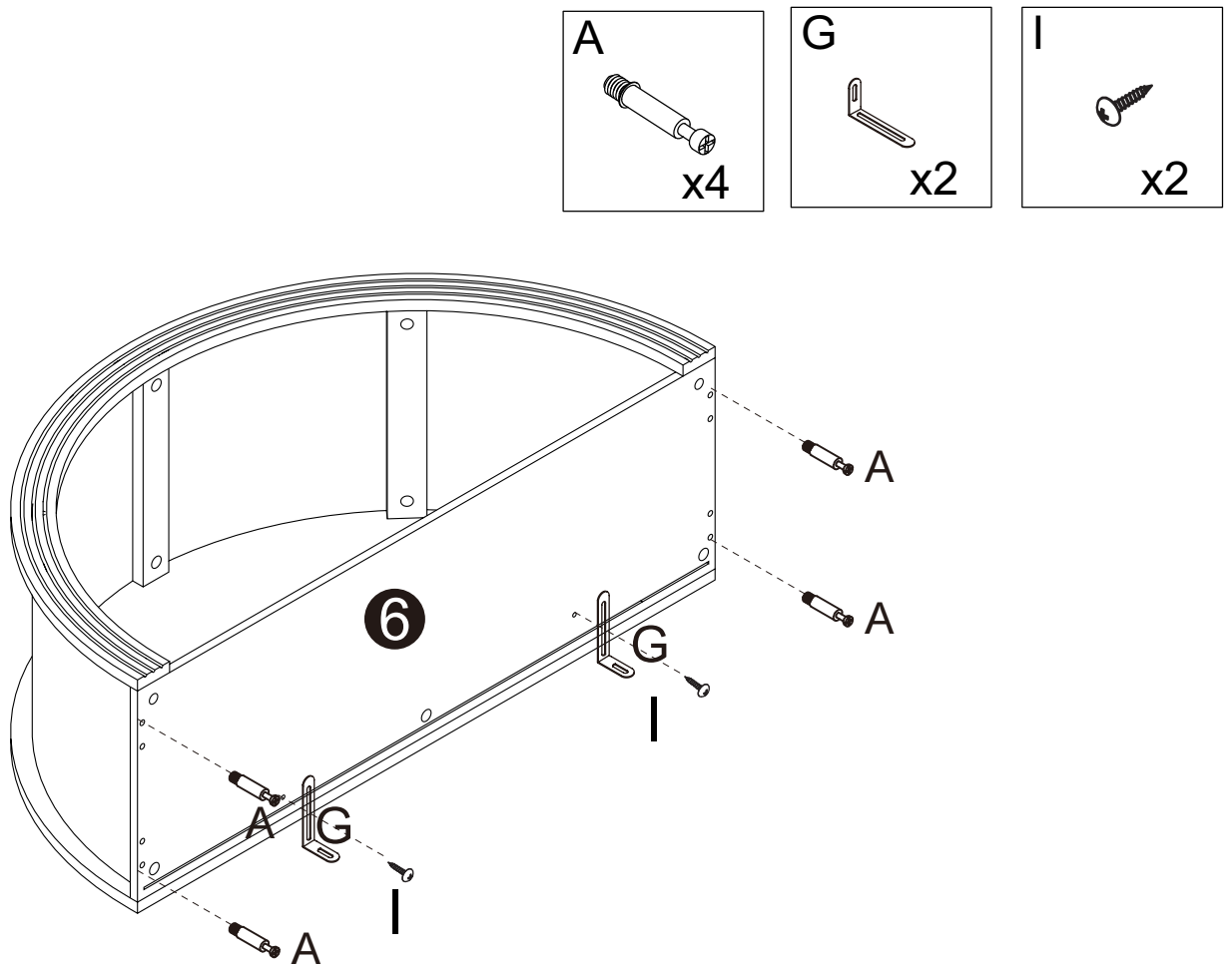
STEP 2



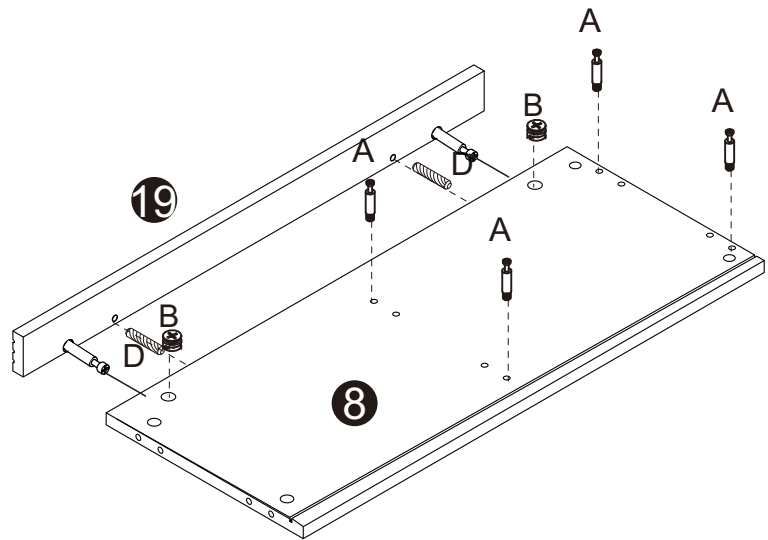
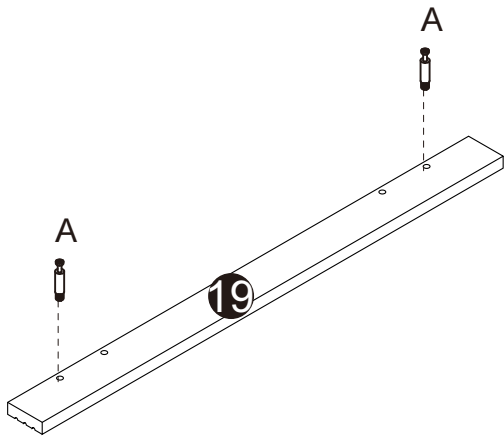
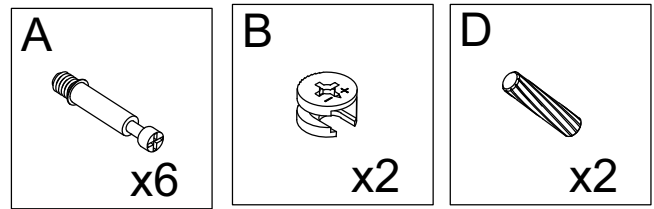
STEP 3



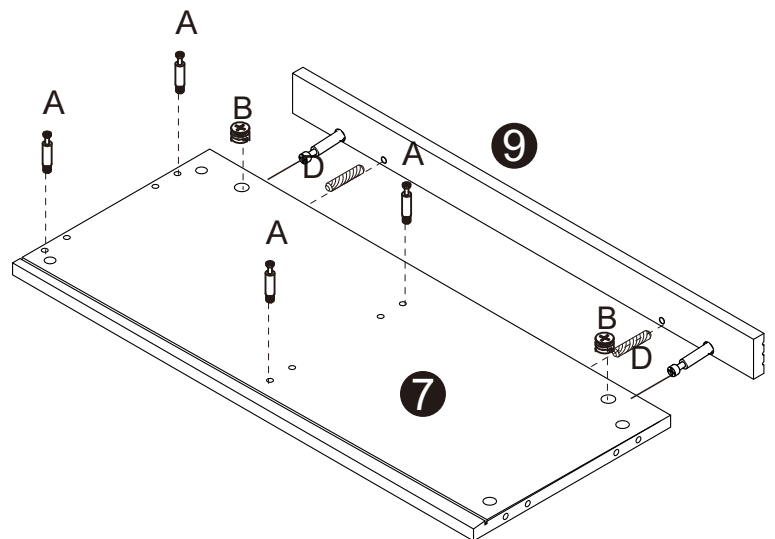
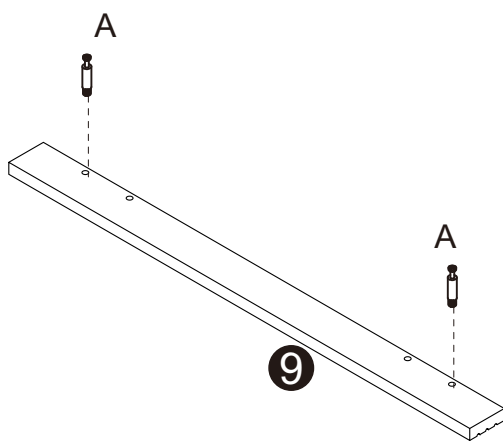
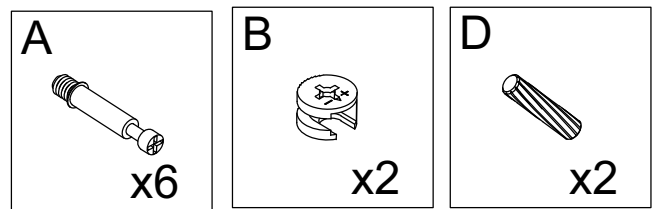
STEP 4



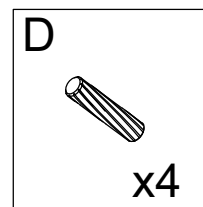
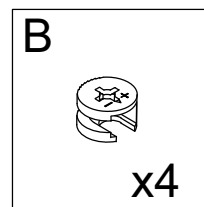
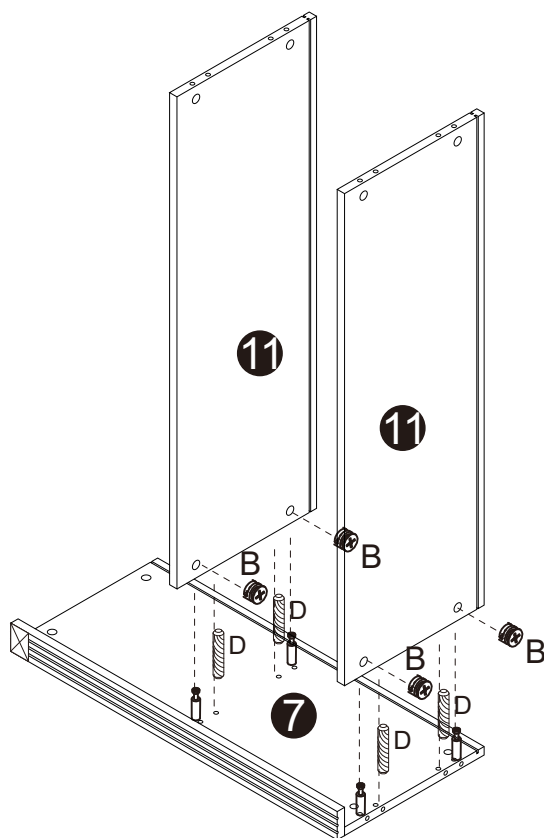
STEP 5



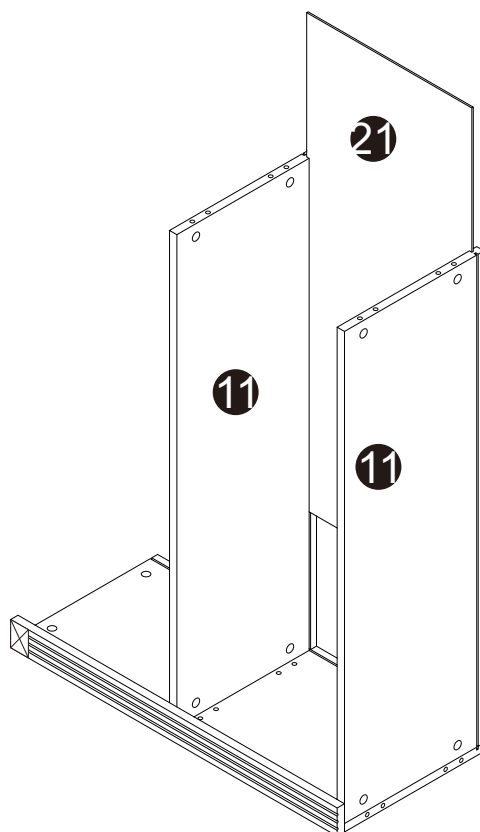
STEP 6



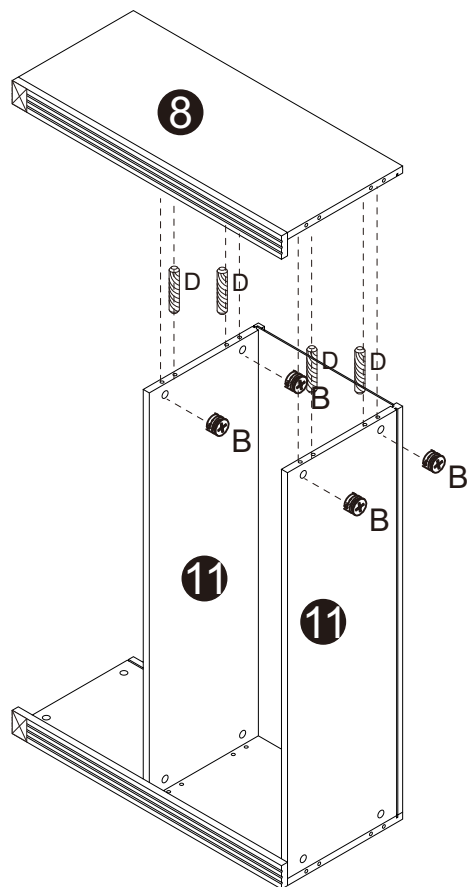
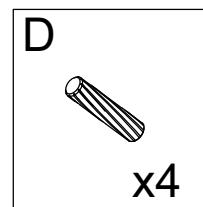
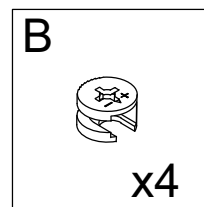
STEP 7



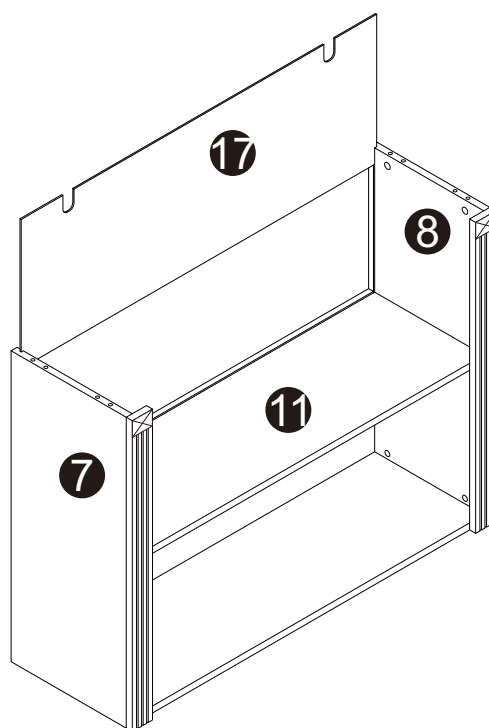
STEP 8



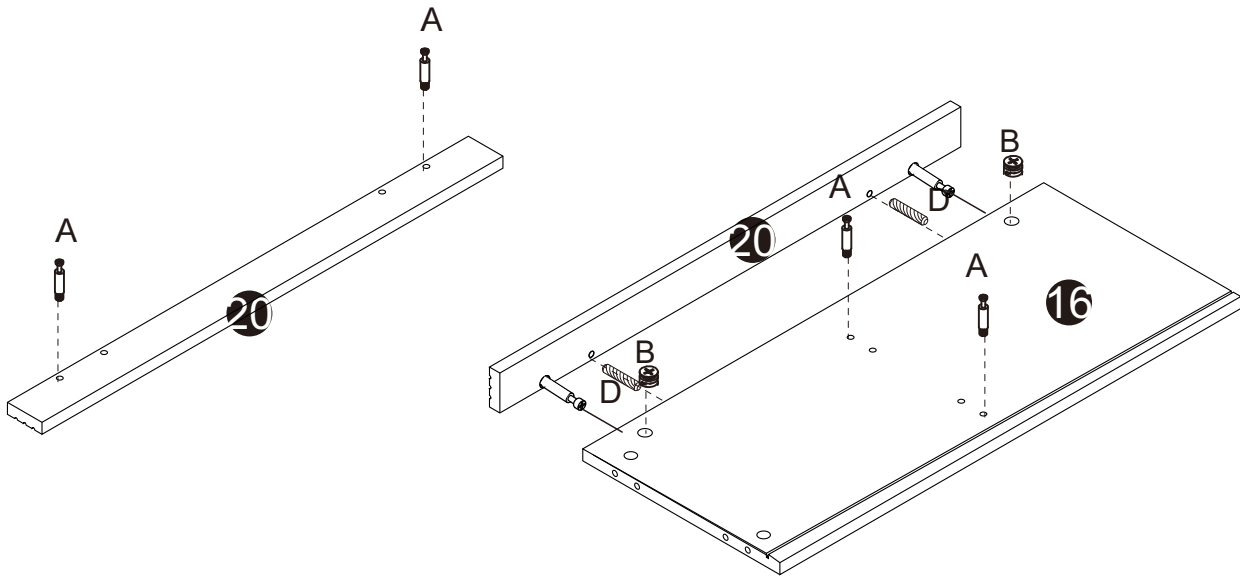
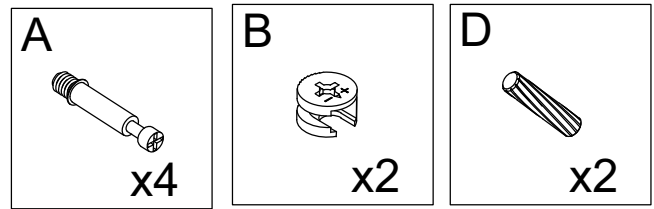
STEP 9



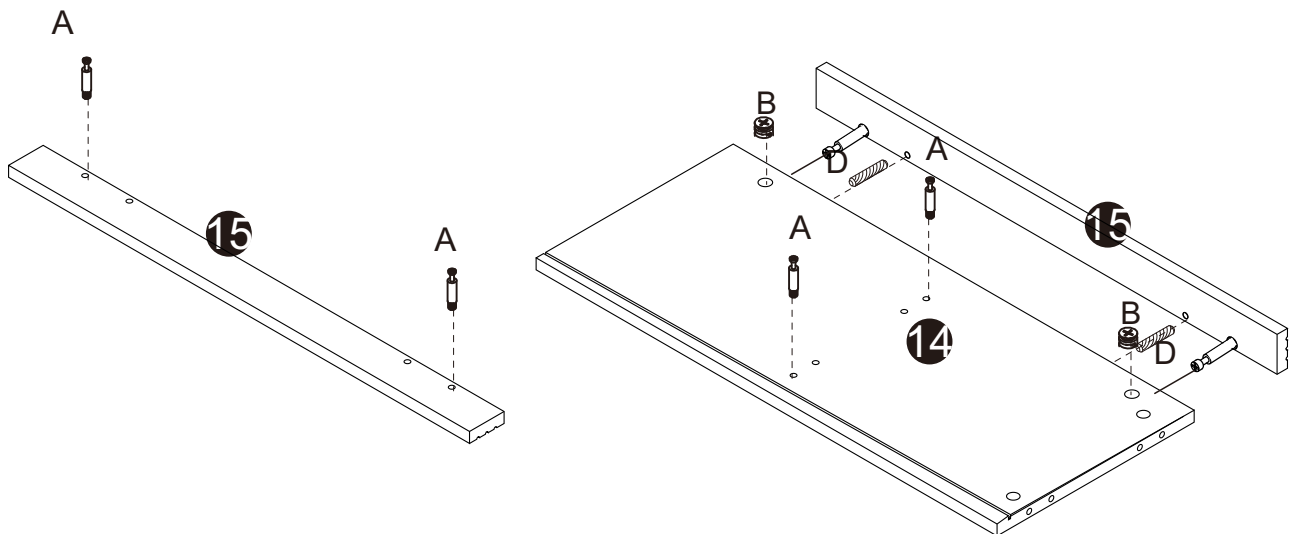
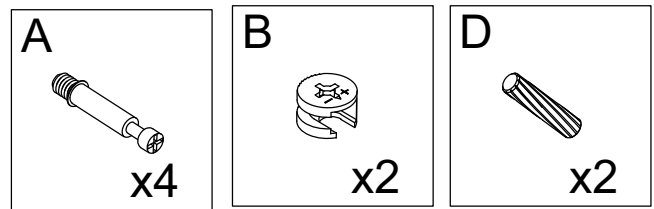
STEP 10



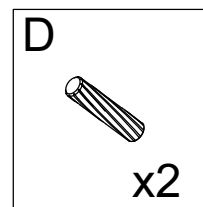
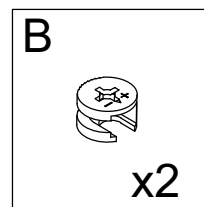
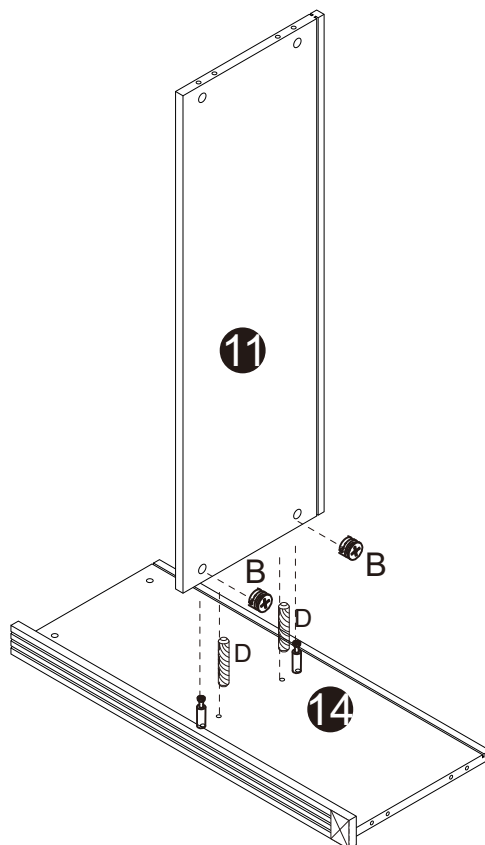
STEP 11



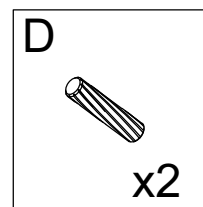
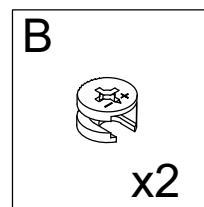
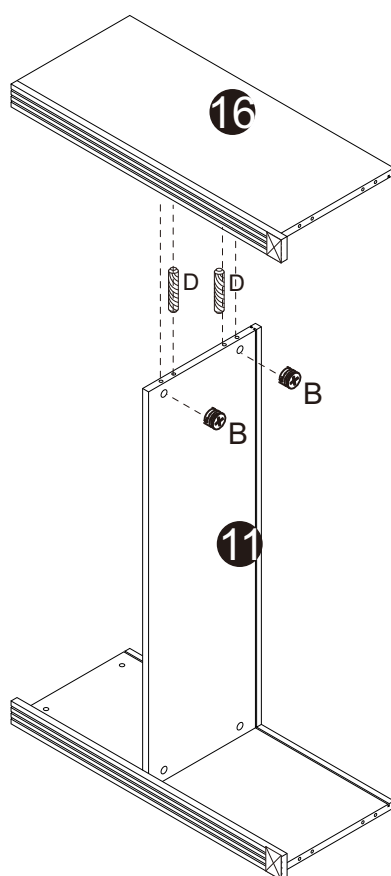
STEP 12



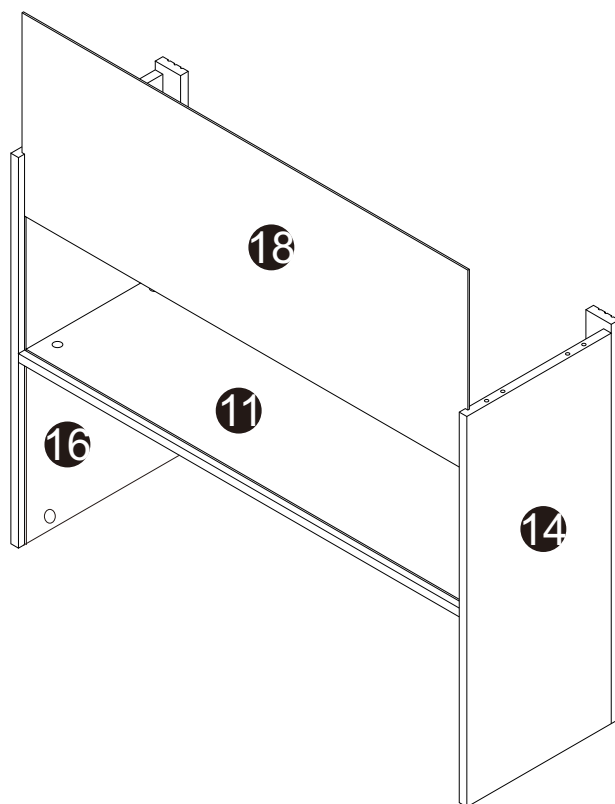
STEP 13



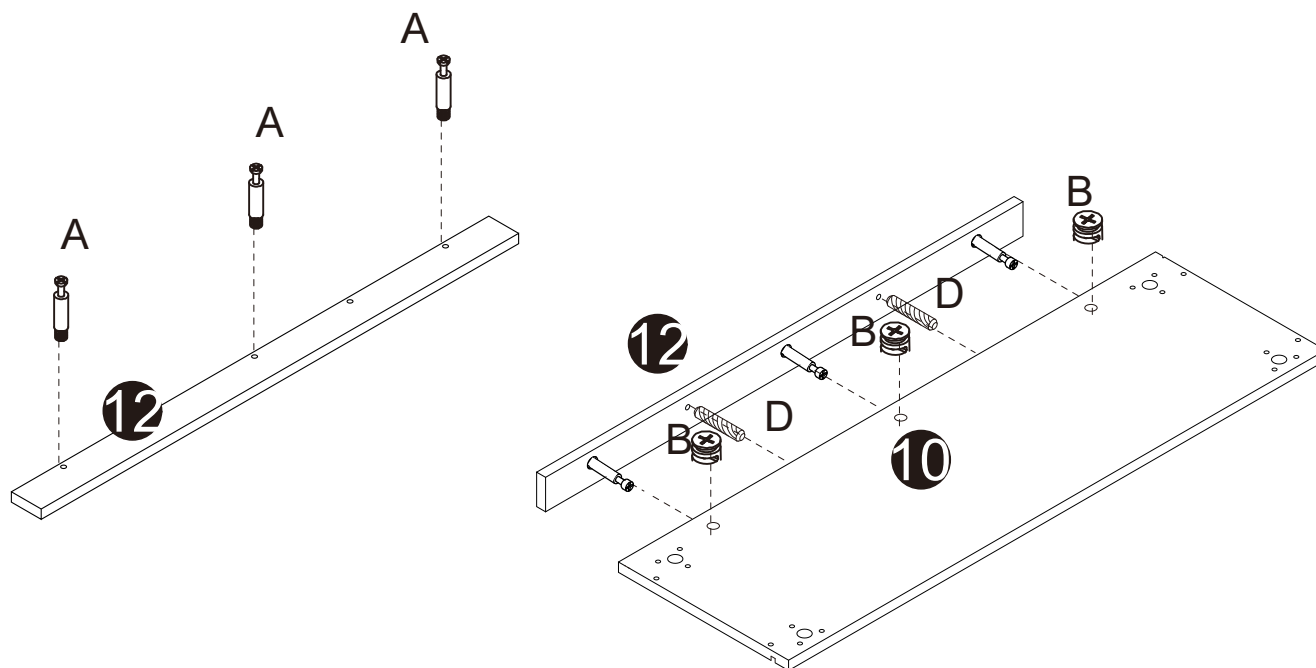
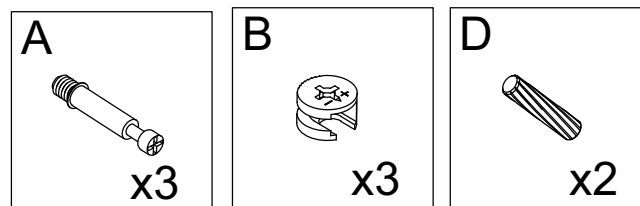
STEP 14



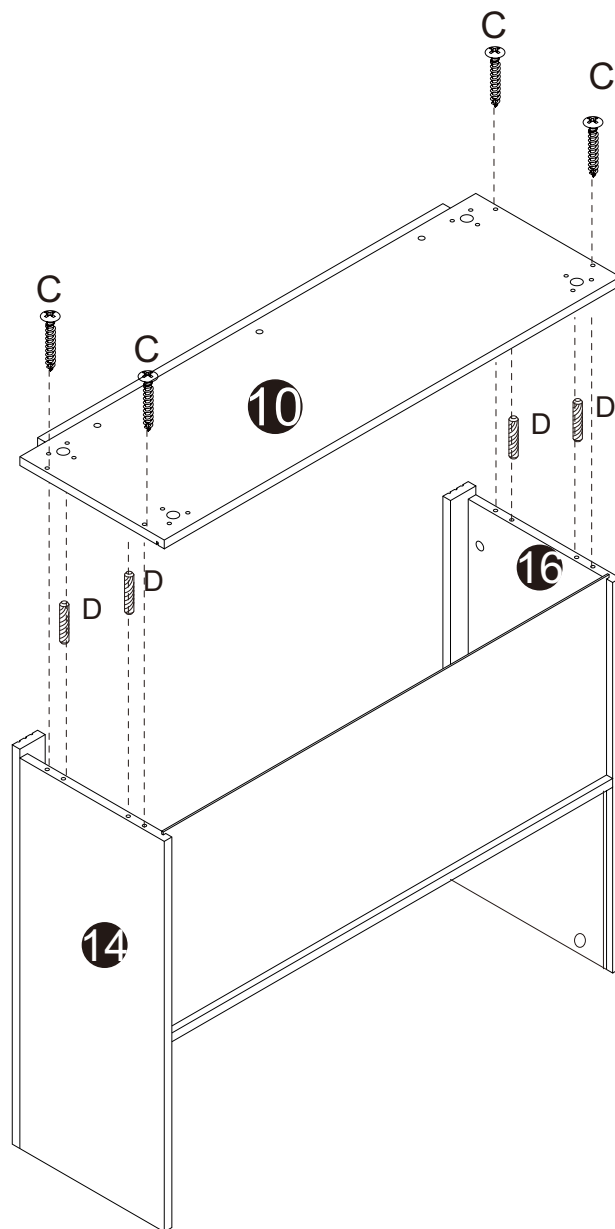
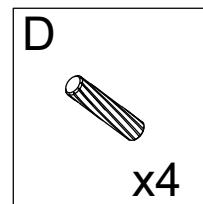
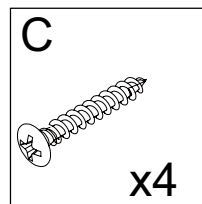
STEP 15



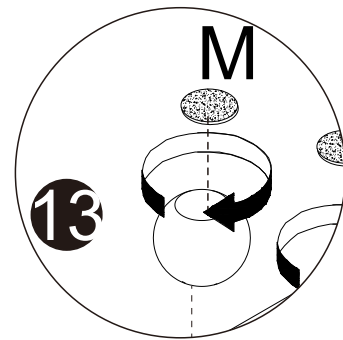
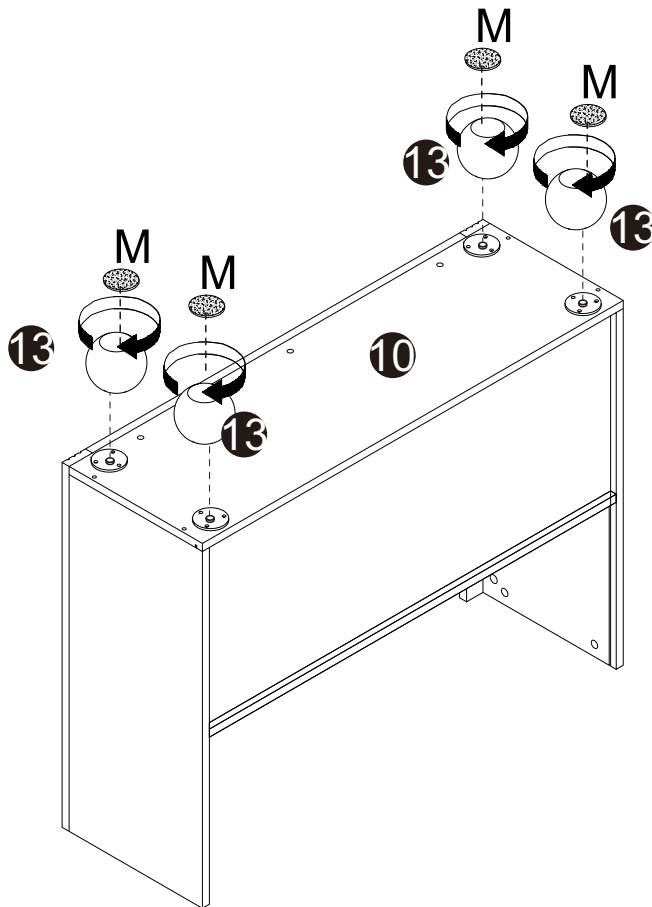
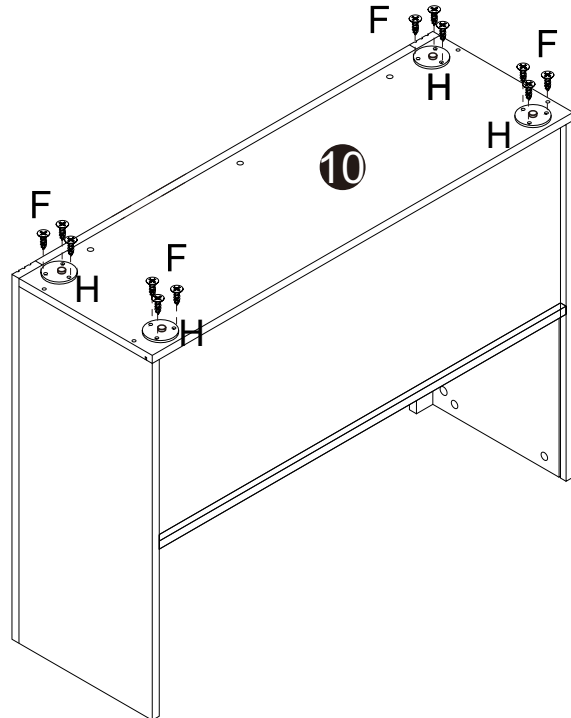
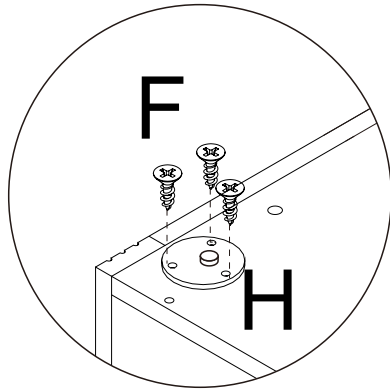
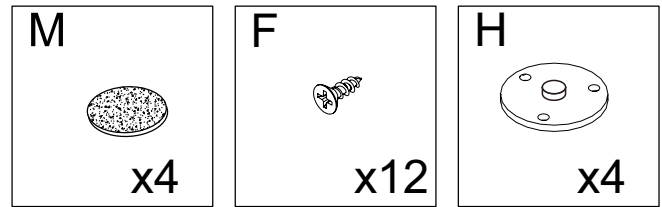
STEP 16



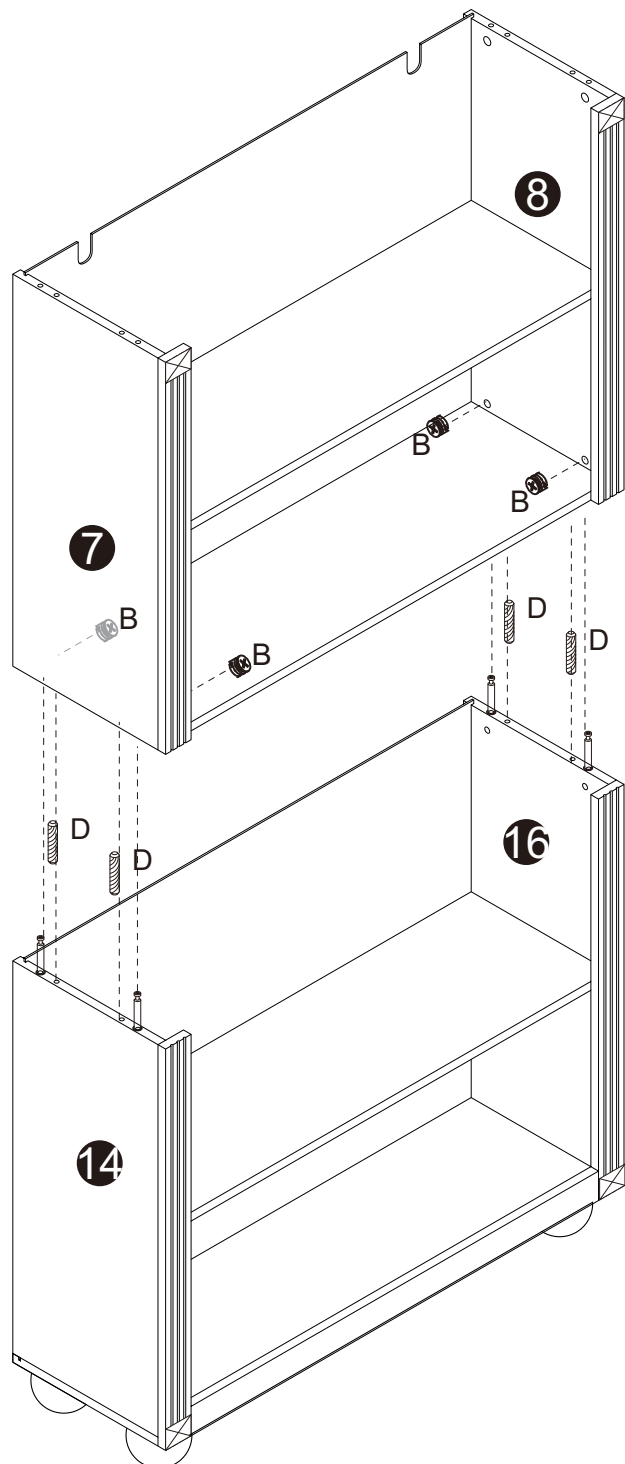
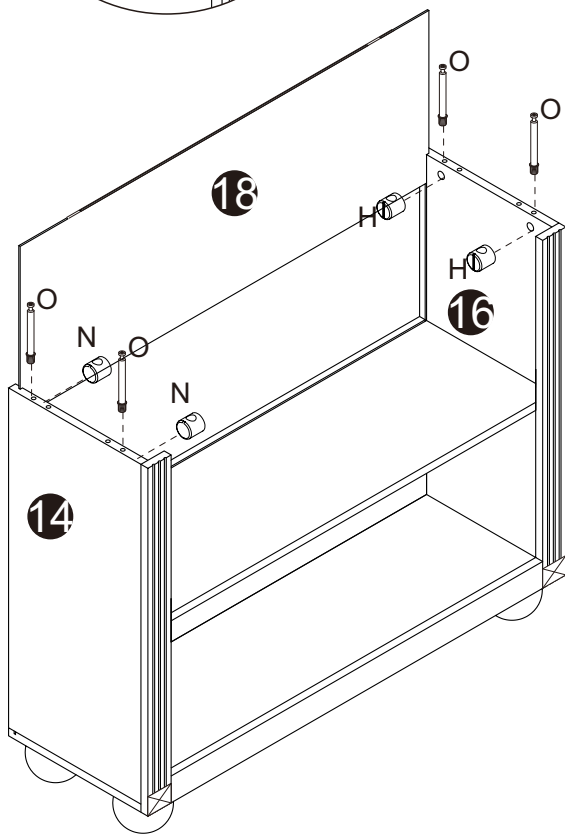
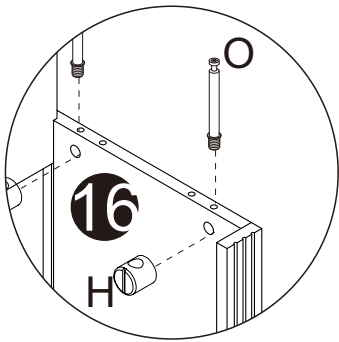
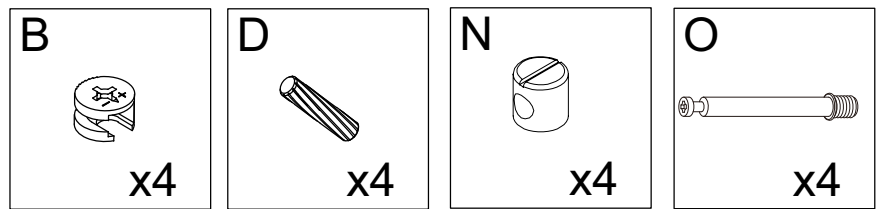
STEP 17



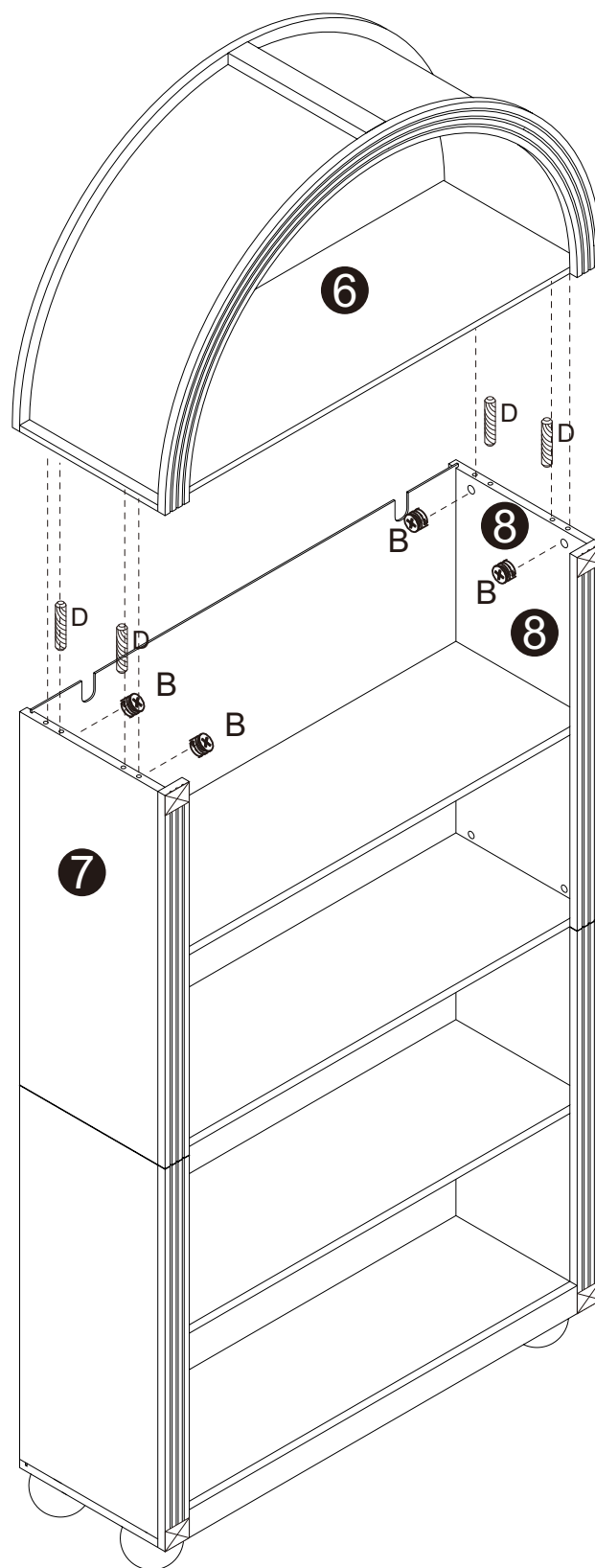
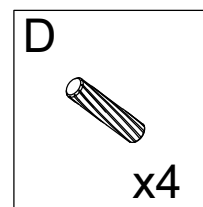
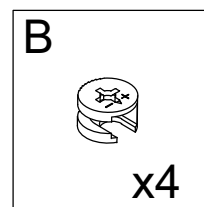
STEP 18



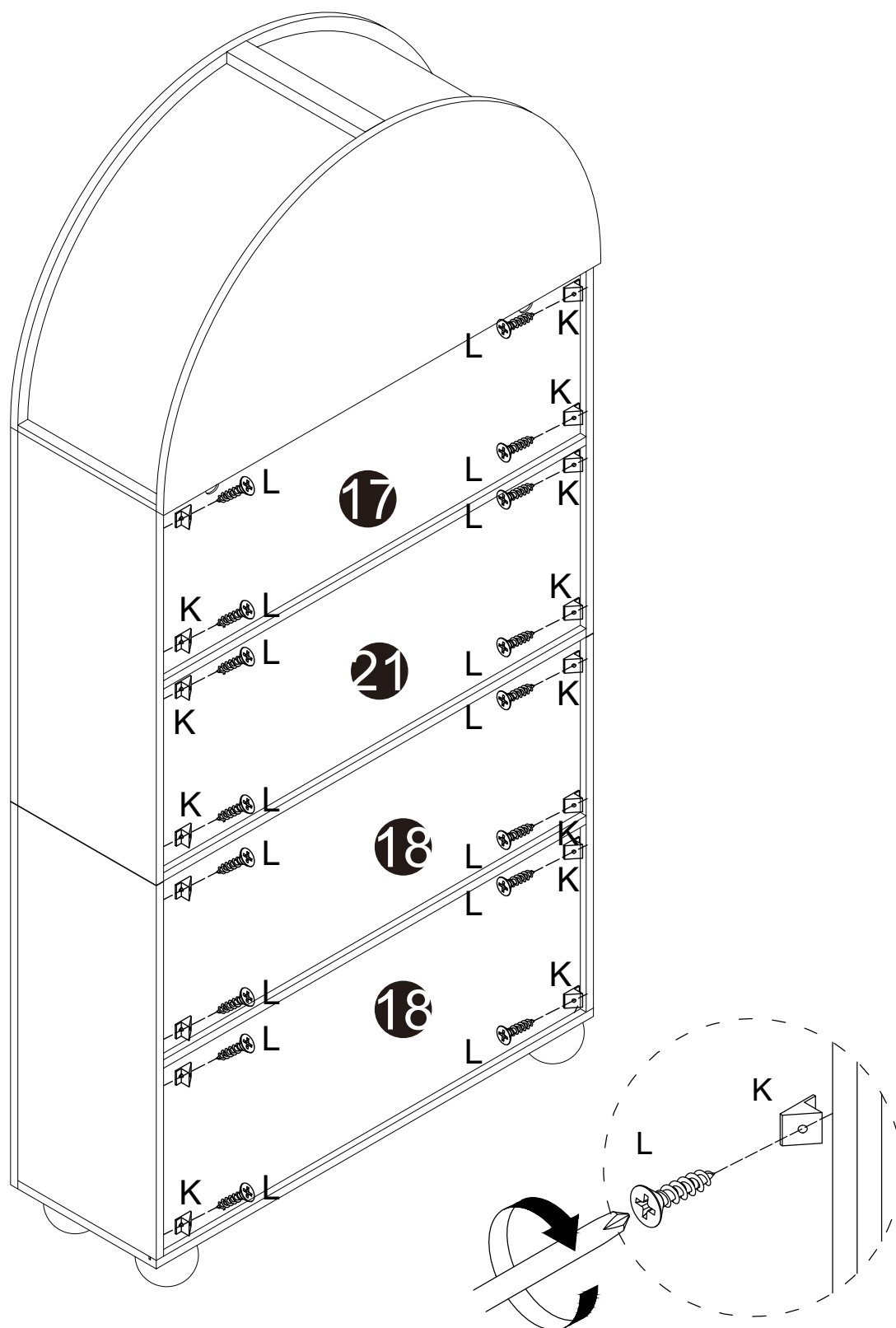
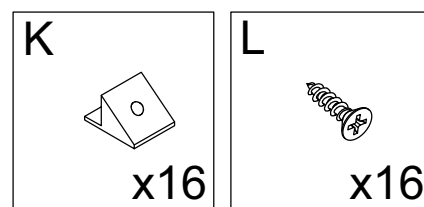
STEP 19



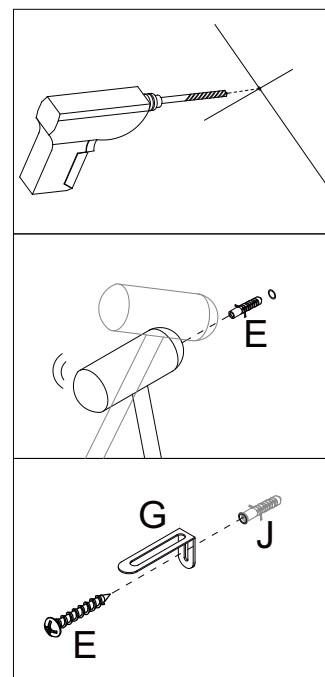
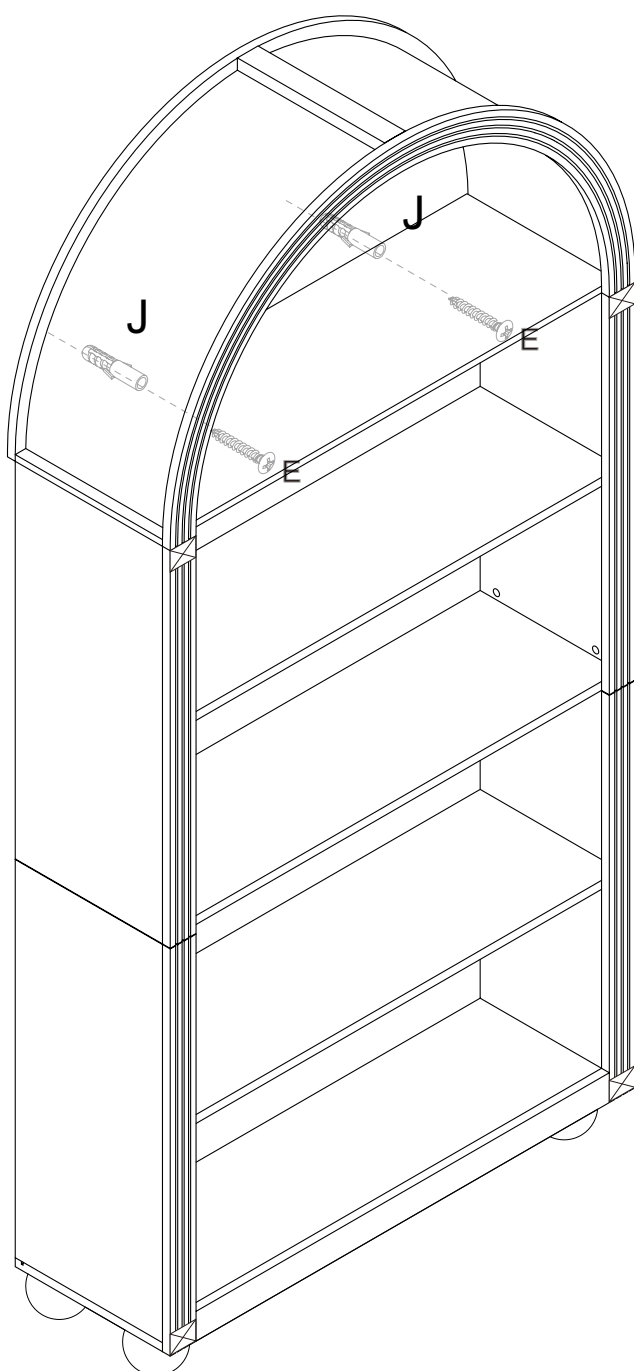
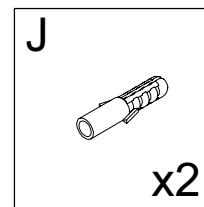
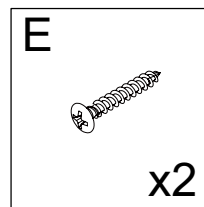
STEP 20



STEP 21



STEP 22



Proper Use

- DO NOT use for commercial purposes
- DO NOT use as a step stool or stand on table
- DO NOT put hot serving liquid directly on the table top
- DO NOT leave spilled liquid on the table top
- DO NOT use table if damaged
- DO NOT exceed weight limit
- DO NOT make temporary repairs
- DO NOT use outdoor

Dear Customer:

Thank you for purchasing our product,we wish you satisfy our service,if you have any further questions or any quality issues,please show the belows number and don't hesitate to contact our Customer Service People