

ASSEMBLY INSTRUCTION

Thank you for purchasing this quality product. Be sure to check all packing material carefully for small parts which may have come loose inside the carton during shipment. Separate, identify and count all parts and hardware. Compare with the parts list to be sure all parts are present.

IMPORTANT : PLEASE READ INSTRUCTION BEFORE STARTING THE ASSEMBLY.

"DO NOT TIGHTEN SCREWS UNTIL COMPLETELY ASSEMBLED"

"DO NOT OVERTIGHT ANY HARDWARE"

WARNING : SMALL PARTS AND HARDWARE NOT FOR CHILDREN UNDER 3 YEARS. ADULT ASSEMBLY REQUIRED.

TABLE OF CONTENTS

HARDWARES LIST	PAGE 2
PARTS LIST	PAGE 3
PARTS' LOCATION	PAGE 4
ASSEMBLY STEPS	PAGE 5
ASSEMBLY COMPLETED	PAGE 5

ASSEMBLY TOOLS REQUIRED

1. Screwdriver (not provide)



2. Hammer (not provide)

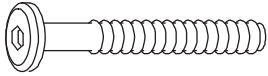





Skip the power trip this time.



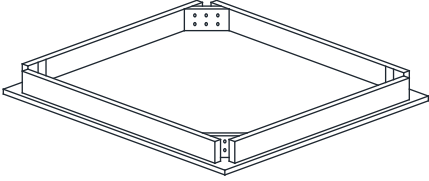
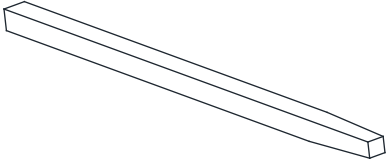
ASSEMBLY INSTRUCTION

HARDWARES LIST

ITEM	DESCRIPTION	DRAWING	QTY
A	JCBC SCREW M8 x 60MM		8 PCS
B	SPRING WASHER M8 x 13MM		8 PCS
C	FLAT WASHER M8 x 22MM		8 PCS
D	M5 ALLEN KEY (65MM)		1 PC

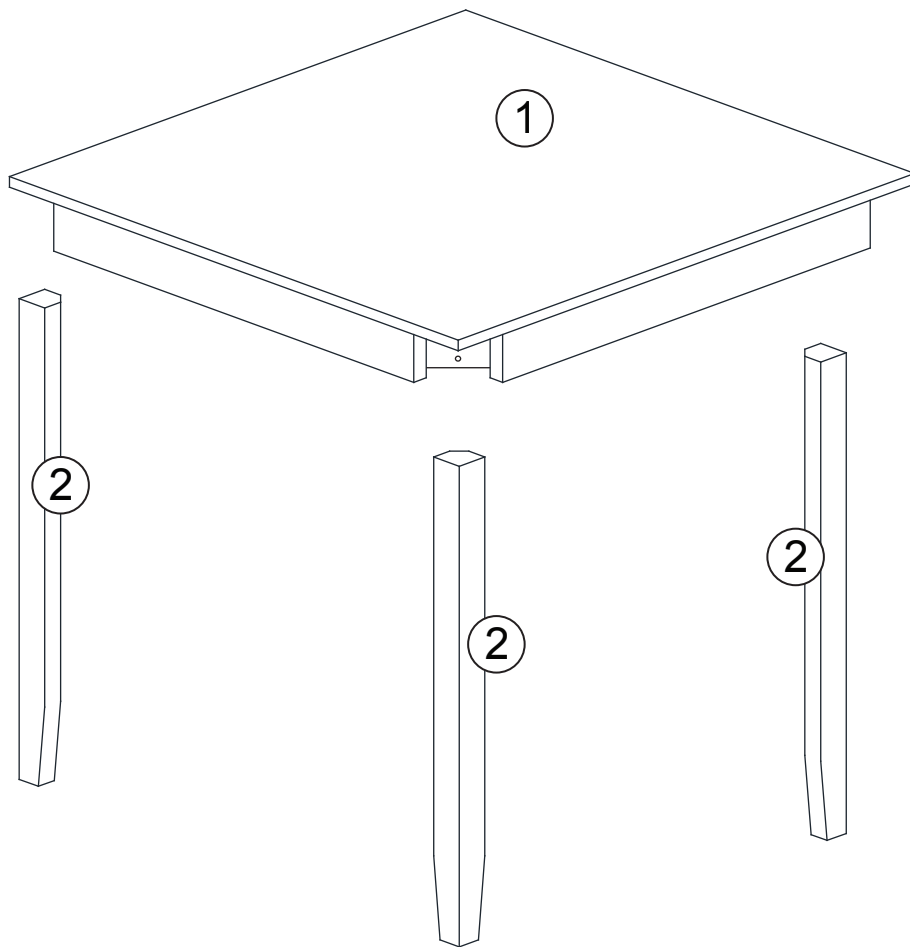
ASSEMBLY INSTRUCTION

PARTS LIST

ITEM	DESCRIPTION	DRAWING	QTY
1	TABLE TOP		1 PC
2	TABLE LEG		4 PCS

ASSEMBLY INSTRUCTION

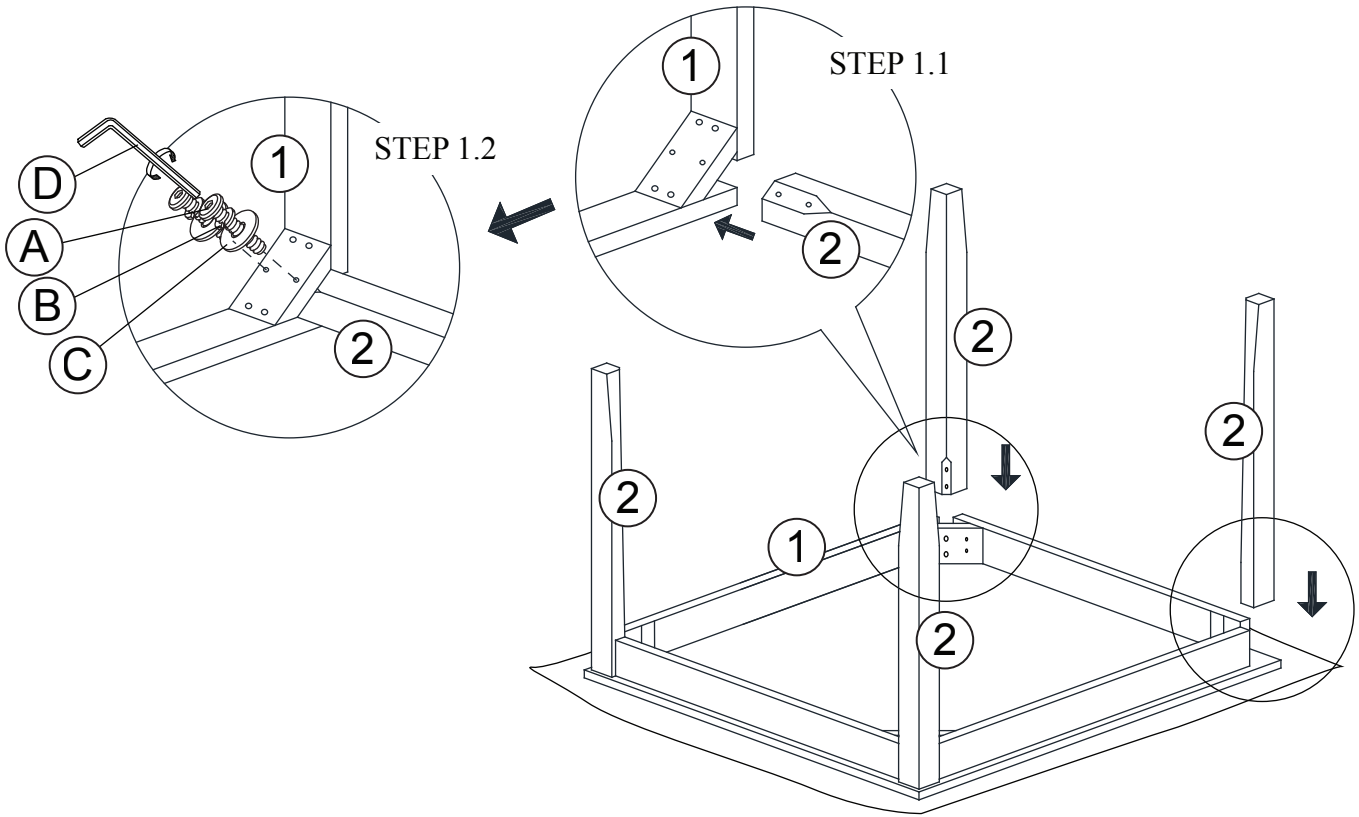
PARTS ' LOCATION



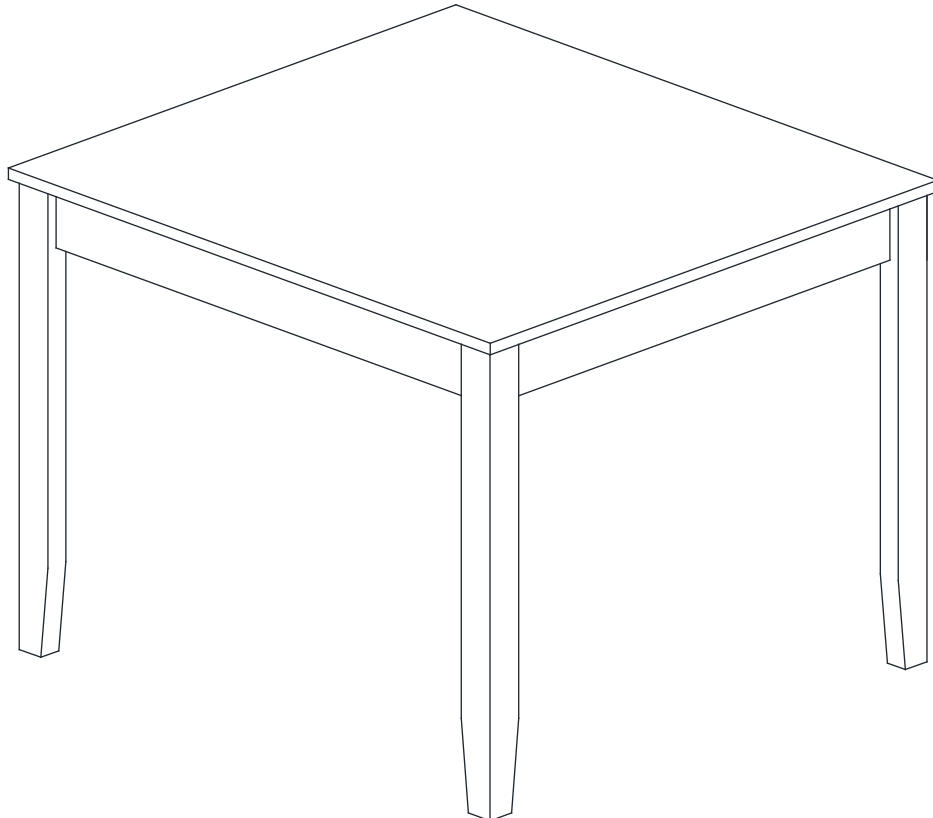
ASSEMBLY INSTRUCTION

STEP 1

Insert 8pcs (A) , (B) and (C) to combine (2) to the (1) as shown.



STEP 2



ASSEMBLY COMPLETED