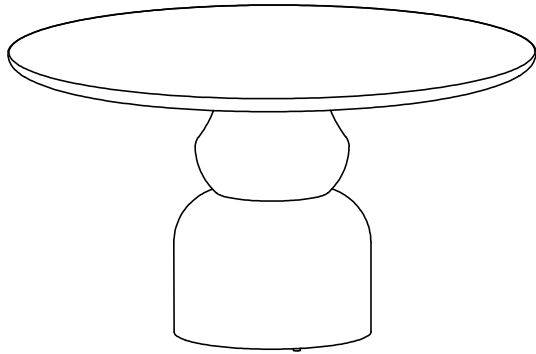
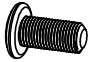




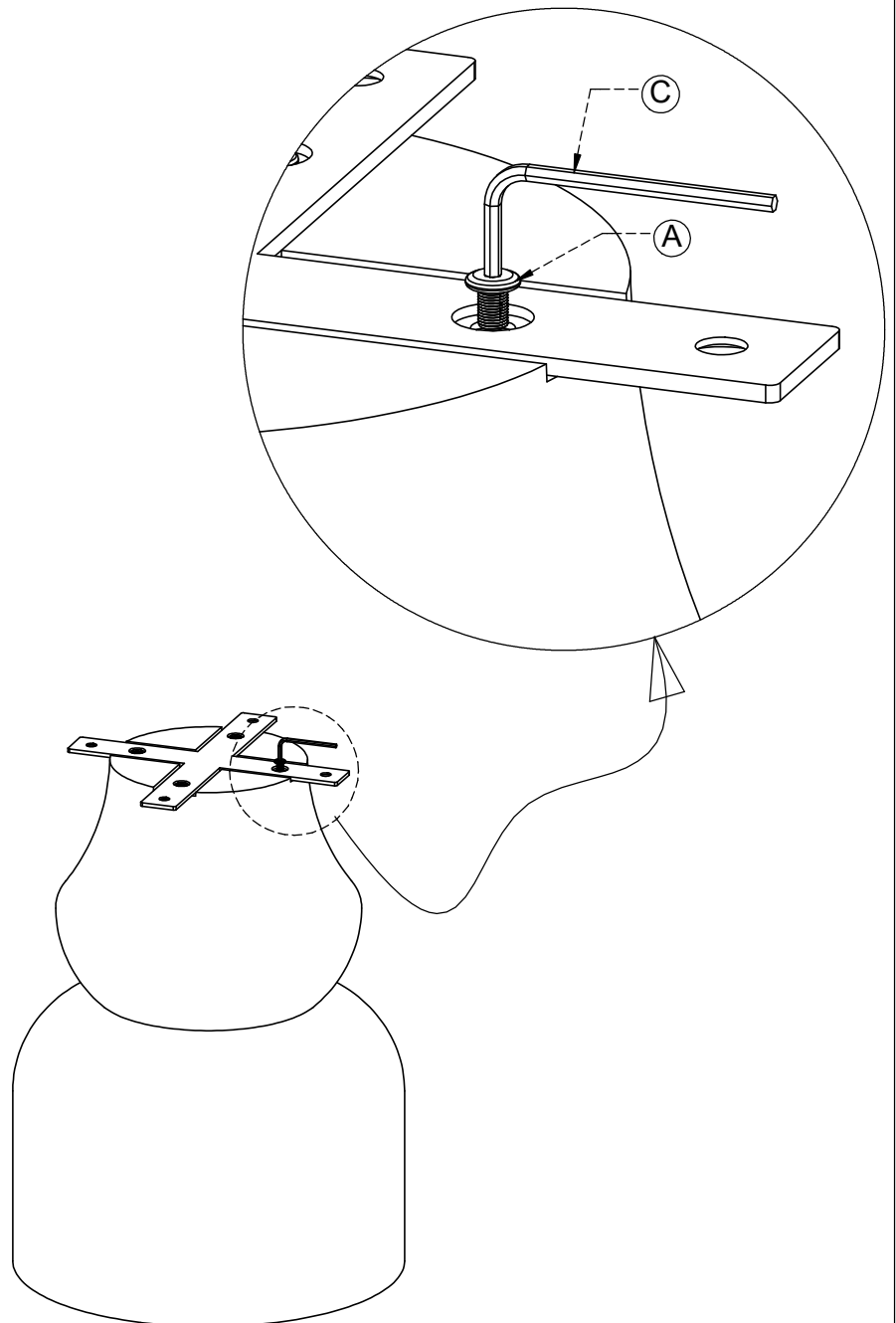
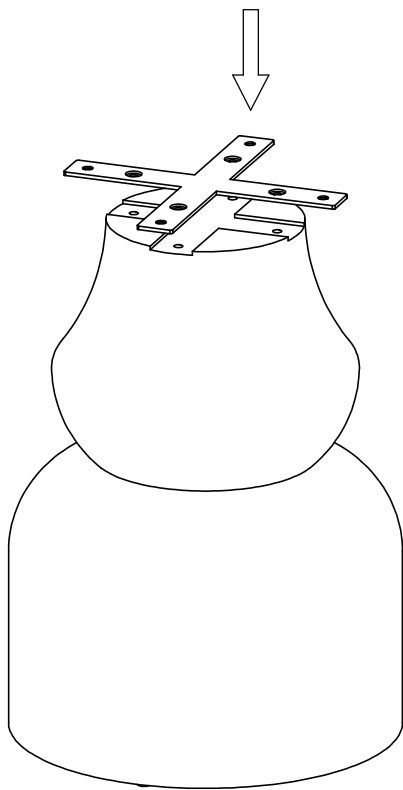
# ASSEMBLY INSTRUCTION FOR Model:Faber Outdoor Dining Table



Hardware List			
A		Hexagon Bolt M8x15	8 pcs
B		Flat Washer $\varnothing 23 \times 1$	4 pcs
C		Allen Key	1 pc

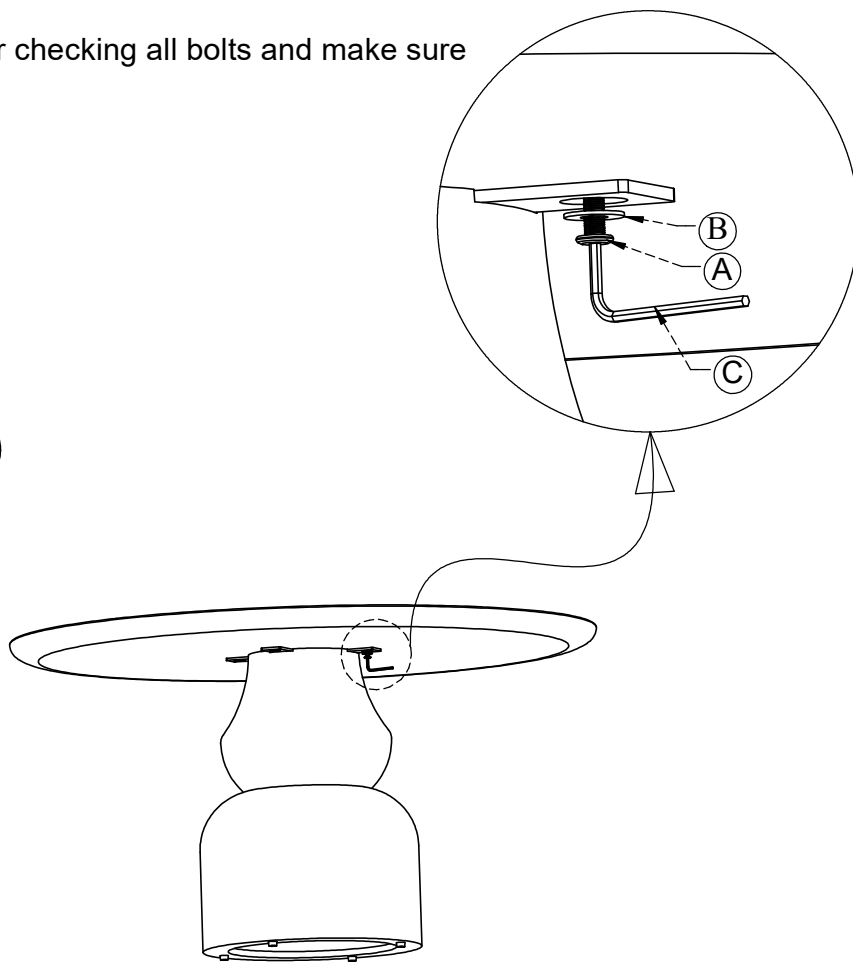
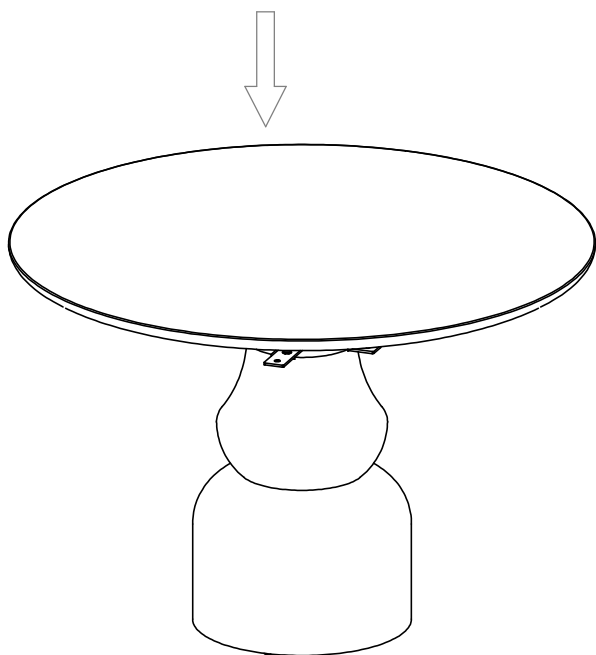
## Step 1

Put the base stand on the ground,  
after put top on the base



## Step 2

Put the top on the base and assemble, after checking all bolts and make sure they are even please tighten the bolt fully



## Completed Assembly

### Adjusting Floor Levelers

Your furniture has been expertly crafted and pre-adjusted by professionals. However, slight shifts can occur during transportation. If you notice that the doors are not perfectly aligned or the furniture wobbles, a quick adjustment can help ensure stability and a seamless look.

### Adjust The floor levelers

**Check for stability-** Place the furniture in its final position on a level surface. If it wobbles or doesn't sit evenly, the floor levelers need adjusting.

**Locate the levelers-** These are small adjustable feet found at the bottom corners of your furniture.

**Adjust as Needed-** Using your hand or a wrench, turn the levelers clockwise to raise or counterclockwise to lower the furniture. Make small adjustments and check stability after each turn.

If you need further adjustment, repeat the process in small increments.

