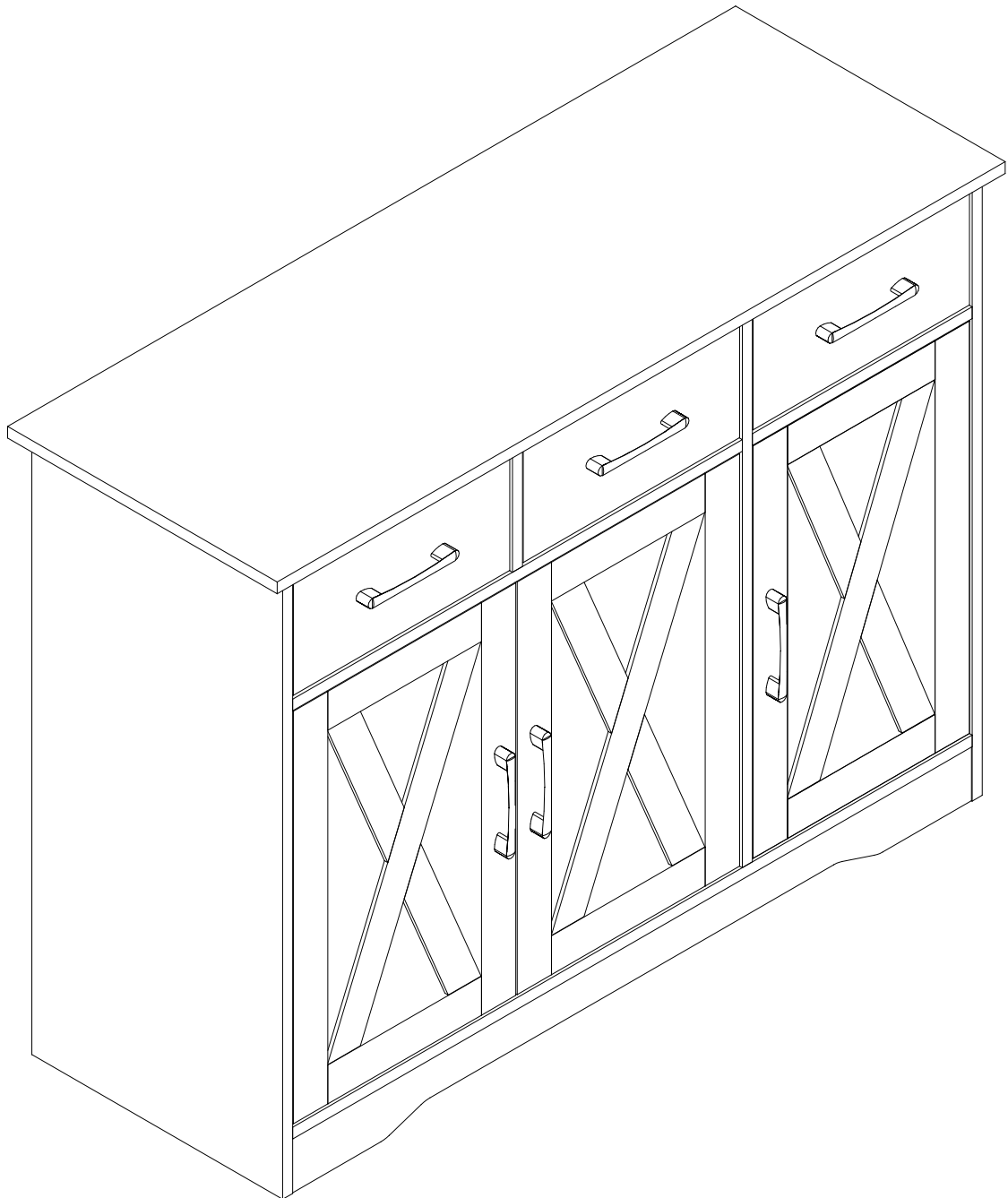
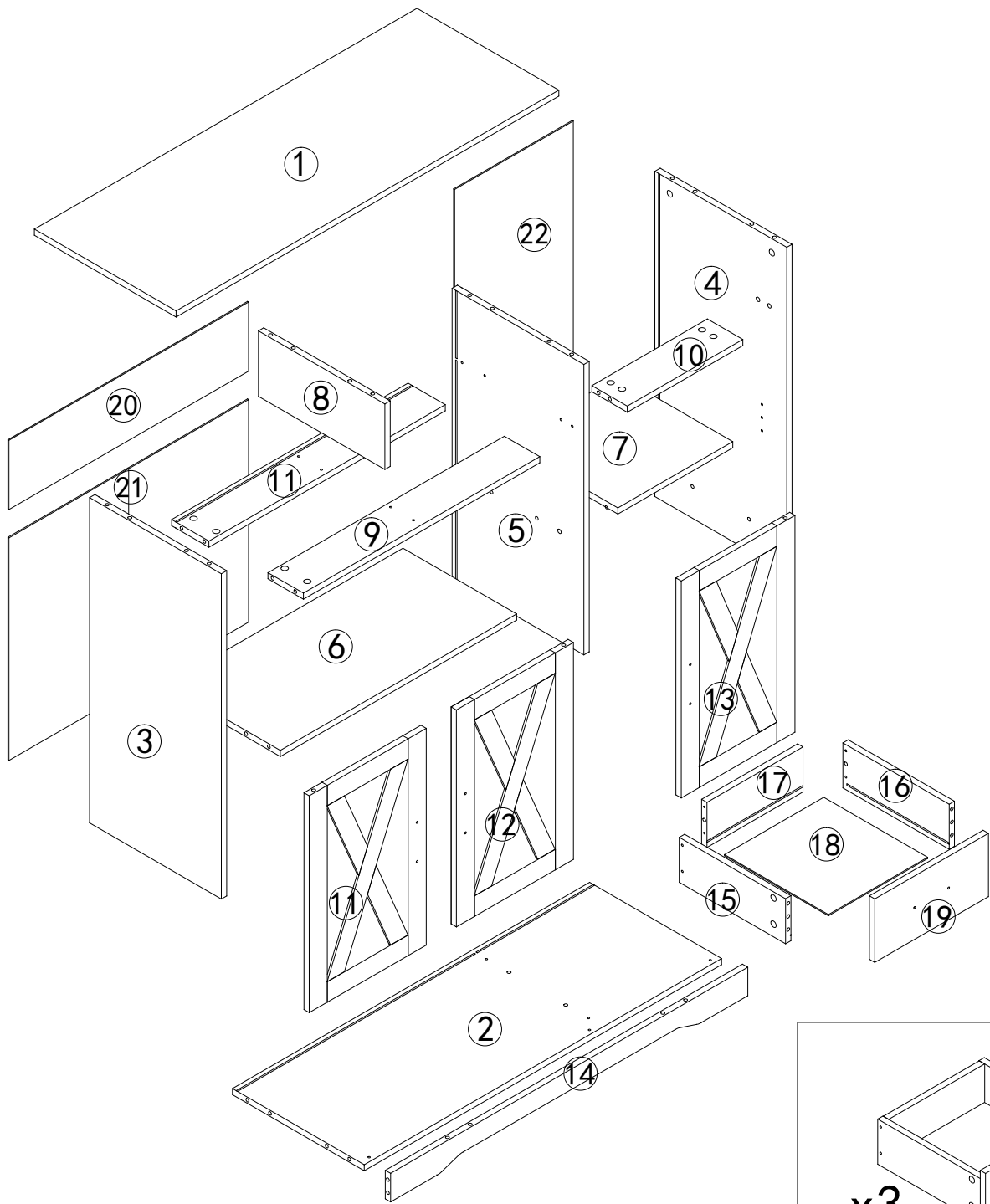


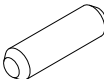


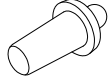
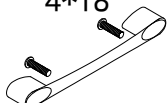
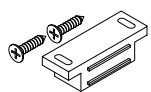
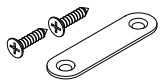




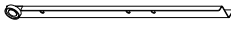
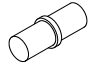



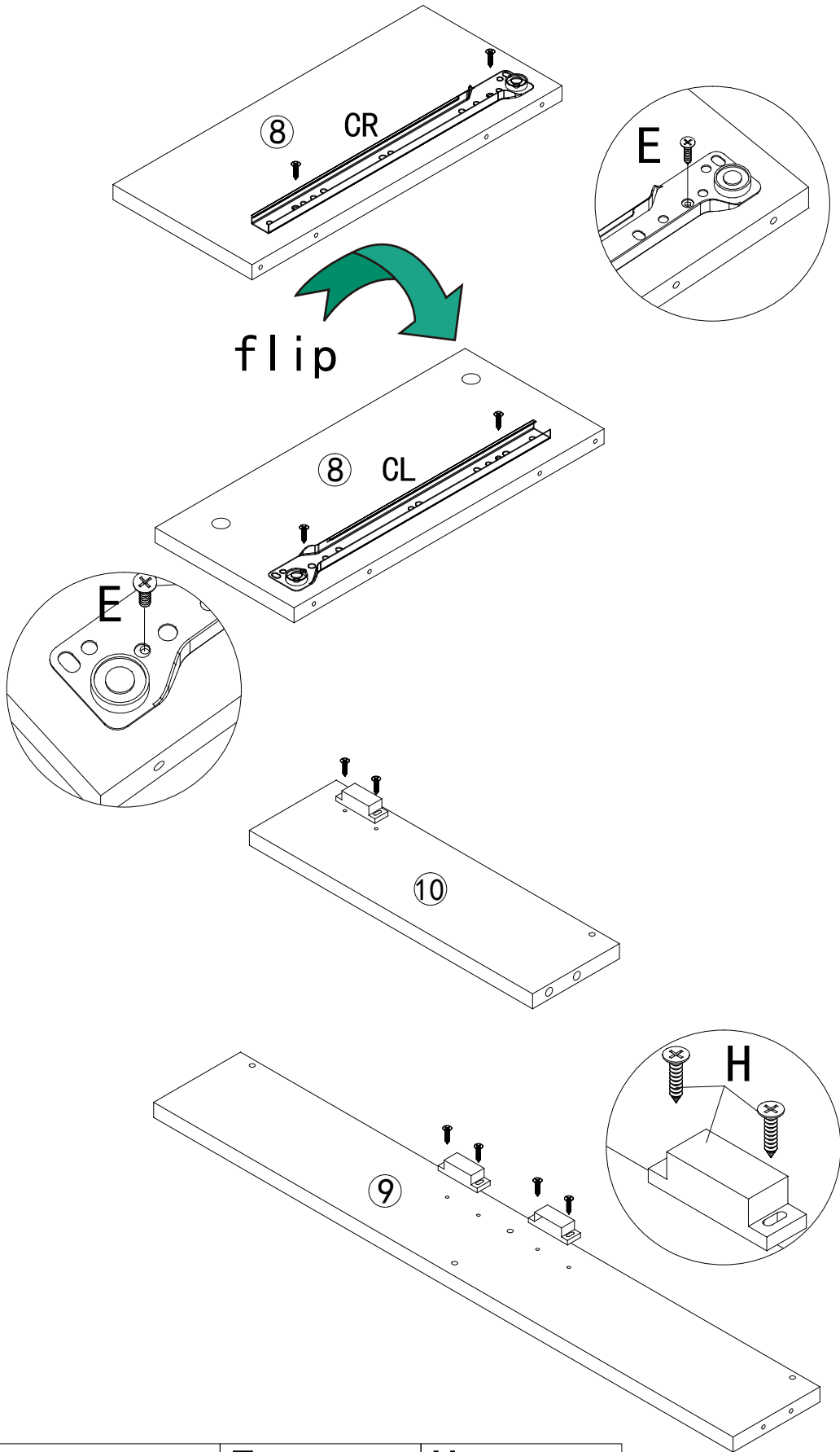
Installation & Assembly





A  42+2pcs	B  42+2pcs	C  8*30 32+2pcs	D  5*40 22+2pcs	E  3.5*14 40+2pcs	F  6pcs
G  4*18 6pcs	H  3pcs	I  3pcs	J  16+1pcs	K CR  CL  DR  DL  3pcs	
M  4pcs	N  $\phi 20$ 40pcs				

STEP 1



K



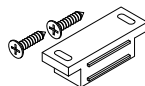
1pcs

E

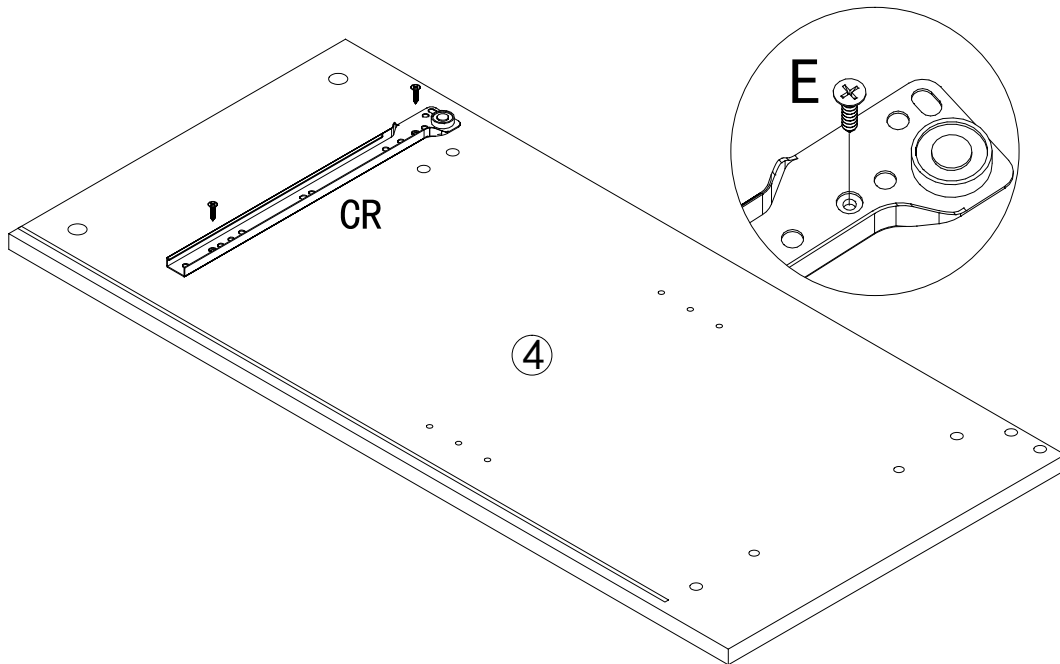
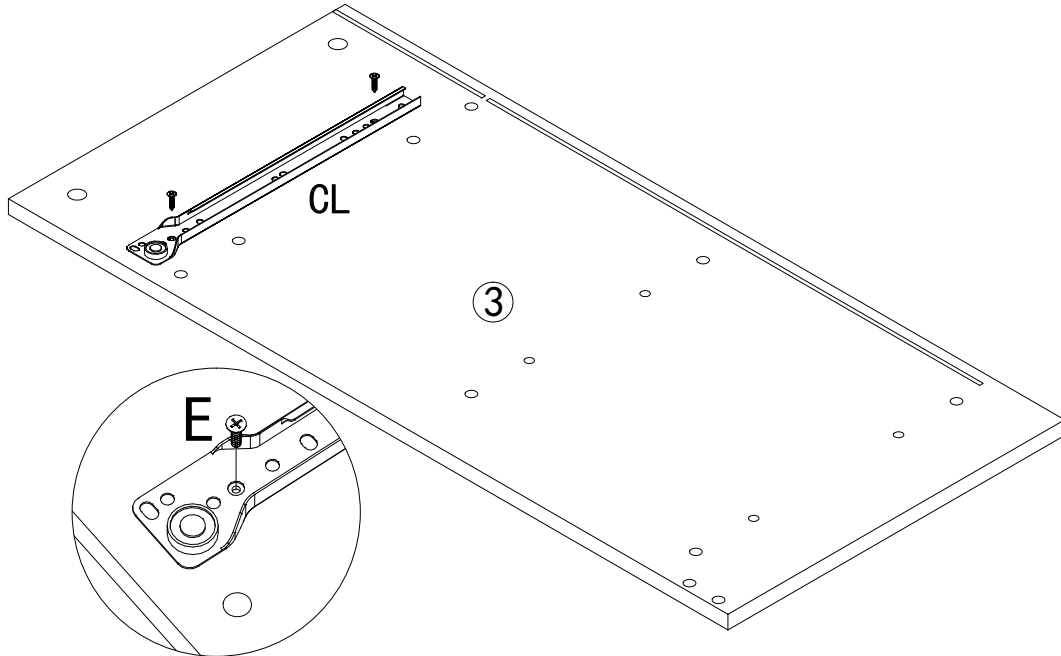
3.5*14



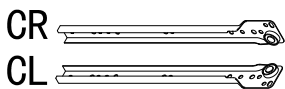
H



STEP 2



K



1pcs

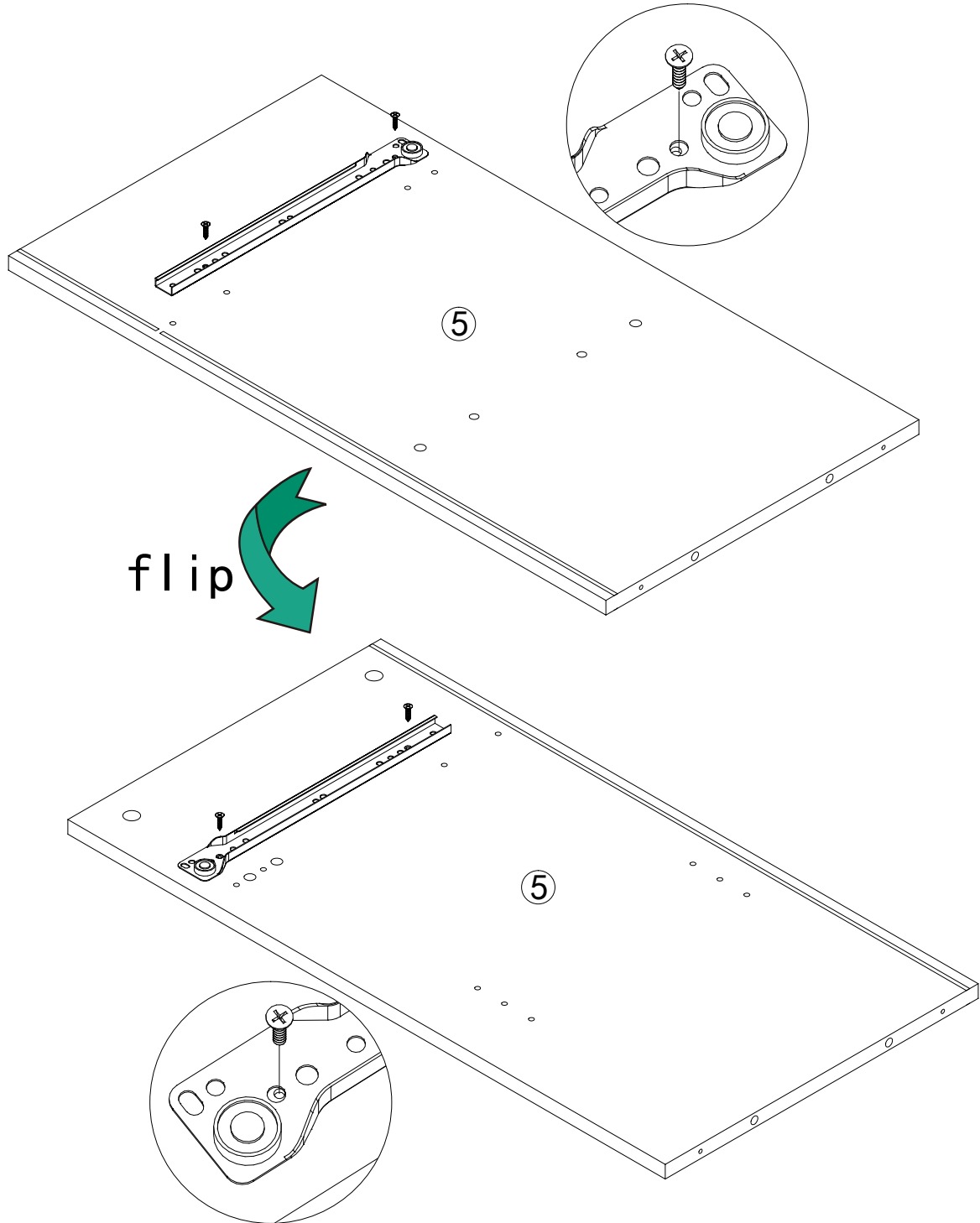
E

3.5*14



4pcs

STEP 3



K



1pcs

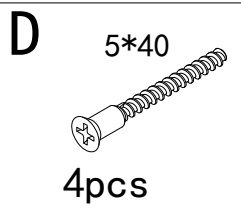
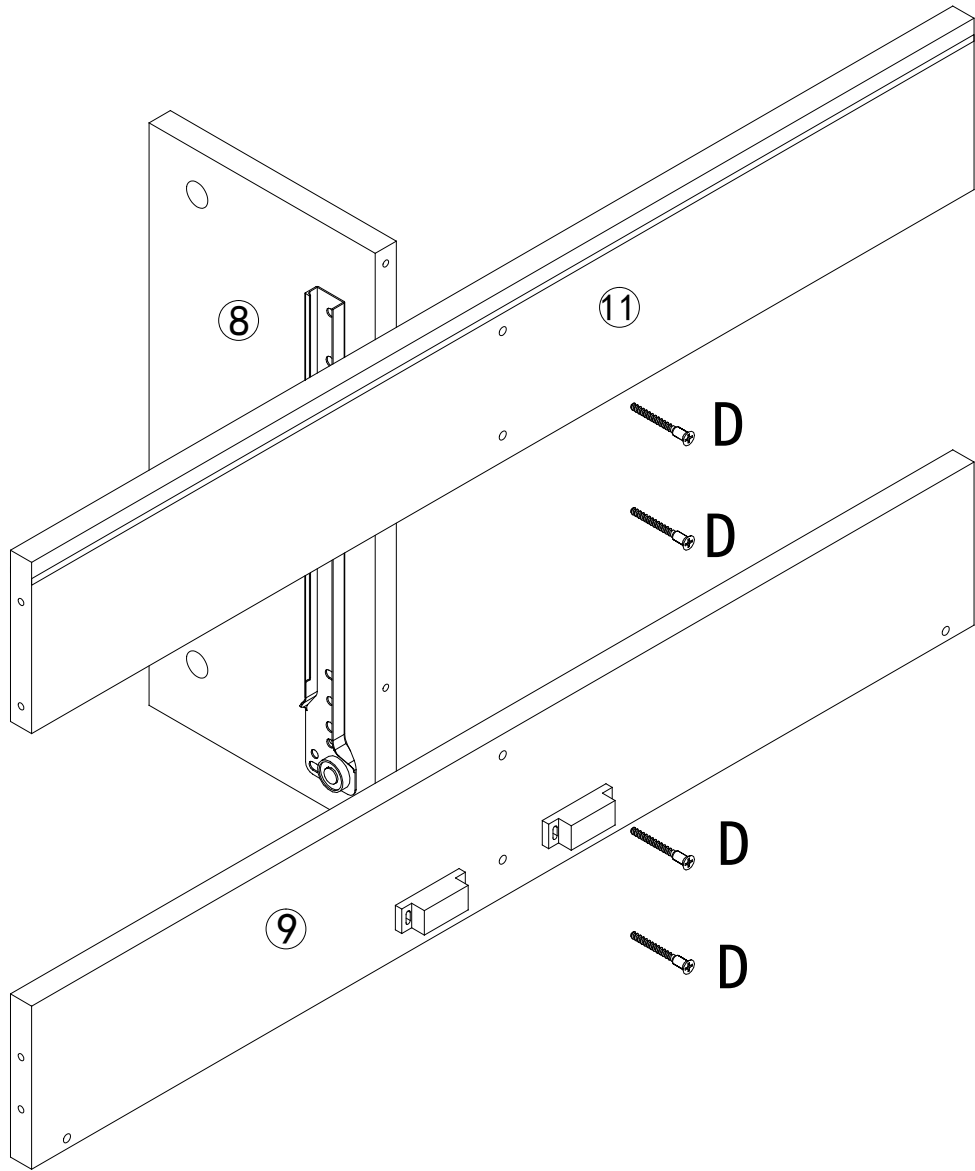
E

3.5*14

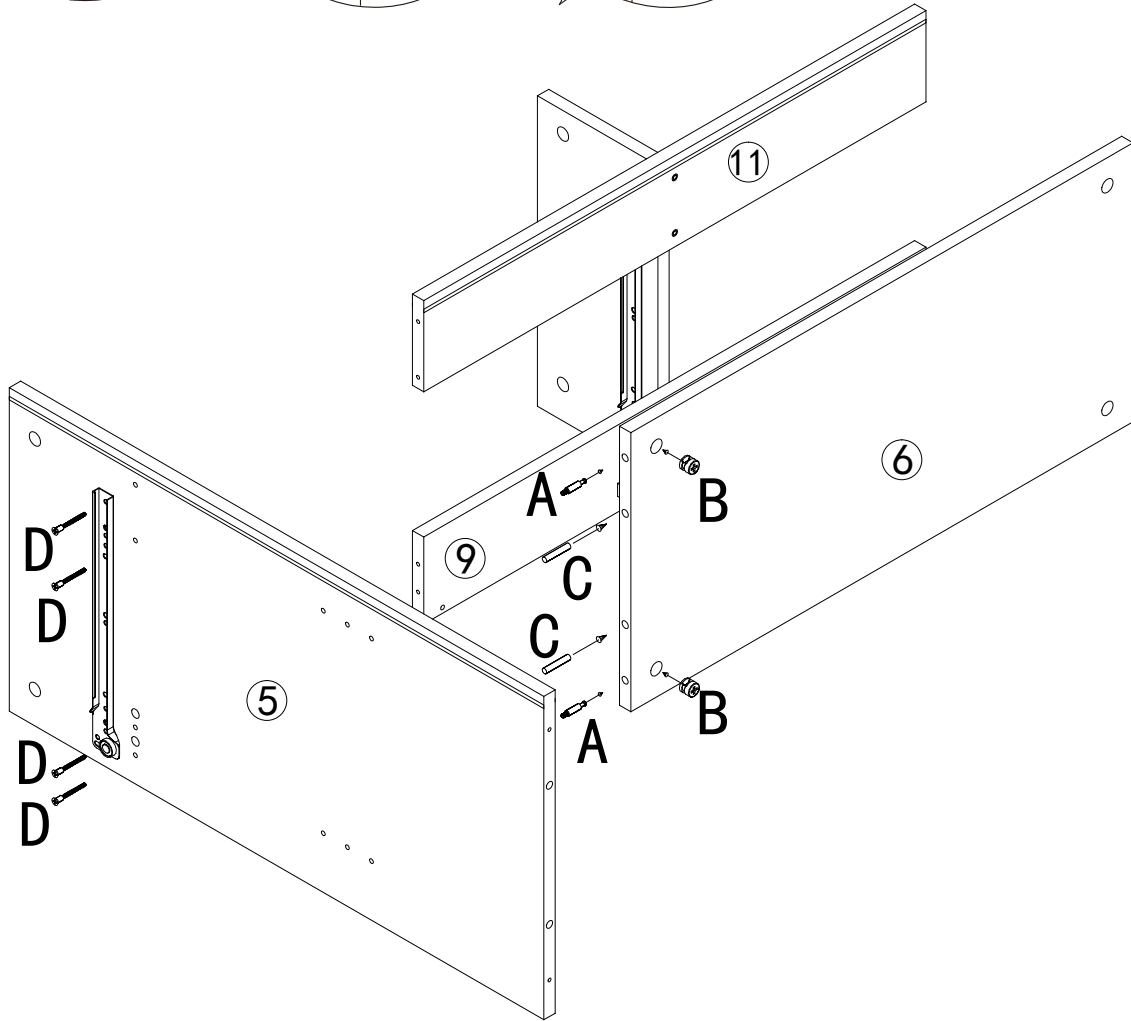
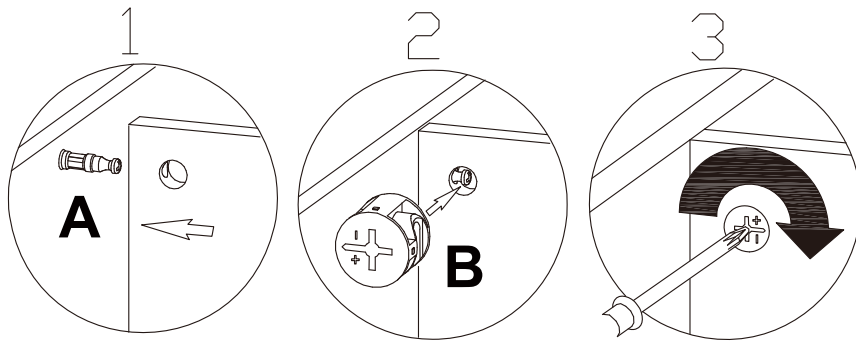


4pcs

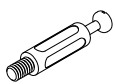
STEP 4



STEP 5



A



2pcs

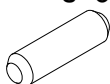
B



2pcs

C

8*30



2pcs

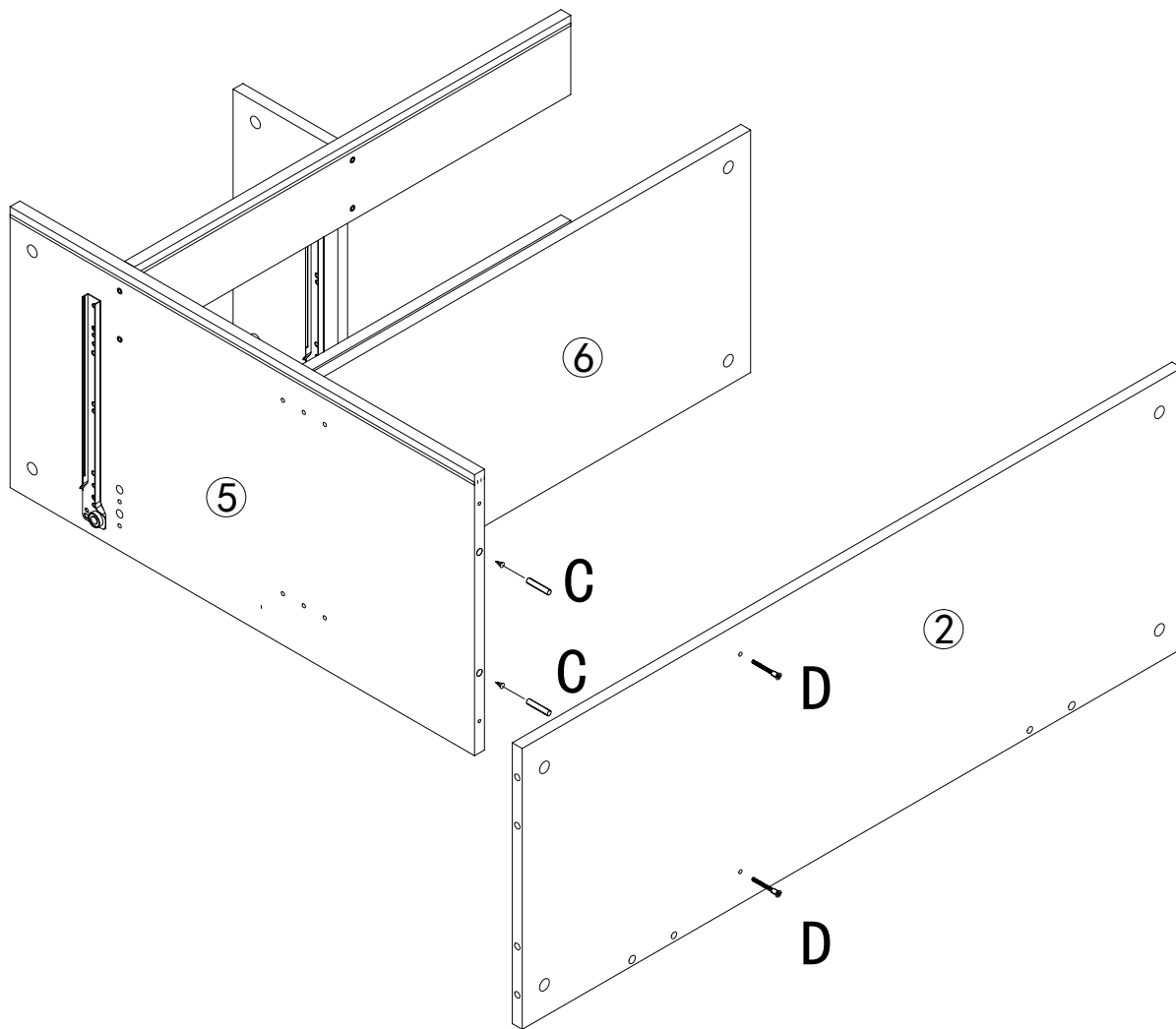
D

5*40



4pcs

STEP 6



C

8*30



2pcs

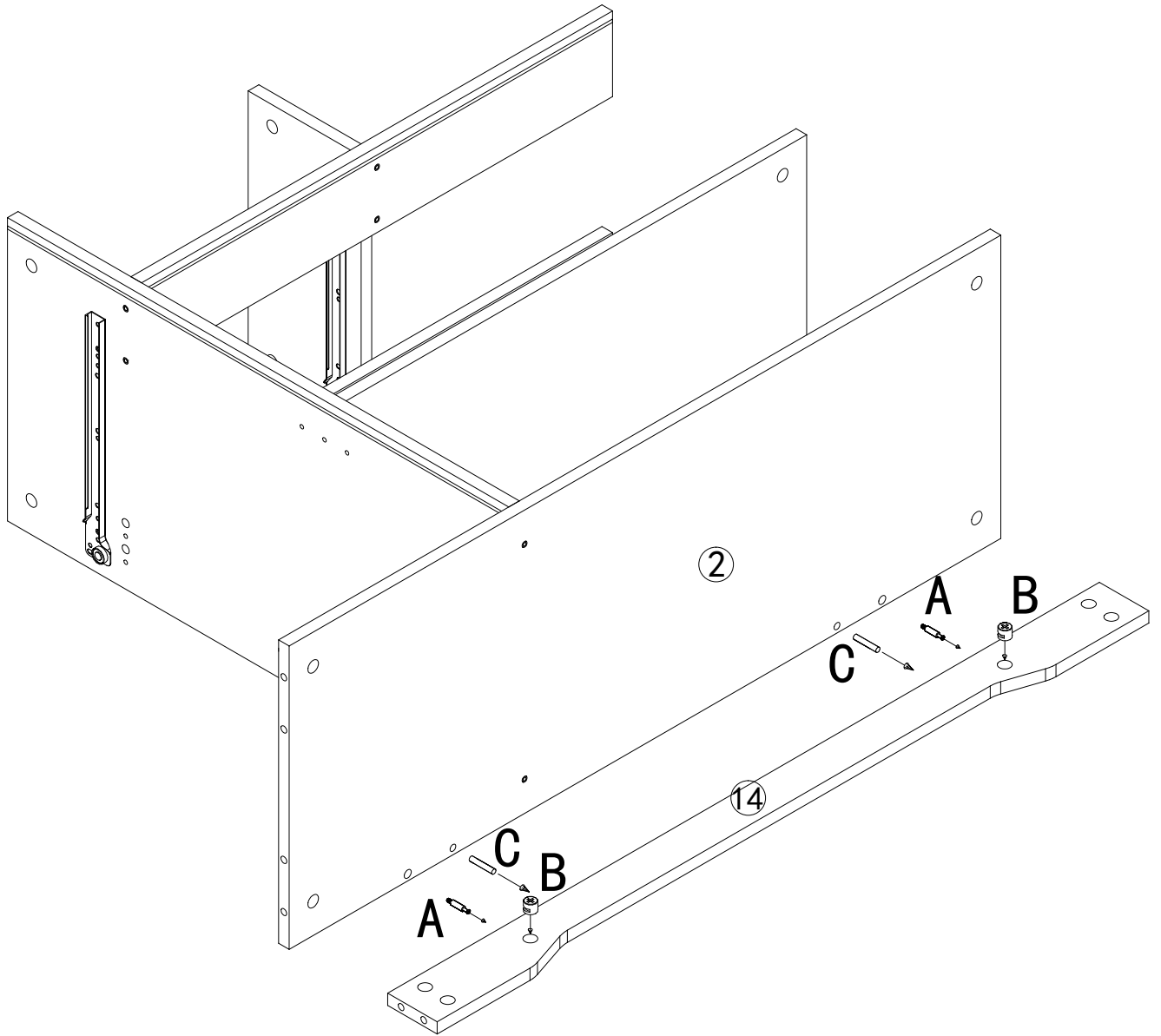
D

5*40



2pcs

STEP 7



A



2pcs

B



2pcs

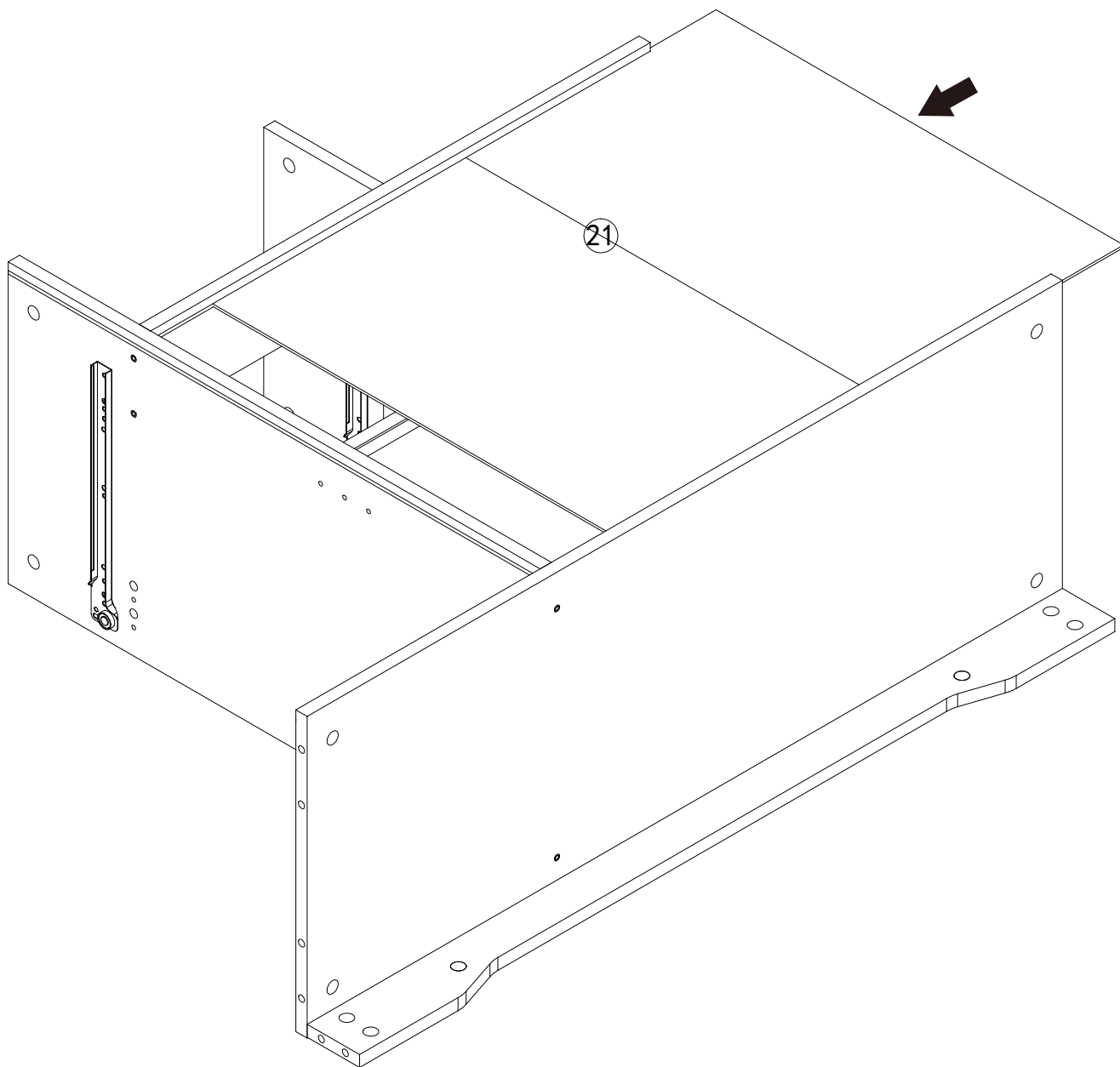
C

8*30

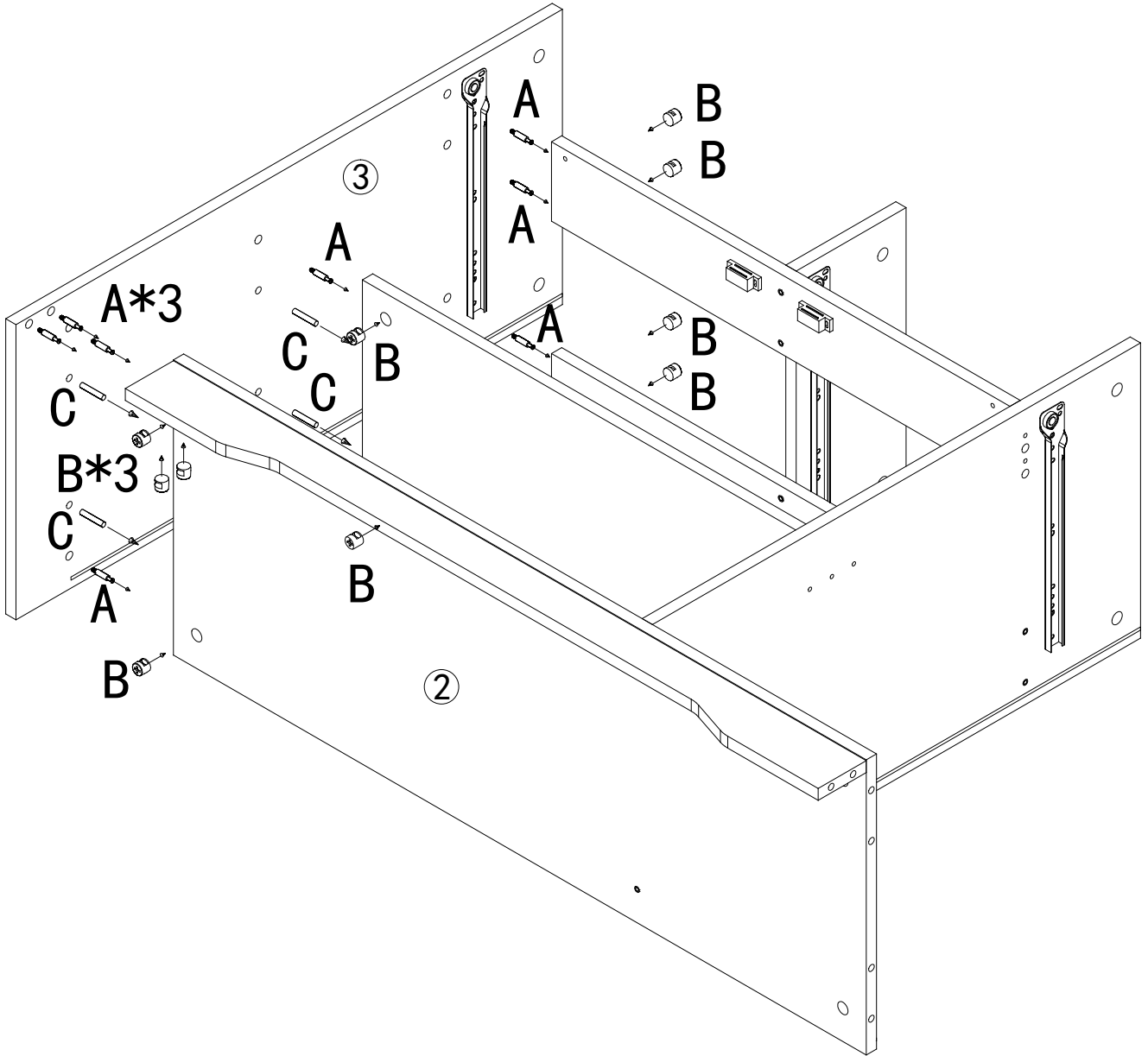


2pcs

STEP 8



STEP 9



A



10pcs

B



10pcs

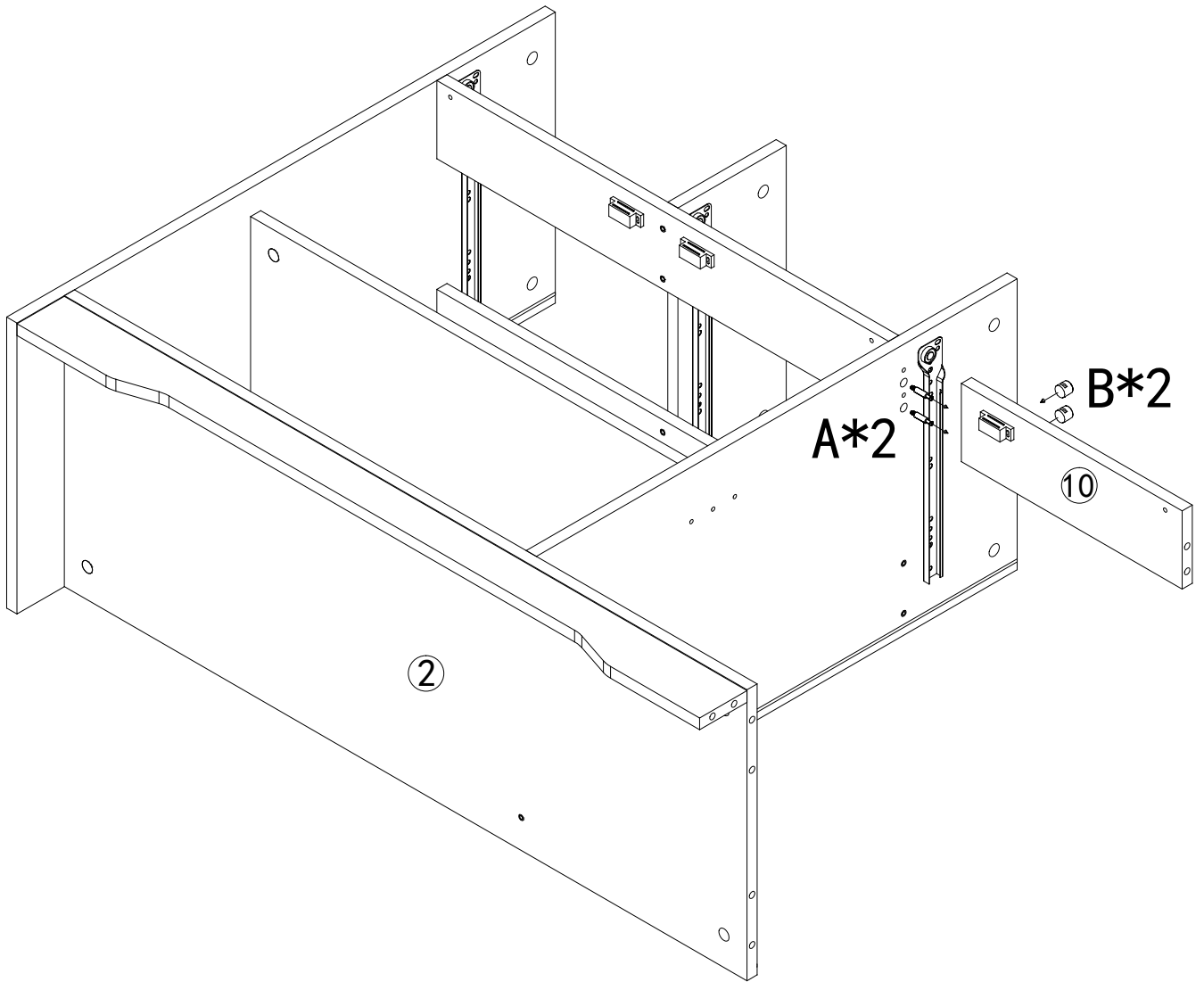
C

8*30



4pcs

STEP 10



A



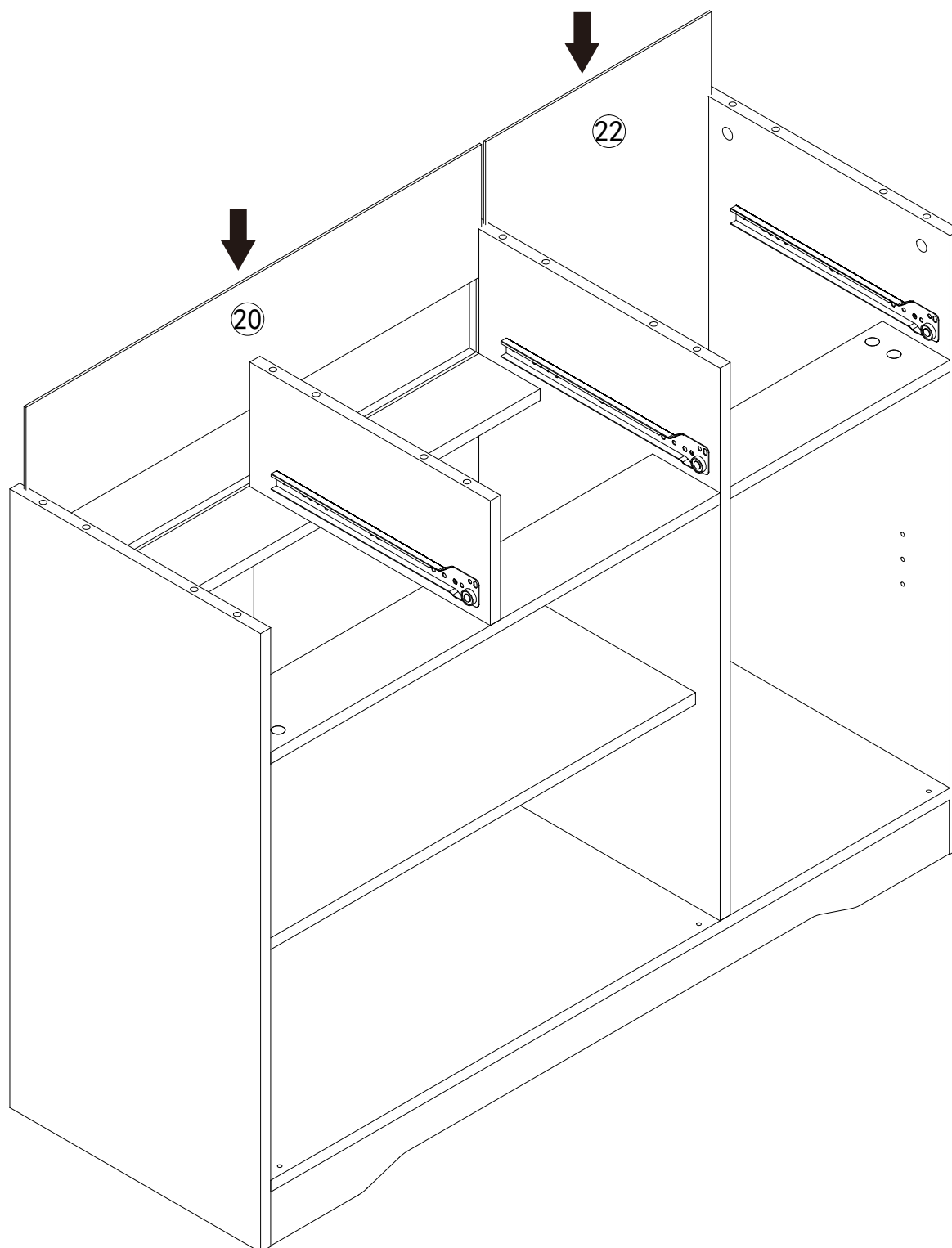
2pcs

B

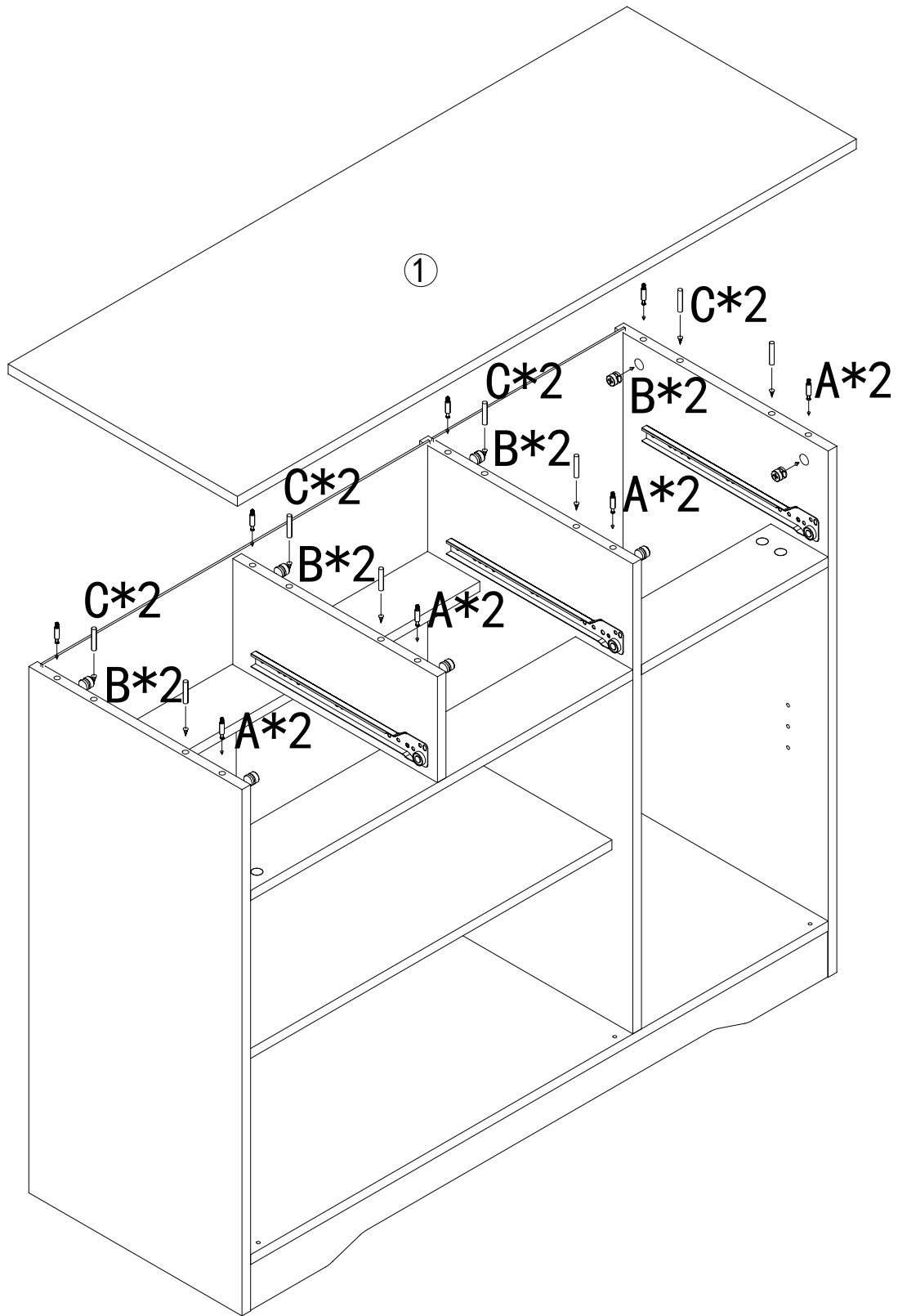


2pcs

STEP 12



STEP 13



A



8pcs

B



8pcs

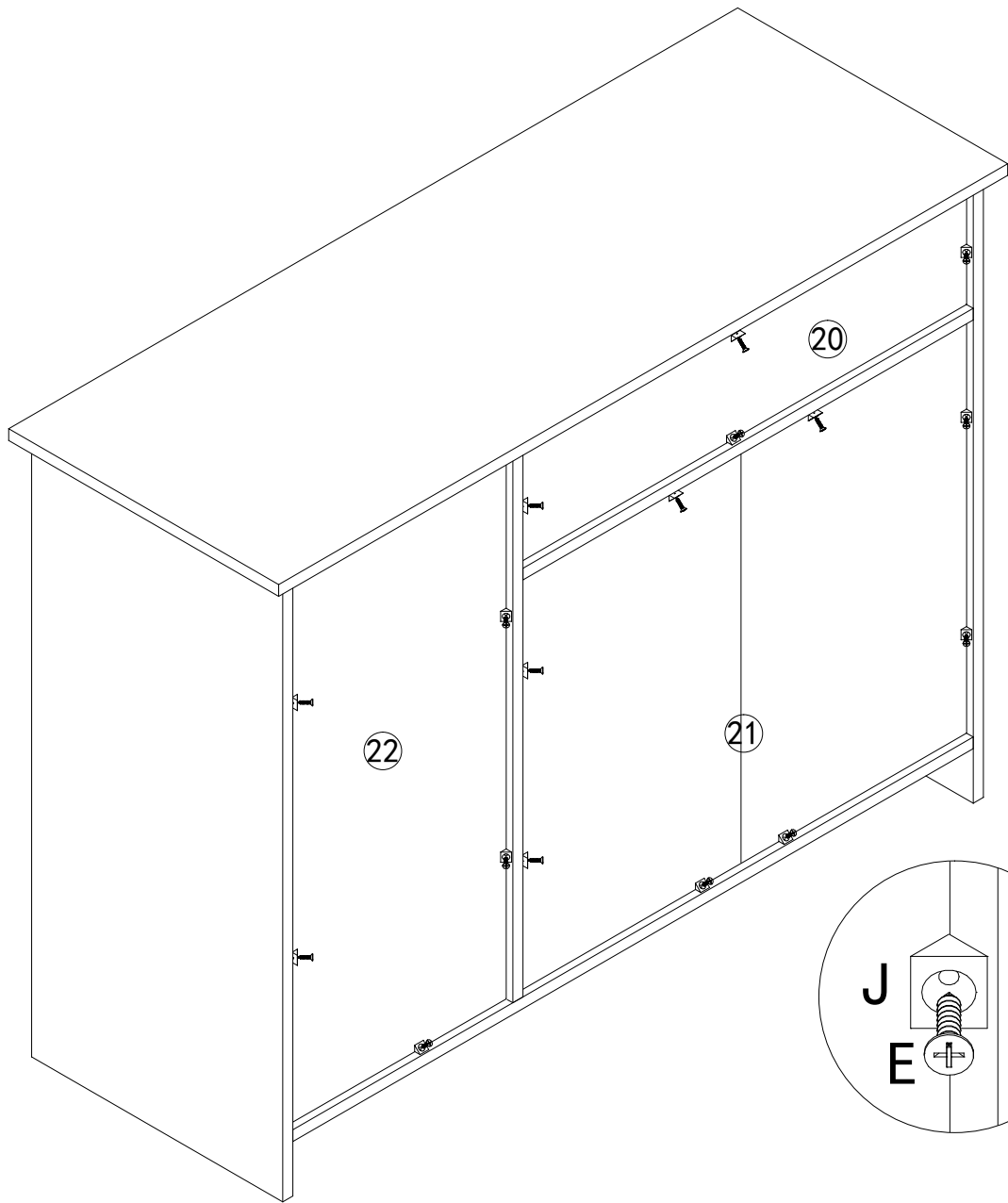
C

8*30



8pcs

STEP 14



J



16pcs

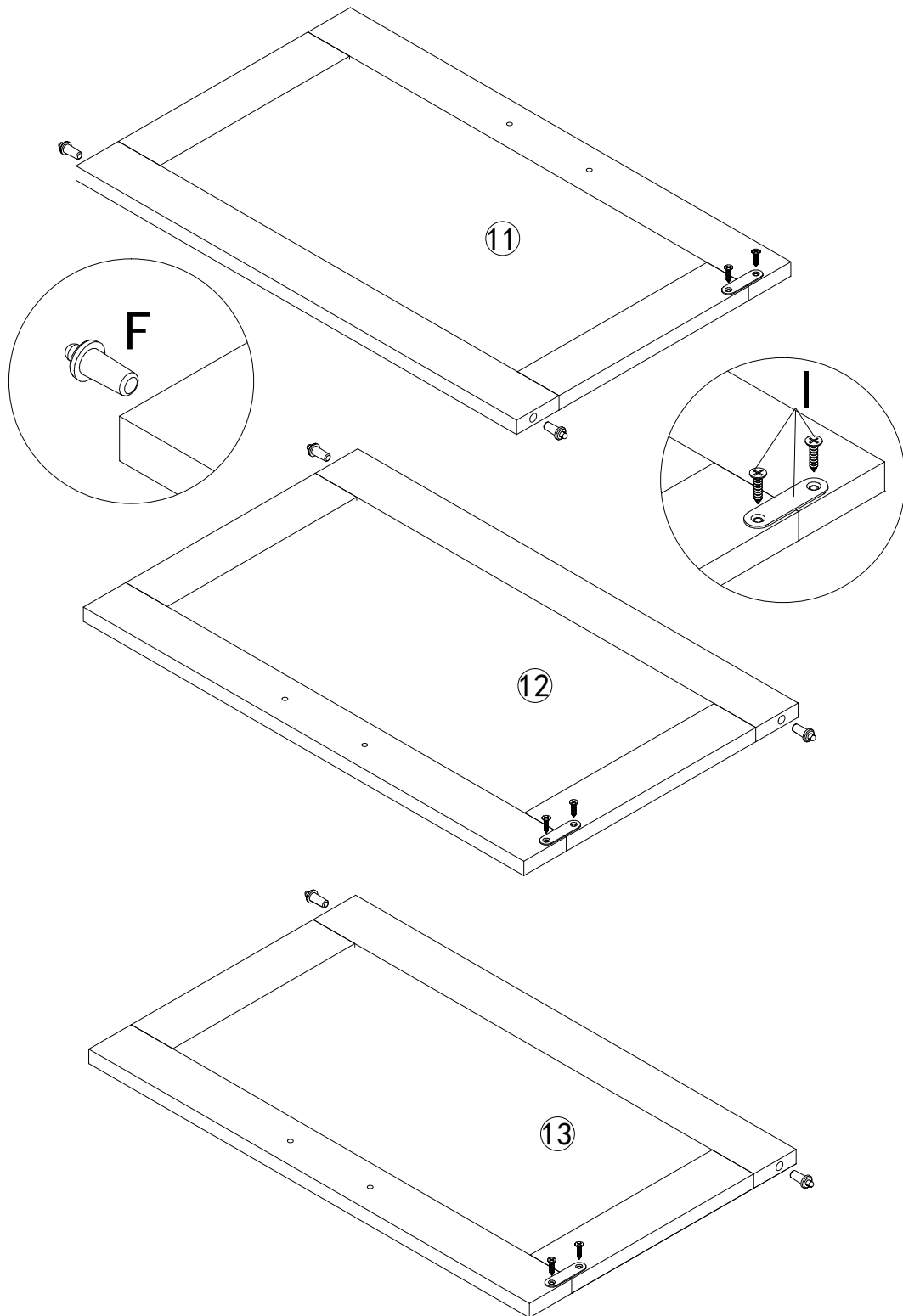
E

3.5*14

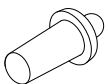


16pcs

STEP 15



F



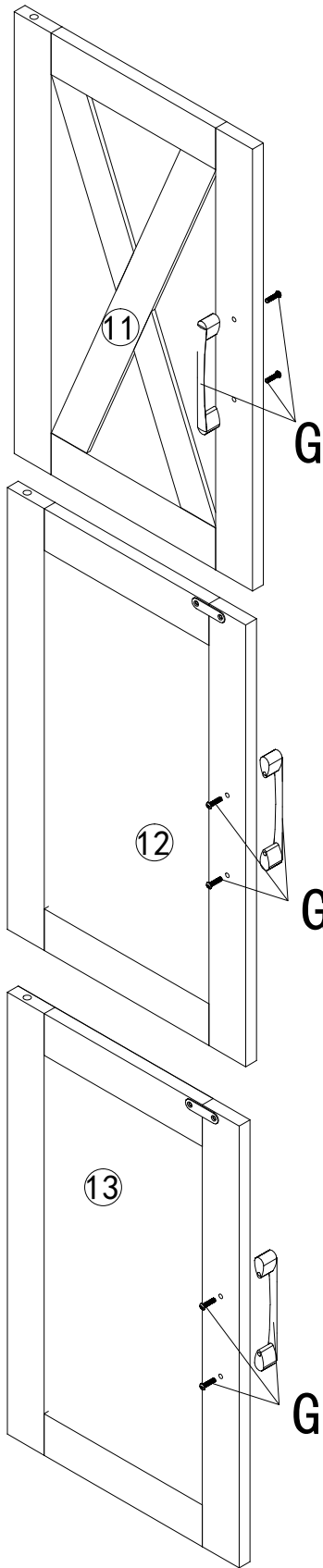
6pcs

I

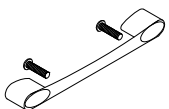


3pcs

STEP 16

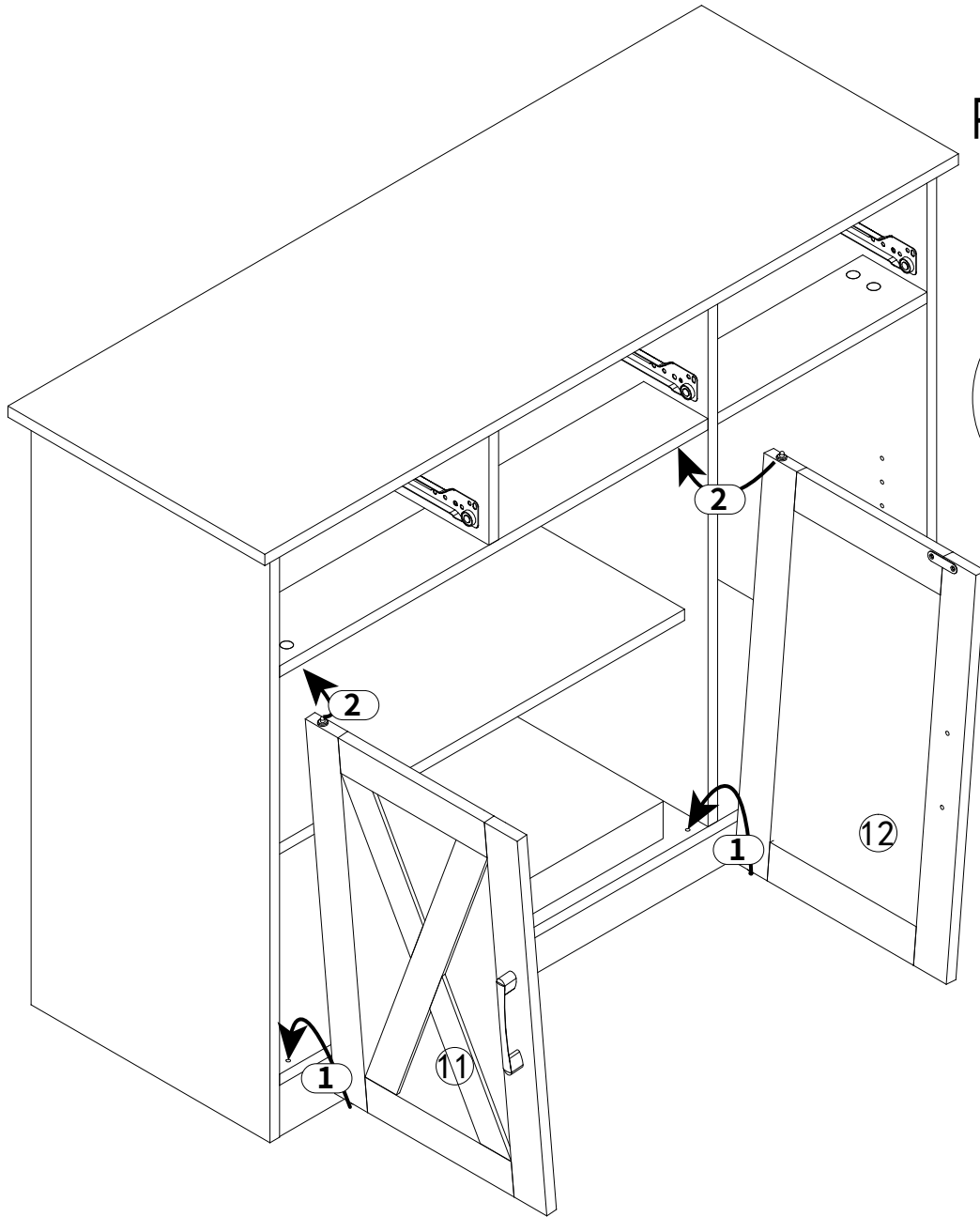


G

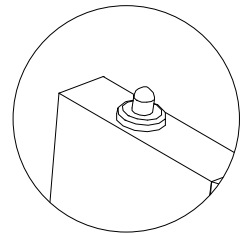


3pcs

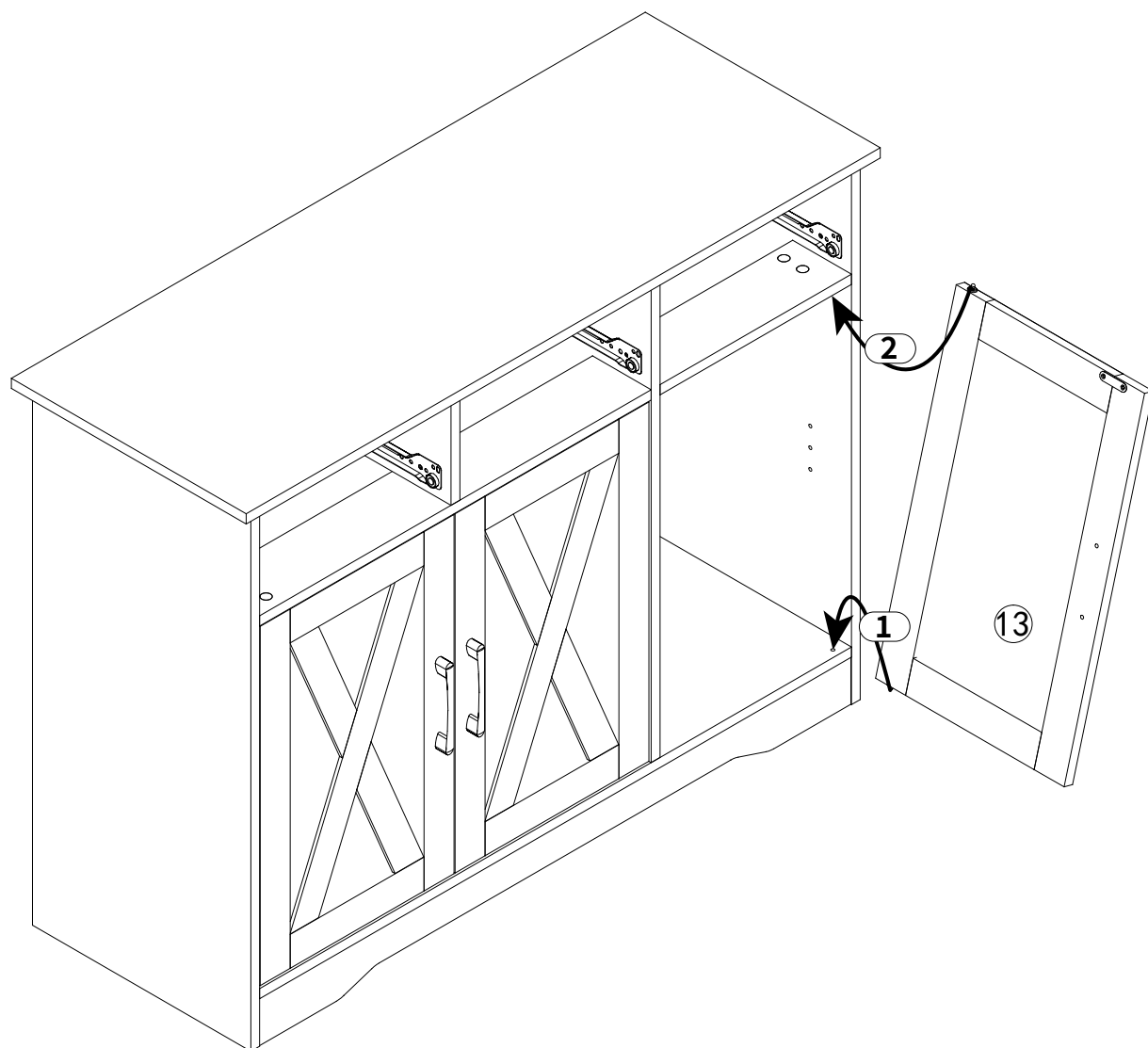
STEP 17



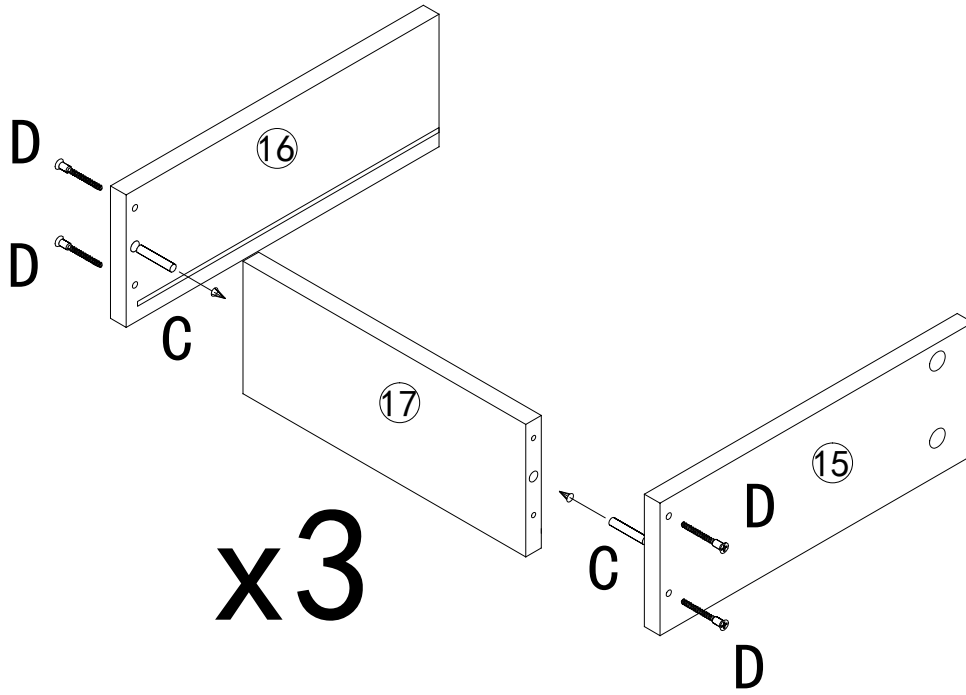
Press down and
push it
into the hole



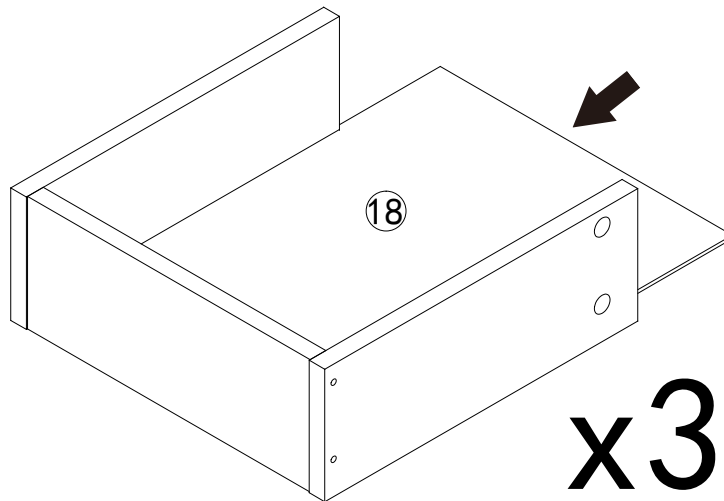
STEP 18



STEP 19



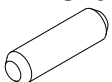
x3



x3

C

8*30



6pcs

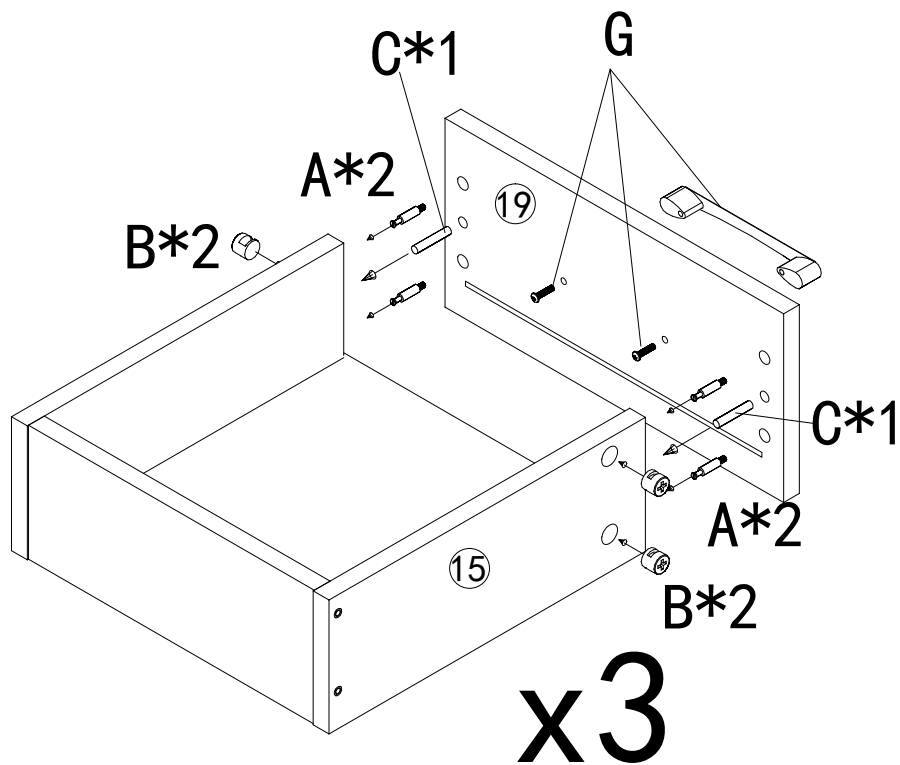
D

5*40

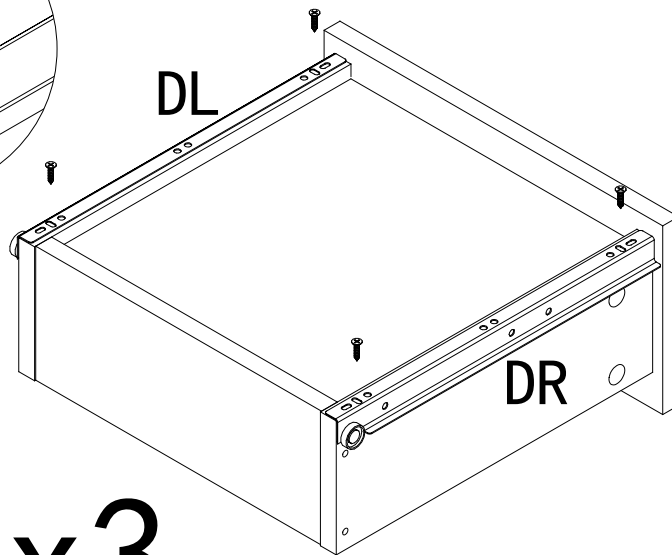
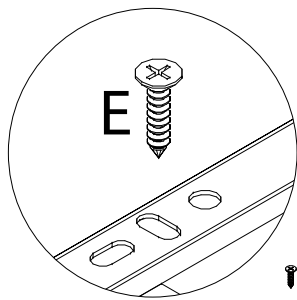


12pcs

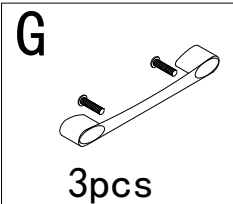
STEP 20



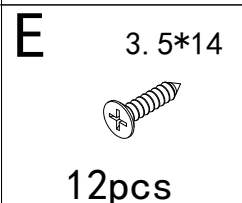
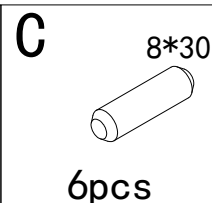
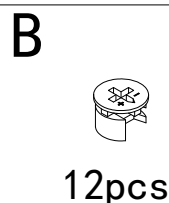
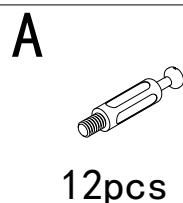
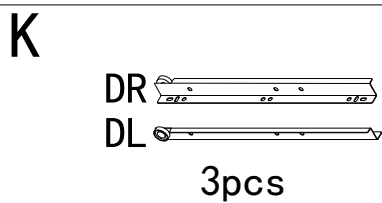
x3



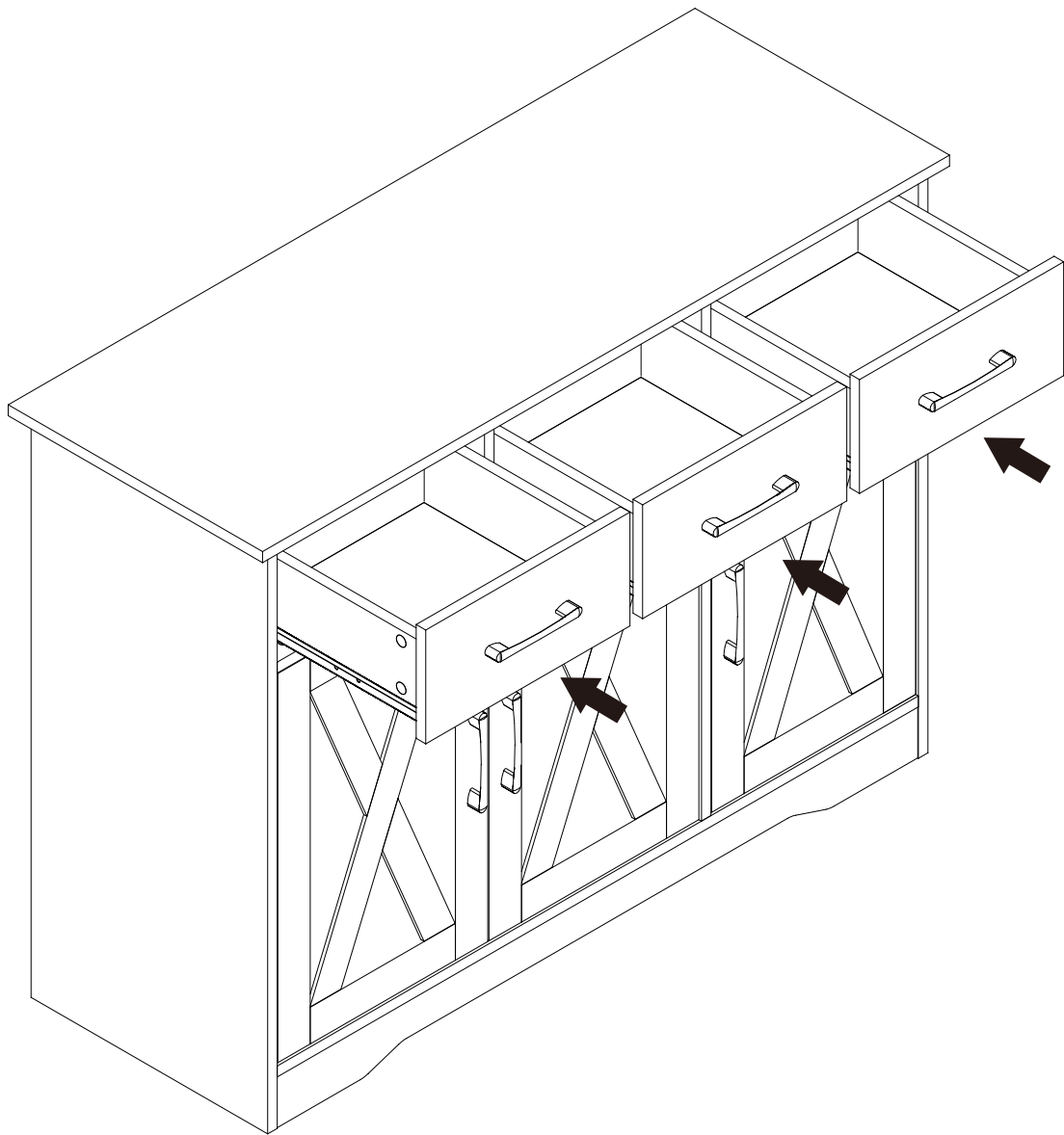
x3



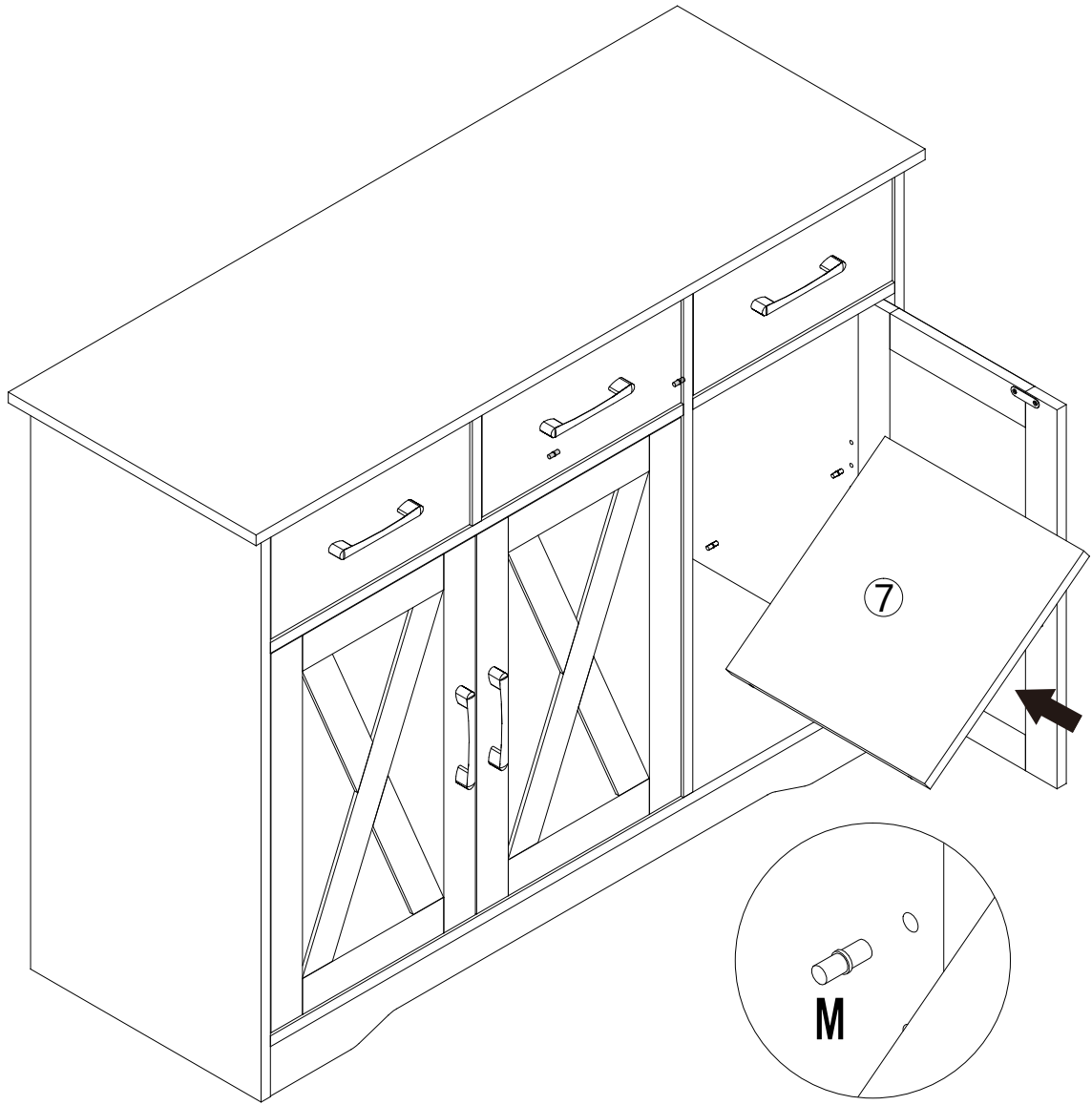
3pcs



STEP 21



STEP 22

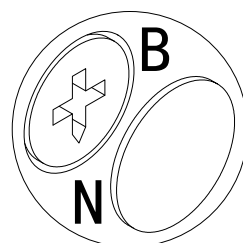
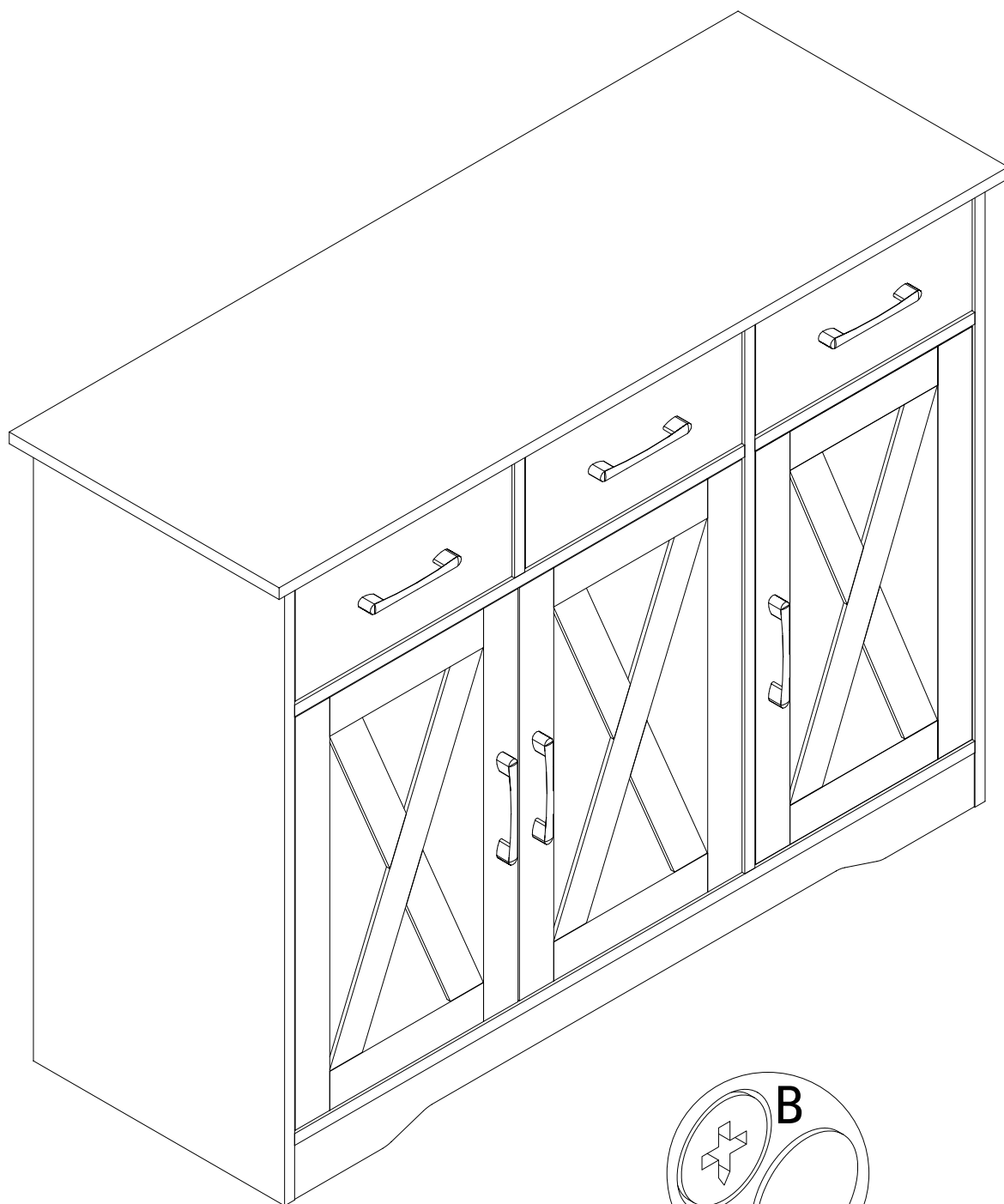


M

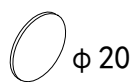


4pcs

STEP 23



N



40pcs