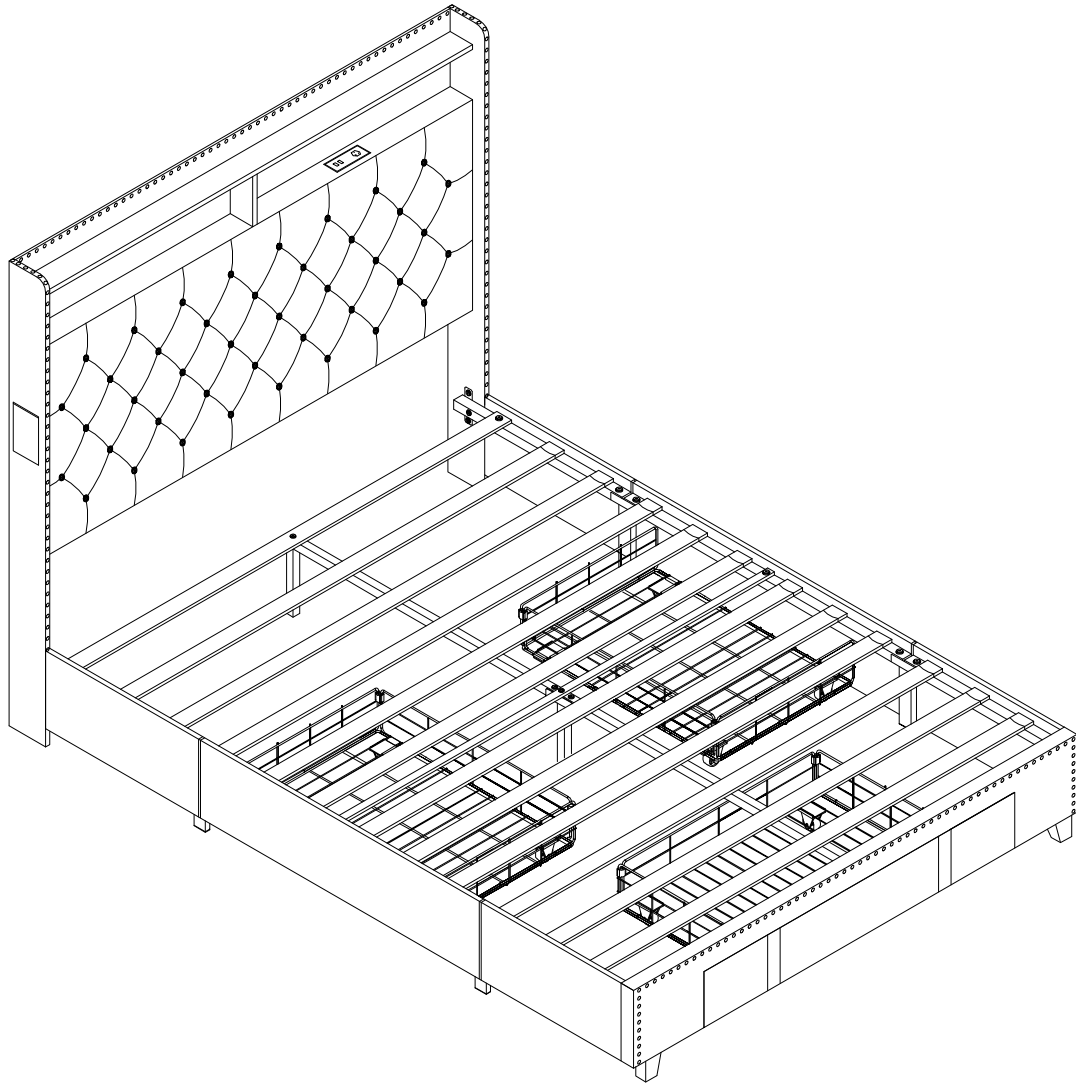


Instruction Manual



Bed Frame
(Double/Queen) Size



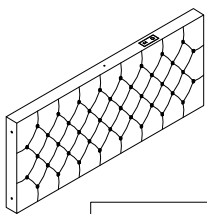
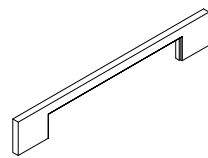
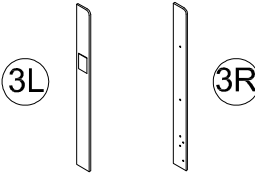
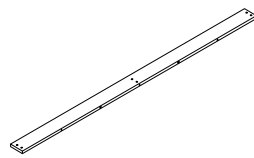

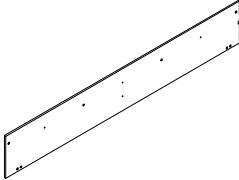
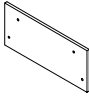
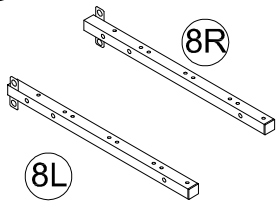
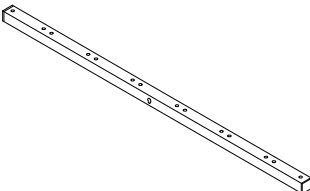
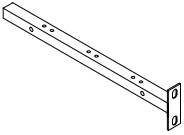


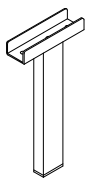
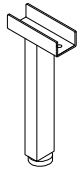
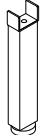
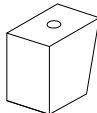
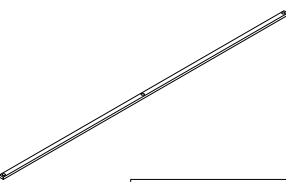
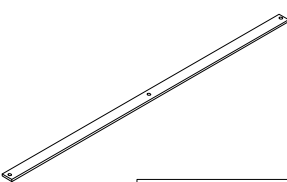
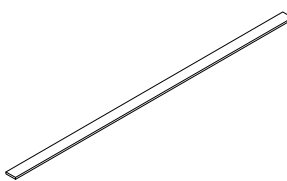

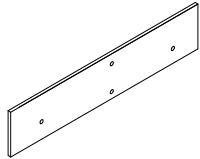

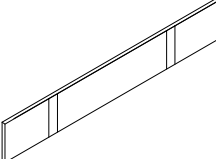
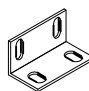
Thank you for purchase on our products. Please contact us if you have difficulty with assembly or need replacement parts. Our customer service is here to assist you. Please attach your User Name or Order ID so that we can assist you better.

WARNING

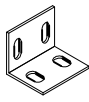
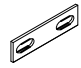
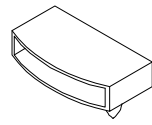
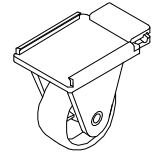
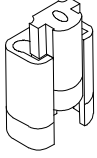
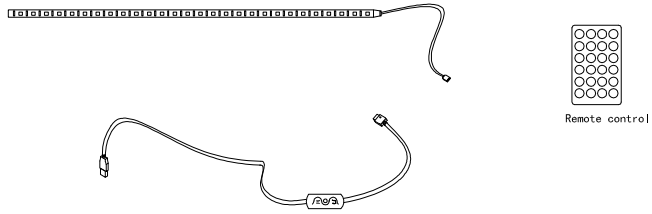
Serious or fatal injury may occur from unexpected assembly or use.

1. During the assembly process, keep all parts away from babies or children.
2. Use of tip-over restraints may only reduce, but not eliminate the risk of tip-over.
3. Unless specially designed to accommodate, do not set heavy objects on top of this product.
4. Place the heaviest items on the lowest shelf.
5. Never allow children to climb or bang on drawers, doors or shelves.

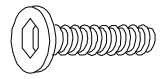
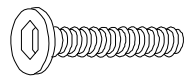
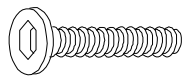
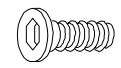
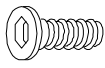
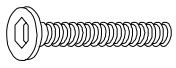

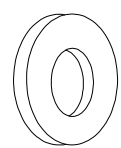
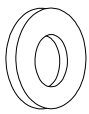
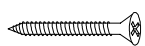
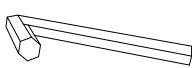

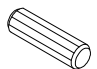
Parts List(EN)

<p>① Headboard</p>  <p>1PC</p>	<p>② Footboard</p>  <p>1PC</p>	<p>③ HB Leg</p>  <p>2PCS</p>	<p>④ HB Wood</p>  <p>1PC</p>
<p>⑤ HB Wood</p>  <p>1PC</p>	<p>⑥ HB Back panel</p>  <p>1PC</p>	<p>⑦ Side Rail Board</p>  <p>4PCS</p>	<p>⑧ Side cross beam</p>  <p>2PCS</p>
<p>⑨ Side cross beam</p>  <p>2PCS</p>	<p>⑩ Side cross beam</p>  <p>2PCS</p>	<p>⑪ Center support rail</p>  <p>1PC</p>	<p>⑫ Center support rail</p>  <p>1PC</p>
<p>⑬ Side Rail Feet</p>  <p>4PCS</p>	<p>⑭ Center Support Leg</p>  <p>1PC</p>	<p>⑮ Support Leg</p>  <p>1PC</p>	<p>⑯ Bed Leg</p>  <p>2PCS</p>
<p>⑰ Center cross bar</p>  <p>1PC</p>	<p>⑱ Slat</p>  <p>1PC</p>	<p>⑲ Slat</p>  <p>11PCS</p>	<p>⑳ SR Drawer</p>  <p>2PCS</p>
<p>㉑ SR Drawer panel</p>  <p>2PCS</p>	<p>㉒ FB Drawer</p>  <p>1PCS</p>	<p>㉓ FB Drawer panel</p>  <p>1PCS</p>	<p>㉔ ANGLE IRON</p>  <p>2PCS</p>

Parts List(EN)

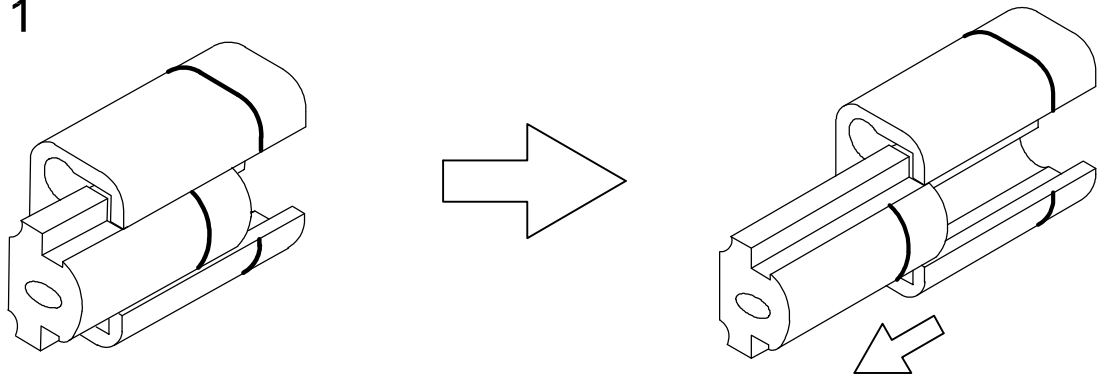
<p>25 ANGLE IRON</p>  <div style="border: 1px solid black; width: 60px; margin: 10px auto; text-align: center;">2PCS</div>	<p>26 Iron Plate</p>  <div style="border: 1px solid black; width: 60px; margin: 10px auto; text-align: center;">4PCS</div>	<p>27 Edge slab</p>  <div style="border: 1px solid black; width: 80px; margin: 10px auto; text-align: center;">22PCS</div>	<p>28 Drawer wheel</p>  <div style="border: 1px solid black; width: 80px; margin: 10px auto; text-align: center;">12PCS</div>
<p>29 Drawer connector</p>  <div style="border: 1px solid black; width: 60px; margin: 10px auto; text-align: center;">6PCS</div>	<p>30 LED light belt</p> <p style="font-size: small; text-align: right;">(30) Please refer to the appendix for details of installation and usage.</p>  <div style="border: 1px solid black; width: 80px; margin: 10px auto; text-align: center;">1set</div>		

HARDWARE LIST:

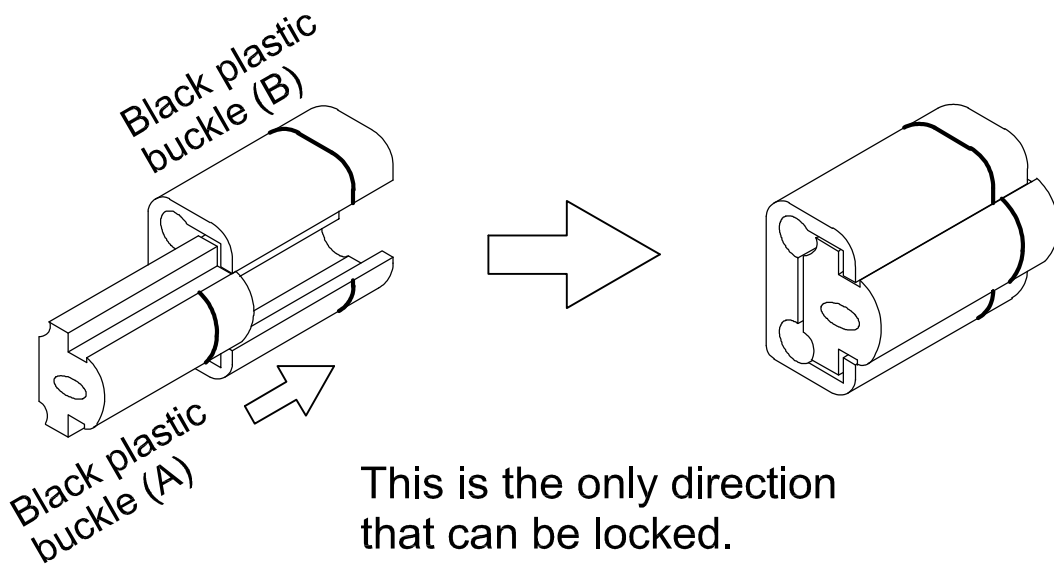
<p>A Screw</p>  <div style="border: 1px solid black; width: 60px; margin: 10px auto; text-align: center;">5/16"*20mm 10+1PCS</div>	<p>B Screw</p>  <div style="border: 1px solid black; width: 60px; margin: 10px auto; text-align: center;">5/16"*45mm 16+2PCS</div>	<p>C Screw</p>  <div style="border: 1px solid black; width: 60px; margin: 10px auto; text-align: center;">5/16"*30mm 4PCS</div>	<p>D Screw</p>  <div style="border: 1px solid black; width: 60px; margin: 10px auto; text-align: center;">1/4"*15mm 36+2PCS</div>
<p>E Screw</p>  <div style="border: 1px solid black; width: 60px; margin: 10px auto; text-align: center;">1/4"*30mm 4PCS</div>	<p>F Screw</p>  <div style="border: 1px solid black; width: 60px; margin: 10px auto; text-align: center;">1/4"*40mm 8+1PCS</div>	<p>G Lock Washer</p>  <div style="border: 1px solid black; width: 60px; margin: 10px auto; text-align: center;">5/16"*13mm 30+2PCS</div>	<p>H Flat Washer</p>  <div style="border: 1px solid black; width: 60px; margin: 10px auto; text-align: center;">5/16"*19mm 30+2PCS</div>
<p>I Flat Washer</p>  <div style="border: 1px solid black; width: 60px; margin: 10px auto; text-align: center;">1/4"*16mm 46+2PCS</div>	<p>J Screw</p>  <div style="border: 1px solid black; width: 60px; margin: 10px auto; text-align: center;">M4*35mm 4PCS</div>	<p>K Inner allen wrench</p>  <div style="border: 1px solid black; width: 60px; margin: 10px auto; text-align: center;">M5*100mm 1PC</div>	<p>L Inner allen wrench</p>  <div style="border: 1px solid black; width: 60px; margin: 10px auto; text-align: center;">M4*100mm 1PC</div>
<p>M Wooden tenons</p>  <div style="border: 1px solid black; width: 60px; margin: 10px auto; text-align: center;">30*8mm 5PCS</div>			

Assembly Steps(EN)

STEP 1

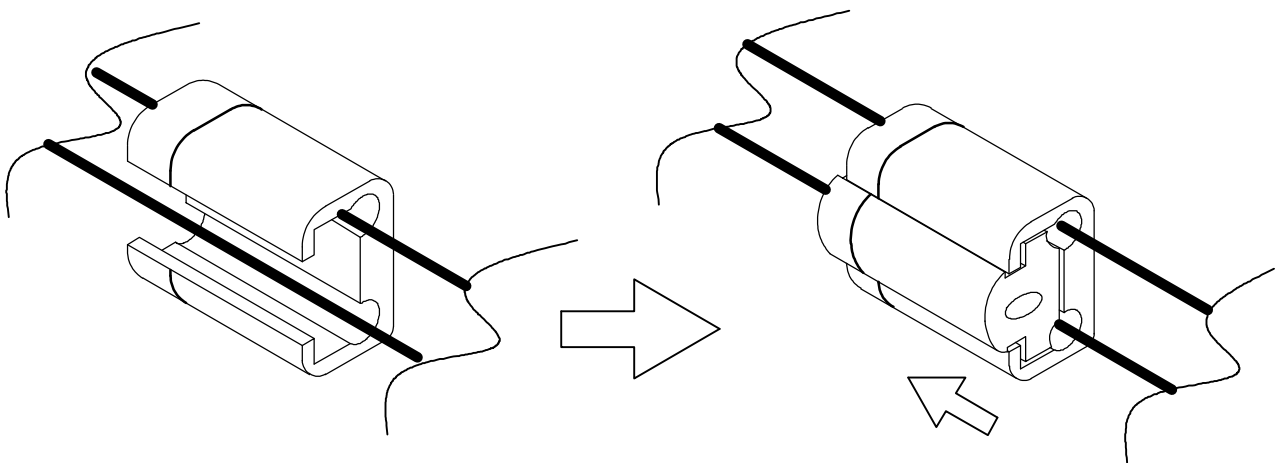


You can pull the buckle out by following the direction indicated by the arrow



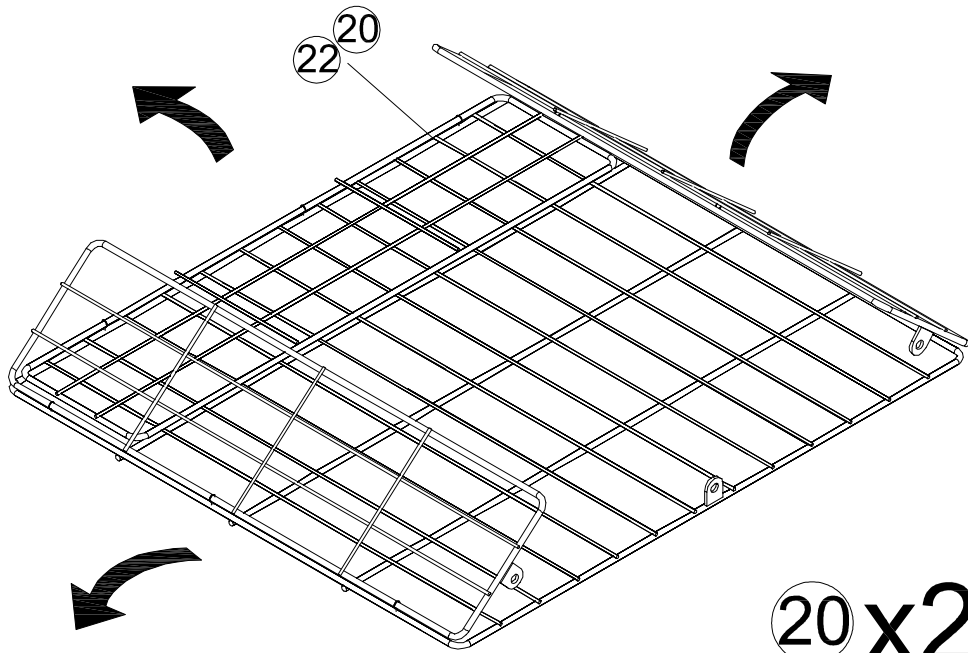
This is the only direction that can be locked.

STEP 2



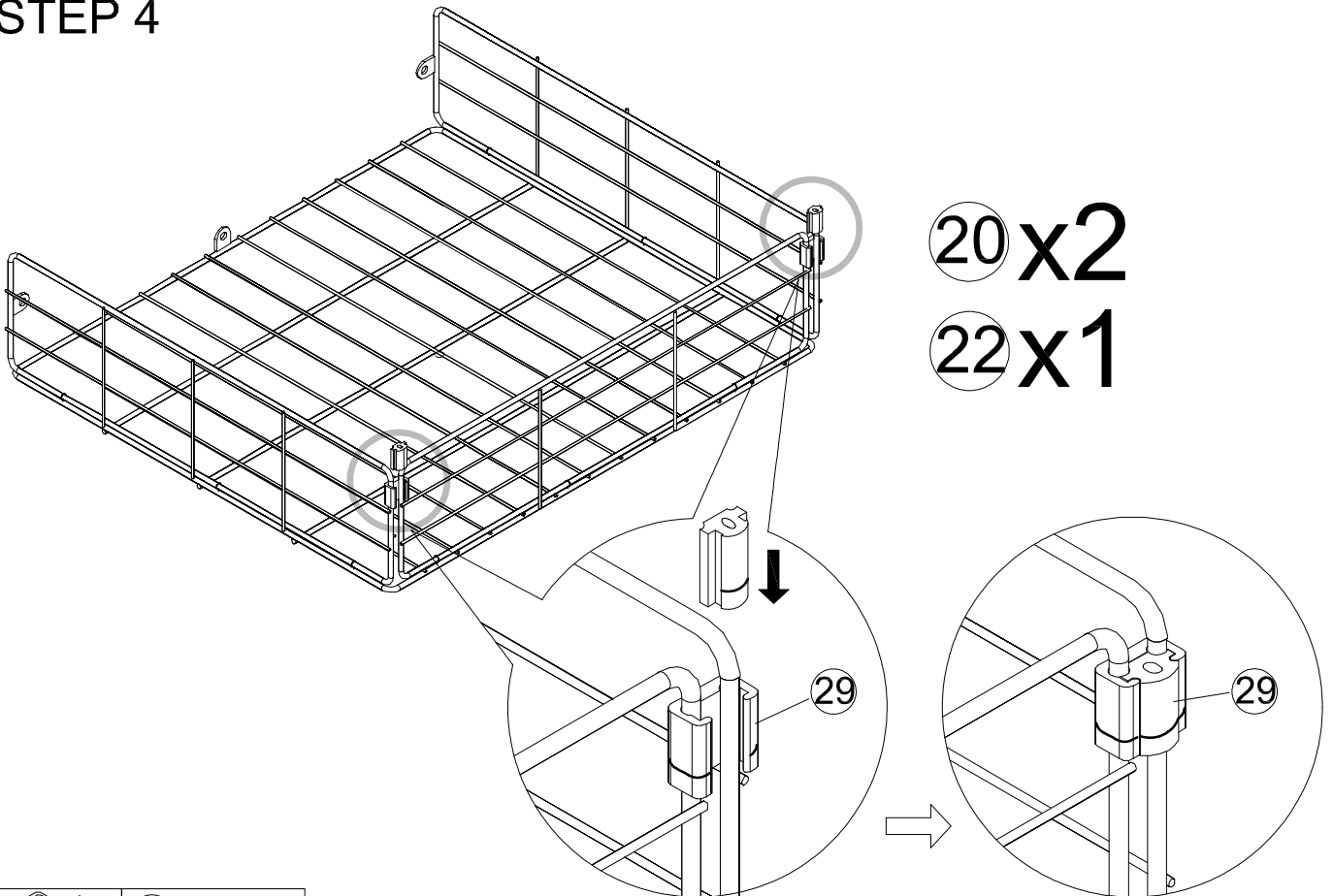
Place round iron tube as shown for better drawer assembly

STEP 3



20 x2
22 x1

STEP 4

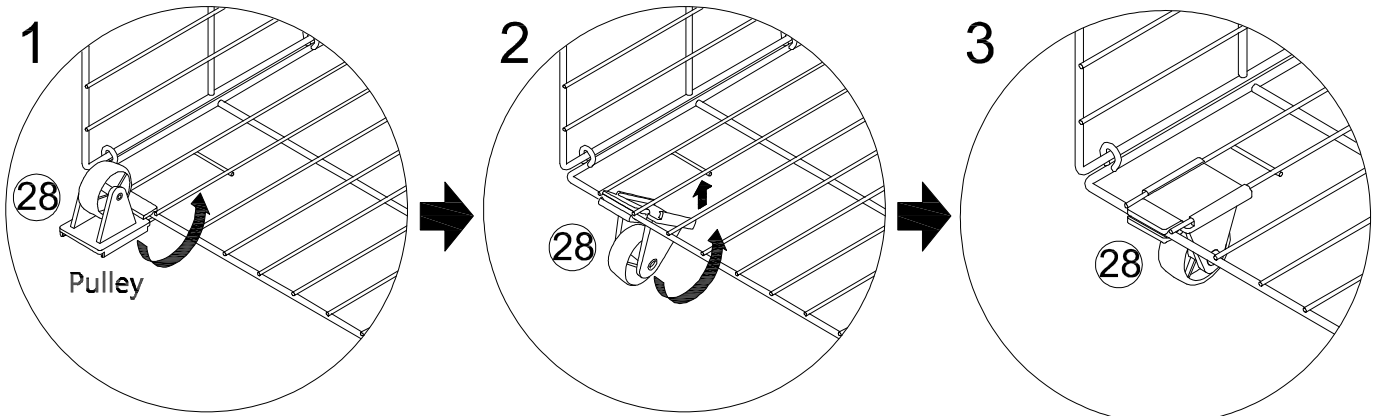


20 x2
22 x1



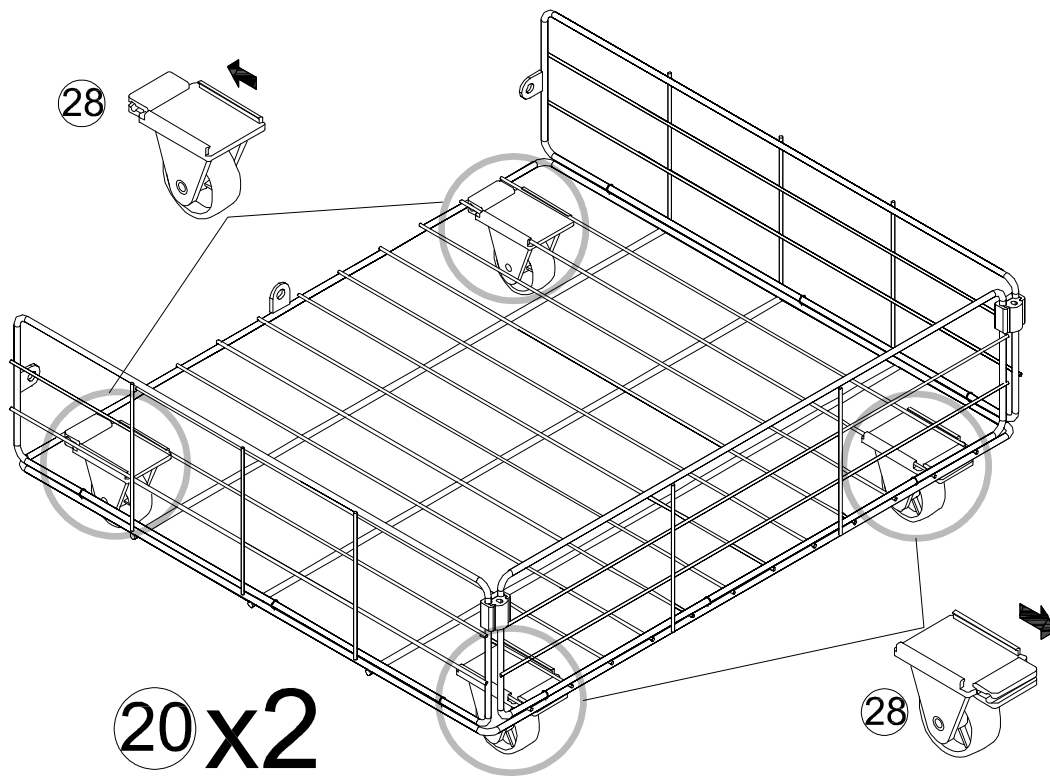
29 x 6PCS

STEP 5



1. As shown in the figure Clip the pulley into position first

2. Then push the pulley to the side, clamp the iron wire at the edge.



20 x 2

22 x 1

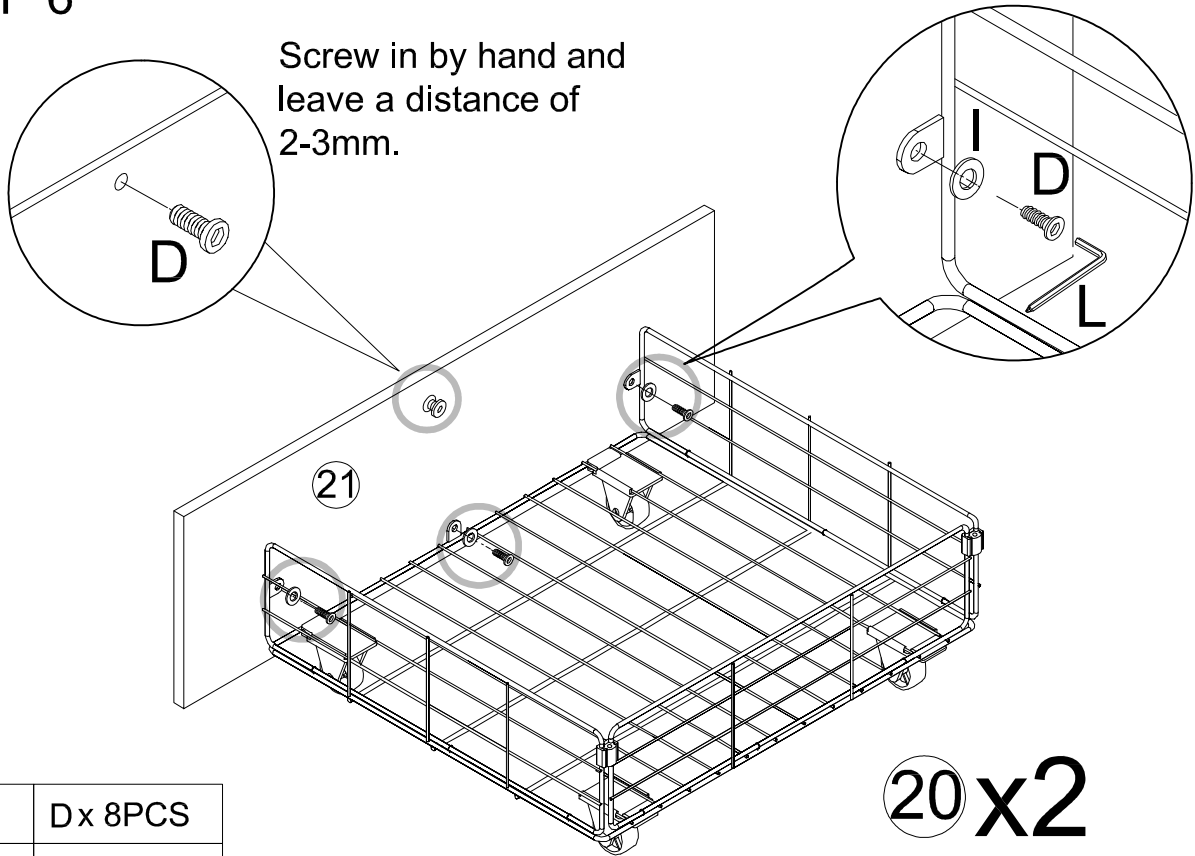
Place the round iron tubes as shown for better assembly of the drawers.






28 x 12PCS

Assembly Steps(EN)

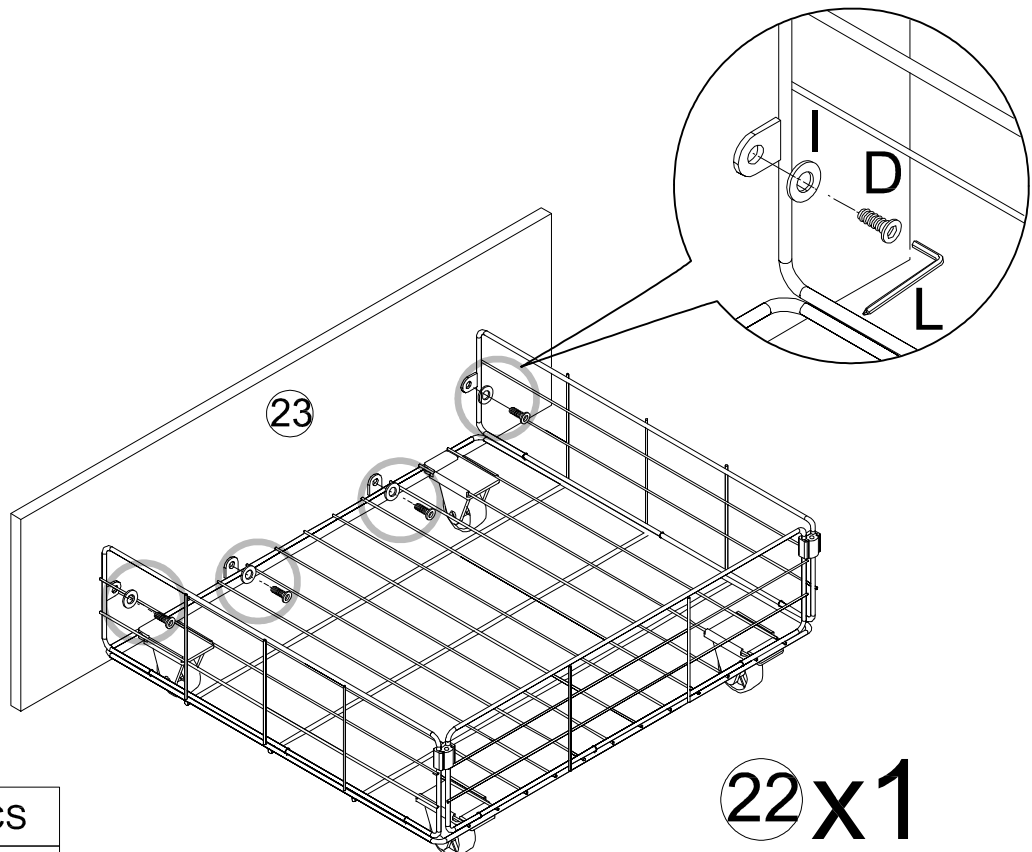
STEP 6






	D x 8PCS
	I x 6PCS
	L x 1PC

20 x 2

STEP 7

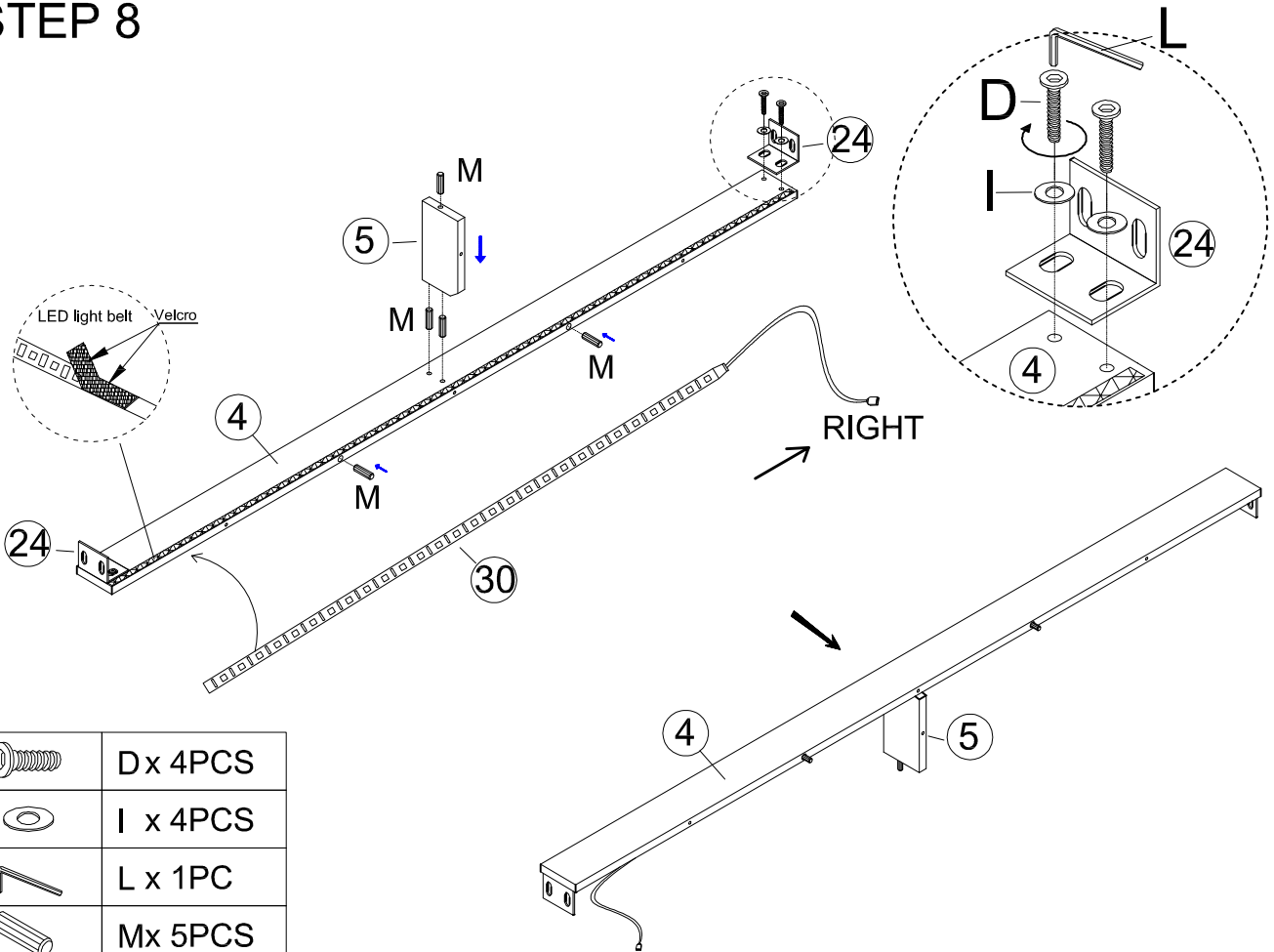


	D x 4PCS
	I x 4PCS
	L x 1PC

22 x 1

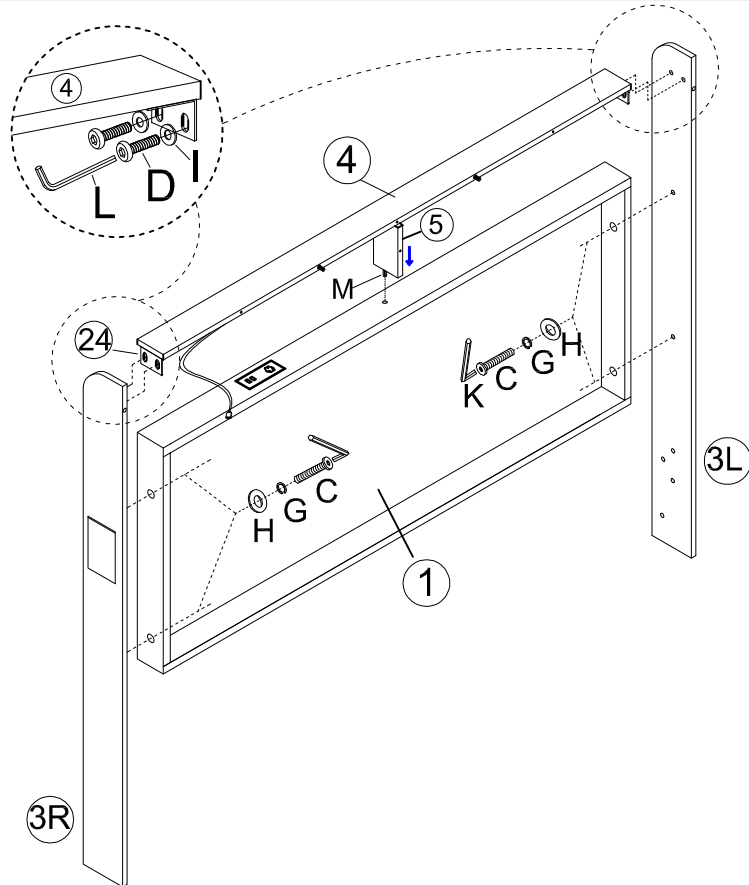
Assembly Steps(EN)

STEP 8



	D x 4PCS
	I x 4PCS
	L x 1PC
	M x 5PCS

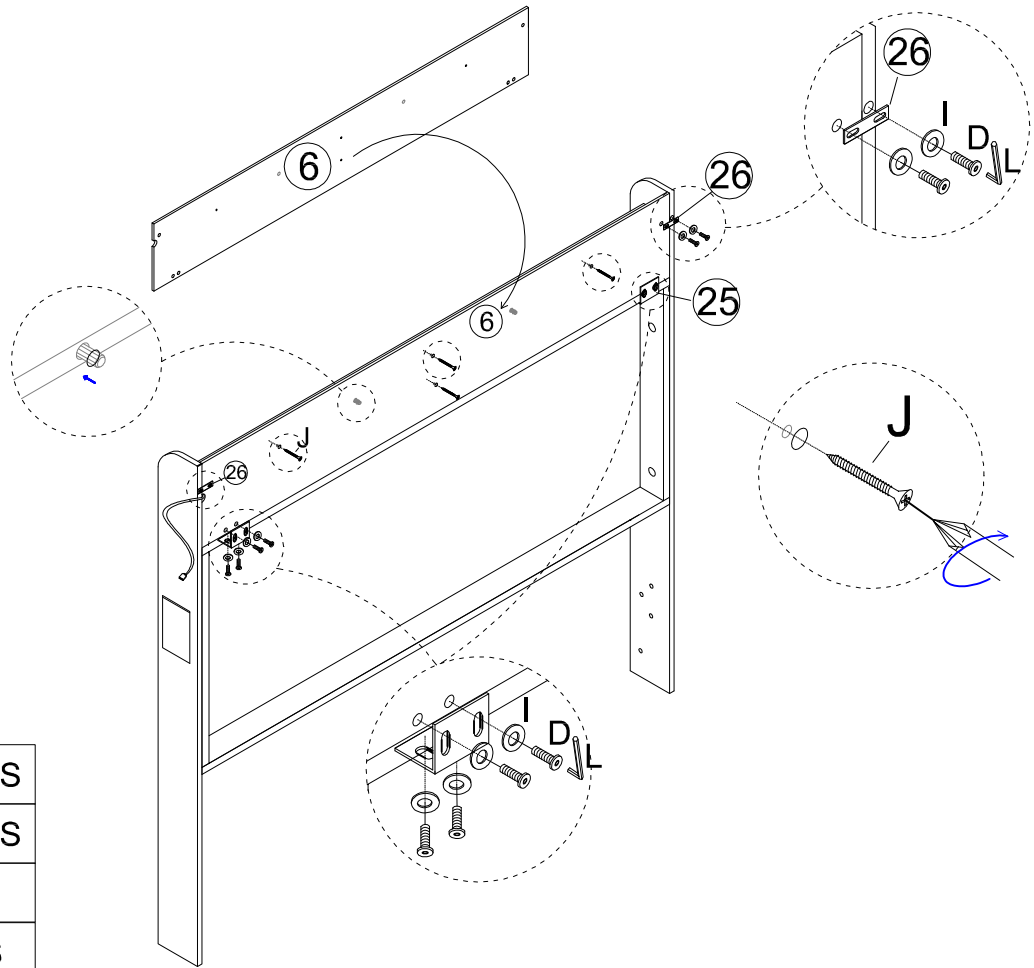
STEP 9




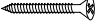


	C x 4PCS
	D x 4PCS
	H x 4PCS
	G x 4PCS
	I x 4PCS
	K x 1PC
	L x 1PC

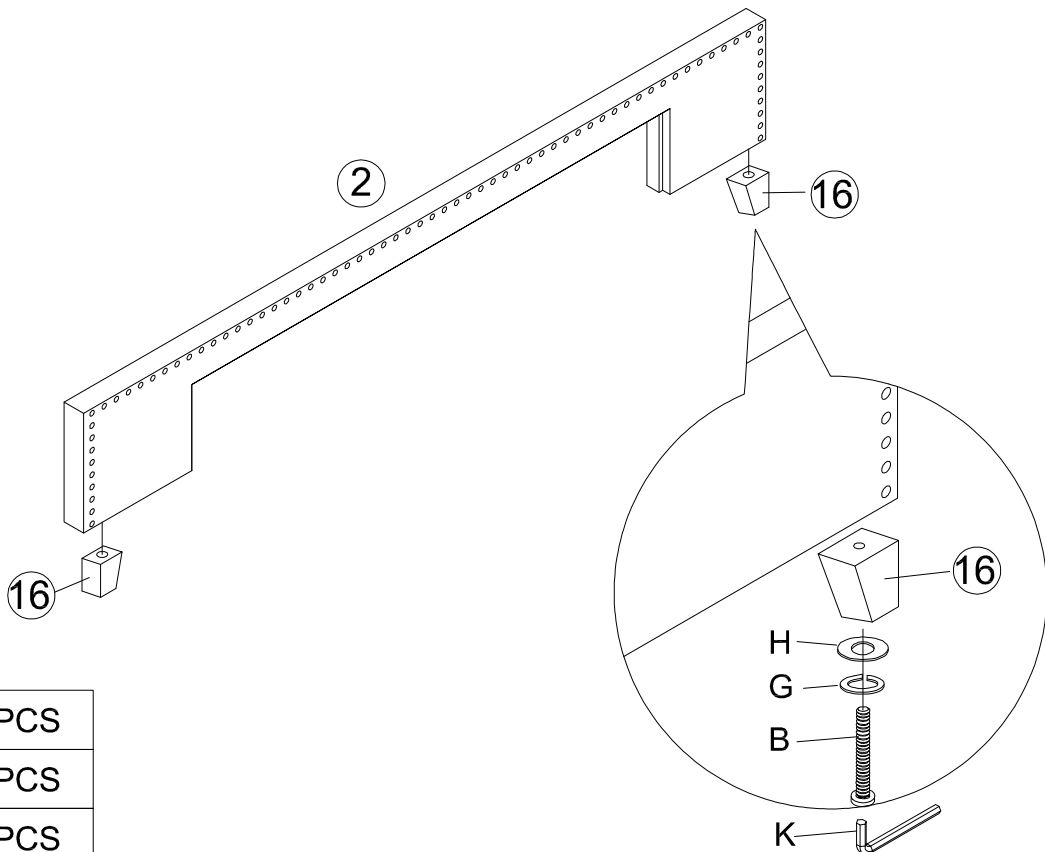
Assembly Steps(EN)




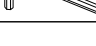
STEP 10



	D x 12PCS
	I x 12PCS
	L x 1PC
	J x 4PCS

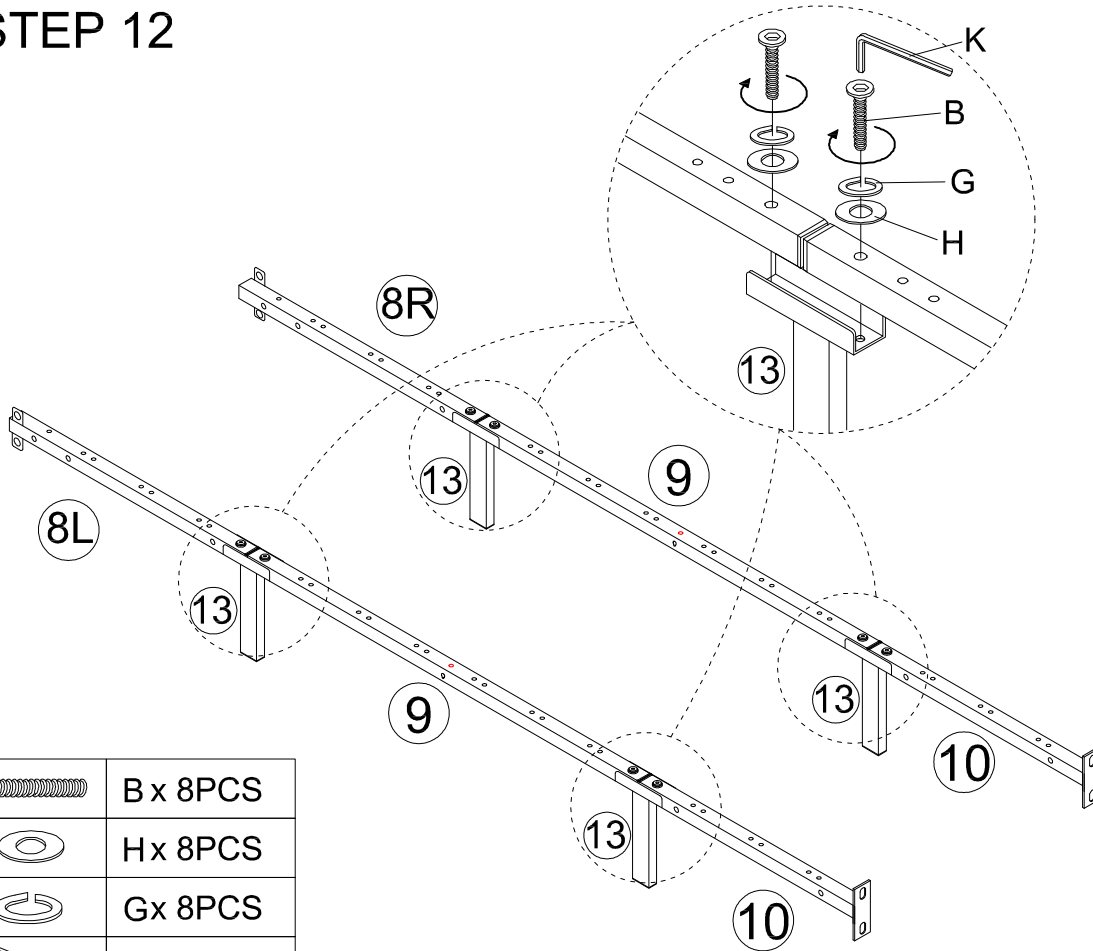
STEP 11







	B x 2PCS
	H x 2PCS
	G x 2PCS
	K x 1PC

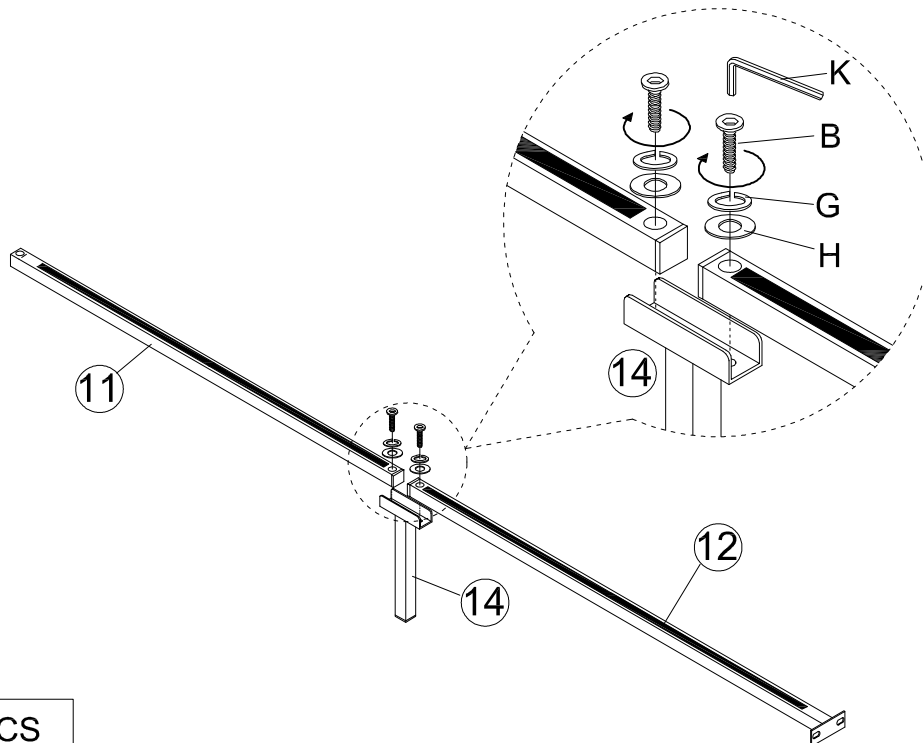
Assembly Steps(EN)





STEP 12



	B x 8PCS
	H x 8PCS
	G x 8PCS
	K x 1PC

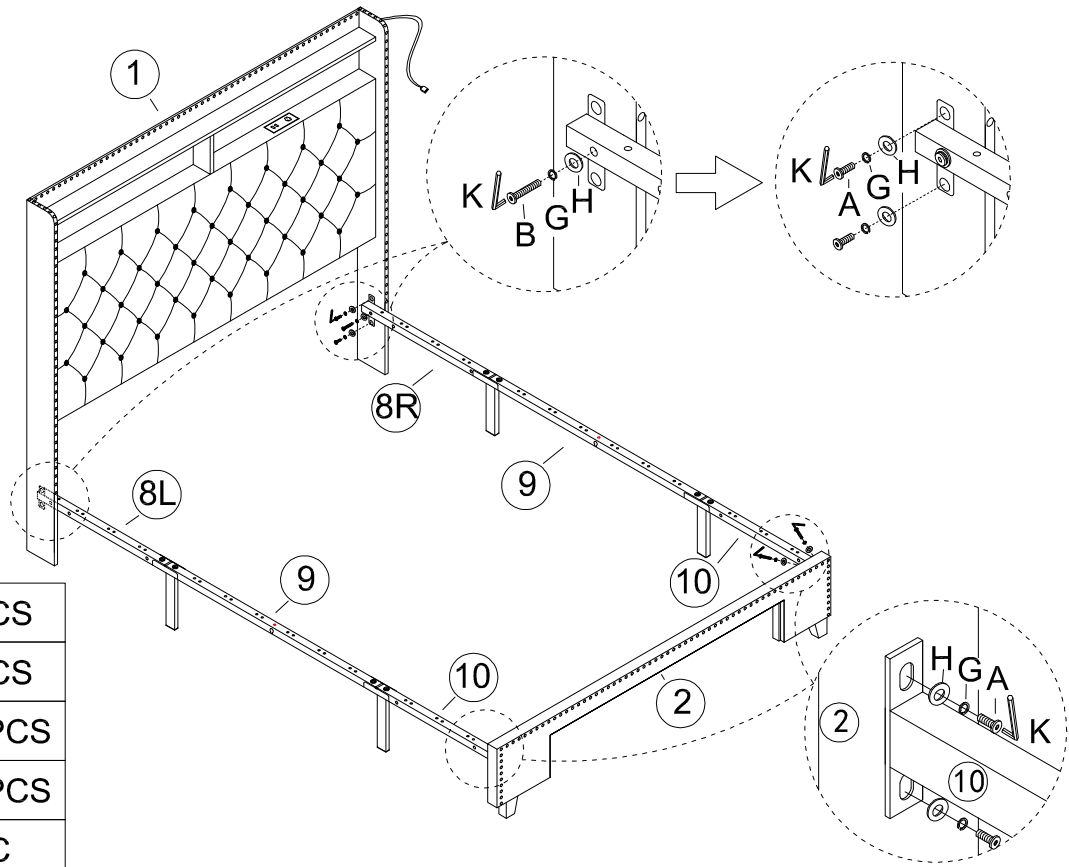
STEP 13



	B x 2PCS
	H x 2PCS
	G x 2PCS
	K x 1PC

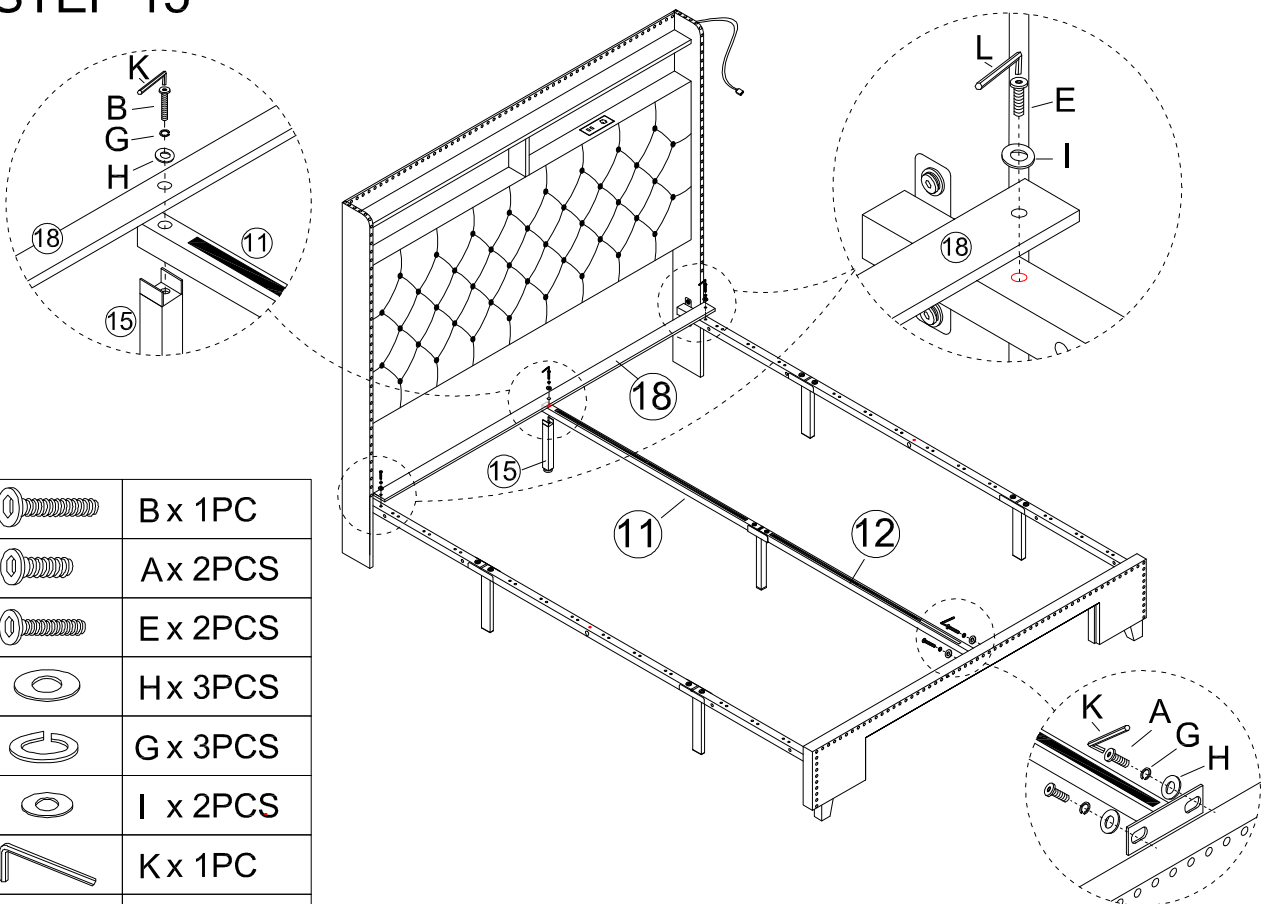
Assembly Steps(EN)

STEP 14



	A x 8PCS
	B x 2PCS
	H x 10PCS
	G x 10PCS
	K x 1PC

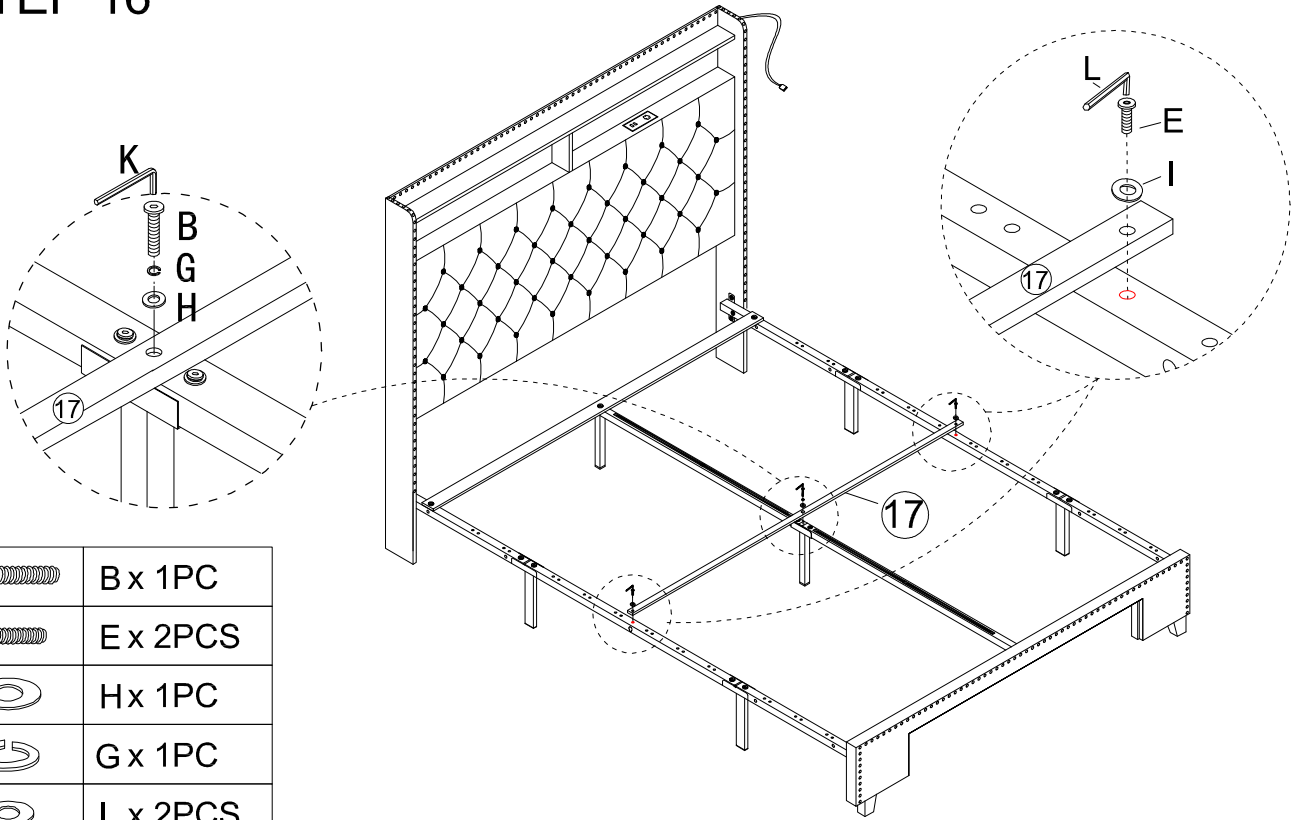
STEP 15


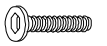







	B x 1PC
	A x 2PCS
	E x 2PCS
	H x 3PCS
	G x 3PCS
	I x 2PCS
	K x 1PC
	L x 1PC

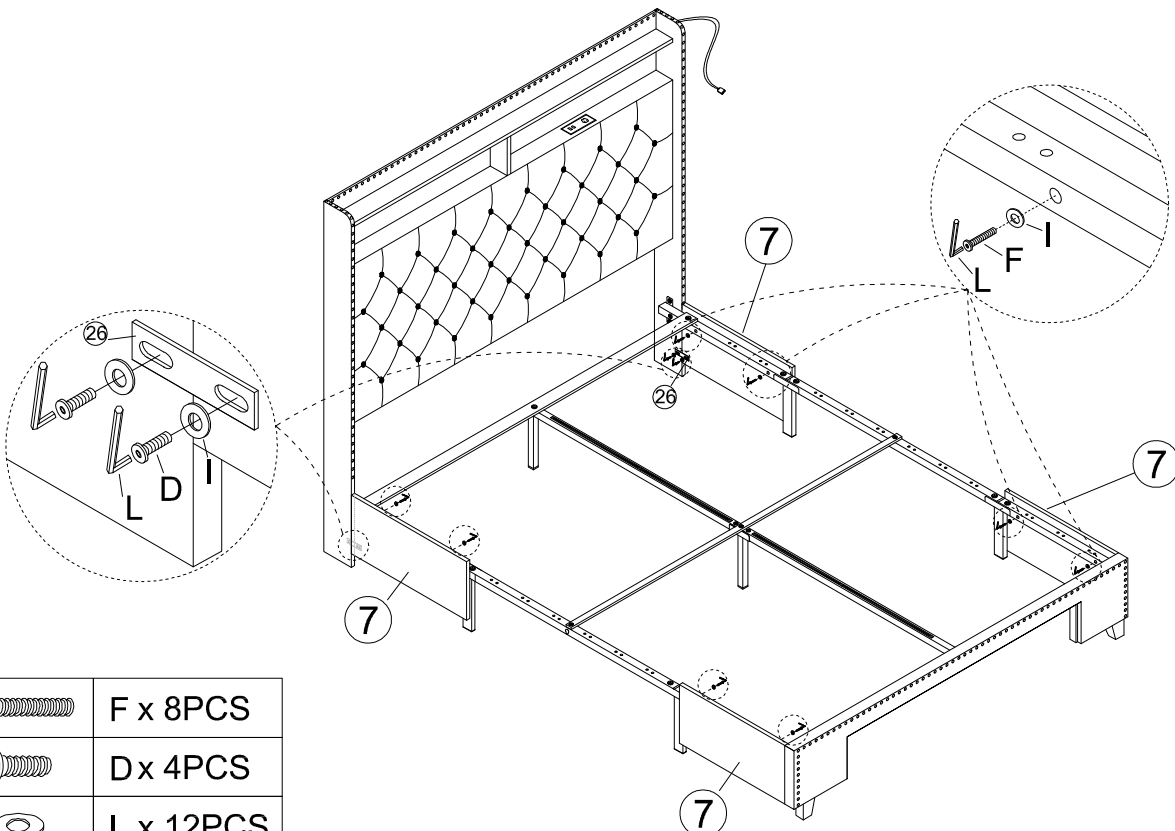
Assembly Steps(EN)





STEP 16



	B x 1PC
	E x 2PCS
	H x 1PC
	G x 1PC
	I x 2PCS
	K x 1PC
	L x 1PC

STEP 17



	F x 8PCS
	D x 4PCS
	I x 12PCS
	L x 1PC

