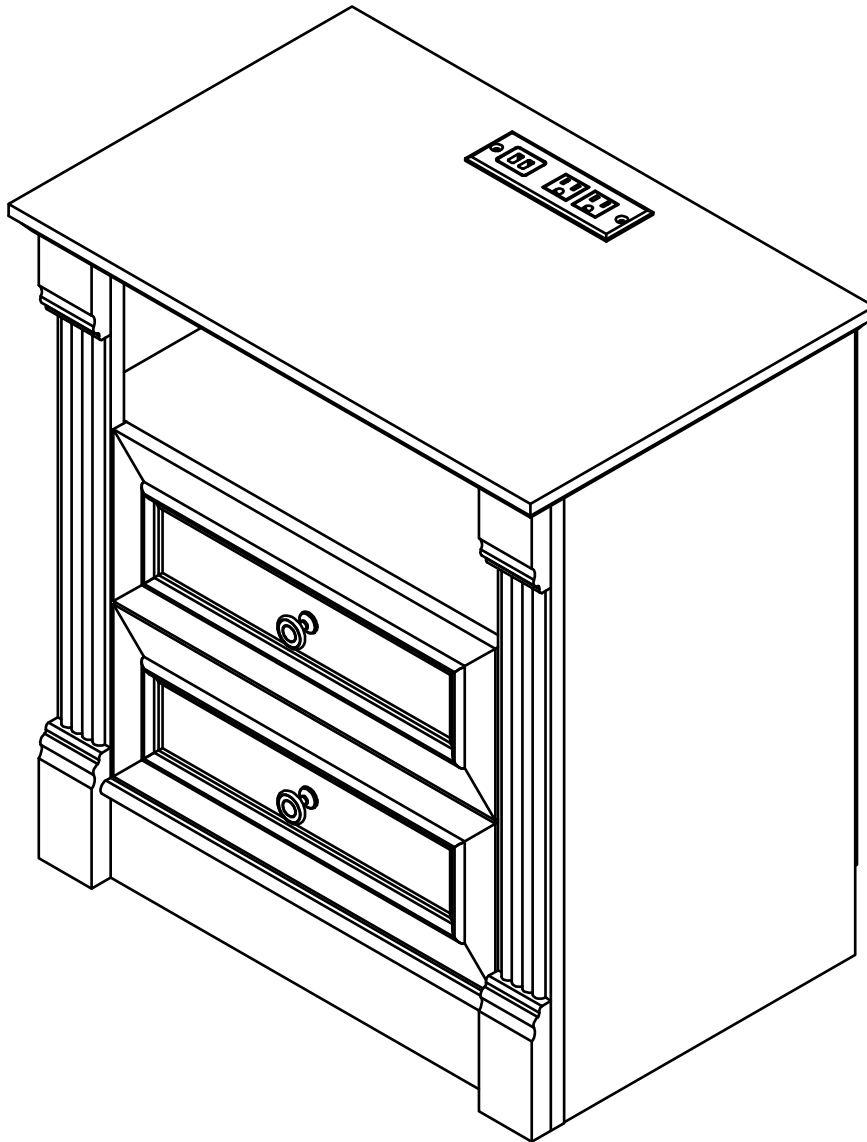
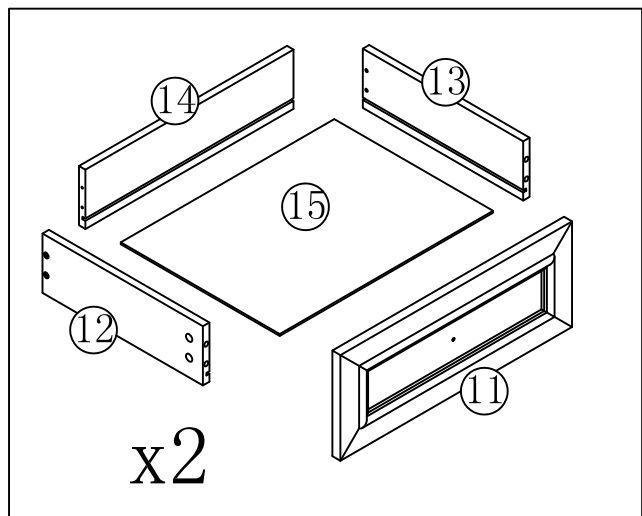
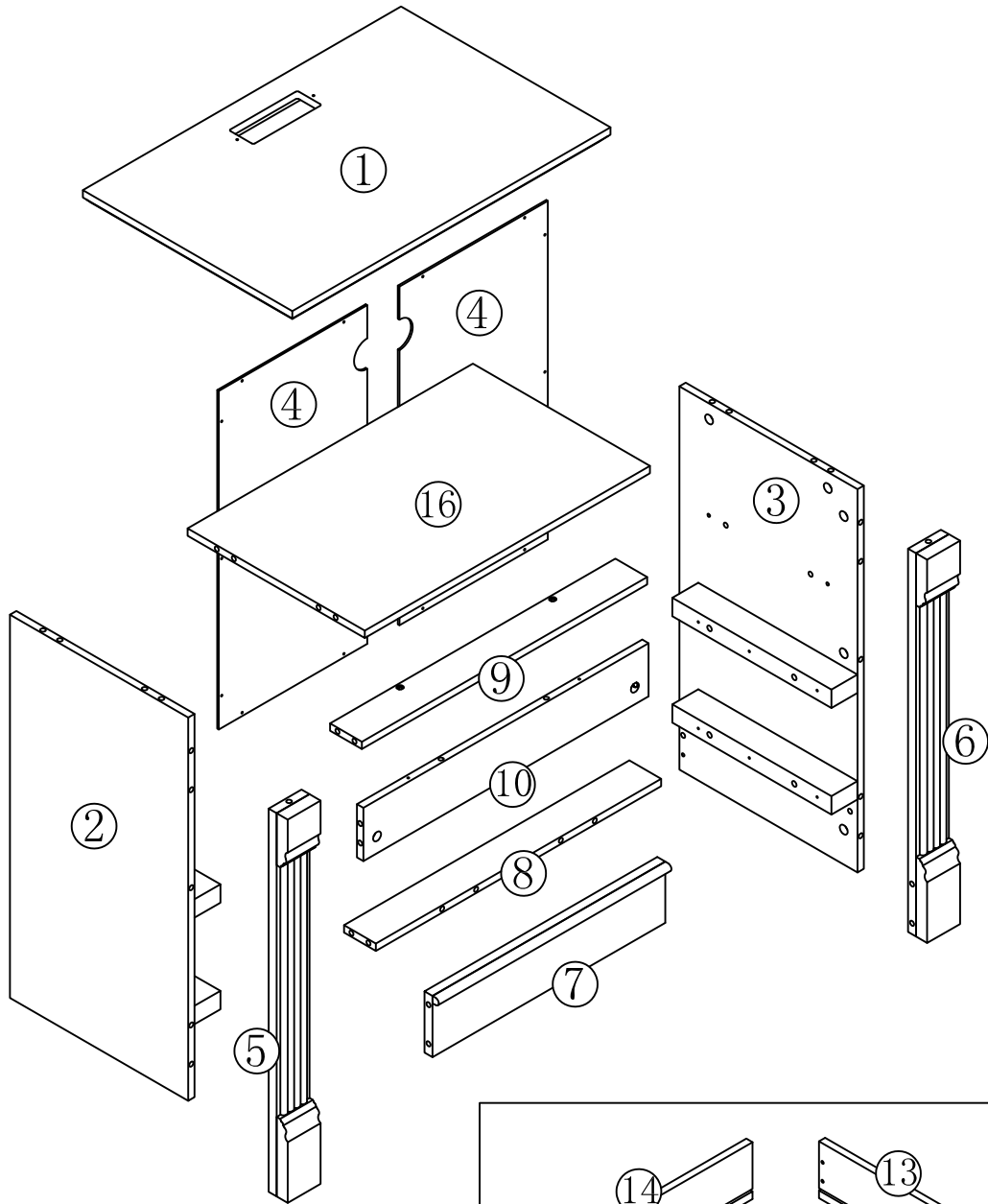


ASSEMBLY INSTRUCTIONS



PACKAGE INCLUDE

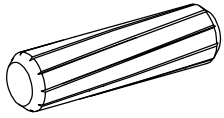


PACKAGE INCLUDE

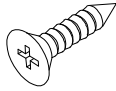
CODE	DESCRIPTION	QTY
1	Top Panel	1
2	Left Side Panel	1
3	Right Side Panel	1
4	Back Panel	2
5	Left Trim Panel	1
6	Right Trim Panel	1
7	Front Footboard	1
8	Front Bottom Panel	1
9	Rear Bottom panel	1
10	Back Footboard	1
11	Drawer Top Panel	2
12	Drawer Left Side Panel	2
13	Drawer Right Side Panel	2
14	Drawer Back Panel	2
15	Drawer Bottom Panel	2
16	Middle Plate	1

PACKAGE CONTENT

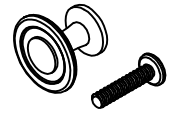
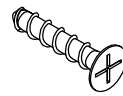
φ6X30MM



φ3.5X12MM



4X35MM



A

28X+1

B

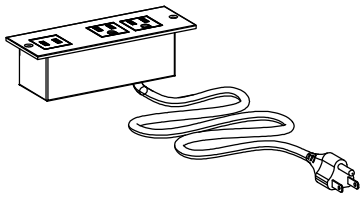
20X+1

C

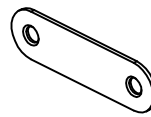
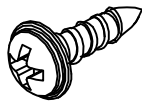
10X+1

D

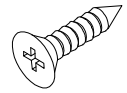
2X



φ3X12MM



φ3X12MM



E

1X

F

18X+1

G

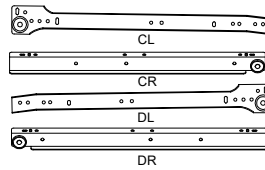
2X

H

2X



φ 15X10MM



J

30X+2

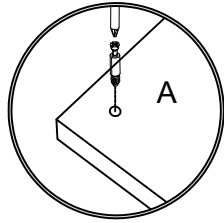
K

30X+2

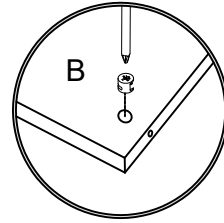
L

2X

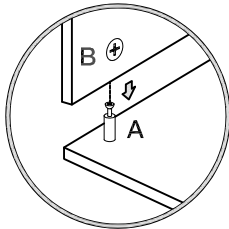
How to use the cam lock system



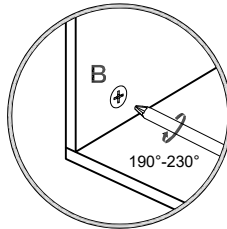
1. Screw cam bolt into panel



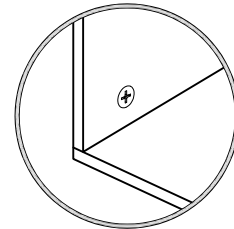
2. Push cam into panel - arrow feature on cam top points to panel edge



3. Align cam bolt(s) with cam(s) and insert all the way into cross-bored hole(s)

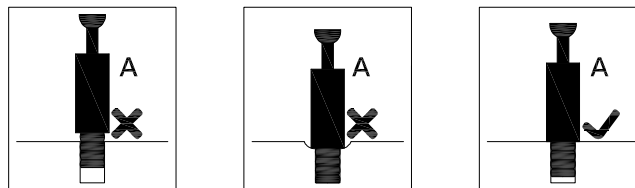
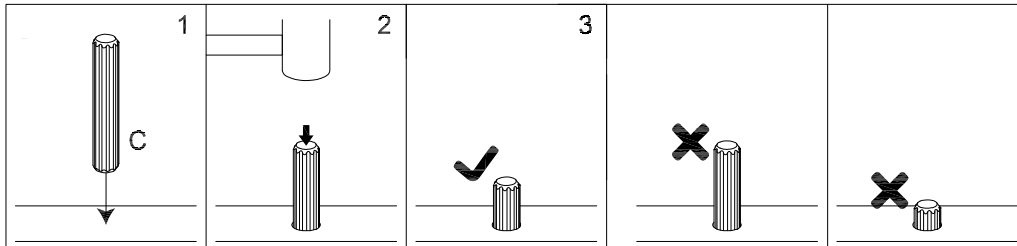


4. Rotate cam(s) clockwise 190°-230° to lock panels together



5. Panels should be tight against each other and connection should be rigid

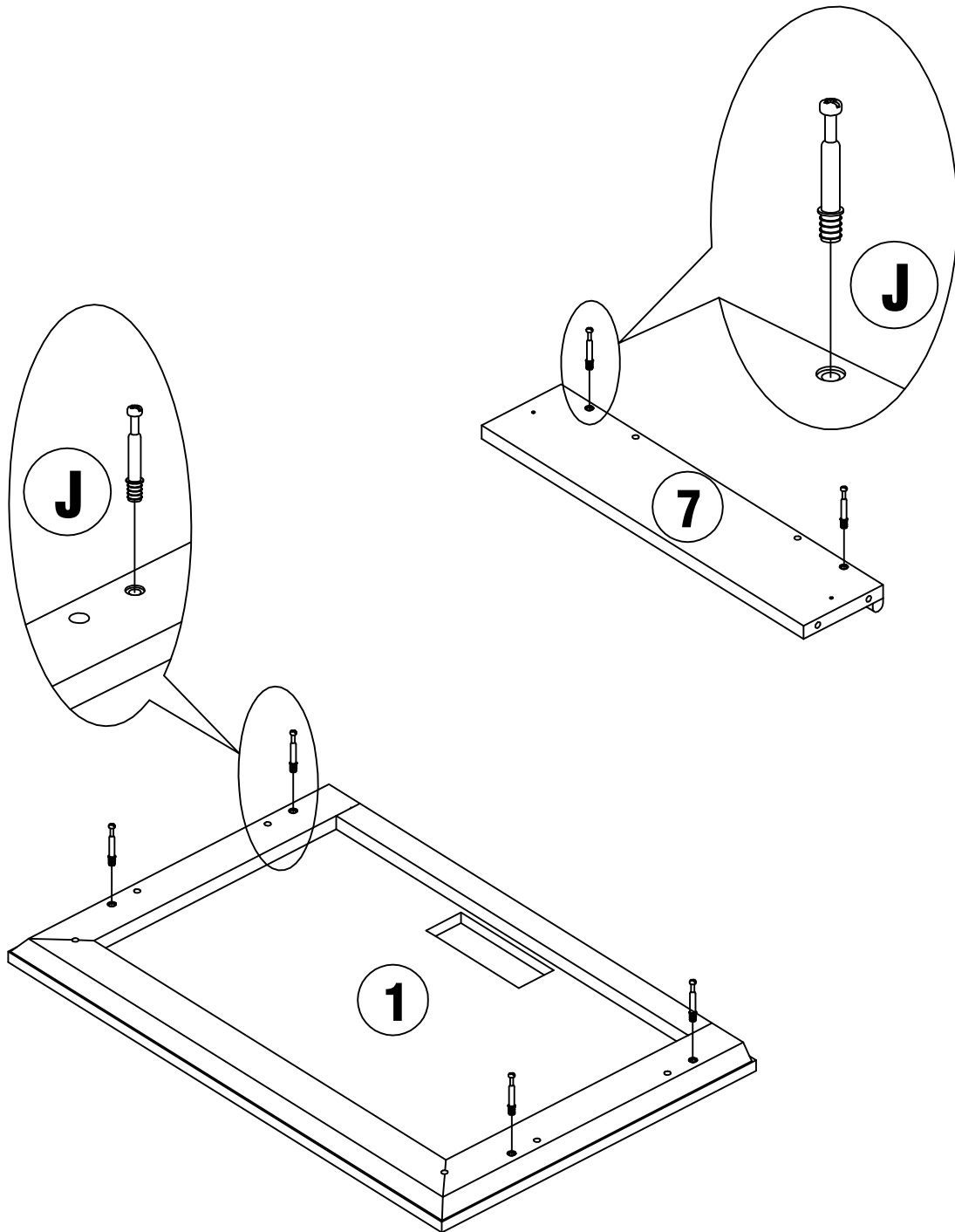
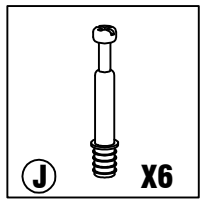
Insert the wood dowel [C] at least half way by tapping lightly with a rubber mallet, IF NECESSARY.



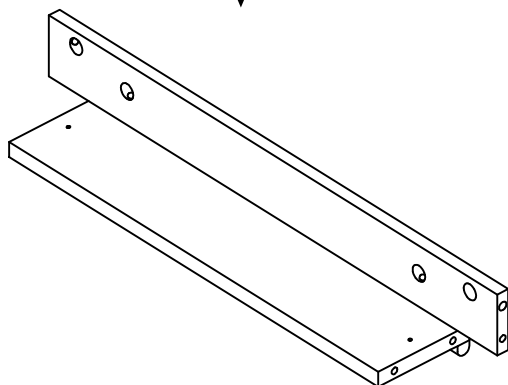
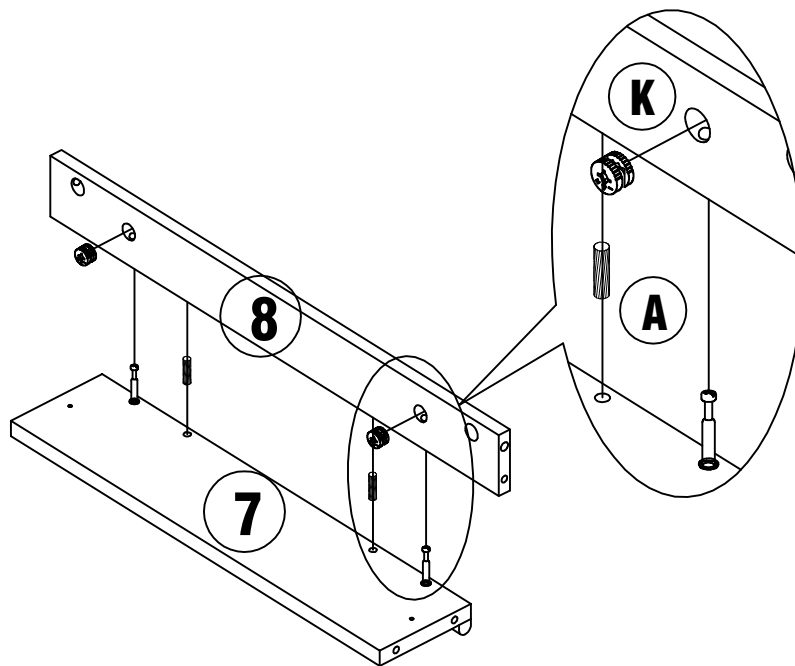
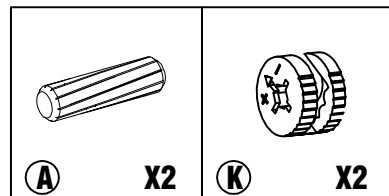
⚠ WARNING

- Unit must be placed on a level surface or leveled with included hardware (when applicable).
- Do not sit or stand on or allow children to climb, sit or stand on the assembled product.
- For safety reasons, it is imperative that this unit be mounted to the wall.
- Do not use without installing the tip restraint.
- Unit can tip over causing severe injury or death.
- Do not exceed the recommended weight limits.
- Evenly distribute the weight on each level and always keep the heavier loads on the bottom.
- Before cutting, drilling or hammering into any wall or floor surface, verify the location of electrical, plumbing and gas lines. Cutting may cause serious injury.

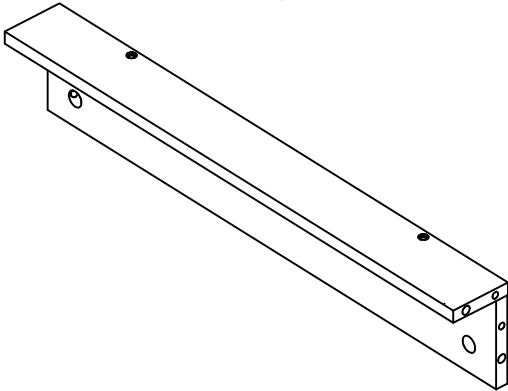
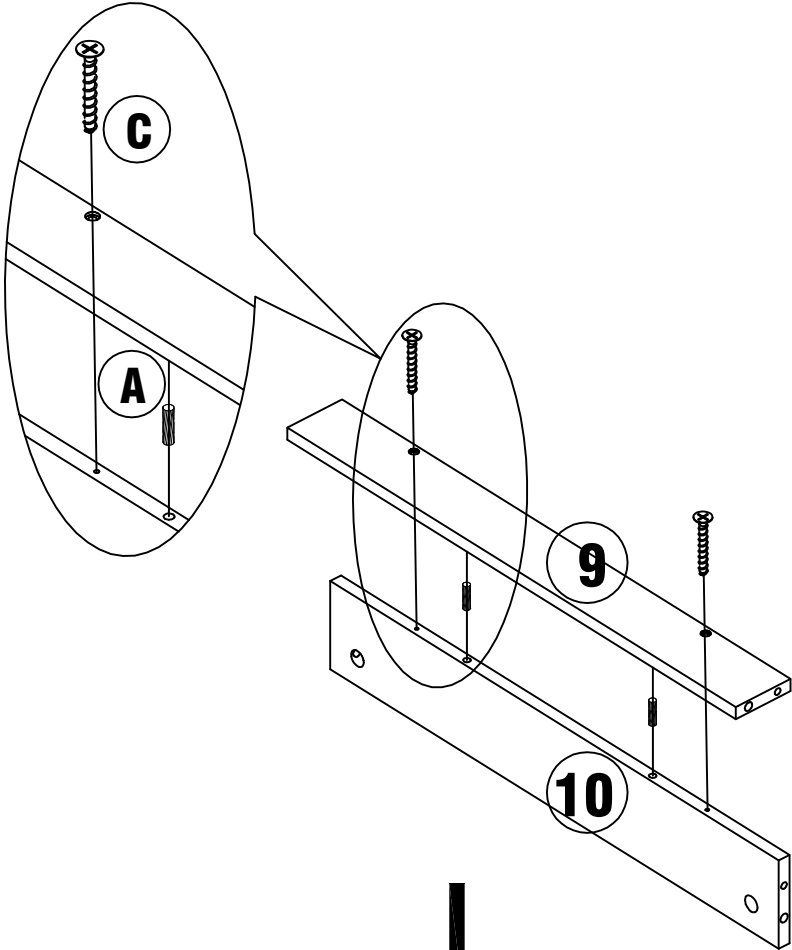
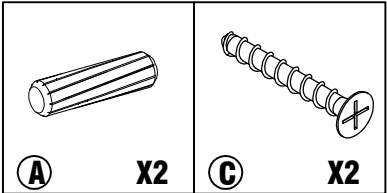
STEP 1



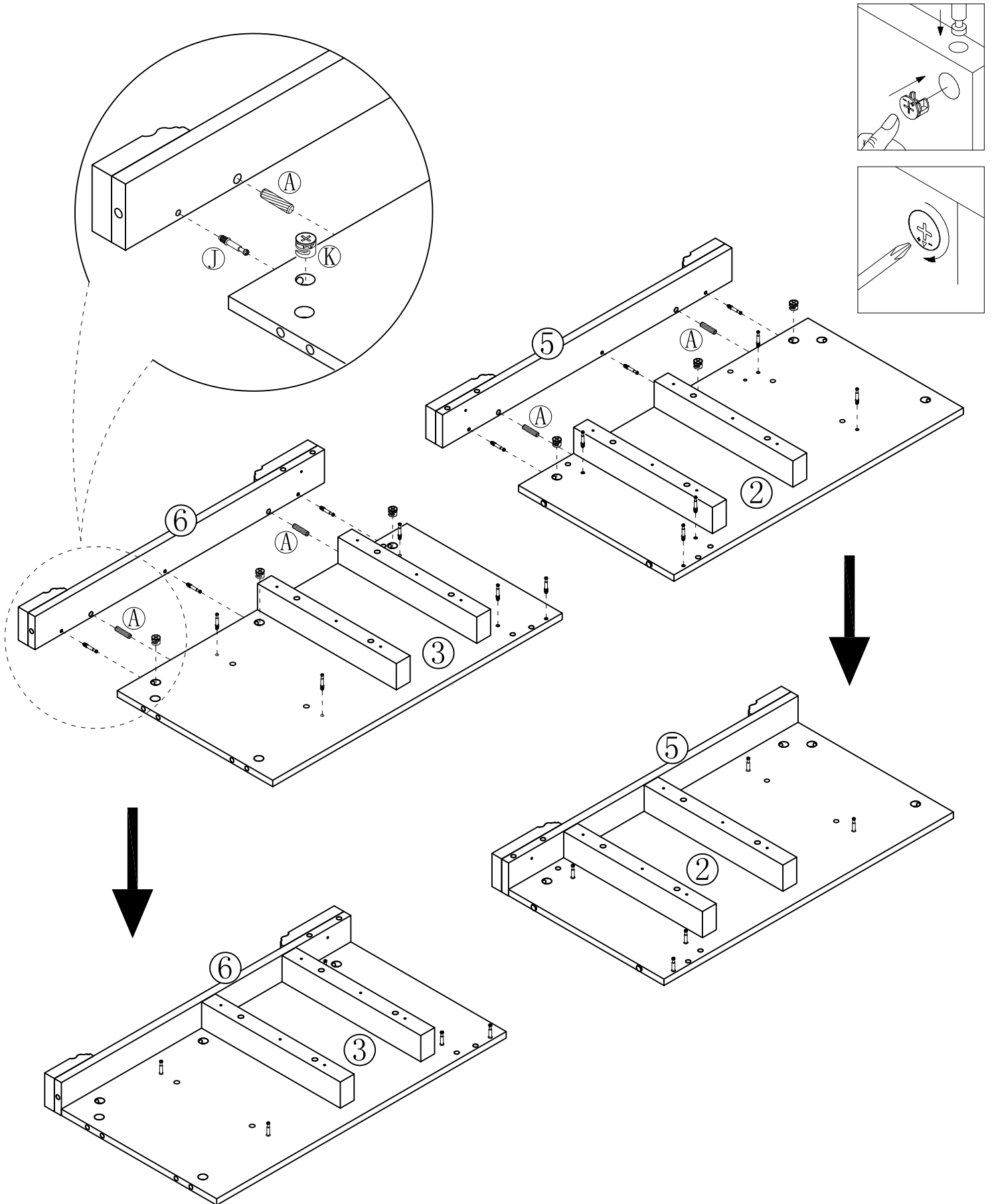
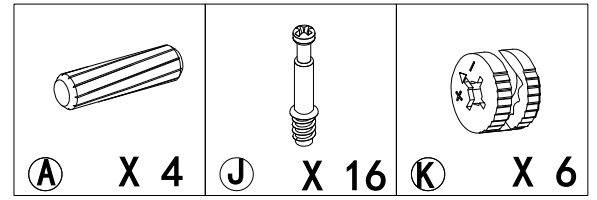
STEP 2



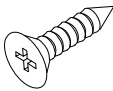
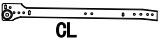
STEP 3

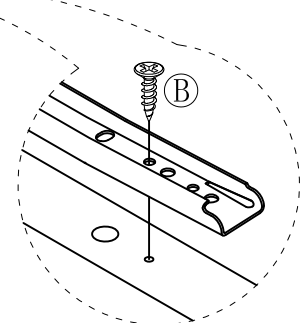
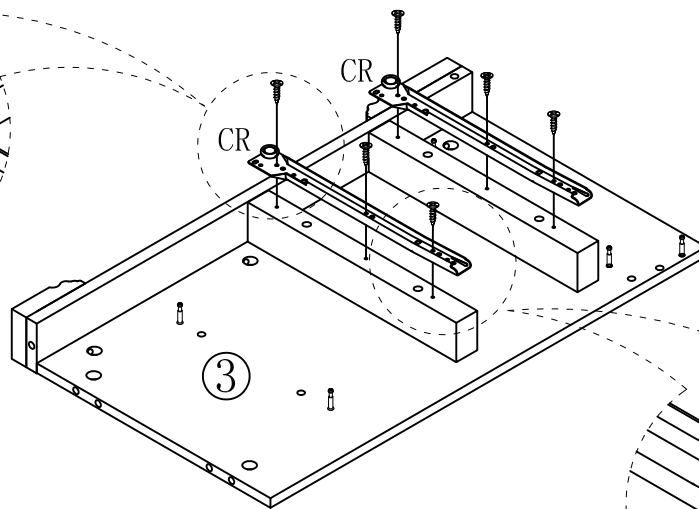
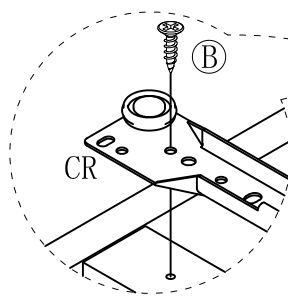
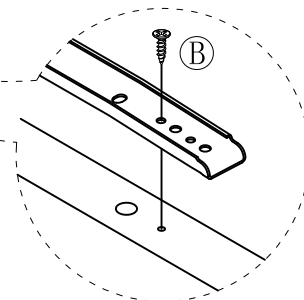
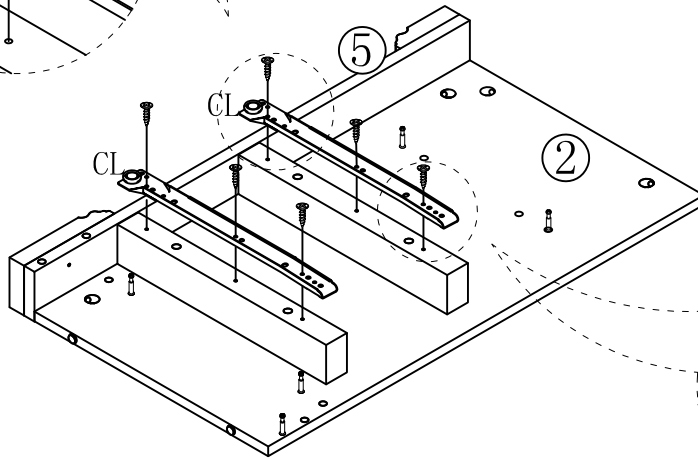
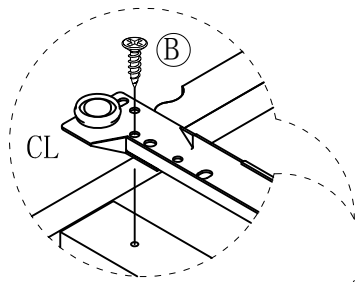
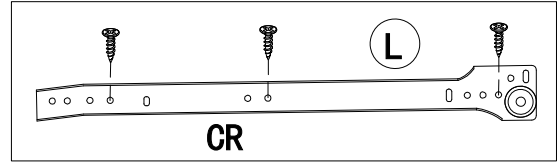
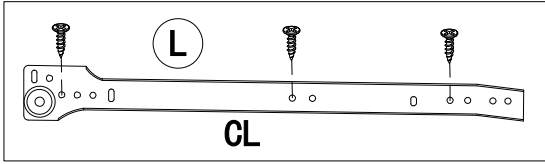


STEP 4





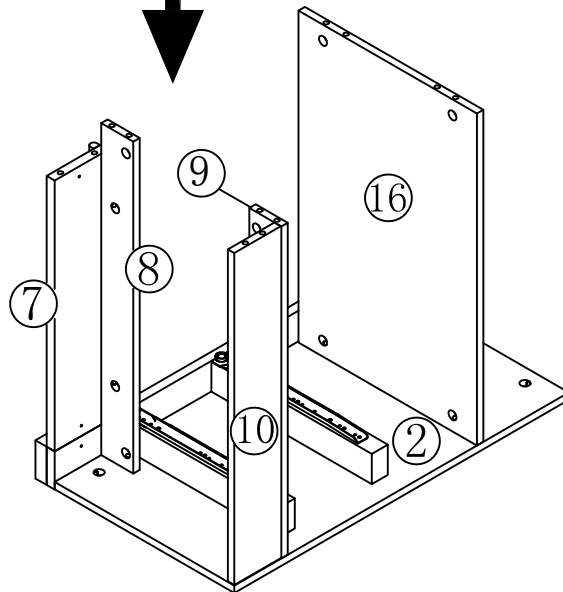
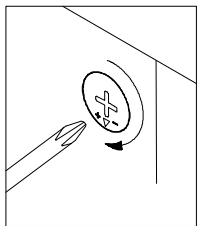
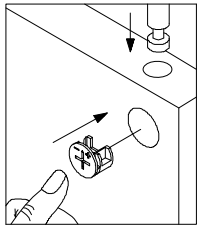
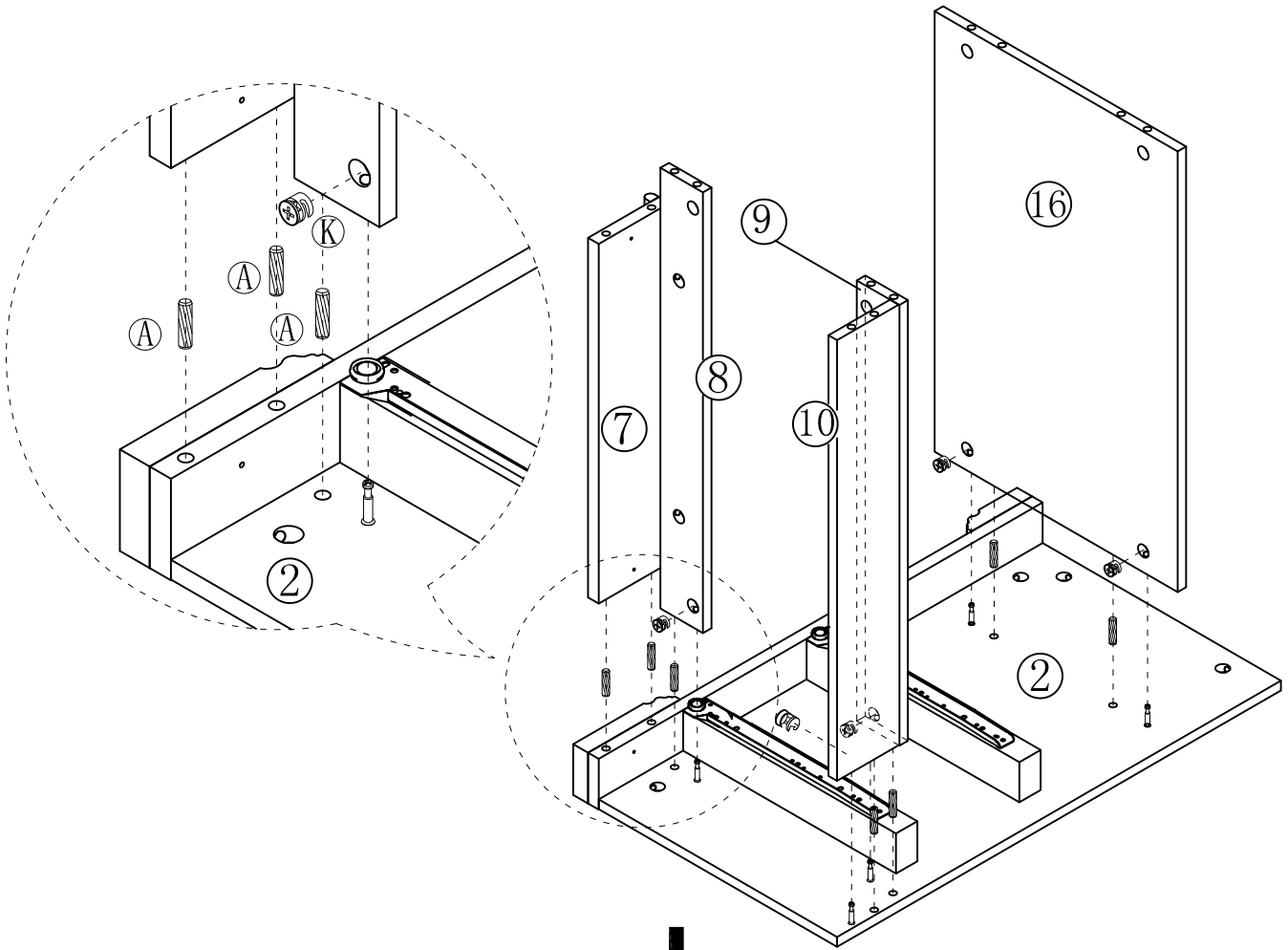
STEP 5

	
(B) X 12	(L) X 2

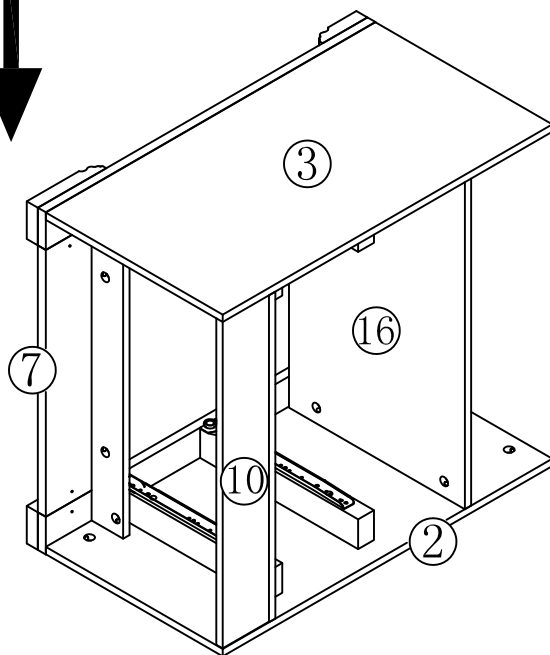
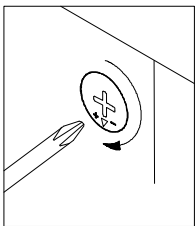
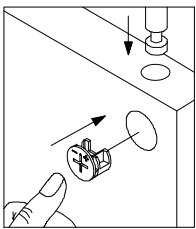
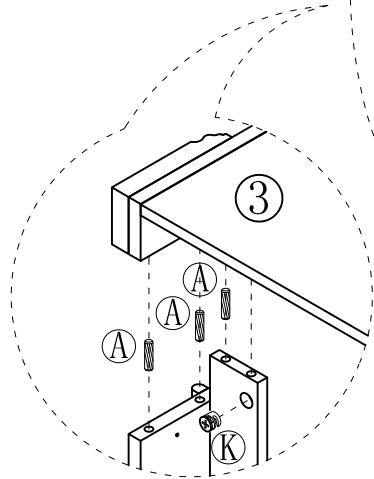
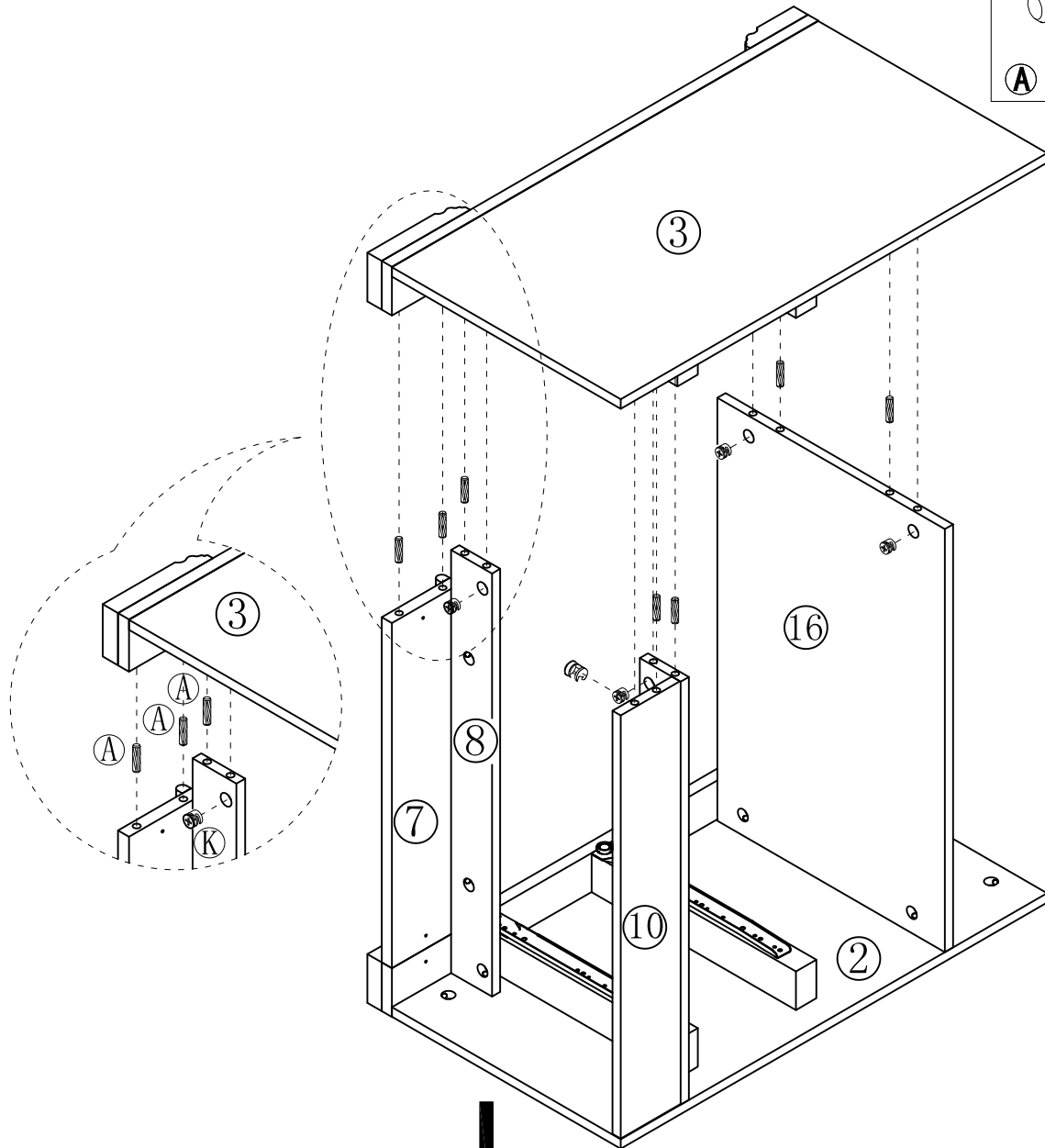
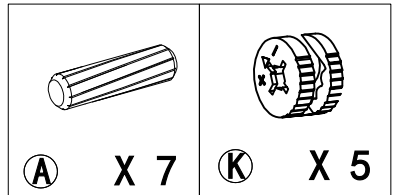


STEP 6

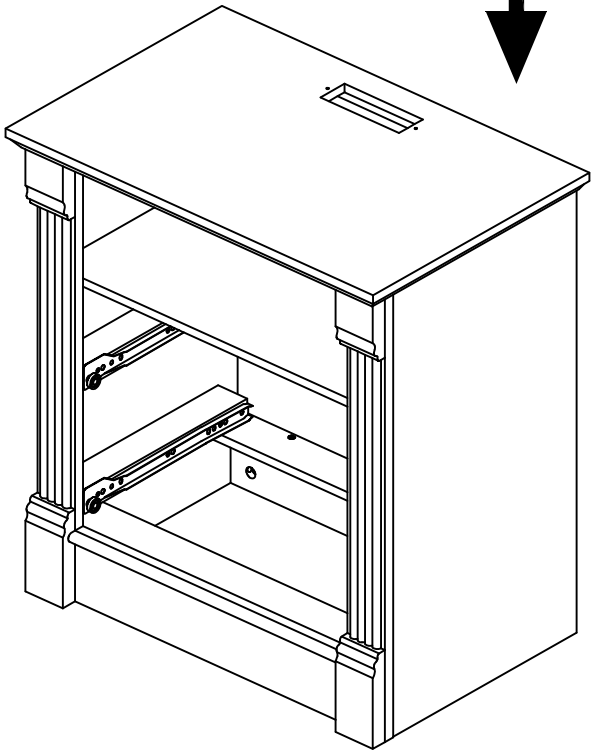
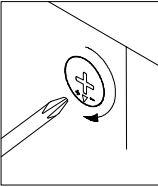
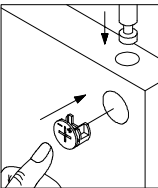
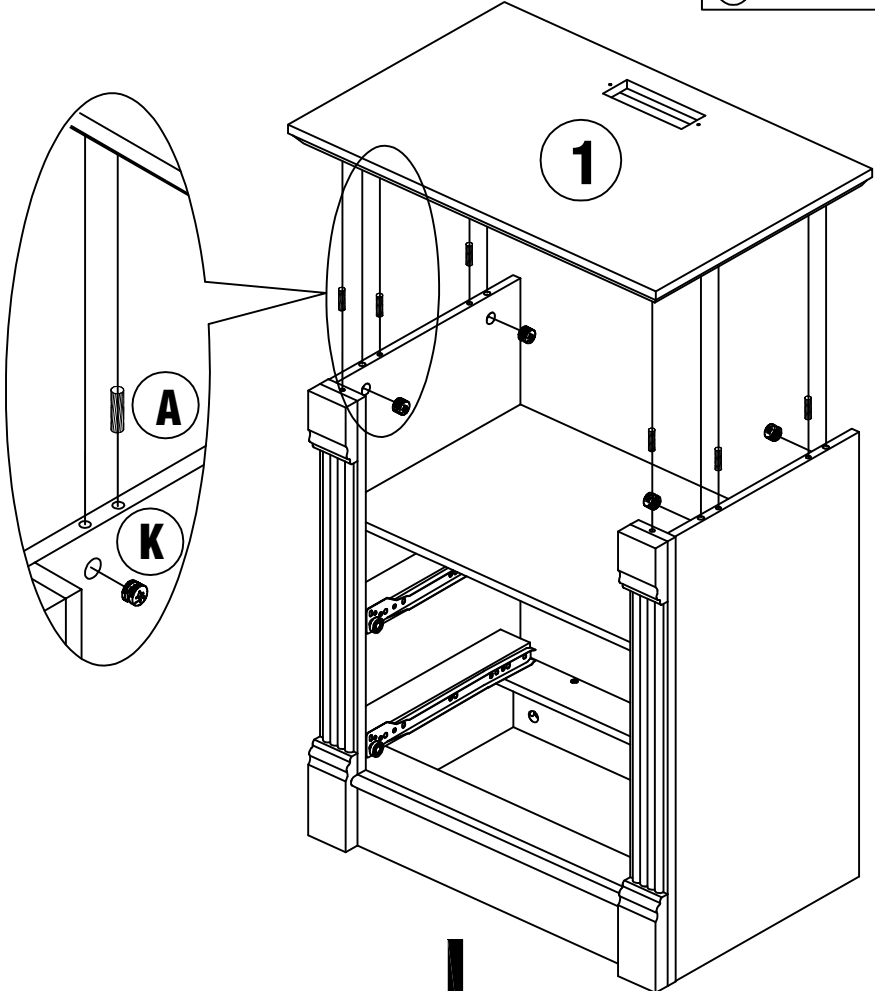
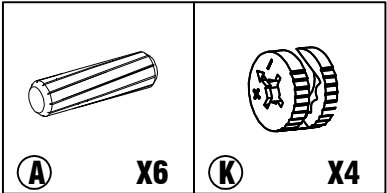
	
A X 7	K X 5





STEP 7

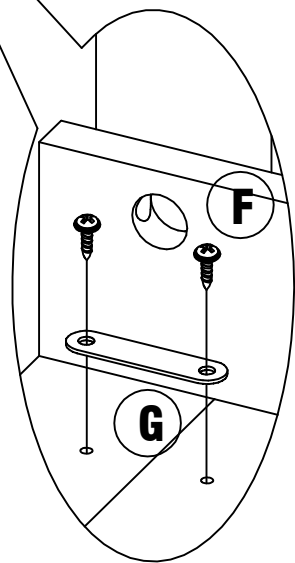
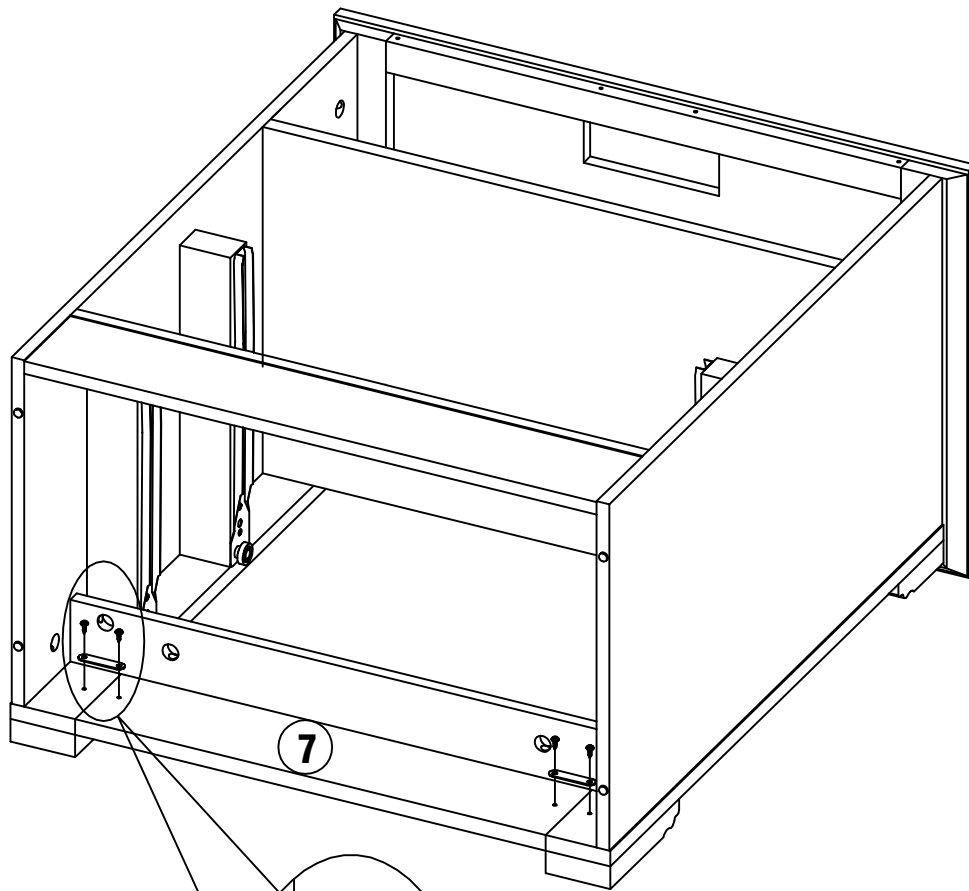


STEP 8

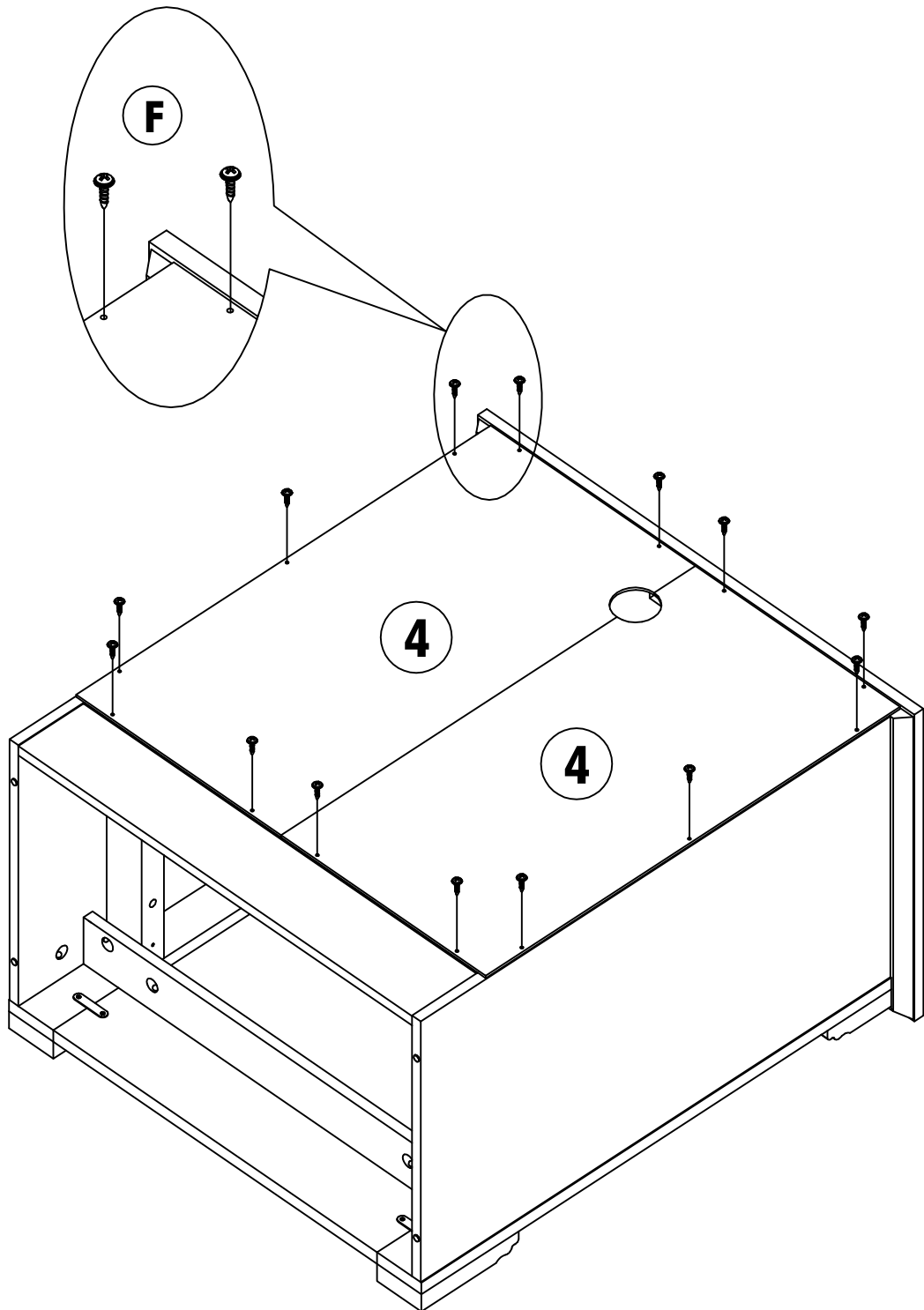
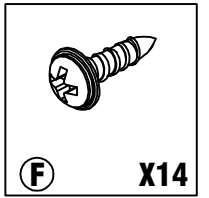


STEP 9

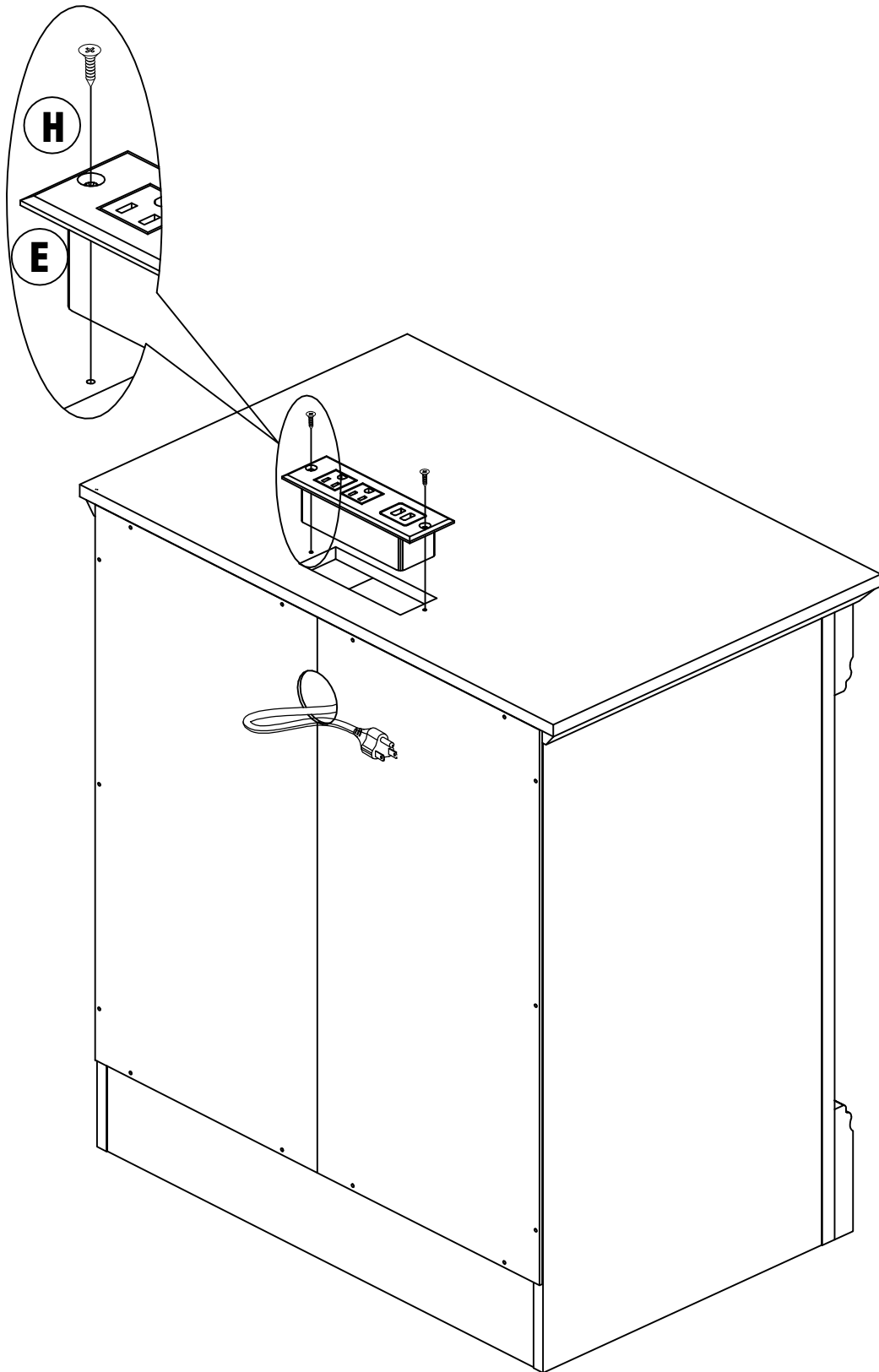
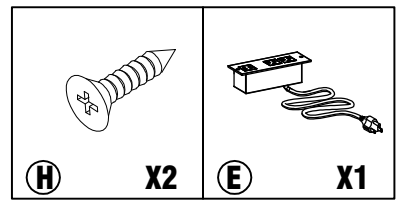
	
F	X4
G	X2



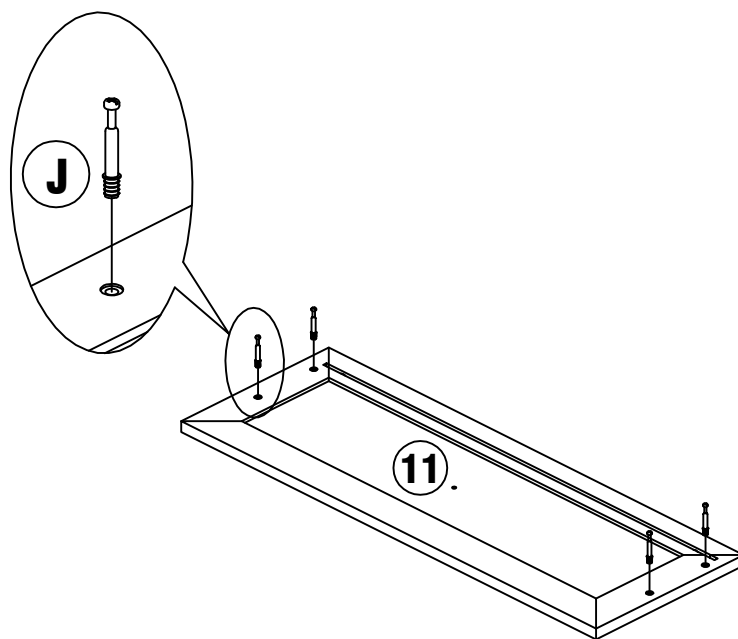
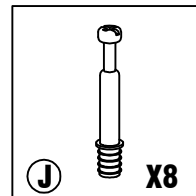
STEP 10



STEP 11

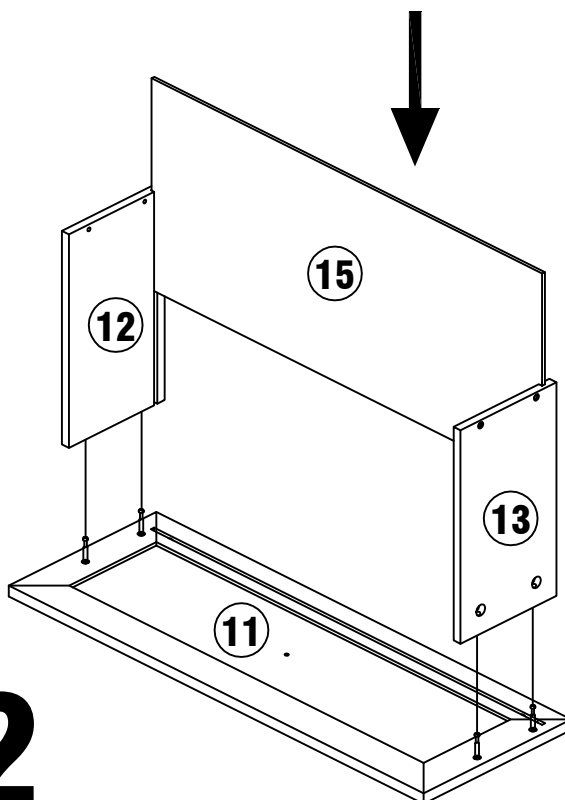


STEP 12



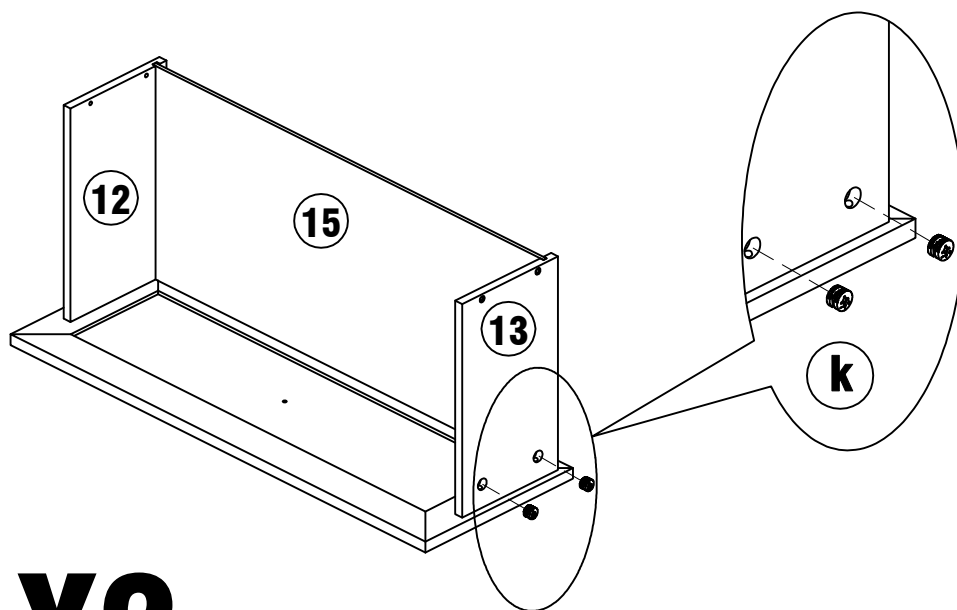
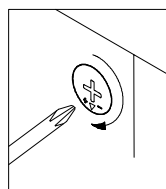
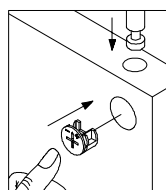
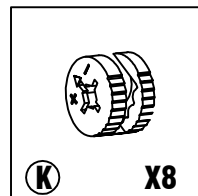
X2

STEP 13



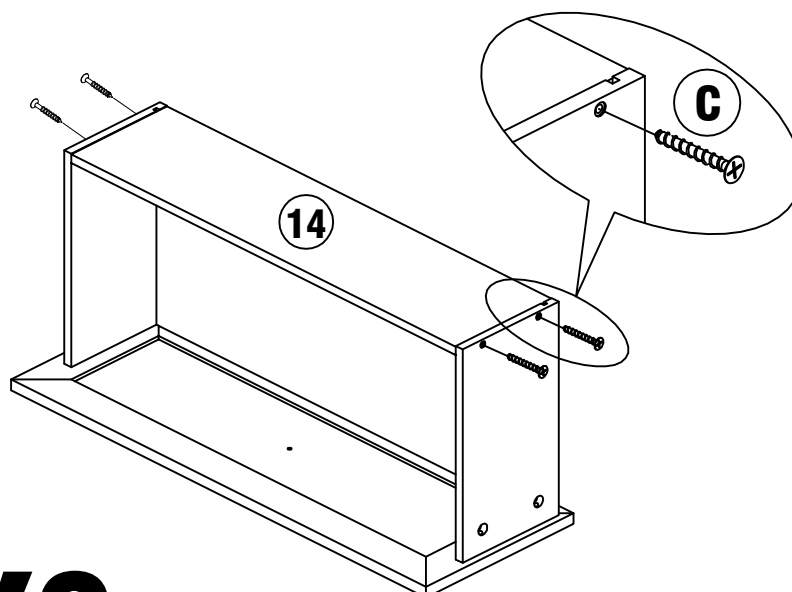
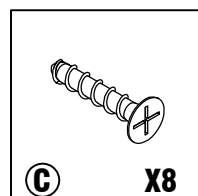
X2

STEP 14



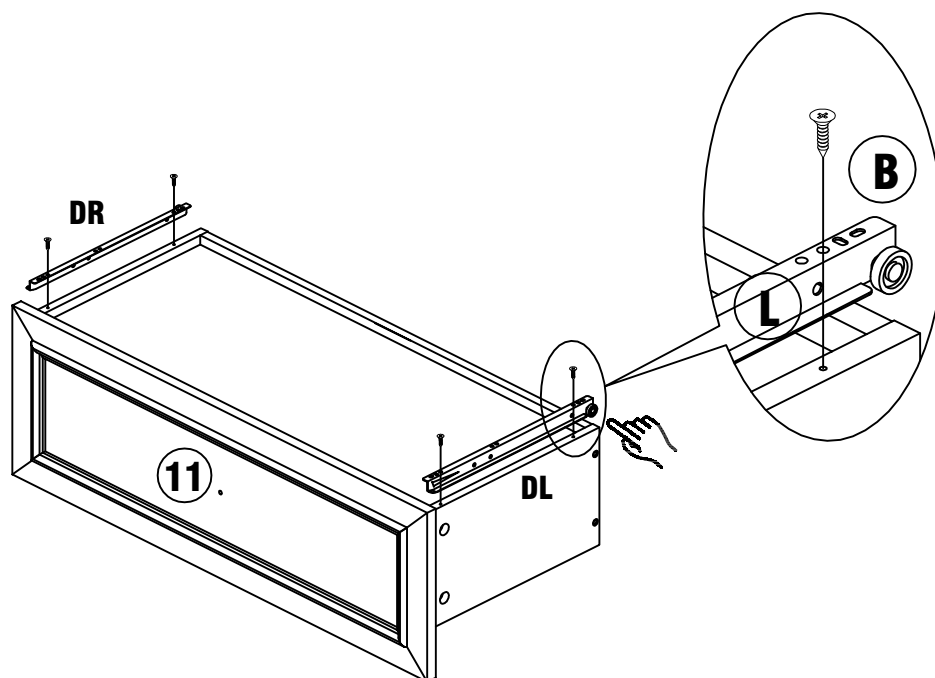
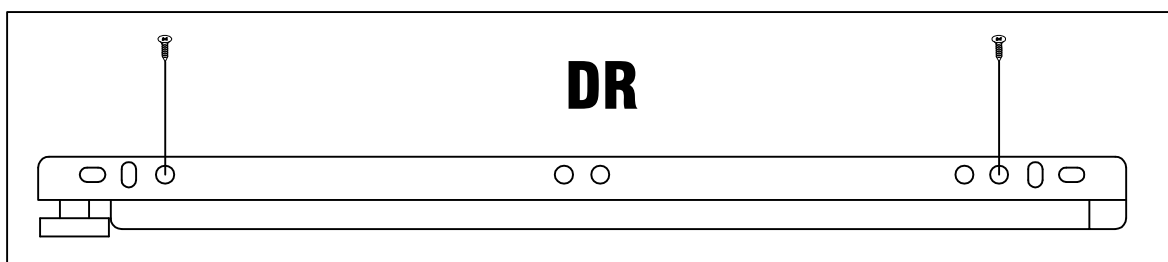
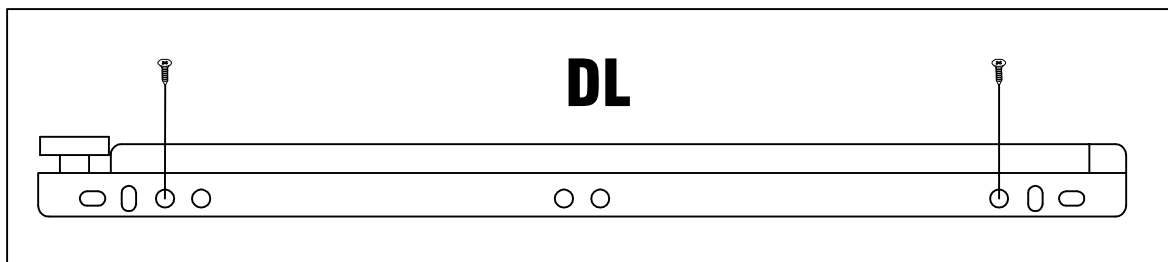
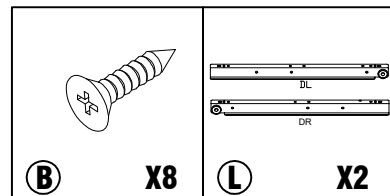
X2

STEP 15



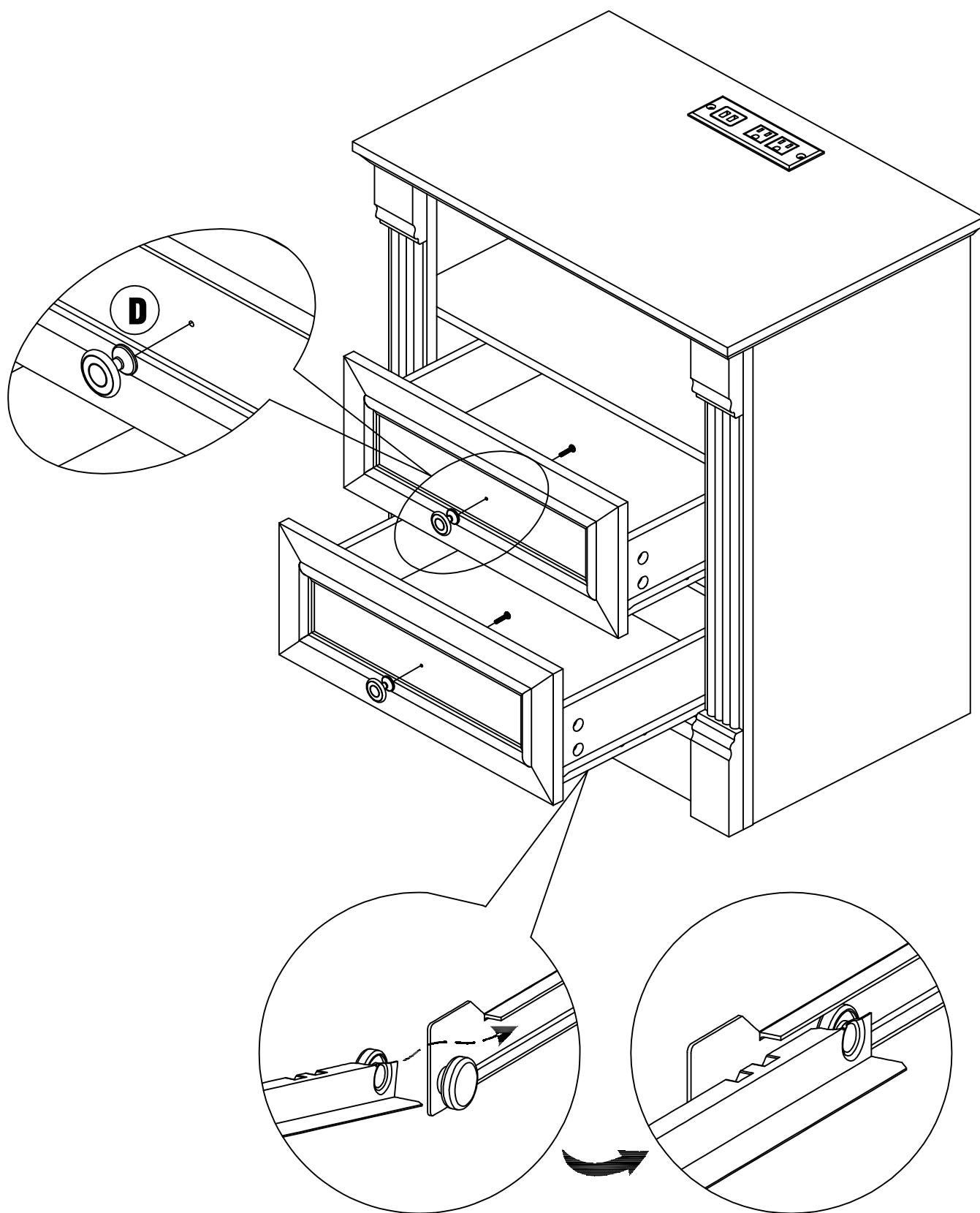
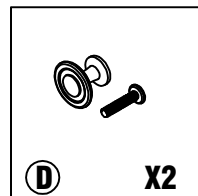
X2

STEP 16



X2

STEP 17



STEP 18

