

Lift Top Coffee Table

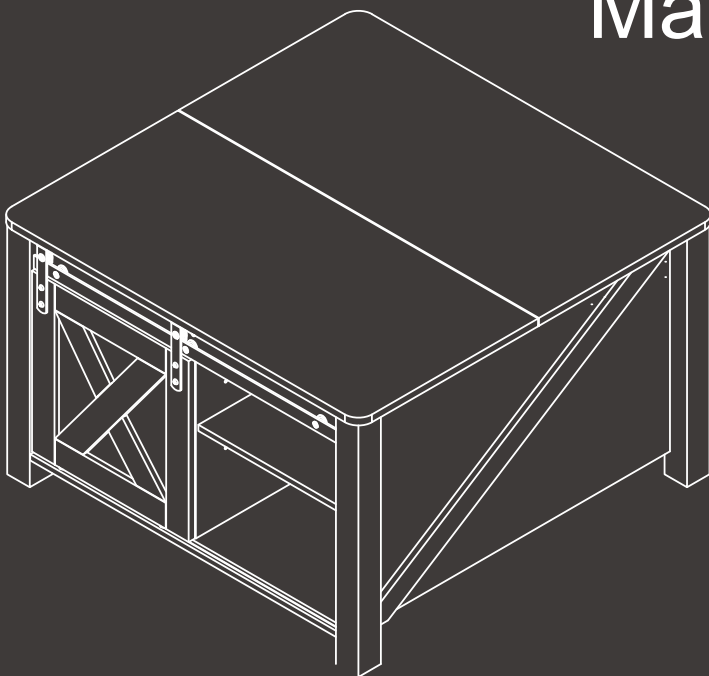
Instruction Manual

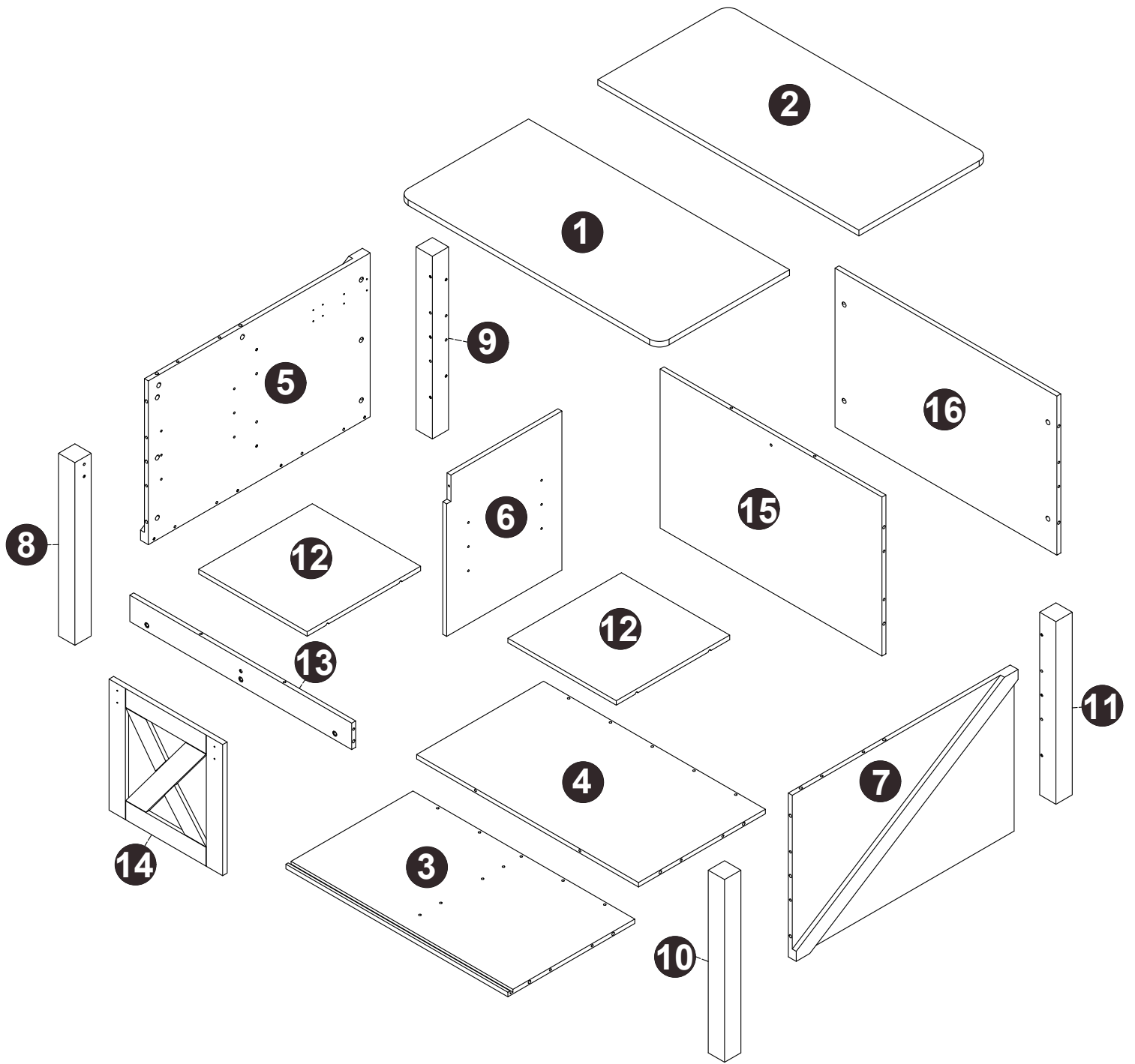
Mesa de Café Elevable

Manual de instrucciones

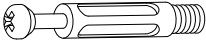
Table Basse à Plateau Relevable

Manuel d'Instruction





A X34



M6 x 35mm

B X42



M6 x 30mm

C X34



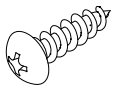
M12mm

D X10



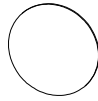
M5 x 50mm

E X28



M4 x 12mm

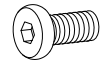
F X34



G X8



H X4



M6 x 10mm

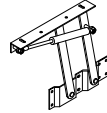
I X1



J X2



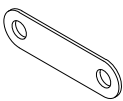
K X1



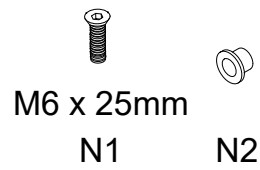
L X1



M X2



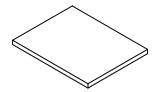
N X3



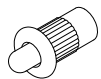
O X1



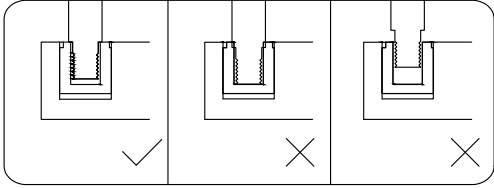
P X4






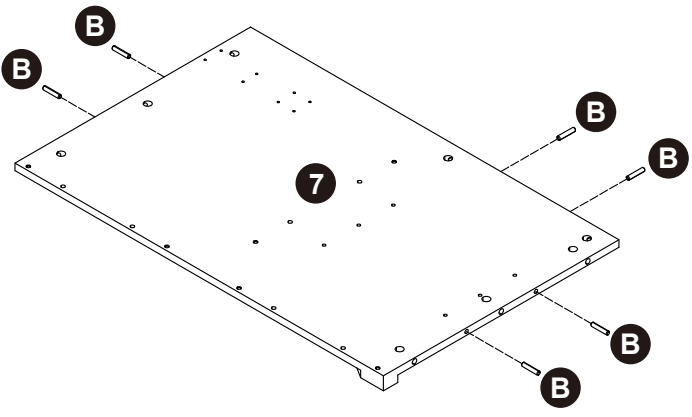
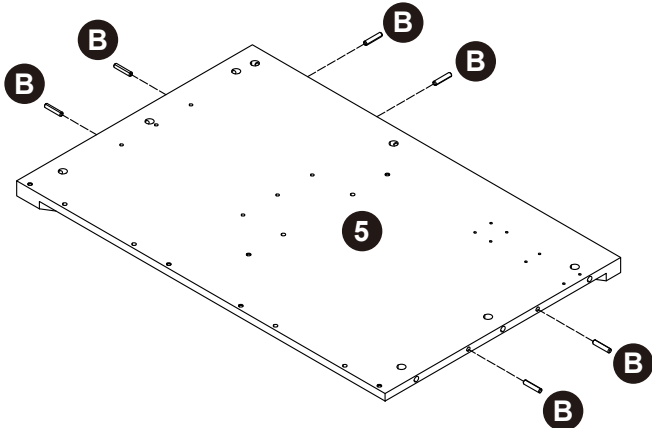
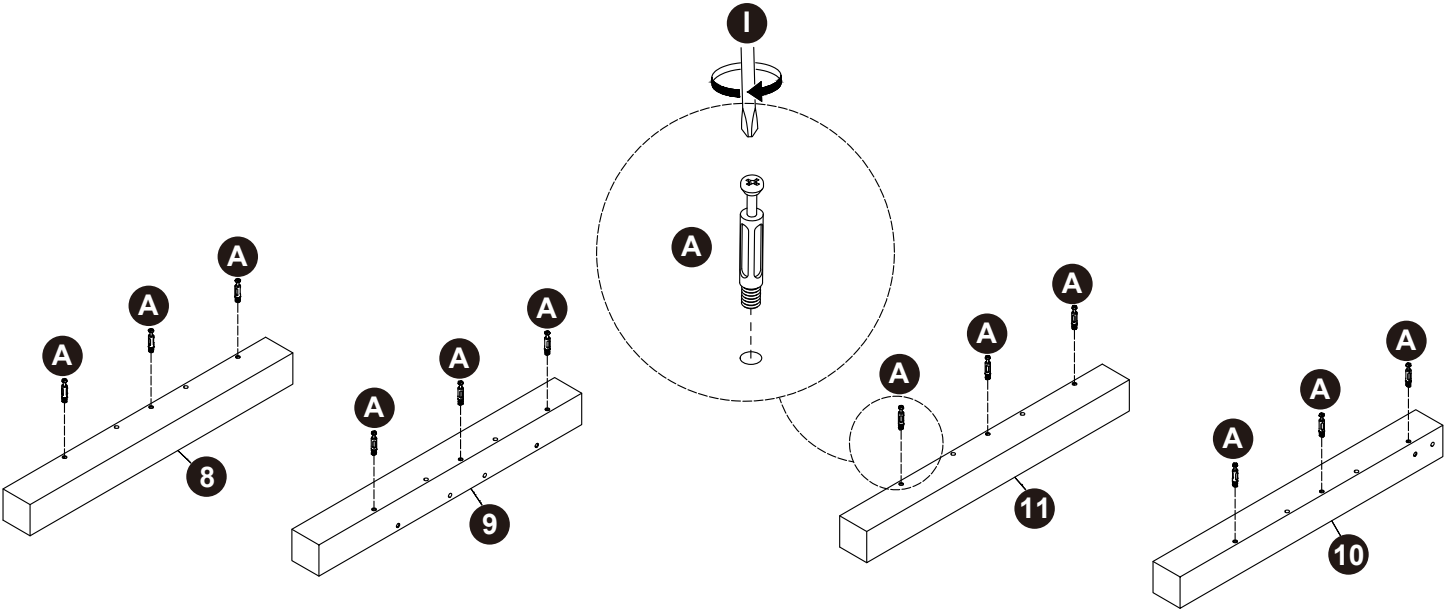
Q X2



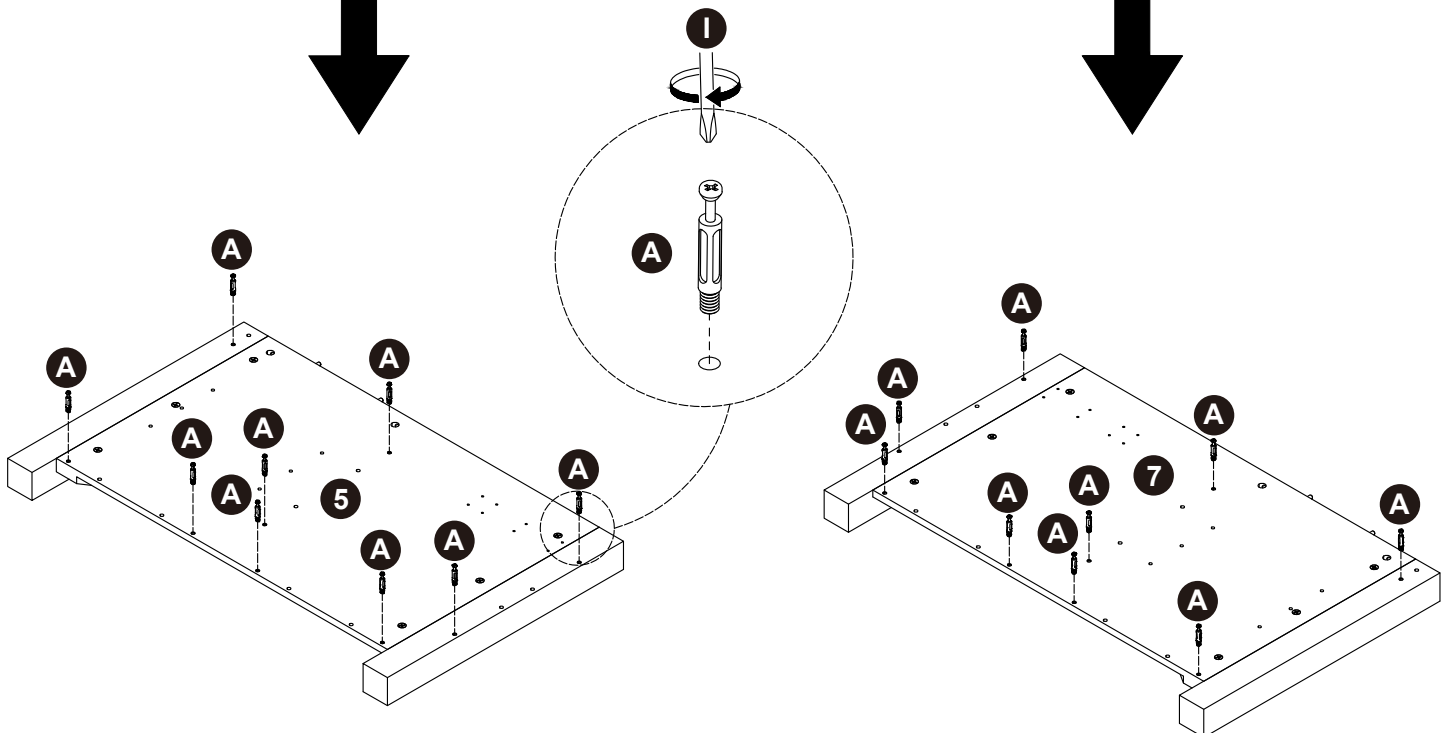
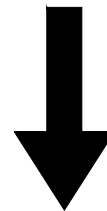
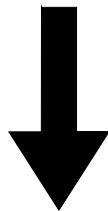
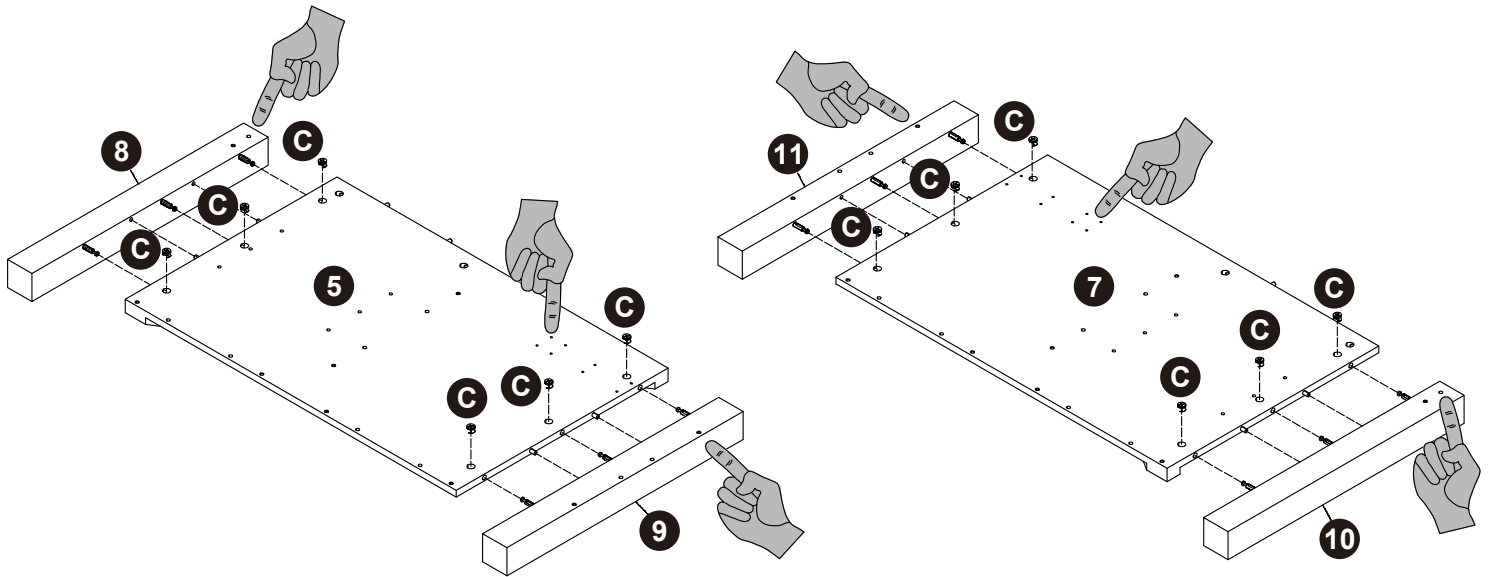
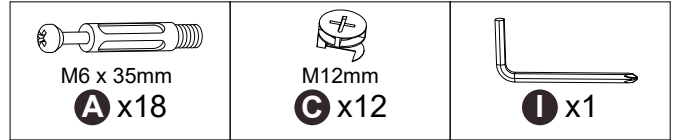
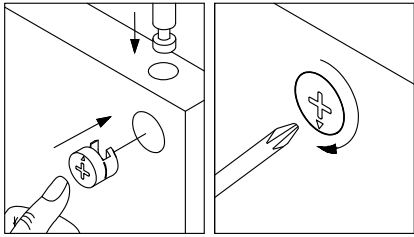
Step 1



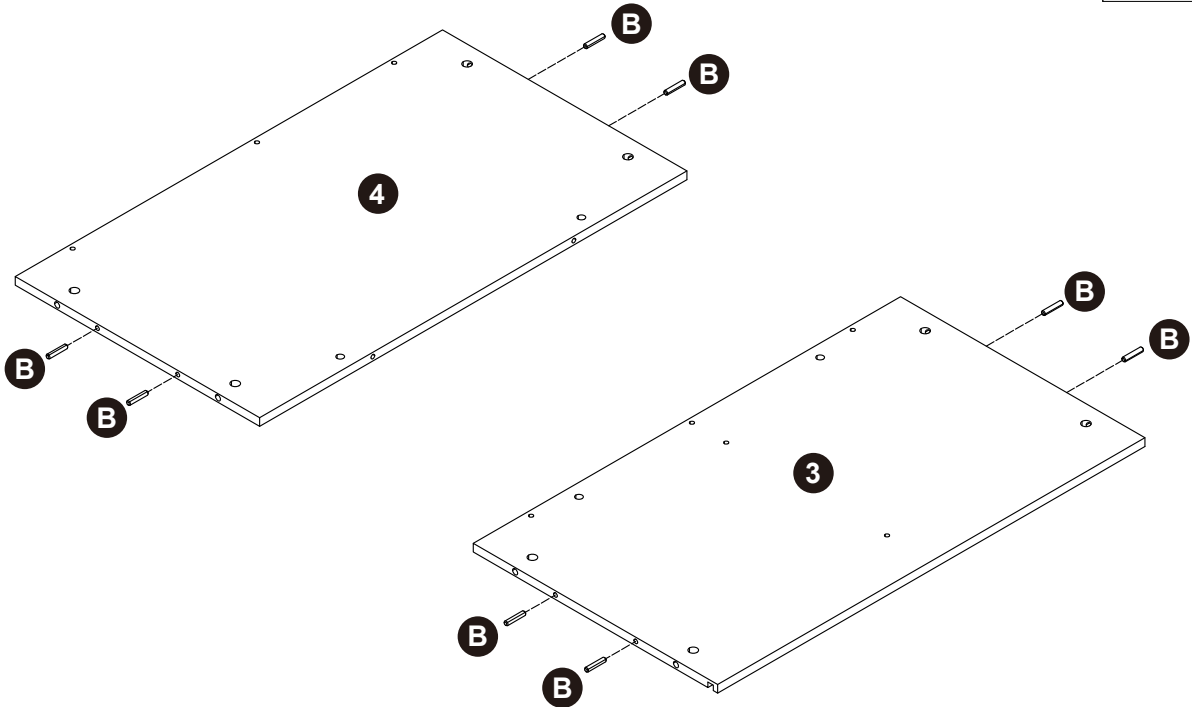
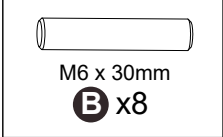
 M6 x 35mm A x12	 M6 x 30mm B x12	 I x1
---	--	--



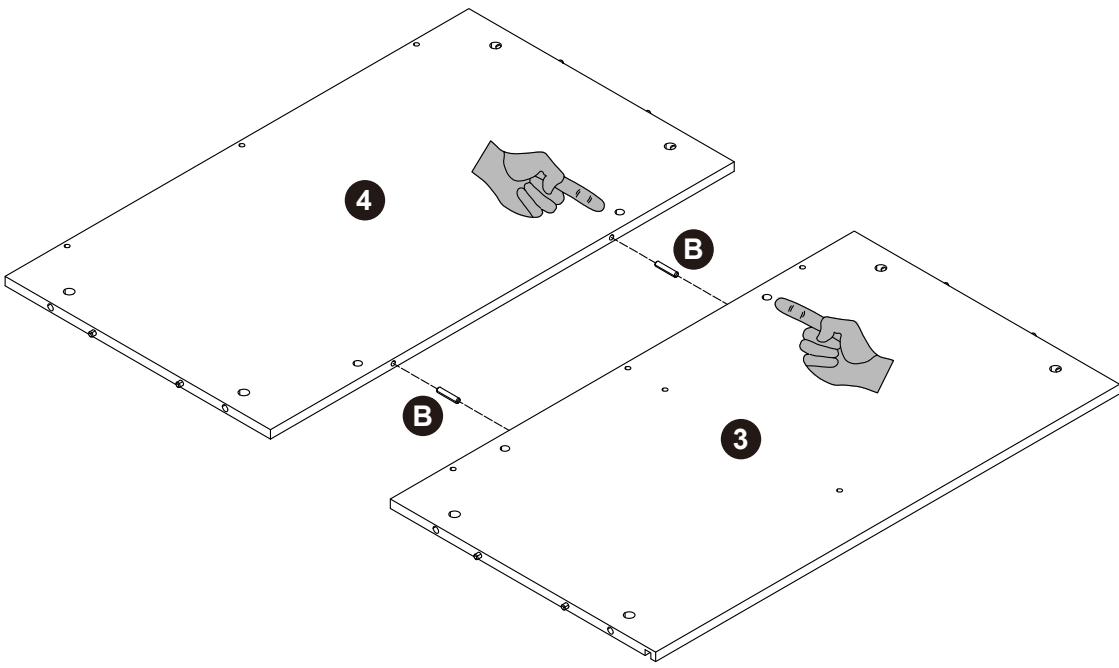
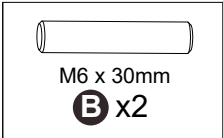
Step 2



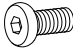
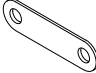

Step 3

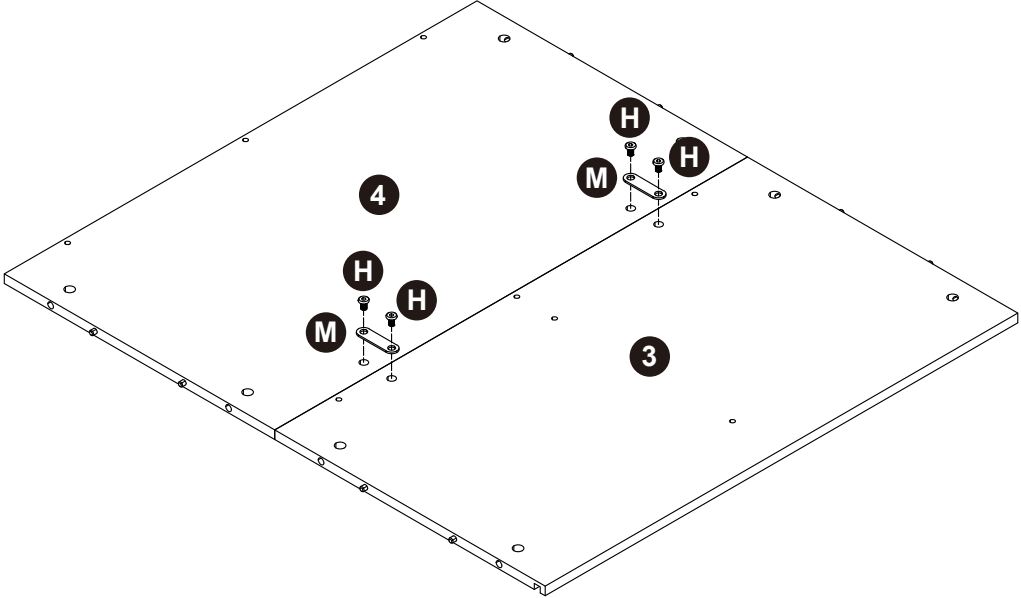


Step 4




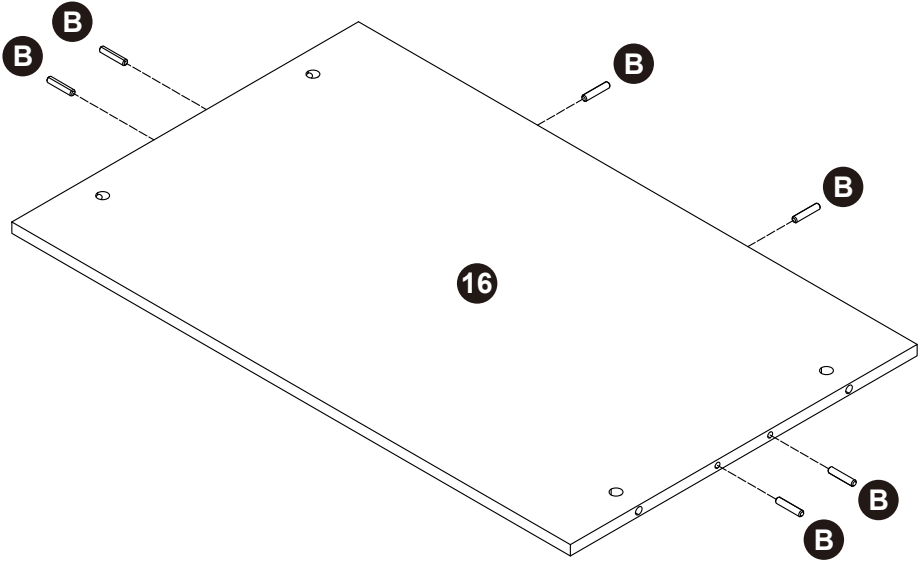
Step 5

 M6 x 10mm H x4	 M x2	 I x1
--	--	--

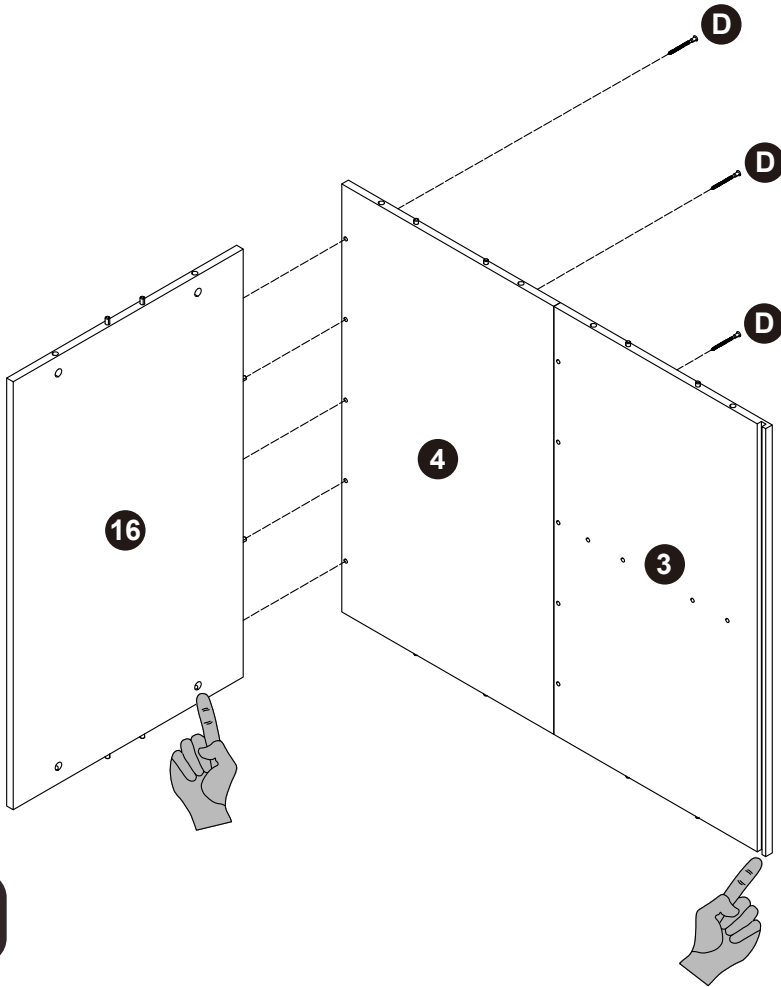


Step 6

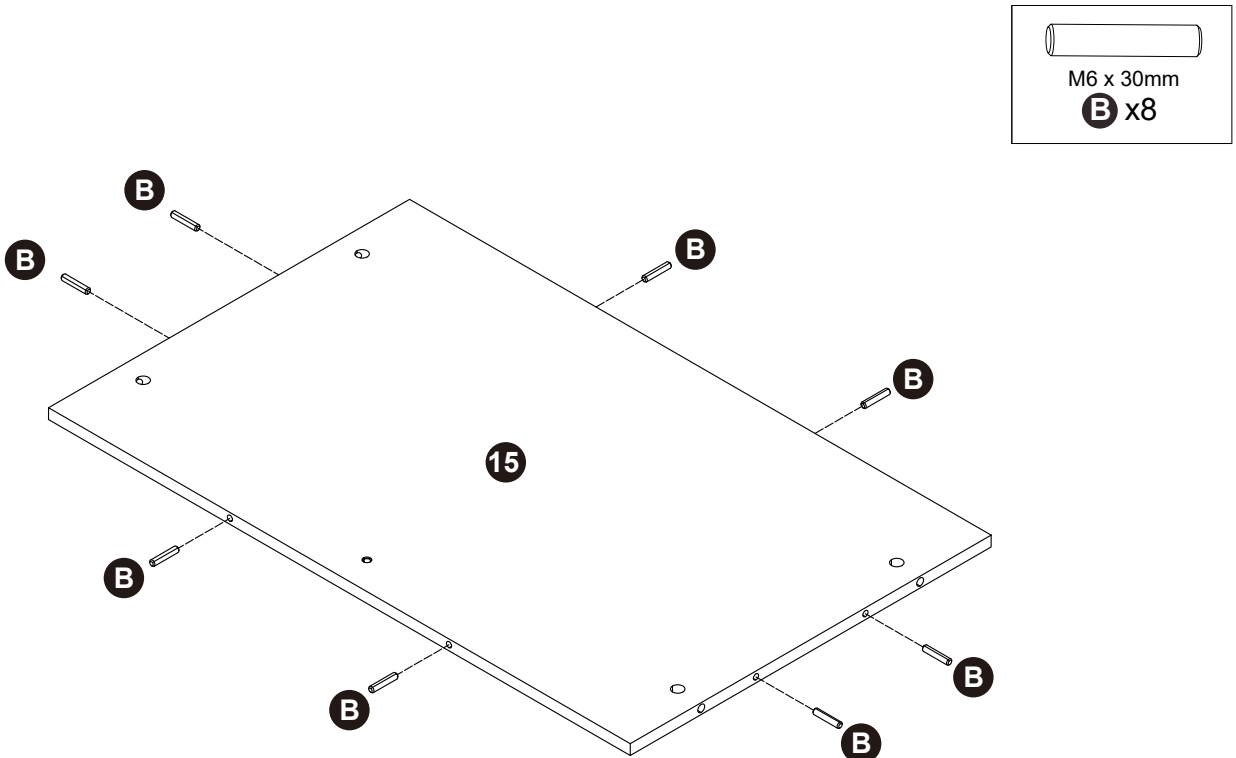
 M6 x 30mm B x6





Step 7

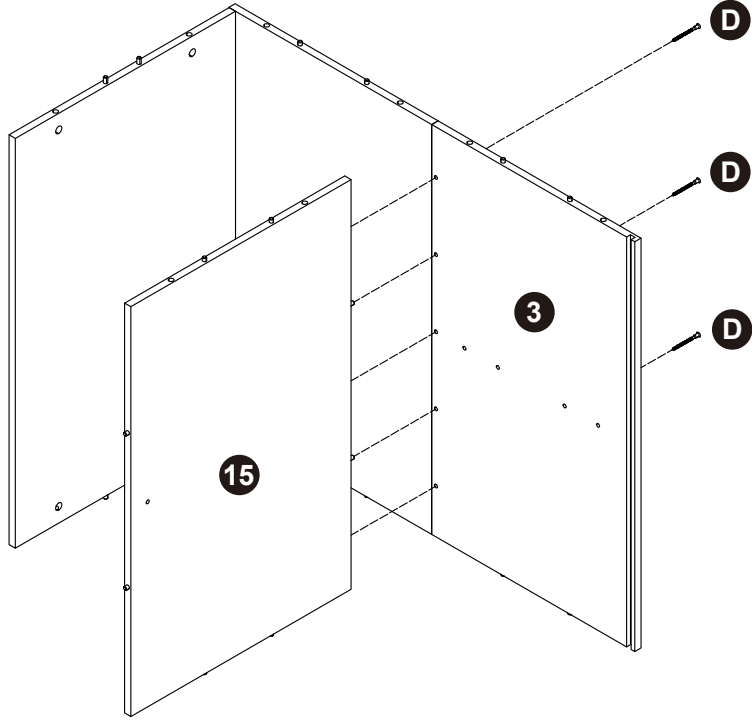


Step 8

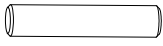


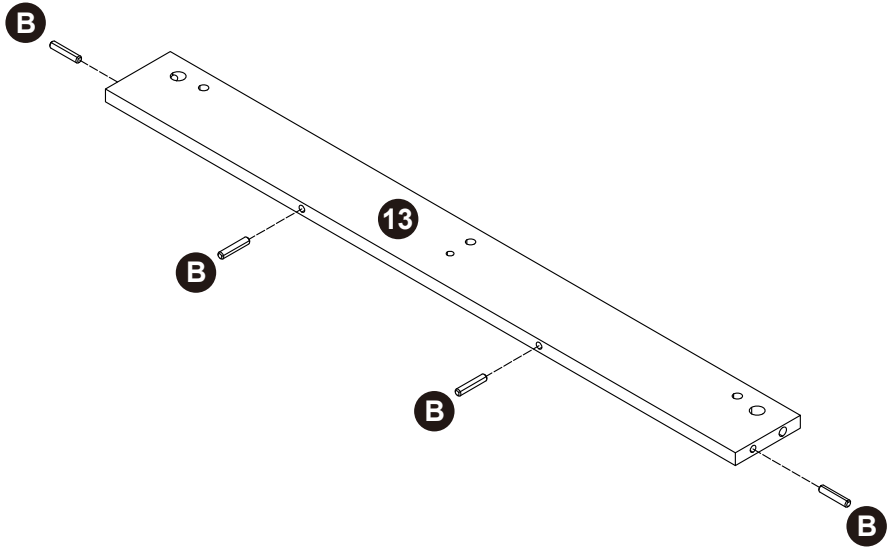
Step 9

 M5 x 50mm D x3	 I x1
---	--

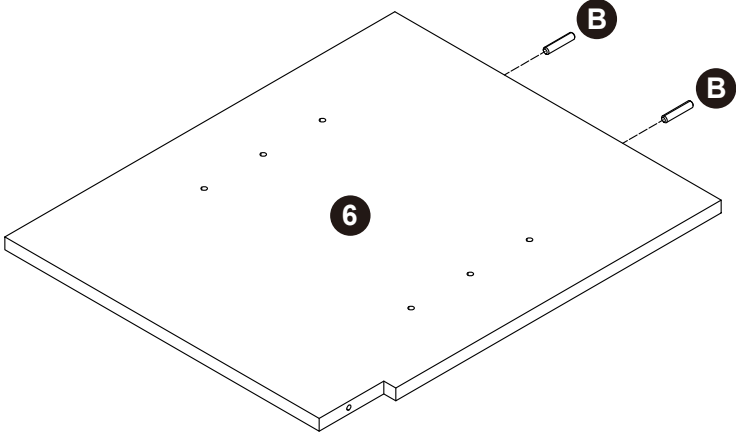
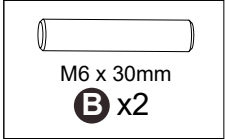


Step 10

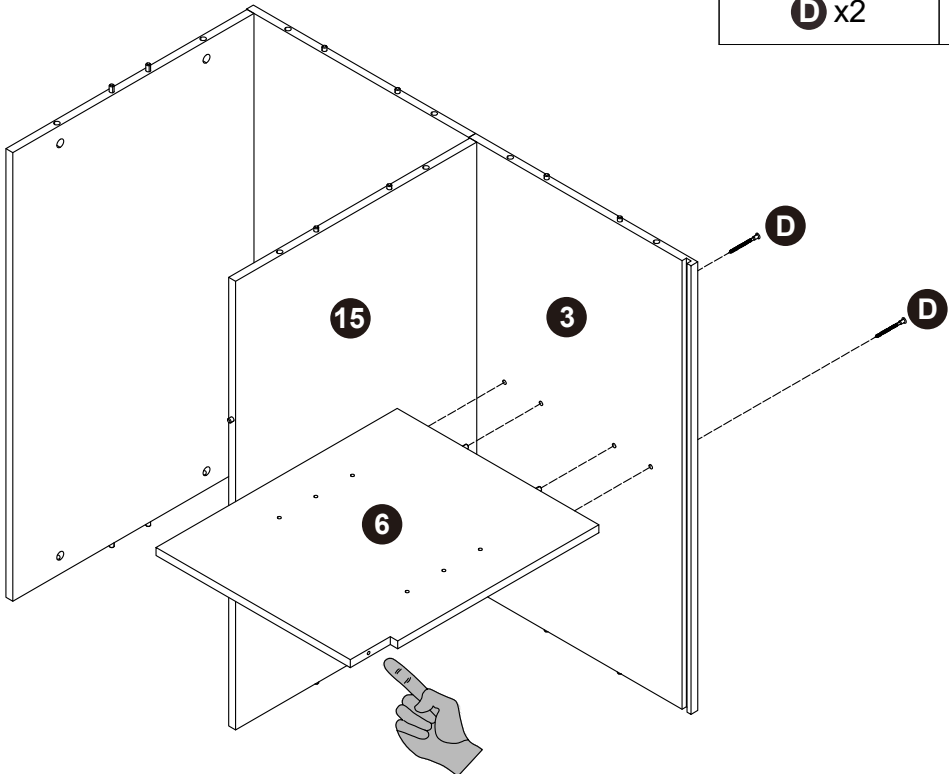
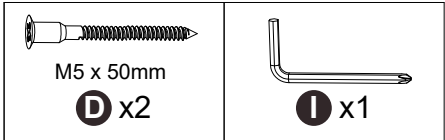
 M6 x 30mm B x4





Step 11

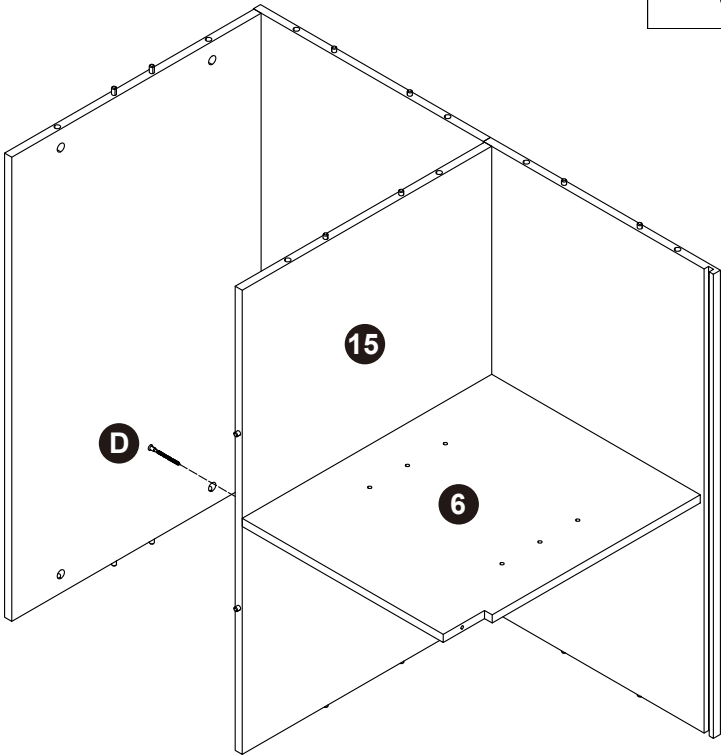


Step 12

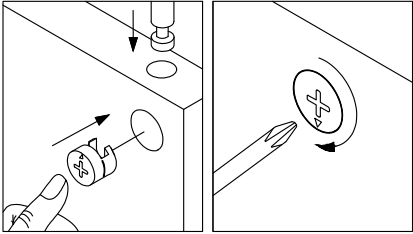




Step 13

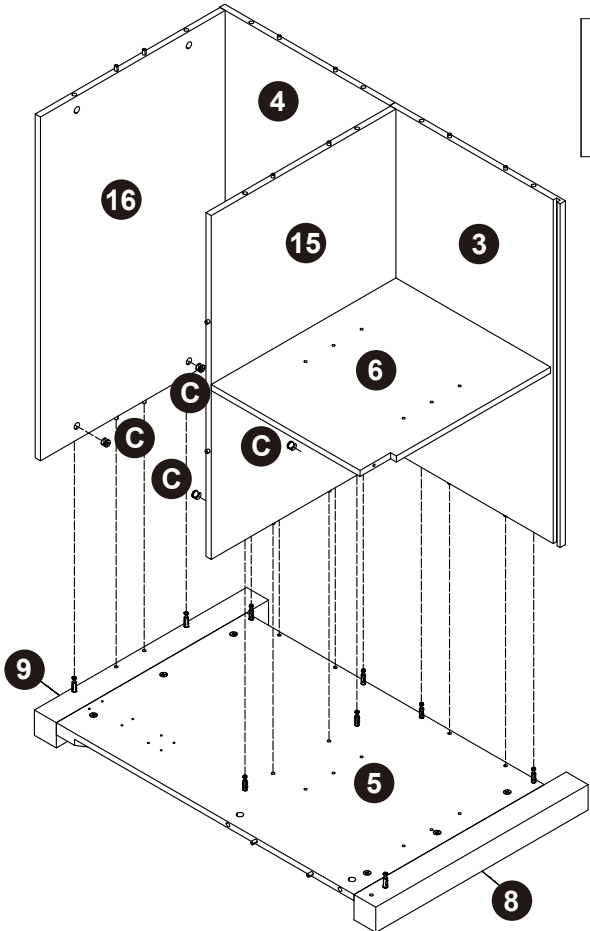
 M5 x 50mm D x1	 I x1
---	--



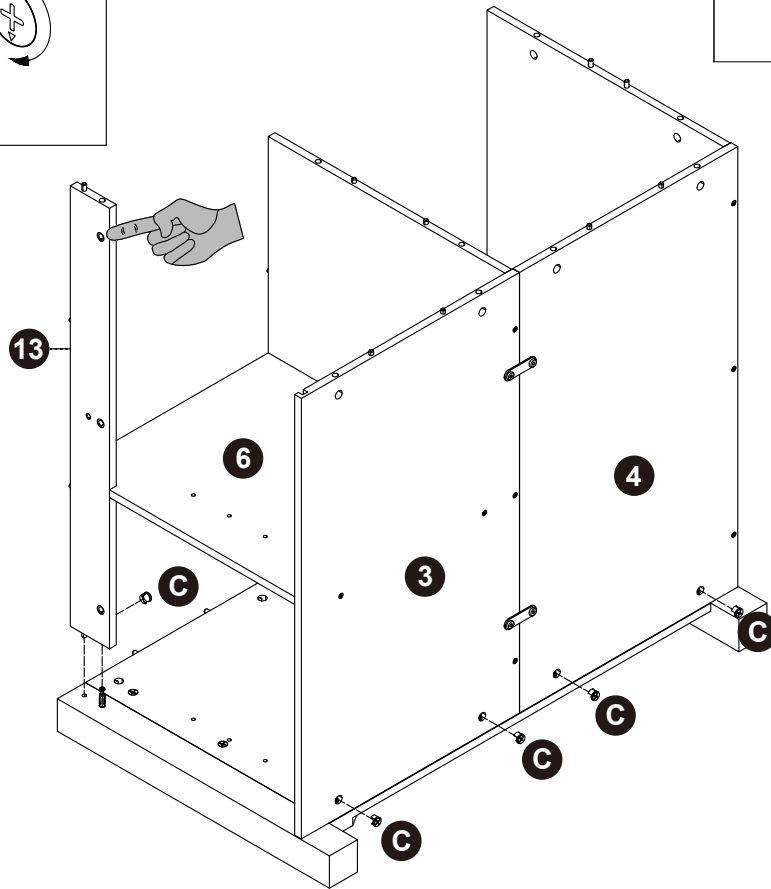
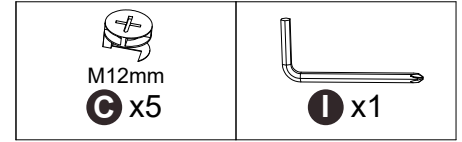
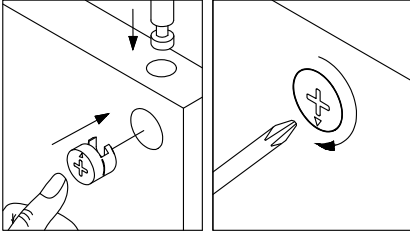
Step 14



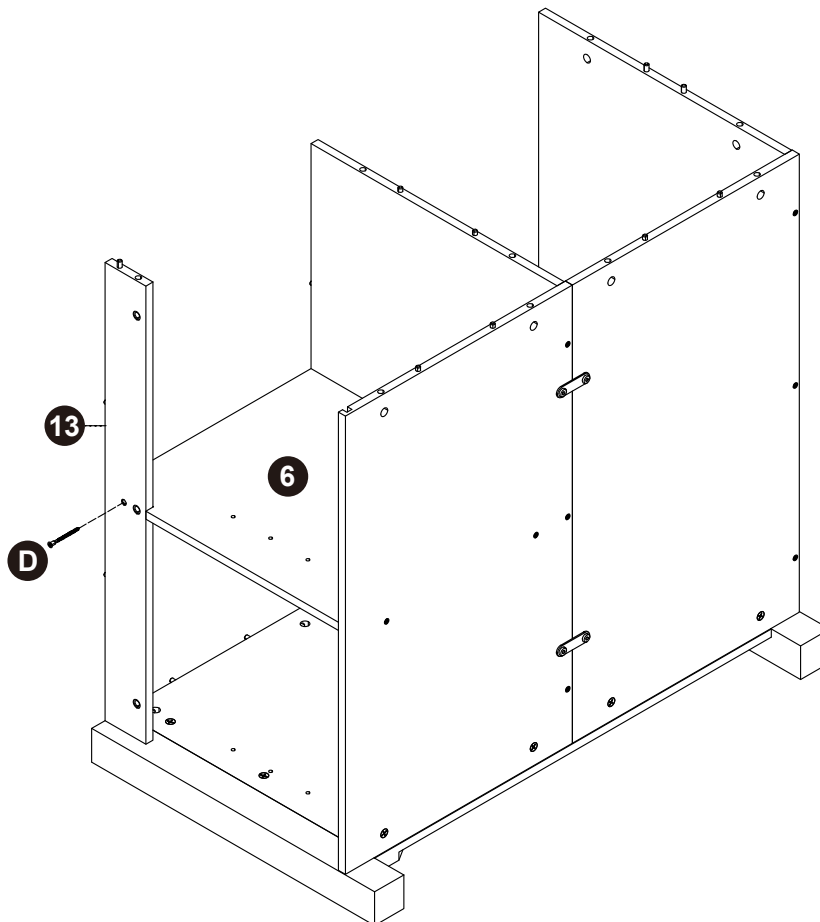
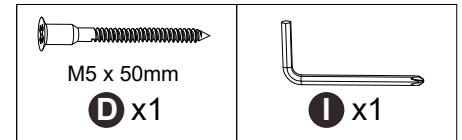
 M12mm C x4	 I x1
---	--



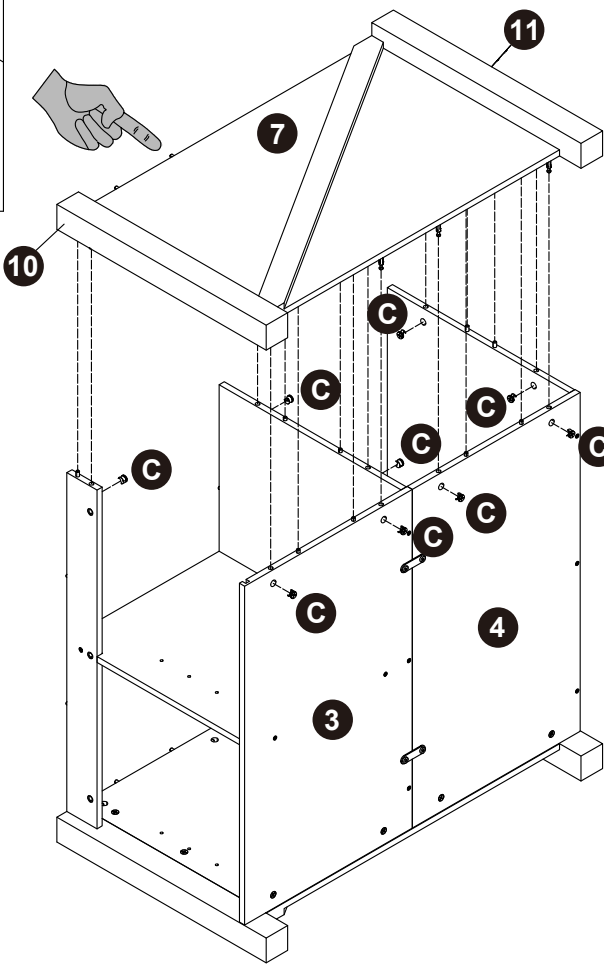
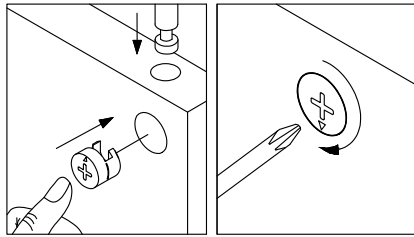
Step 15





Step 16

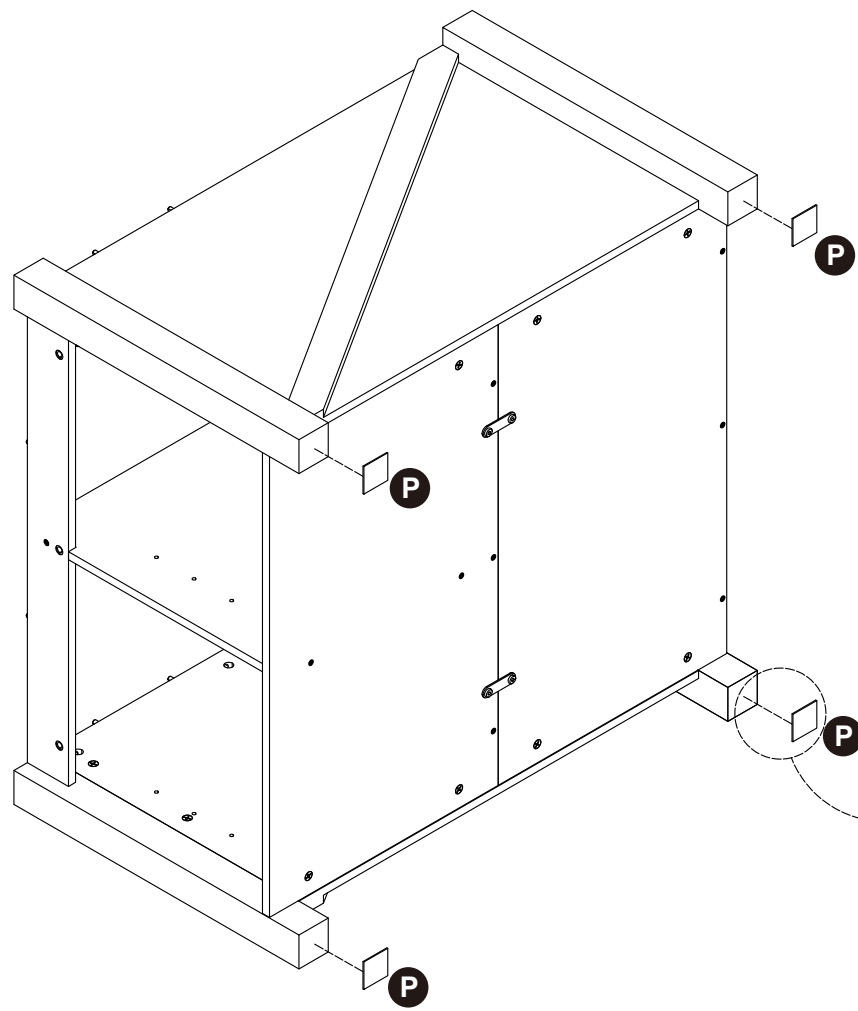



Step 17



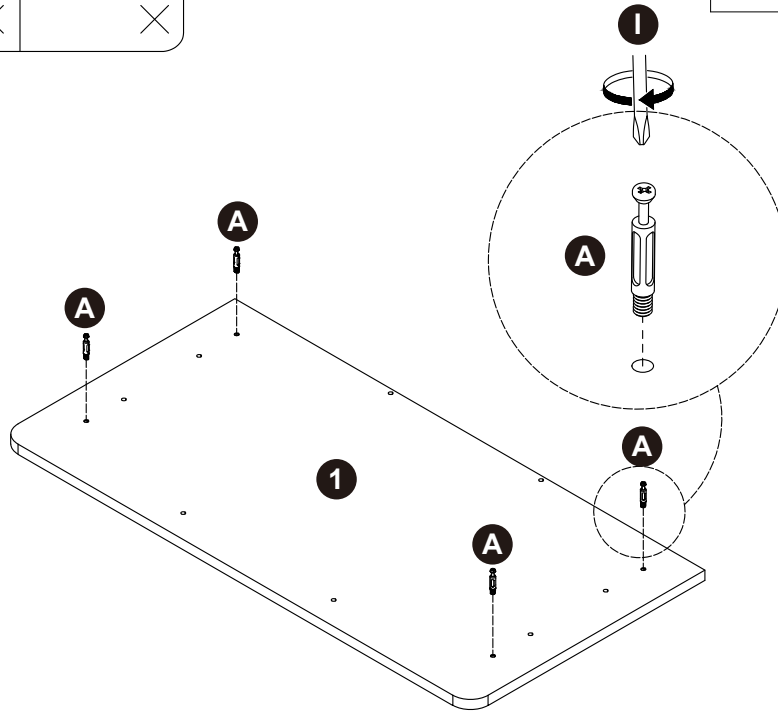
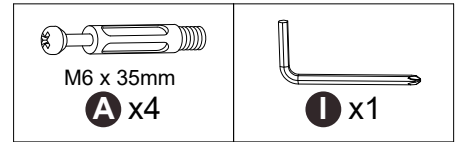
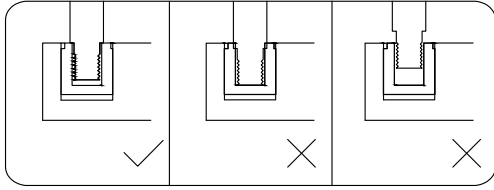
 M12mm C x9	 I x1
---	--

Step 18

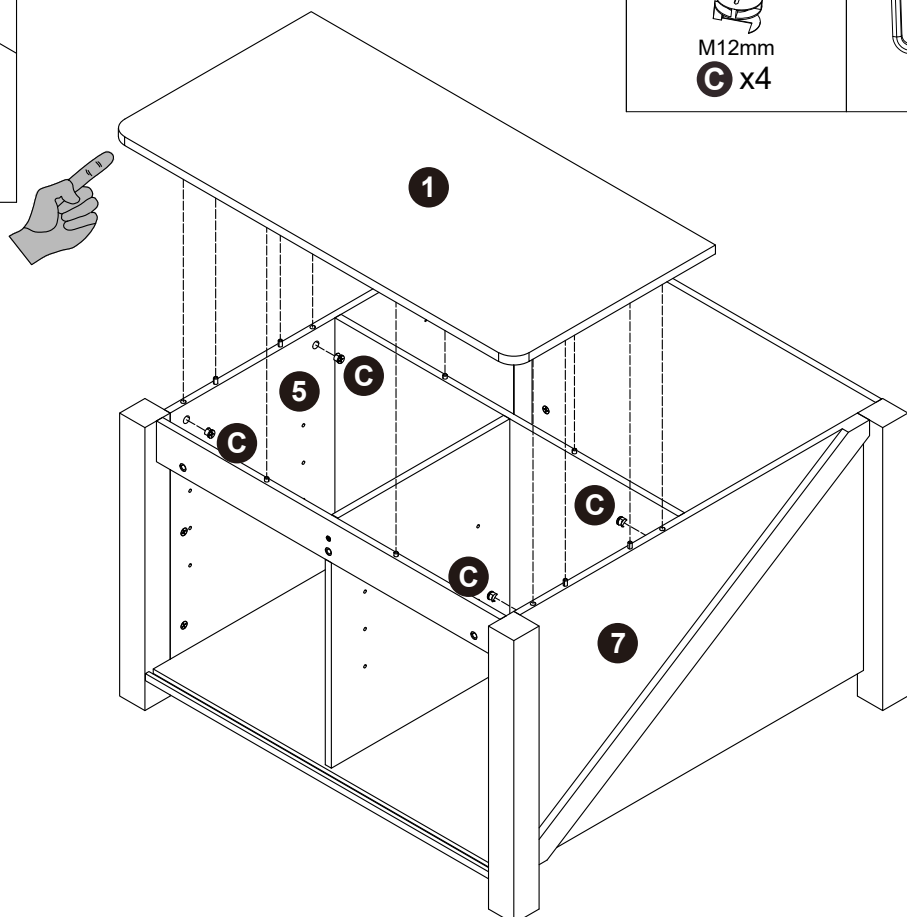
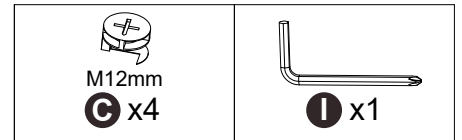
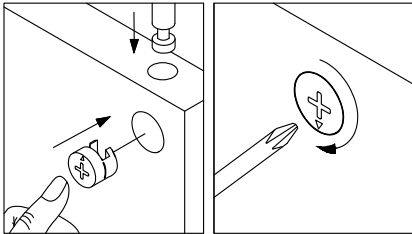


 P x4
--

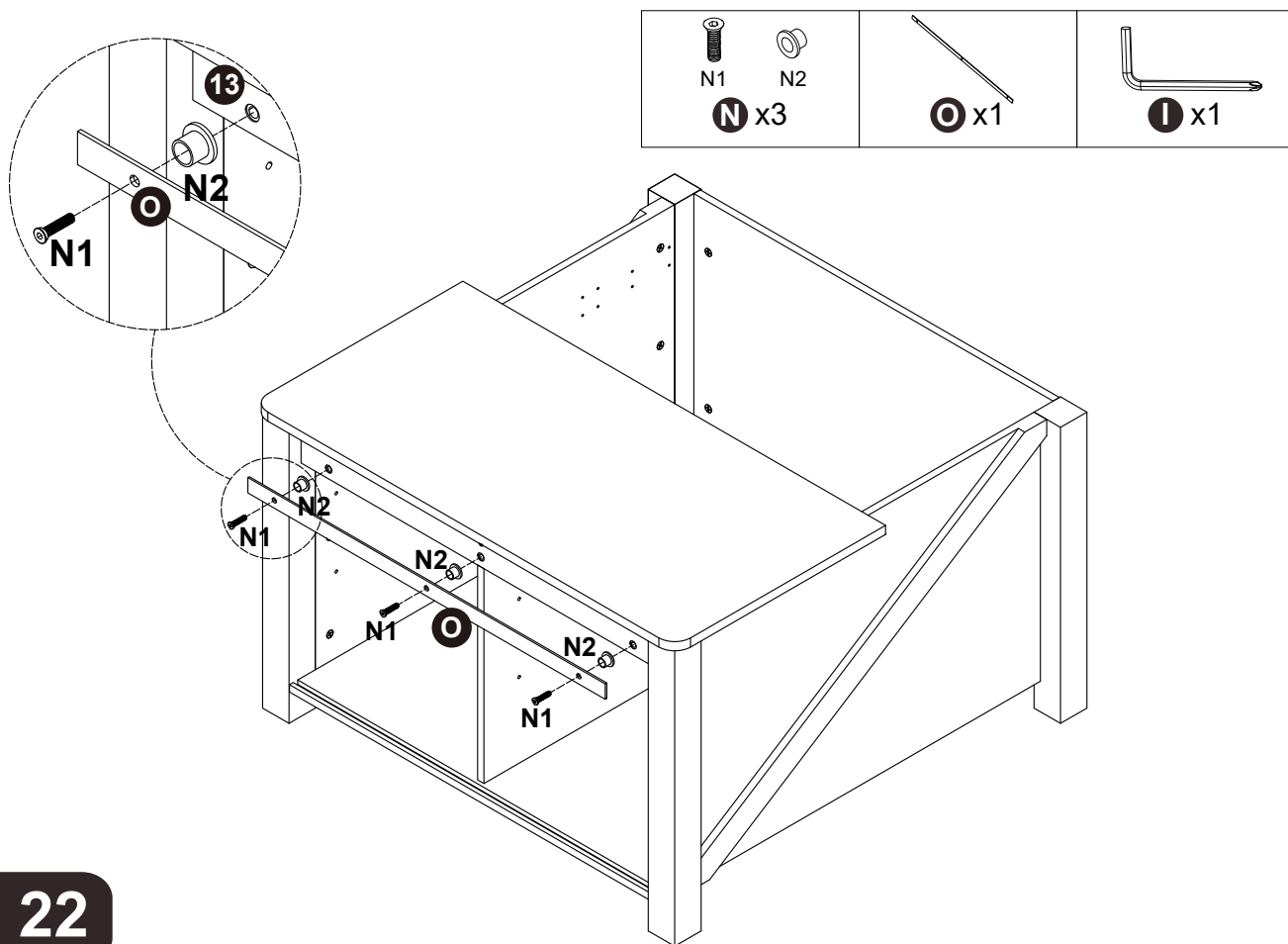
Step 19



Step 20



Step 21



Step 22

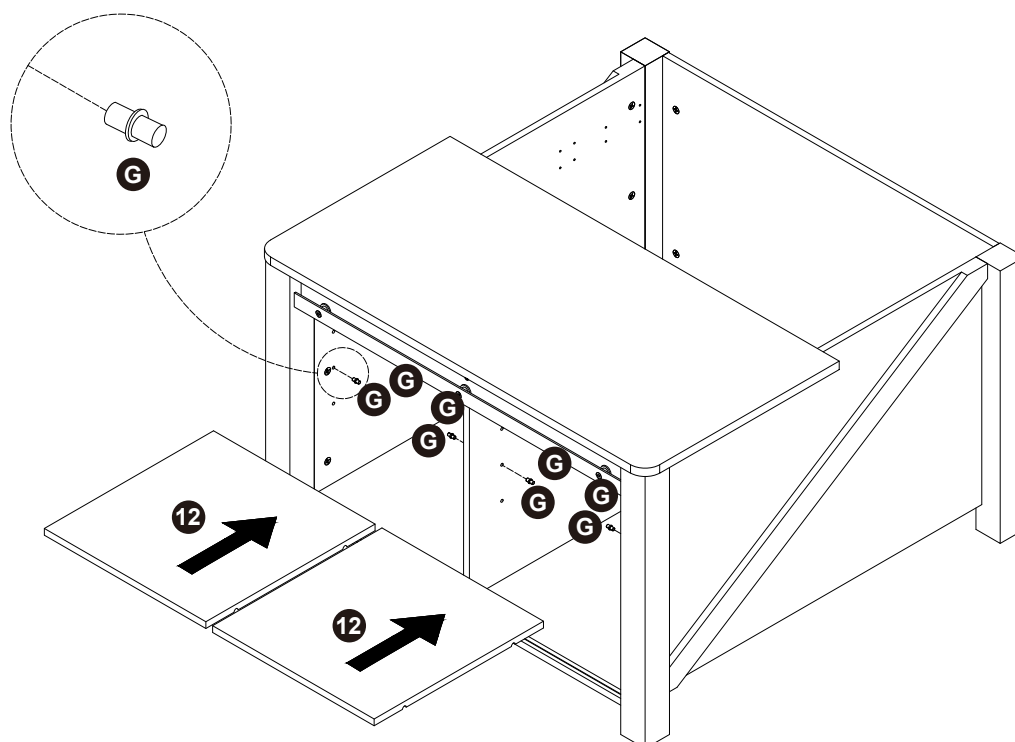
EN: Choose your desired height using different holes.

ES: Elija la altura deseada utilizando los distintos orificios.

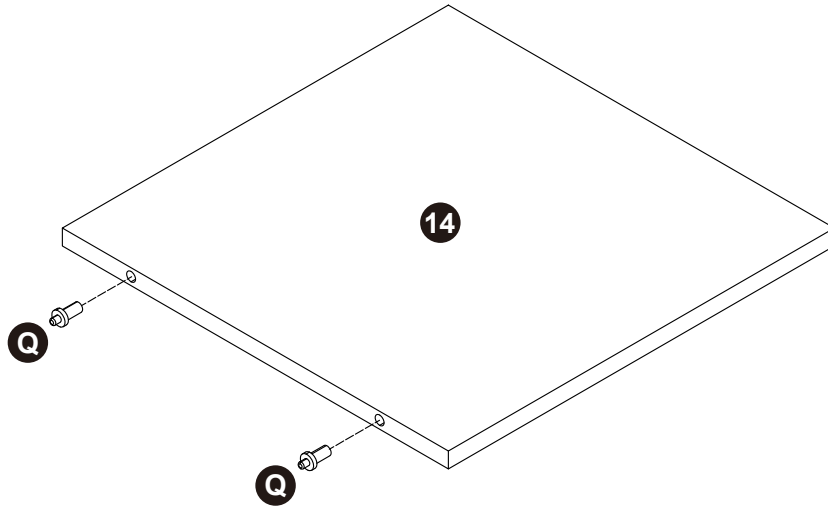
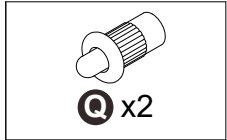
FR: Veuillez choisir la hauteur souhaitée en utilisant les différents trous.



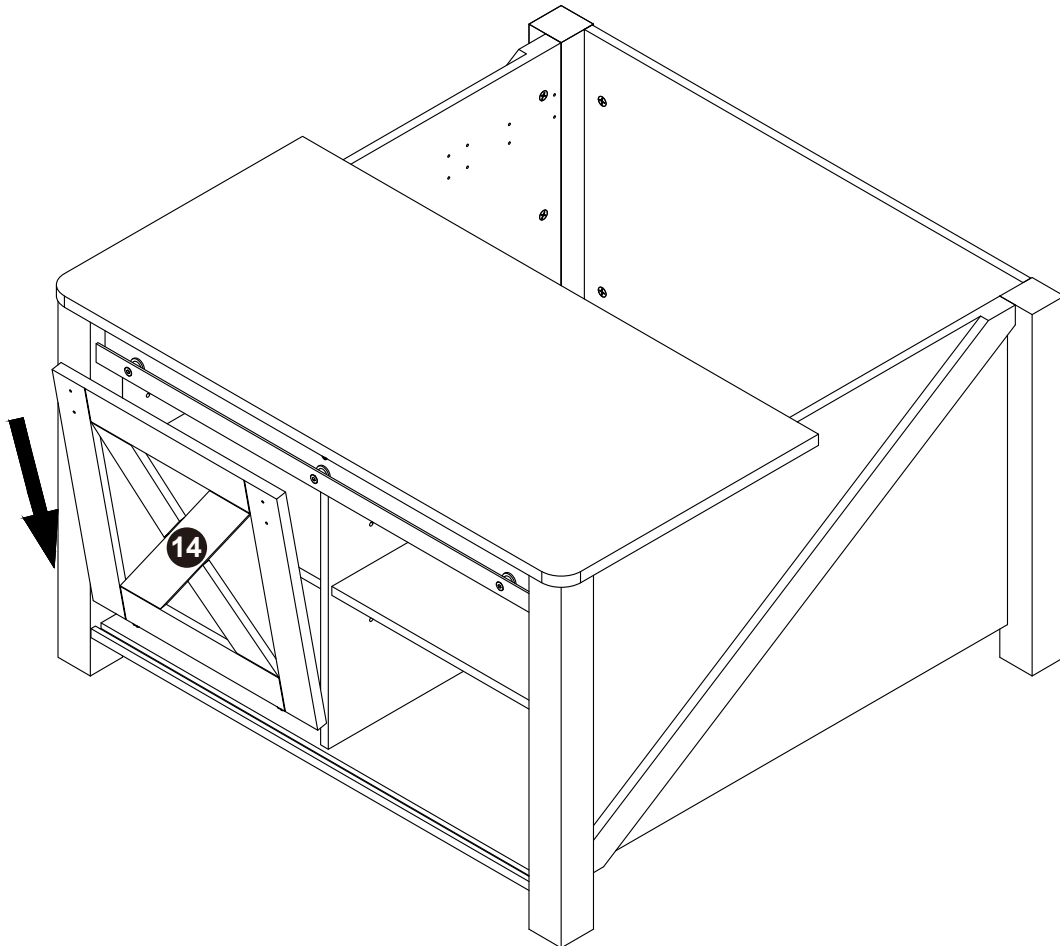
G x8






Step 23

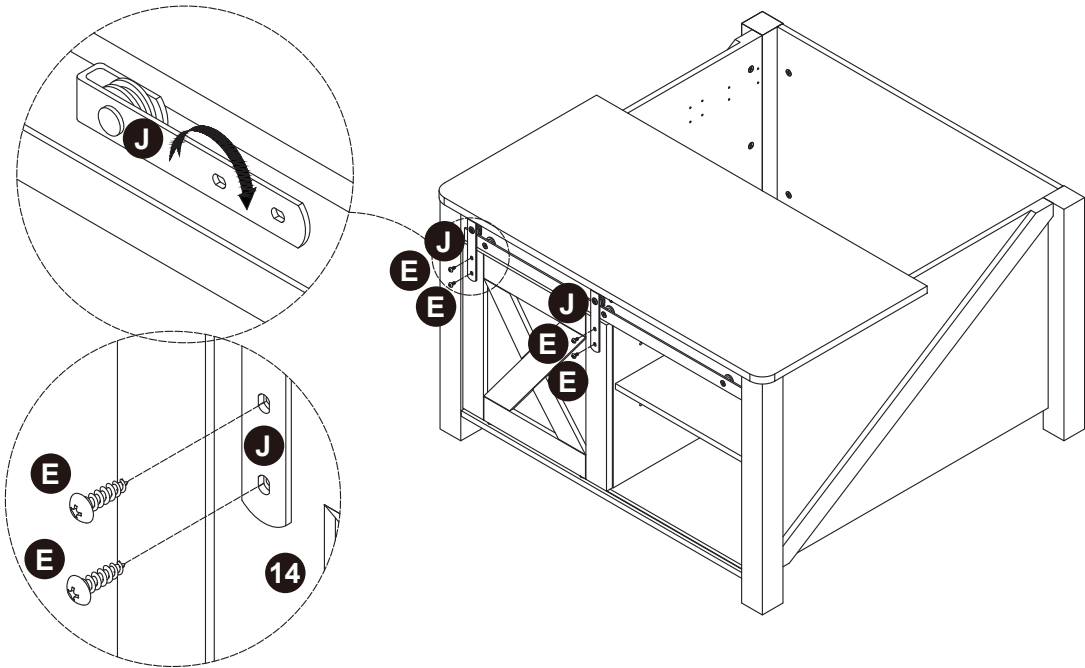


Step 24







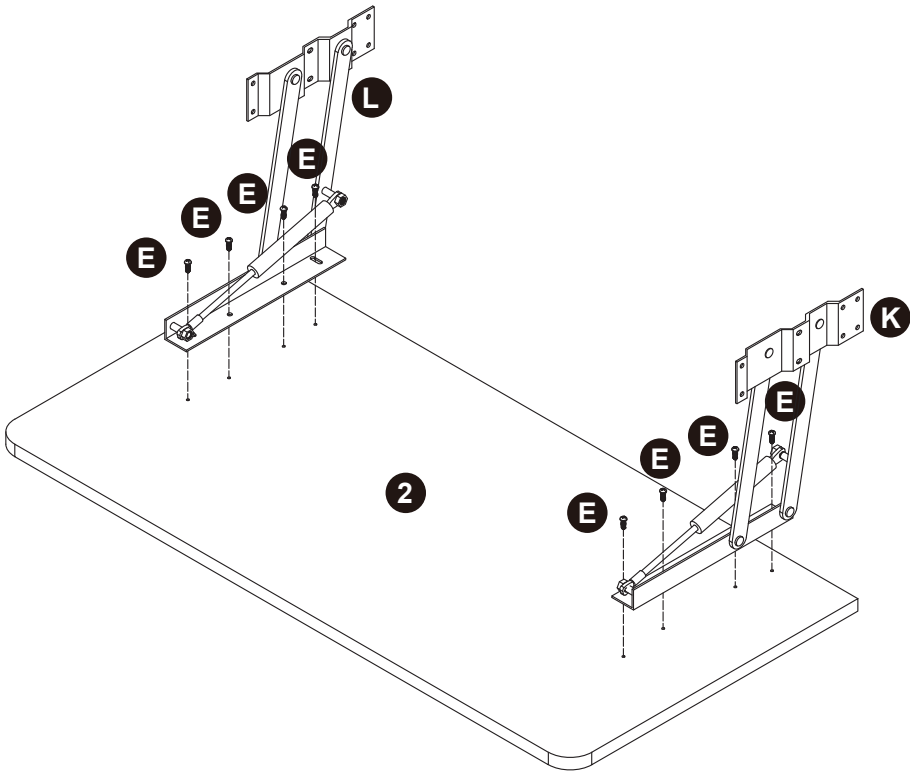
Step 25

 M4 x 12mm E x4	 J x2	 I x1
--	--	--

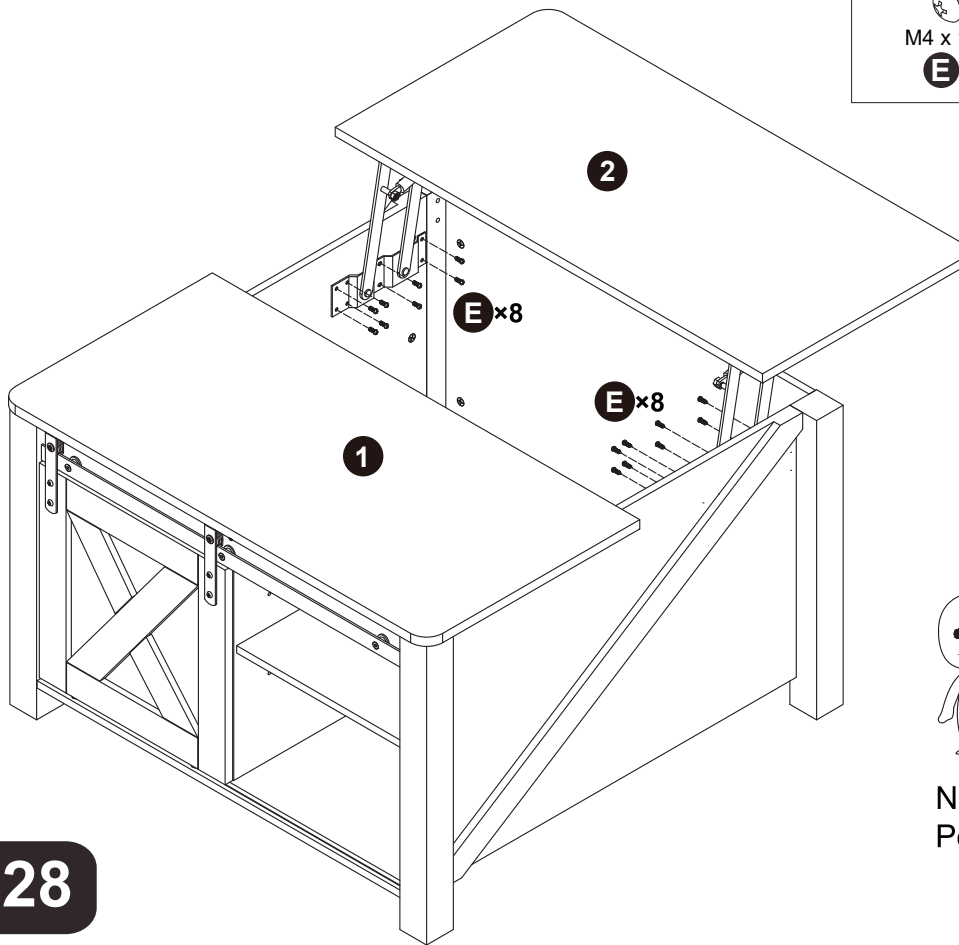


Step 26

 M4 x 12mm E x8	 K x1	 L x1	 I x1
---	---	--	--

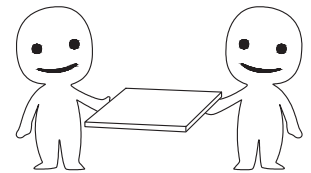


Step 27



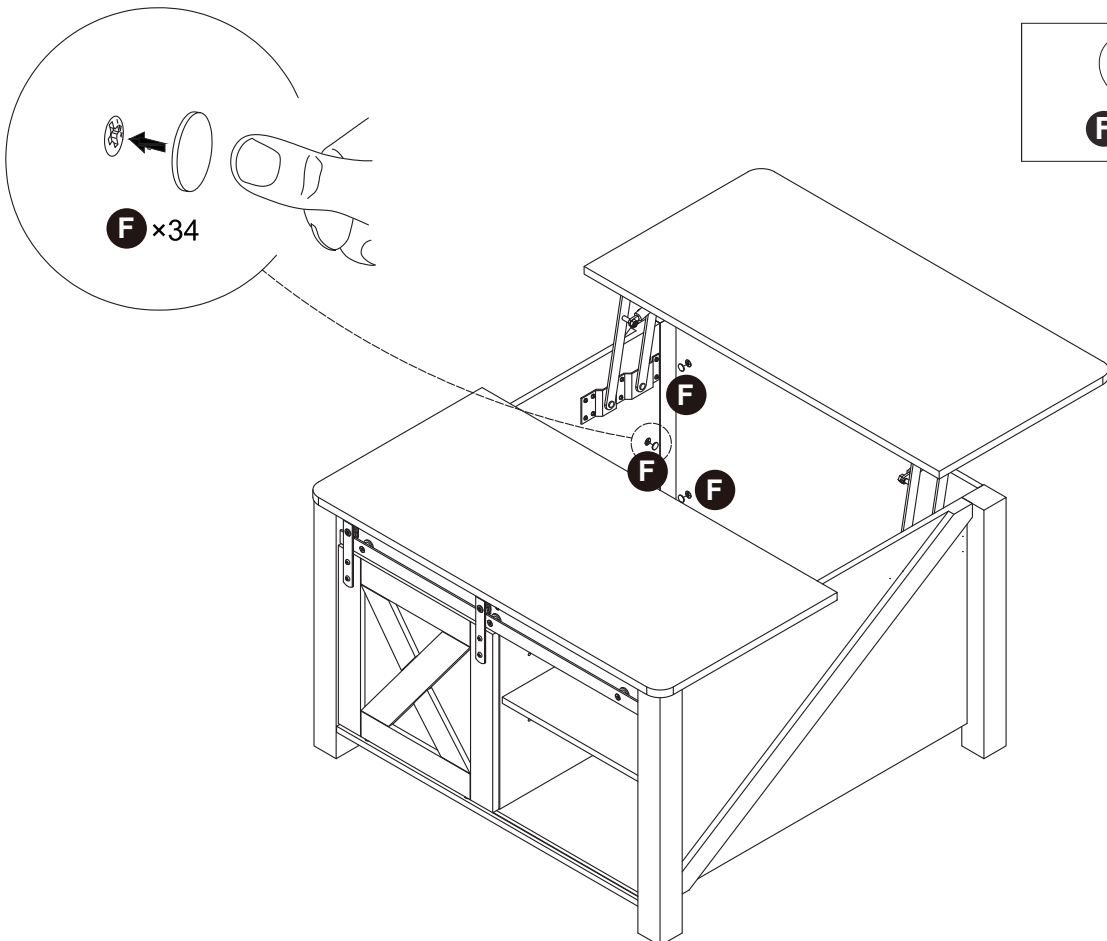
M4 x 12mm
E x16

I x1



Need Two or More
People To Complete

Step 28



F x34

F x34

