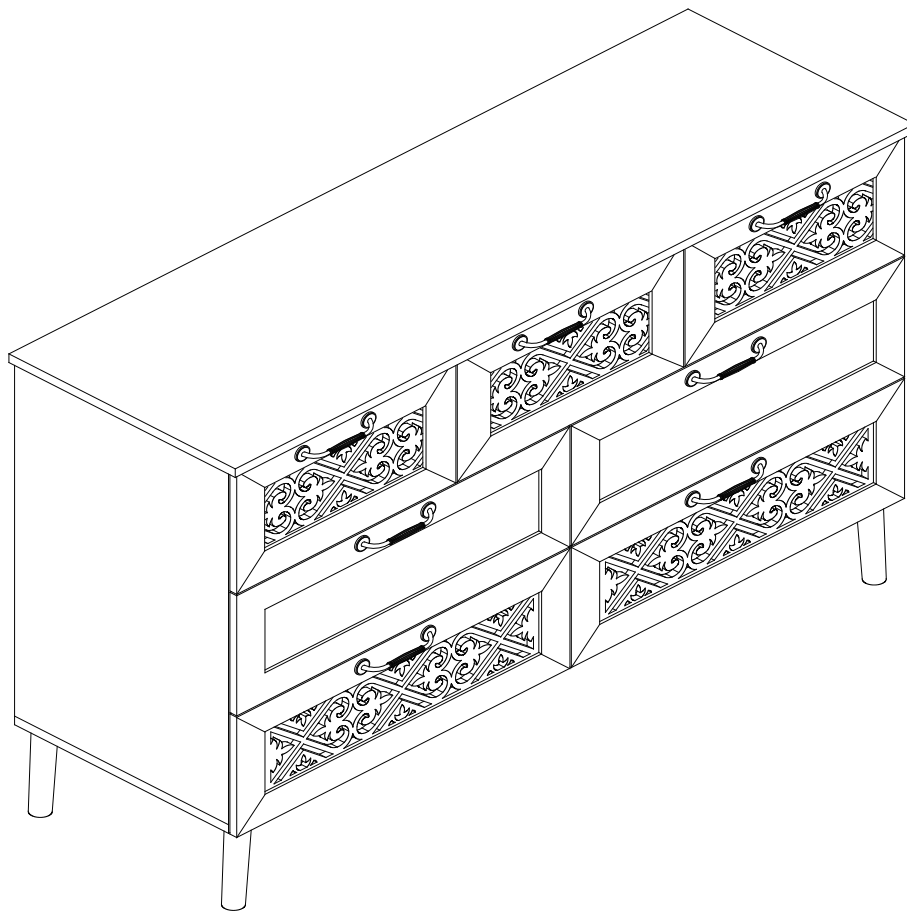


# Installation Instruction



Product Name

---

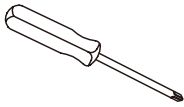
**7 Drawer Cabinet**

Ver.1.0 20230810

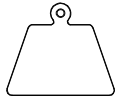
# Assembling

## What you need

- Use the packaging carton as a working surface to prevent product damage during assembly
- Phillips head screwdriver



## Weight Limitation



**50** | **20** | **11**  
lbs table top | lbs per shelf | lbs per drawer

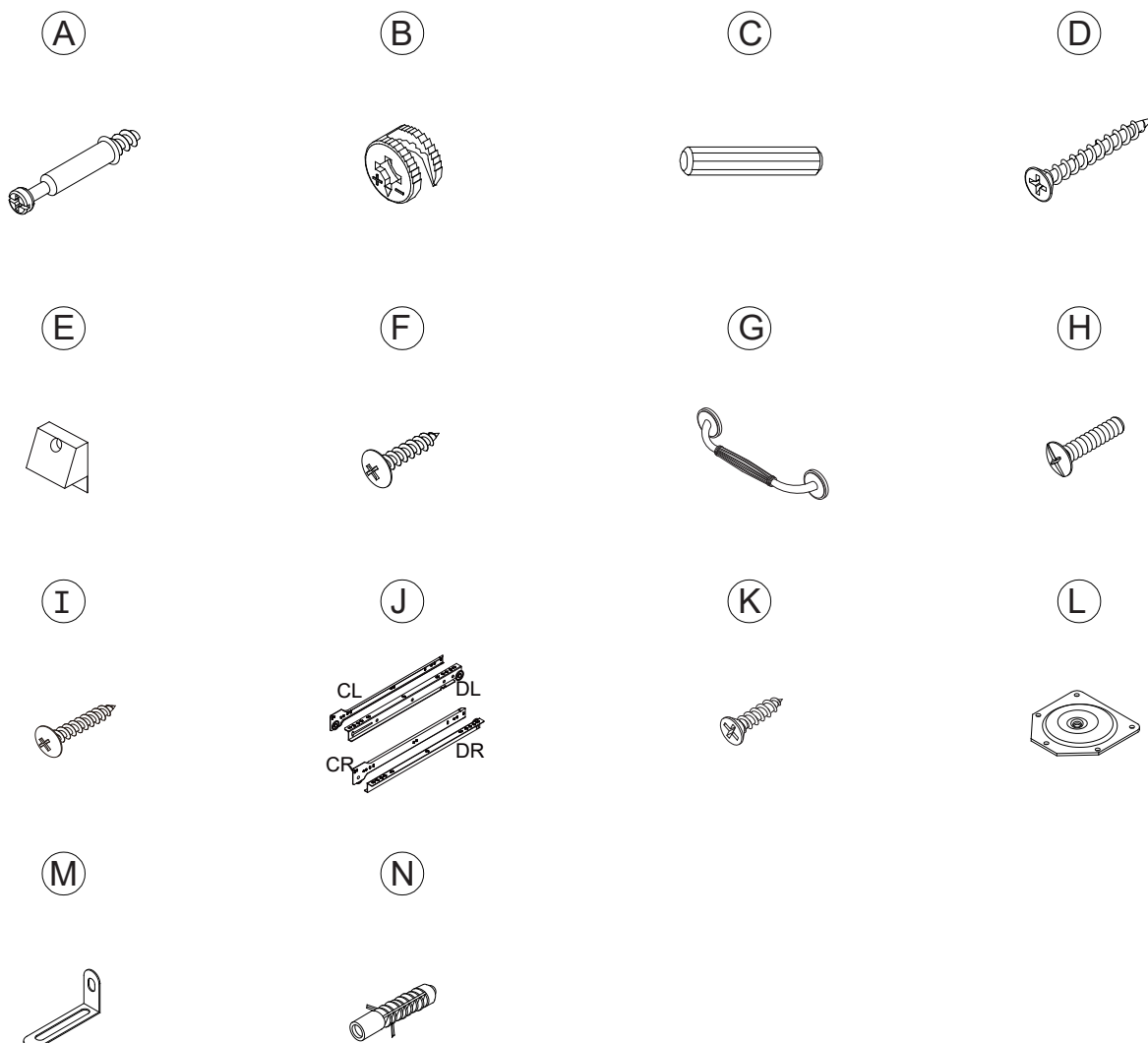


2 PERSONS

# What 's included

Code	Description	Qty
A	Cam Bolt M6X35MM	54
B	Cam Lock 15X10MM	54
C	Wooden Dowel M6X30MM	28
D	Screw M4X35MM	48
E	Plastic Corner Support	8
F	Screw M4X14MM	29
G	Handle	7
H	Bolt M4X18MM	14
I	Screw M3X16MM	8
J	Slide Sets	7
K	Screw M3X12MM	84
L	Metal Pin	5
M	Metal Plate	2
N	Anchor M6X30MM	2

# The hardwares



## IMPORTANT :

1. Do not tighten bolts / screws completely until all bolts / screws are lined up and inserted into holes.
2. Do not over tighten screws and bolts to avoid stripping.
3. Please use hand tools to assemble this product. Do not use power tools.
4. Must need 2 people to assemble this product.

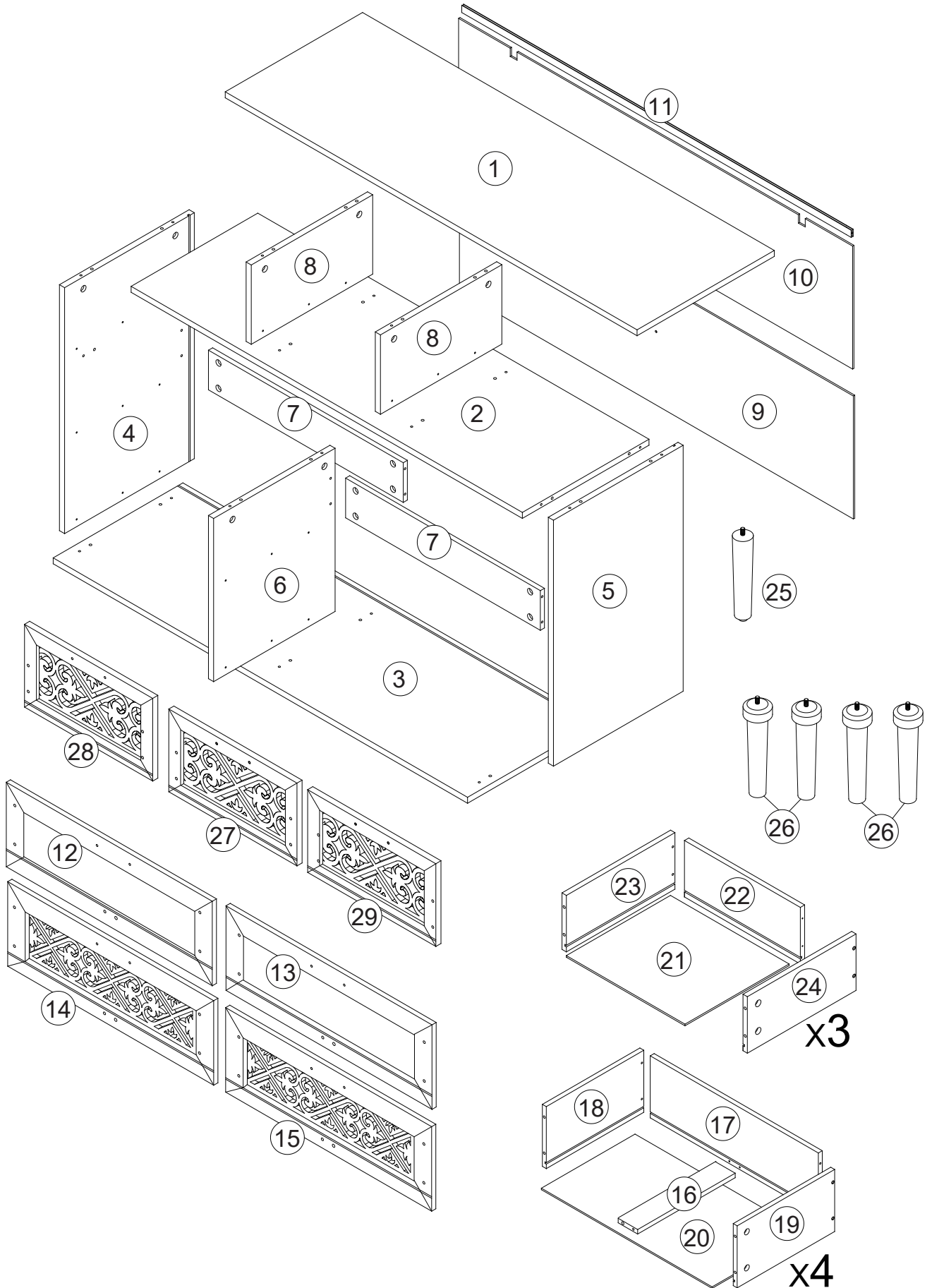


2 PERSONS

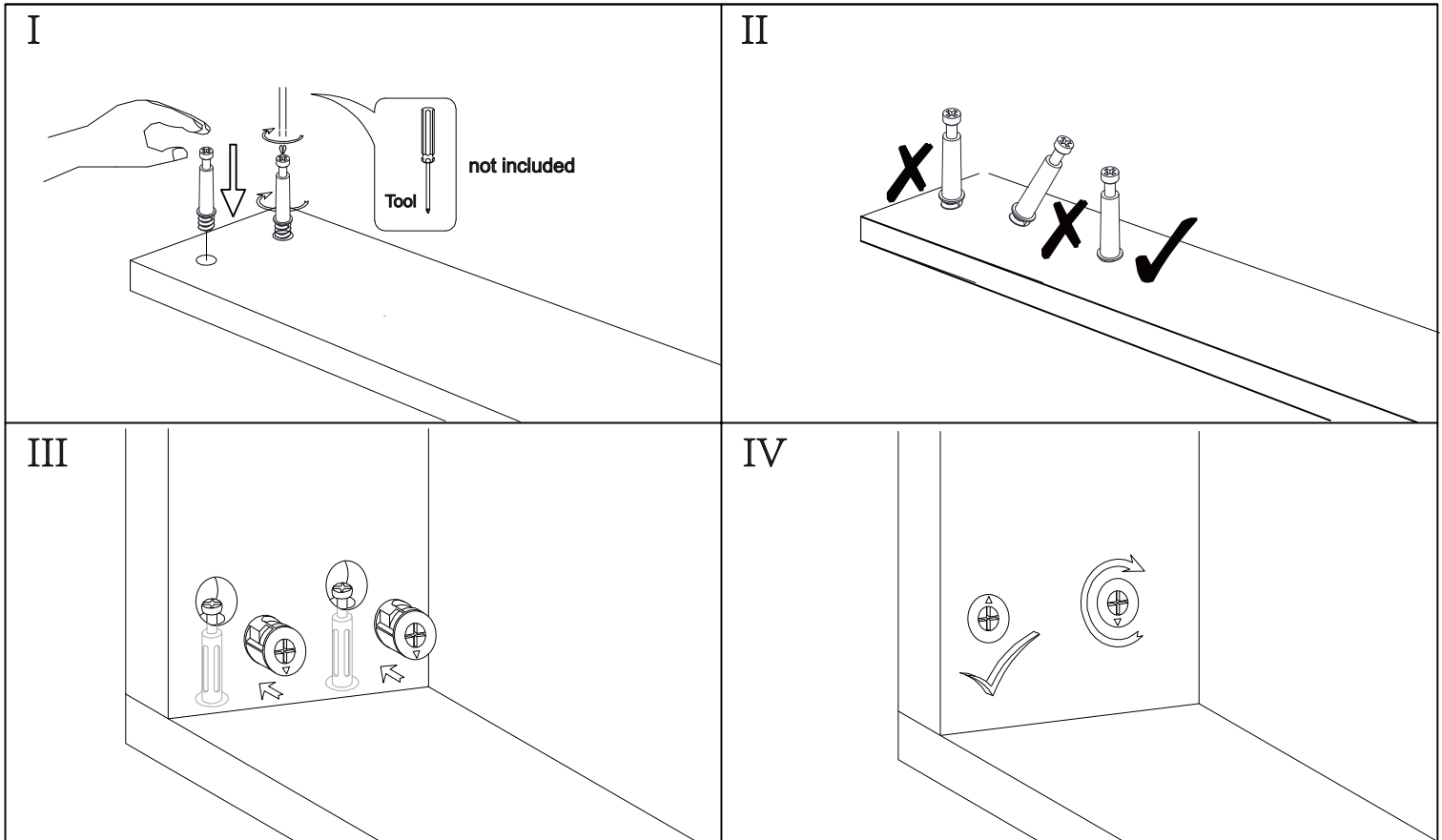
# Included Accessories

Code	Description	Qty
1	Cabinet Top	1
2	Middle Shelf Panel	1
3	Bottom Panel	1
4	Left Side Panel	1
5	Right Side Panel	1
6	Lower Middle Side Panel	1
7	Back Support Panel	2
8	Upper Middle Side Panel	2
9	Lower Back Panel	1
10	Upper Back Panel	1
11	Back Stretcher	1
12	Middle Big Left Drawer Front Panel	1
13	Middle Big Right Drawer Front Panel	1
14	Lower Big Left Drawer Front Panel	1
15	Lower Big Right Drawer Front Panel	1
16	Big Drawer Support Panel	4
17	Big Drawer Back Panel	4
18	Big Drawer Left Side Panel	4
19	Big Drawer Right Side Panel	4
20	Big Drawer Bottom Panel	4
21	Small Drawer Bottom Panel	3
22	Small Drawer Back Panel	3
23	Small Drawer Left Side Panel	3
24	Small Drawer Right Side Panel	3
25	Middle Foot	1
26	Feet	4
27	Upper Middle Small Drawer Front Panel	1
28	Upper Left Small Drawer Front Panel	1
29	Upper Right Small Drawer Front Panel	1

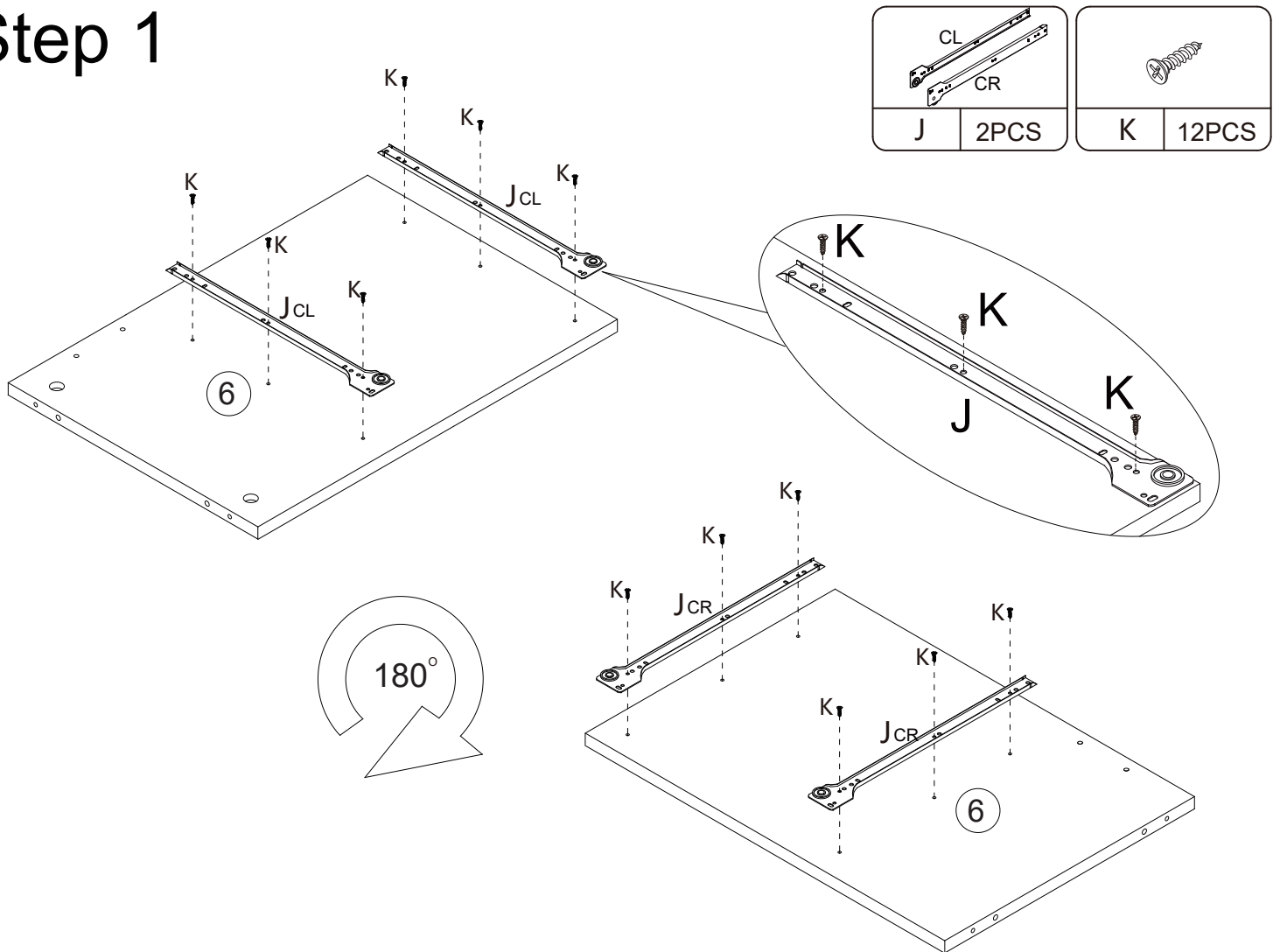
# The Accessoriess



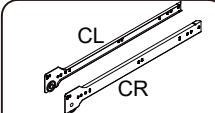

**NOTED:**

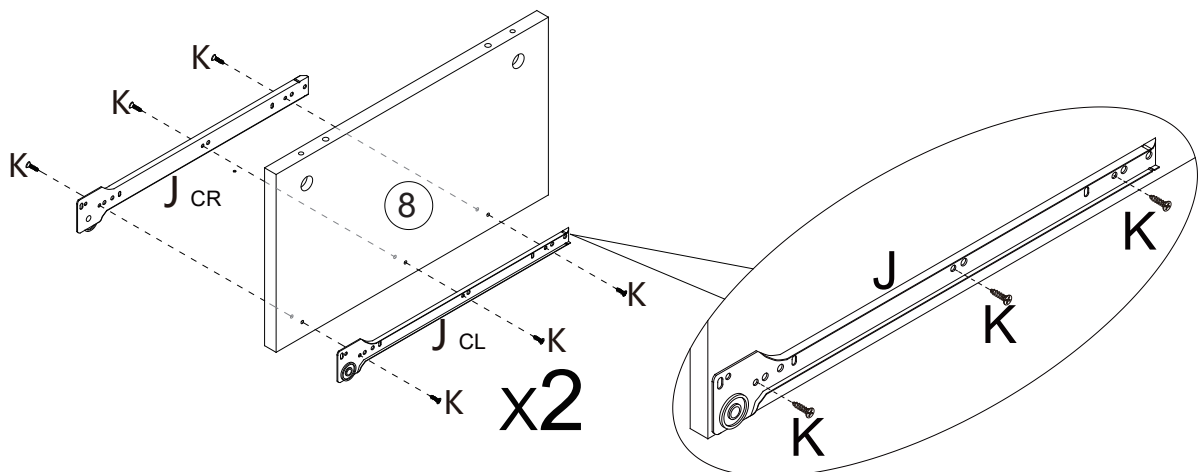
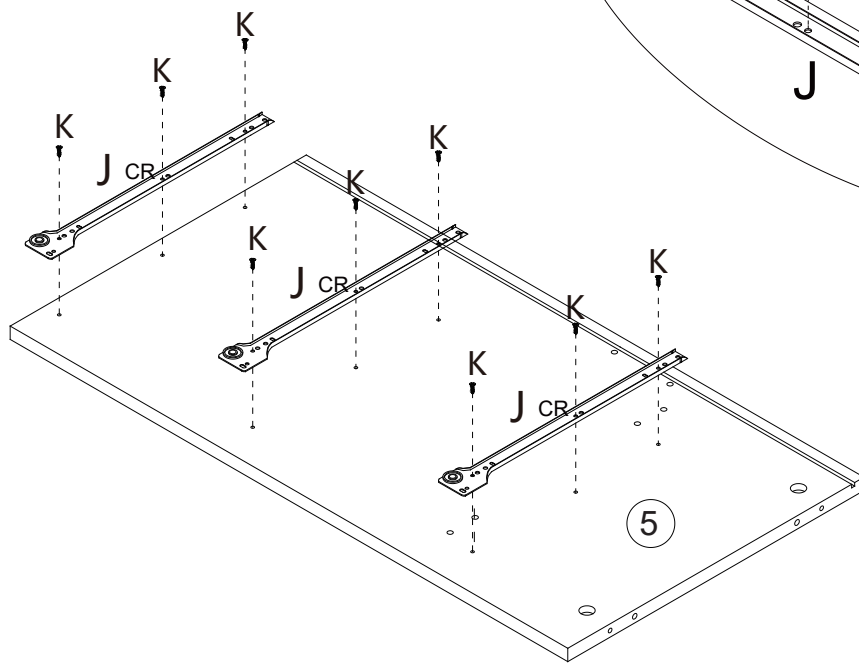
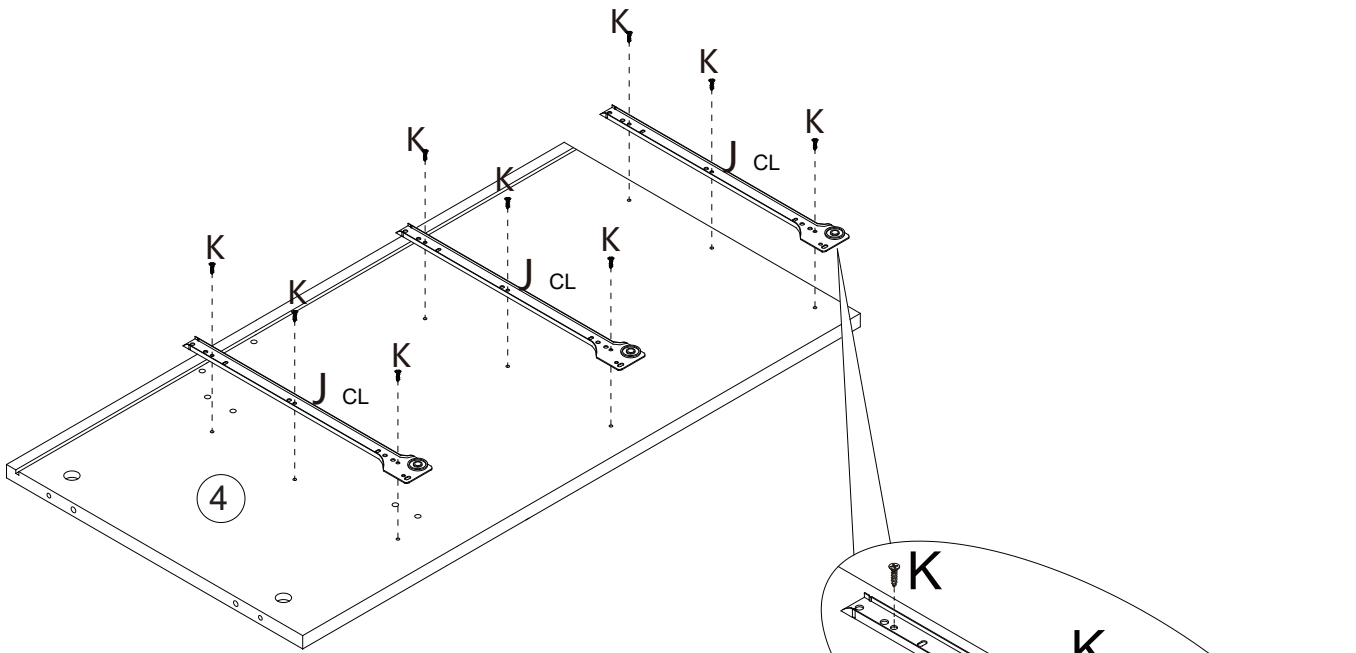


# Step 1

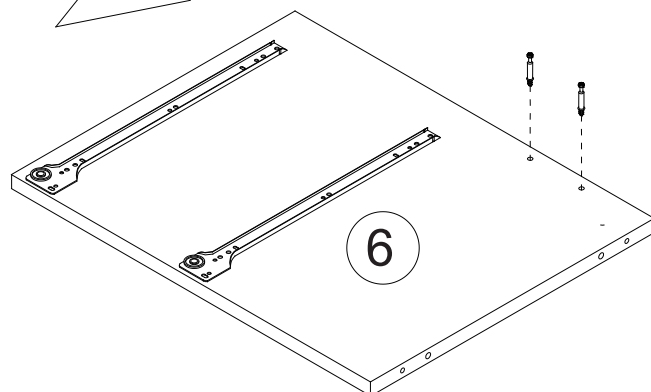
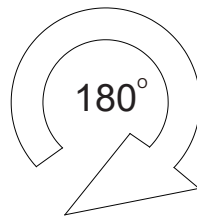
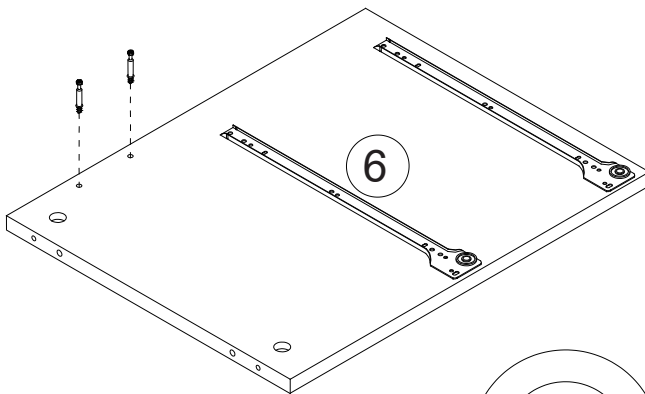
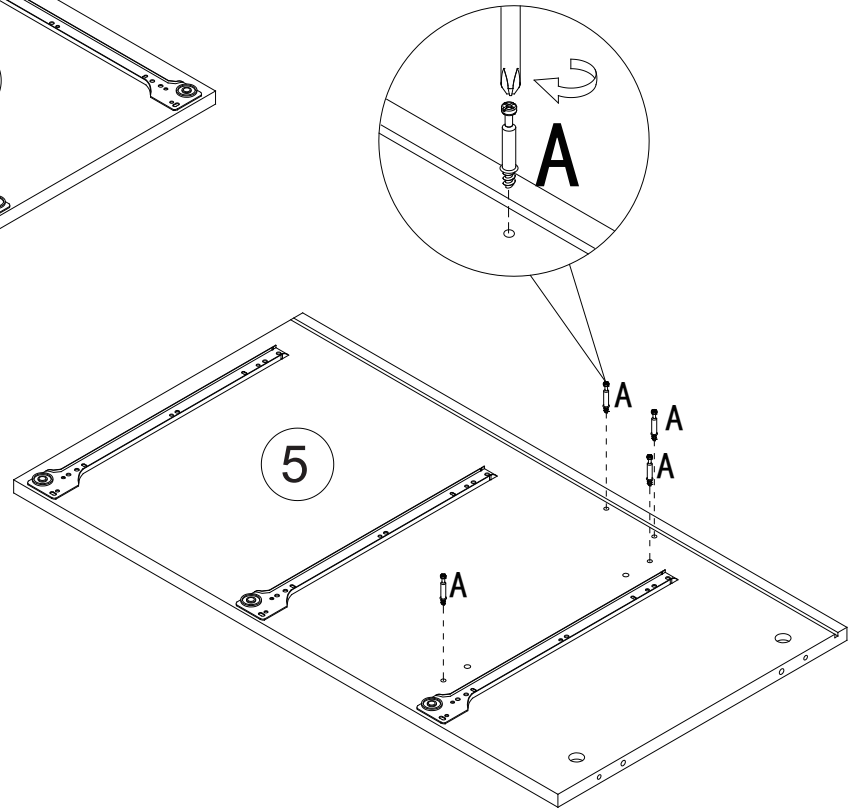
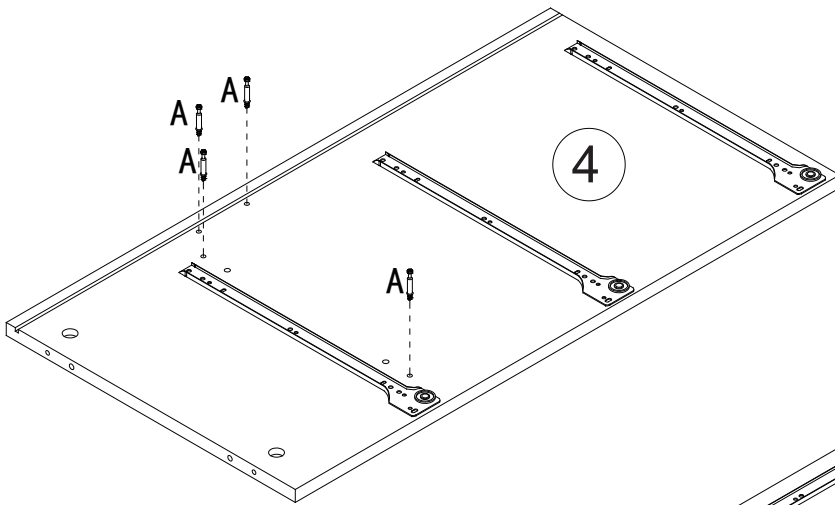
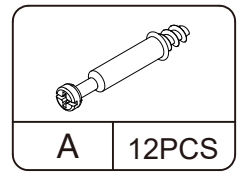


# Step 2

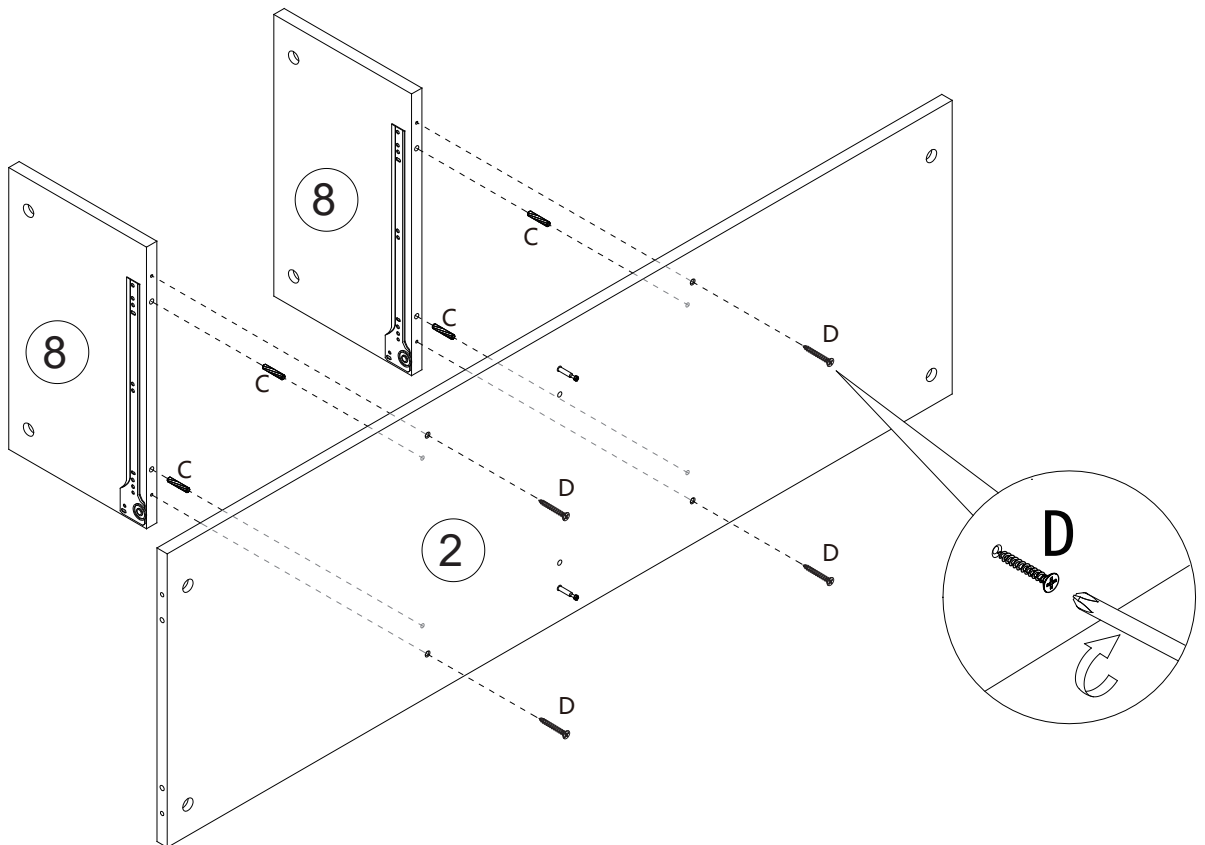
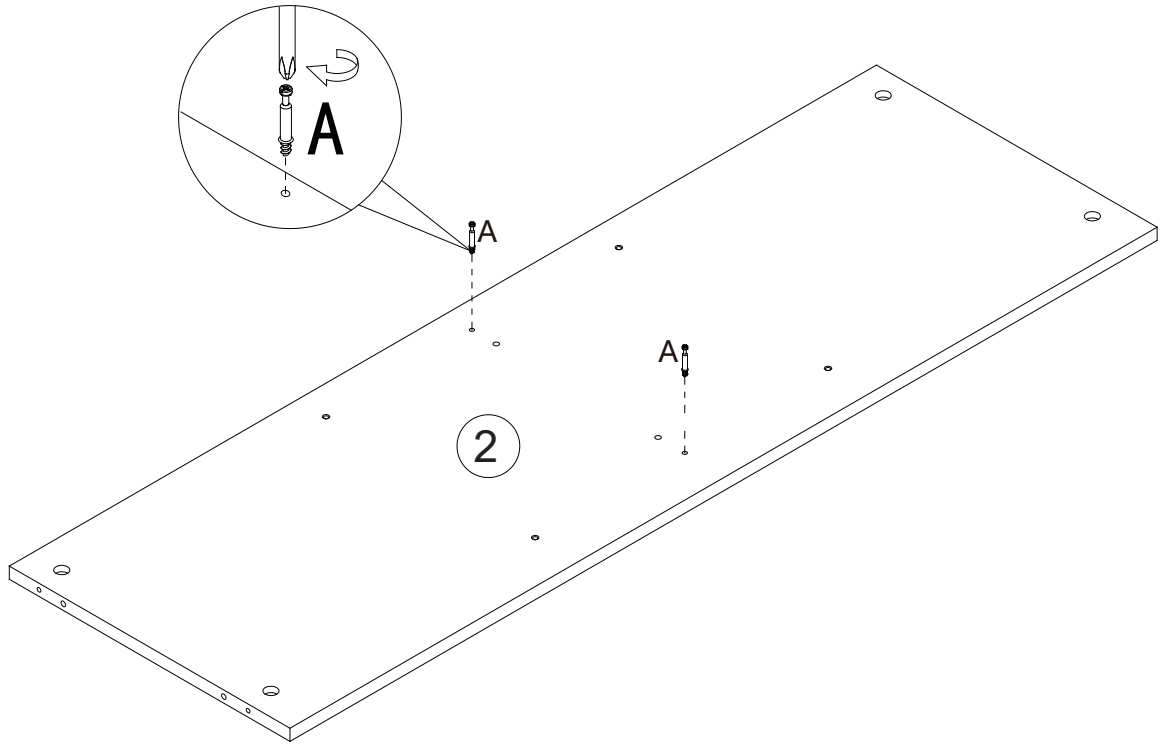
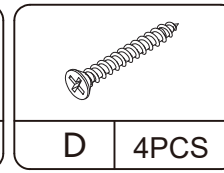
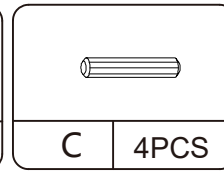
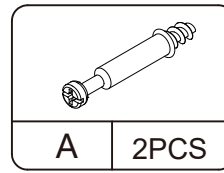
			
J	5PCS	K	30PCS





# Step 3

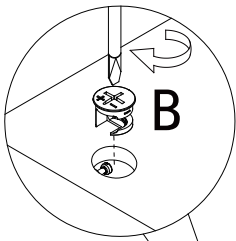
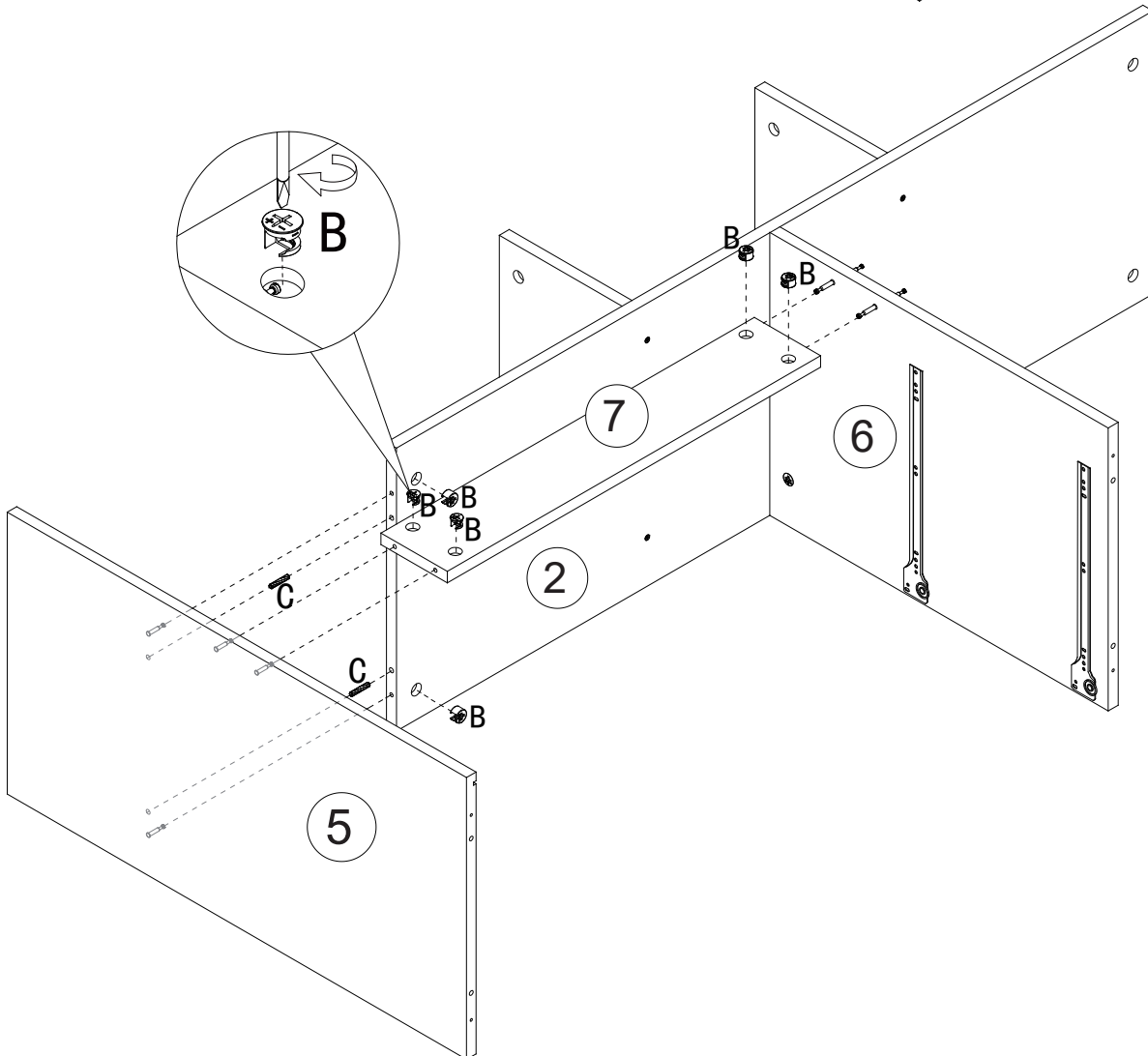
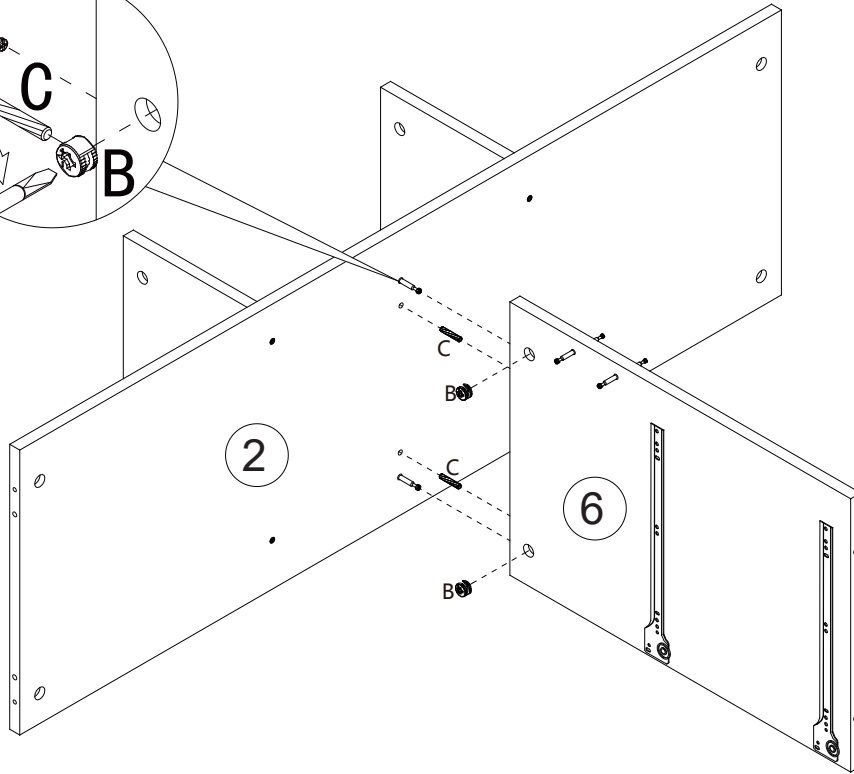
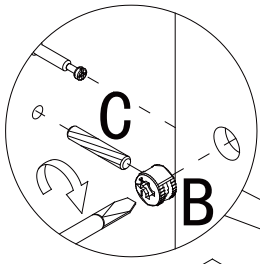


# Step 4




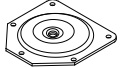


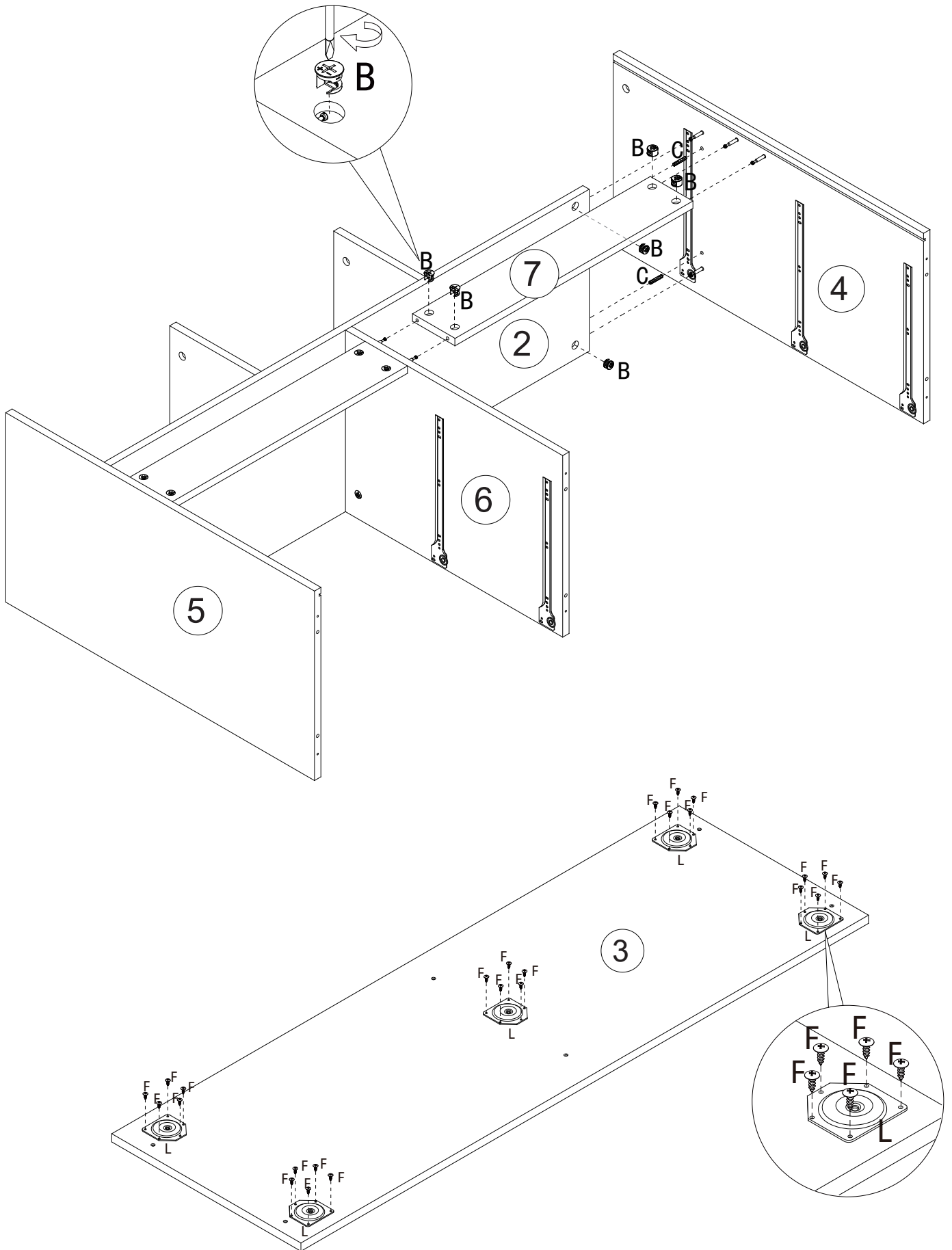
# Step 5

	
B	8PCS
C	4PCS

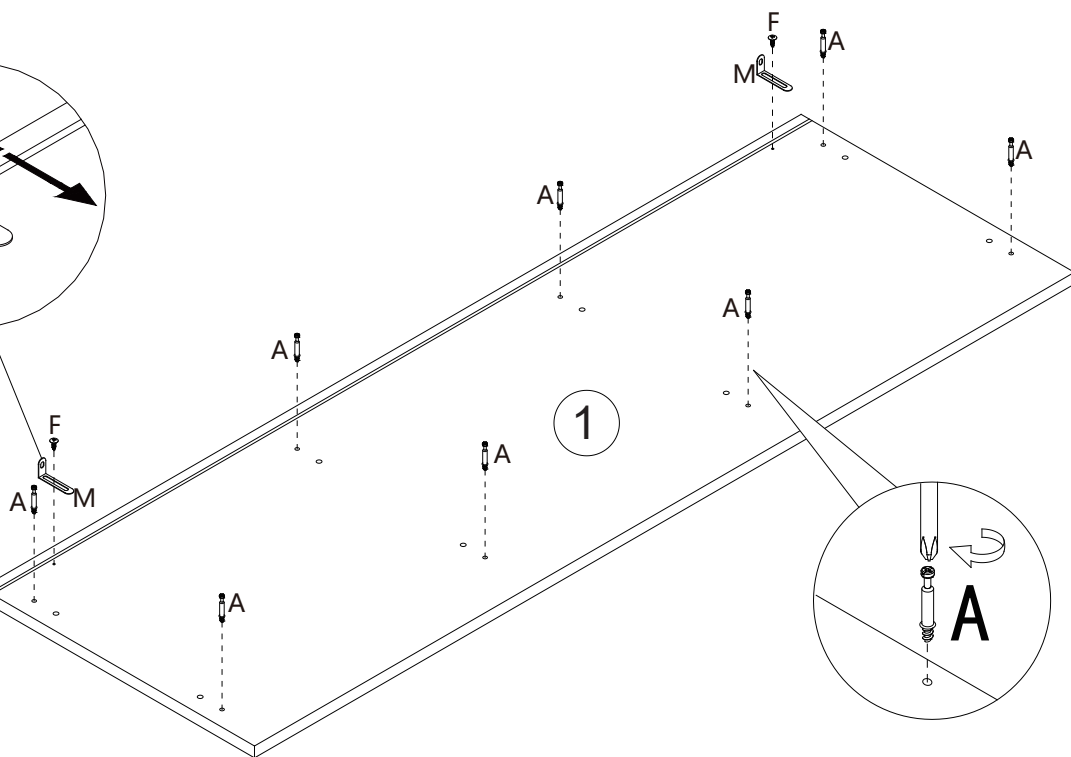
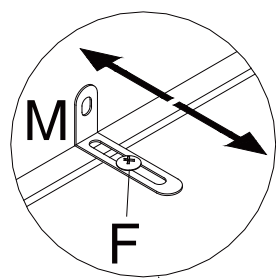
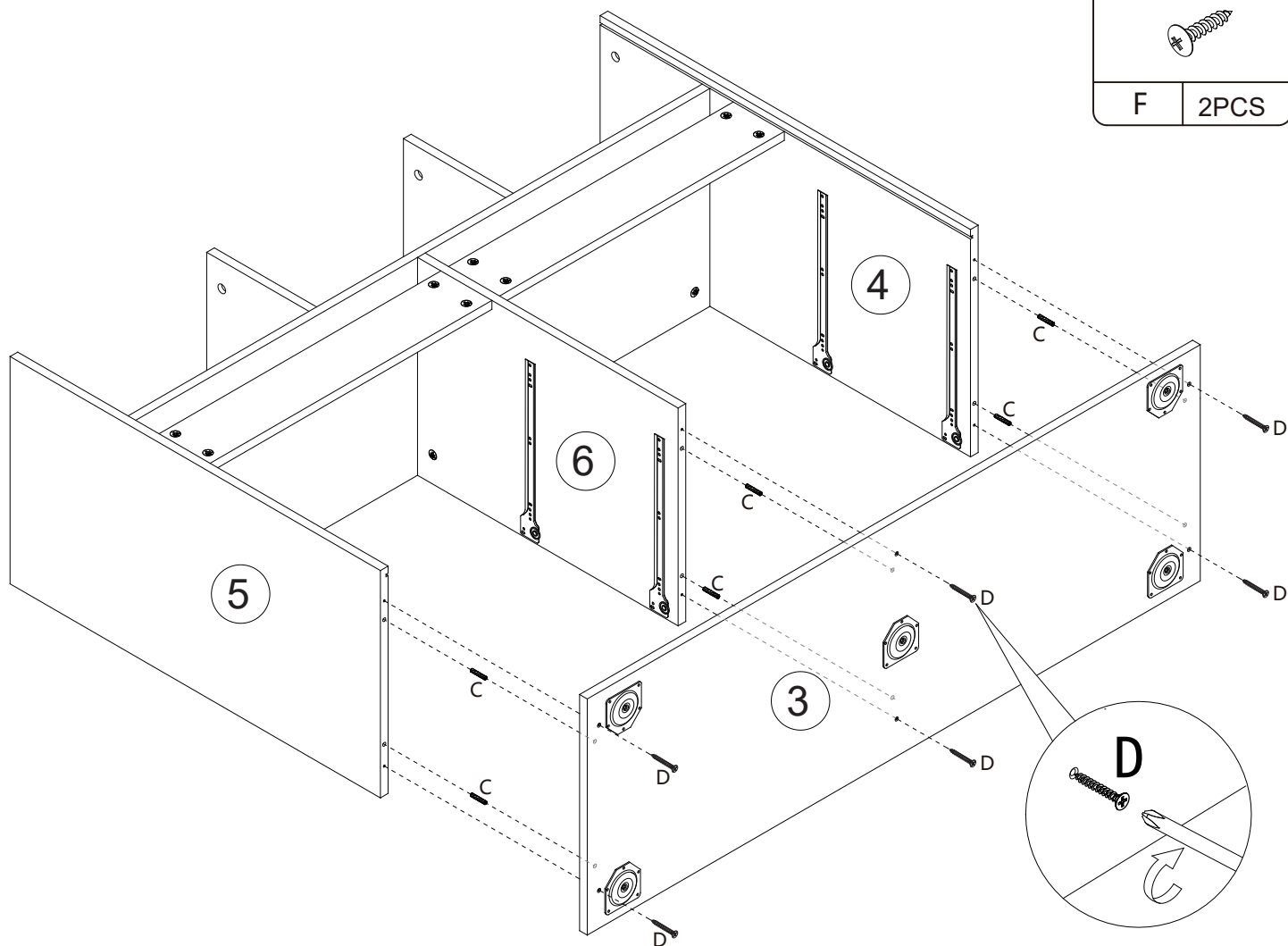
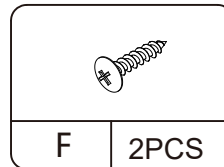
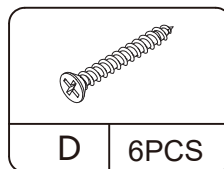
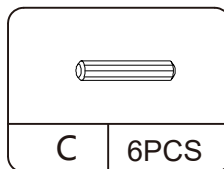
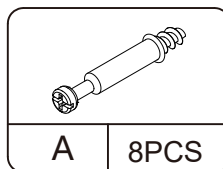
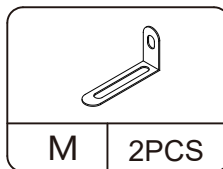


# Step 6

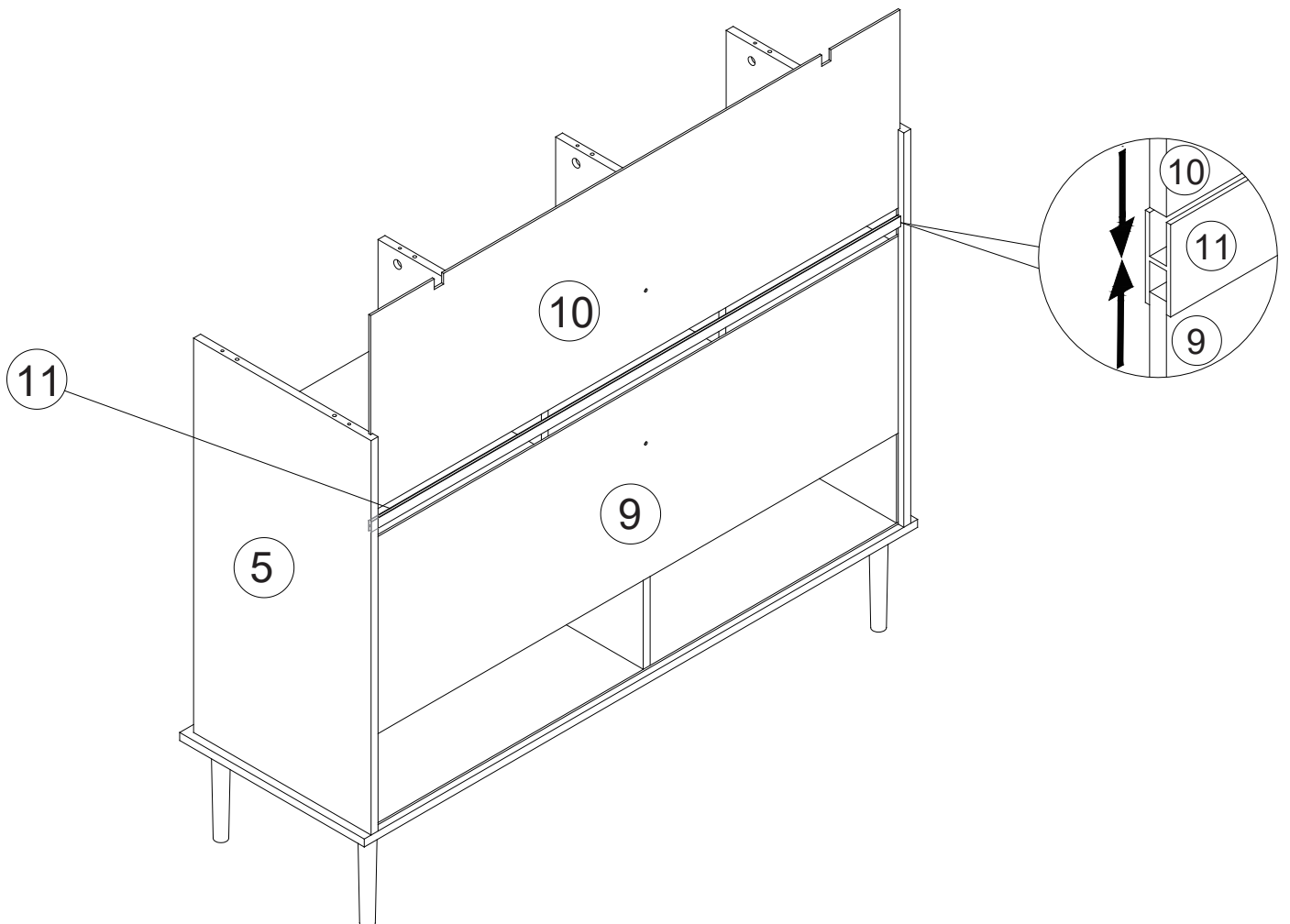
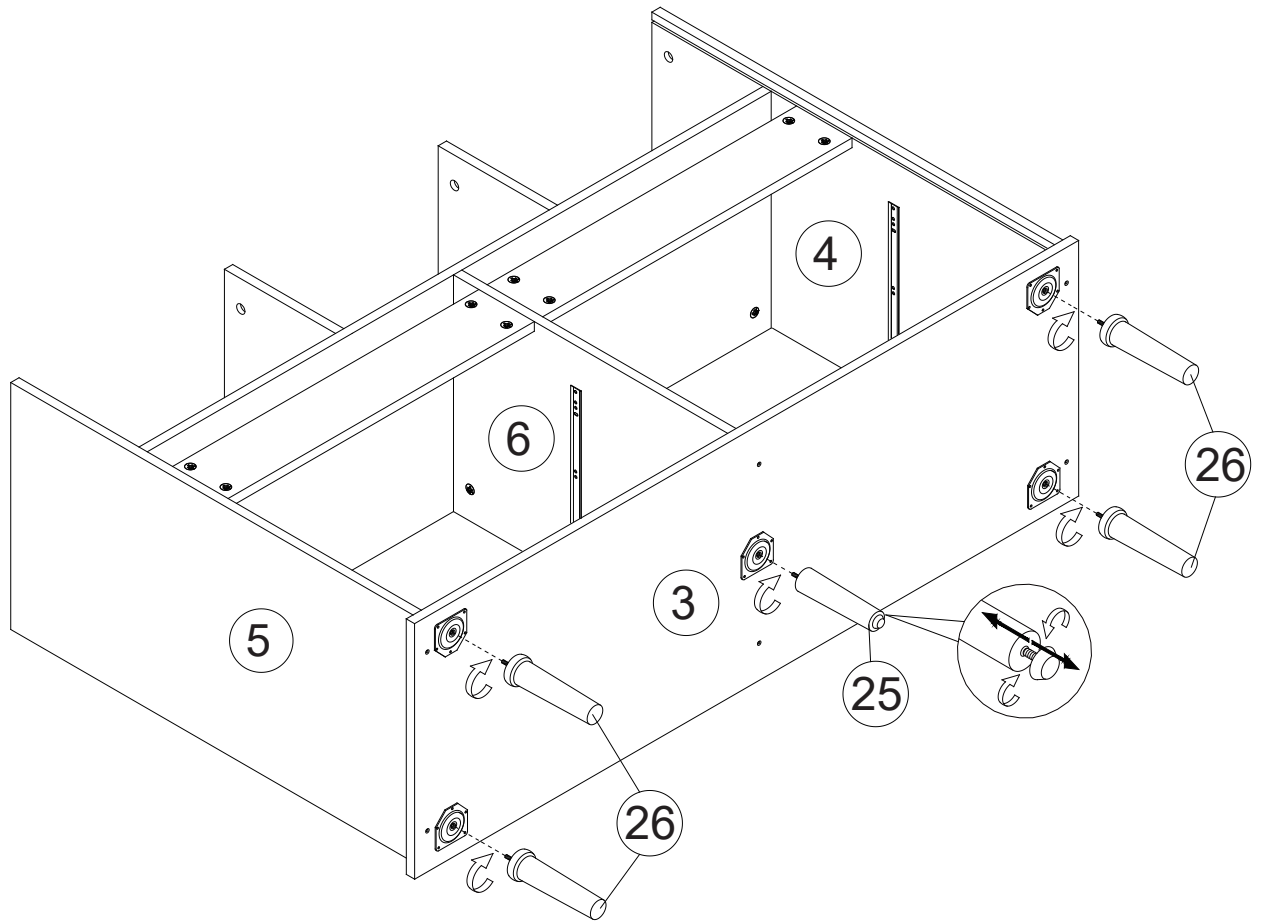
			
B   6PCS	C   2PCS	F   25PCS	L   5PCS





# Step 7

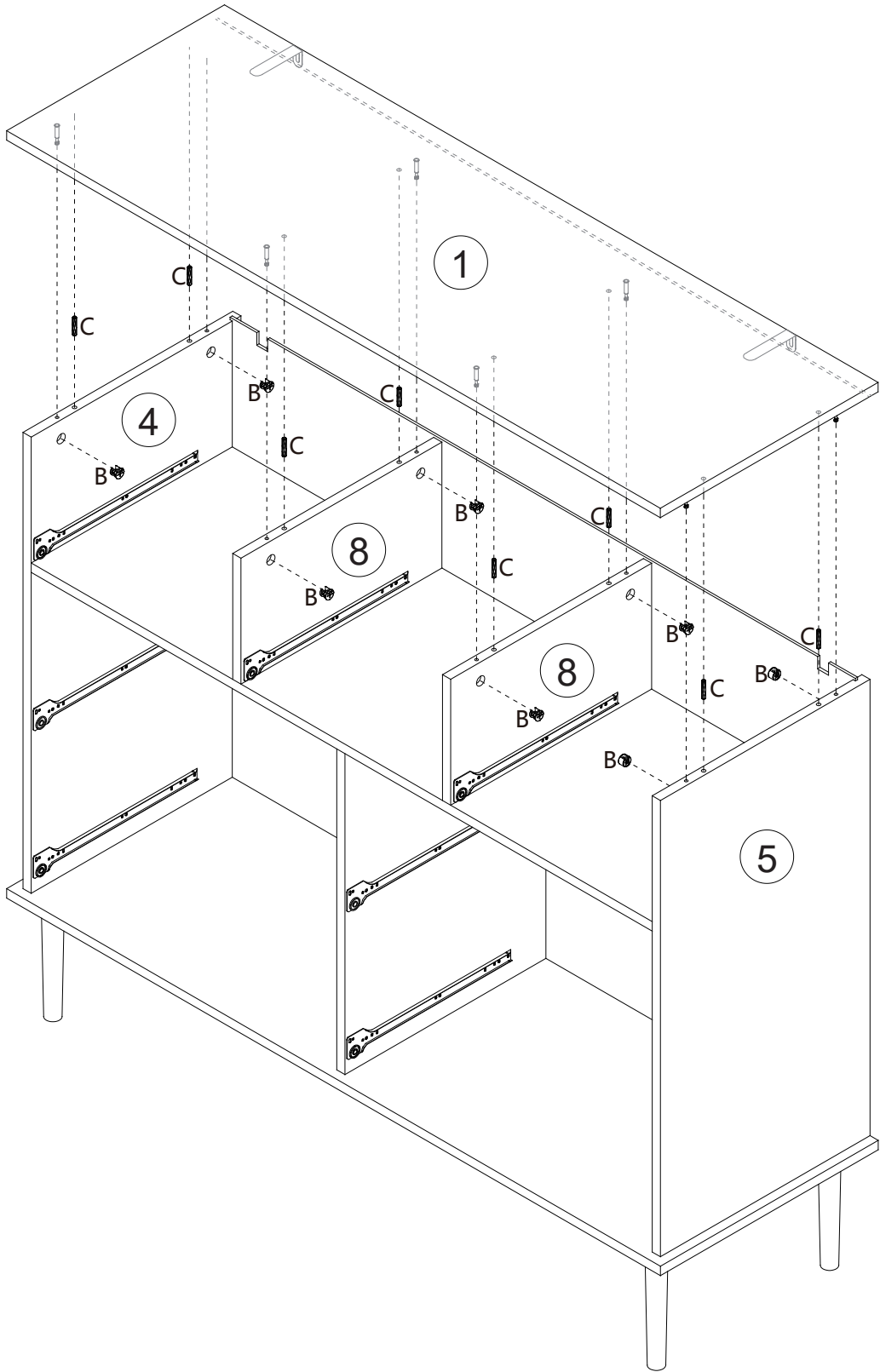


# Step 8





# Step 9

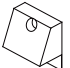
			
B	8PCS	C	8PCS

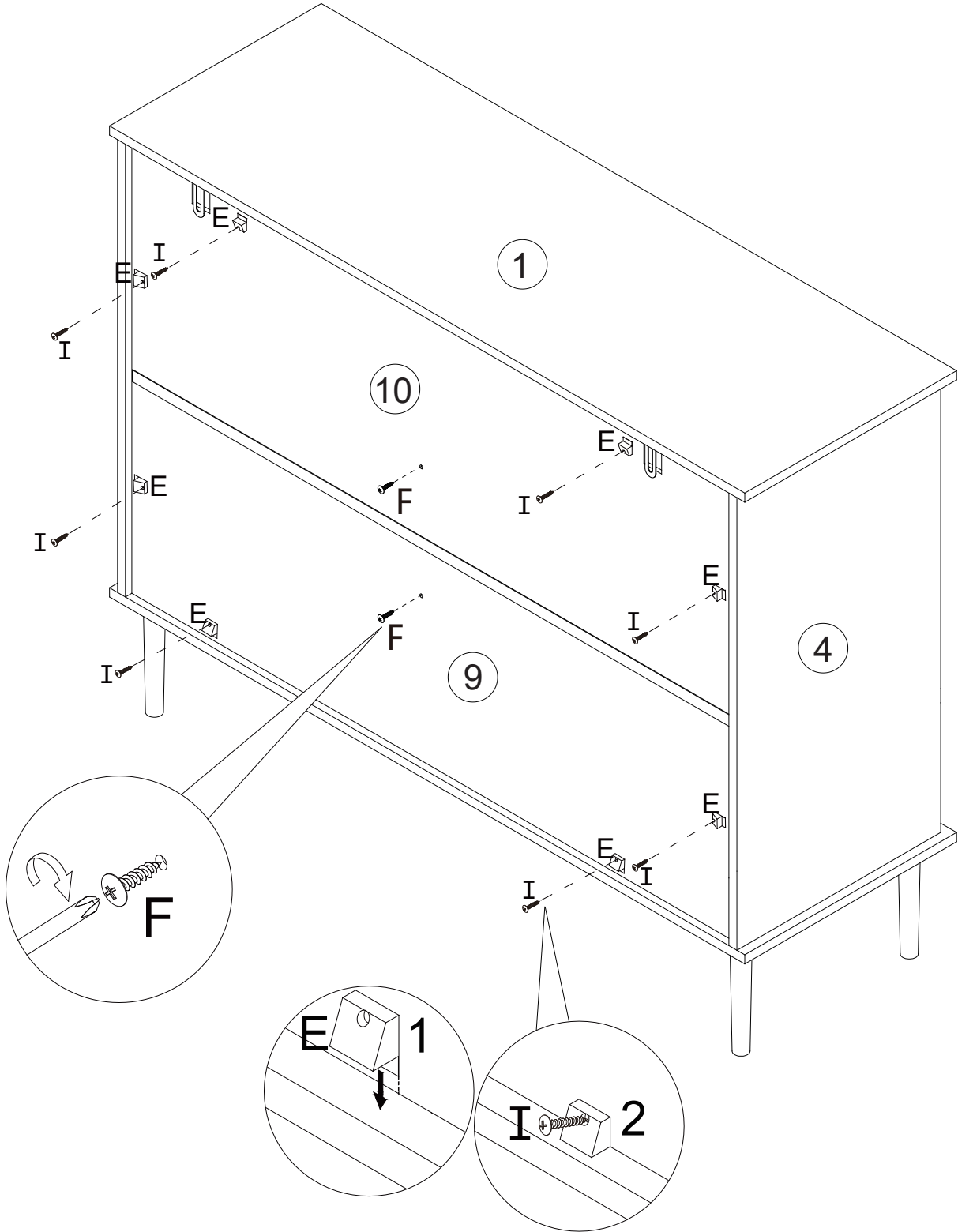


# Step 10

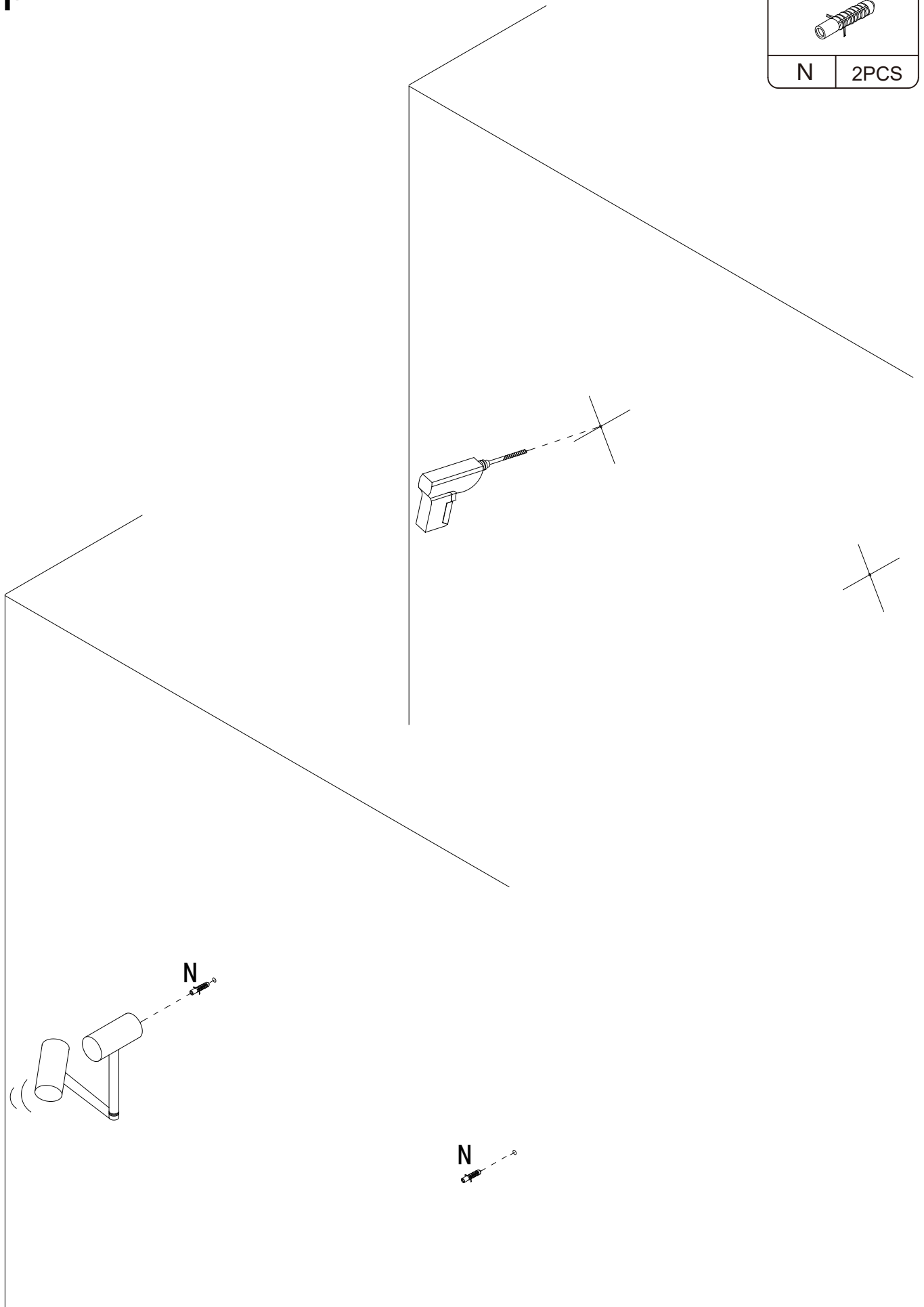
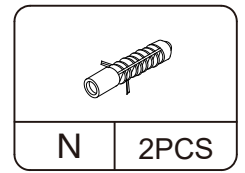
	
F	2PCS

	
I	8PCS

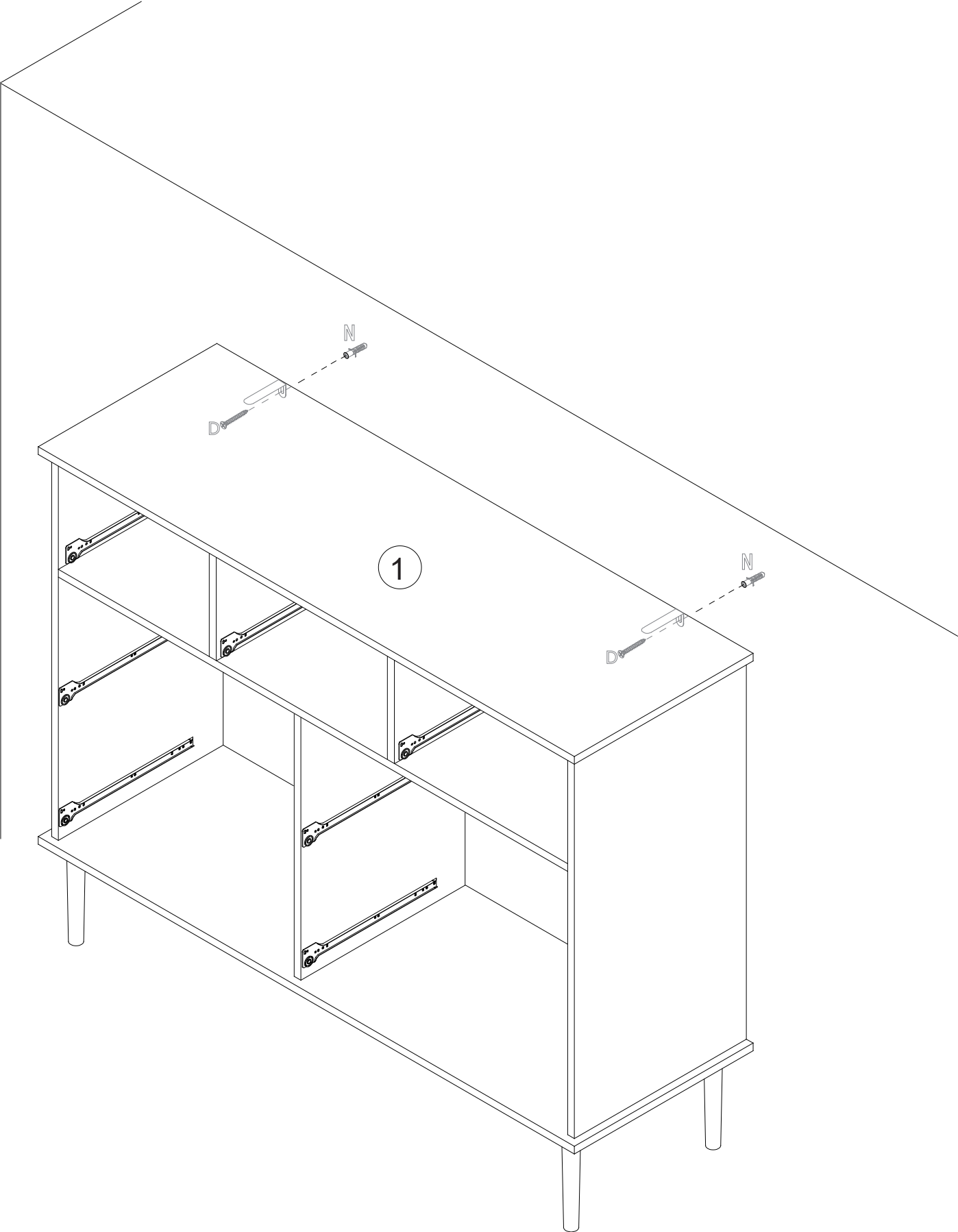
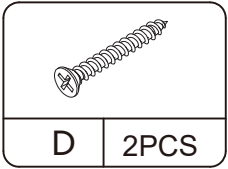
	
E	8PCS




# Step 11

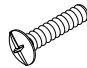


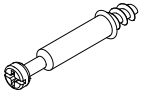
# Step 12

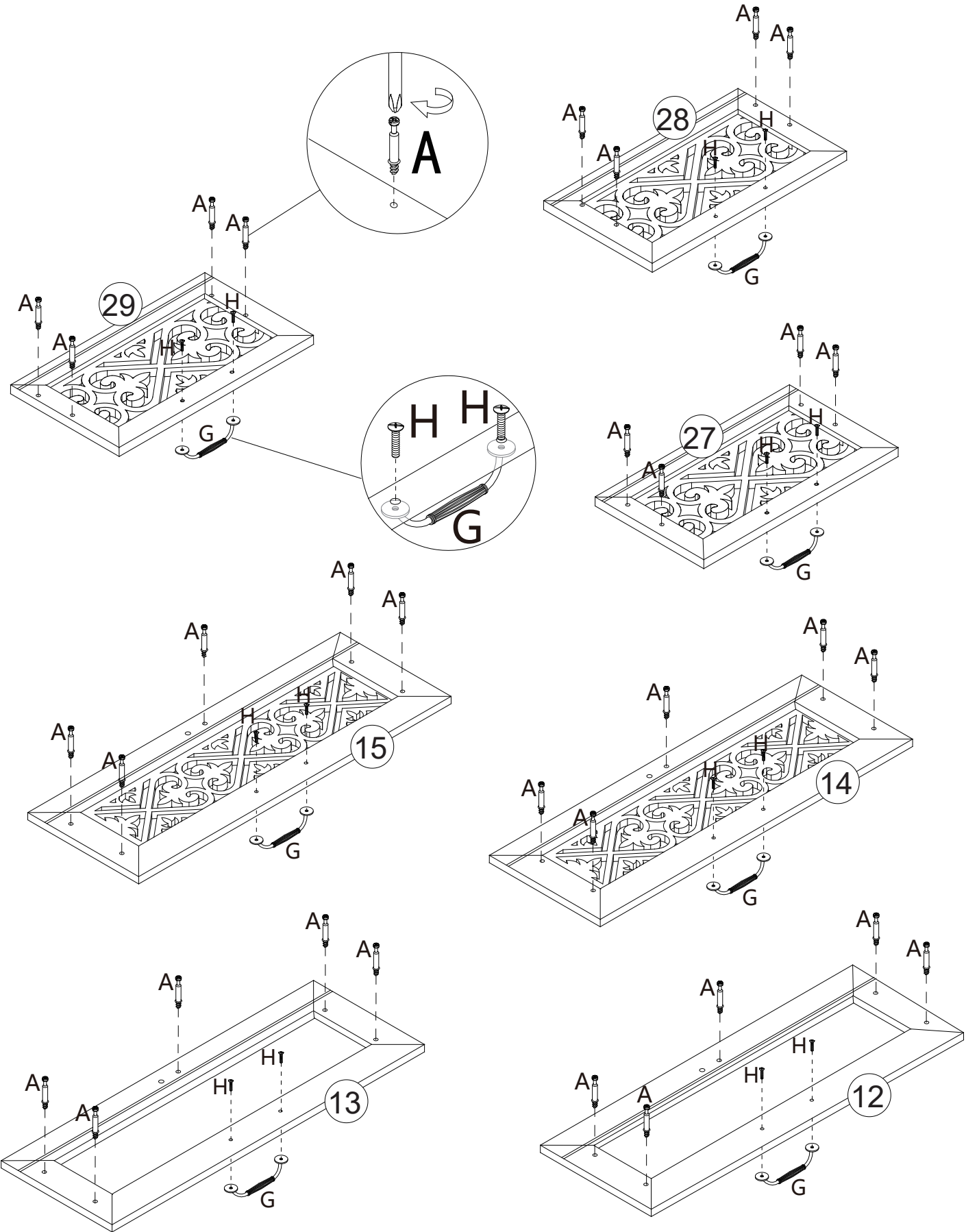


# Step 13

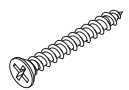
	<b>G</b>	<b>7PCS</b>
---	----------	-------------

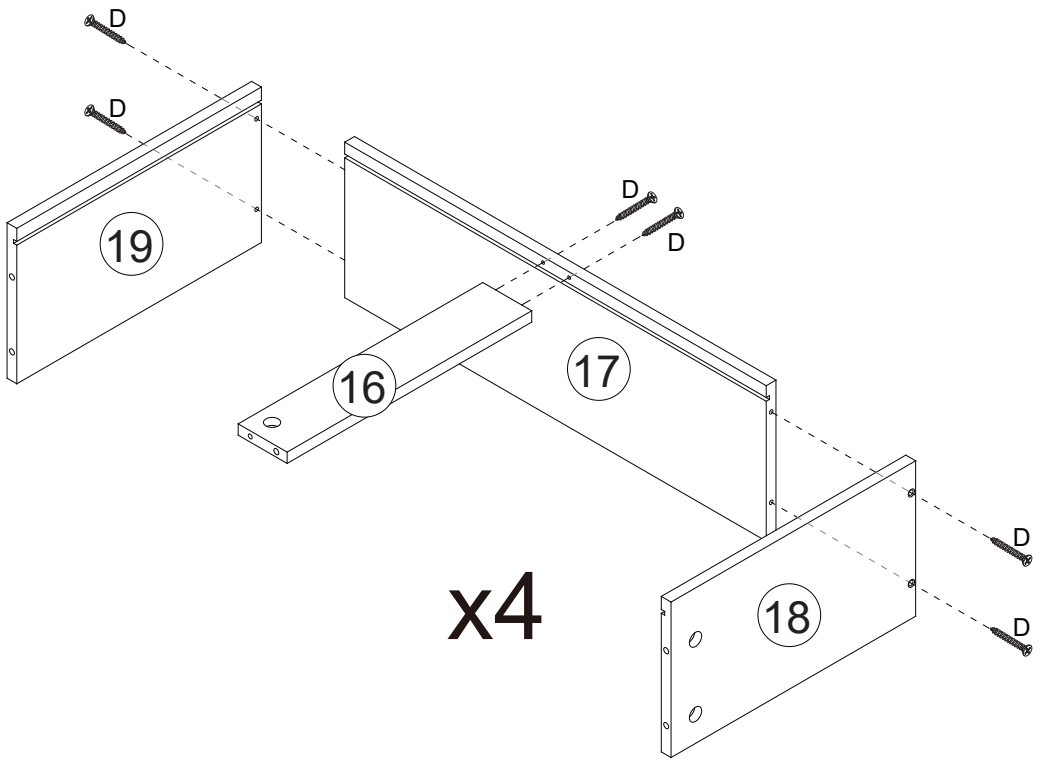
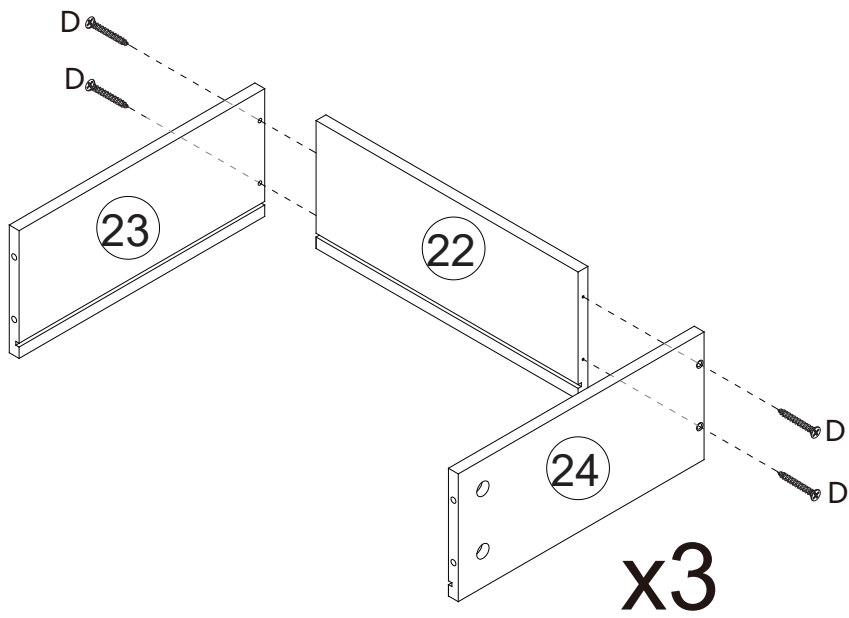
	<b>H</b>	<b>14PCS</b>
--	----------	--------------

	<b>A</b>	<b>32PCS</b>
--	----------	--------------

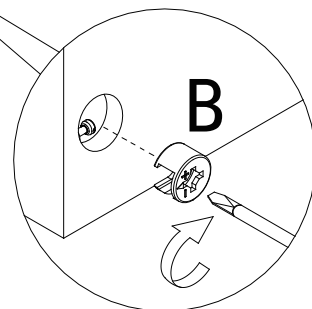
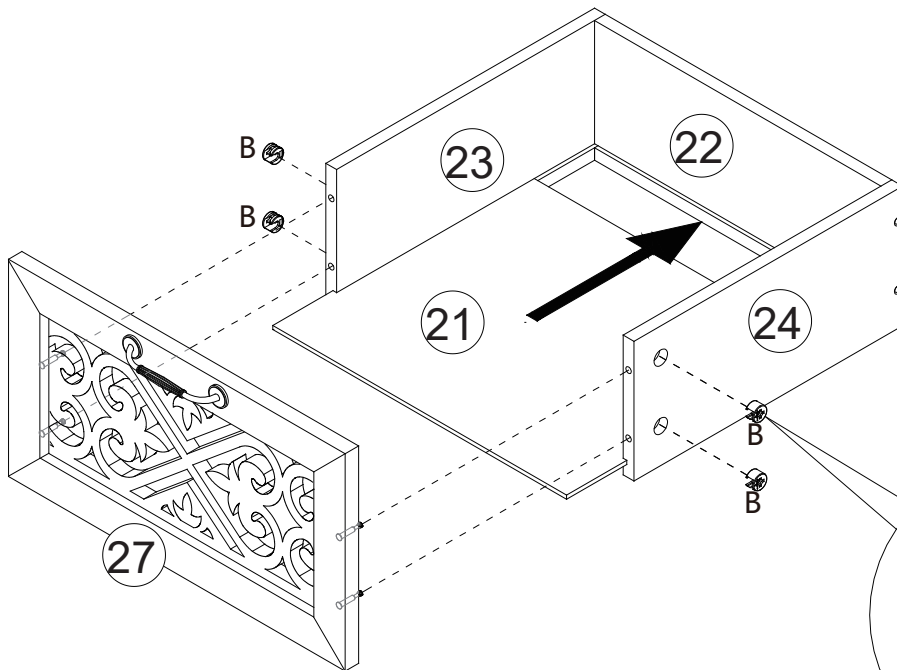
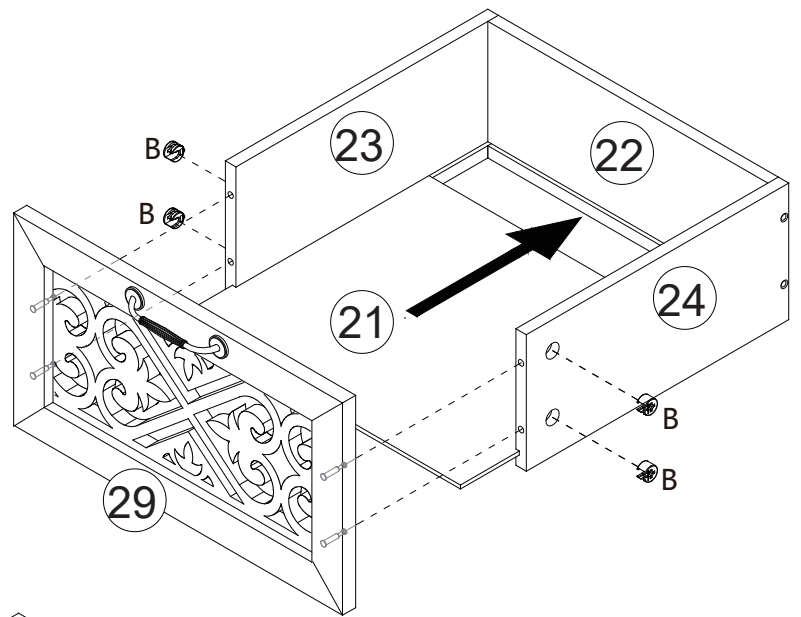
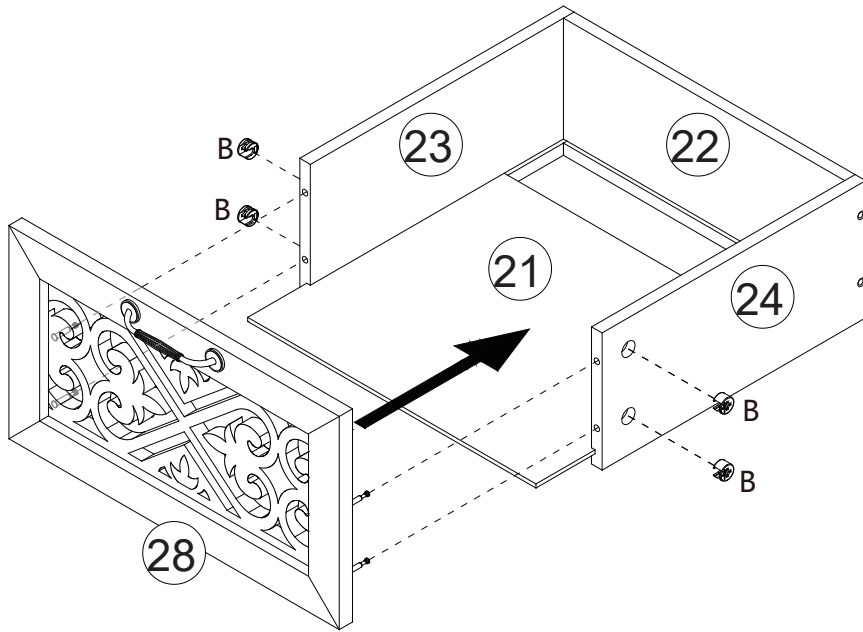
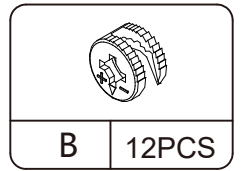


# Step 14

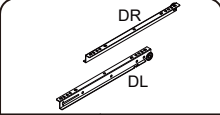

	
D	36PCS

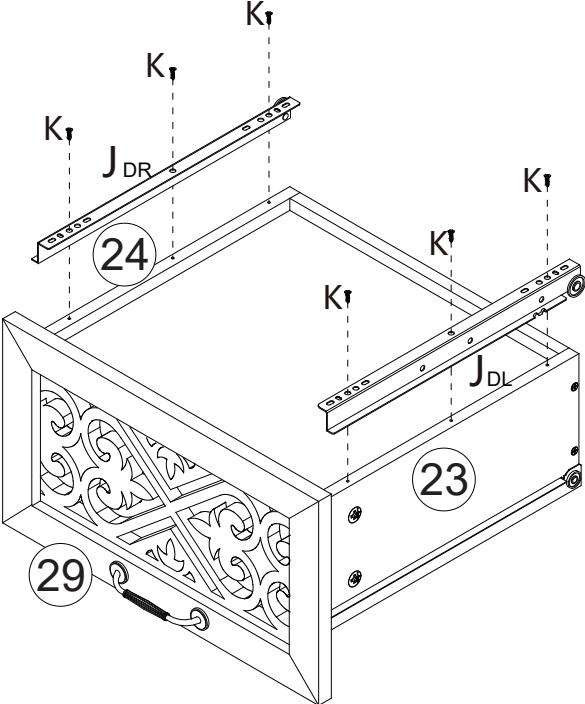
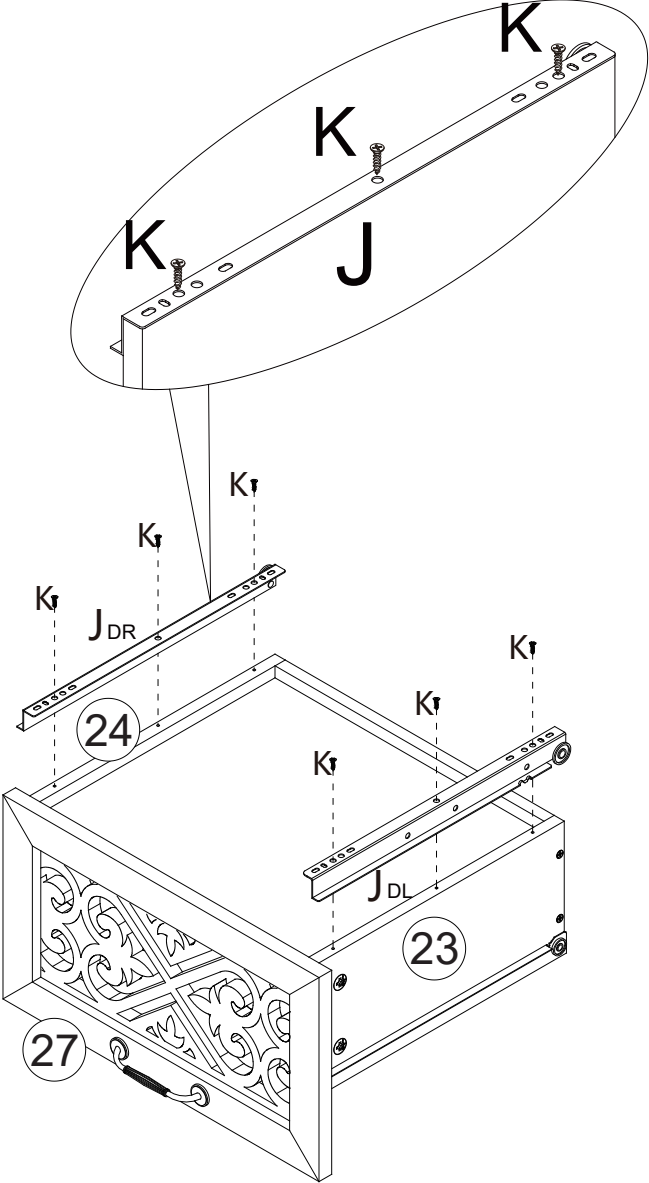
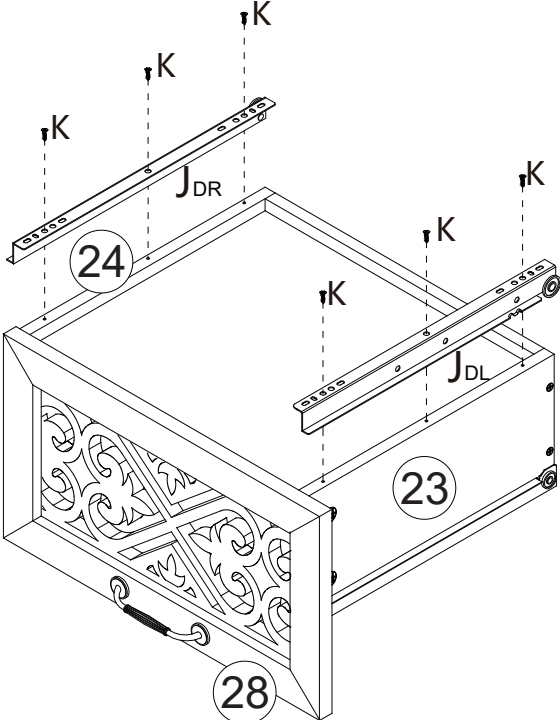


# Step 15

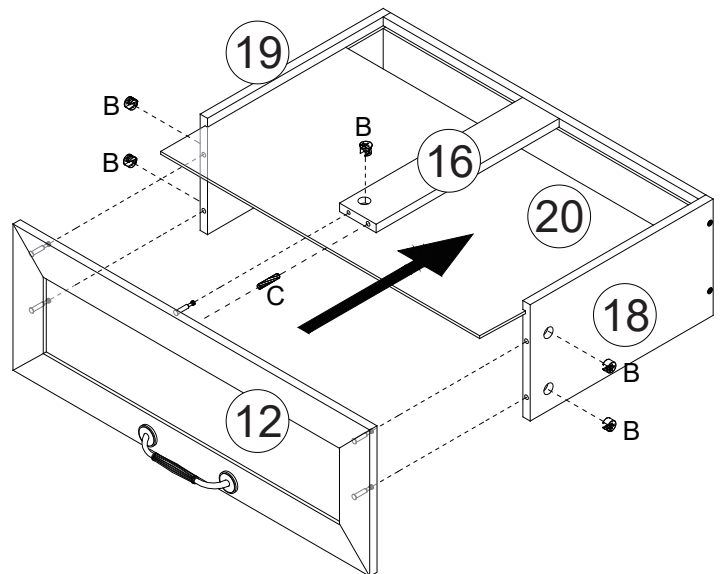
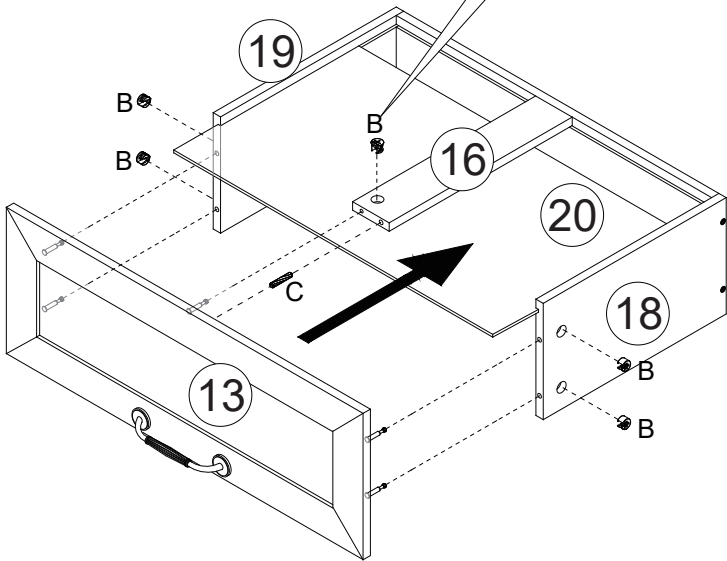
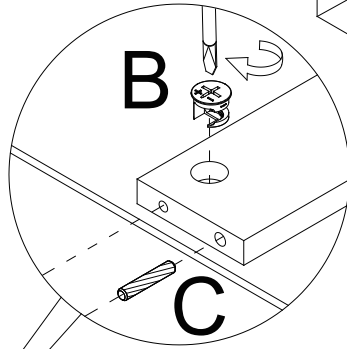
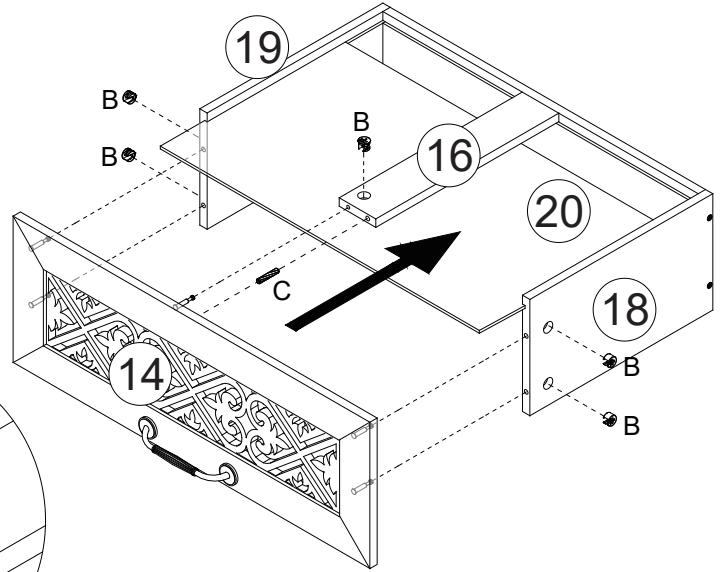
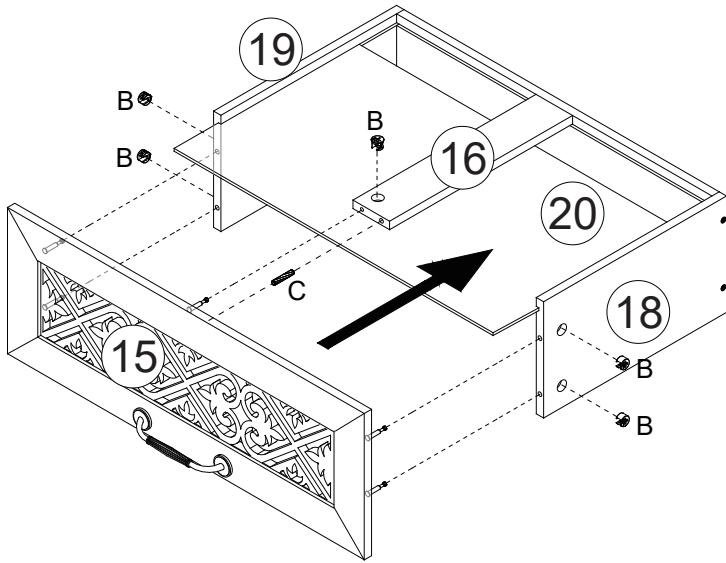
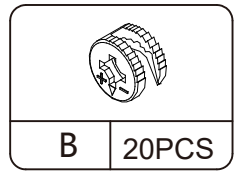
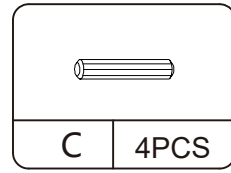


# Step 16

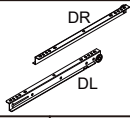

			
J	3PCS	K	18PCS

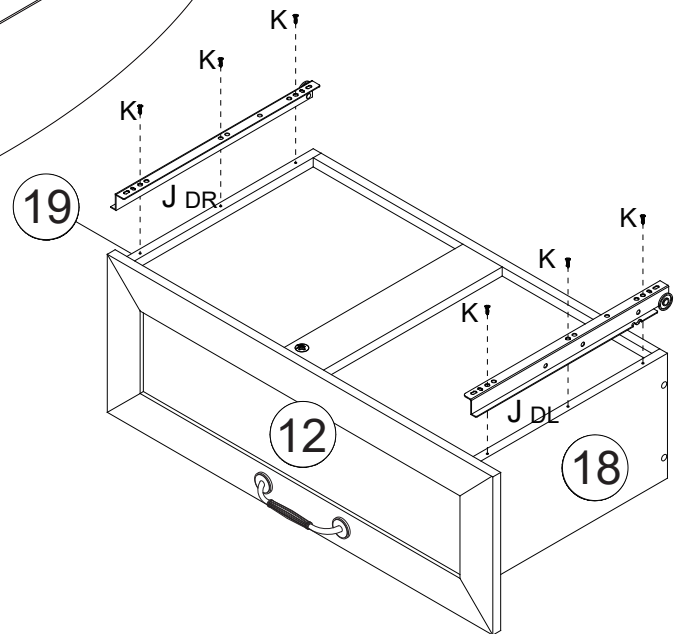
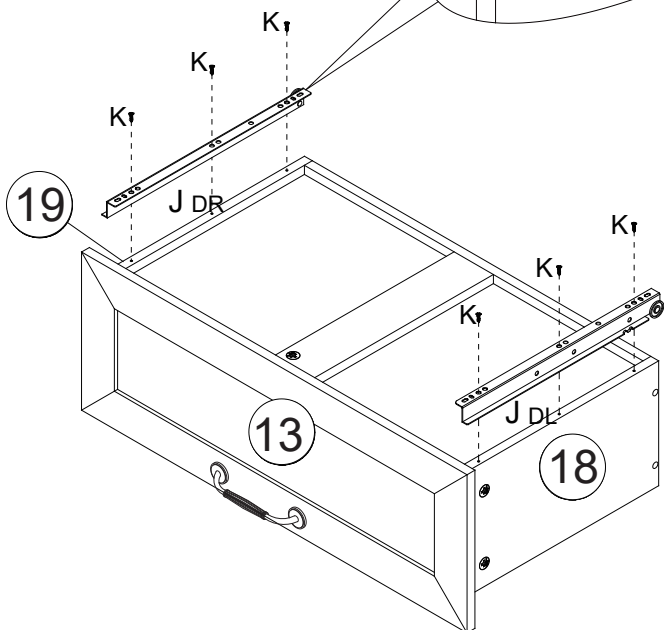
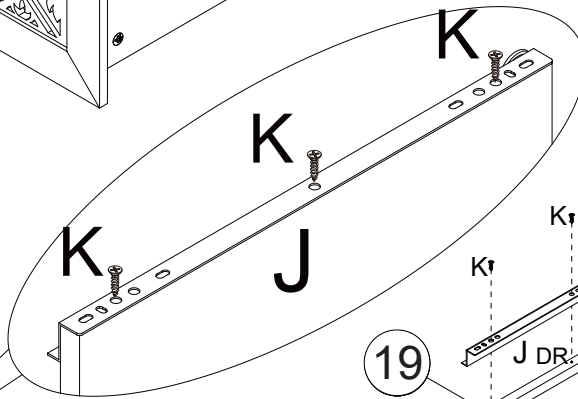
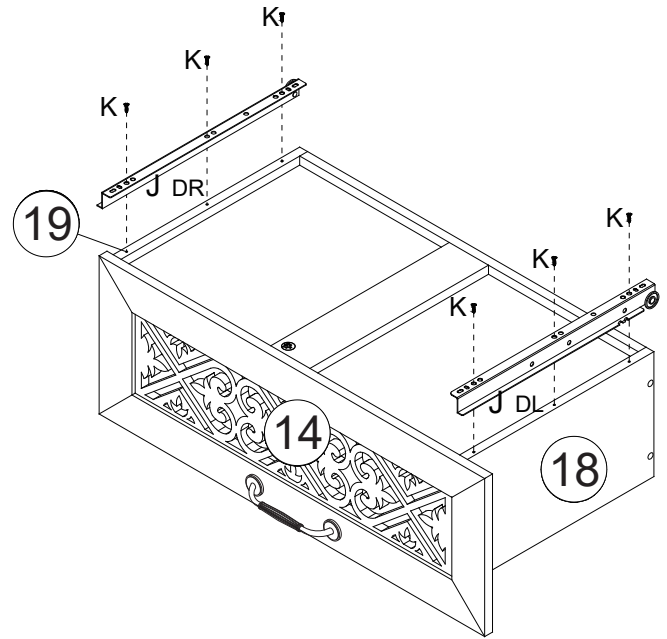
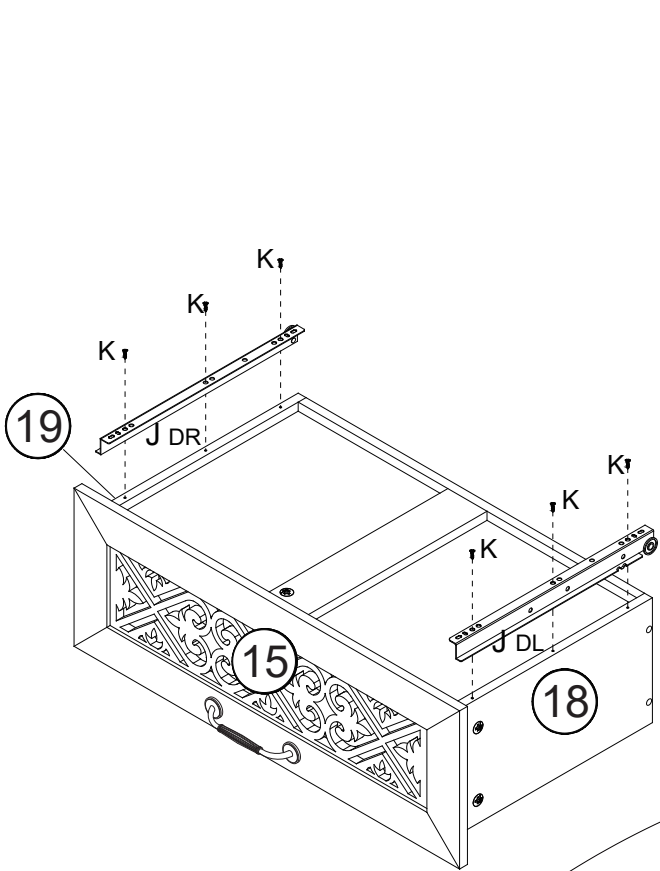


# Step 17

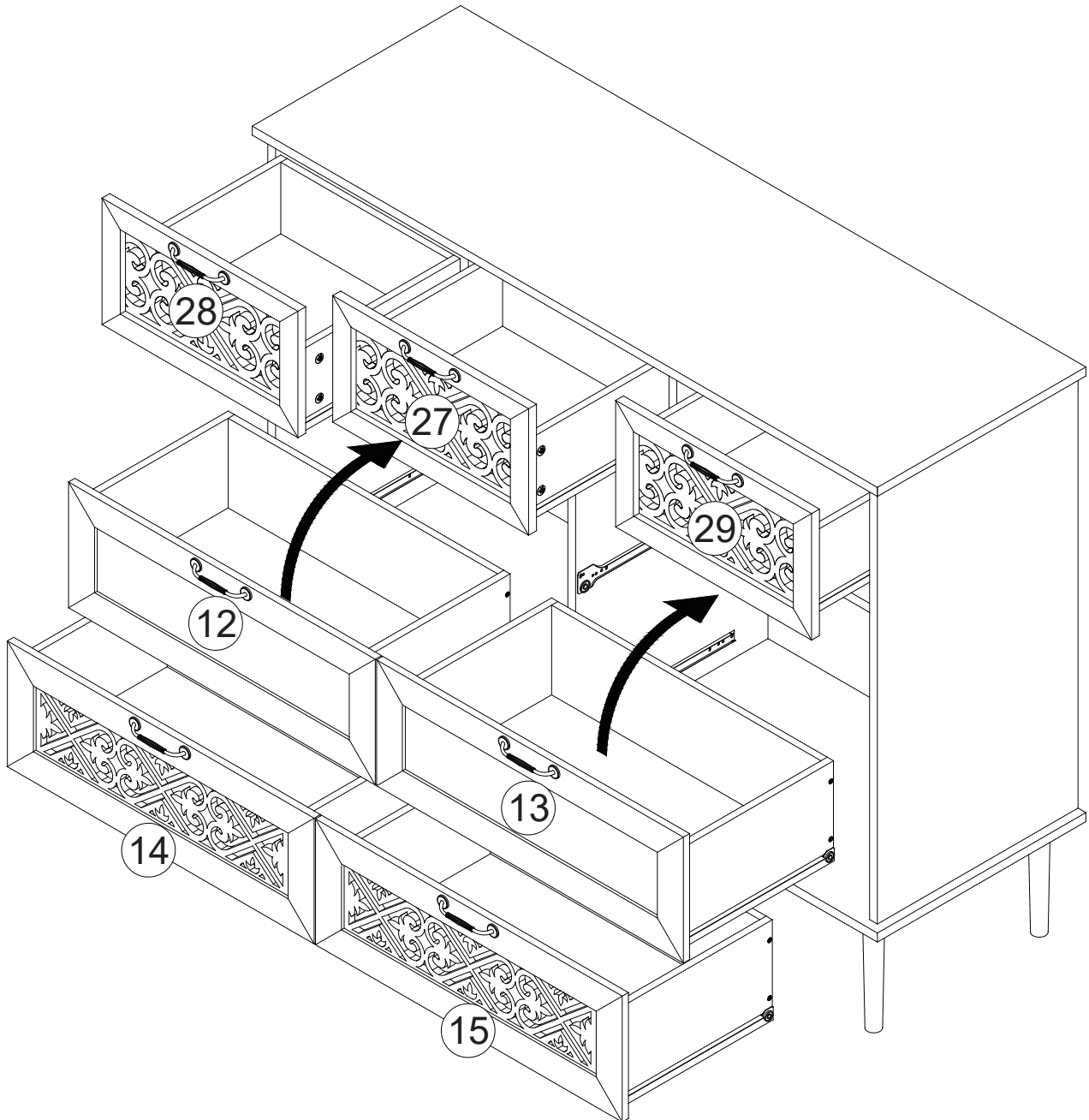


# Step 18

			
J	4PCS	K	24PCS



# Step 19



# Proper Use

- DO NOT** use for commercial purposes
- DO NOT** use as a step stool or stand on table
- DO NOT** put hot serving liquid directly on the table top
- DO NOT** leave spilled liquid on the table top
- DO NOT** use table if damaged
- DO NOT** exceed weight limit
- DO NOT** make temporary repairs
- DO NOT** use outdoor

Dear Customer :

Thank you for purchasing our product,we wish you satisfy our service,if you have any further questions or any quality issues, please show the belows number and don't hesitate to contact our Customer Service People:

**W688202309**