
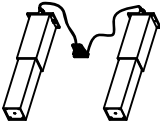
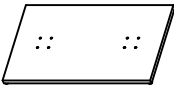
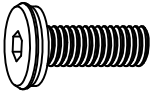
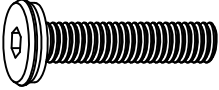

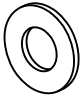
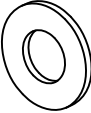




ASSEMBLING INSTRUCTION

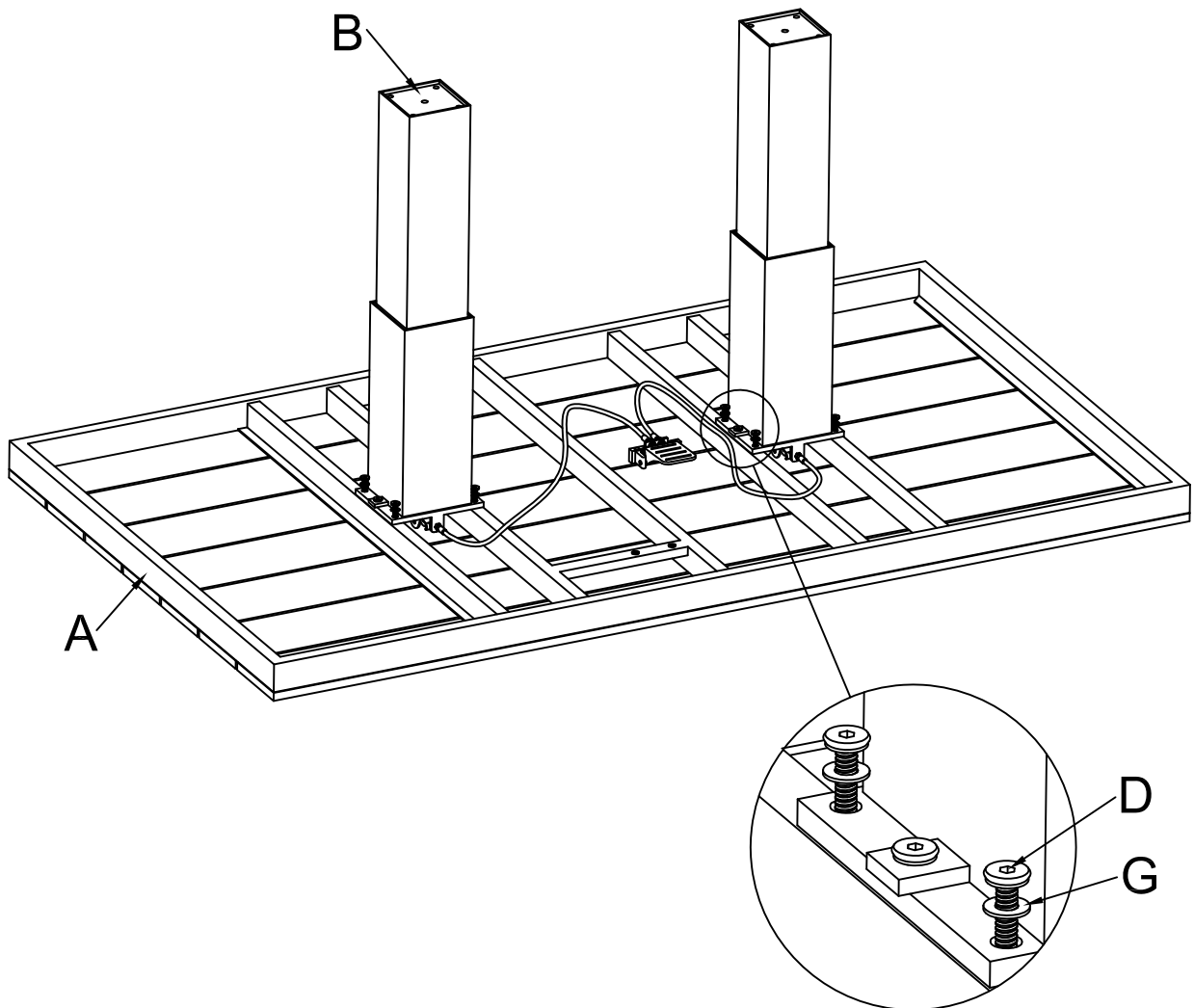
ADJUSTABLE TABLE 150X87XH74.5

| | | |
|---|--|------|
| A |  | 1pc |
| B |  | 1pc |
| C |  | 1pc |
| D |  M6*20 | 8pcs |
| E |  M6*35 | 2pcs |

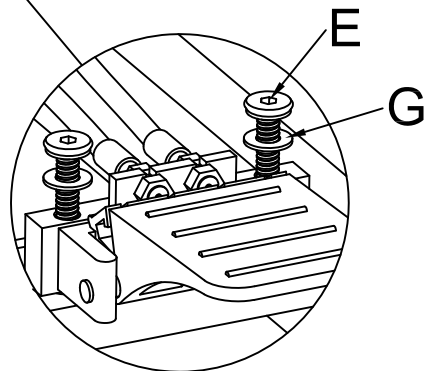
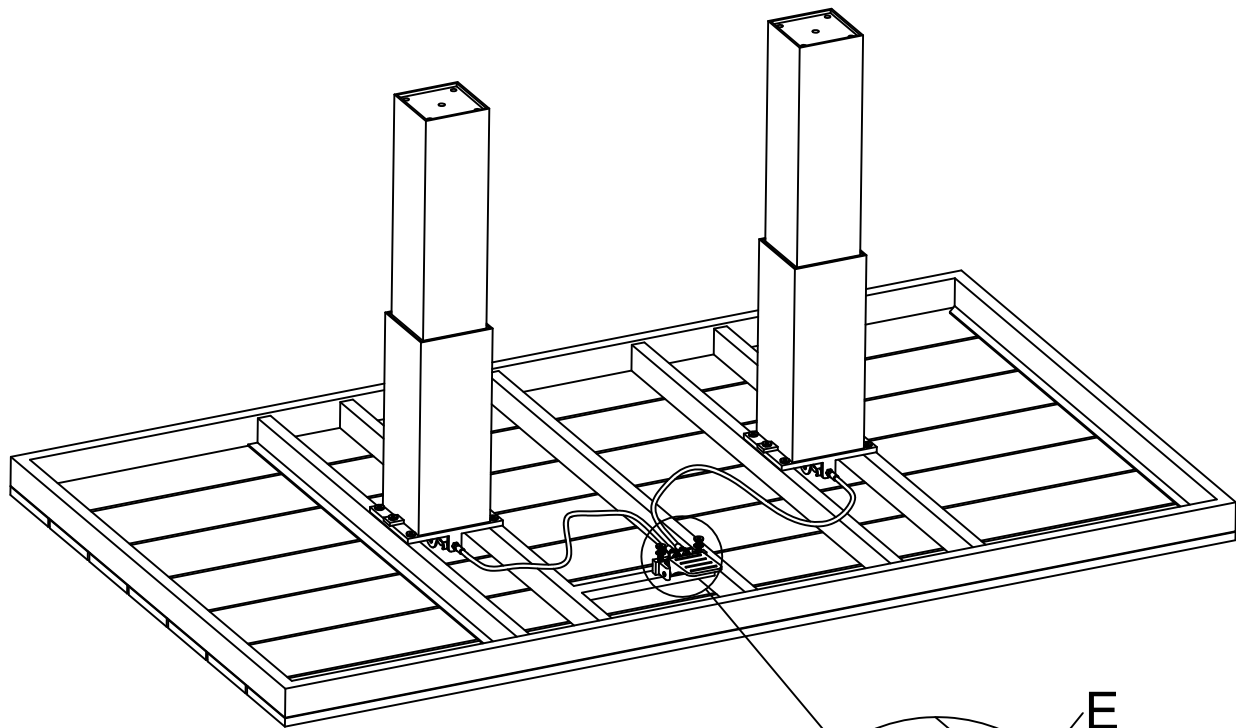
| | | |
|---|--|-------|
| F |  M8*30 | 8pcs |
| G |  M6 | 10pcs |
| H |  M8 | 8pcs |
| I |  | 1pc |
| J |  | 1pc |

Note: first screw all bolts in by hand, before tightening.

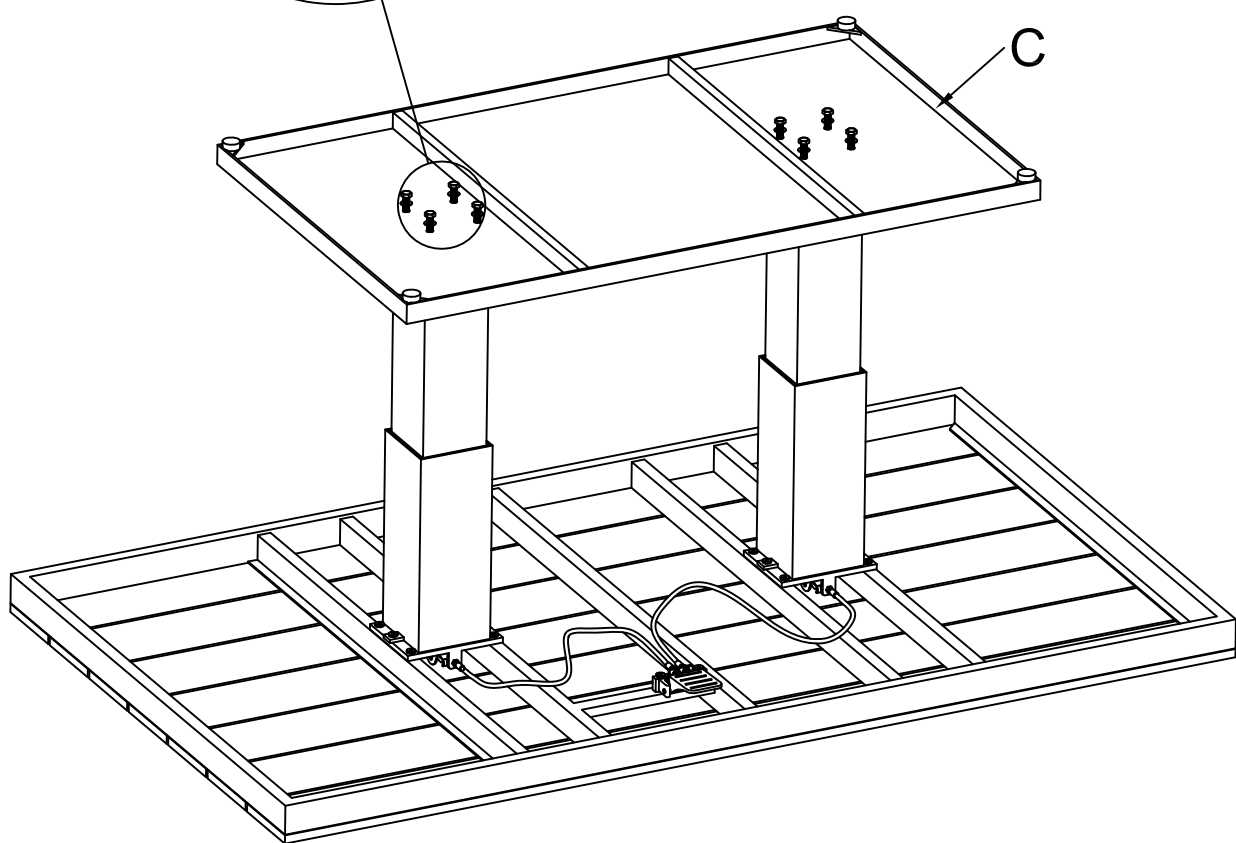
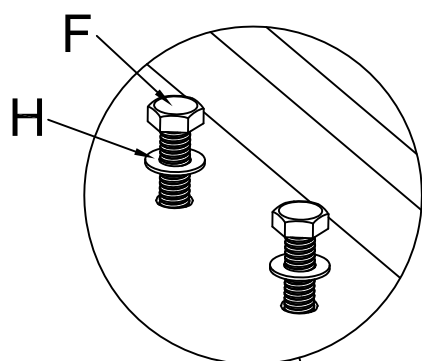
①



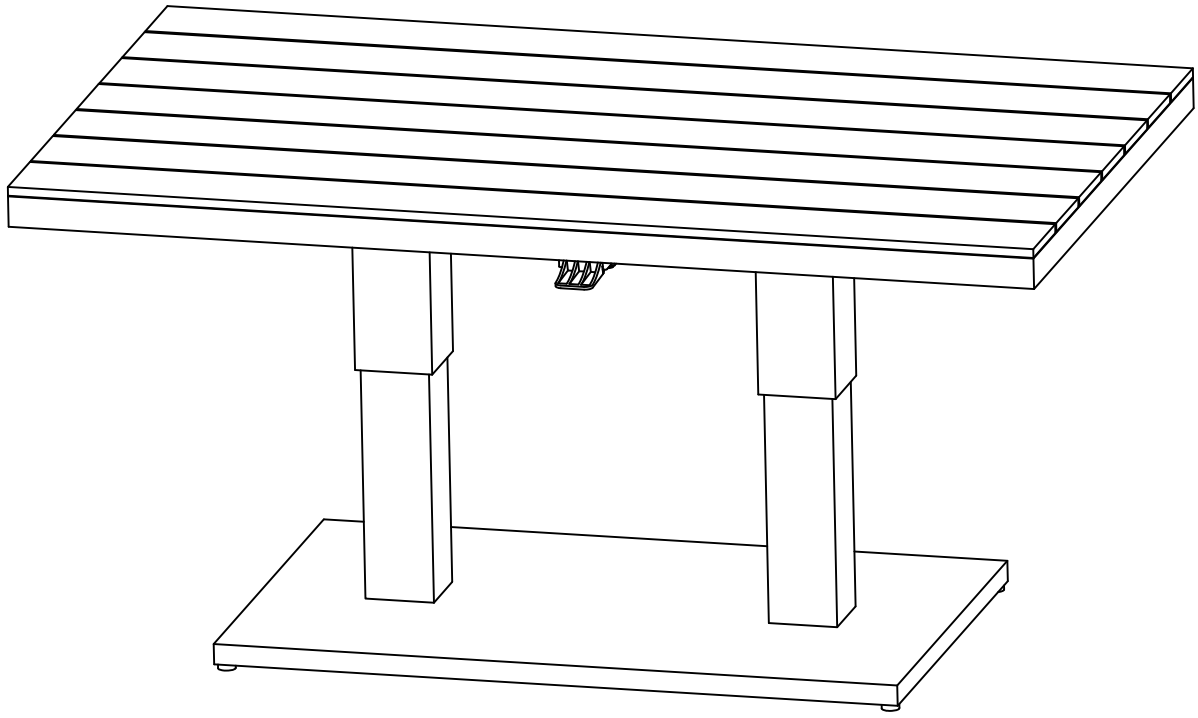
2



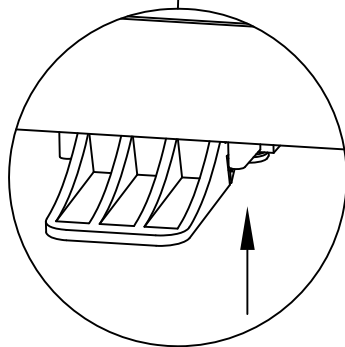
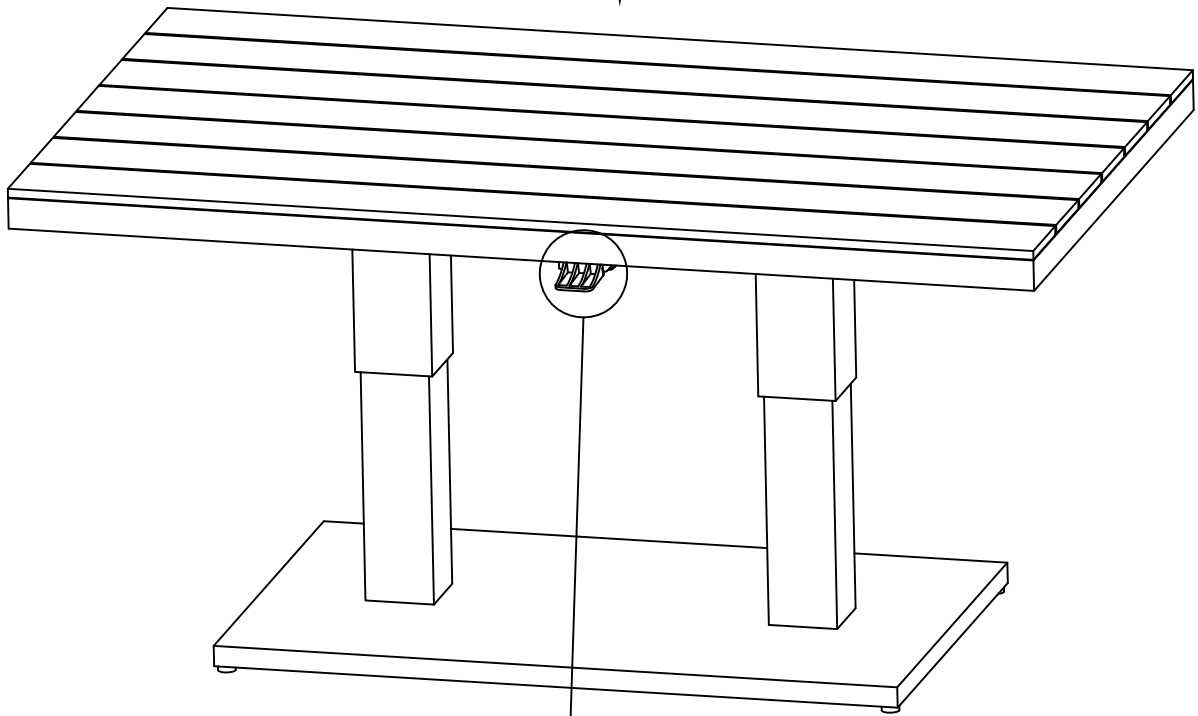
3



4



5



6

