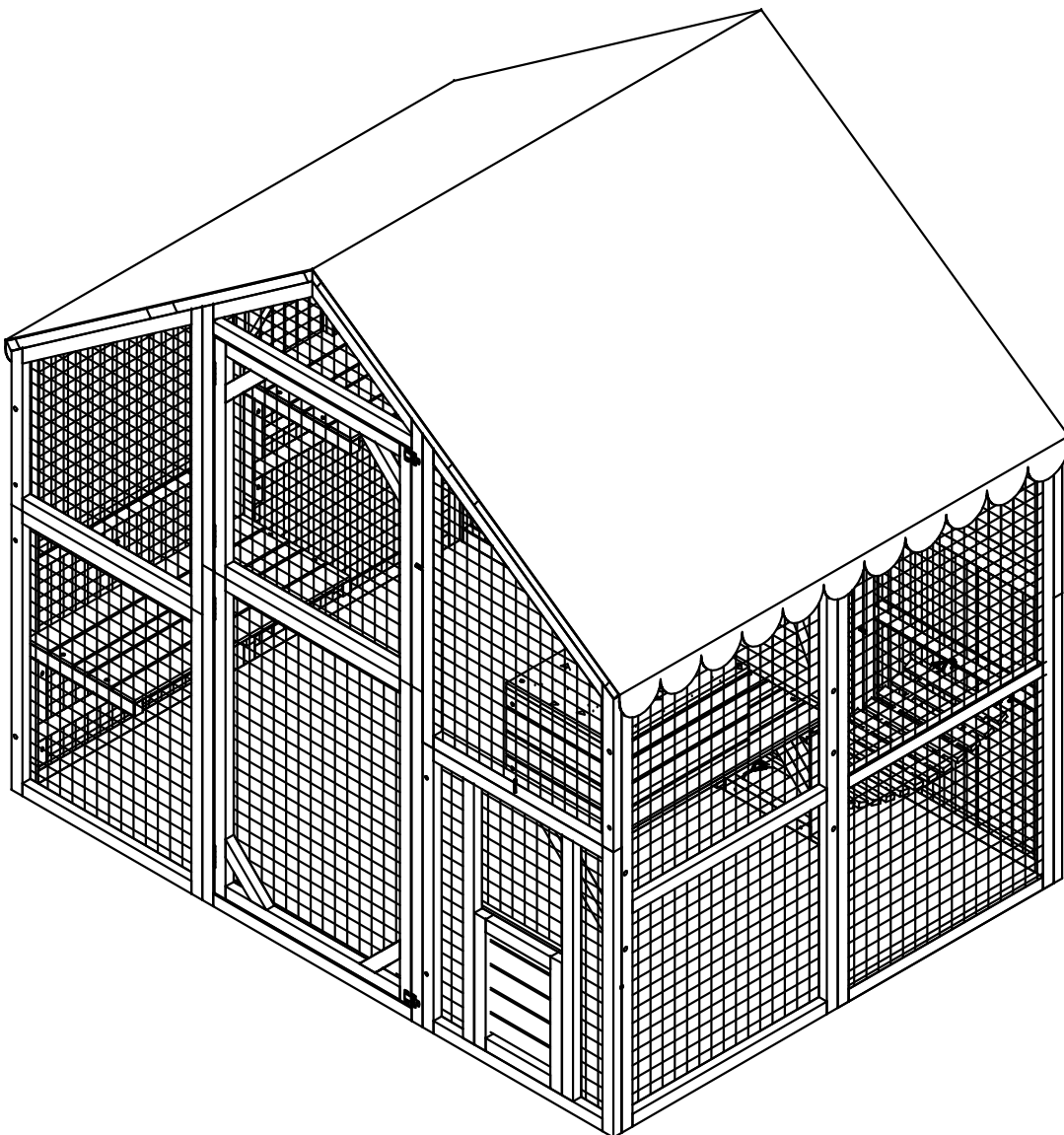


INSTRUCTION MANUAL



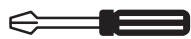


NOTICE

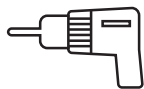
Please retain these instructions for future

- Firmly secure all bolts, screws and knobs before use.
- Reconfirm that all bolts, screws, and knobs are secure every 90 days.
- Fasten screws loosely during initial assembly. Do not fully tighten screws until the item is completely assembled.
- Do not use or store this item in the proximity of open flame or flammable/combustible chemicals.
- Be aware that some parts are heavy and have sharp edges.
- Be aware that moving parts can injure, crush and cut.
- If any parts are missing, broken, damaged, or worn, stop using this product until repairs are made and/or factory replacement parts are installed.
- Do not use this item in a way inconsistent with the manufacturer's instructions as this could void the product warranty.

TOOLS REQUIRED



PHILLIPS
SCREWDRIVER



DRILL
(RECOMMENDED)



2PERSON
ASSEMBLY



APPROXIMATELY
120MIN. ASSEMBLY

HARDWARE

M6.0x80 mm BOLT
4PCS+1 spare



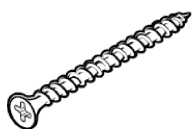
P1

M6.0x70 mm BOLT
28PCS+1 spare



P2

M4.0x60 mm SCREW
28PCS+1 spare



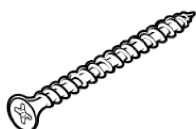
P3

M3.5x50 mm SCREW
12PCS+1 spare



P4

M3.5x40 mm SCREW
34PCS+1 spare



P5

M3.5x35 mm SCREW
8PCS+1 spare



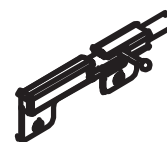
P6

M3.5x25 mm SCREW
16PCS+1 spare



P7

Spare latch
1PC



P8

M3.0x16 mm SCREW
2PCS+1 spare

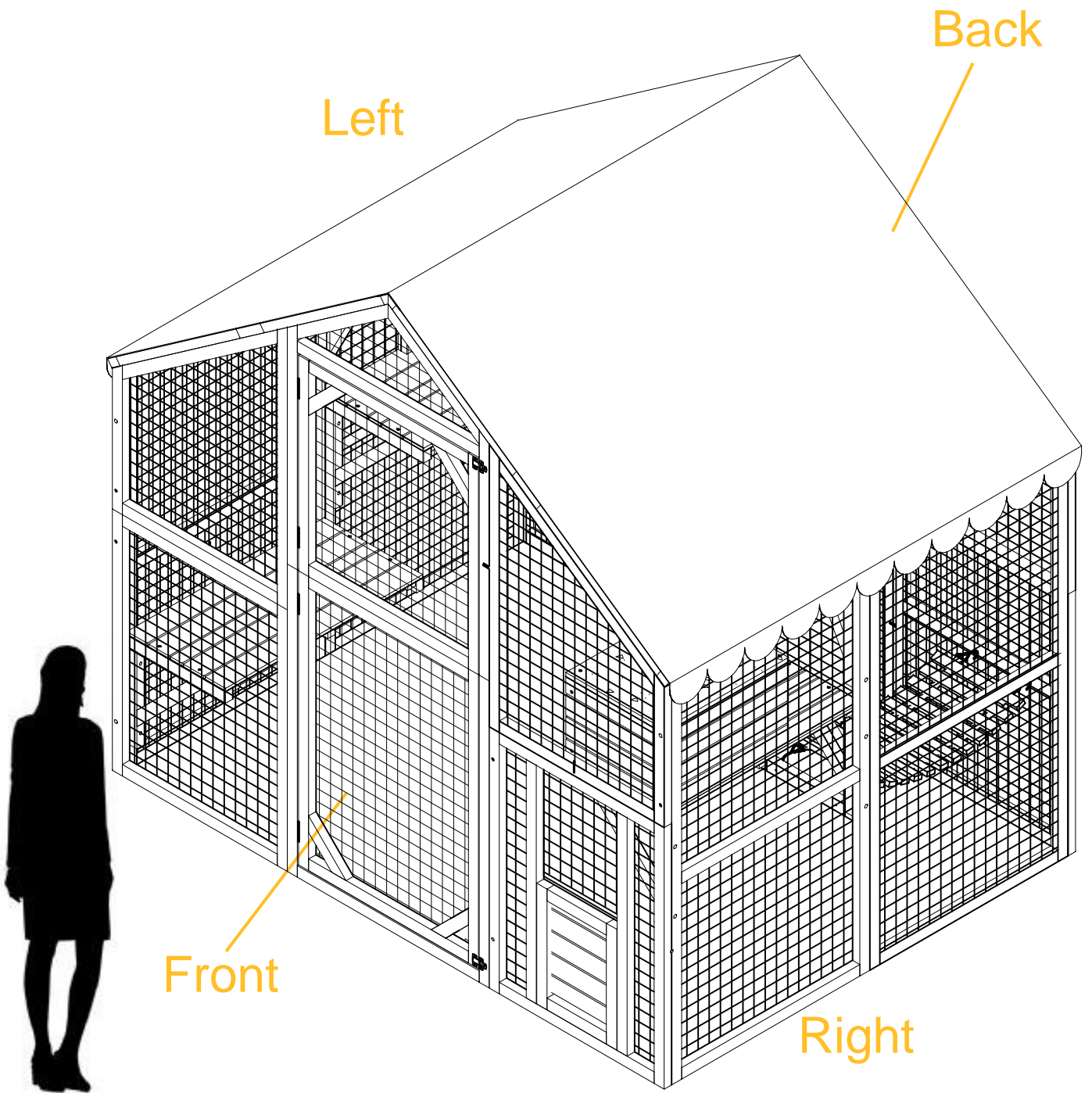


P9

Eye hook
2PCS



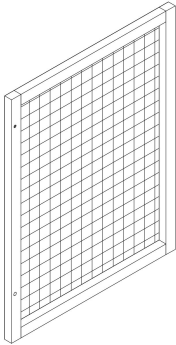
P10



PARTS

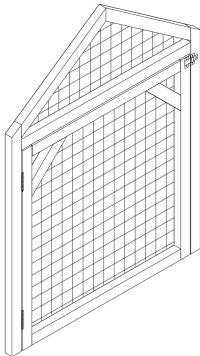
CARTON 1/2

Lower left panel -front
1PC



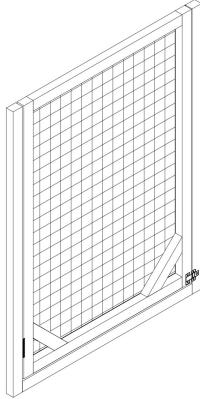
C

Front panel- upper & middle
1PC



D

Front panel-down & middle
1PC



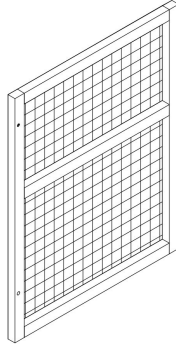
E

Lower right panel -front & back
2PCS



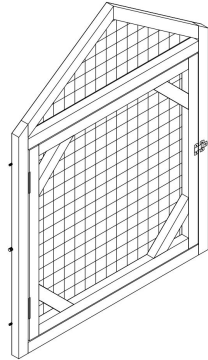
F

Lower left panel -back
1PC



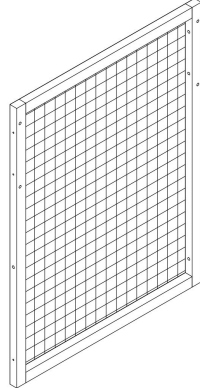
I

Back panel- upper & middle
1PC



J

Back panel-down & middle
1PC



K

Layer for back side
1PC



P

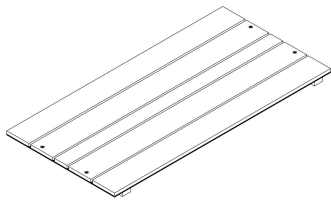
Layer for small house
2PCS



Q

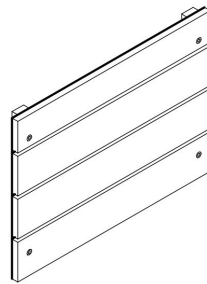
PARTS

Layer close to the ground
1PC



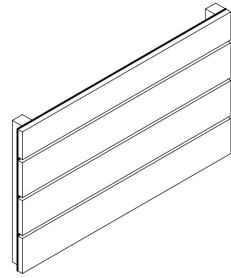
R

Back panel of small house
2PCS



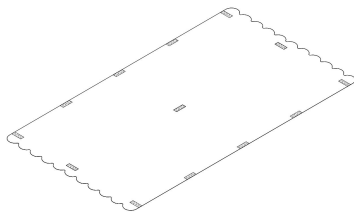
S

Side panels of small house
4PCS



T

Waterproof Cover
1PC



Y

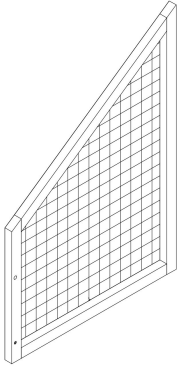
Hardware bag



PARTS

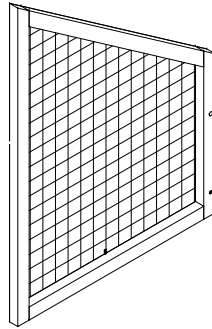
CARTON 2/2

Upper left panel-front & back
2PCS



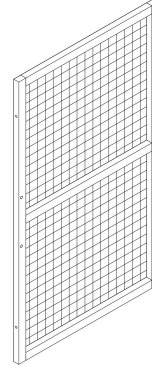
A

Upper right panel-front & back
2PCS



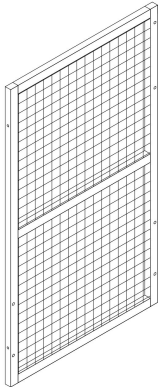
B

Right side panel- close to the
front panel
1PC



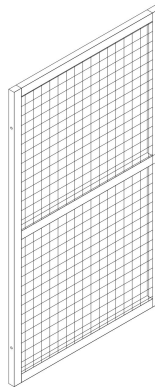
G

Left side panel- close to the
front panel
1PC



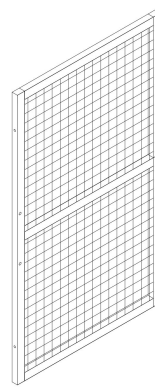
H

Right side panel- close to the
back panel
1PC



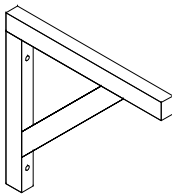
L

Left side panel- close to the
back panel
1PC



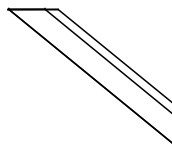
M

Layer bracket for the back side
7PCS



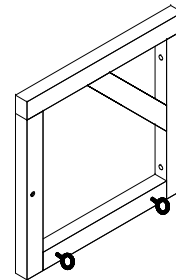
N

Reinforcing stick
1PC



N1

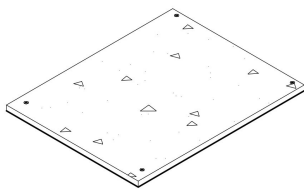
Square support
1PC



O

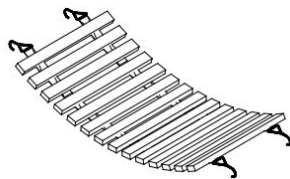
PARTS

Roof of small house
2PCS



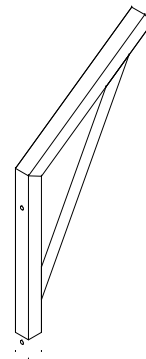
U

Bridge
1PC



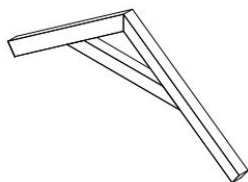
V

Side supporting bar
2PCS



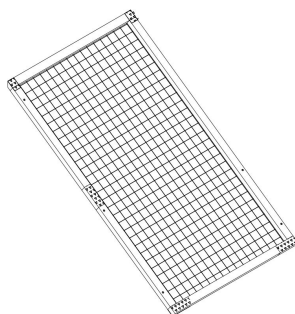
W

Roof supporting bar
1PC



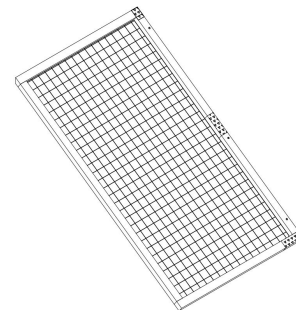
X

Roof close to front side
2PCS



Z1

Roof close to back side
2PCS



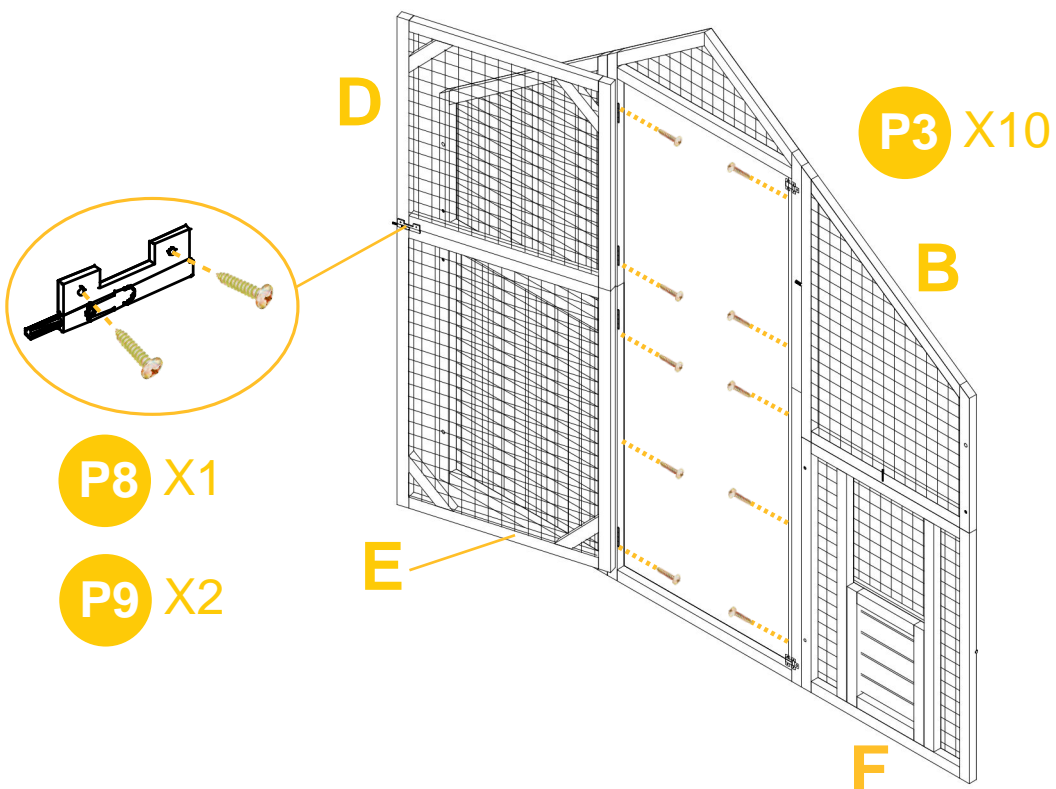
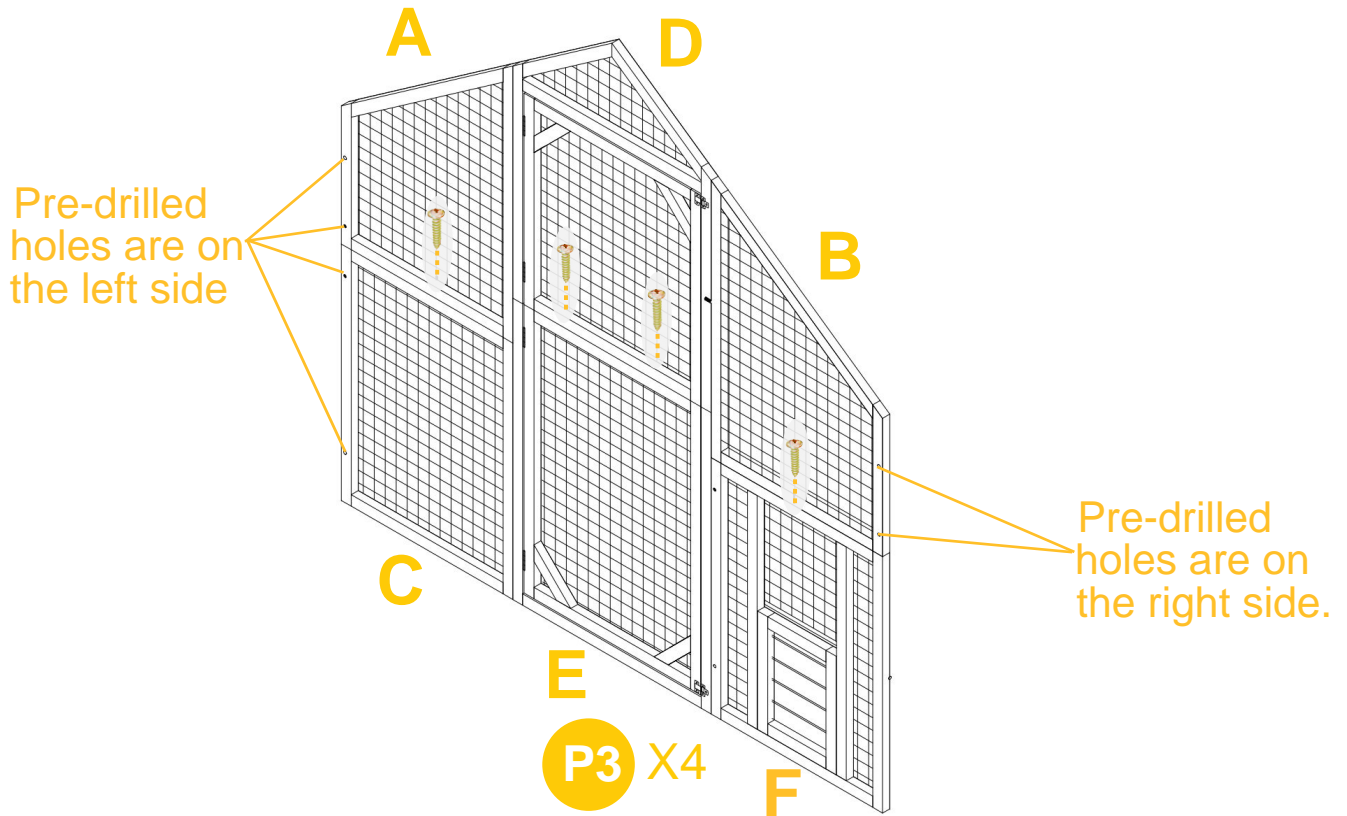
Z2

PRODUCT ASSEMBLY

1, Connect the front panels, screw Part A, B, C, D, E, F by 14XP3 screws.
Notice:

01

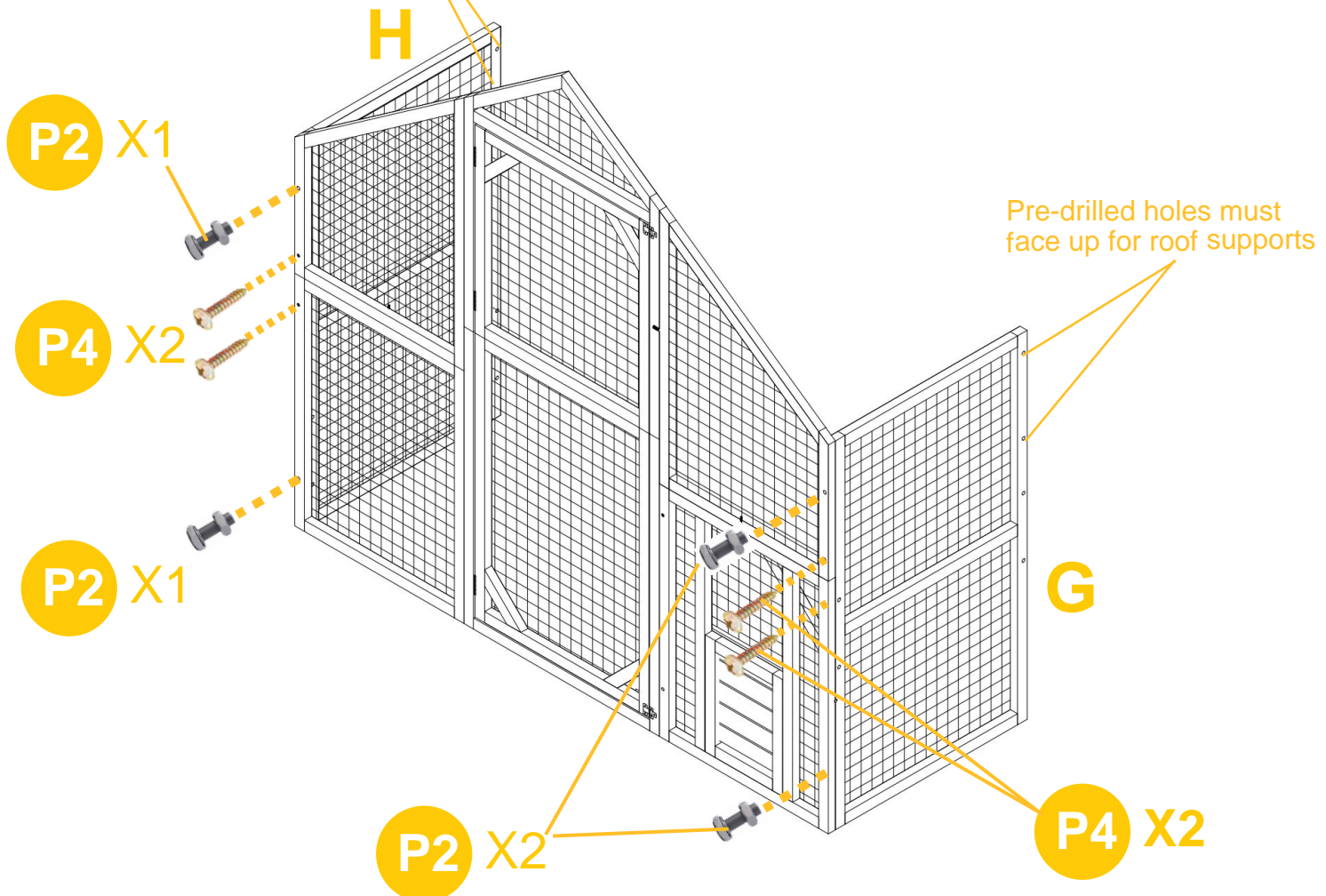
- The pre-drilled holes of Part A, C are on the left side.
 - The pre-drilled holes of Part B, F are on the right side
- 2, Attach the latch P8 to the inside of door by 2XP9 screws.



PRODUCT ASSEMBLY

- 02** Attach side panel Part H&G to front side by 2XP4 screws in middle position and 2XP2 bolts in side position each side.
Notice the H&G panels have tops and bottoms, pay attention to that all the extra pre-drilled holes go up towards the sky.
(Those pre-drilled holes are for roof supports)

Pre-drilled holes must face up for roof supports

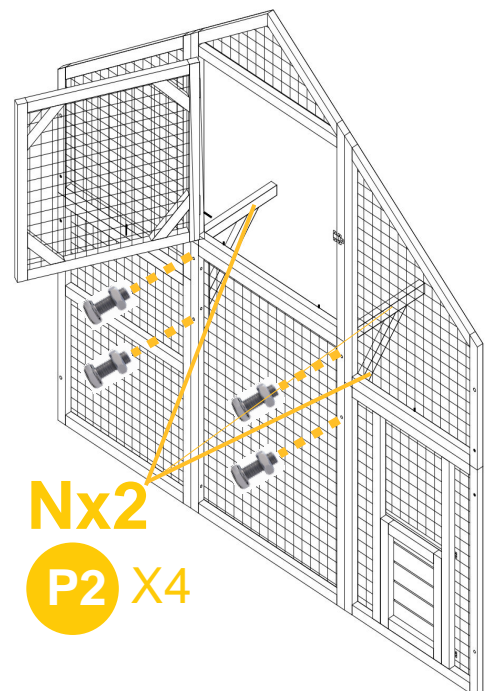
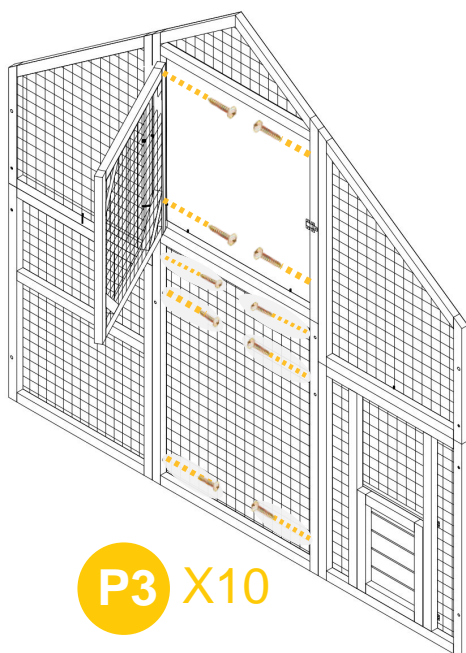
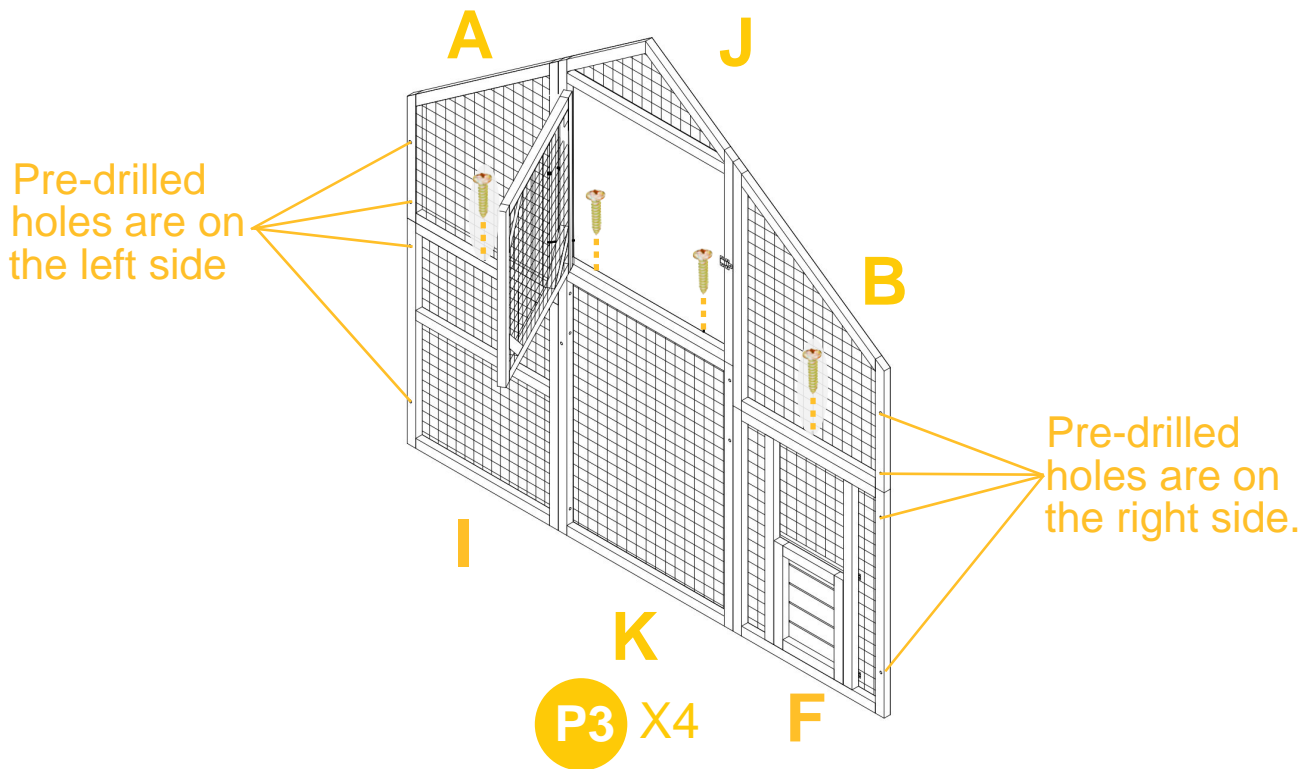


PRODUCT ASSEMBLY

1, Connect the back panels, screw Part A, B, F, I, J, K by 14XP3 screws.
 Notice:

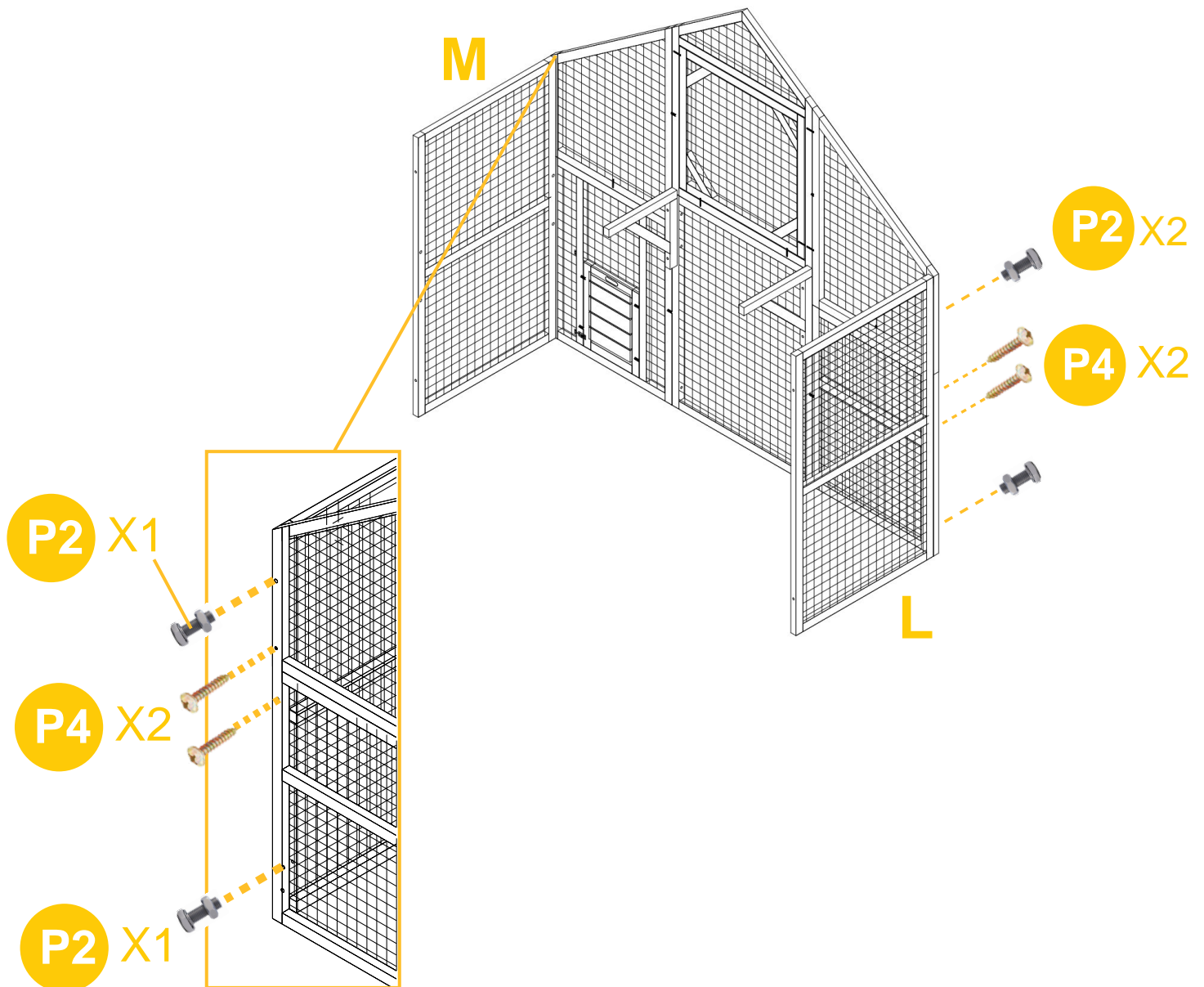
03

The pre-drilled holes of Part A, I are on the left side.
 The pre-drilled holes of Part B, F are on the right side
 2, Bolt the bracket Part N by 4XP2.



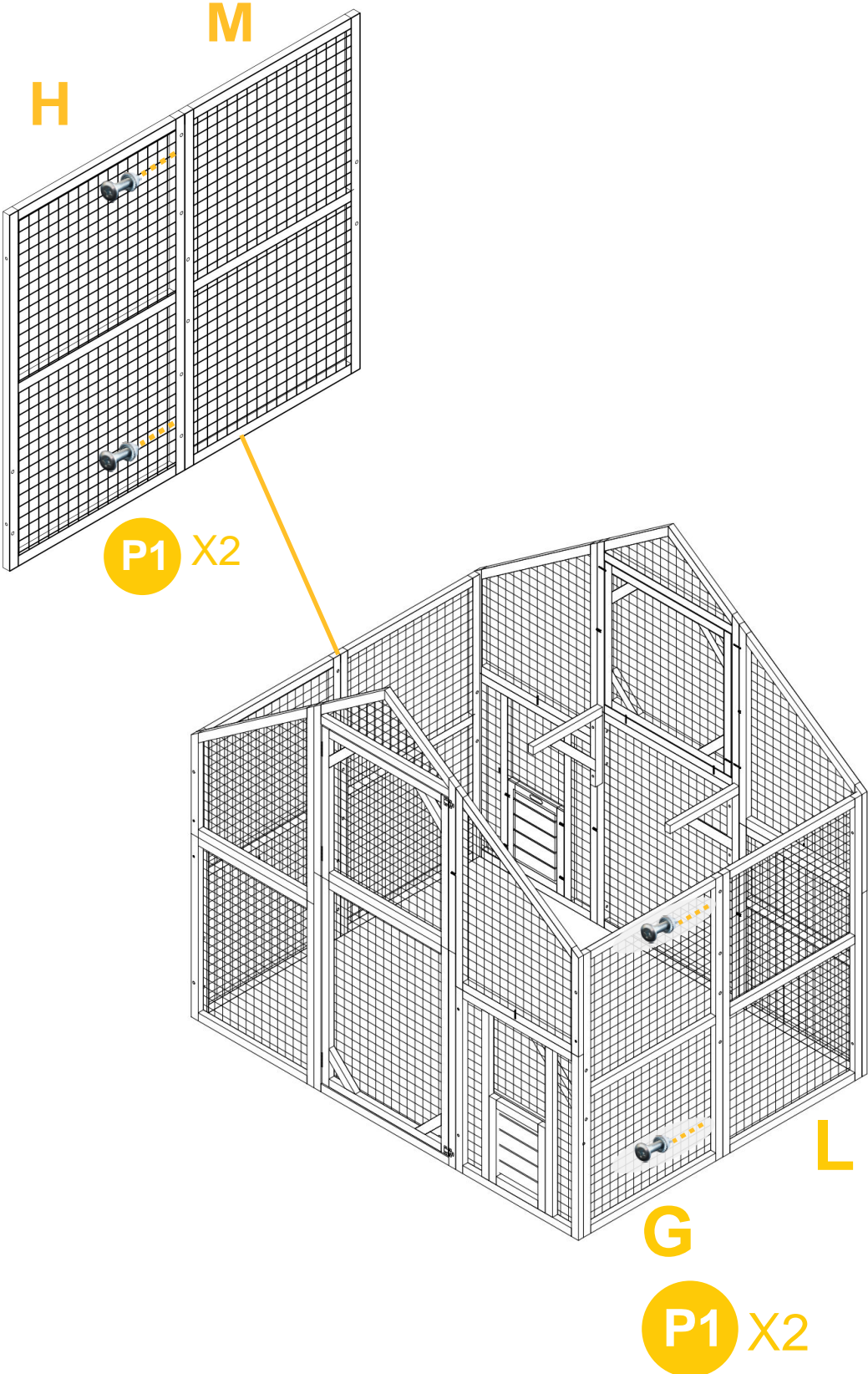
PRODUCT ASSEMBLY

04 Attach the side panel Part L&M to the back side by 2XP4 screws in middle position and 2XP2 bolts in side position each side.



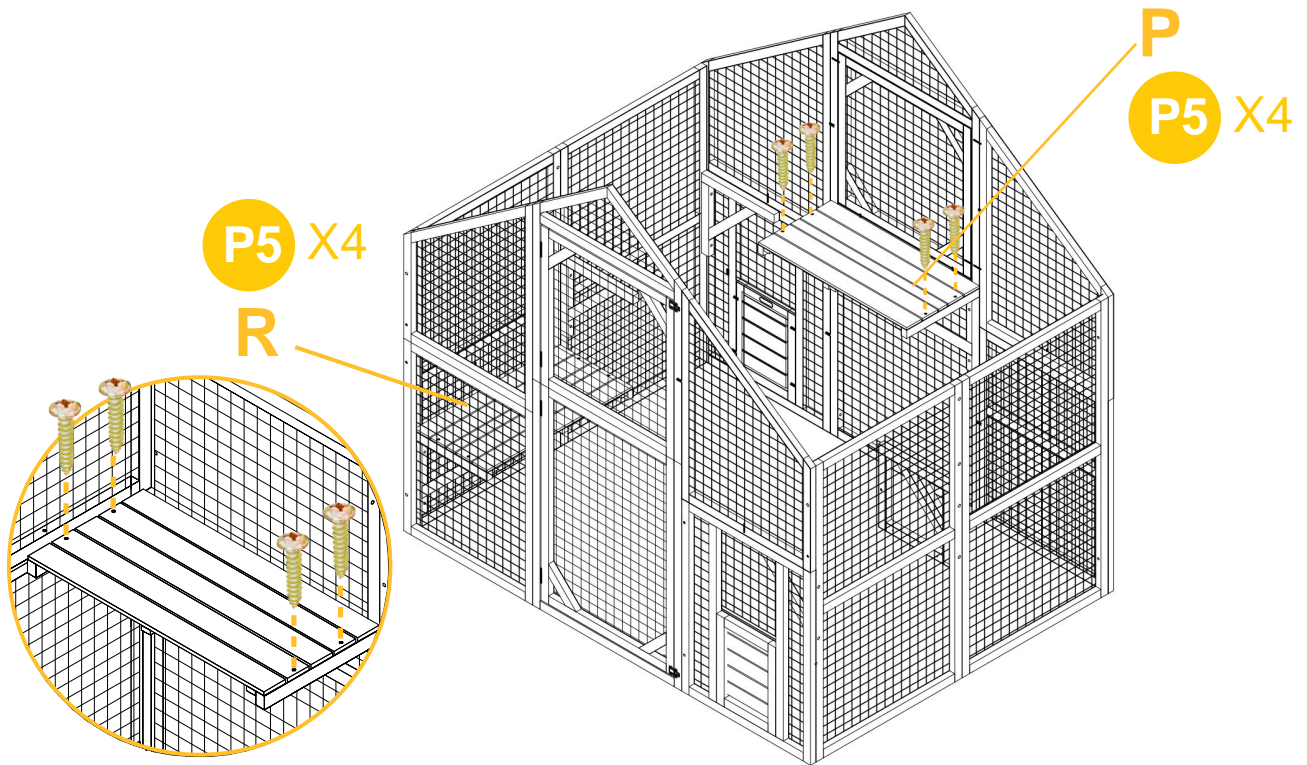
PRODUCT ASSEMBLY

05 Bolt the front and back sides together by 2XP1 each.

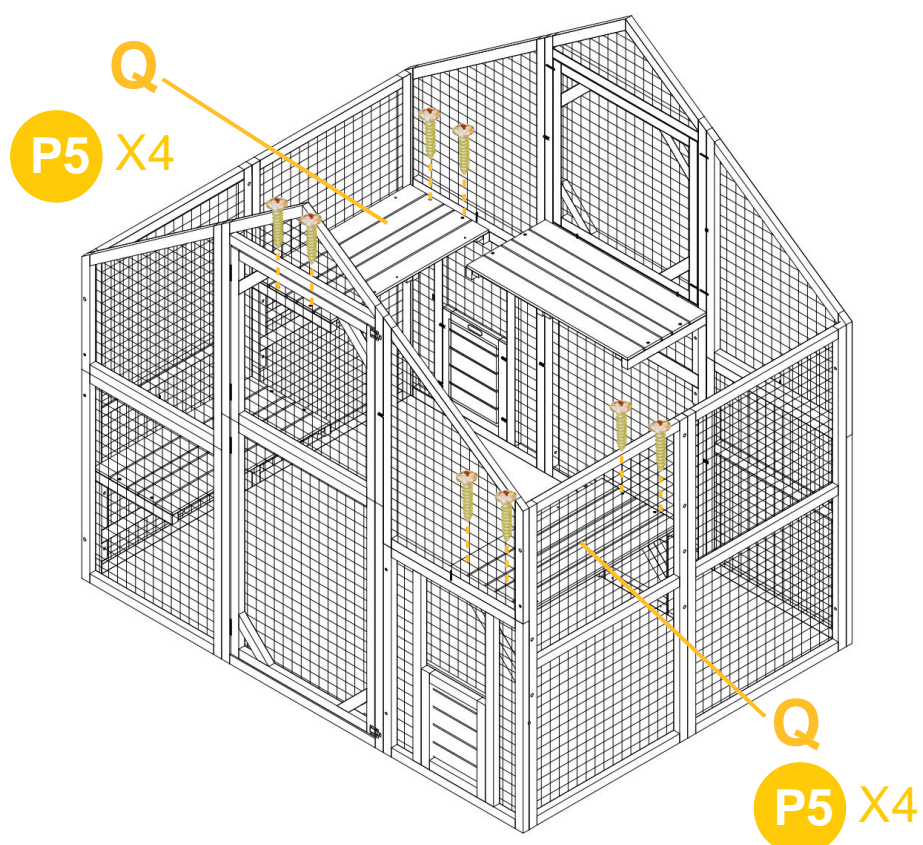


PRODUCT ASSEMBLY

- 07** Attach layer Part P by 4XP5 screws. (Position as shows in the picture)
Attach layer Part R by 4XP5 screws. (Position as shows in the picture)

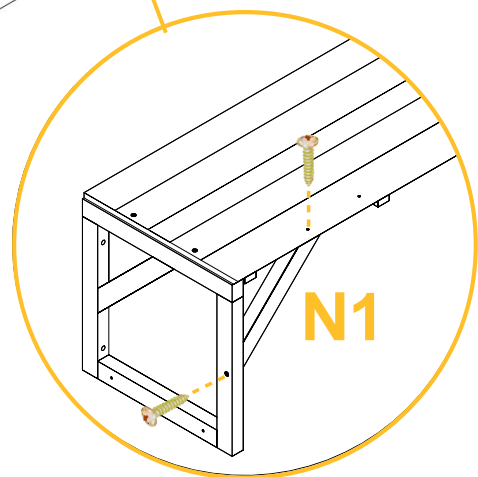
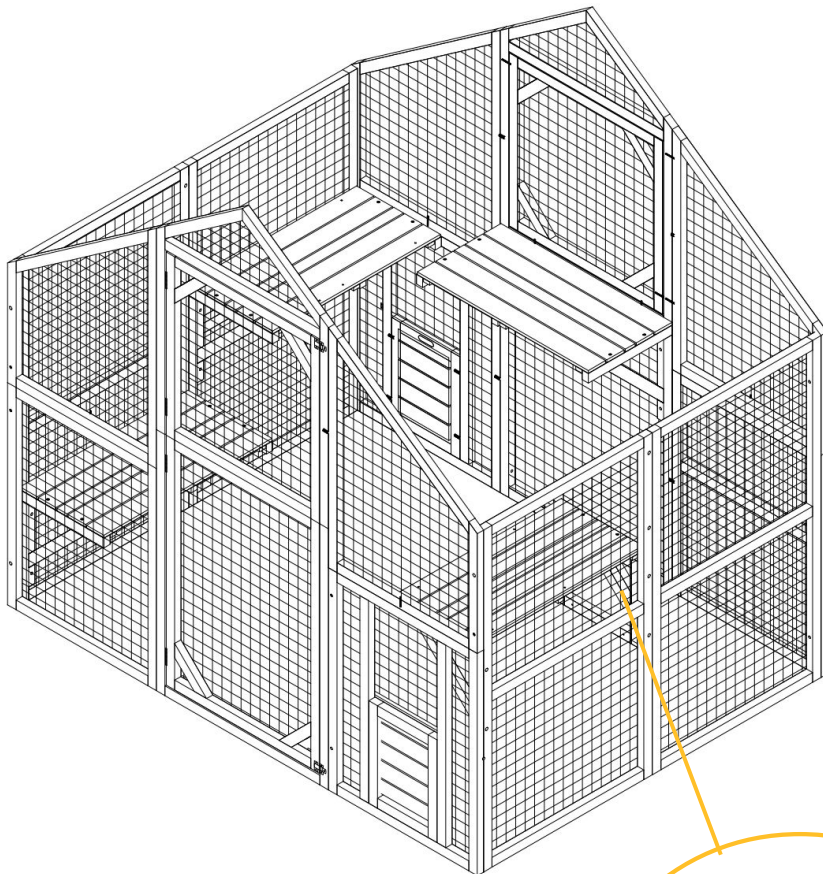


- 08** Attach 2 layer Part Q by 4XP5 screws each. (Position as shows in the picture)



PRODUCT ASSEMBLY

09 Attach Reinforcing stick Part N between Layer and square support Part O. (Position as shows in the picture)

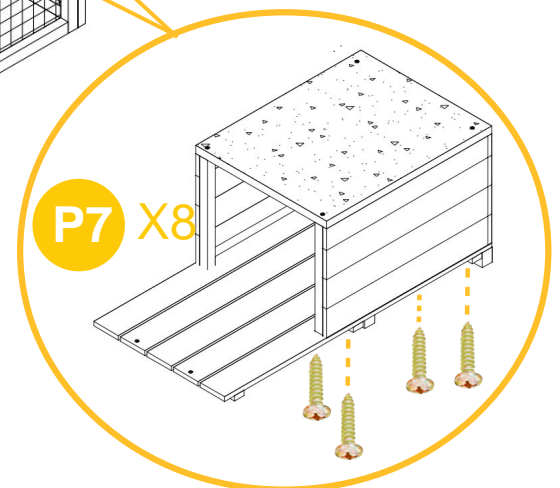
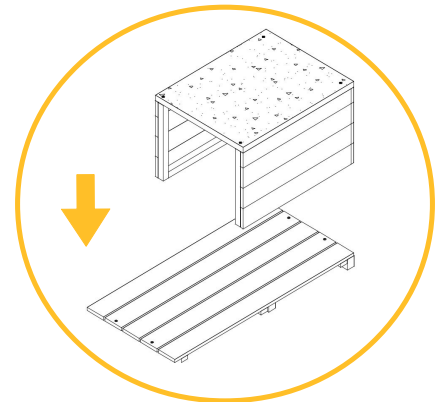
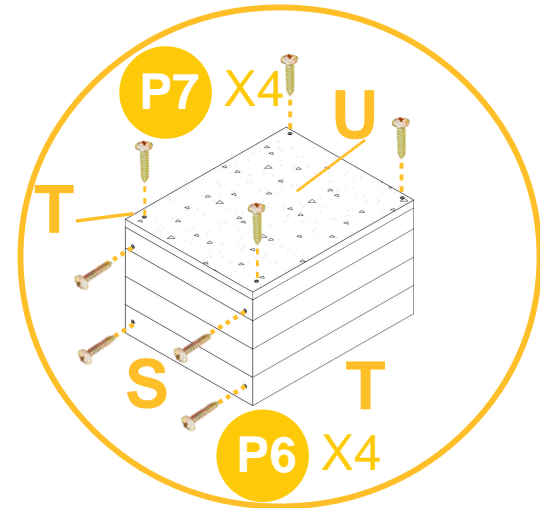


P5 X2

PRODUCT ASSEMBLY

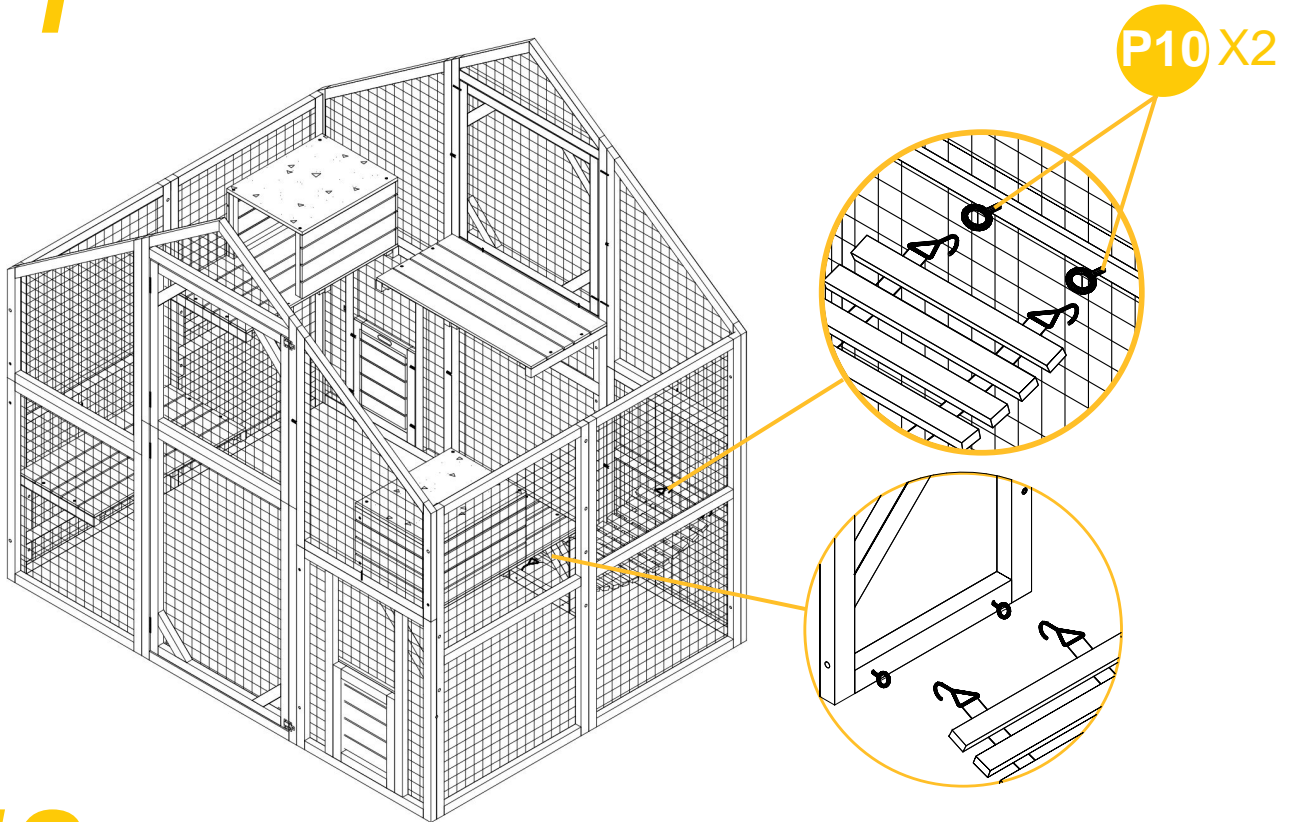
10

Attach the 2 small houses, screw back panel Part S to side panel Part T by 4XP6, screw roof Part U by 4XP7.
Screw the small house to the layer from the bottom by 4XP7 each.

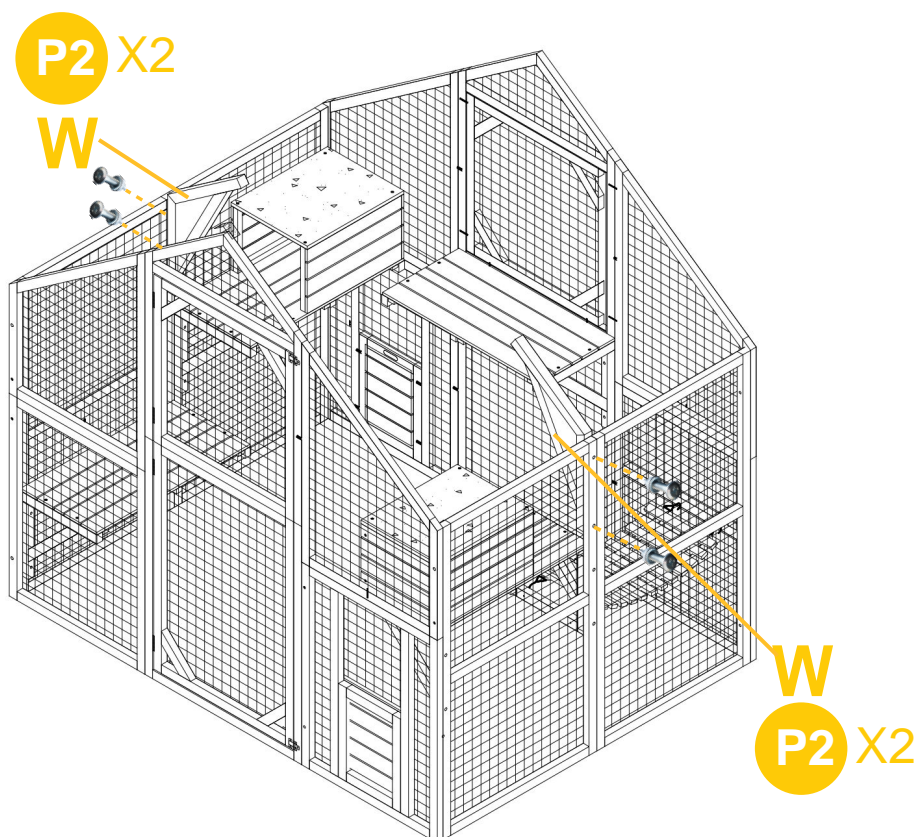


PRODUCT ASSEMBLY

11 Attach the eye hook P10 to the back wall, then hook the bridge to the eye hooks.

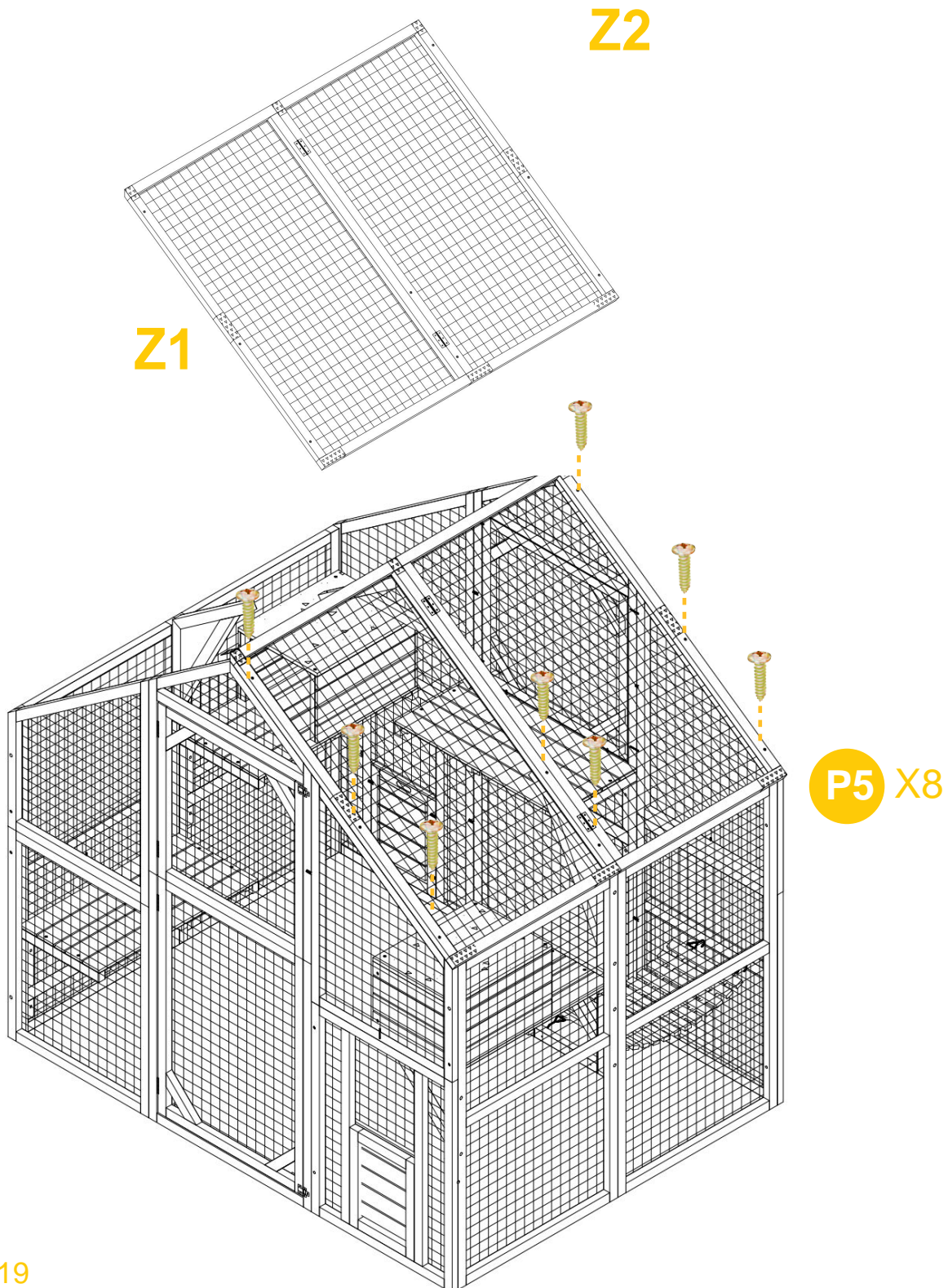


12 Bolt side supporting bar Part W by 2XP2 each.



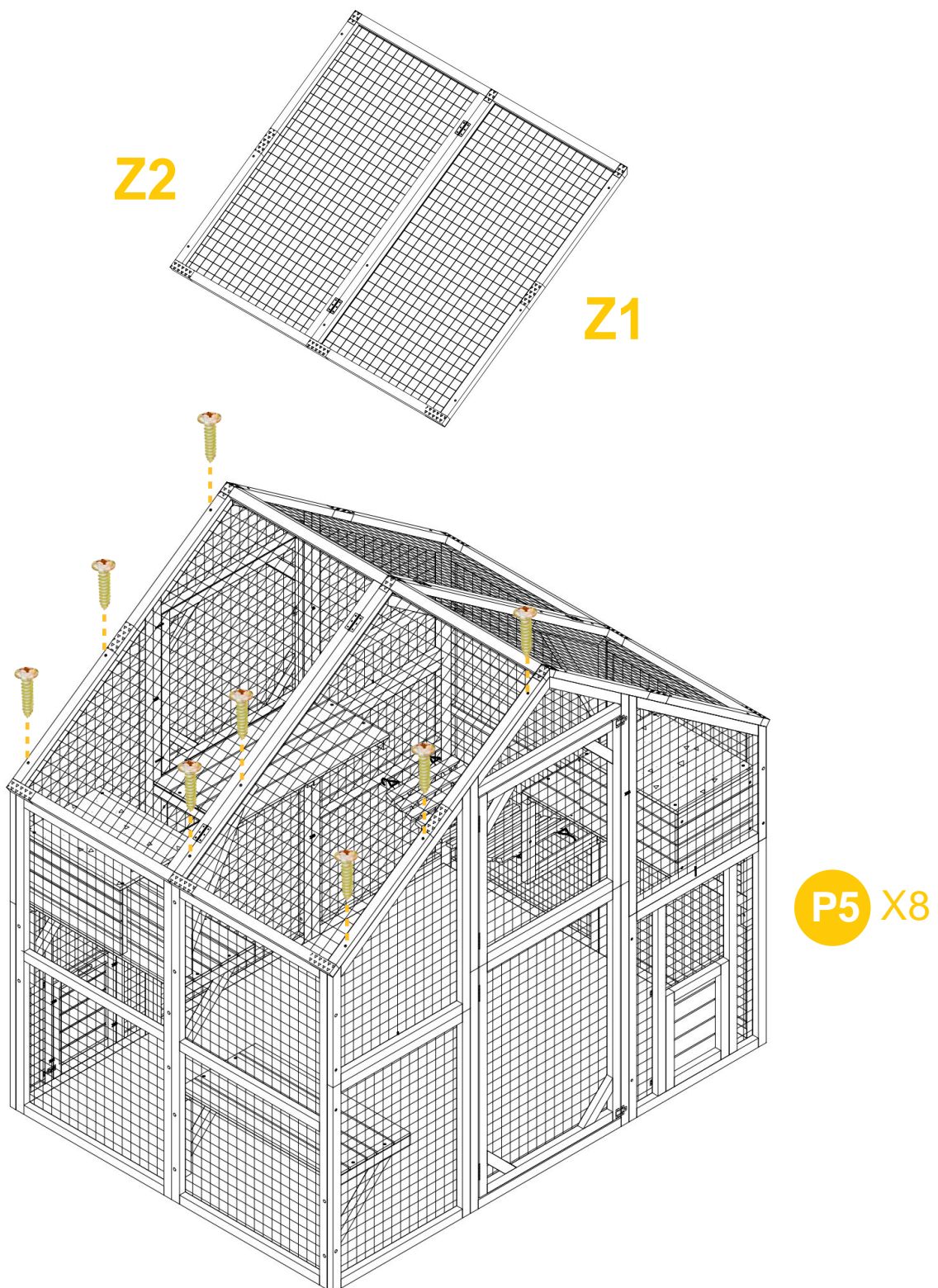
PRODUCT ASSEMBLY

13 Screw the roofs by 8XP5.



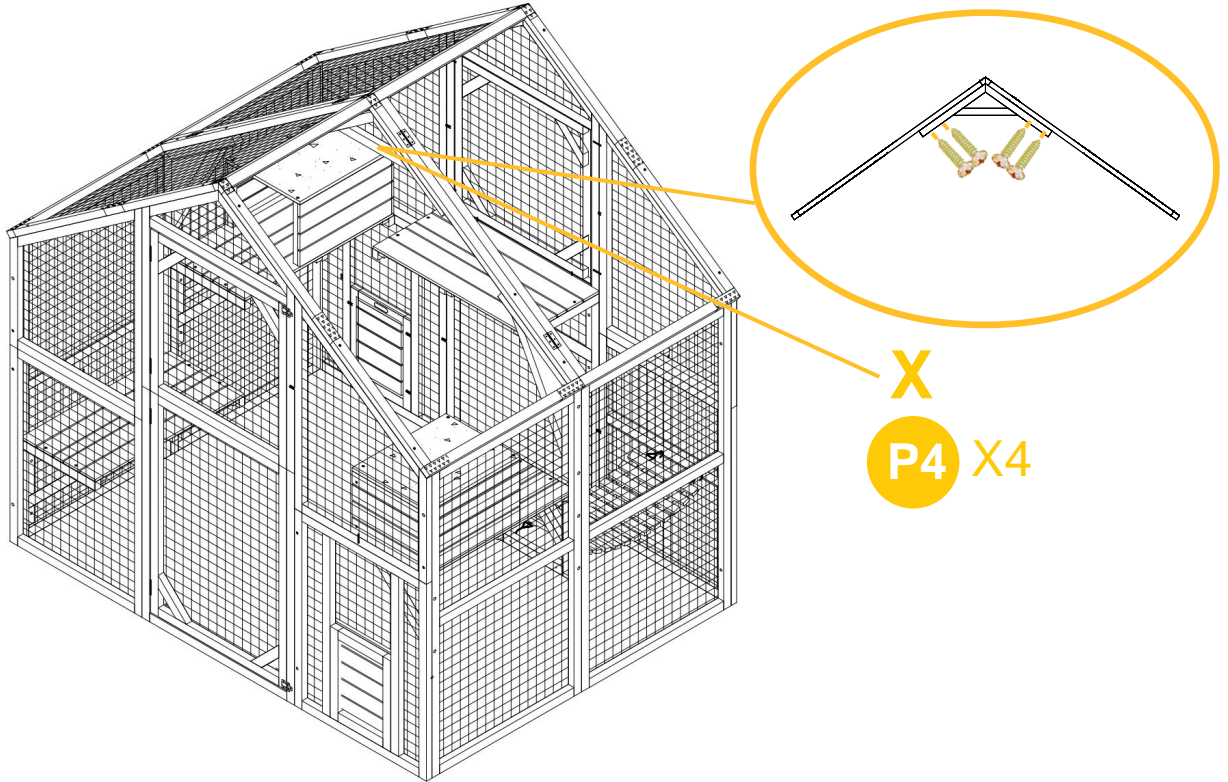
PRODUCT ASSEMBLY

14 Screw the roofs by 8XP5.

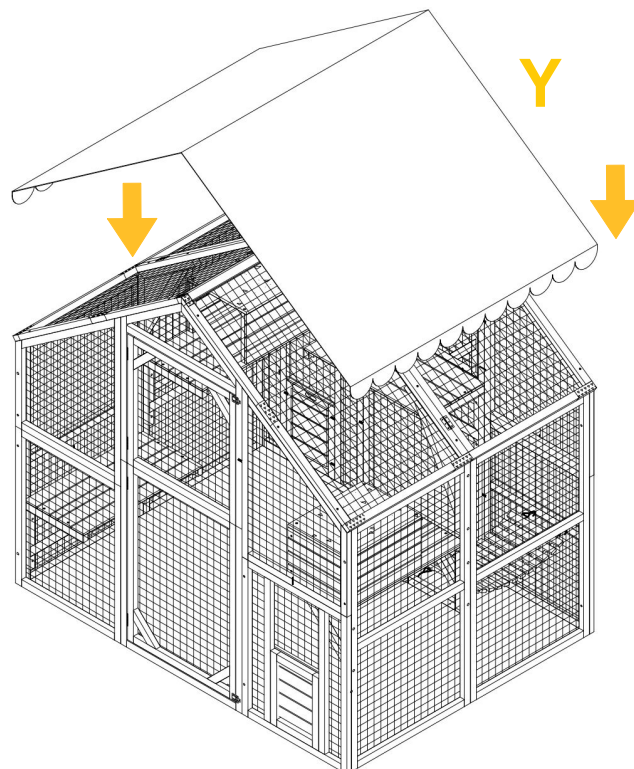


PRODUCT ASSEMBLY

- 15** Open the door, walk into the catio, and lock roof supporting bar Part X by 4XP4 screws.



- 16** Stick the Cover Part Y by Velcro.



Finish



WARNING

Manufacturer and seller expressly disclaim any and all liability for personal injury, property damage or loss, whether direct, indirect, or incidental, resulting from the incorrect attachment, improper use, inadequate maintenance, or neglect of this