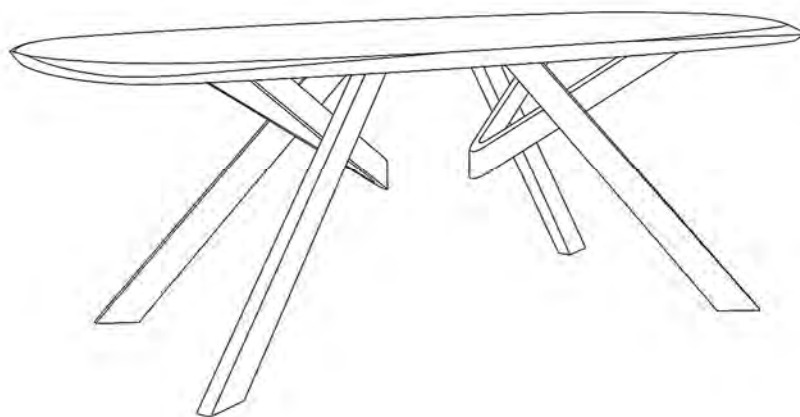


# ASSEMBLY INSTRUCTIONS

---



## TOOLS REQUIRED

(Included)  
Allen Wrench



2 - People

## ASSEMBLY RATING



EASY ————— DIFFICULT

The Assembly Rating is a 5-point system showing the level of effort needed to assemble a specific product.



## **CHECK BEFORE STARTING**

### **Are you missing anything?**

Double-check all parts, hardware and accessories listed are all accounted for.

### **Check out our Quick Tips!**

We recommend reviewing the pre-assembly handouts. Even experts need a refresher now and then!

### **Should we send any replacements?**

Are there any irregularities or flaws in the parts? We can send replacements!

### **Prep Time!**

Please review the assembly instructions and all diagrams prior to assembling.

# PRE ASSEMBLY INTRODUCTION

We understand building ready-to-assemble furniture can be a challenging experience for some. To help avoid confusion, we have provided some helpful tips that may speed up the process.



## Teamwork

ALWAYS have at least two people to help with transporting and assembling the product to avoid potential injury and/or damage.



## Suitable Location

Assembling near the area of the intended location is highly recommended.



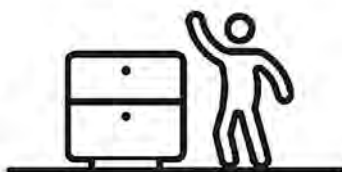
## Sufficient Space

Make sure you have enough space to move around during the assembly.



## Avoid Scratches

Use cardboard, blankets or a carpeted area while assembling furniture to prevent to prevent scratches and damages.



## Flat Surface

Make sure the furniture rests on a flat and level surface with each leg evenly touching the floor.

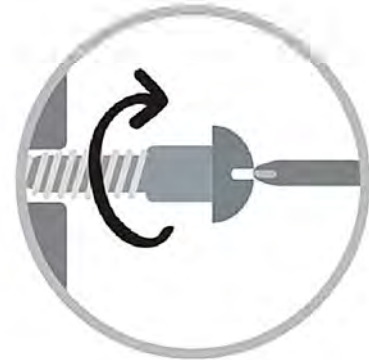
# ASSEMBLY AND CARE ADVICE



**FAILURE TO FOLLOW THE GUIDELINES BELOW MAY RESULT IN INJURY AND/OR PROPERTY DAMAGE.**



Position each part correctly and insert screws or bolts into their respective holes.



Turn clockwise to tighten and only tighten when step is completed or when instructed to do so.



Use the appropriate hand tools or power tools for assembly. Select steps, such as tightening screws and/or bolts, may require hand tools to avoid causing damage during assembly.



Save the instructions and store any supplied tools for later maintenance.



After two weeks, check and tighten any loose hardware and repeat again every six months thereafter.

**IT IS THE USER'S RESPONSIBILITY TO MAINTAIN THE FURNITURE. THE HARDWARE MAY LOOSEN OVER TIME AND MAY CAUSE THE FURNITURE TO BE WOBBLY AND UNABLE TO SUPPORT ITS INTENDED WEIGHT CAPACITY. THIS MAY LEAD TO COLLAPSE AND MAY CAUSE SERIOUS INJURY.**

# DINING TABLE

NO. 001 002 003 004 005 006 007 008 009 010



- Please keep instructions for future reference.
- Check the quantity and irregularity of parts and hardware before you start.

## PARTS

1 1pc

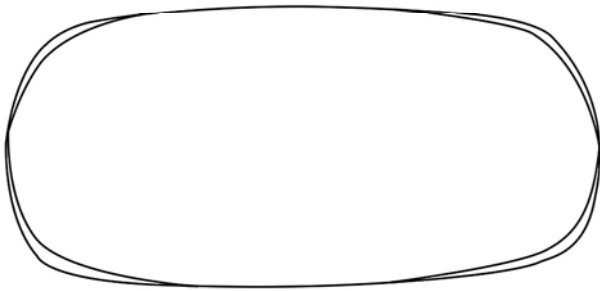
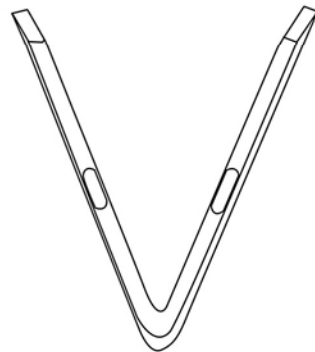


TABLE TOP

2 2pcs



V LEG SUPPORT

3 2pcs



TABLE LEG - LEFT

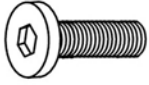
4 2pcs



TABLE LEG - RIGHT

# HARDWARE

A 4pcs



JCBC BOLT  
M6 x 20MM

B 4pcs



LOCK WASHER  
M6

C 4pcs



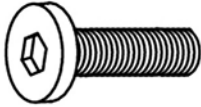
FLAT WASHER  
M6

D 1pc



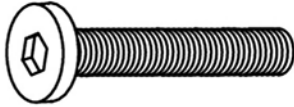
ALLEN KEY  
M4

E 16pcs



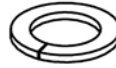
JCBB BOLT  
M8 x 30MM

F 4pcs



JCBB BOLT  
M8 x 45MM

G 20pcs



LOCK WASHER  
M8

H 20pcs



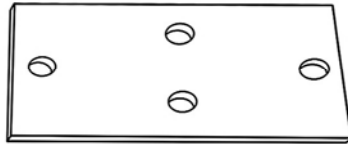
FLAT WASHER  
M8

I 1pc



ALLEN KEY  
M5

J 4pcs

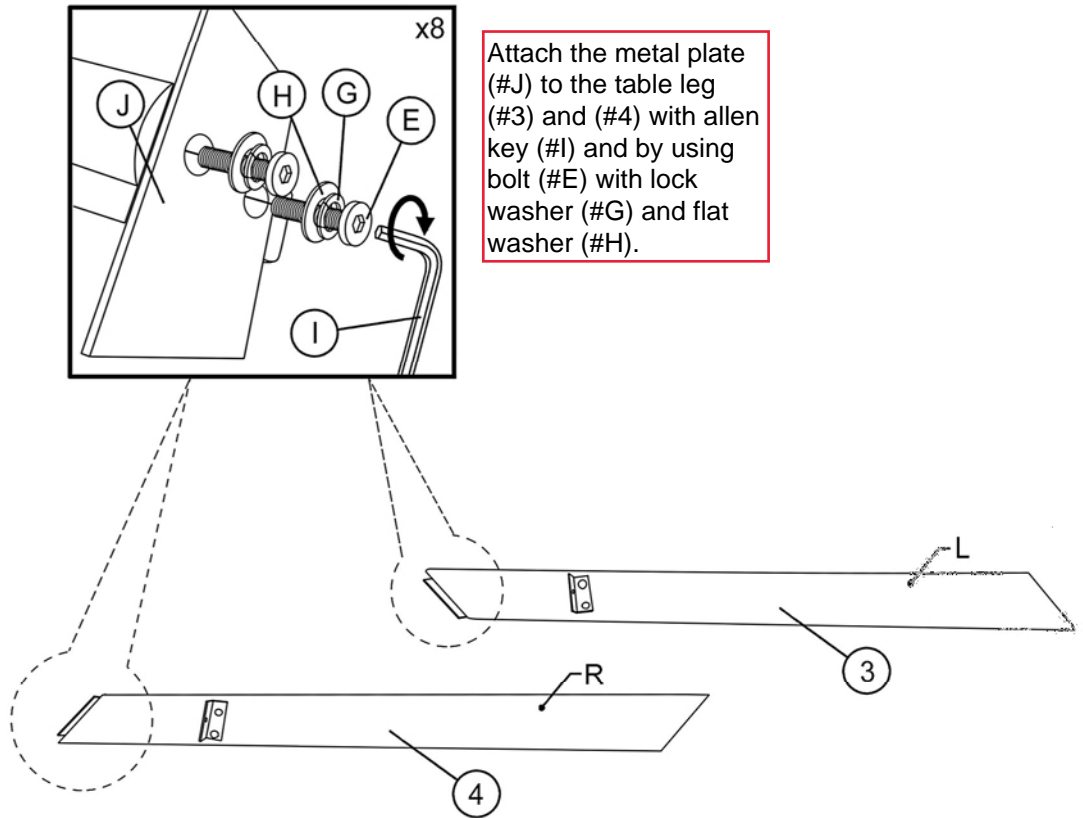


METAL PLATE

# ASSEMBLY INSTRUCTIONS

1

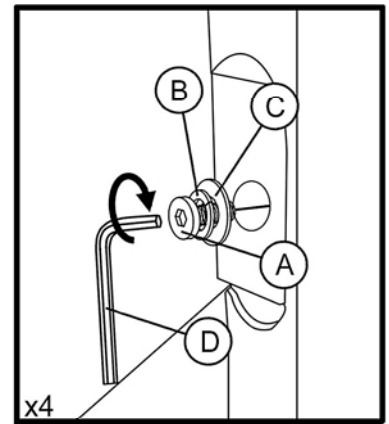
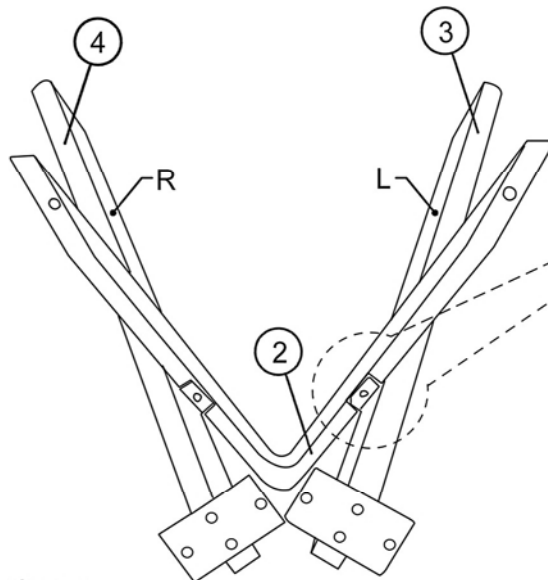
- Part ③ x 2pcs
- Part ④ x 2pcs
- Hardware ⑤ x 8pcs
- Hardware ⑥ x 8pcs
- Hardware ⑦ x 8pcs
- Hardware ⑧ x 1pc
- Hardware ⑨ x 4pcs



2

- Part ② x 2pcs
- Part ③ x 2pcs
- Part ④ x 2pcs
- Hardware ⑩ x 4pcs
- Hardware ⑪ x 4pcs
- Hardware ⑫ x 4pcs
- Hardware ⑬ x 1pc

Attach the v leg support (#2) at the center of the table leg (#3) and (#4) and start inserting bolts (#A) with lock washer (#B) and flat washer (#C) by using allen key (#D).



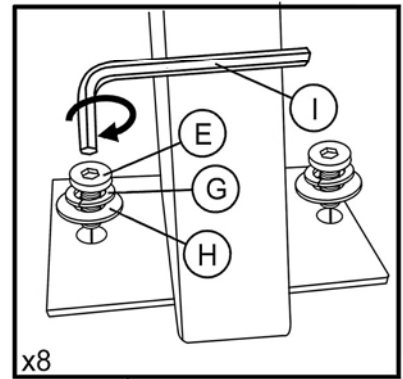
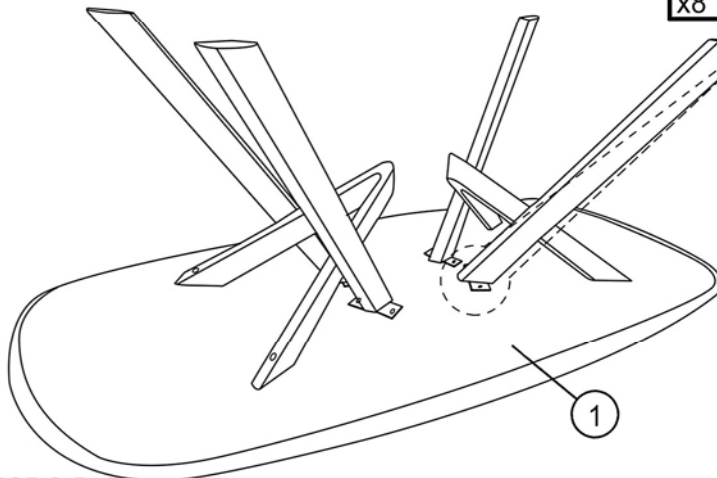
Do not tighten these JCBC Bolt.

# ASSEMBLY INSTRUCTIONS

## 3

- Part ① x 1pc
- Hardware ⑤ x 8pcs
- Hardware ⑦ x 8pcs
- Hardware ⑧ x 8pcs
- Hardware ⑩ x 1pc

Align the metal plates to the table top (#1) and start inserting the bolts(#E) with lock washer (#G) and flat washer (#H) with allen key (#I).

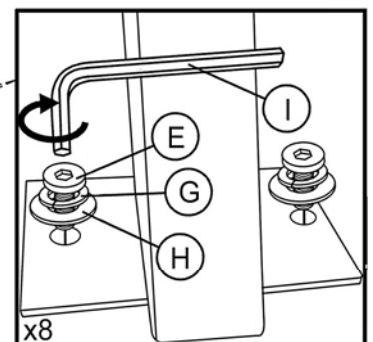
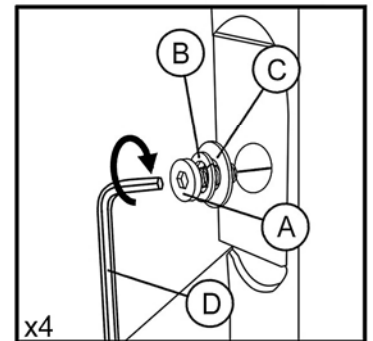
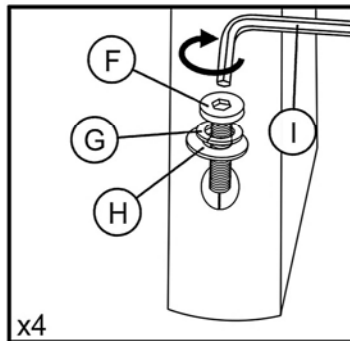
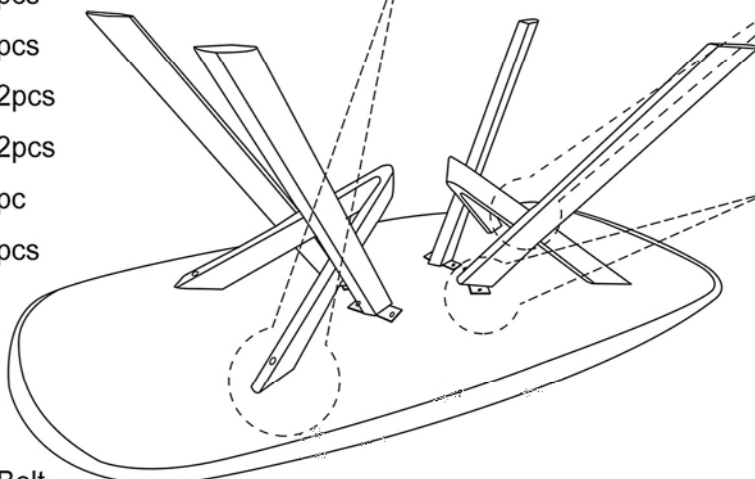


Do not tighten these JCBC Bolt.

## 4

- Hardware ② x 4pcs
- Hardware ③ x 4pcs
- Hardware ④ x 4pcs
- Hardware ⑥ x 1pc
- Hardware ⑤ x 8pcs
- Hardware ⑦ x 4pcs
- Hardware ⑧ x 12pcs
- Hardware ⑧ x 12pcs
- Hardware ⑩ x 1pc
- Hardware ⑪ x 4pcs

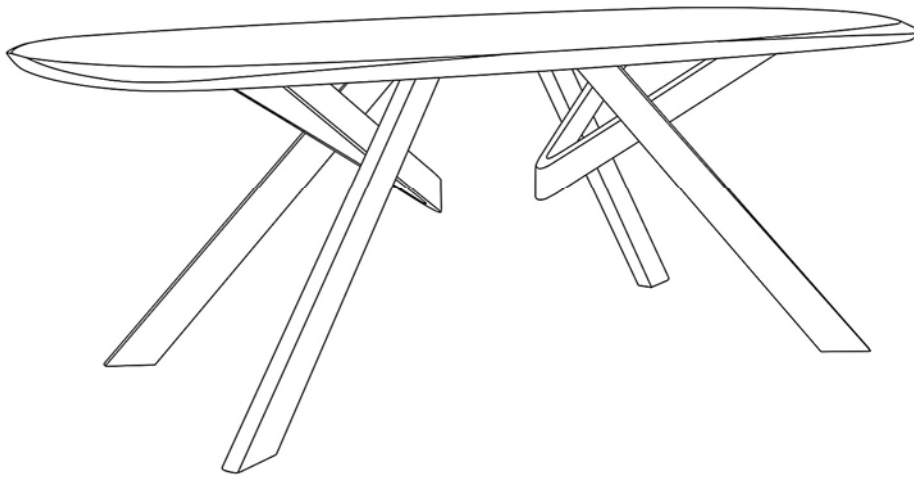
Align the v leg support (#2) to the table top (#1) and start inserting the bolts (#F) with lock washer (#G) and flat washer (#H) with allen key (#I).



Tighten all JCBC Bolt.

# ASSEMBLY INSTRUCTIONS

5



## ASSEMBLY COMPLETED



Please ensure the furniture rests on an even and flat surface. If the product wobbles or feels loose, double-check all bolts and/or screws are properly tightened and secured.

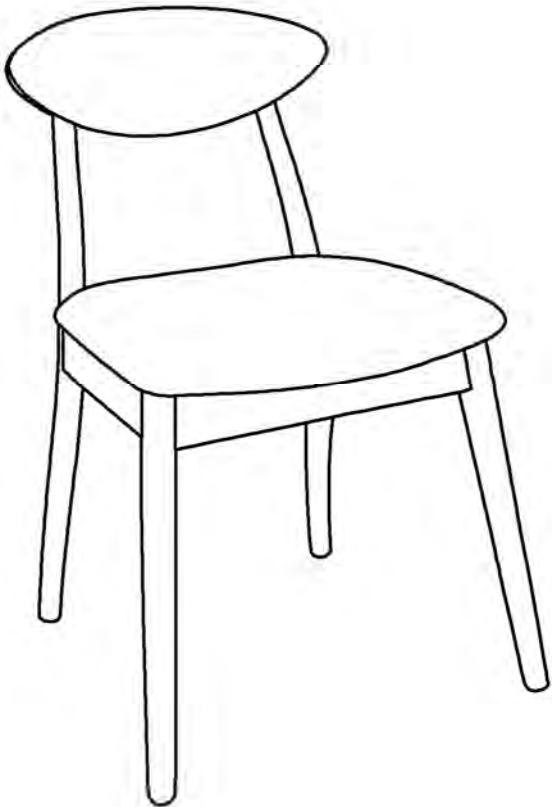
✓ **Keep this handy!**  
Please retain this instruction manual and any order-related information for future reference.

✓ **Lift, don't drag!**  
To avoid damage to product please always LIFT the product when transporting or adjusting the placement.

This product is intended for RESIDENTIAL USE ONLY and not for commercial use.

# ASSEMBLY INSTRUCTIONS

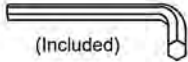
---



## TOOLS REQUIRED



Screwdriver  
(Not Included)



(Included)  
Allen Wrench



2 - People

## ASSEMBLY RATING



EASY ————— DIFFICULT

The Assembly Rating is a 5-point system showing the level of effort needed to assemble a specific product.



## **CHECK BEFORE STARTING**

### **Are you missing anything?**

Double-check all parts, hardware and accessories listed are all accounted for.

### **Check out our Quick Tips!**

We recommend reviewing the pre-assembly handouts. Even experts need a refresher now and then!

### **Should we send any replacements?**

Are there any irregularities or flaws in the parts? We can send replacements!

### **Prep Time!**

Please review the assembly instructions and all diagrams prior to assembling.

# PRE ASSEMBLY INTRODUCTION

We understand building ready-to-assemble furniture can be a challenging experience for some. To help avoid confusion, we have provided some helpful tips that may speed up the process.



## Teamwork

ALWAYS have at least two people to help with transporting and assembling the product to avoid potential injury and/or damage.



## Suitable Location

Assembling near the area of the intended location is highly recommended.



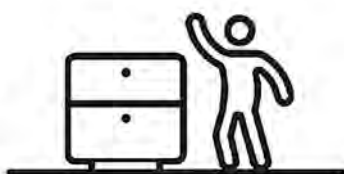
## Sufficient Space

Make sure you have enough space to move around during the assembly.



## Avoid Scratches

Use cardboard, blankets or a carpeted area while assembling furniture to prevent to prevent scratches and damages.



## Flat Surface

Make sure the furniture rests on a flat and level surface with each leg evenly touching the floor.

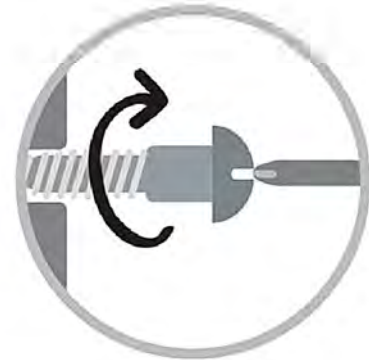
# ASSEMBLY AND CARE ADVICE



**FAILURE TO FOLLOW THE GUIDELINES BELOW MAY RESULT IN INJURY AND/OR PROPERTY DAMAGE.**



Position each part correctly and insert screws or bolts into their respective holes.



Turn clockwise to tighten and only tighten when step is completed or when instructed to do so.



Use the appropriate hand tools or power tools for assembly. Select steps, such as tightening screws and/or bolts, may require hand tools to avoid causing damage during assembly.



Save the instructions and store any supplied tools for later maintenance.



After two weeks, check and tighten any loose hardware and repeat again every six months thereafter.

**IT IS THE USER'S RESPONSIBILITY TO MAINTAIN THE FURNITURE. THE HARDWARE MAY LOOSEN OVER TIME AND MAY CAUSE THE FURNITURE TO BE WOBBLY AND UNABLE TO SUPPORT ITS INTENDED WEIGHT CAPACITY. THIS MAY LEAD TO COLLAPSE AND MAY CAUSE SERIOUS INJURY.**

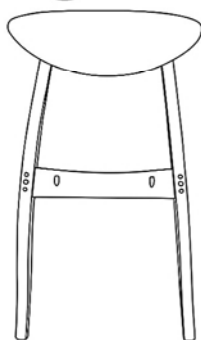
# DINING SIDE CHAIR



- Please keep instructions for future reference.
- Check the quantity and irregularity of parts and hardware before you start.

## PARTS

1 1pc



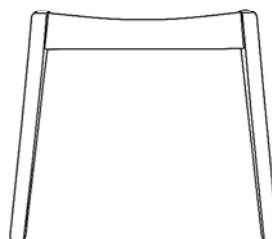
BACK PANEL

2 2pcs



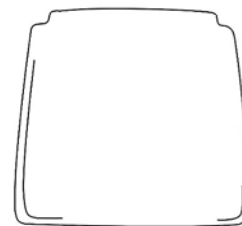
SIDE WOOD

3 1pc



FRONT LEG

4 1pc



CUSHION SEAT

## HARDWARE

A 6pcs



JCBC BOLT  
M6 x 45MM

B 6pcs



LOCK WASHER  
M6

C 6pcs



FLAT WASHER  
M6

D 4pcs



CSK SCREW  
M4 x 32MM

E 1pc



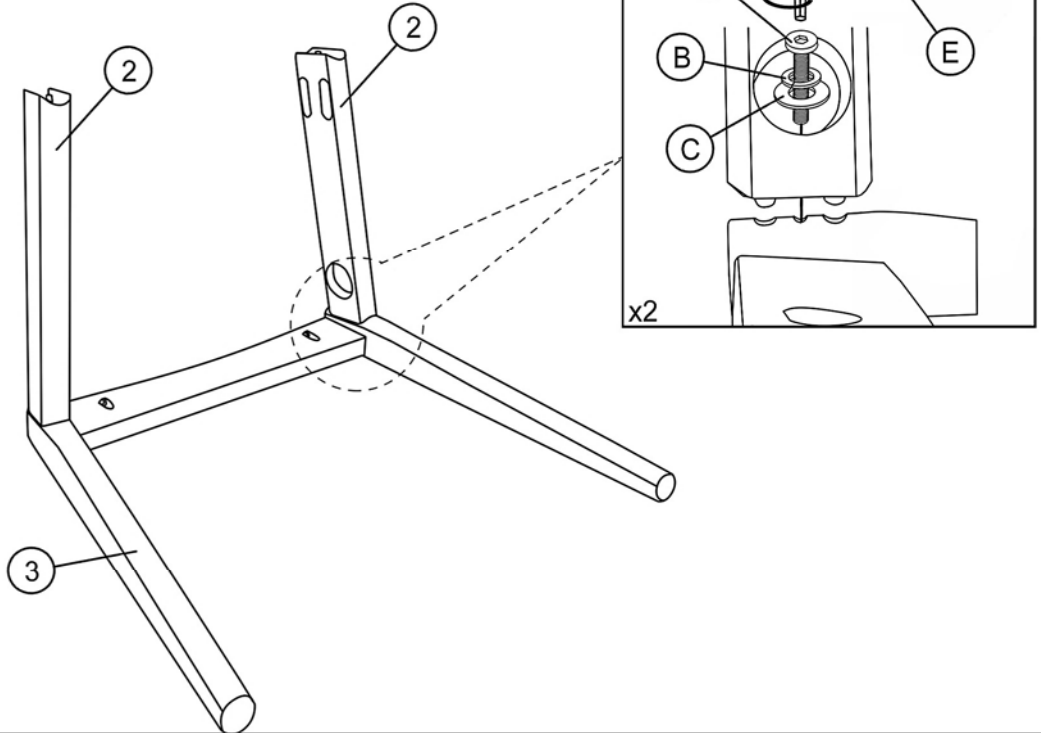
ALLEN KEY  
M4

# ASSEMBLY INSTRUCTIONS

1

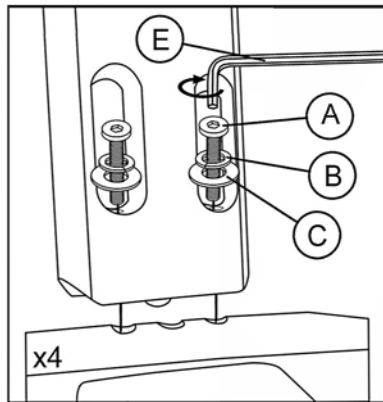
Align side wood (#2) to the front leg (#3) and with allen key (#E) secure by using bolt (#A) with lock washer (#B) and flat washer (#C).

- Part (2) x 2pcs
- Part (3) x 1pc
- Hardware (A) x 2pcs
- Hardware (B) x 2pcs
- Hardware (C) x 2pcs
- Hardware (E) x 1pc

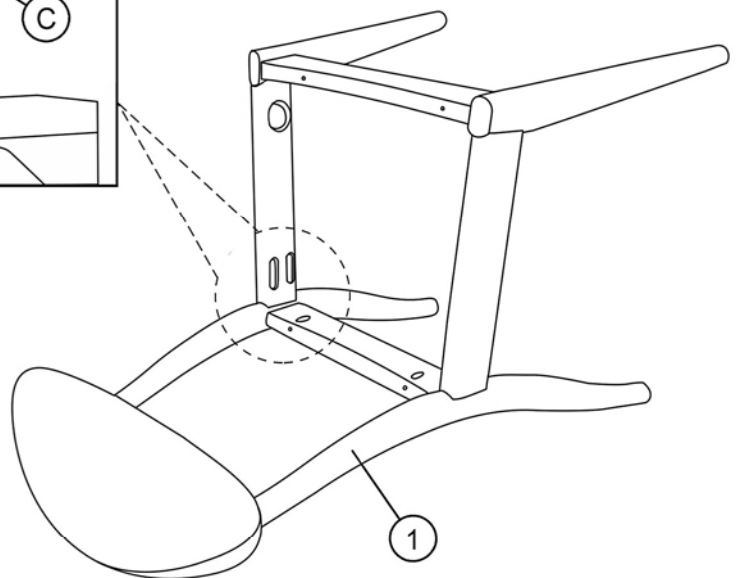


2

- Part (1) x 1pc
- Hardware (A) x 4pcs
- Hardware (B) x 4pcs
- Hardware (C) x 4pcs
- Hardware (E) x 1pc



Align the back panel (#1) to the side wood (#2) and with allen key (#E) secure by using bolt (#A) with lock washer (#B) and flat washer (#C).

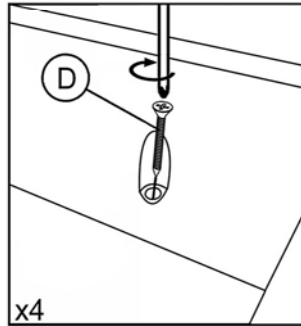


# ASSEMBLY INSTRUCTIONS

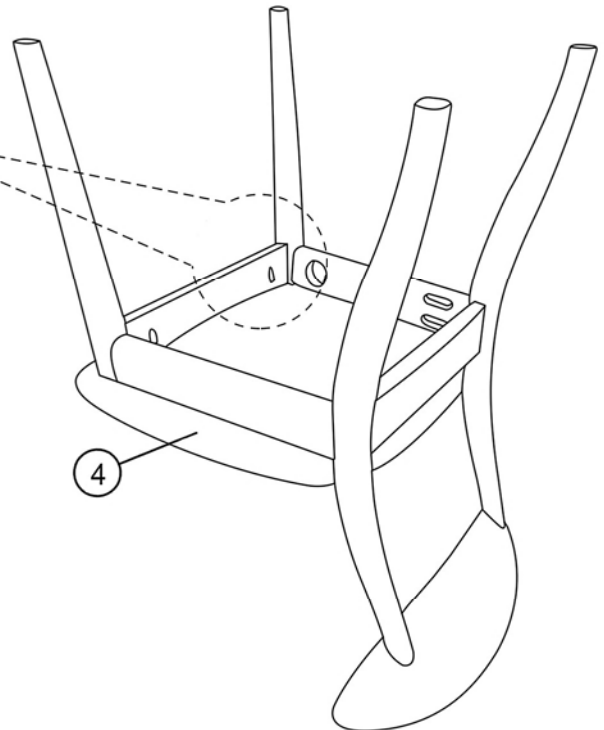
3

Part ④ x 1pc

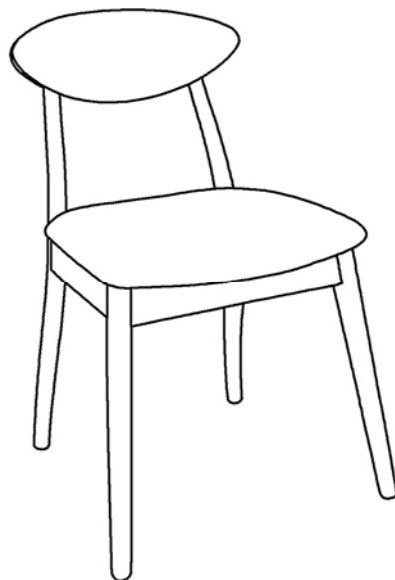
Hardware ① x 4pcs



Align and attach the seat cushion (#4) to the frame by using screw (#D).



4



## ASSEMBLY COMPLETED

Please ensure the furniture rests on an even and flat surface. If the product wobbles or feels loose, double-check all bolts and/or screw are properly tightened and secured.



### Keep this handy!

Please retain this instruction manual and any order-related information for future reference.

### Lift, don't drag!

To avoid damage to product please always LIFT the product when transporting or adjusting the placement.

This product is intended for RESIDENTIAL USE ONLY and not for commercial use.