












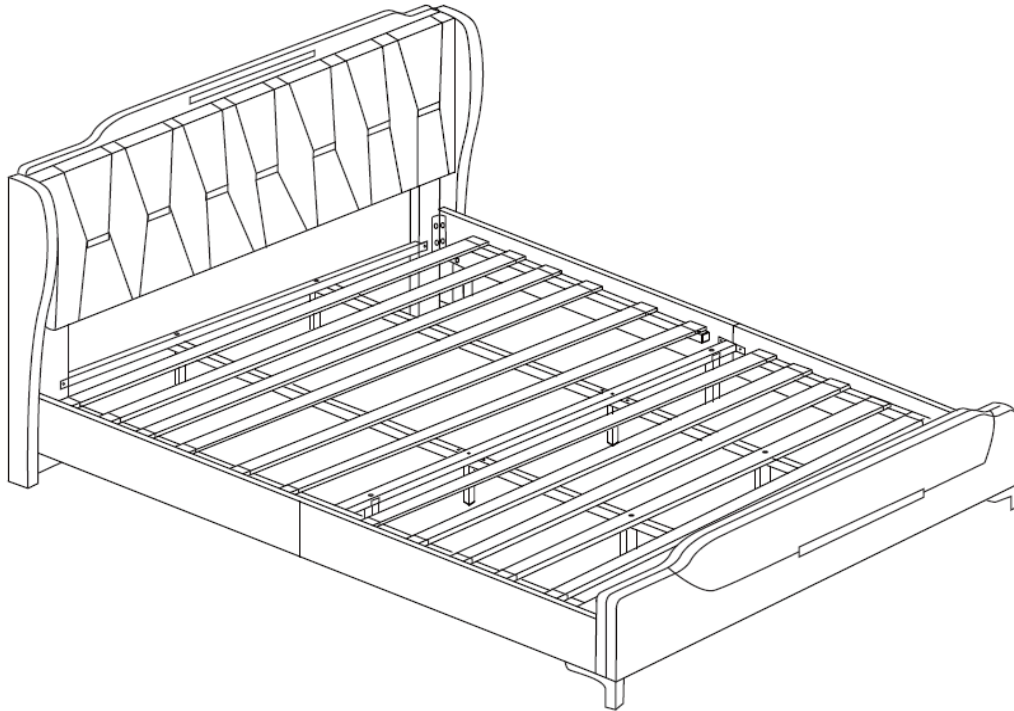
Assembly Instructions

Caution : You must read this before you proceed

Care & Maintenance

- ⊘  • Not for commercial use. For residential use only.
 - ✓  • Furniture may scratch floors. We recommend using furniture pads to protect your floors.
 - ⊘  • Do not put hot items directly on furniture surface.
 - ⊘  • Do not clean furniture with harsh cleansers or polish.
 - ⊘  • Do not place furniture under direct sunlight.
 - ⊘  • Do not place furniture near heating or cooling vents.
 - ⊘  • Do not write on furniture without a padded barrier to protect the surface.
 - ⊘  • Do not place furniture outside . For indoor use only.
 - ⊘  • Stains may be removed with mild soap solution and damp cloth.
 - ⊘  • Children should not climb or jump on the furniture.
- ✓  • Dust and pick-up spills using a clean, non-colored, lint-free cloth.

BED




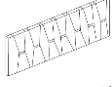


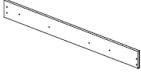
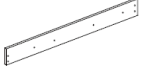
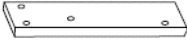




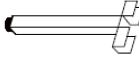
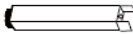




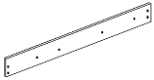
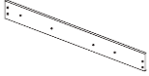
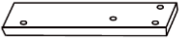
NOTE : This Bed is NOT a TOY.

Keep your child / children at bay during the assembly process.

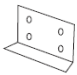
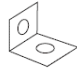
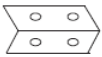
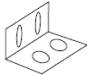


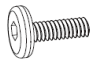
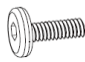





The Daybed is **HEAVY**.

To prevent injury to yourself or damage to the product a minimum of two adults are required whenever moving or lifting the product.

Parts List

Label	Picture	Description	QTY
A		Headboard Top Bar	1
B		Headboard	1
C		Footboard	1
D-L & D-R		Headboard Side Panel	2
E		Right Back Bedside Panel	1
F		Right Front Bedside Panel	1
G		Left Back Support	1
H		Slat Plug	24
I		Slat	12
J		Slat Rail	4
K		Back Rail	1
L		Center Support Leg	2
M		Support Leg	6
N		Center Support Rail	1
O		Back Support Rail	2
P		Front Support Rail	2
Q		Leg	2
R		Left Back Bedside Panel	1
S		Left Front Bedside Panel	1
T		Right Back Support	1

Hardware

Label	Picture	Description	QTY
1		Side Panel Connector	2
2		Two Hole Bracket	4
3		L-bracket	4
4		Brace	3
5		Bolt(M8 x 45mm)	5
6		Bolt(M8x40mm)	31
7		Bolt(M8 x 20mm)	55
8		Bolt(M8 x 15mm)	5
9		Nut(M8x40mm)	5
10		Washer	7
11		Allen Key	1
12		Wrench	1
13		Bolt(M8 x 60mm)	1

Assembly Preparation

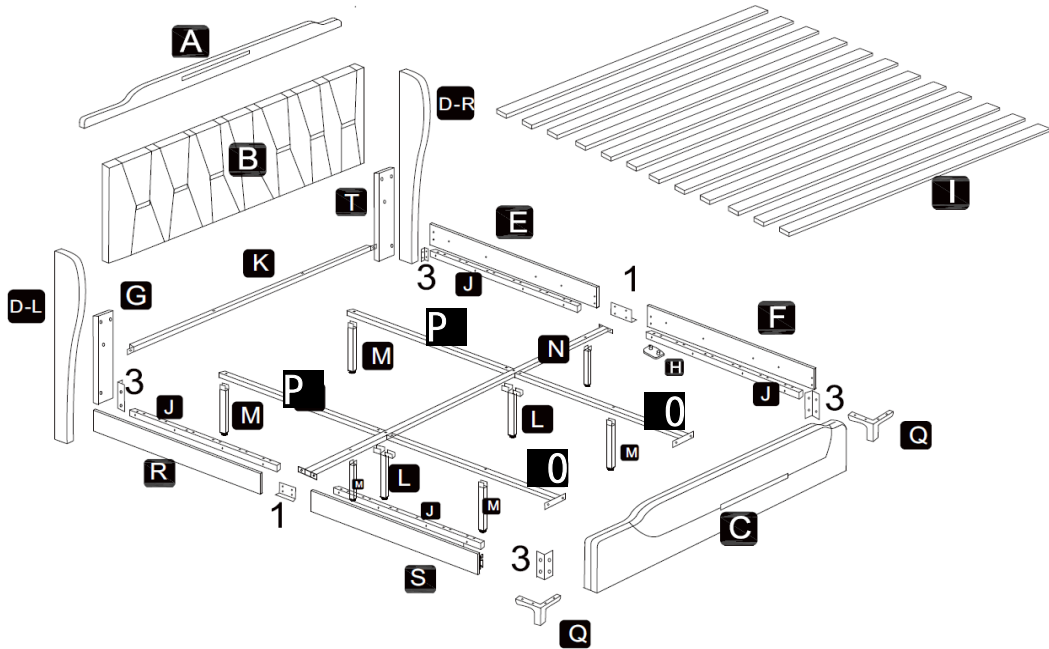
Before Beginning Assembly:

A x1	B x1	C x1	D-L x2	D-R x2
E x1	F x1	G x1	H x24	
I x12	J x4	K x1	L x2	
M x6	N x1	O x2	P x2	
Q x2	R x1	S x1	T x1	

1 x2	2 x4	3 x4	4 x3
5 Bolts(M8x45mm) x4	6 Bolts(M8x40mm) x30	7 Bolts(M8x20mm) x54	8 Bolts(M8x15mm) x4
9 Bolts(M8x40mm) x4	10 Flat Washer x6	11 Allen Key M6	12 x1
13 Bolts(M8x60mm) x2			

- Read instructions, cover to cover-
- Have 2 adults on hand for assembly-
- Do not assemble on flooring or carpet-
- Assemble on a clean non-marring surface (packing foam)-
- Save all packaging until finished-

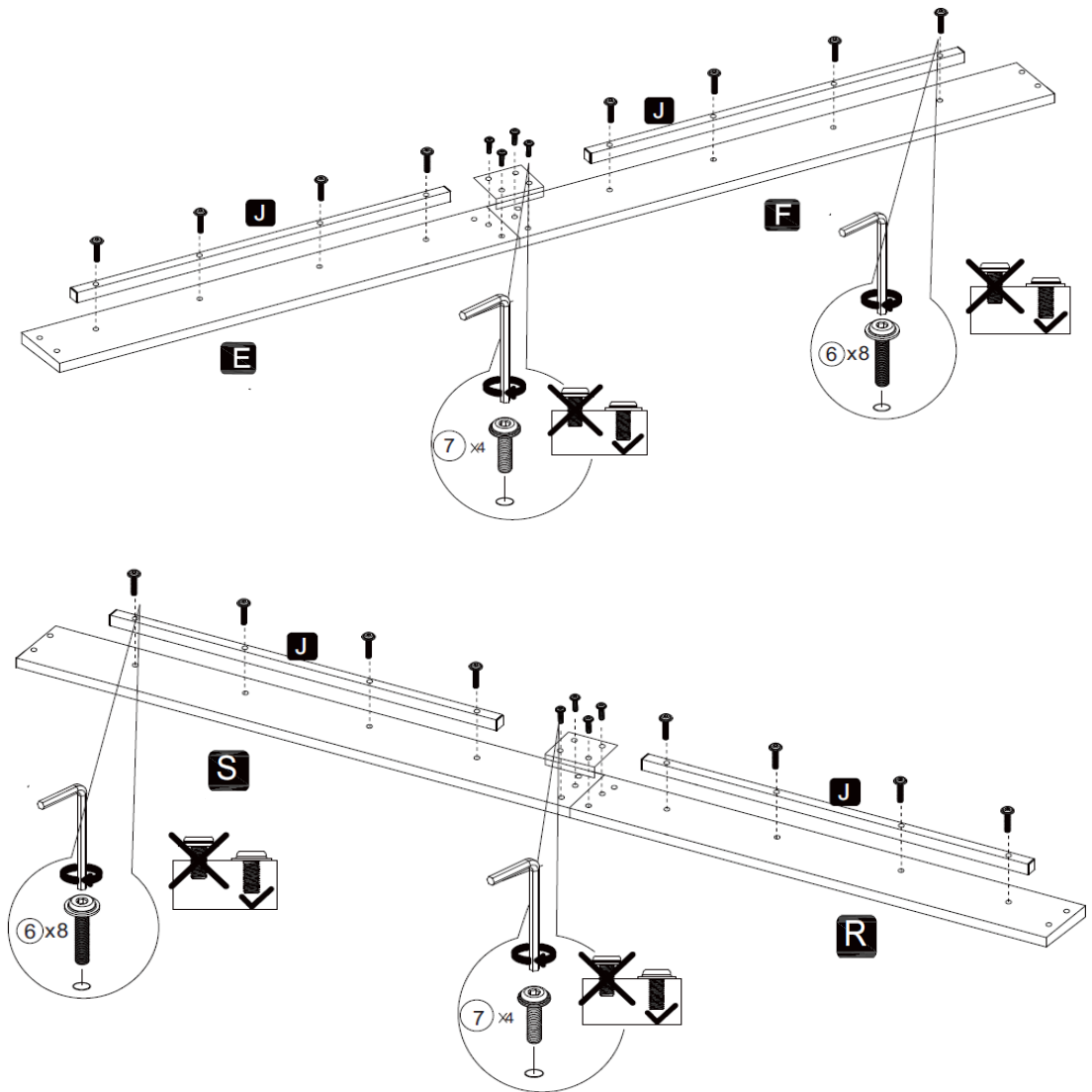
Overview



This Bed has multiple parts and may require up to 60 minutes to assemble.
To give you an overview of the Bed parts, the above picture is to help you put the various Bed parts into perspective.
Please read through the instructions below to familiarise yourself with the parts and steps before assembly.

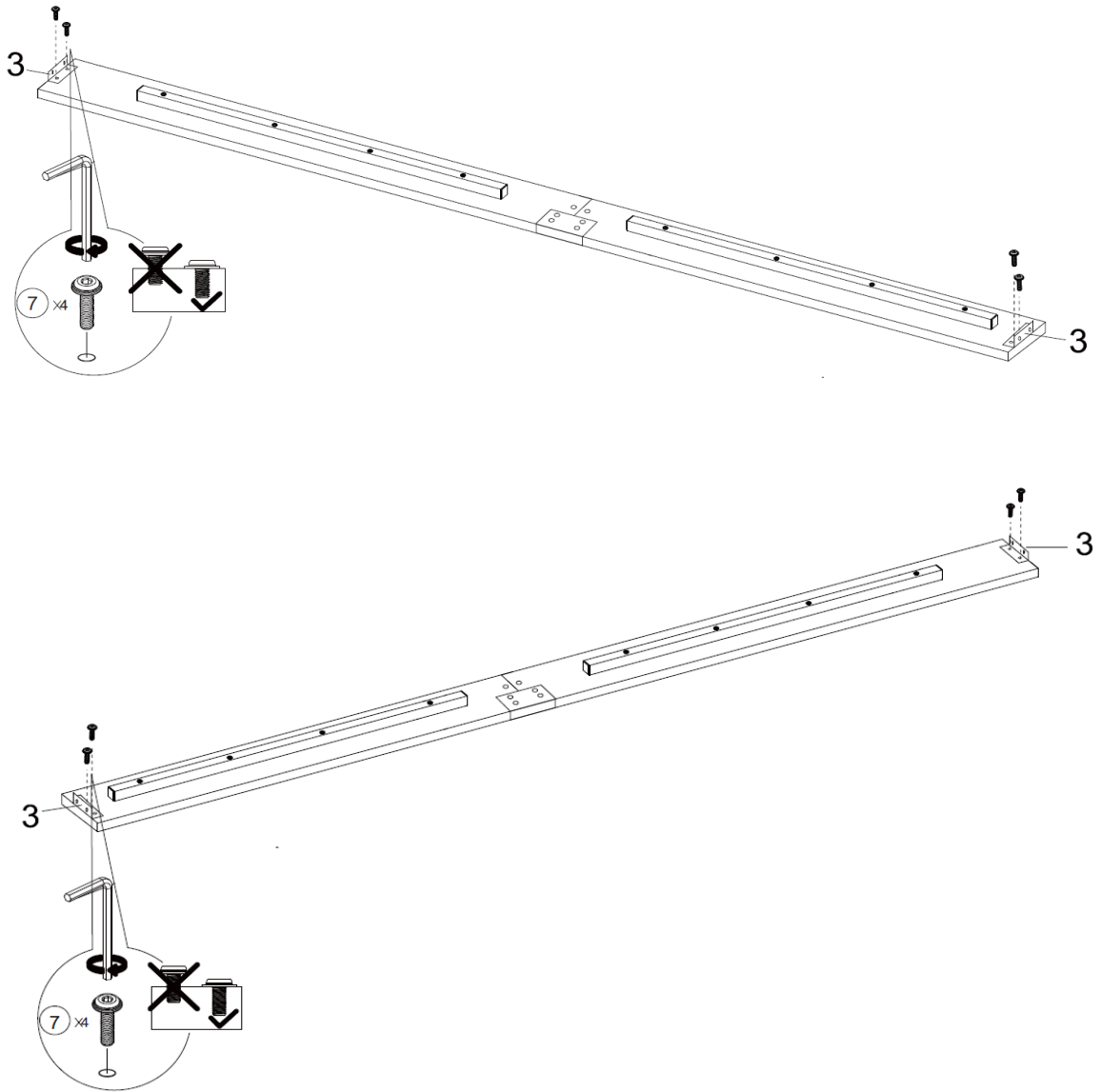
Step 1

- | | | |
|----|--|-----|
| 1 | | x2 |
| 6 | | x16 |
| 7 | | x8 |
| 11 | | x1 |



Connect Bedside Panel(E&F) with Side Panel Connector(1) using Bolts(7) with Allen Key(11).
Attach Slat Rail(J) to the Bedside Panel(E&F) using Bolts(6) with Allen Key(11).
Repeat the same step for another side.

Step 2

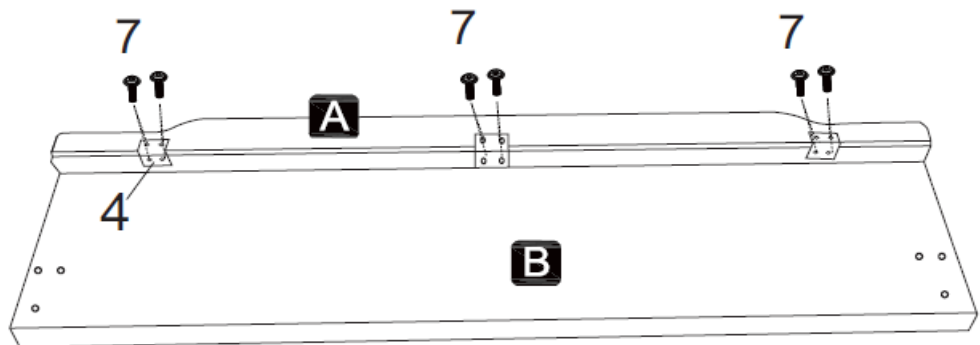


- | | | |
|----|--|----|
| 3 | | x4 |
| 7 | | x8 |
| 11 | | x1 |

Attach the L-bracket(3) to the two ends of the bedside panel using Bolts(7) with Allen Key(10).


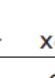
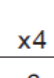


Step 3-1

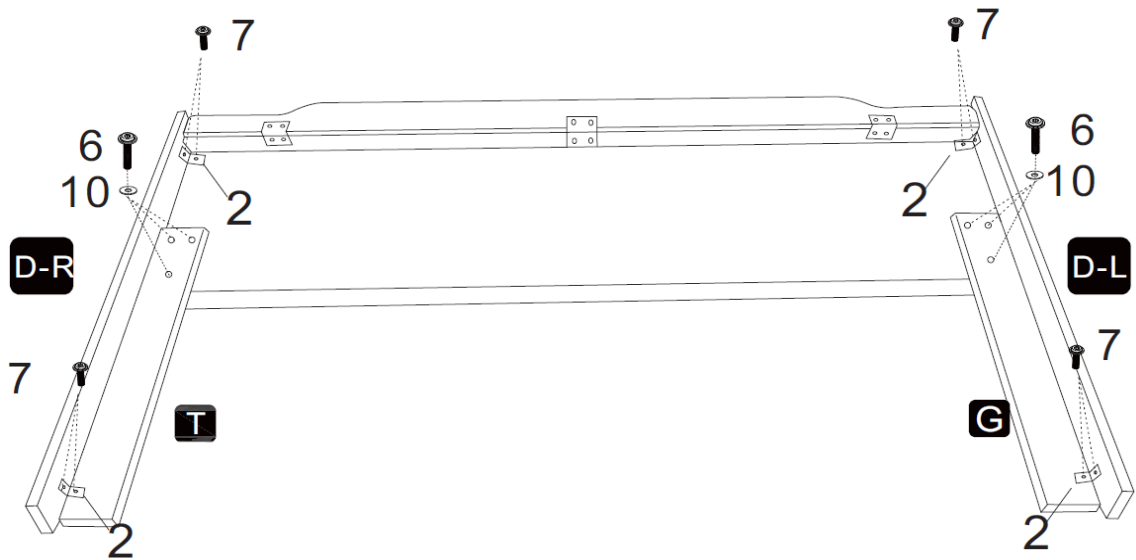
- | | | |
|----|--|----|
| 7 | | 12 |
| 11 | | x1 |



Attach the Headboard Top Bar(A) to the Headboard(B) with Brace(4) using Bolts(7) and Allen Key(11) to secure the brace.

Step 3-2

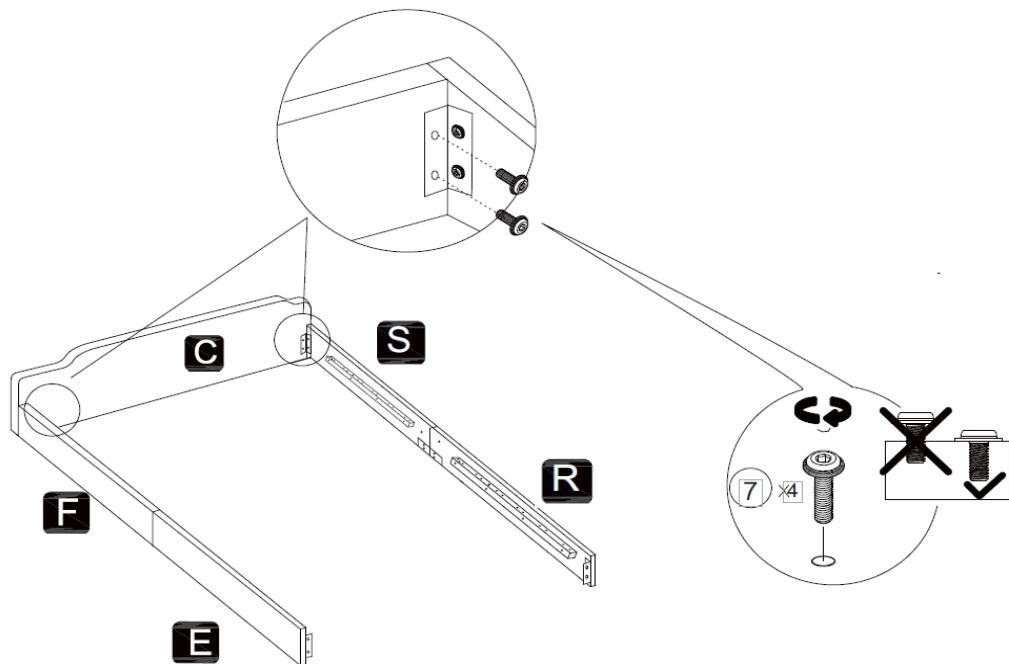
2		x4
6		x6
7		x8
11		x1
10		x6



Attach the Left Back Support (G) and Headboard Side Panel (D-L) to the Headboard (B).
Position the Two Hole Bracket (2) on the Headboard Side Panels(D-L) and align them with the Right Back Support(G).
Insert the Screws: Place Bolts (7) through the Two Hole Bracket(2) into the side and support panels. Ensure Washers (10) and Bolts (6) are in place.
Secure the Bolts: Tighten all bolts using Allen Key(11), ensuring everything is secure and stable.
Repeat the same step to the right side.



Step 4-1

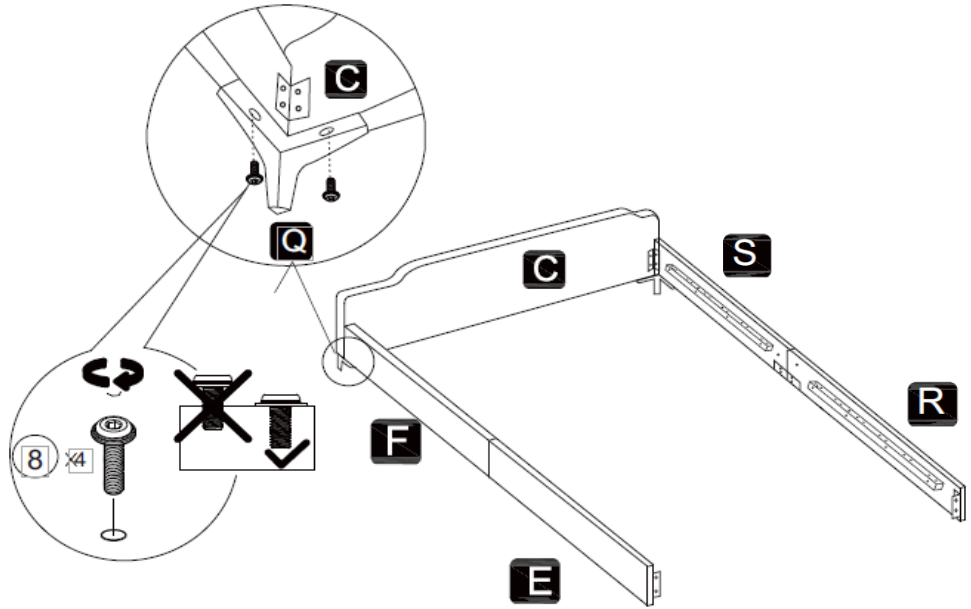
7		x4
11		x1



Attach the Footboard(C) to Bedside Panels(F&S) using Bolt(7) and Allen Key(11).


Step 4-2

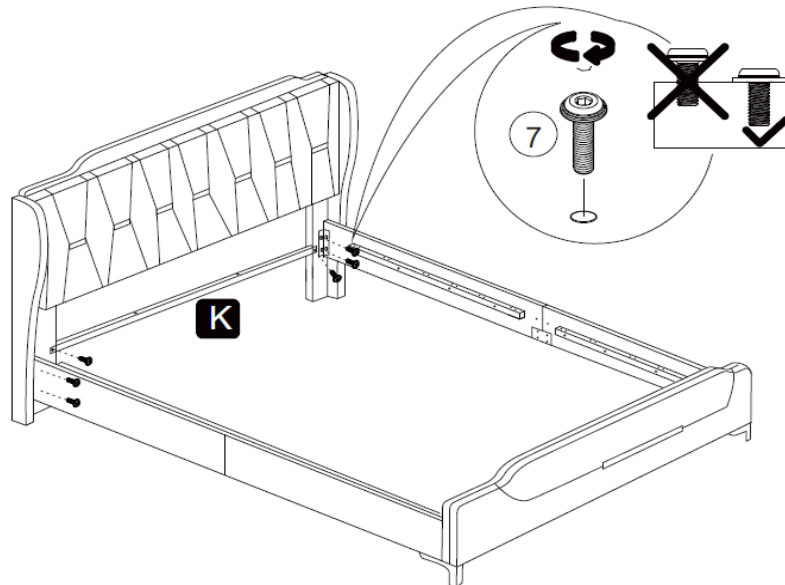
8		x4
11		x1



Attach the Legs(Q) to the corners of Footboard(C) using Bolts(8) and Allen Key(11).







Step 5

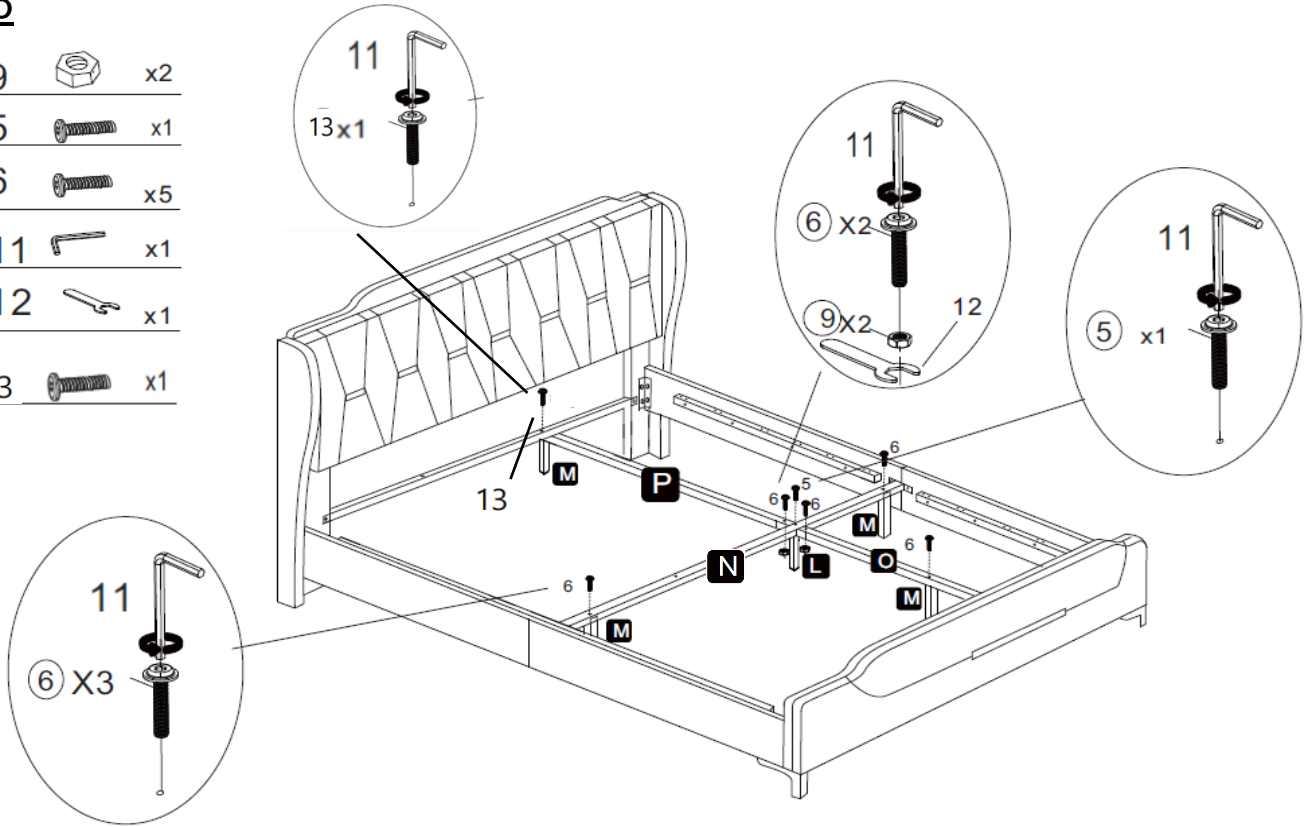
7		x6
11		x1



Attach the bed frame to the Back Supports(G & T) using Bolts(7) and Allen Key(11).
Attach the Back Rail(K) to the Back Support(G & T) using Bolts(7) and Allen Key(11).




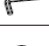


Step 6

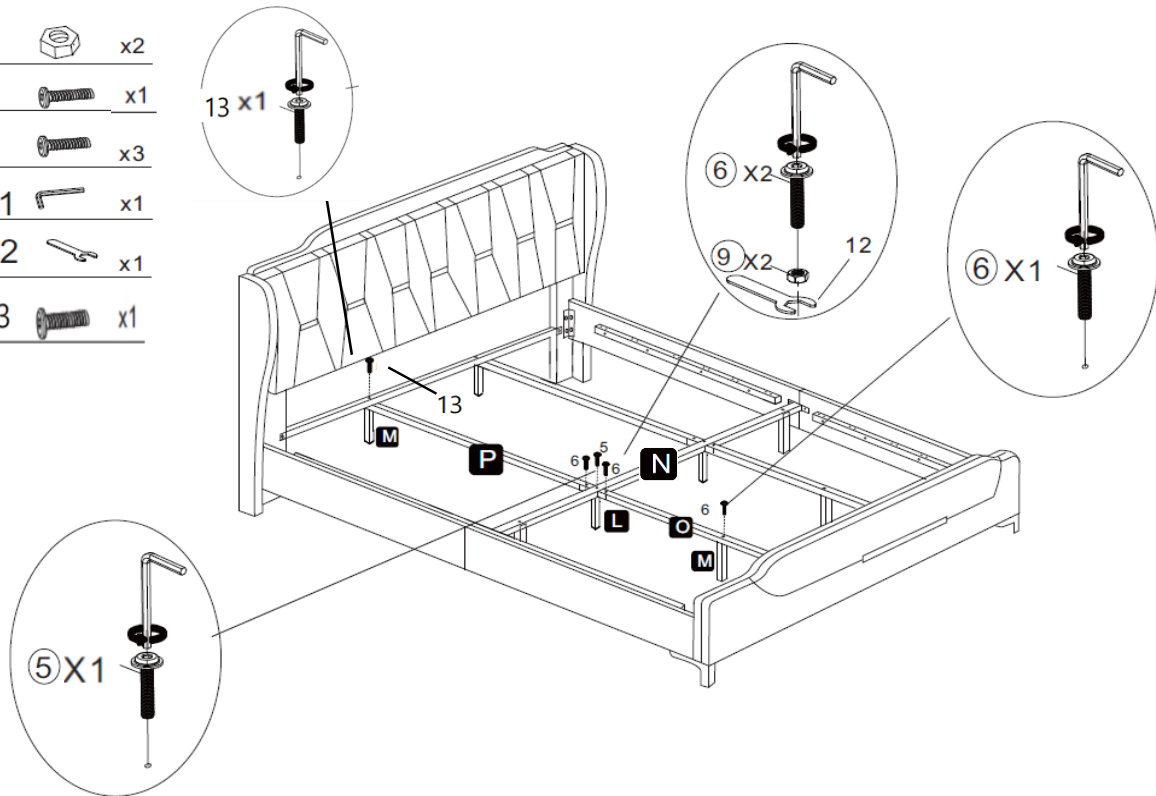
9		x2
5		x1
6		x5
11		x1
12		x1
13		x1



Position the Center Support Rail (N) between Support Rails (P & O). Attach the Center Support Leg (L) to the cross joint using Bolt 5 (1 piece), Bolt 6 (2 pieces) and Nut 9 (2 pieces). Secure with Allen Key(11) and Wrench (12). Attach Support Leg (M) and Back Support Rail P to the Back Rail (K) using Bolt (5). Secure with Allen Key(11). Attach the Support Legs (M) to other three ends of the support rails using Bolt 6 (3 pieces). Tighten with the Allen key (11).



Step 7

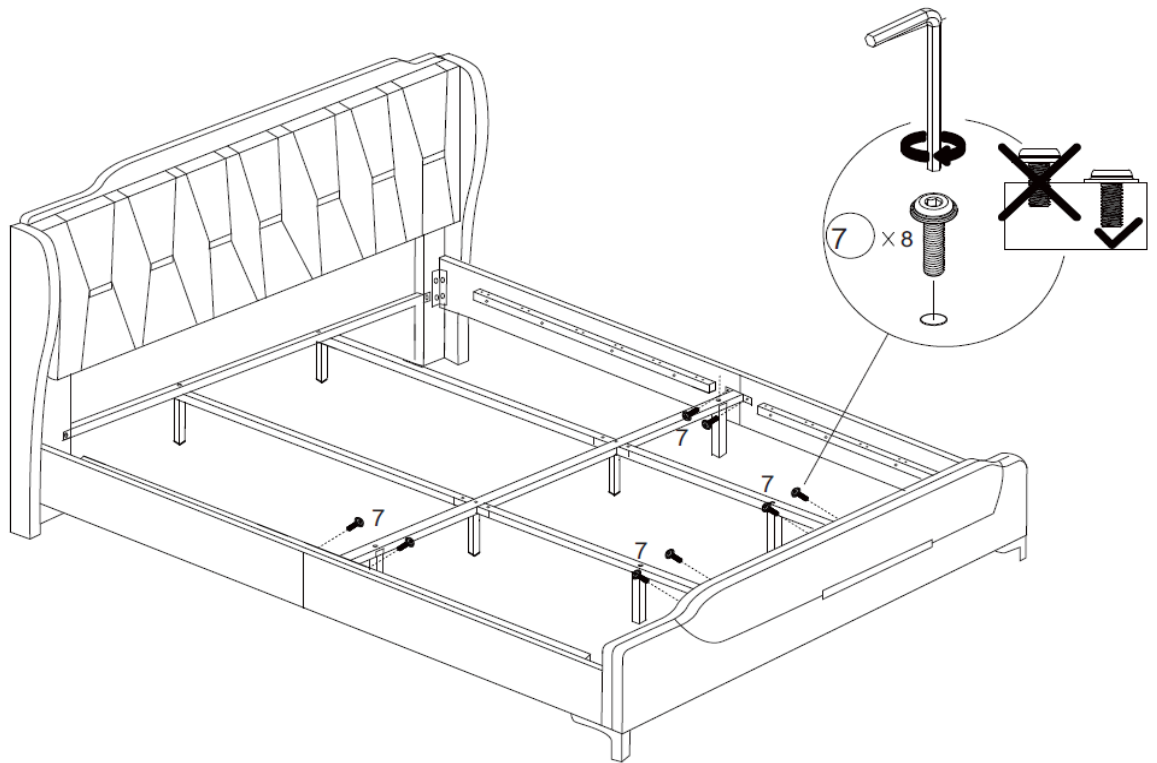
9		x2
5		x1
6		x3
11		x1
12		x1
13		x1



Position the Center Support Rail (N) between Support Rails (P & O). Attach the Center Support Leg (L) to the cross joint using Bolt 5 (1 piece), Bolt 6 (2 pieces) and Nut 9 (2 pieces). Secure with Allen Key(11) and Wrench (12). Attach Support Leg (M) and Back Support Rail P to the Back Rail (K) using Bolt (5). Secure with Allen Key(11). Attach the Support Leg (M) to Front Support Rail (O) using Bolt (6). Secure with Allen Key(11).

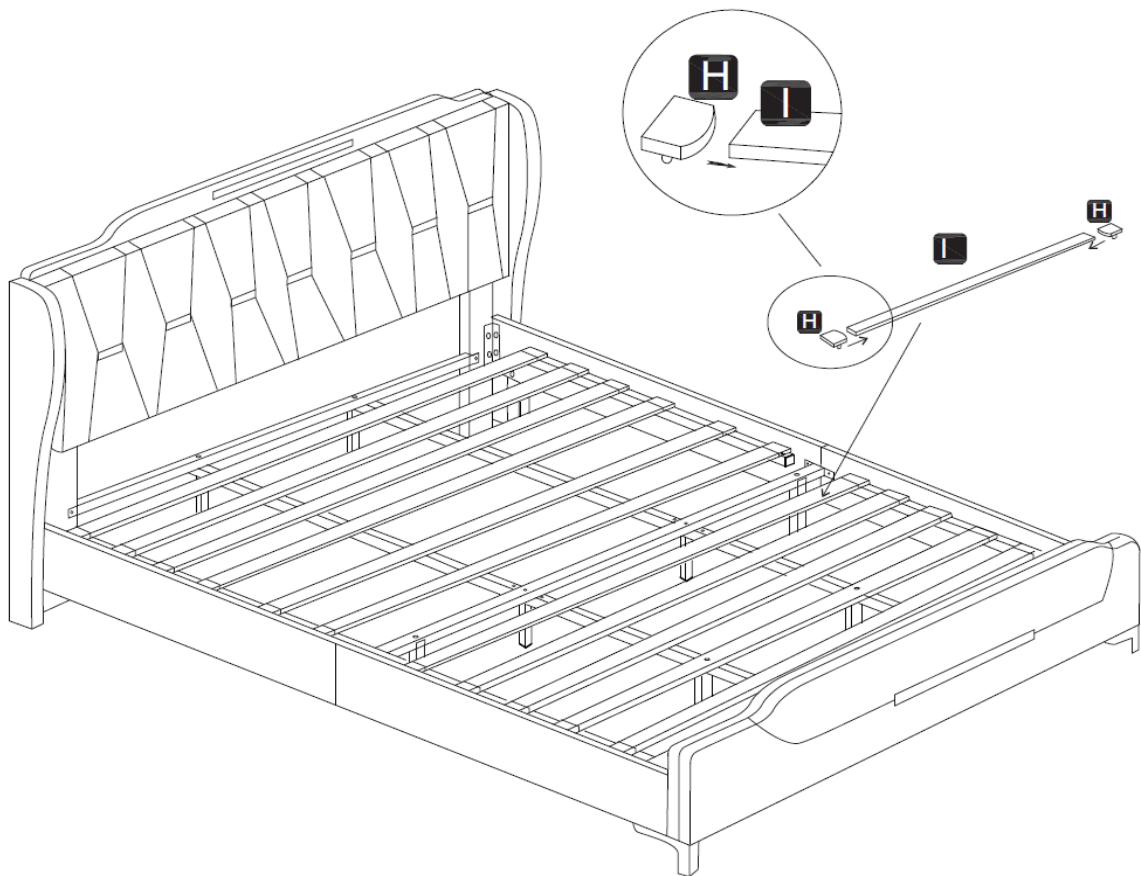
Step 8

7  x8
11  x1



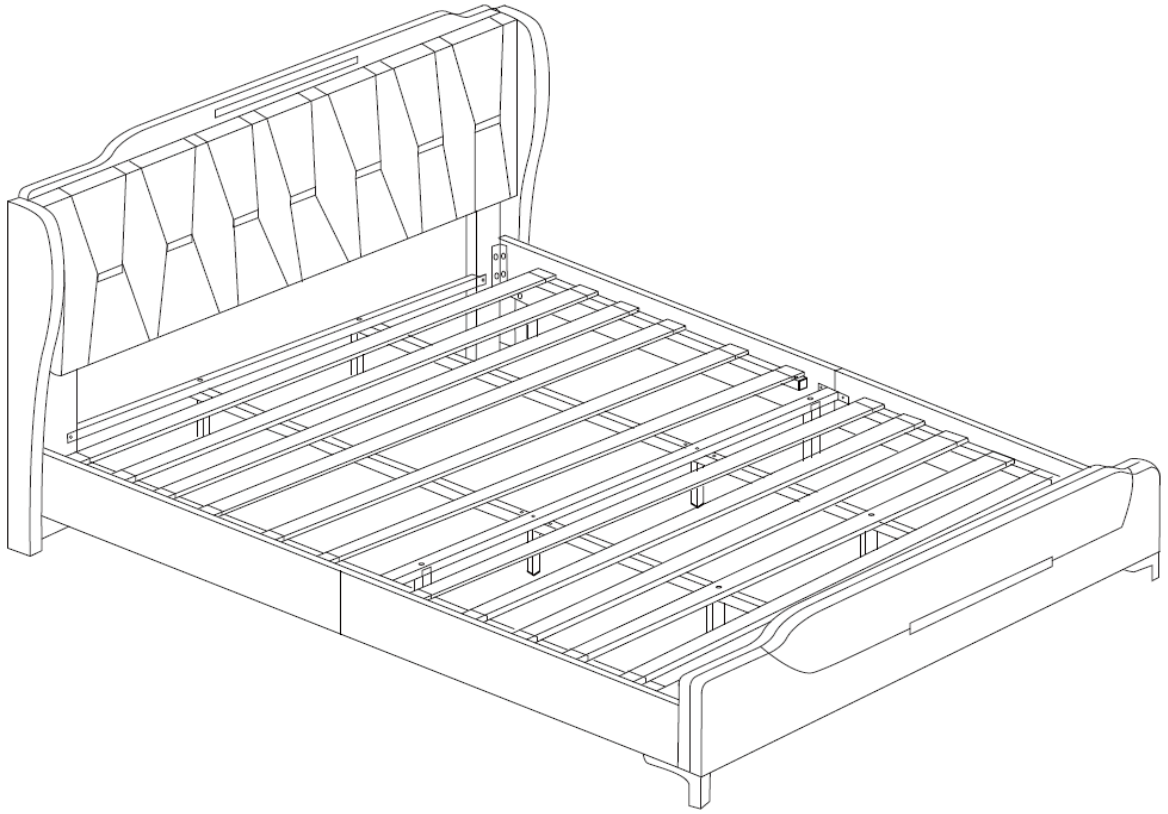
Use Bolt(7) and Allen Key(11) to secure the Center Support Rails to the bed frame.

Step 9



Insert the Side Slat Plug (H) into both ends of Slat (I).
Align the Side Slat Plug (H) with the mounting position on the Slat Rail (J) and press it into place by hand.
Repeat the same step to assemble the remaining Slat (I).

Step 10



Your bed is ready for use.

Note: After assembly and before using the bed, inspect to make sure all parts are properly connected and securely fastened.