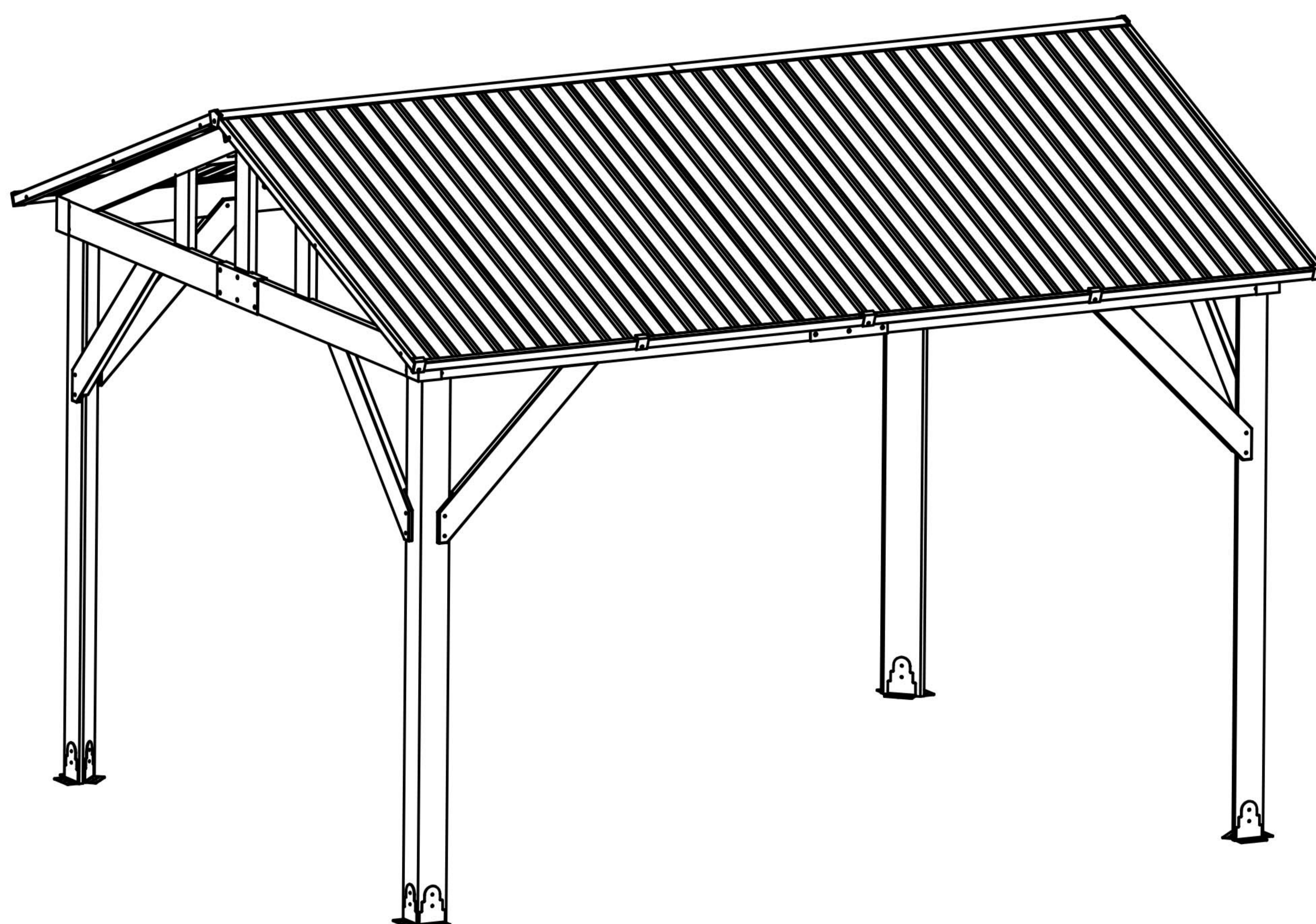


Metal Roof
Cedar Wooden Gazebo 10X12FT

SKU: C001G066V2-1
C001G066V2-2
C001G066V2-3
C001G066V2-4

ASSEMBLY INSTRUCTIONS



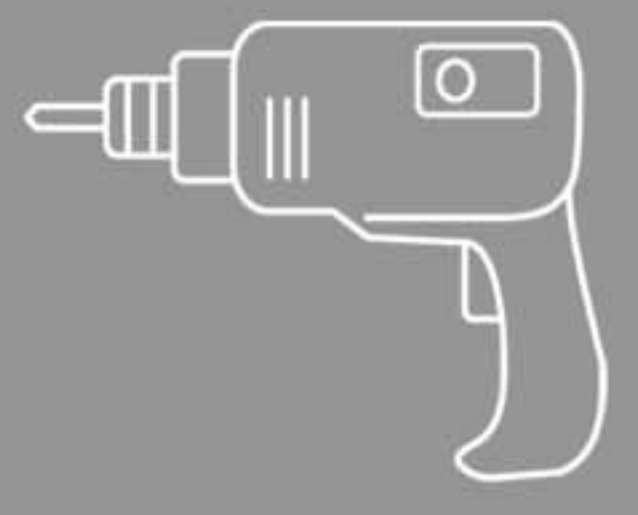
Please check the number of parts in the following accessory catalogue when unpacking. We have sent you more small parts for spare. If there is any missing or any questions about the installation. Please feel free to contact us. We will reply within 24 hours.



E-mail: cs.helper01@gmail.com

TOOLS RECOMMENDED

*NOTE: The recommended tools are not included in boxes and need to be prepared by yourself.



DRILL



RUBBER Mallet



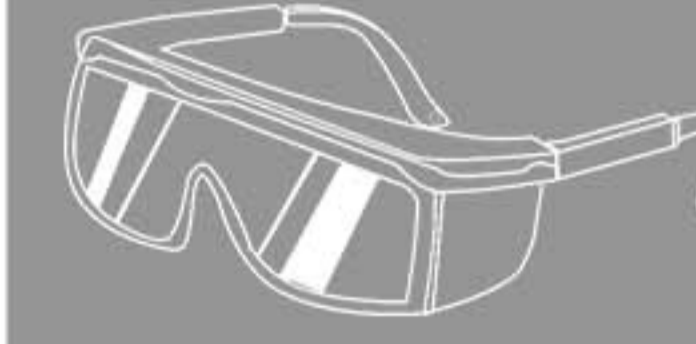
STEPLADDER
(6.5Ft Or More)



SAFETY HAT



GLOVES



SAFETY GOGGLES

ATTENTIONS



Since it is easy to lose many small accessories during the installation, please collect all the screw accessories before the assembly is completed



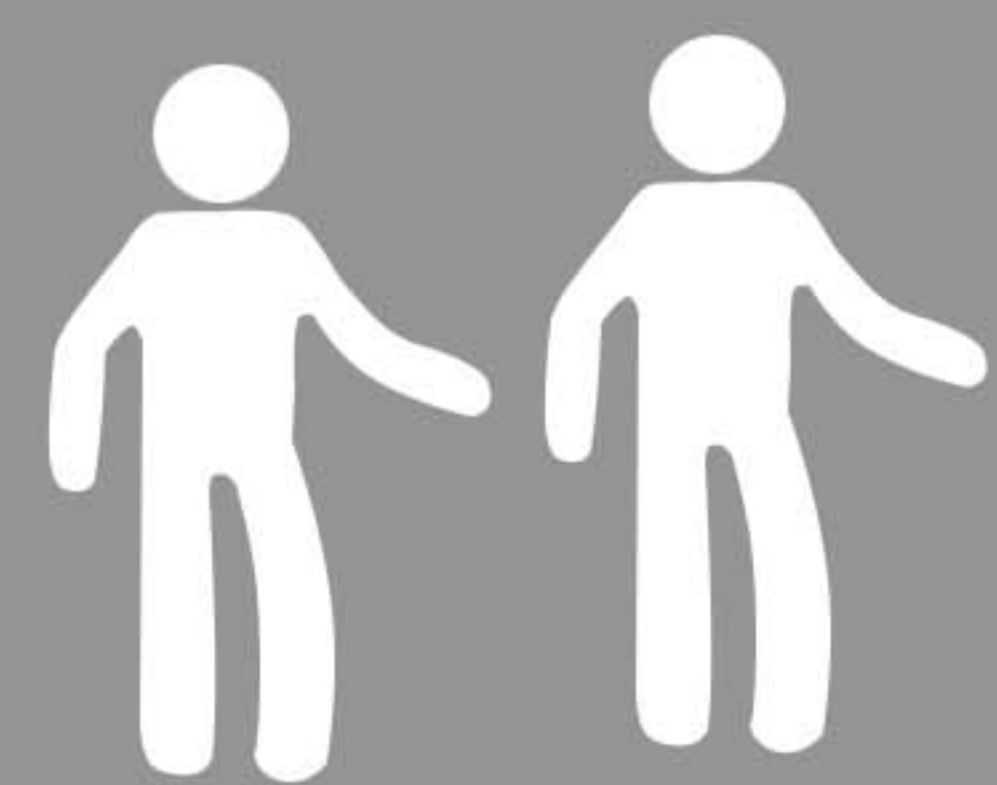
To better align the screws for practical situations, do not fully tighten screws initially



Please reinforced the Gazebo and do not use in heavy winds or inclement weather



Make sure all screws are tightened before use and check all screws, buckles and straps every 90 days



Two or more people are required for assembly



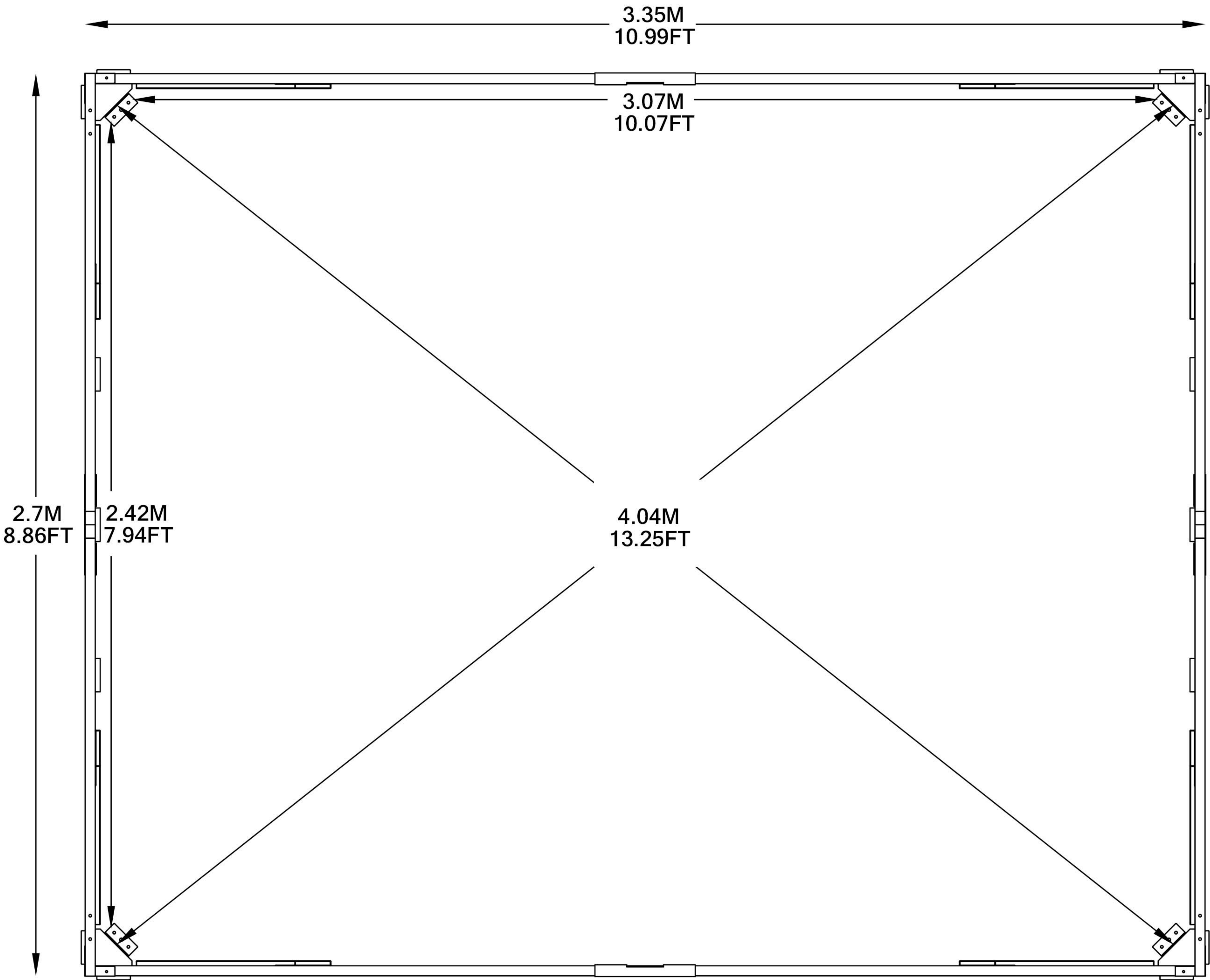
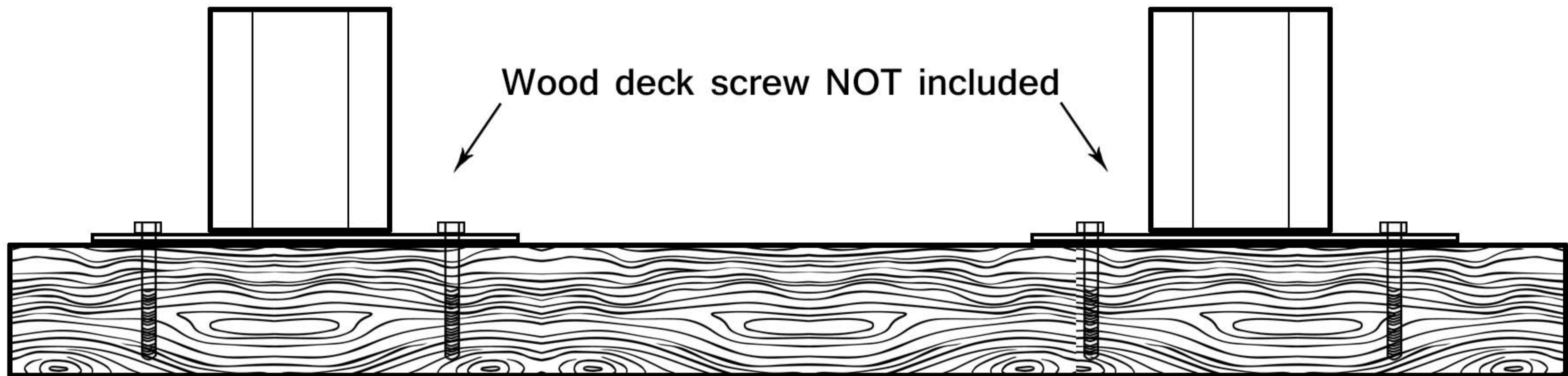
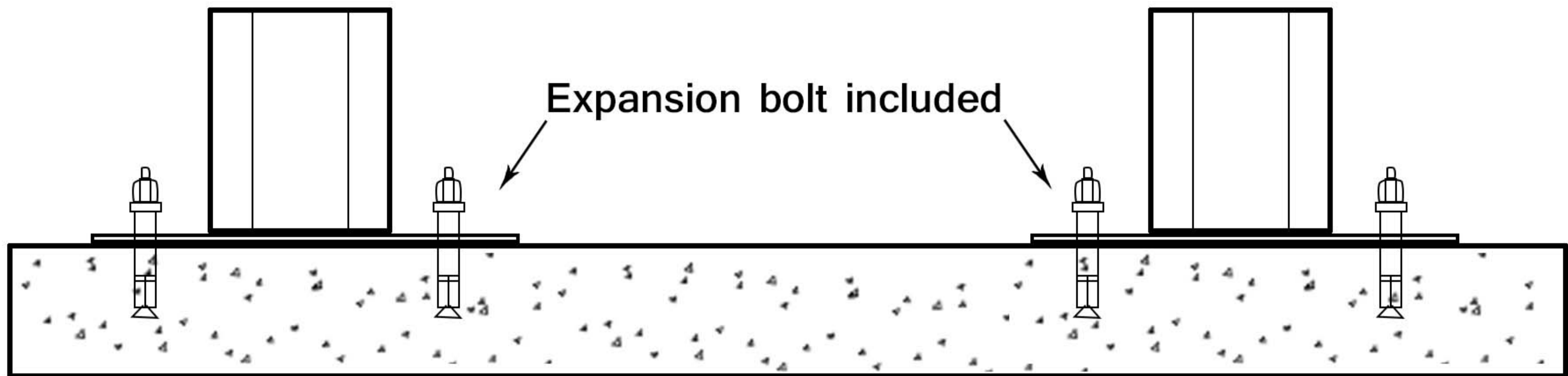
Please clear the snow off the roof in time for the heavy snowfall and do not use it

Please take care of the screws and contact the after-sales service if there is any problem with the installation or parts.



Permanent Installation Examples

Our supporting expansion screws can only be used for cement floors, customers need to bring their own special screws if they are used for wood floors

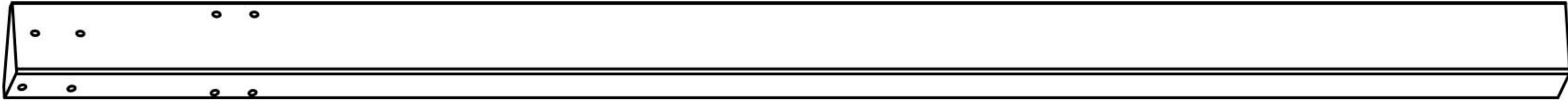


Please take care of the screws and contact the after-sales service if there is any problem with the installation or parts.

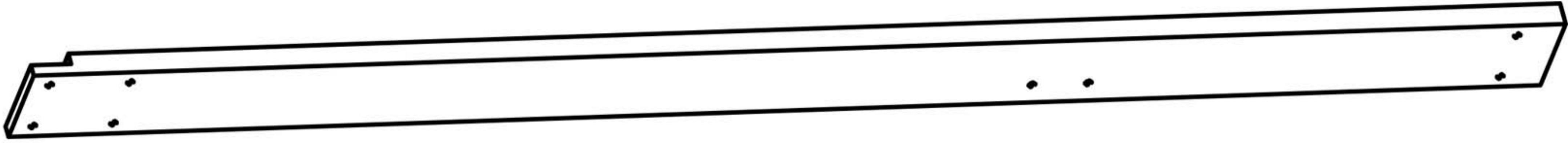
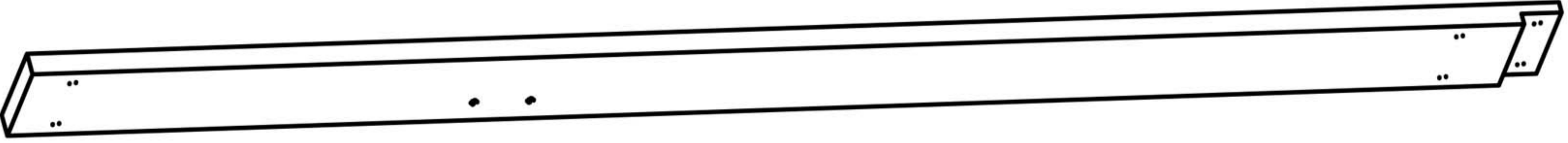
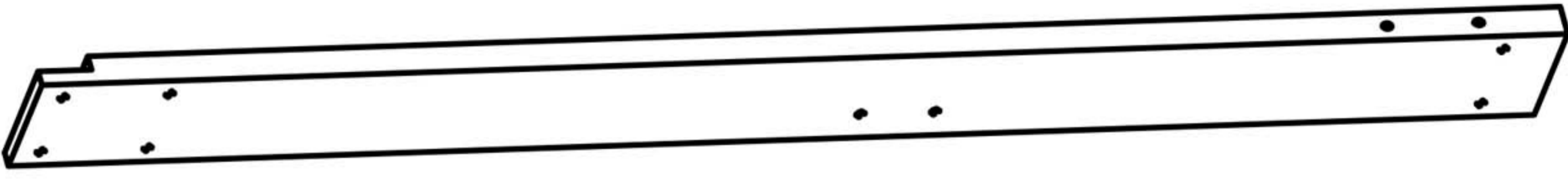

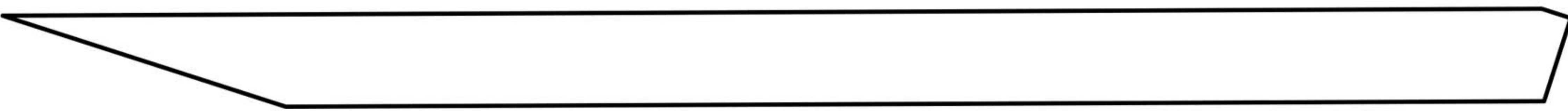
➔ ✉ E-mail: cs.helper01@gmail.com

ACCESSORY CATALOGUE

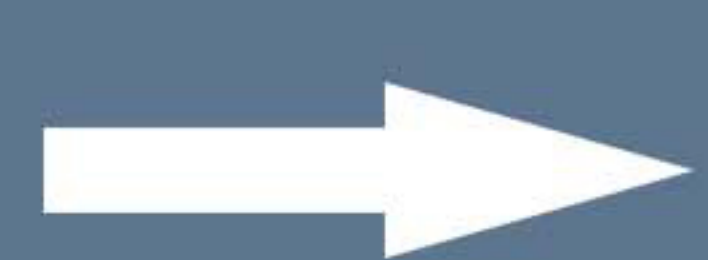
BOX 1 SKU: C001G066V2-1

Item no.	Reference Image	Qty.
A		4

BOX 2 SKU: C001G066V2-2

Item no.	Reference Image	Qty.
B		2
B1		2
C		2
C1		2
E		4

Please take care of the screws and contact the after-sales service if there is any problem with the installation or parts.



ACCESSORY CATALOGUE

Item no.	Reference Image	Qty.	Item no.	Reference Image	Qty.
F		4	X	 M8X45mm	16
F1		4	X1	 M8X20mm	24
R		2	X2	 M8X35mm	32
R1		2	X3	 M8X90mm	4
R2		2	X4	 M4X40mm	32
XX	 M8X55mm	4	1		1

BOX 3

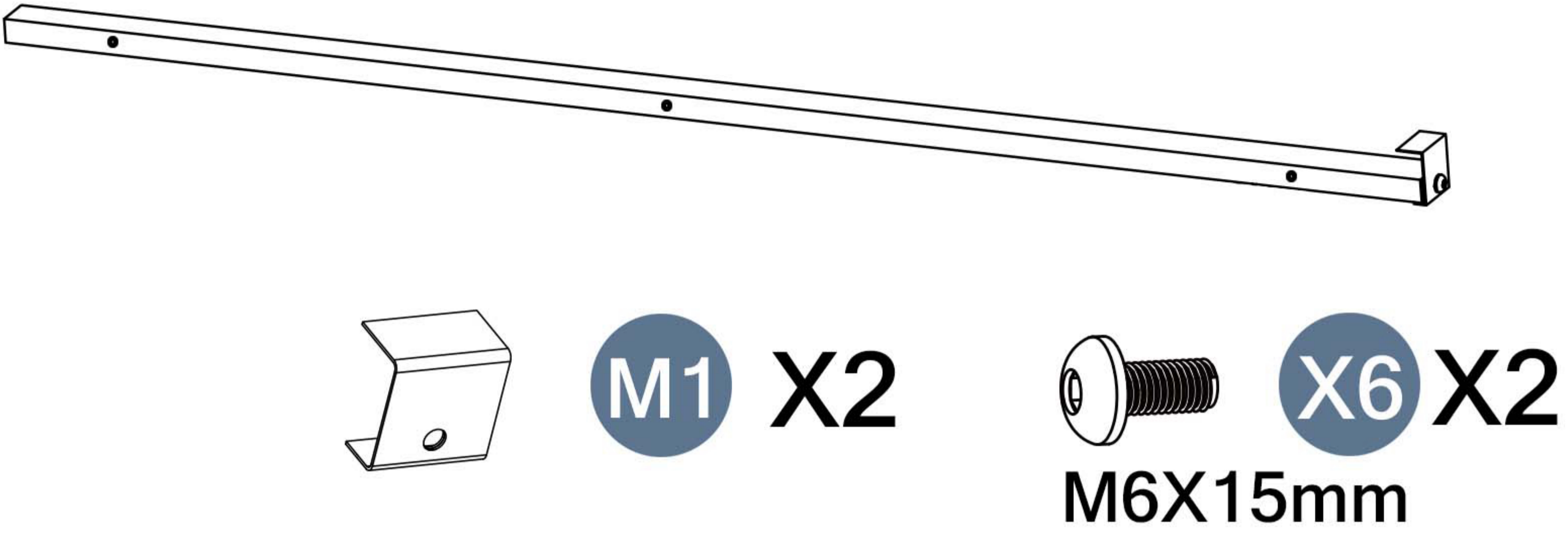
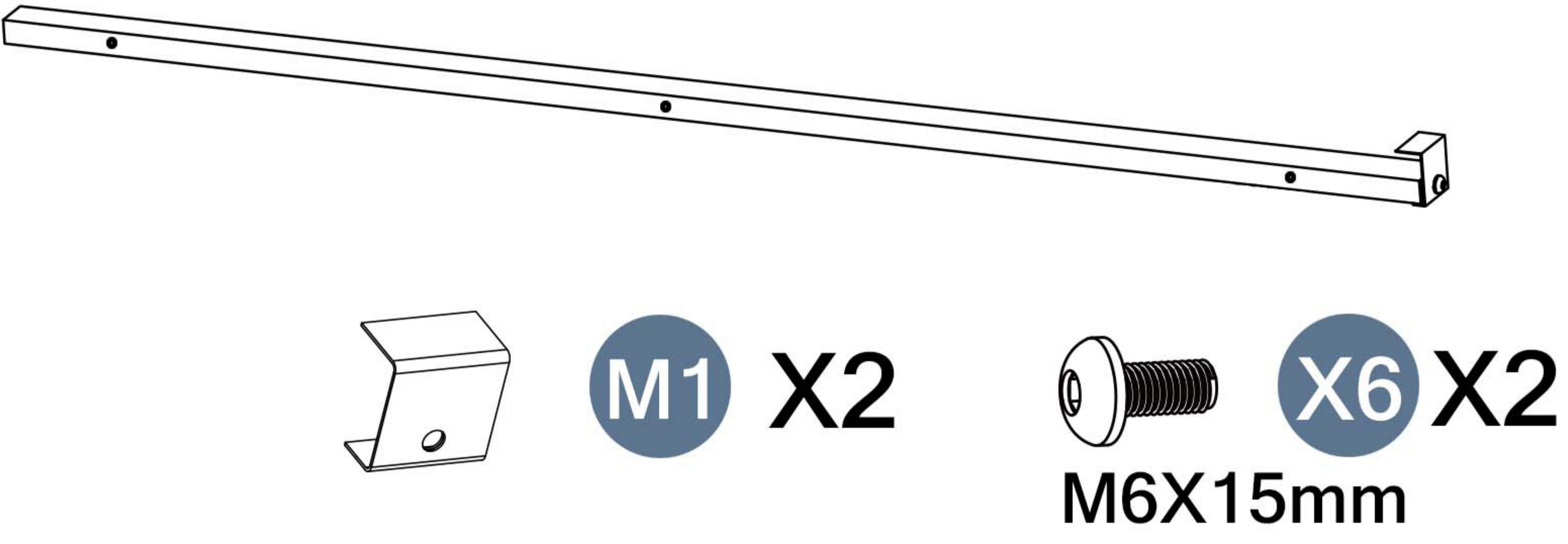
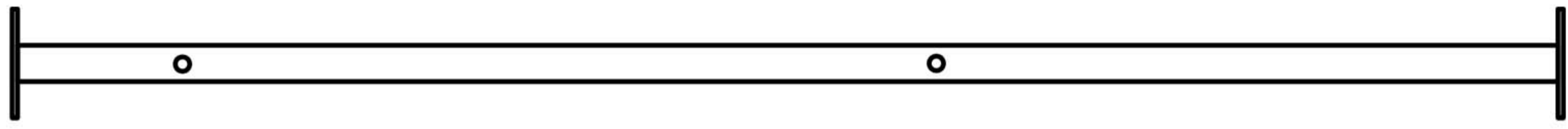
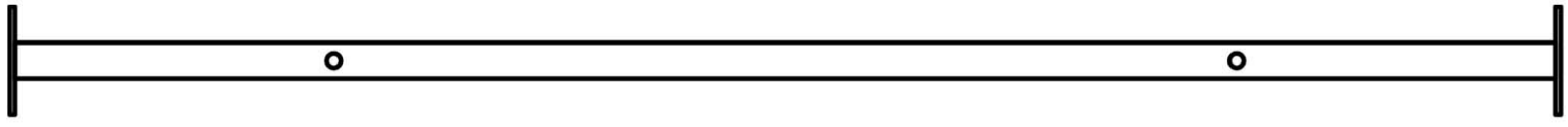
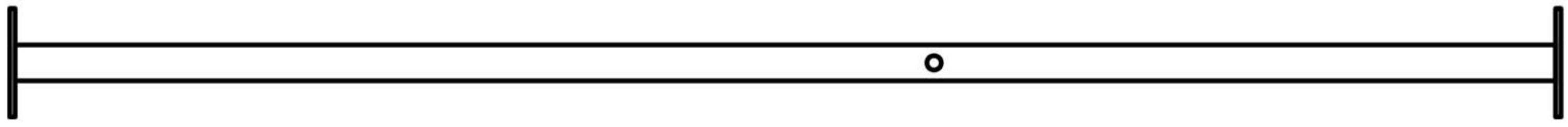
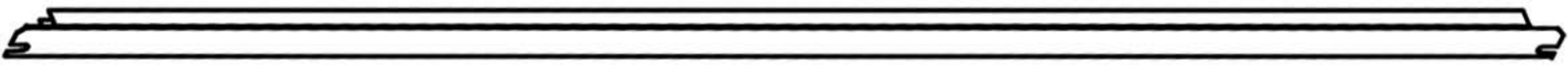
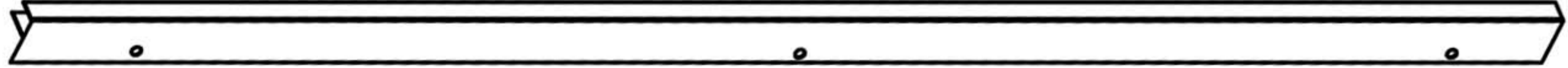
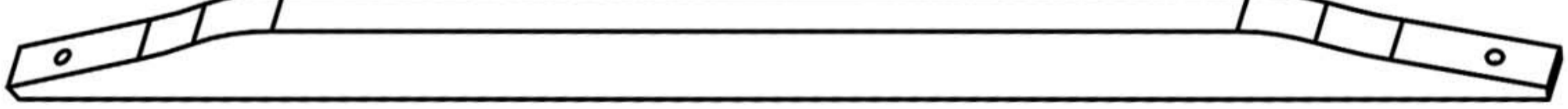
SKU: C001G066V2-3

Item no.	Reference Image	Qty.
D	 M1 X6 X6 X6 M6X15mm	6

Please take care of the screws and contact the after-sales service if there is any problem with the installation or parts.


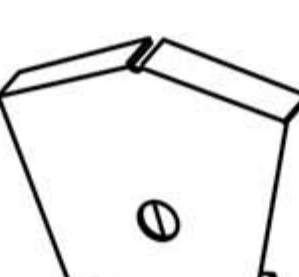
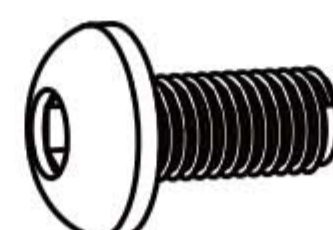
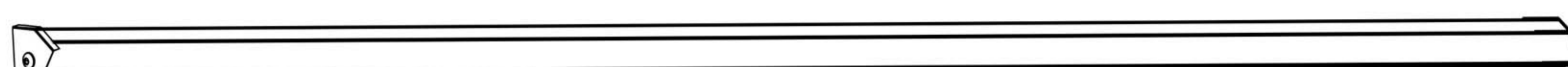
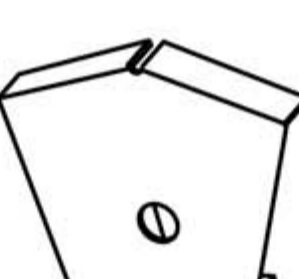
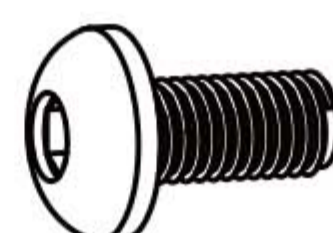
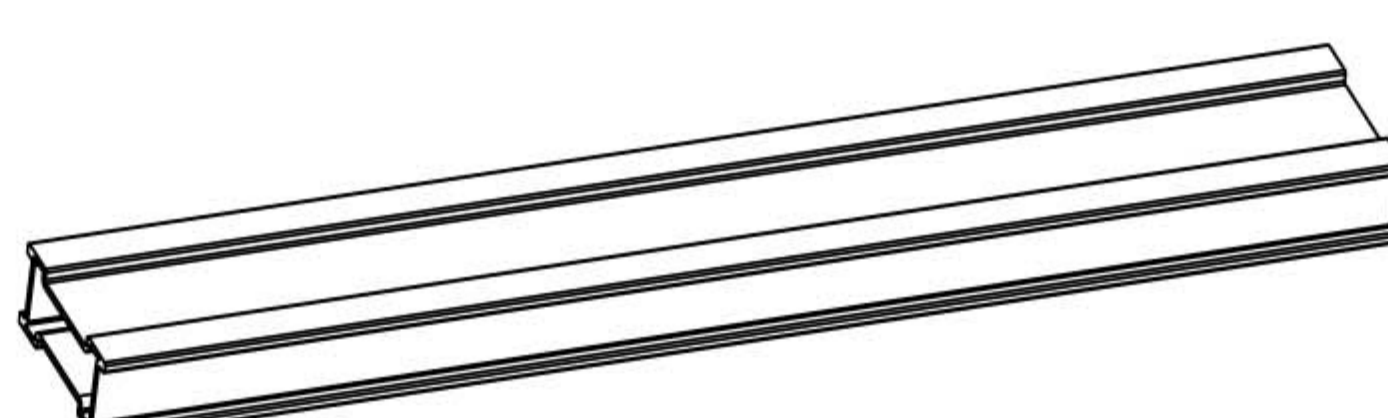
➔ ✉ E-mail: cs.helper01@gmail.com

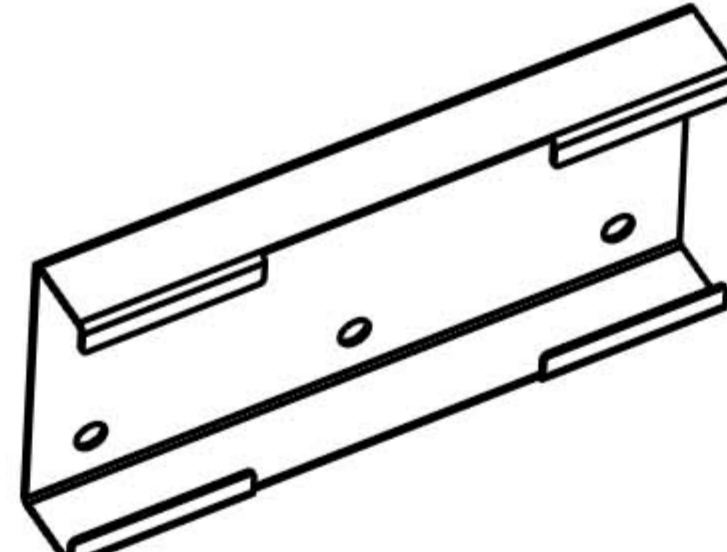
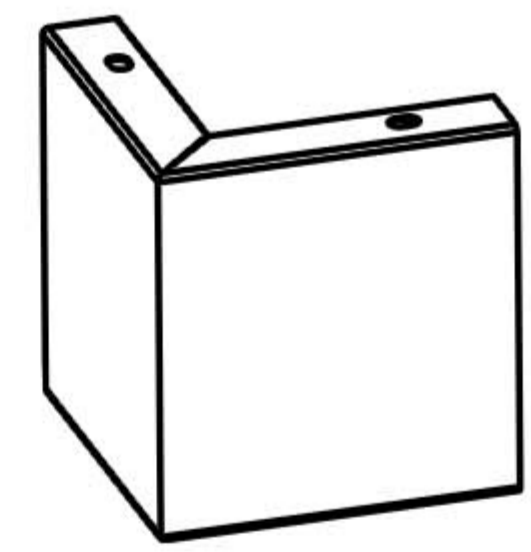
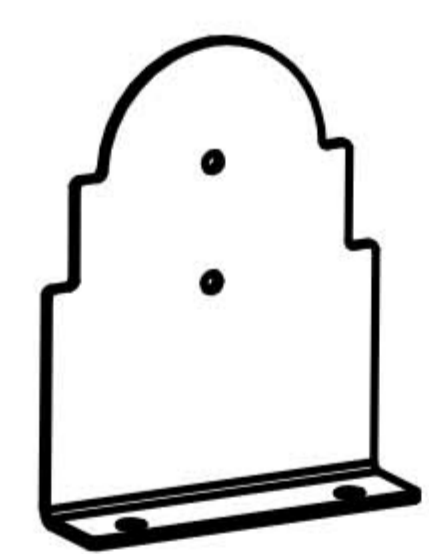
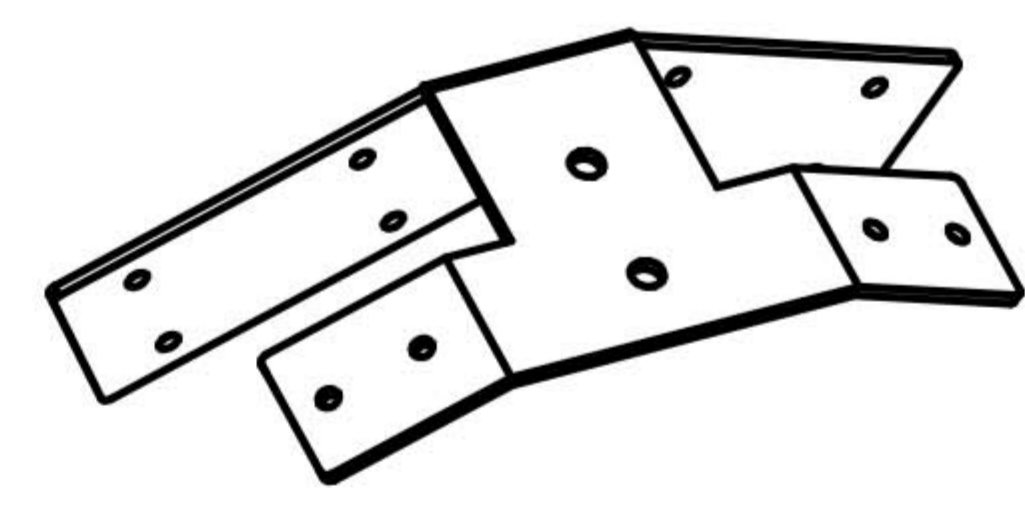
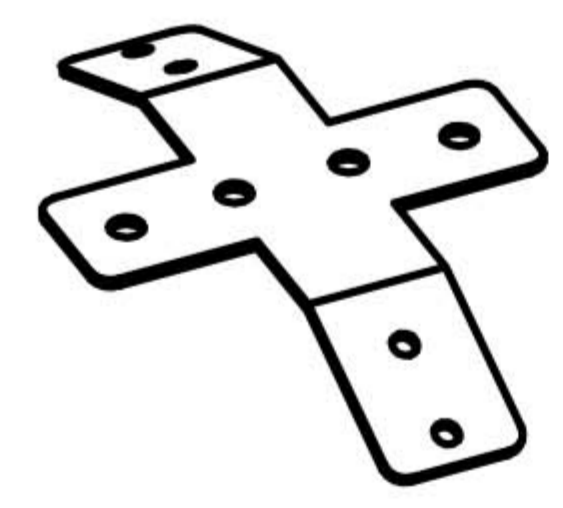
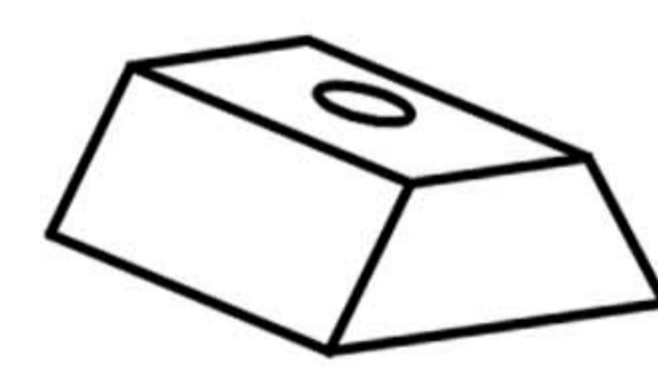
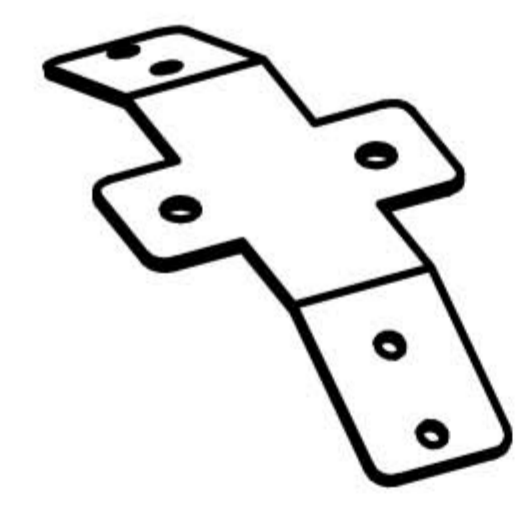
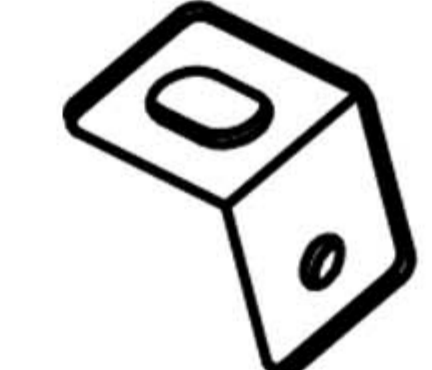
ACCESSORY CATALOGUE

Item no.	Reference Image	Qty.
D1		2
D2		2
O1		4
O2		8
O3		4
G		8
G1		4
H		3

Please take care of the screws and contact the after-sales service if there is any problem with the installation or parts.

ACCESSORY CATALOGUE


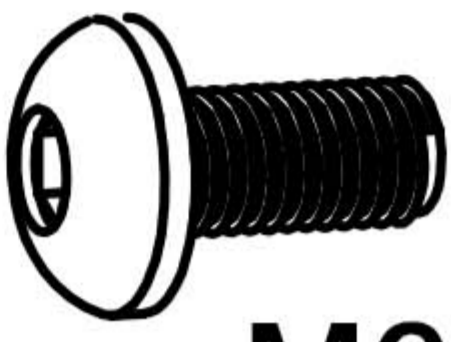
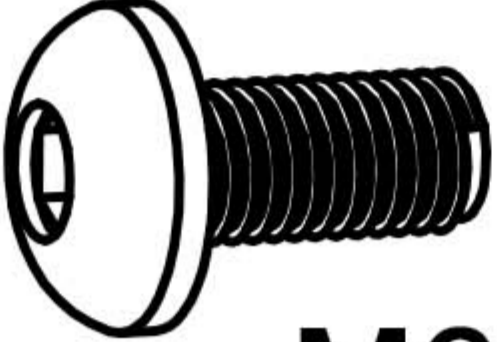


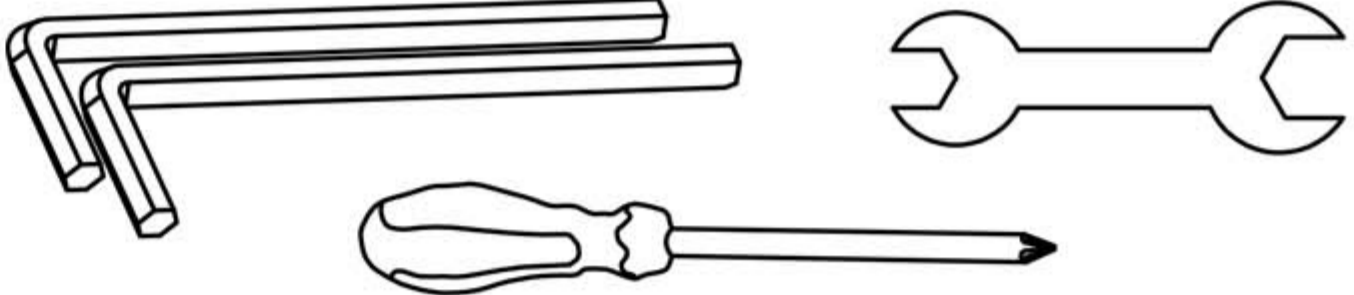
Item no.	Reference Image	Qty.
K	  M2 X1  X6 X1 M6X15mm	1
K1	  M2 X1  X6 X1 M6X15mm	1
P		1

Item no.	Reference Image	Qty.	Item no.	Reference Image	Qty.
T		4	J1		4
L		12	M3		2
M4		1	M6		24
M7		2	M9		4

Please take care of the screws and contact the after-sales service if there is any problem with the installation or parts.

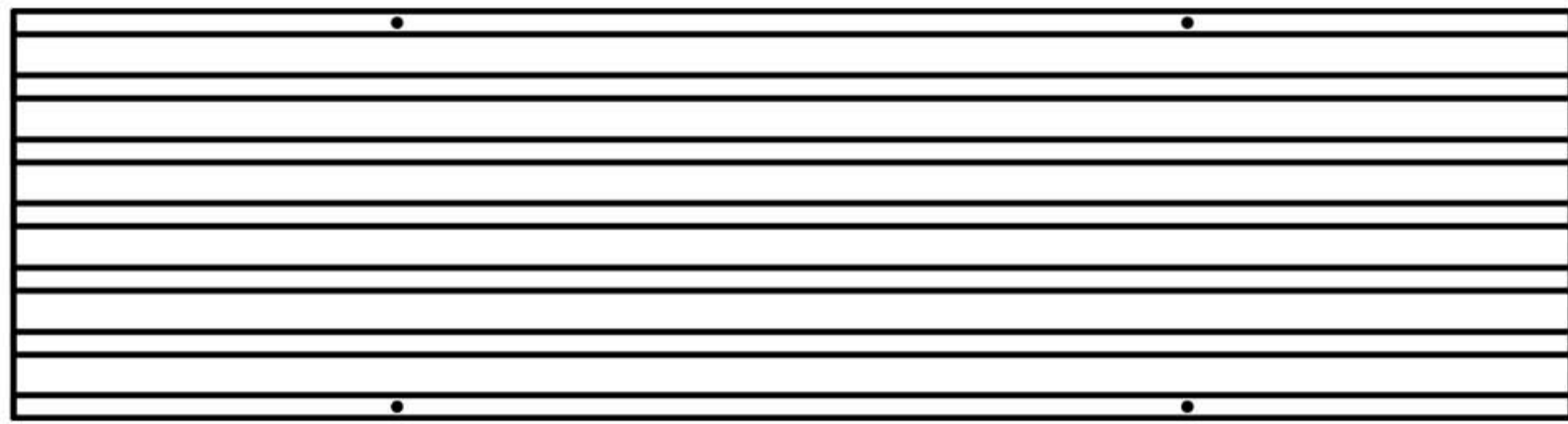
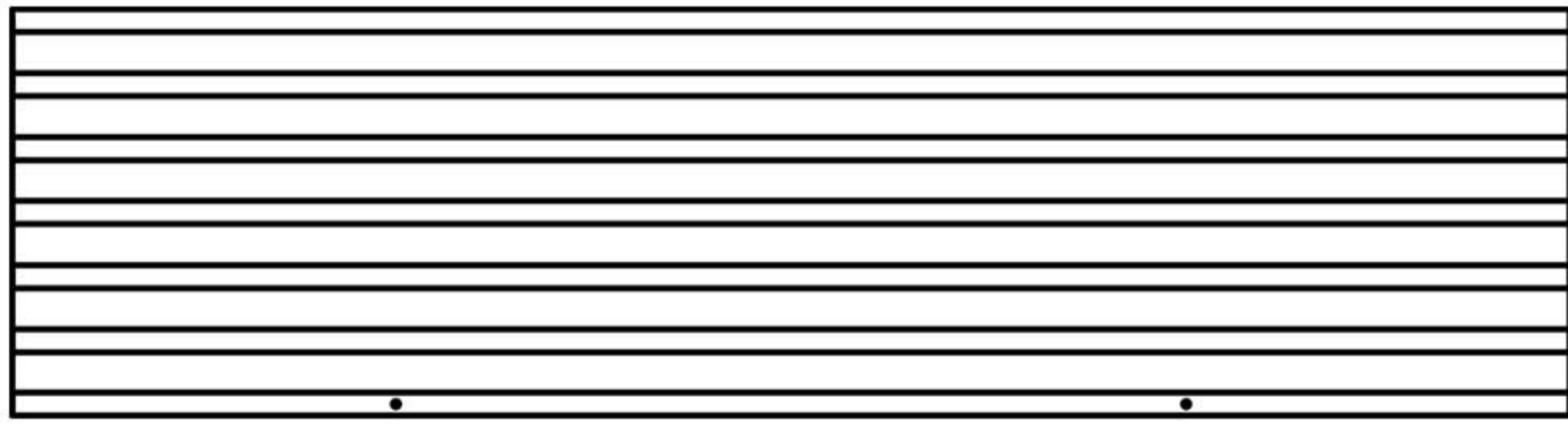
➔ ✉ E-mail: cs.helper01@gmail.com

ACCESSORY CATALOGUE

Item no.	Reference Image	Qty.	Item no.	Reference Image	Qty.
X5	 M4X20mm	62	X8	 M6X25mm	6
X6	 M6X15mm	112	2		8
X7	 M6X38mm	24	3		1

BOX 4

SKU: C001G066V2-4

Item no.	Reference Image	Qty.
N		10
N1		4

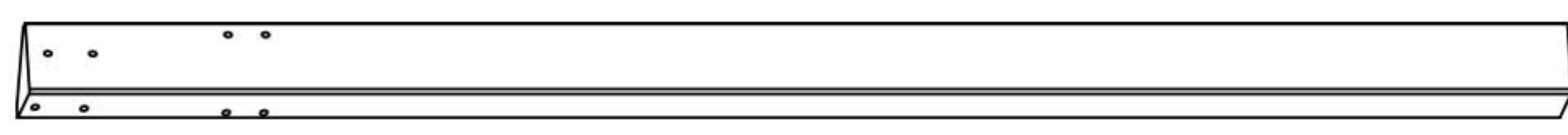
Please take care of the screws and contact the after-sales service if there is any problem with the installation or parts.



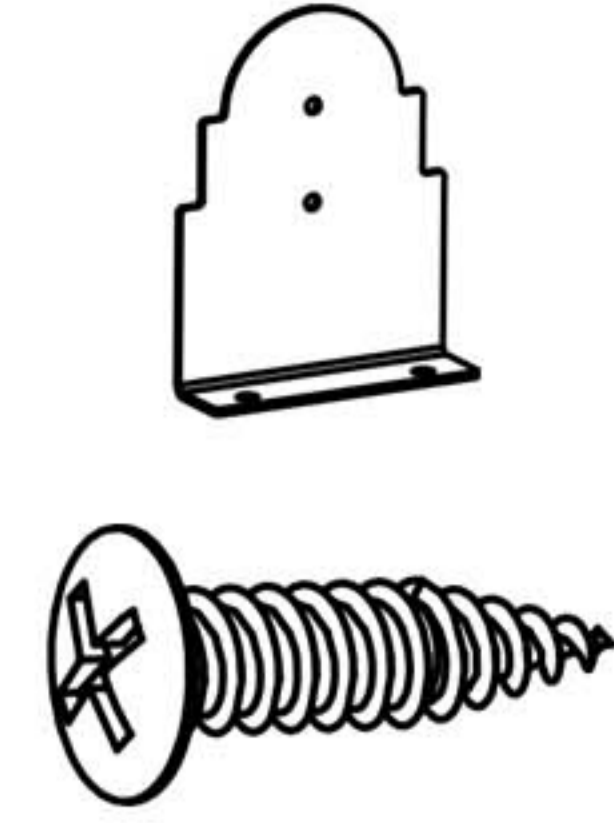
E-mail: cs.helper01@gmail.com

STEP 1

Parts required



A 4pcs

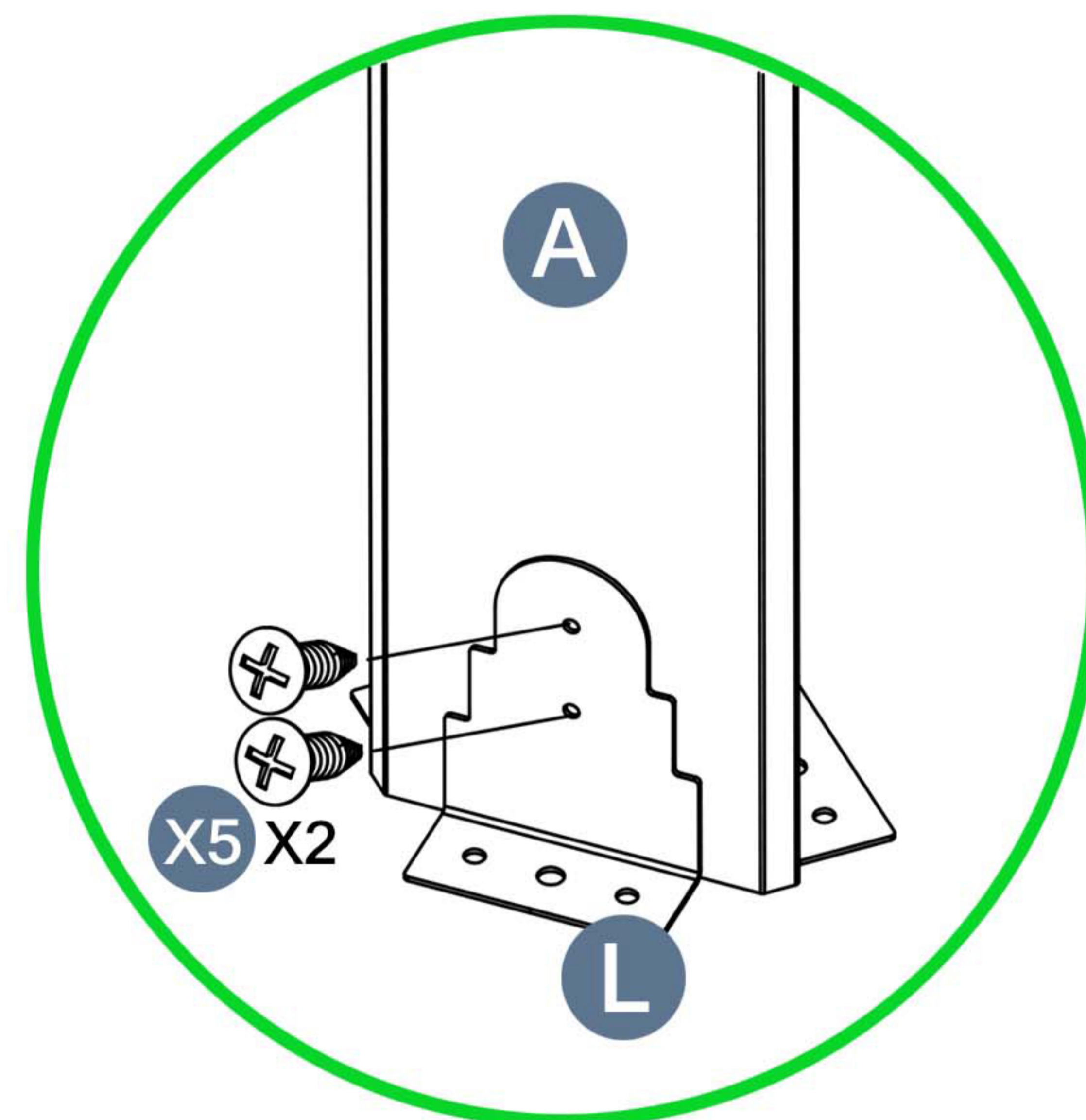
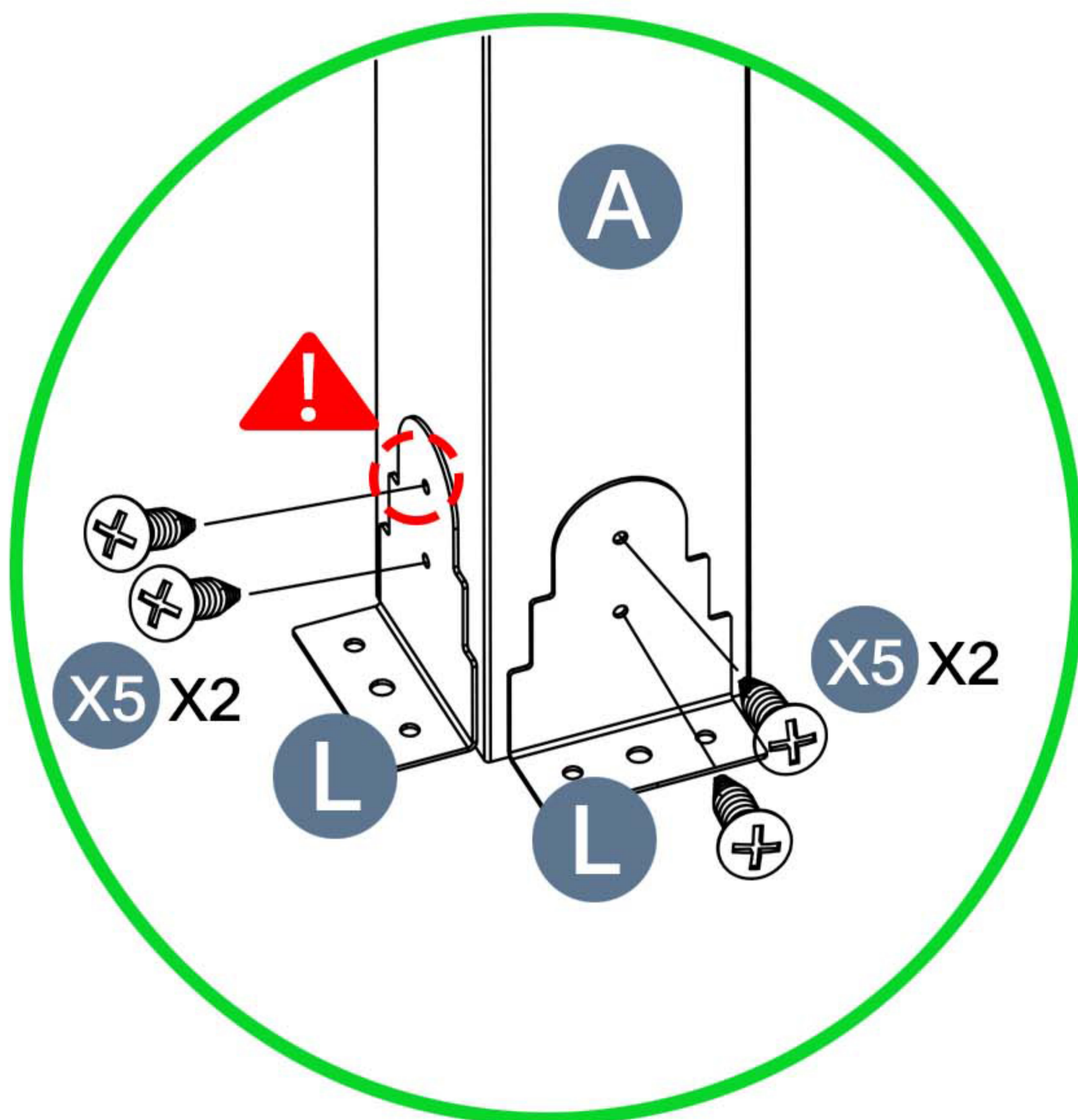
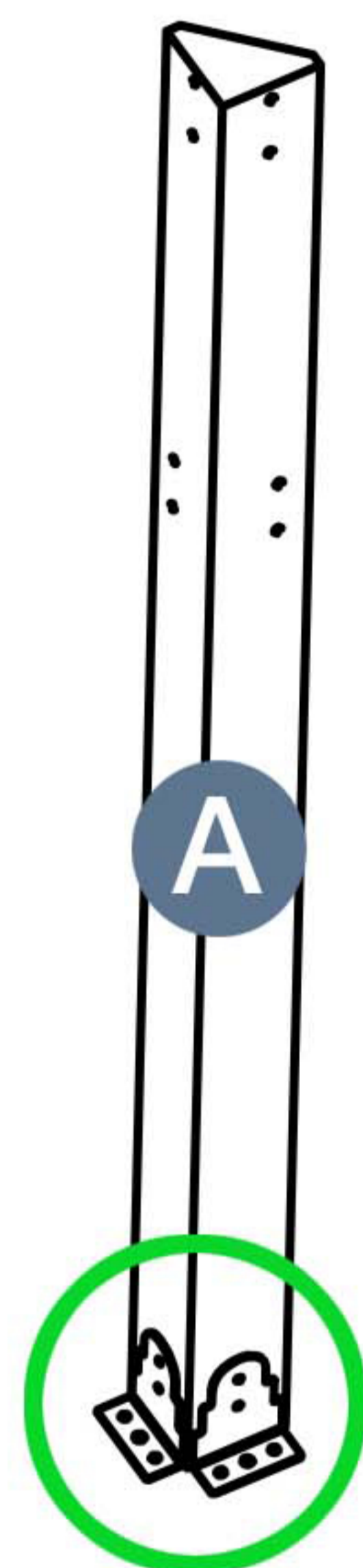
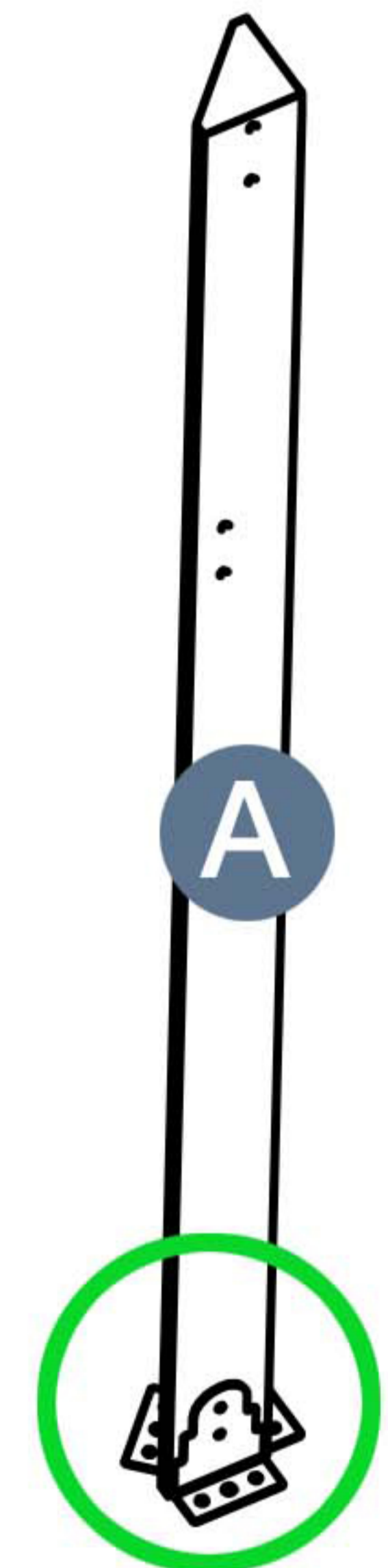
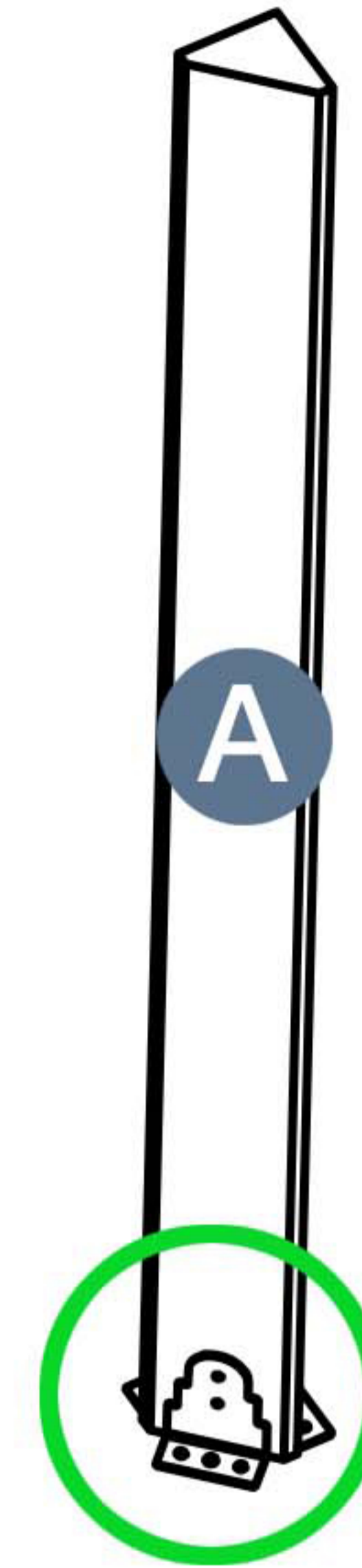
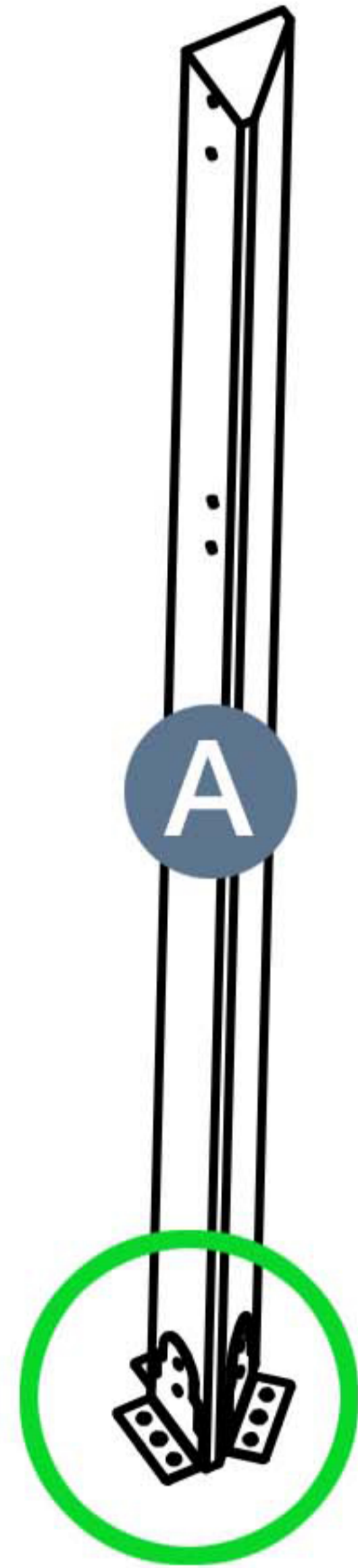


L 12pcs

X5 24pcs



Please Note that the X5 circled in red is a self-tapping nail without hole, it can be directly tightened.



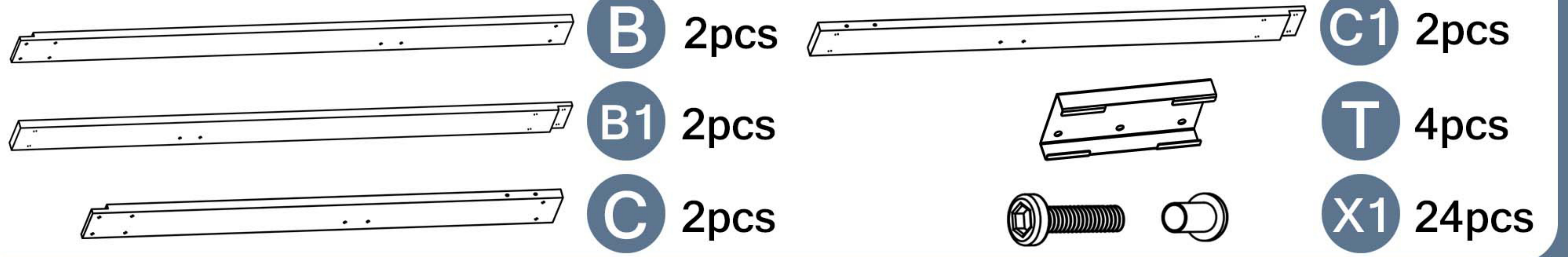
Please take care of the screws and contact the after-sales service if there is any problem with the installation or parts.



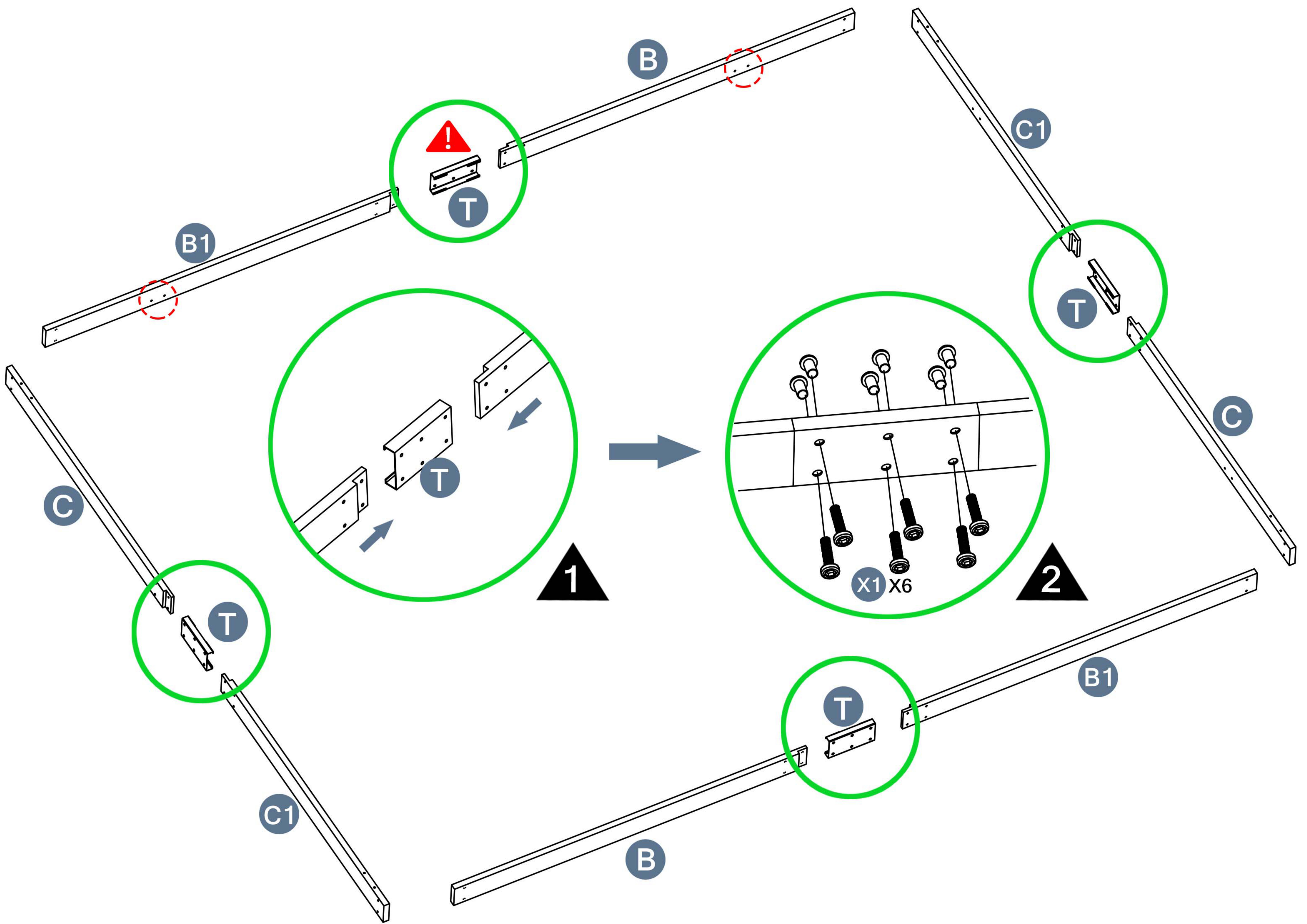
E-mail: cs.helper01@gmail.com

STEP 2

Parts required



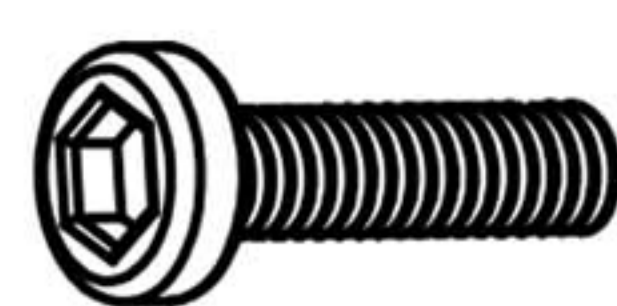
⚠️ Pay attention to the direction of the hole and T.




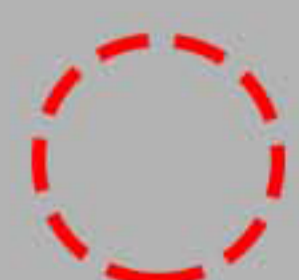
Please take care of the screws and contact the after-sales service if there is any problem with the installation or parts.

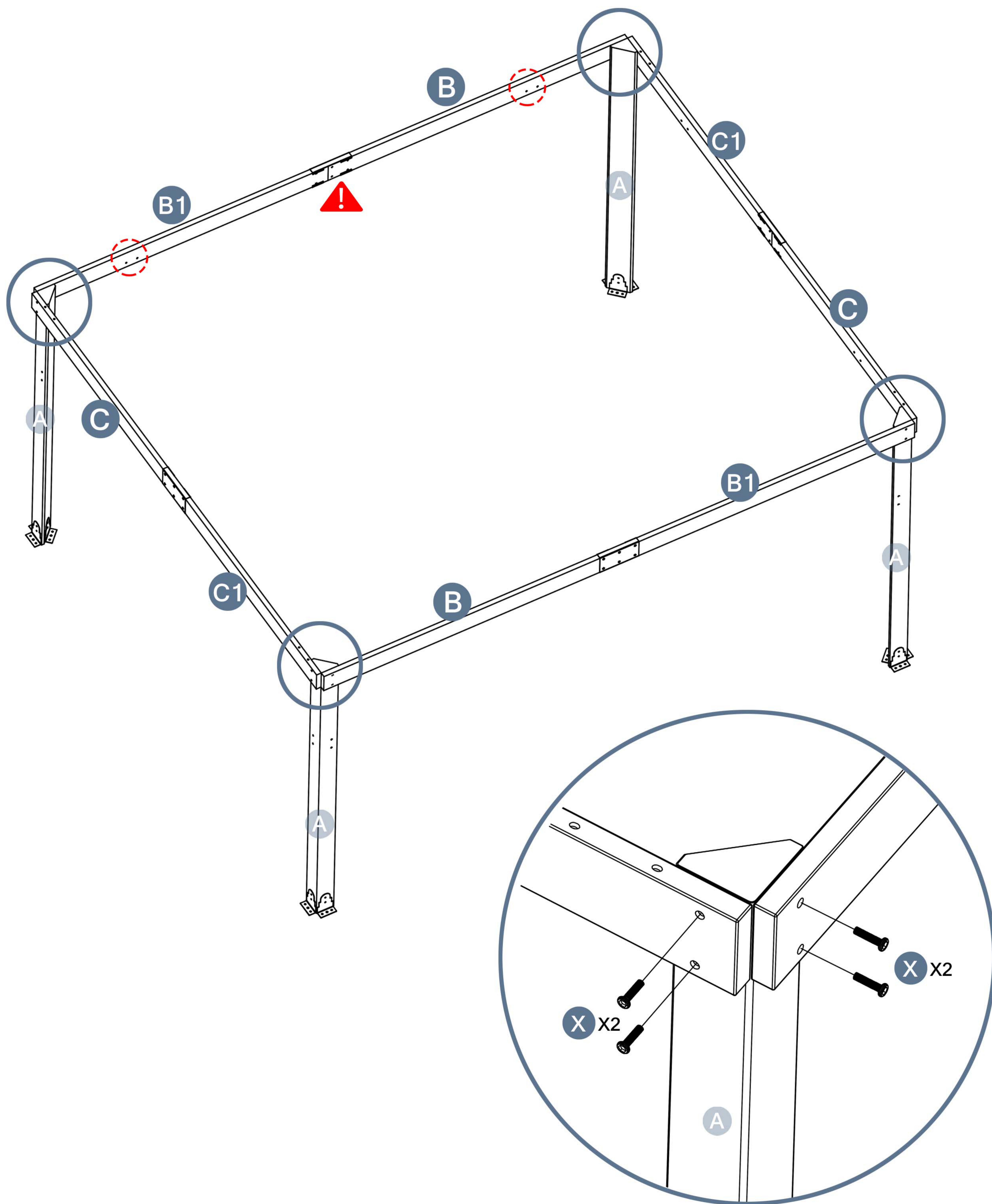
STEP 3

Parts required



X 16pcs

  When installing, please check again whether the crossbeam is installed incorrectly.



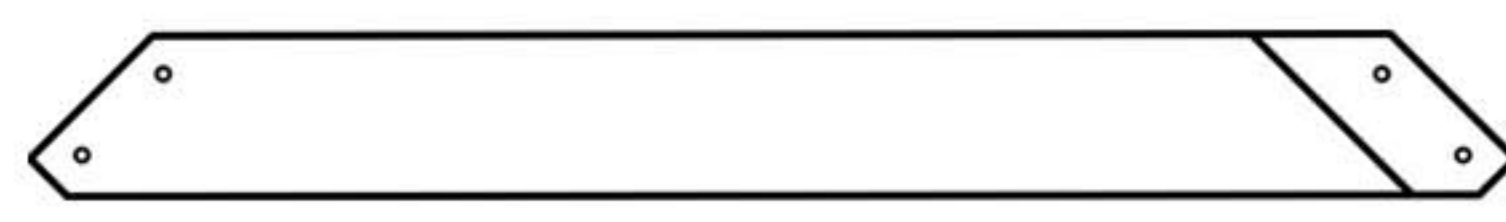
Please take care of the screws and contact the after-sales service if there is any problem with the installation or parts.



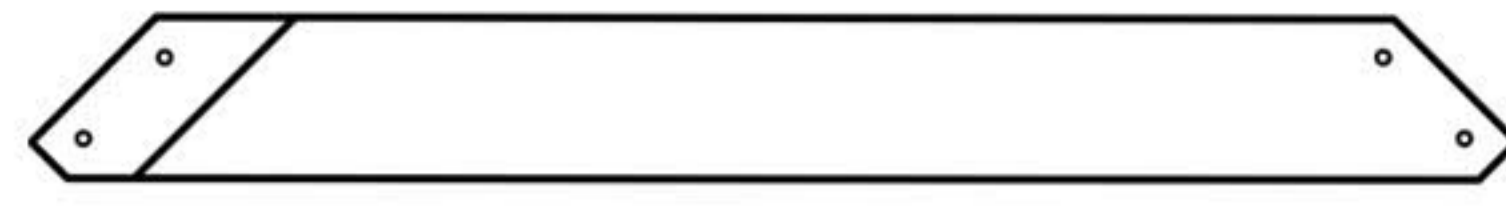
E-mail: cs.helper01@gmail.com

STEP 4

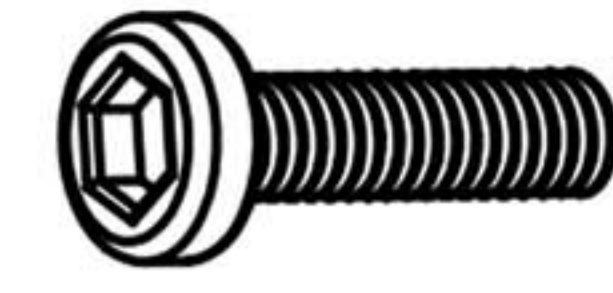
Parts required



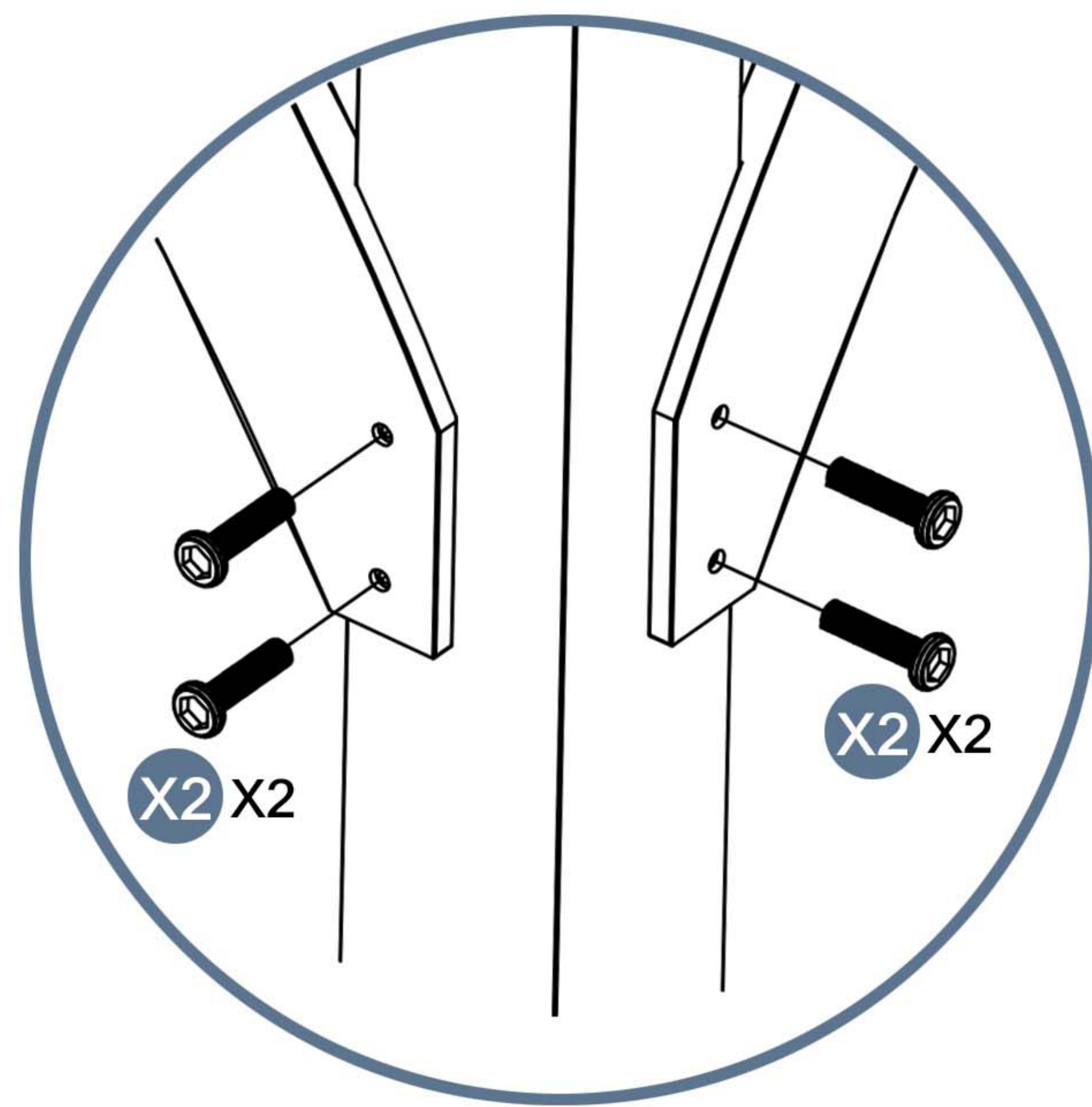
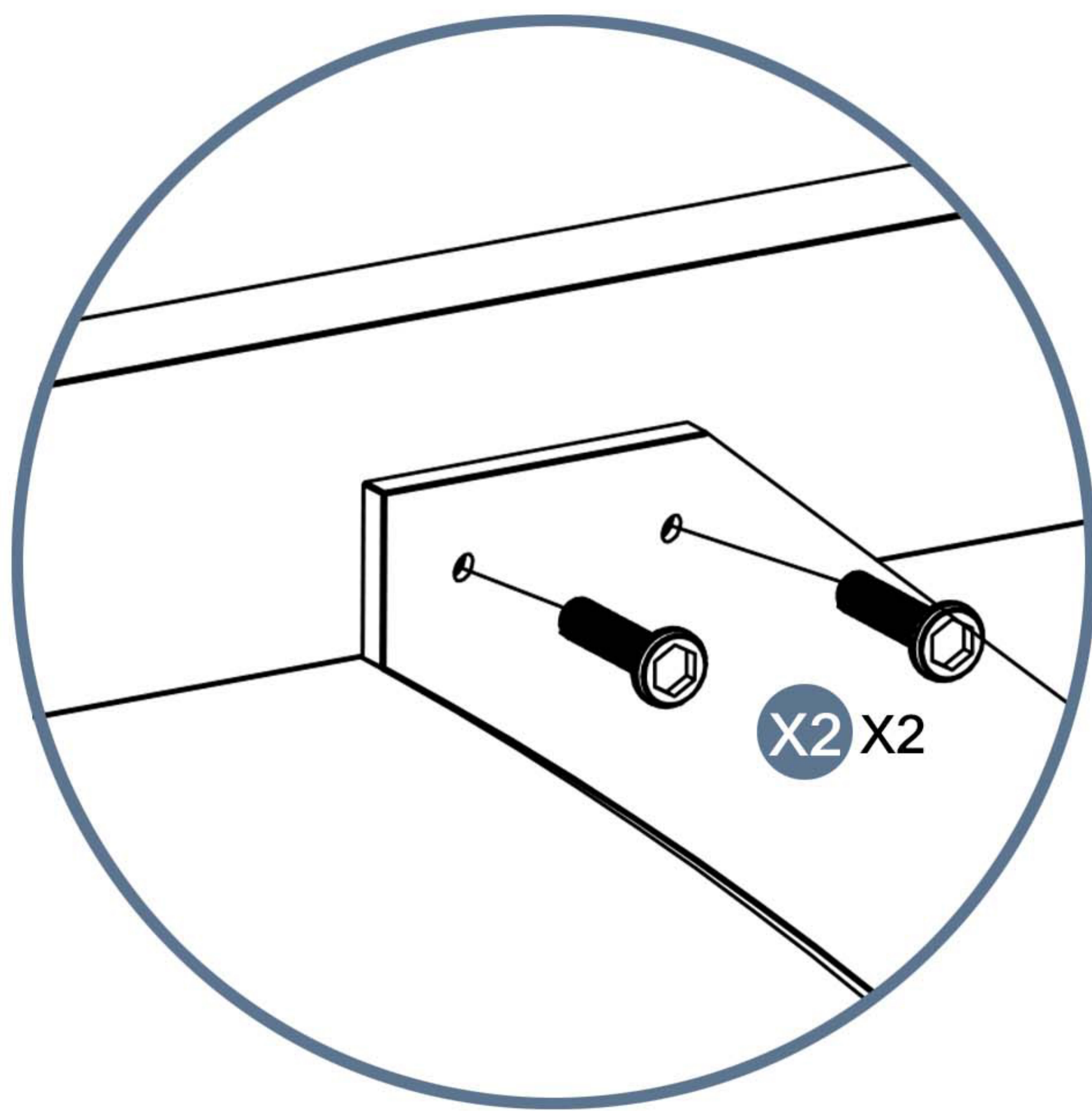
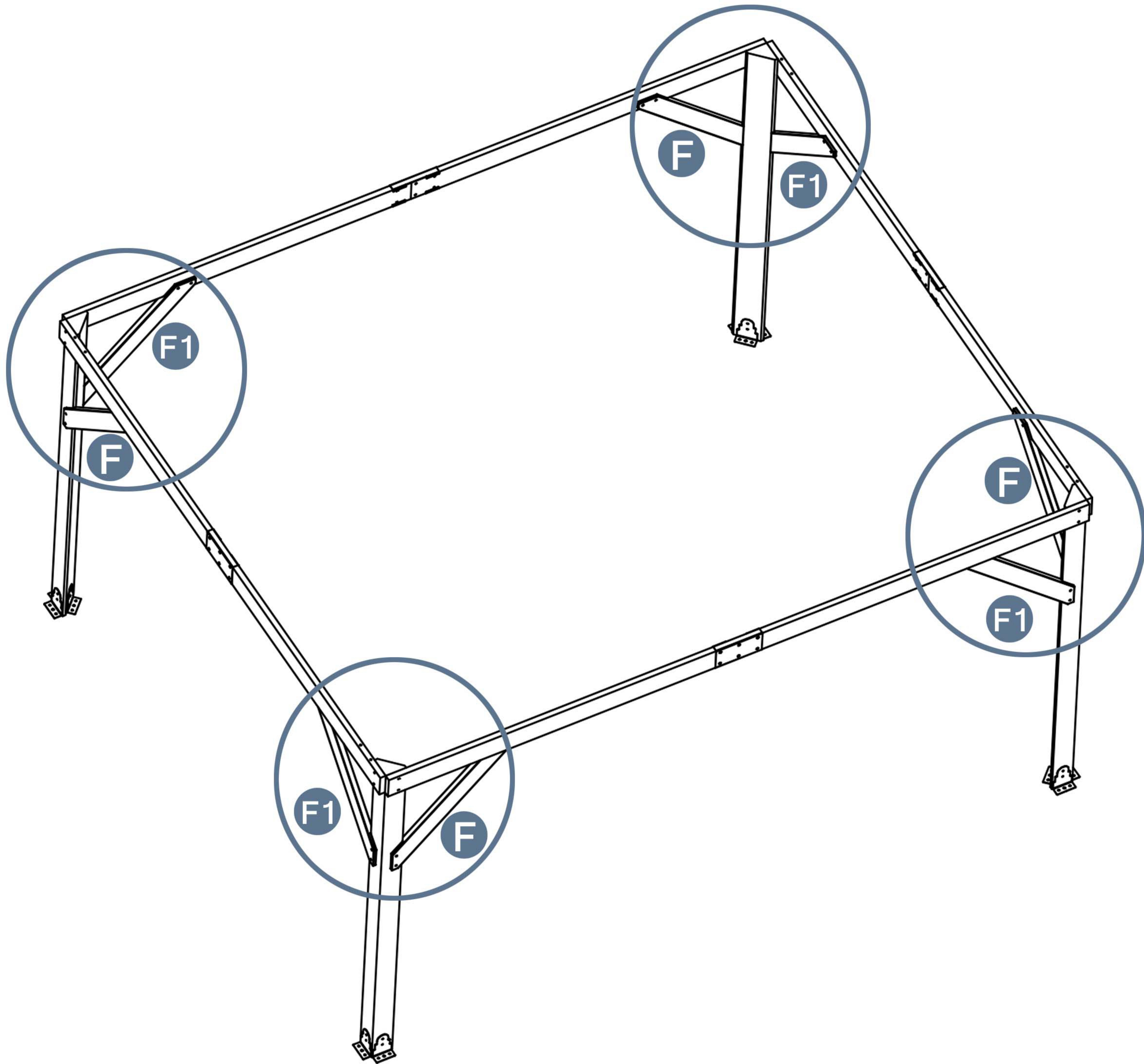
F 4pcs



F1 4pcs



X2 32pcs



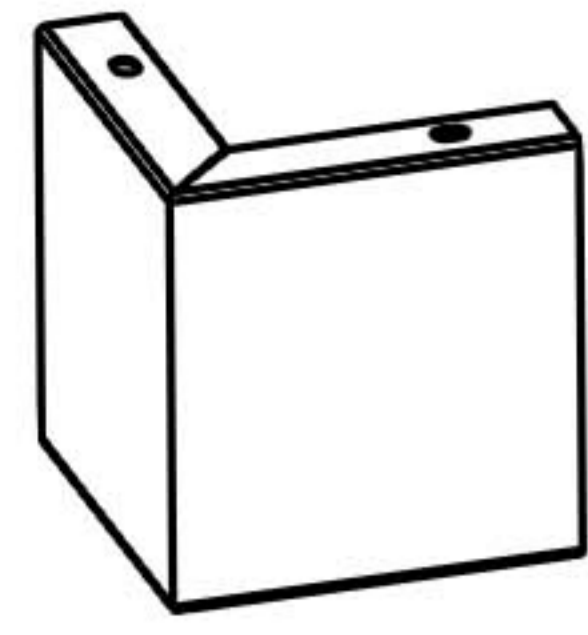
Please take care of the screws and contact the after-sales service if there is any problem with the installation or parts.



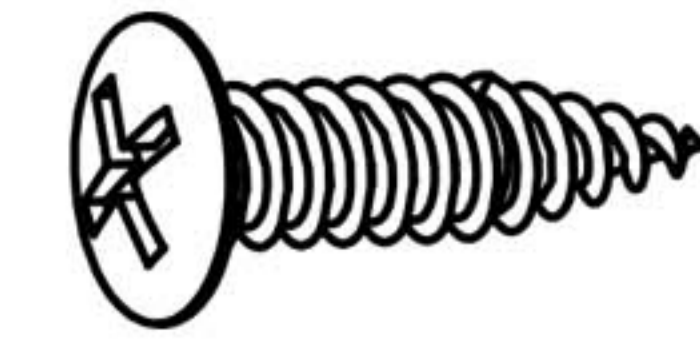
E-mail: cs.helper01@gmail.com

STEP 5

Parts required



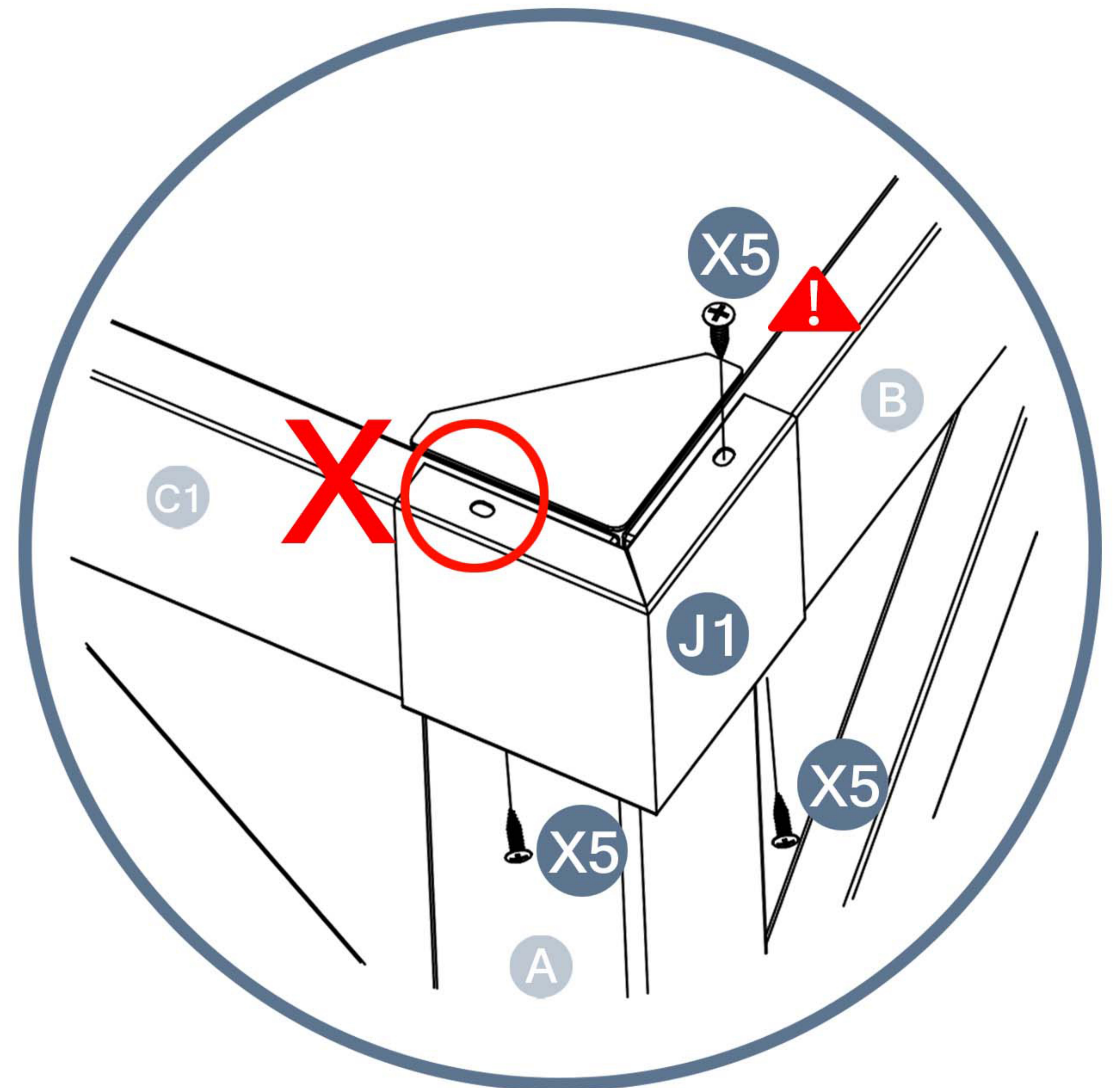
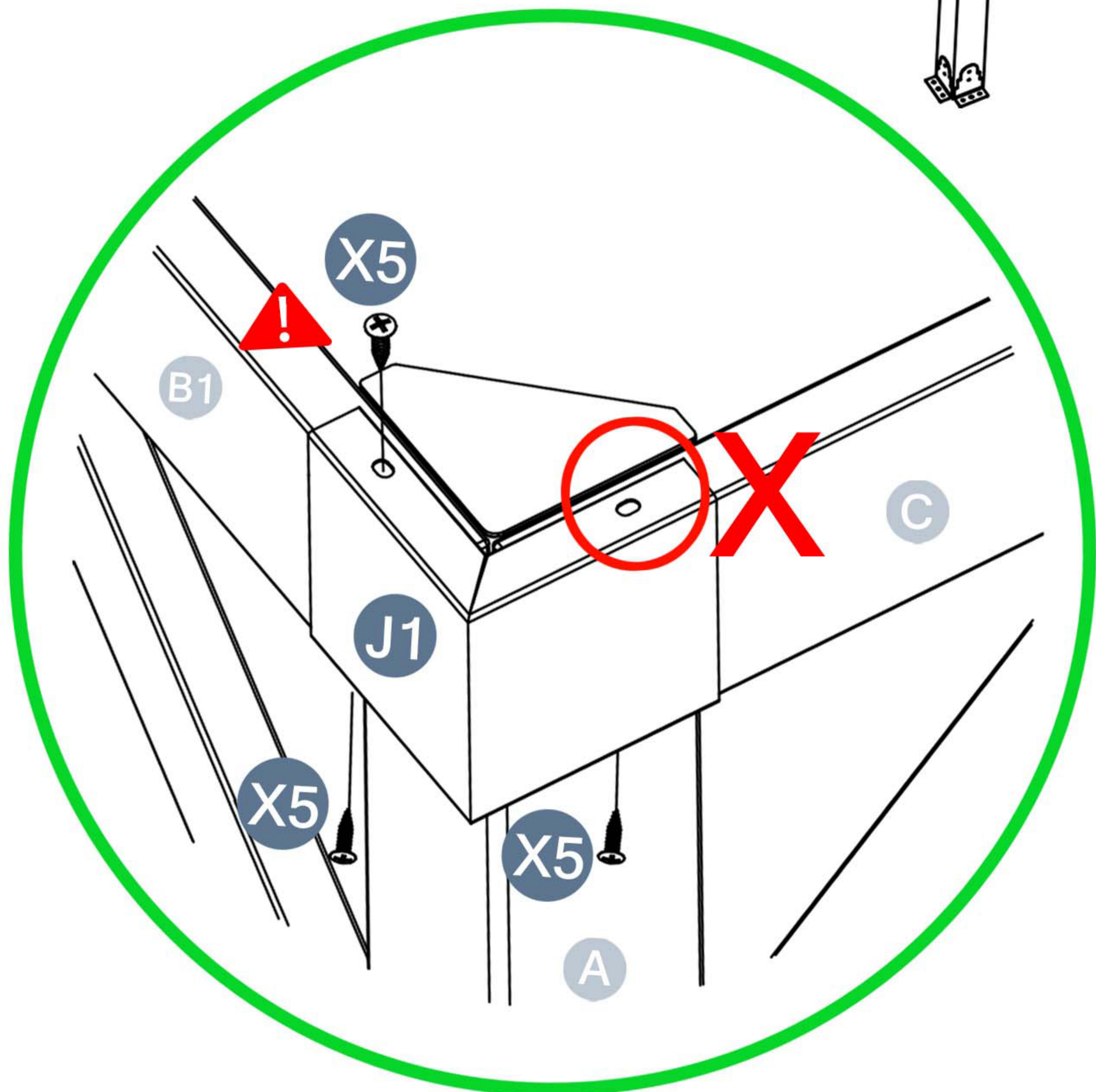
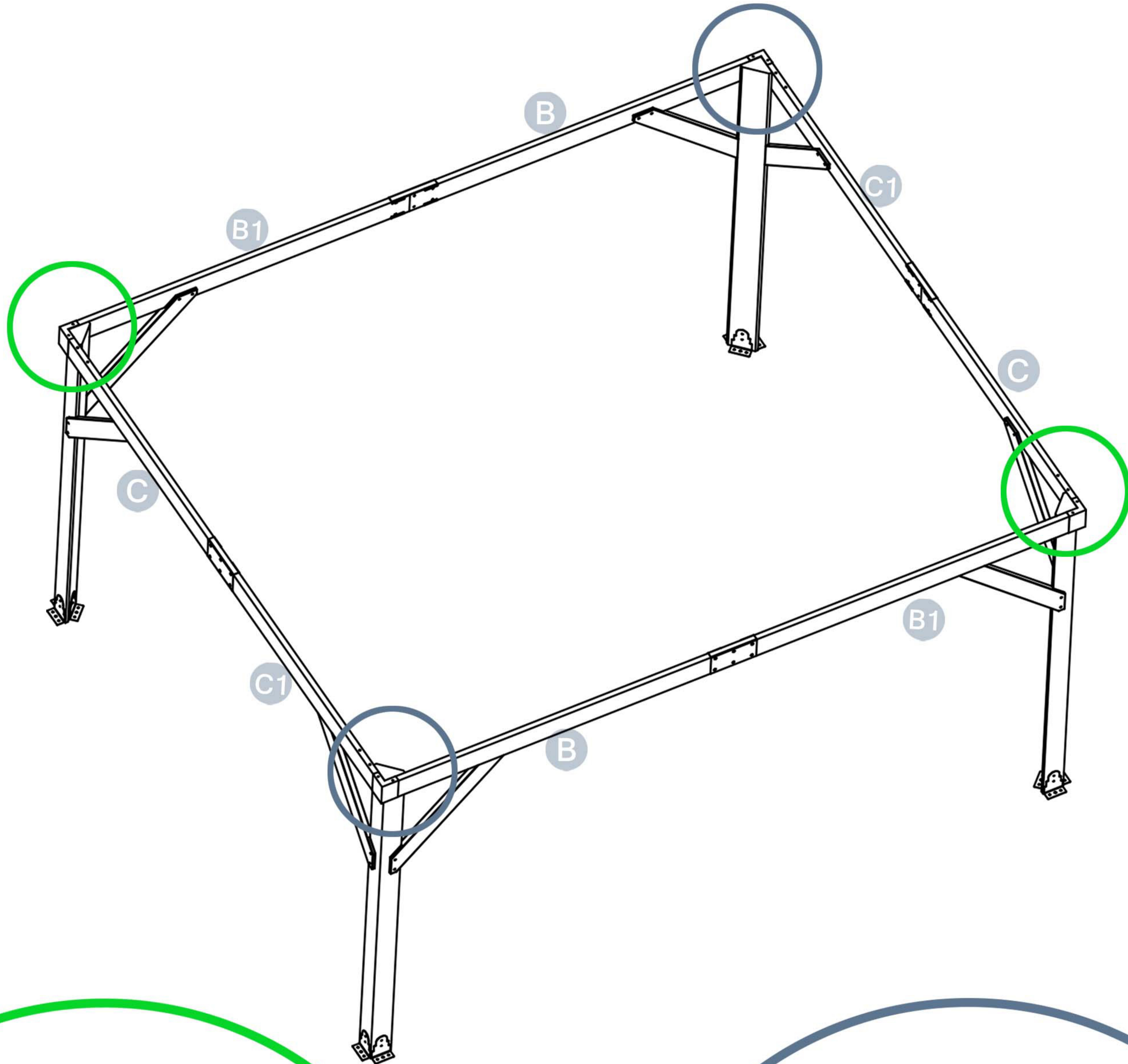
J1 4pcs



X5 12pcs

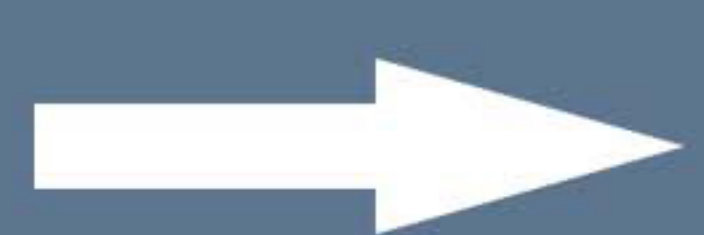


Please Note that the X5 circled in red is a self-tapping nail without hole, it can be directly tightened.



X Don't install screws

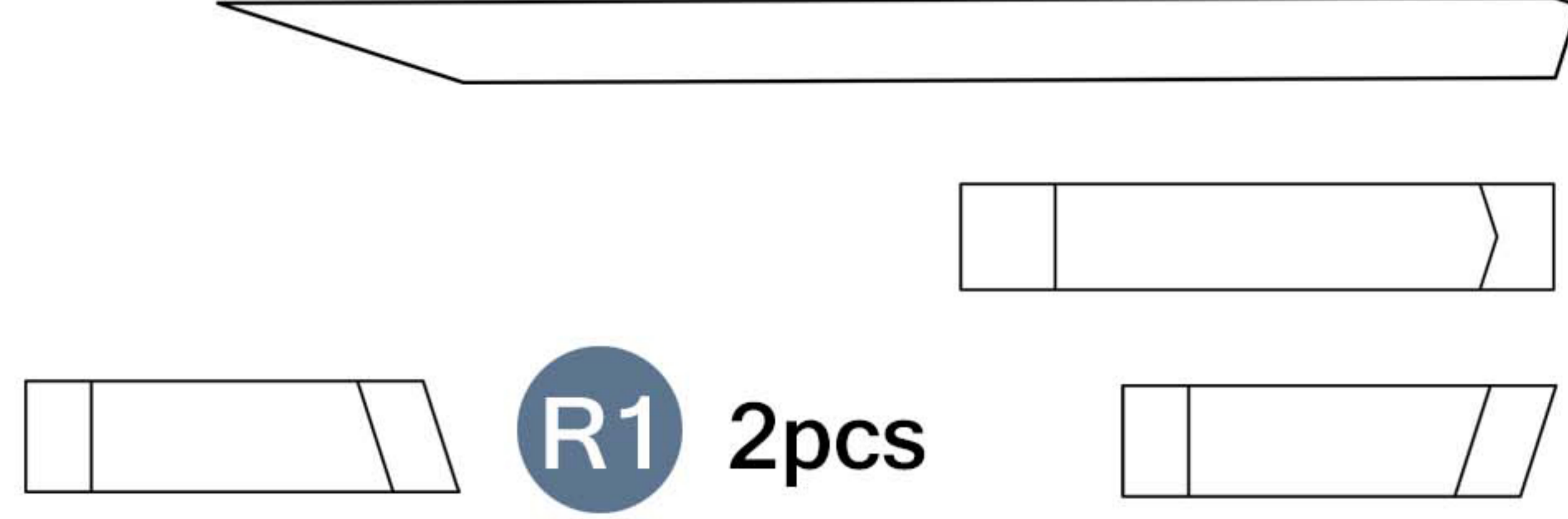
Please take care of the screws and contact the after-sales service if there is any problem with the installation or parts.



E-mail: cs.helper01@gmail.com

STEP 6

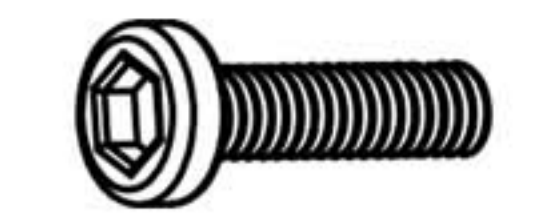
Parts required



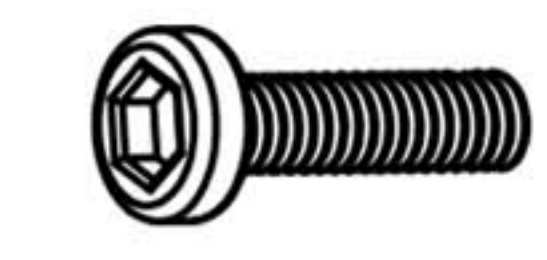
E 4pcs

R 2pcs

R2 2pcs



XX 4pcs

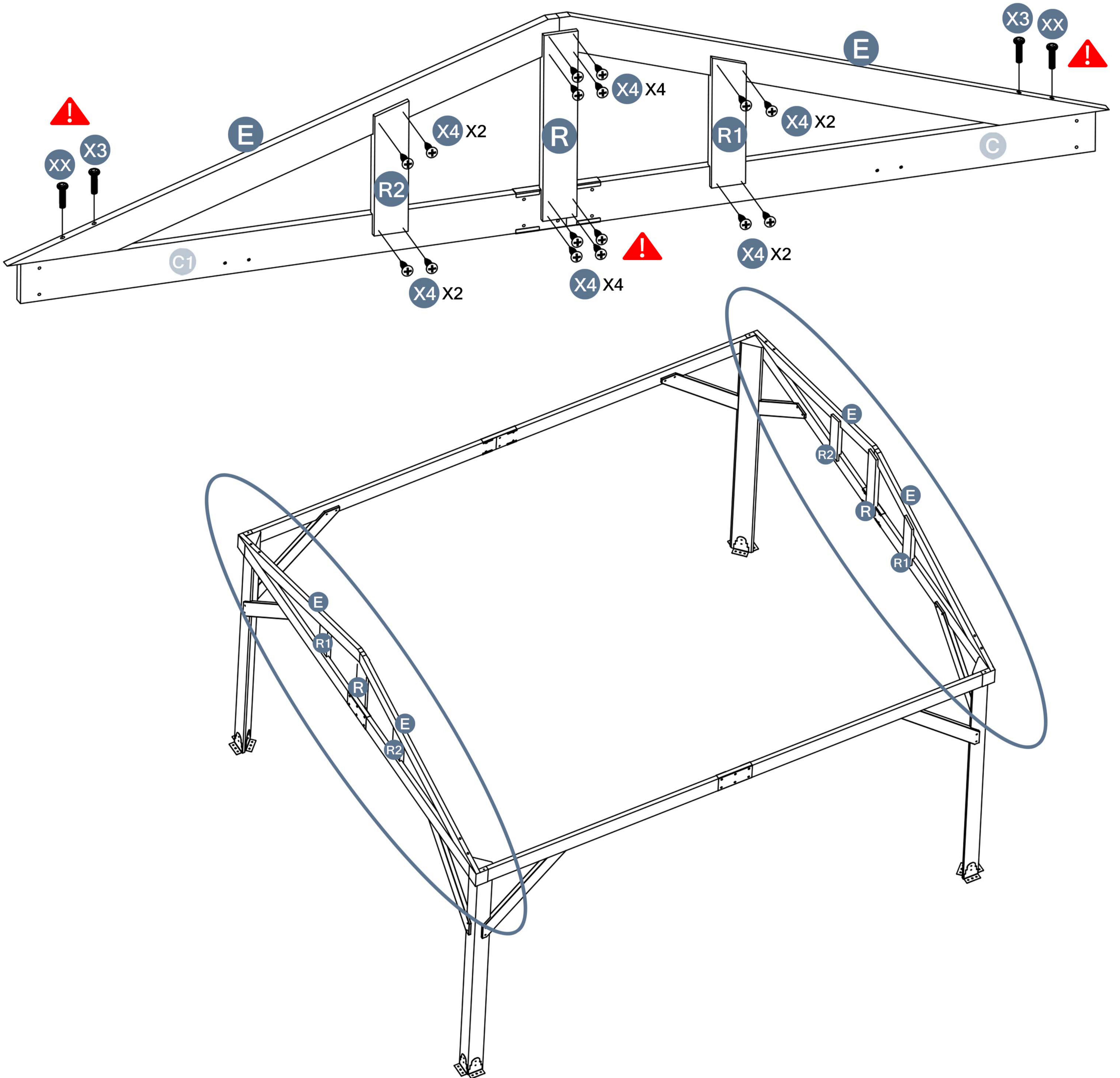


X3 4pcs



X4 32pcs

! Pay attention to the types of screws.

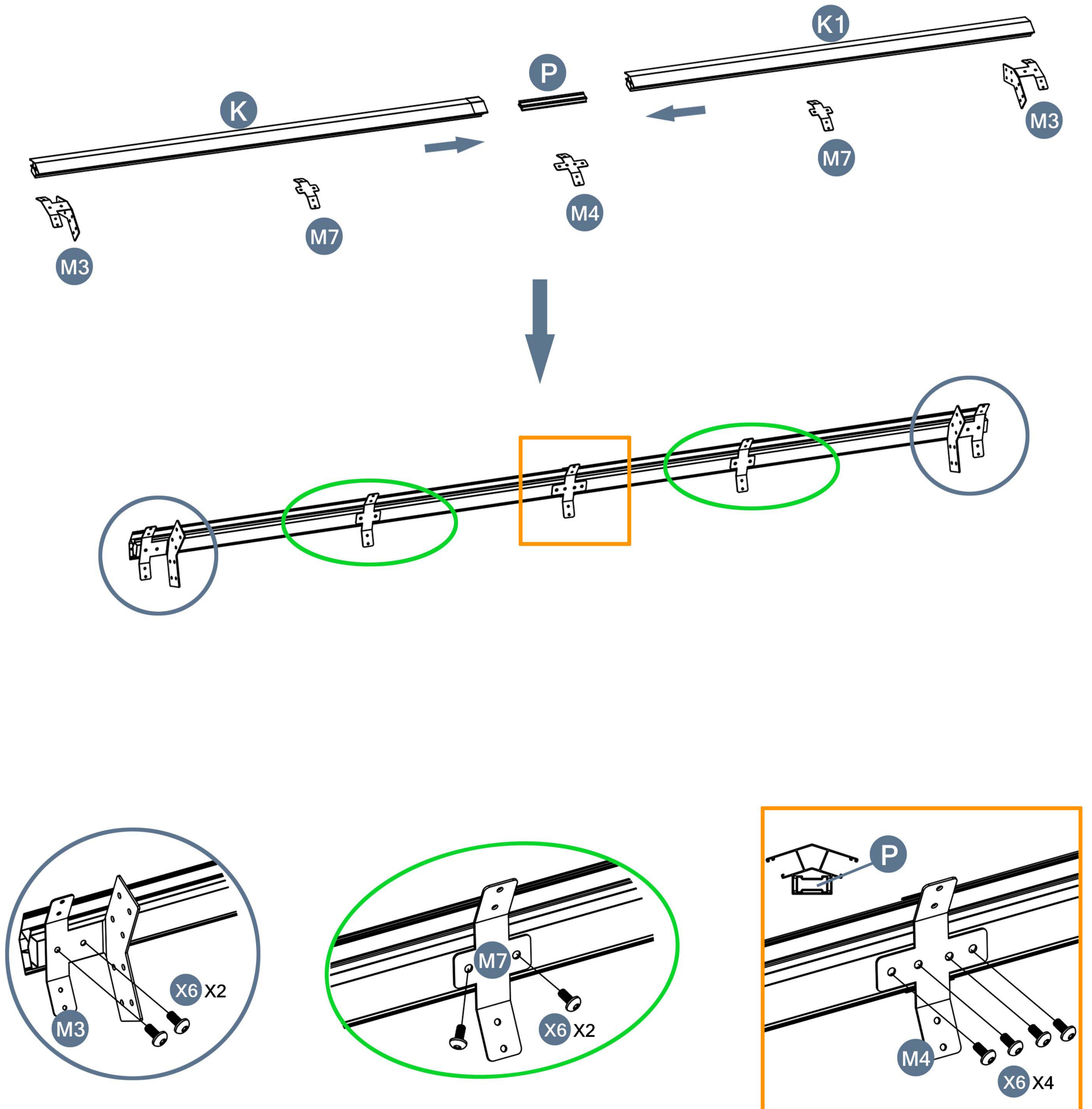
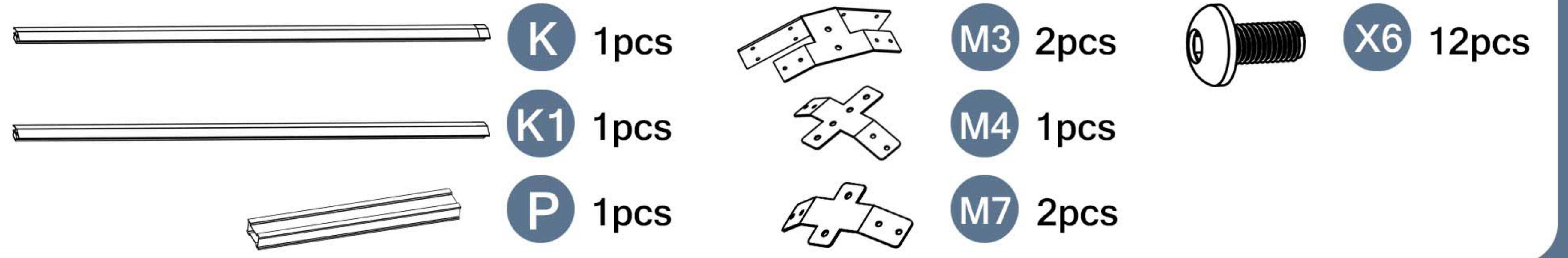


Please take care of the screws and contact the after-sales service if there is any problem with the installation or parts.



STEP 7

Parts required

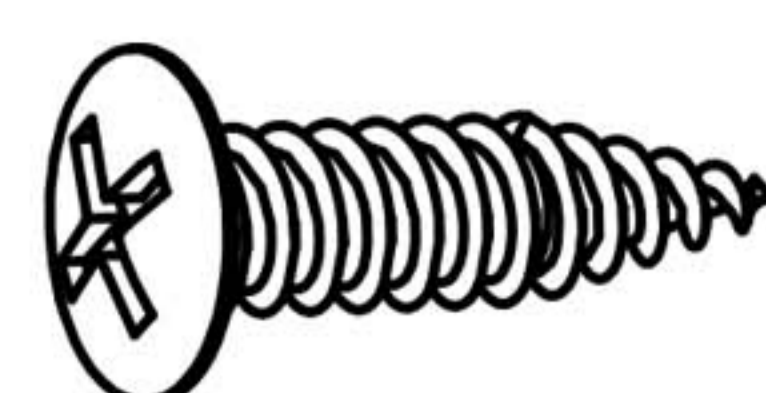


Please take care of the screws and contact the after-sales service if there is any problem with the installation or parts.

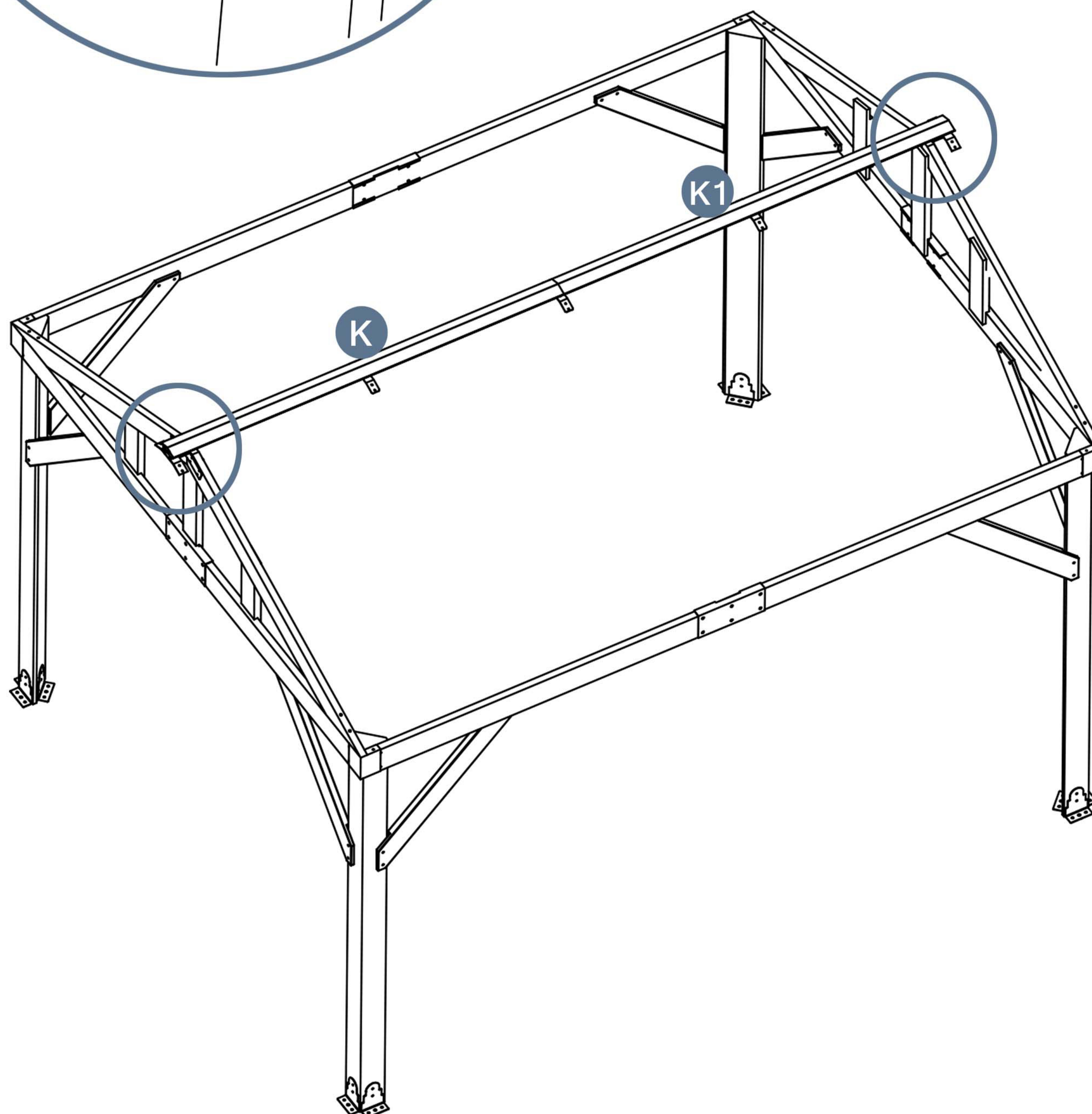
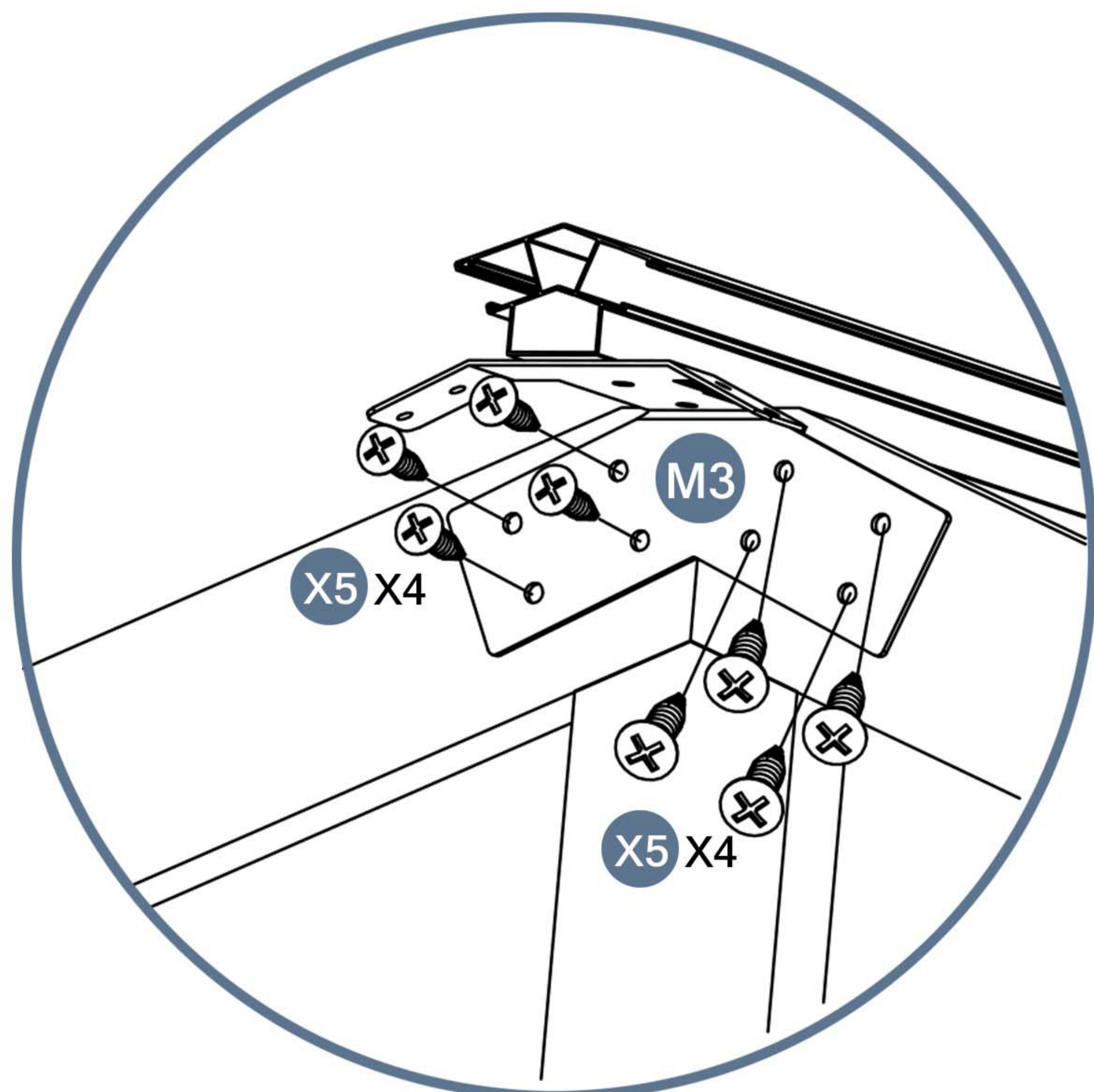
➔ ✉ E-mail: cs.helper01@gmail.com

STEP 8

Parts required



X5 16pcs



Please take care of the screws and contact the after-sales service if there is any problem with the installation or parts.



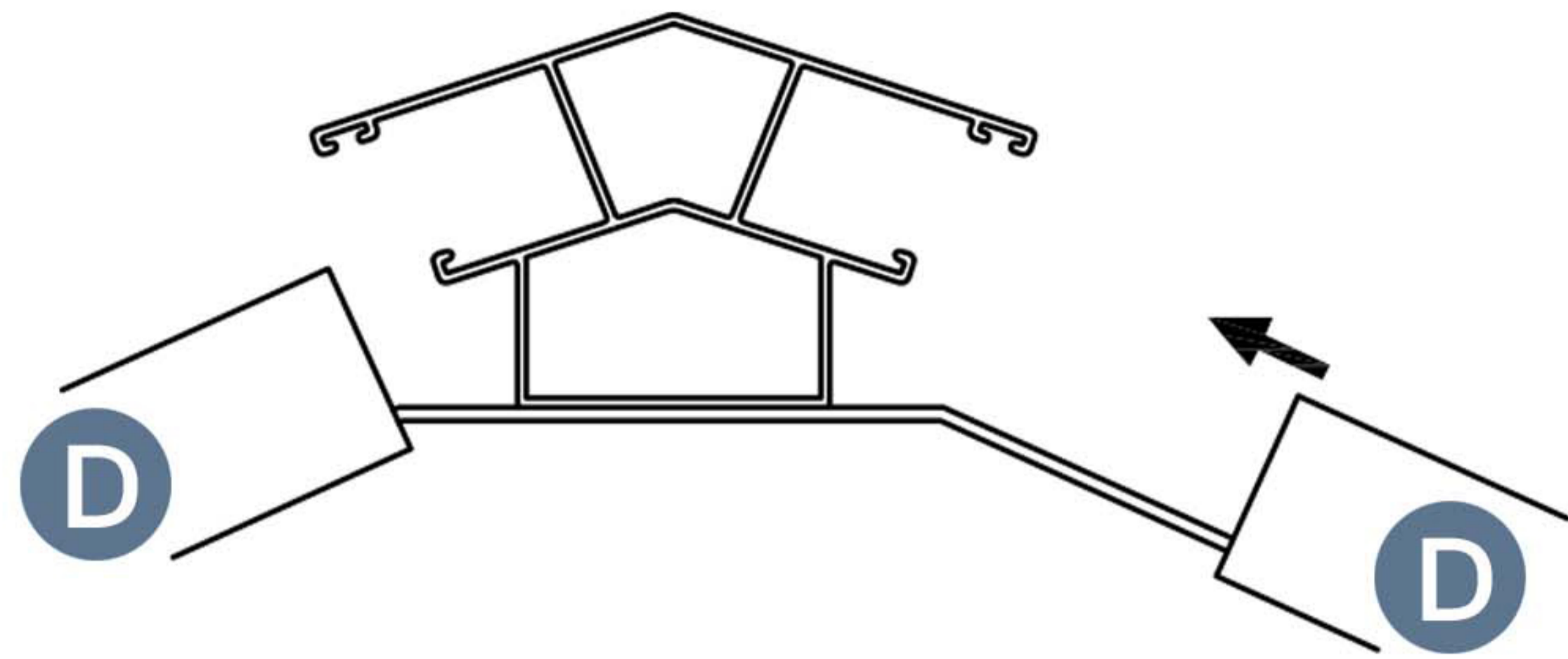
E-mail: cs.helper01@gmail.com

STEP 9

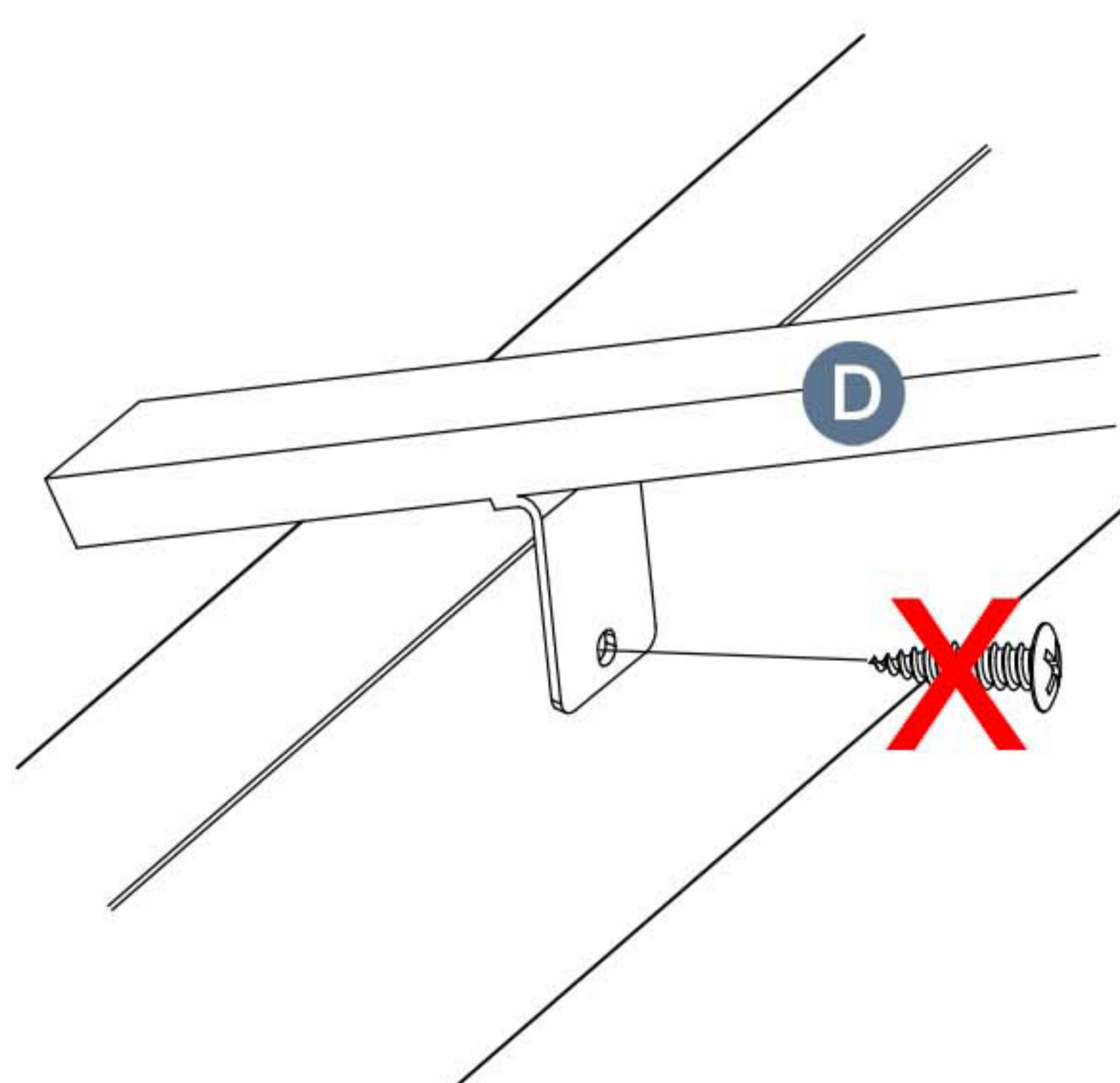
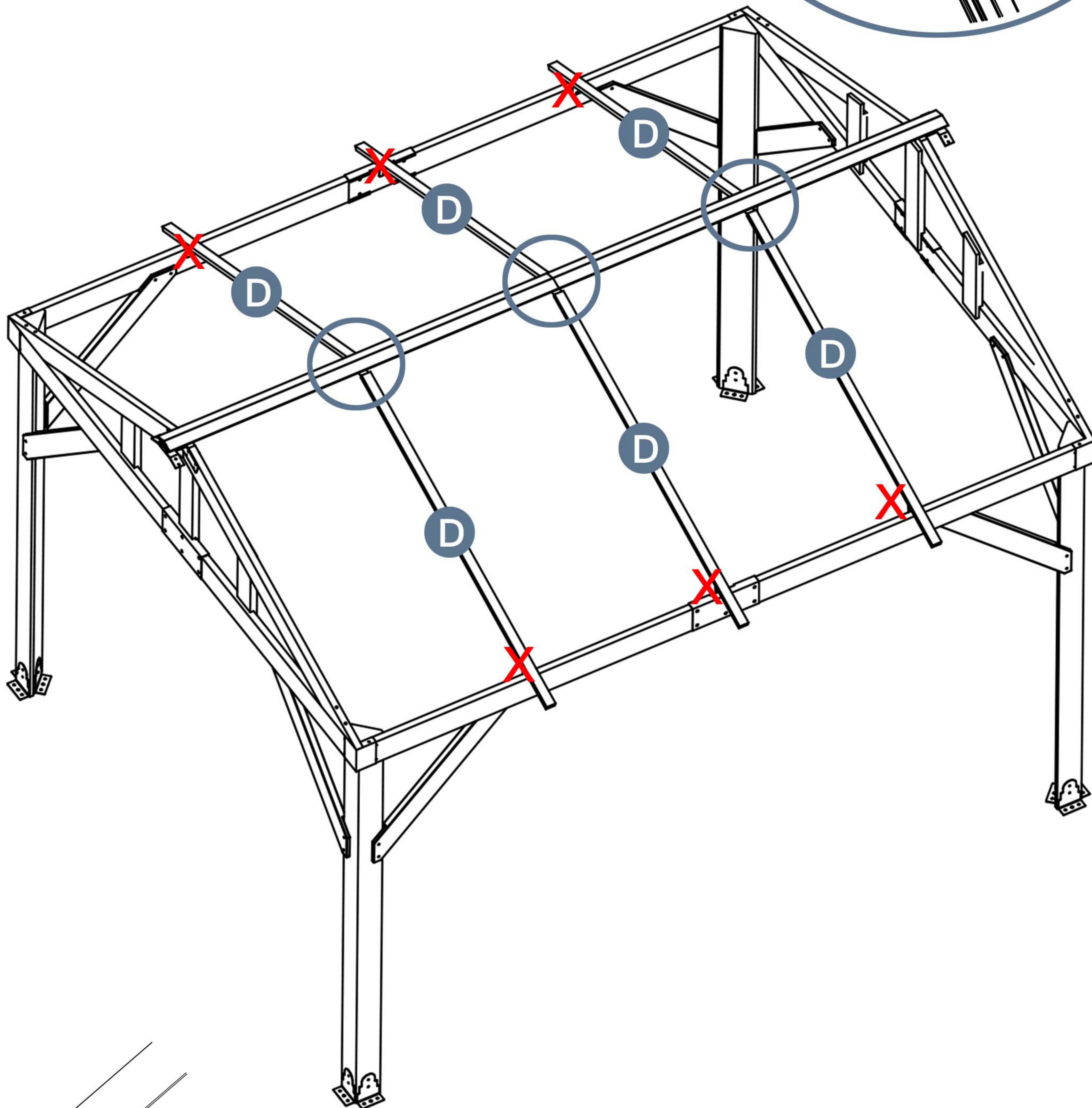
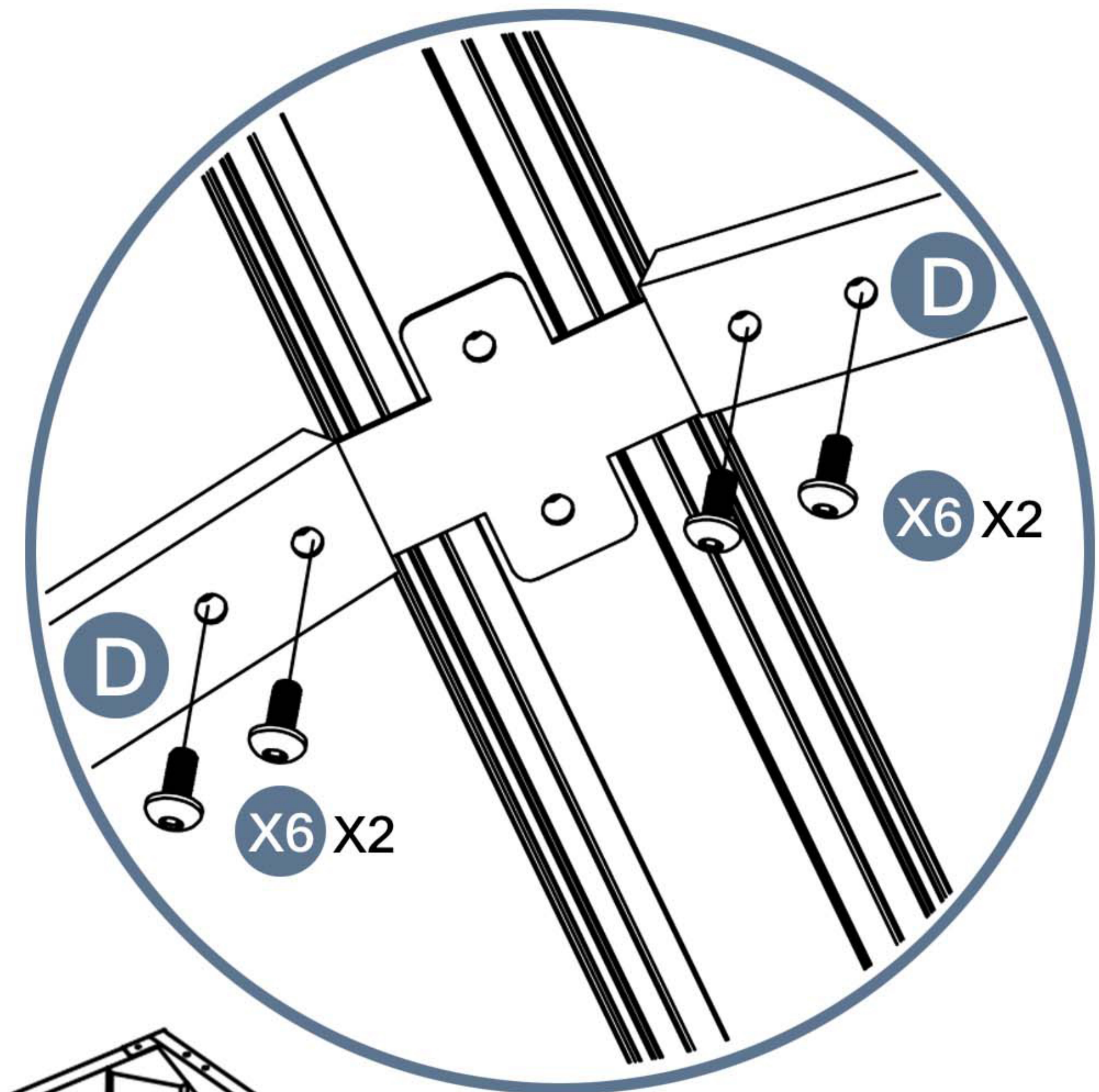
Parts required

 D 6pcs

 X6 12pcs



• Side view



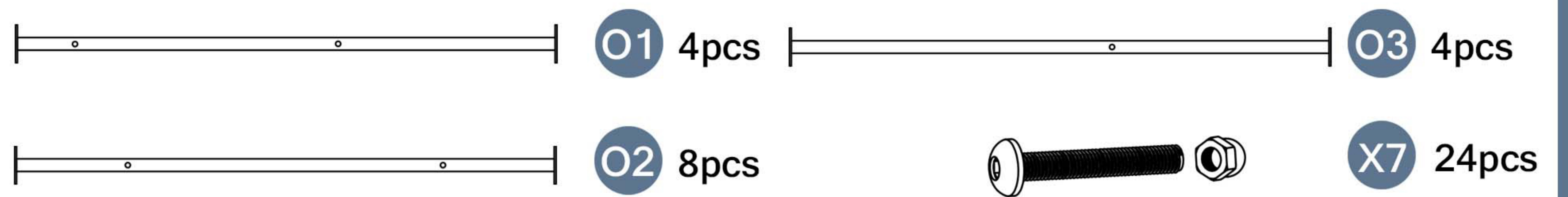
No screws will be installed in this step for the time being. Step 18 will be installed again.

Please take care of the screws and contact the after-sales service if there is any problem with the installation or parts.

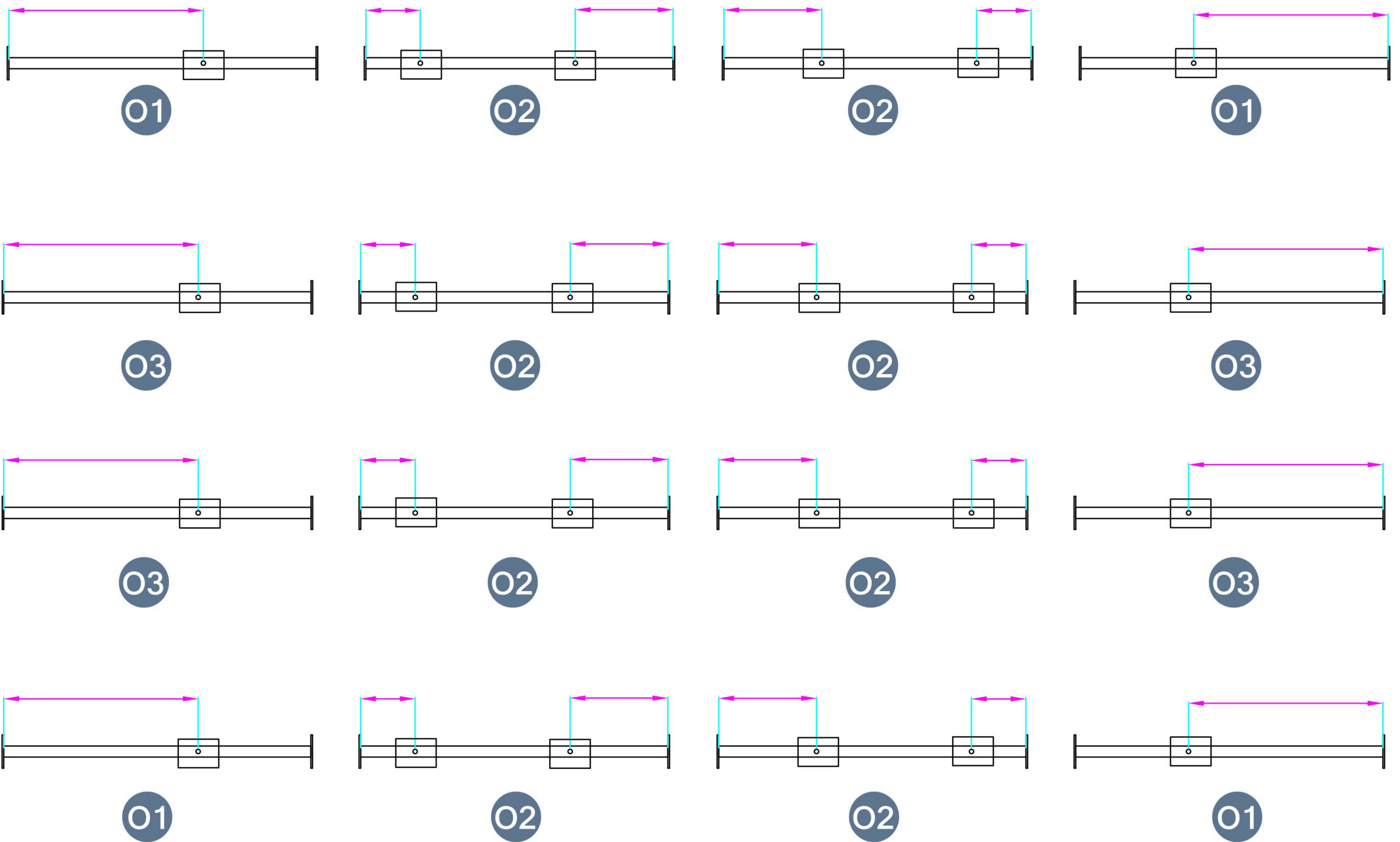
➔  E-mail: cs.helper01@gmail.com

STEP 10

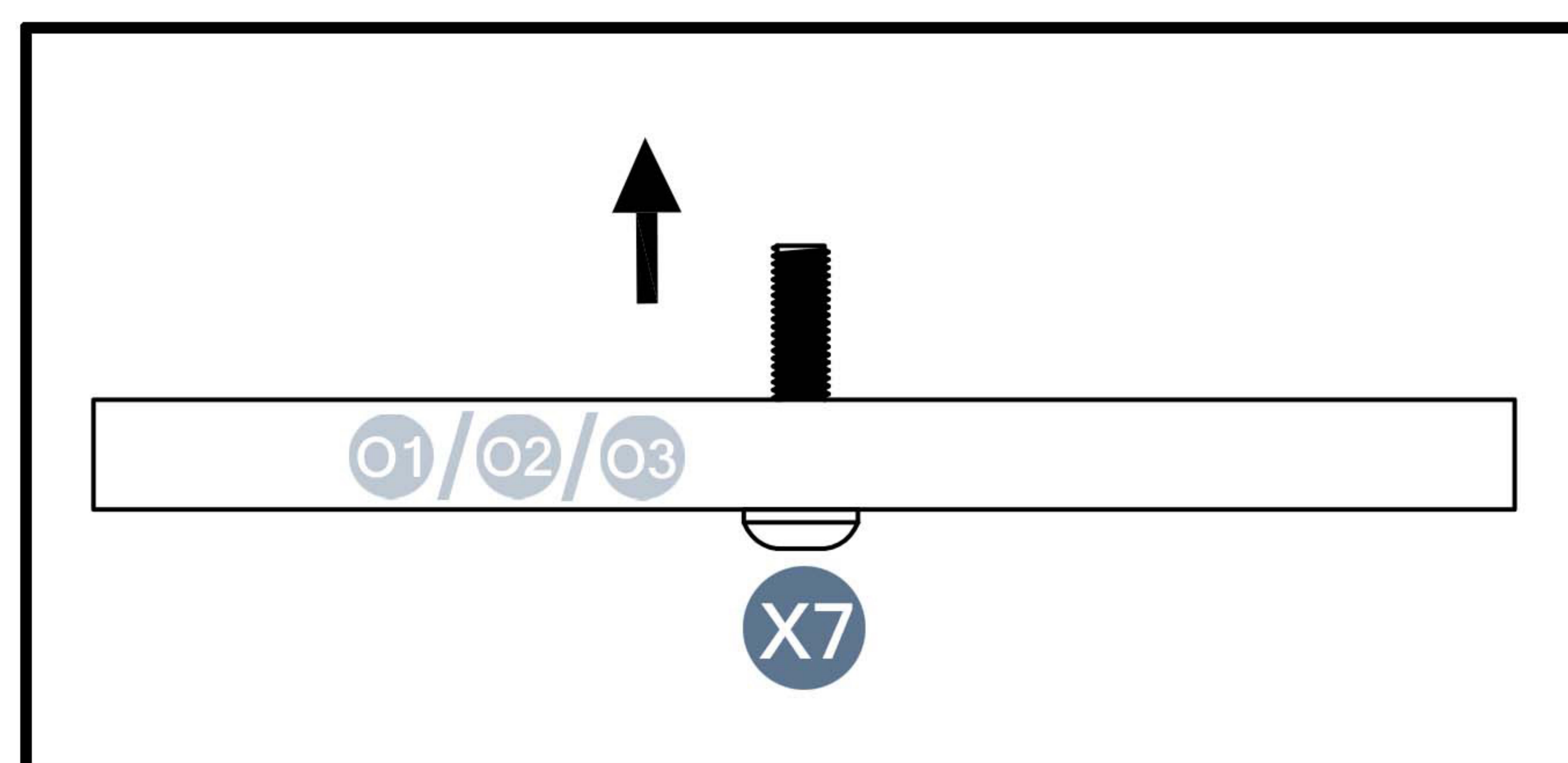
Parts required



Only X7 screws are used in this step. Please store the X7 nuts. Steps 15 will be used.



!!! In order to prevent mistakes, you can first classify and place them on the ground as shown in the picture.

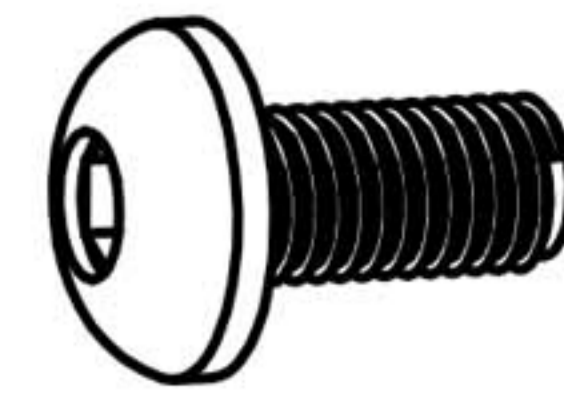


Please take care of the screws and contact the after-sales service if there is any problem with the installation or parts.

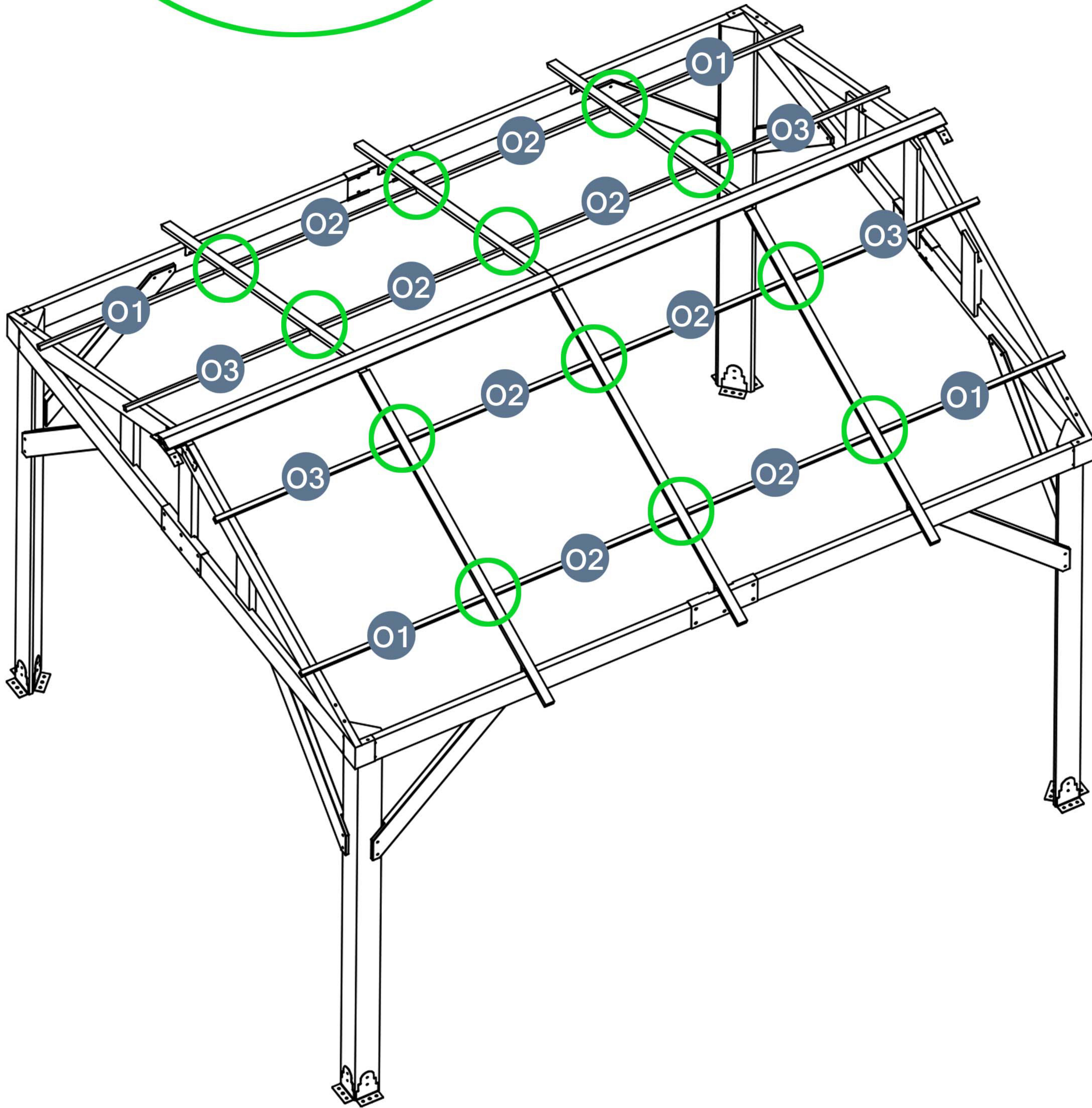
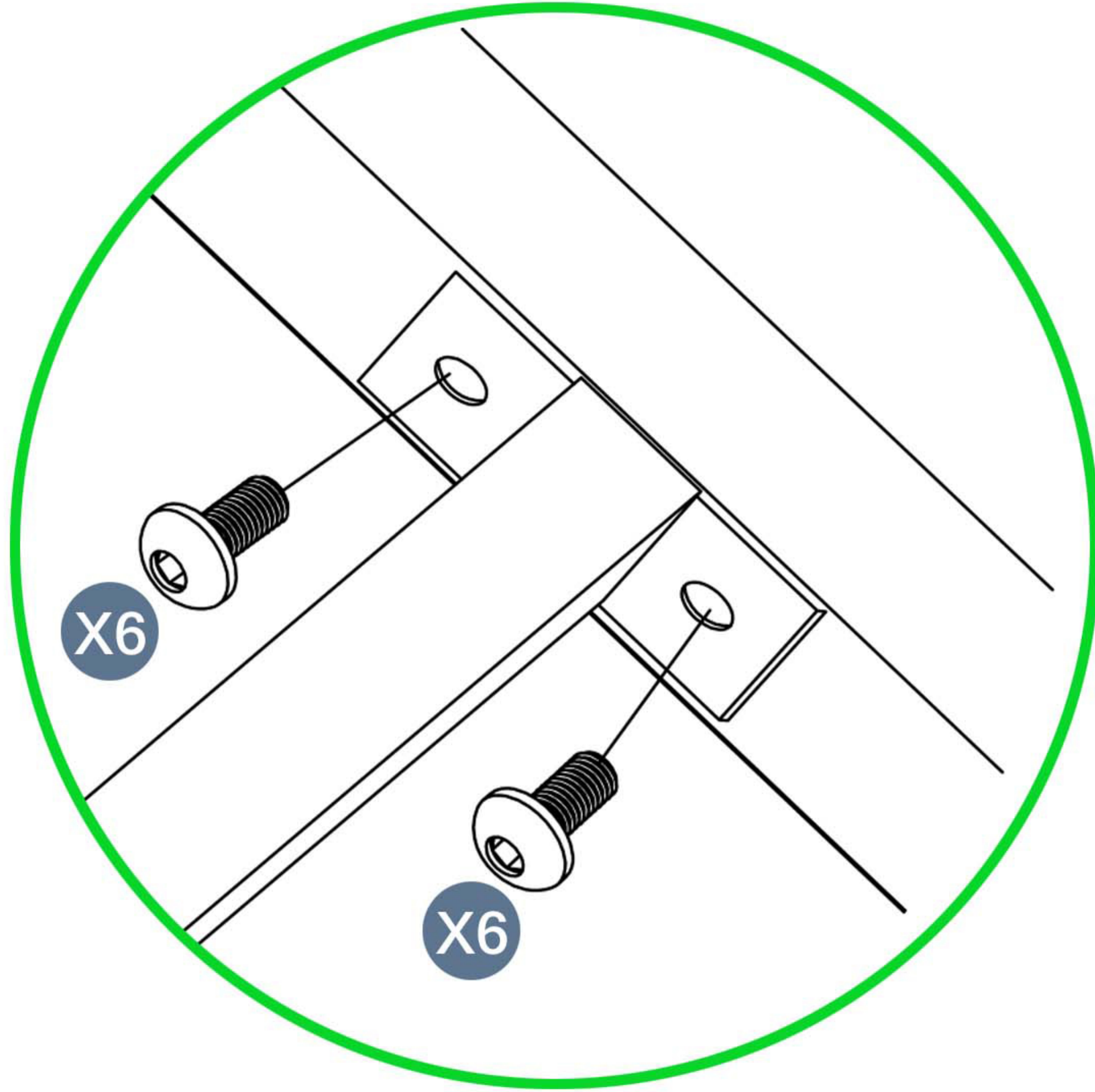
➔ ✉ E-mail: cs.helper01@gmail.com

STEP 11

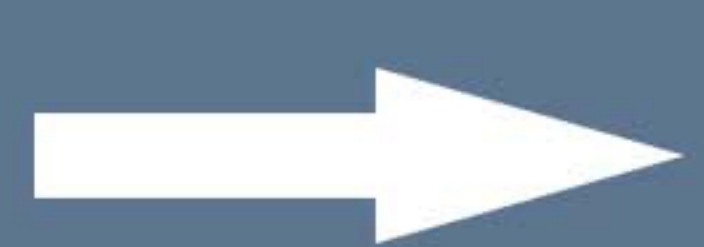
Parts required



X6 48pcs



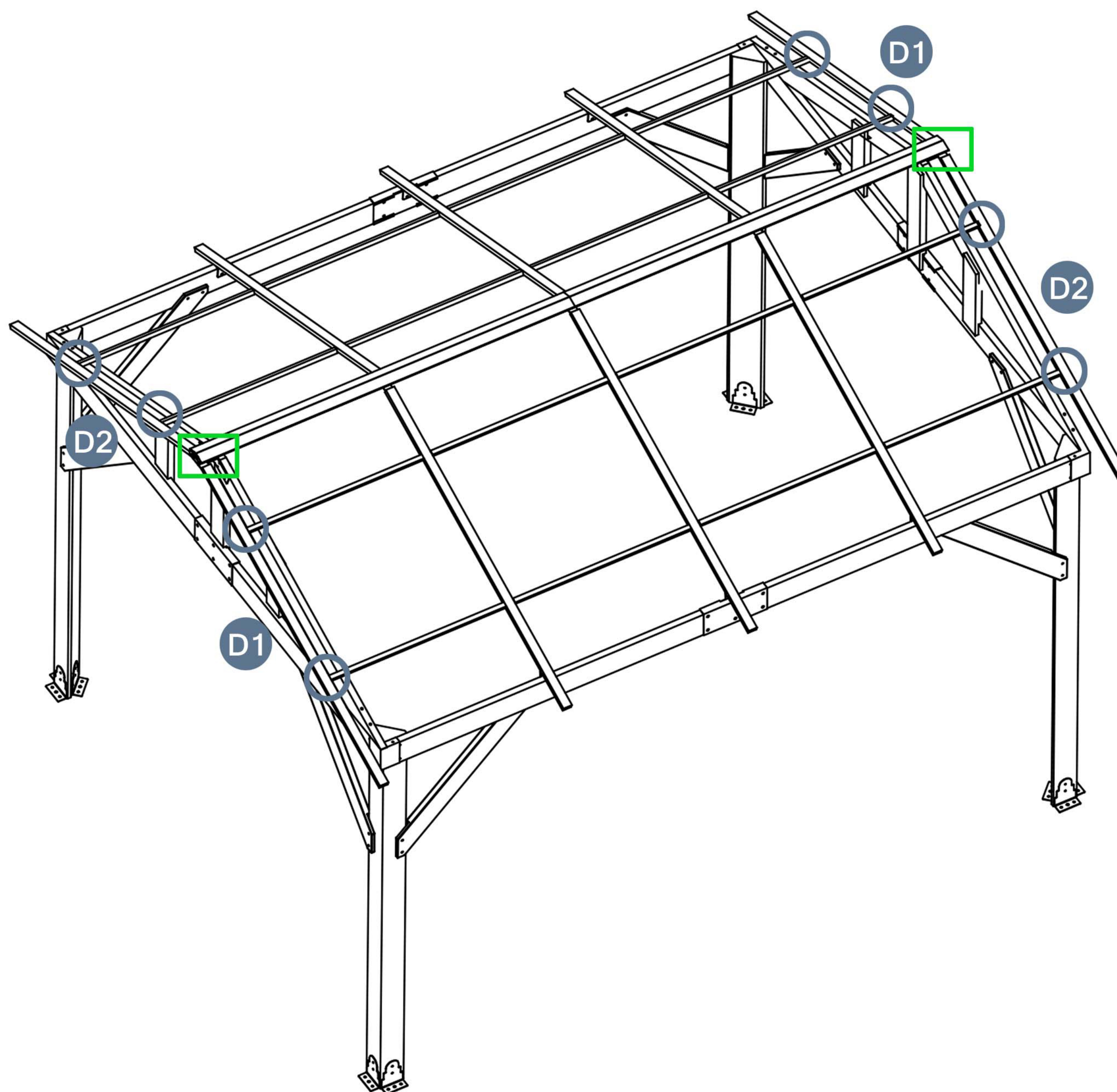
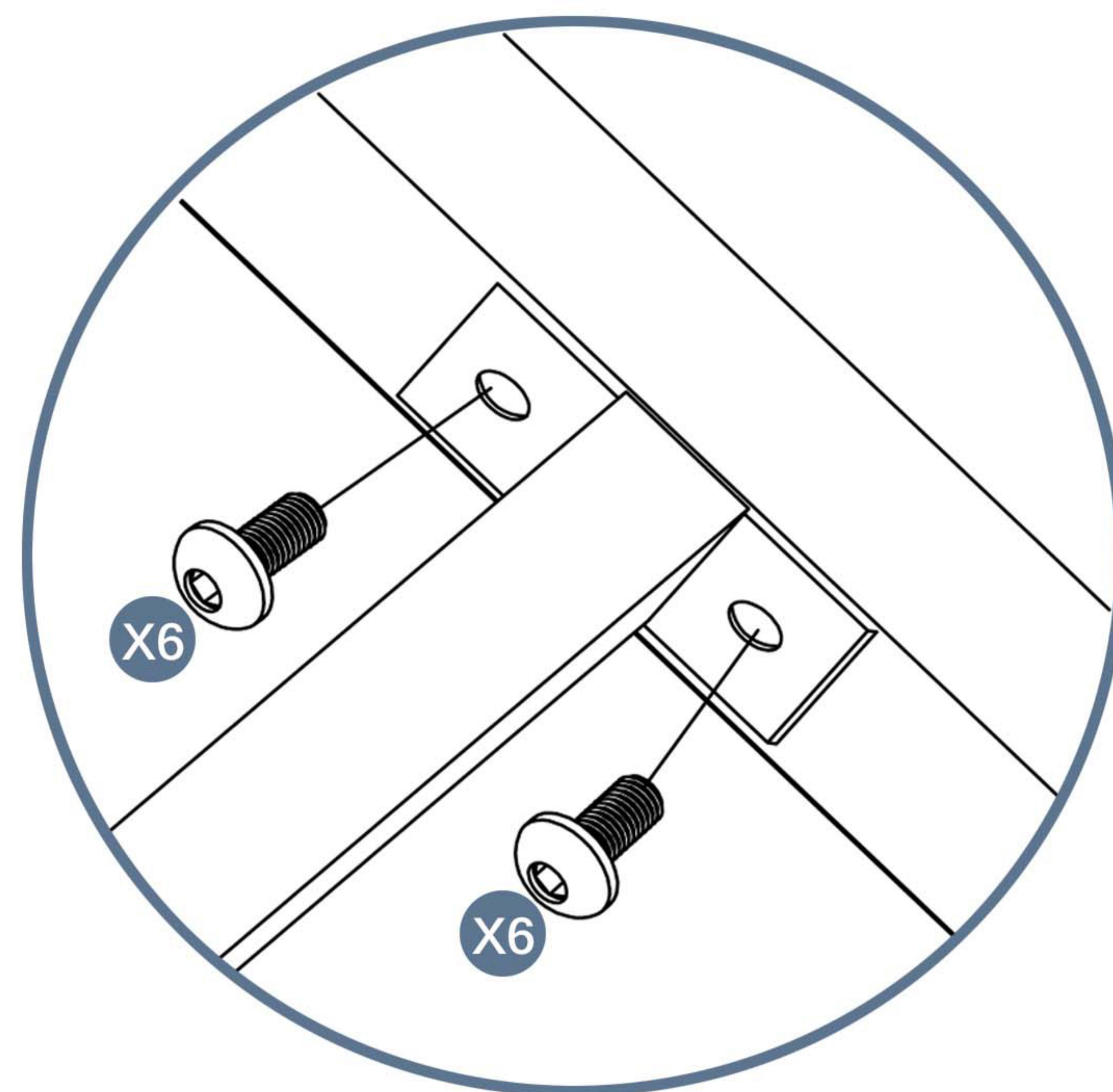
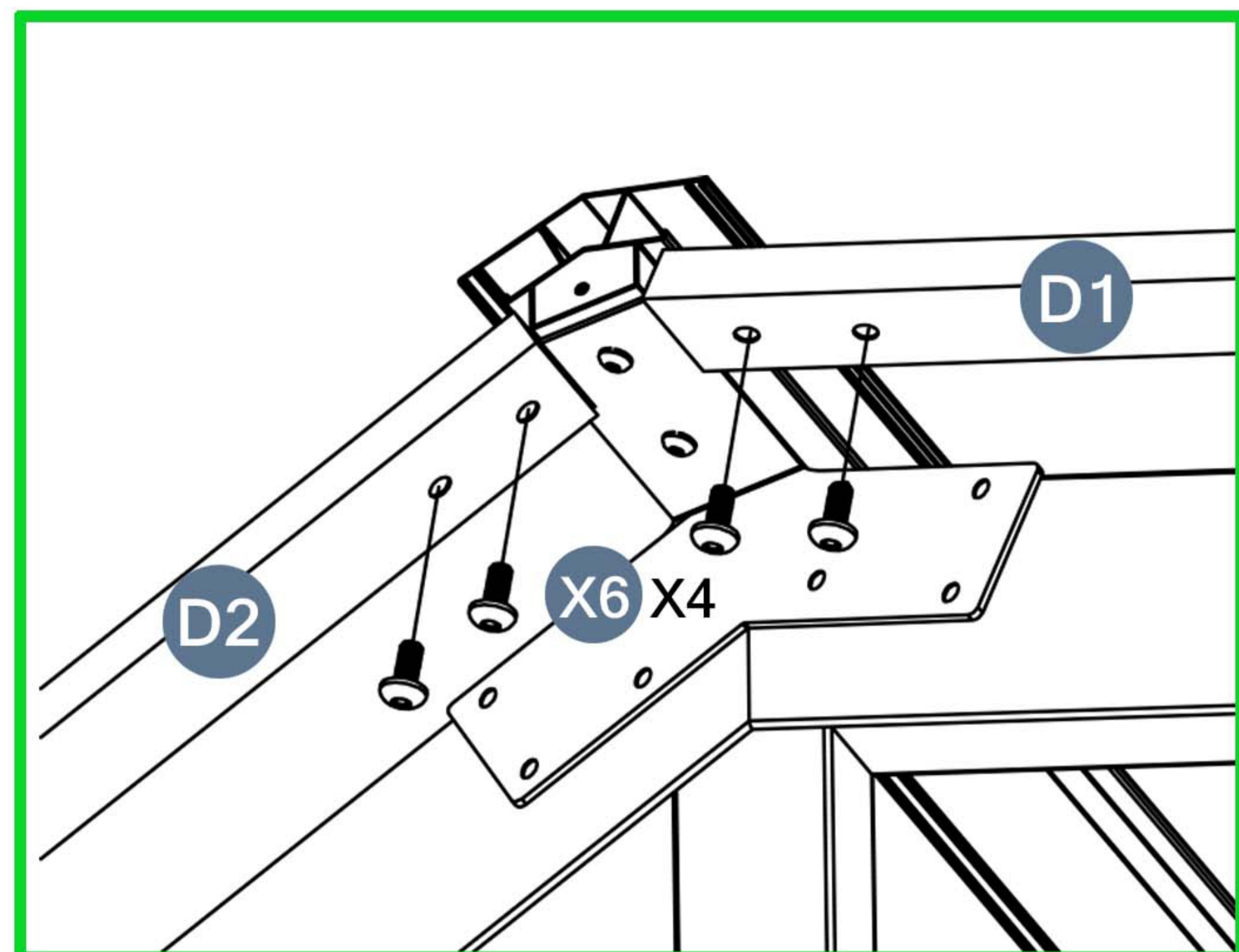
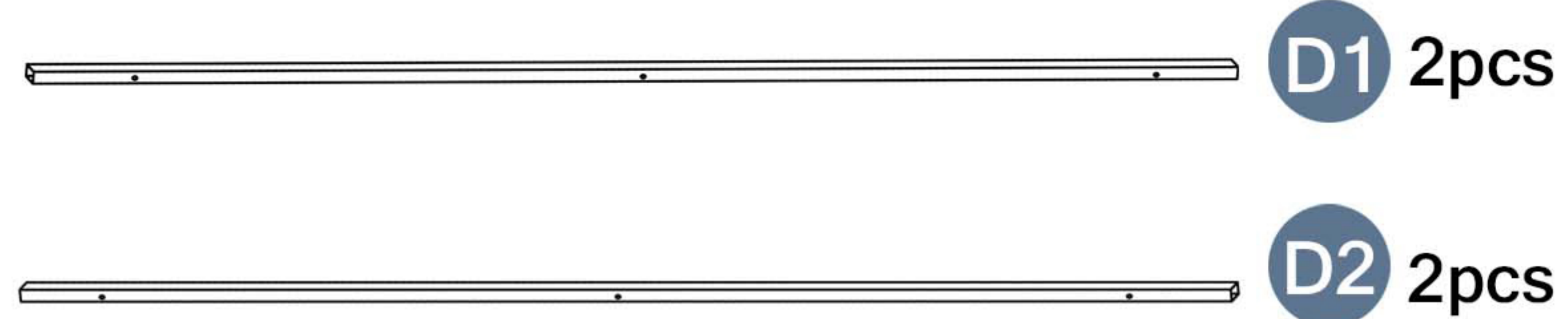
Please take care of the screws and contact the after-sales service if there is any problem with the installation or parts.



E-mail: cs.helper01@gmail.com

STEP 12

Parts required



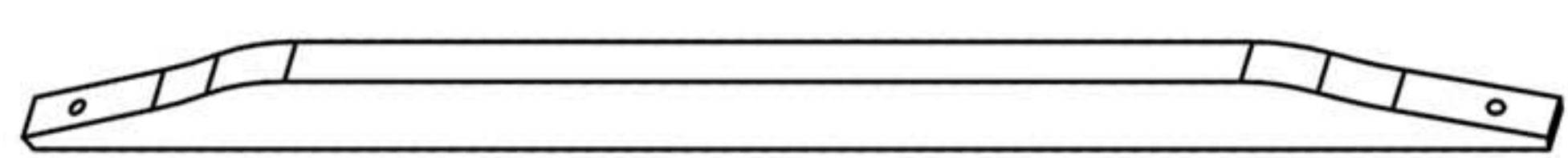
Please take care of the screws and contact the after-sales service if there is any problem with the installation or parts.



E-mail: cs.helper01@gmail.com

STEP 13

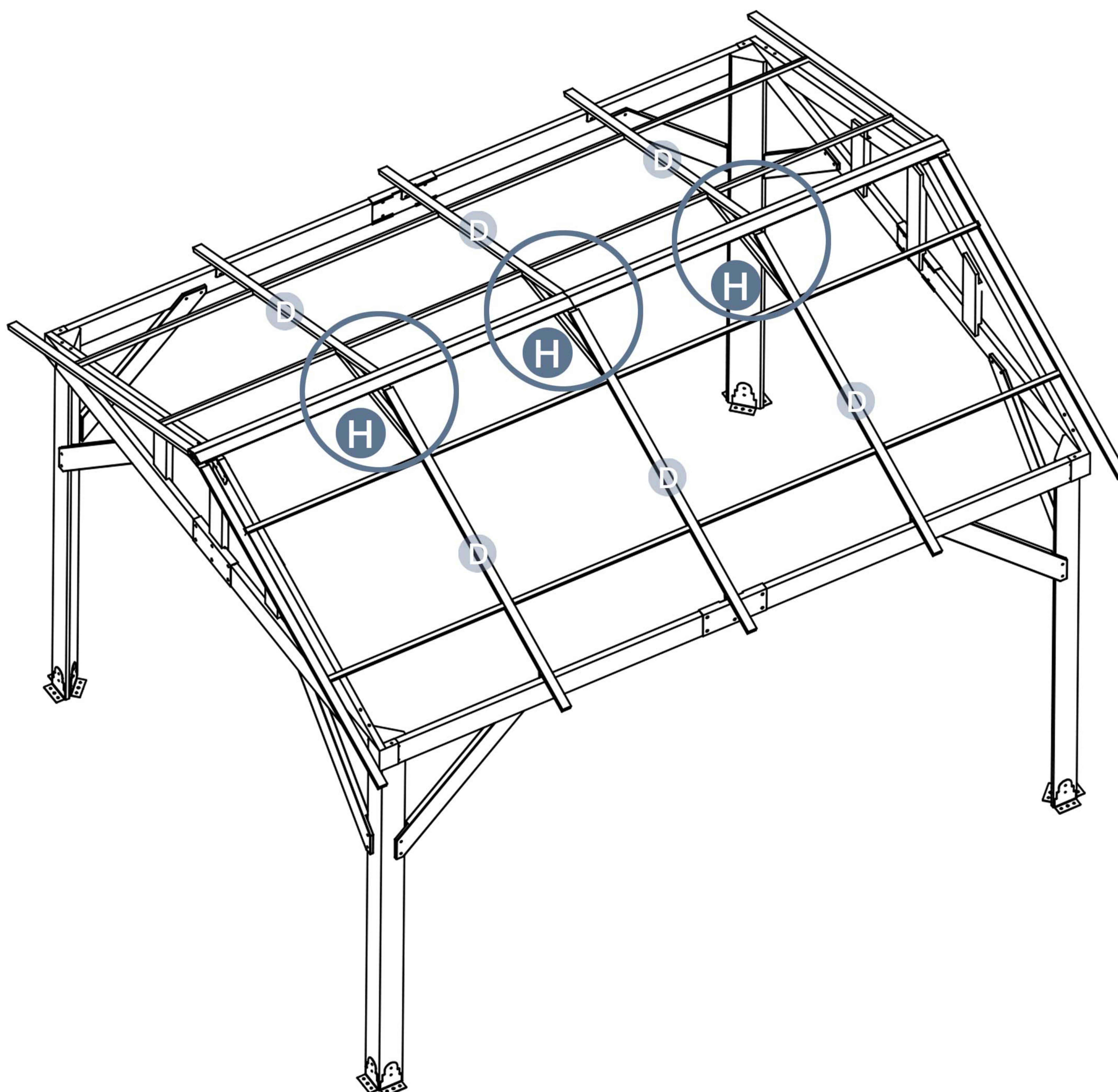
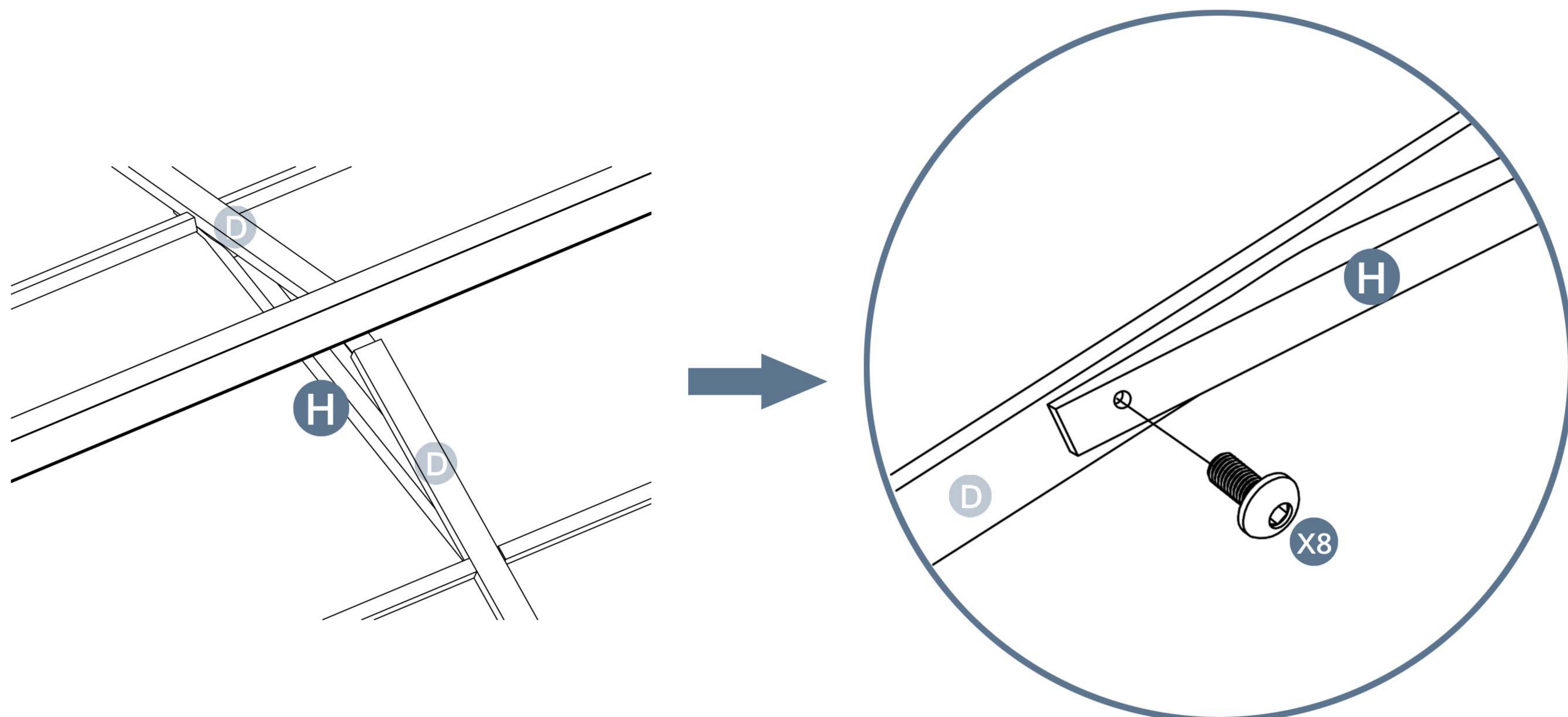
Parts required



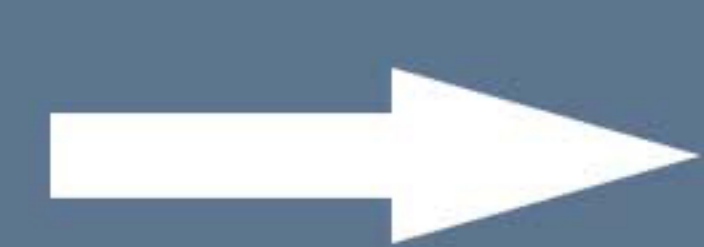
H 3pcs



X8 6pcs



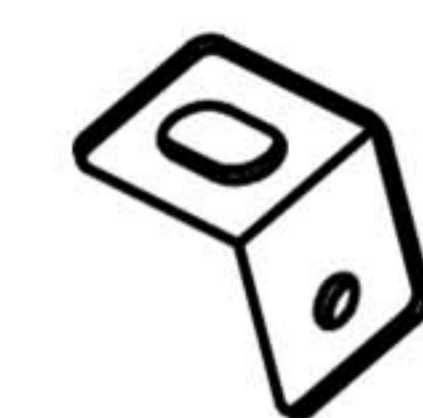
Please take care of the screws and contact the after-sales service if there is any problem with the installation or parts.



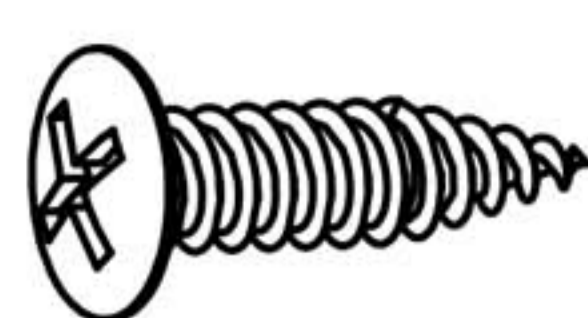
E-mail: cs.helper01@gmail.com

STEP 14

Parts required



M9 4pcs

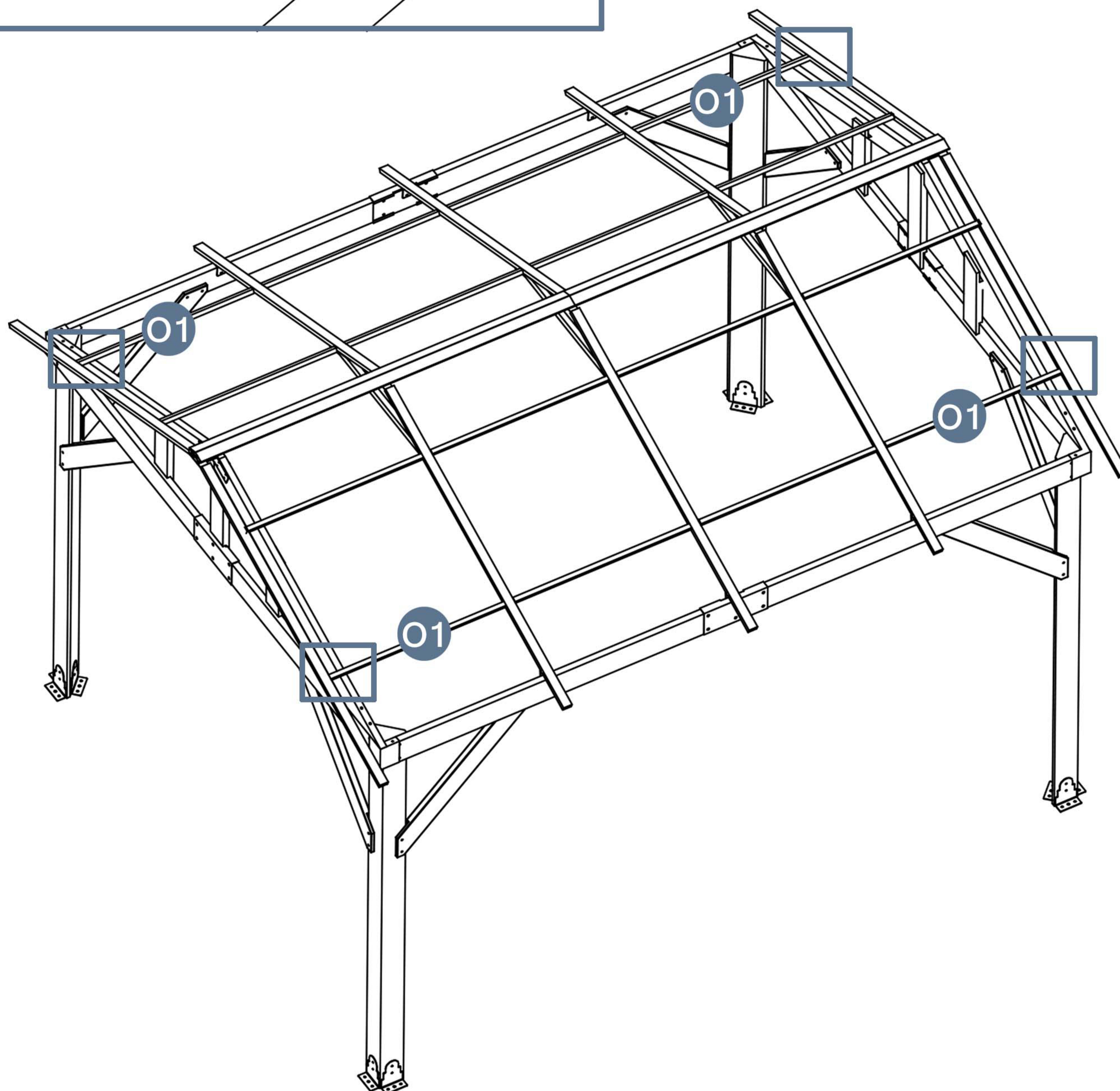
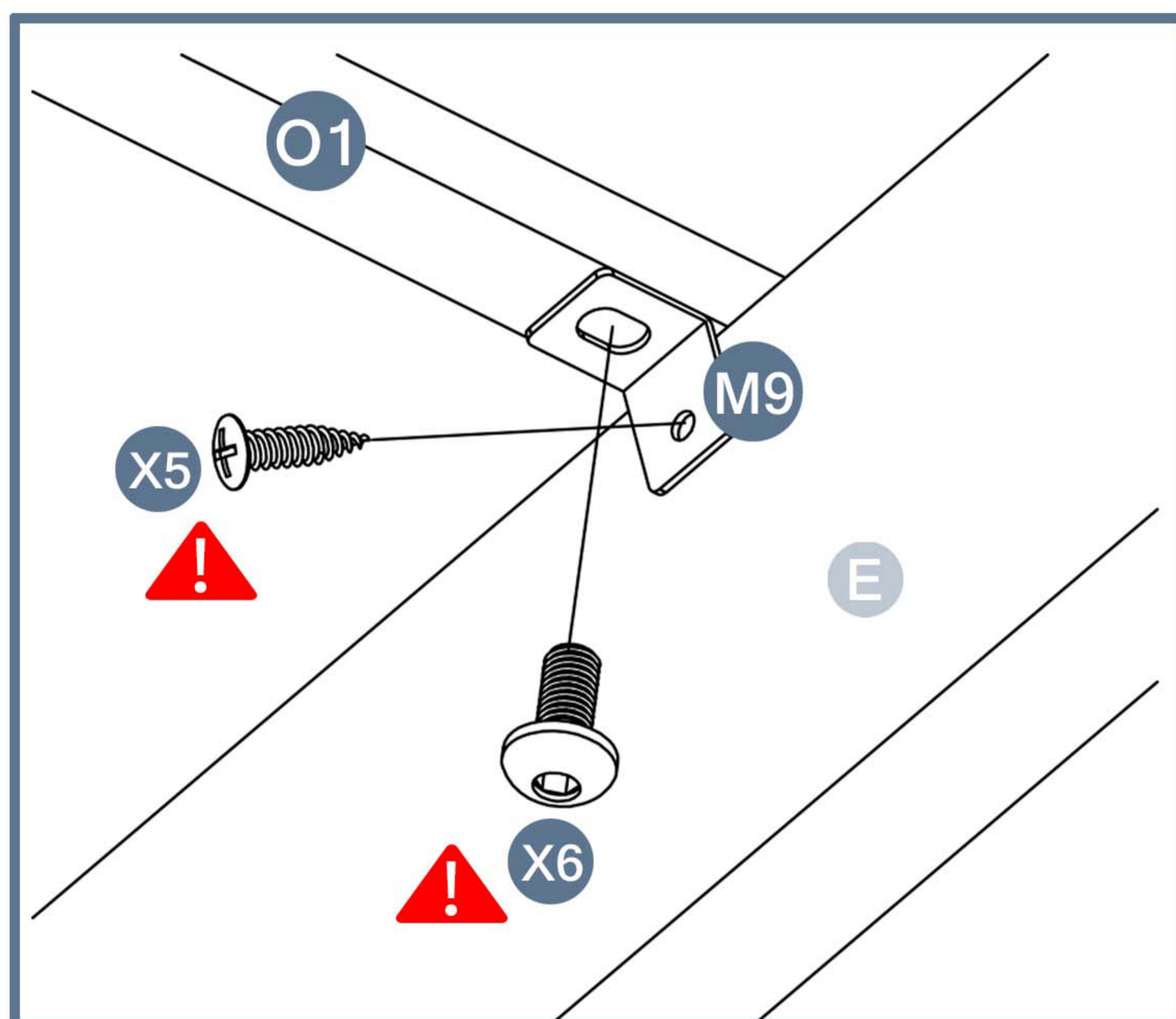


X5 4pcs



X6 4pcs

 Pay attention to the difference of screws.

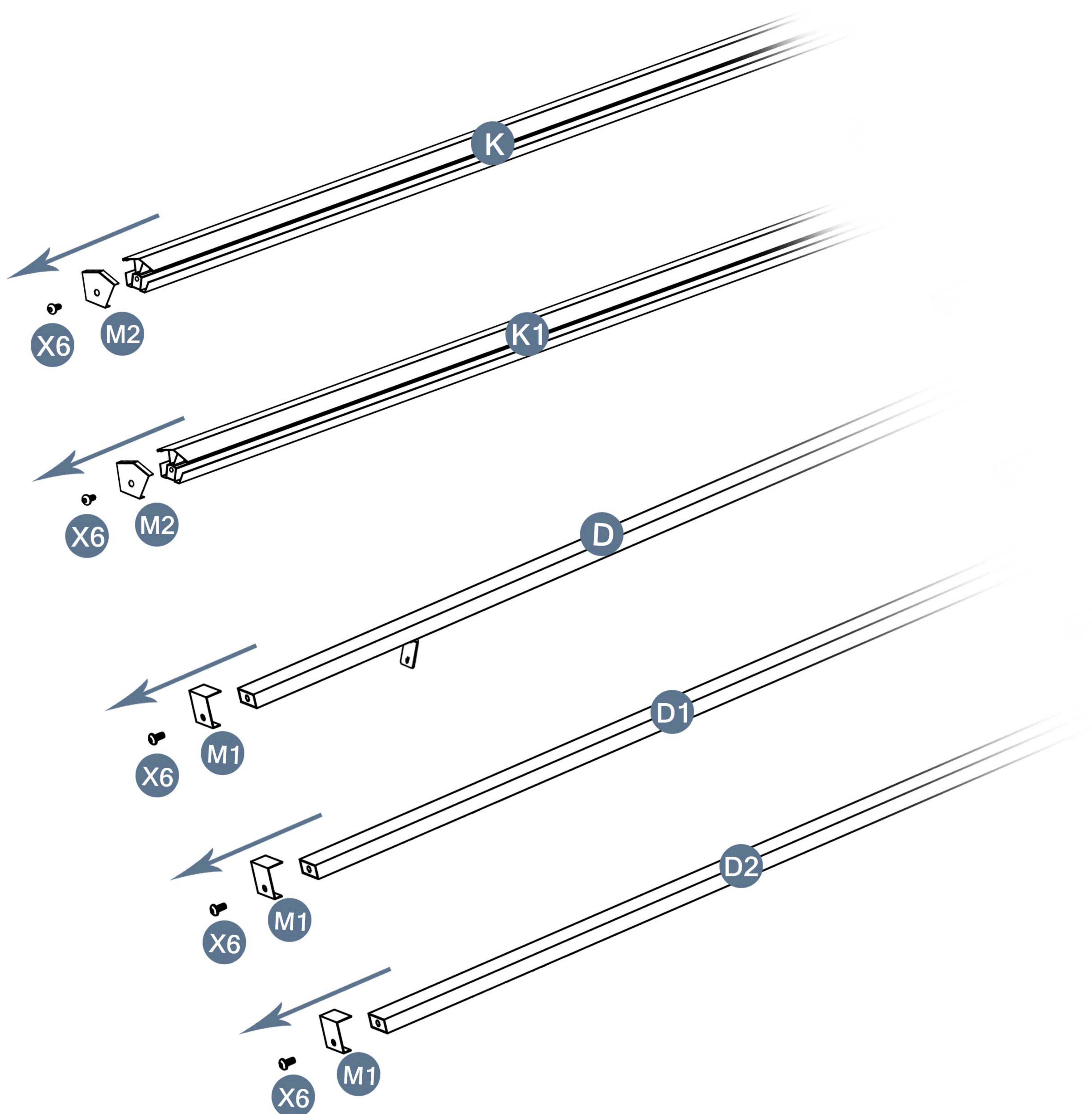


Please take care of the screws and contact the after-sales service if there is any problem with the installation or parts.



To prevent the loss of M2 and M1
we mounted the M2 and M1 on top of the K/K1 and D/D1/D2 ahead of time

Before installing step 15, please remove the 2 M2's
and 10 M1's from the part K/K1 and D/D1/D2. (Reinstall them during step 16/ step 17) .

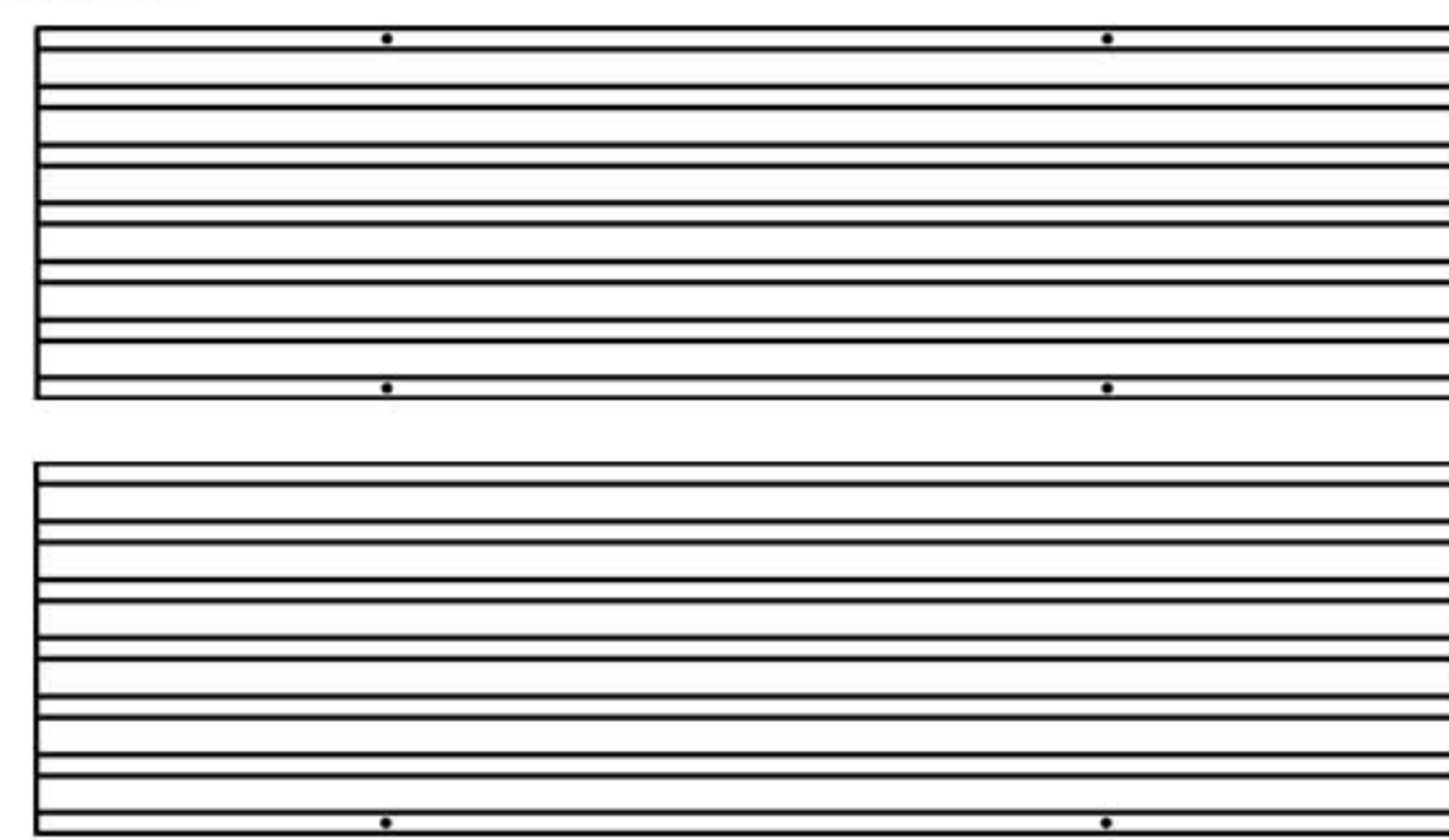


Please take care of the screws and contact the after-sales service if there is any problem with the installation or parts.

➔ ✉ E-mail: cs.helper01@gmail.com

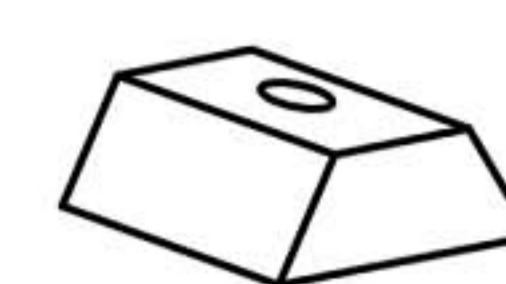
STEP 15

Parts required

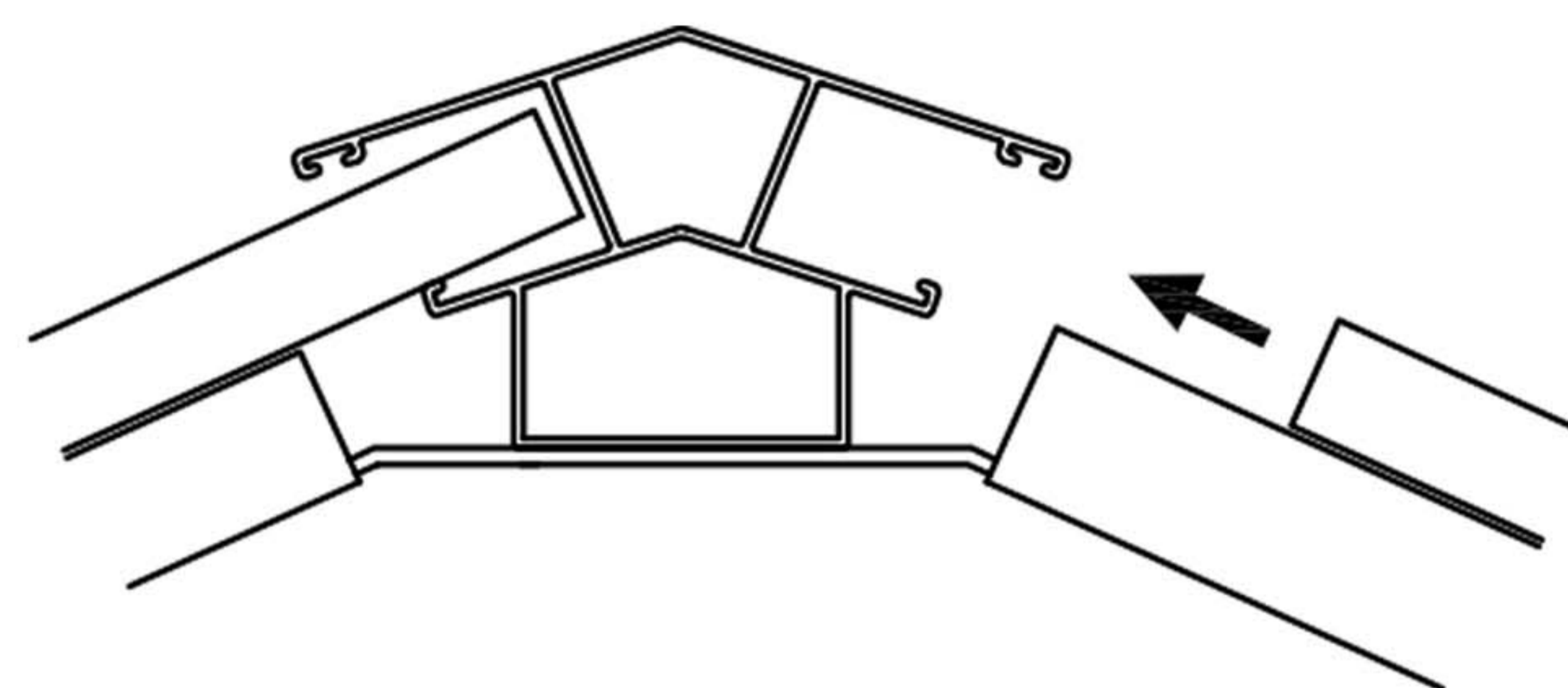
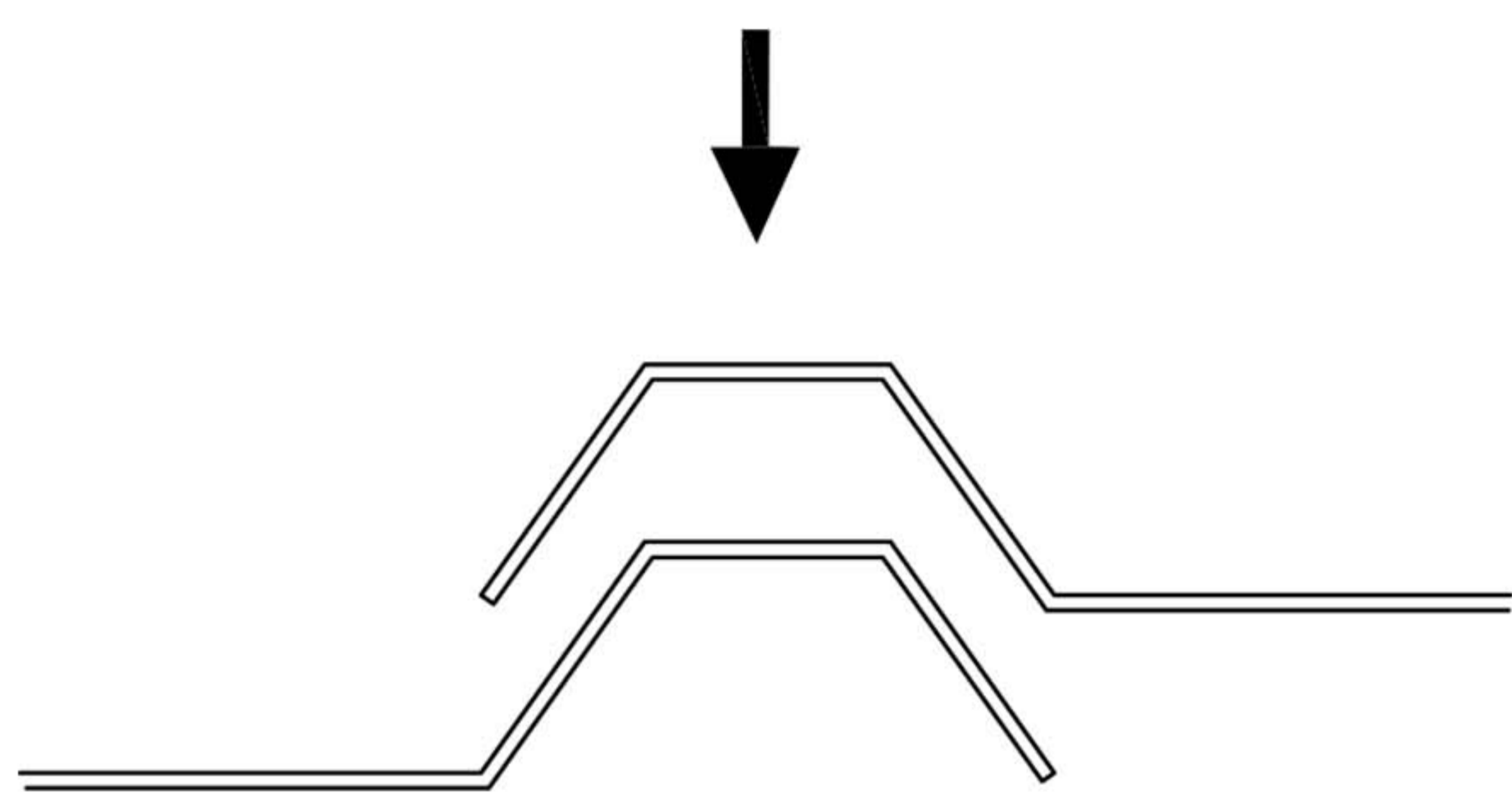


N 10pcs

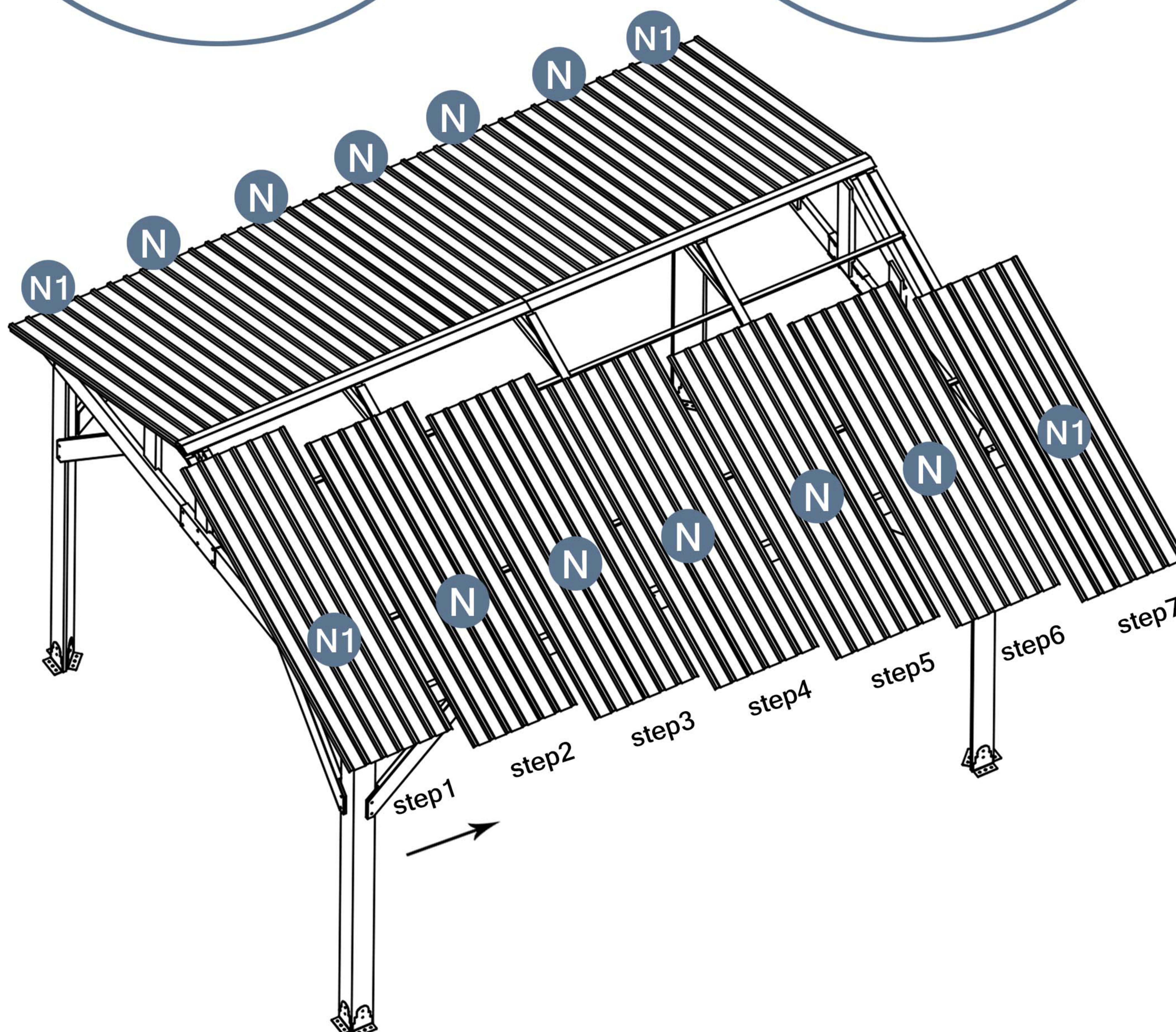
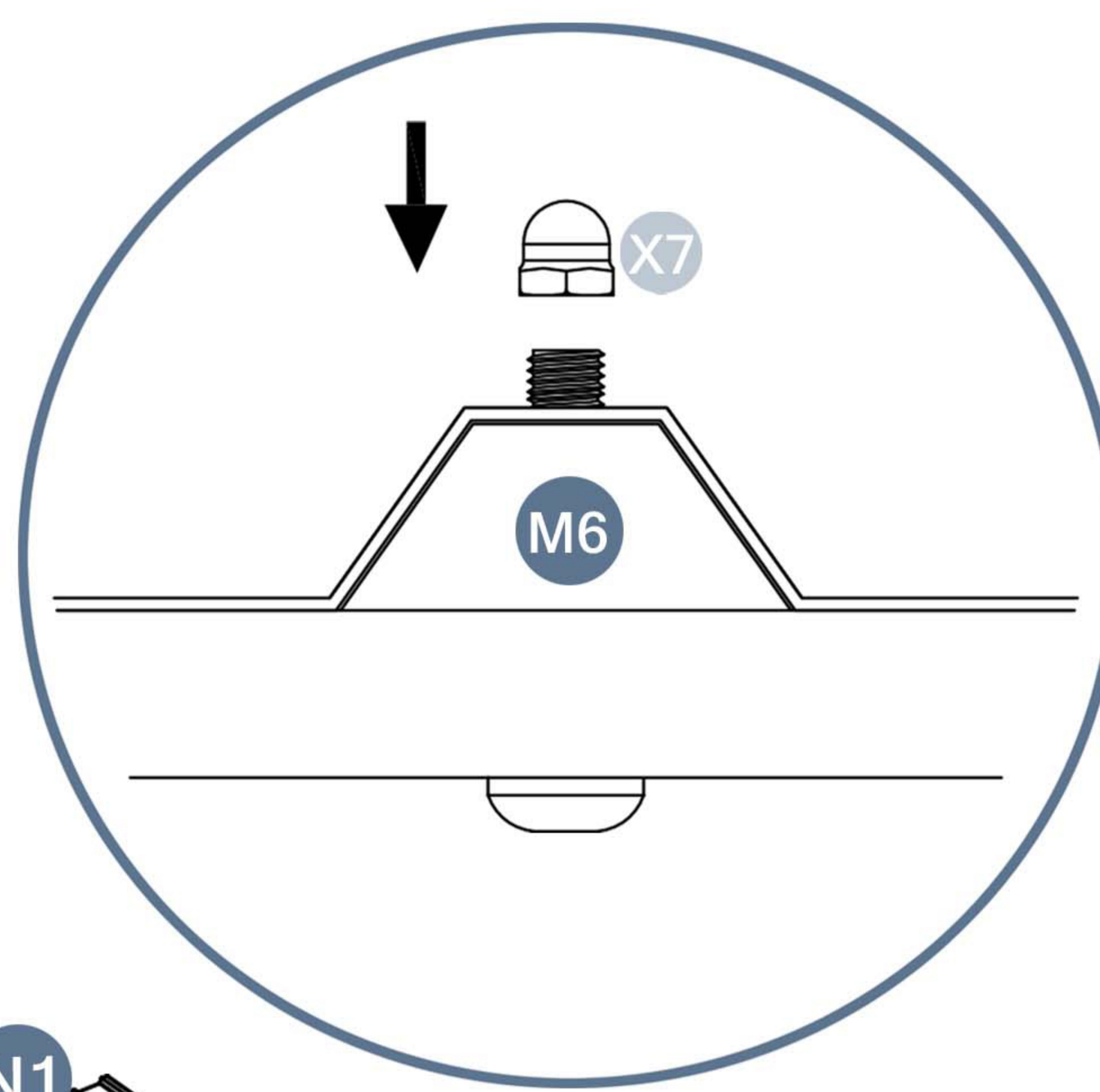
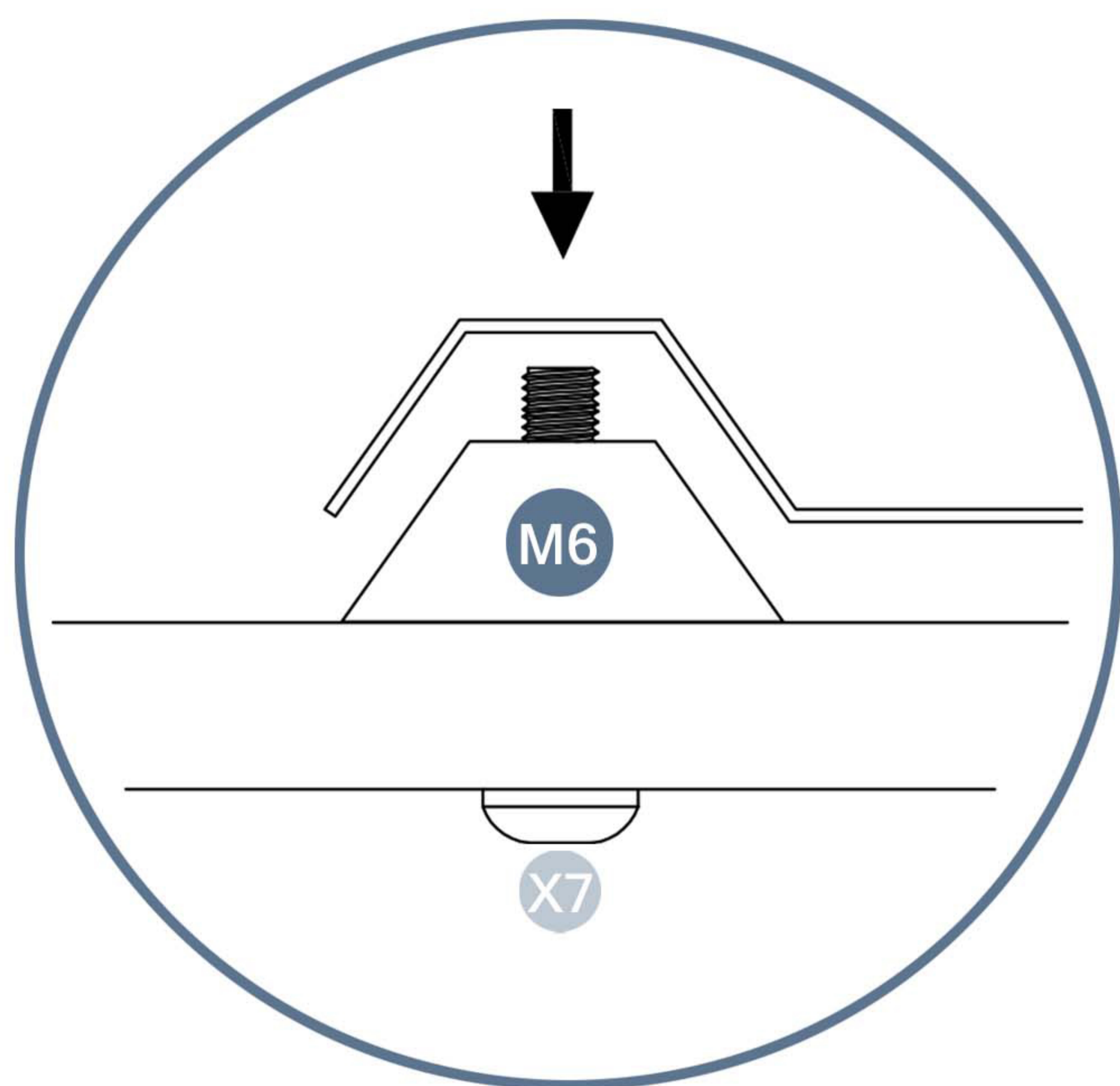
N1 4pcs



M6 24pcs



• Side view

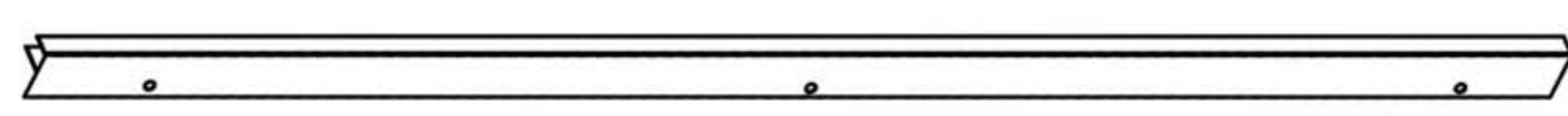


Please take care of the screws and contact the after-sales service if there is any problem with the installation or parts.



STEP 16

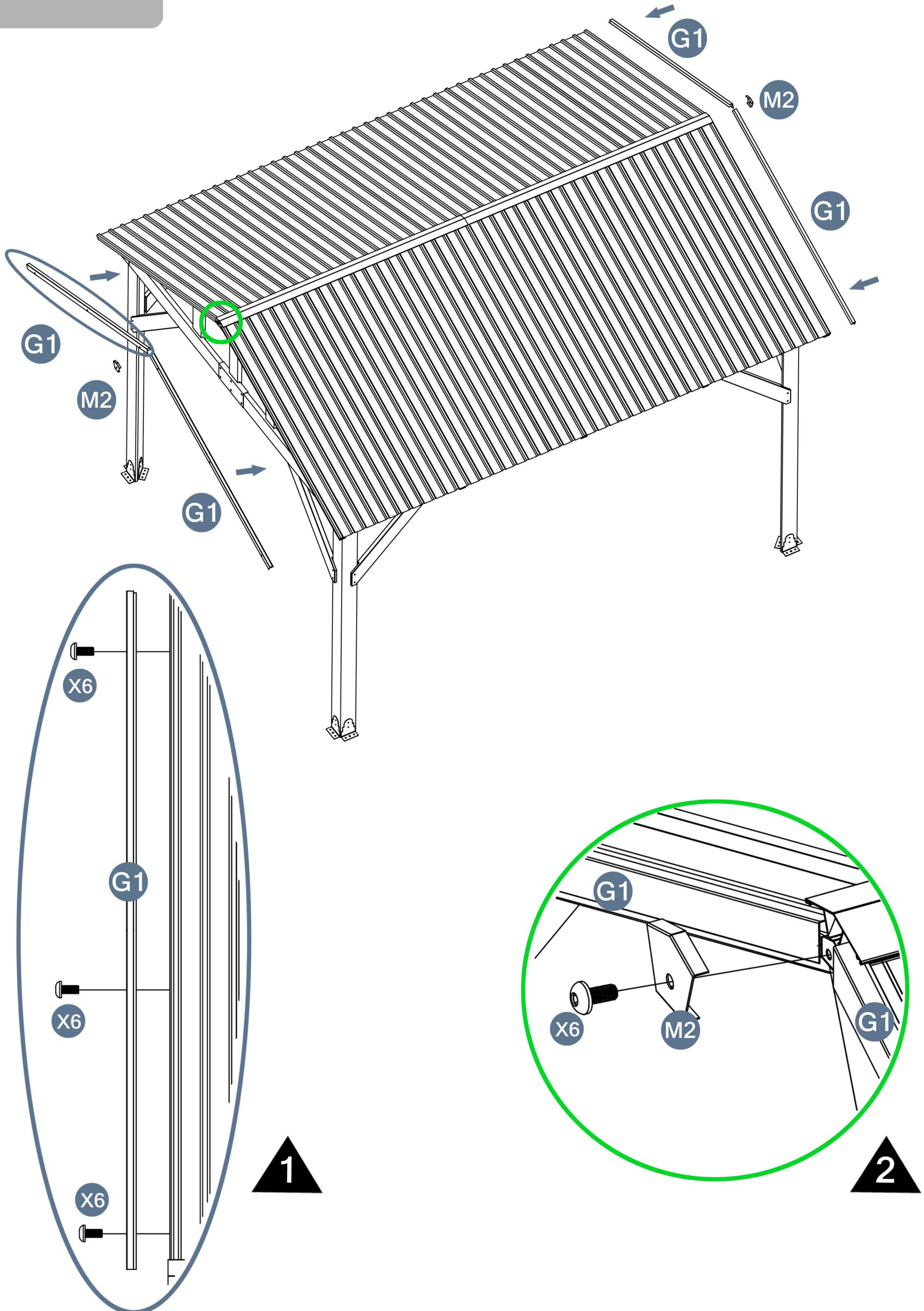
Parts required

 G1 4pcs

 M2 2pcs

 X6 14pcs

1 → 2



Please take care of the screws and contact the after-sales service if there is any problem with the installation or parts.

➔ ✉ E-mail: cs.helper01@gmail.com

STEP 17

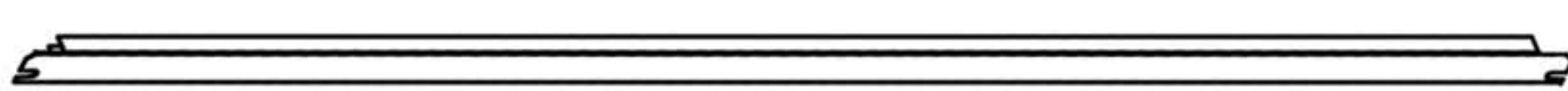
Parts required



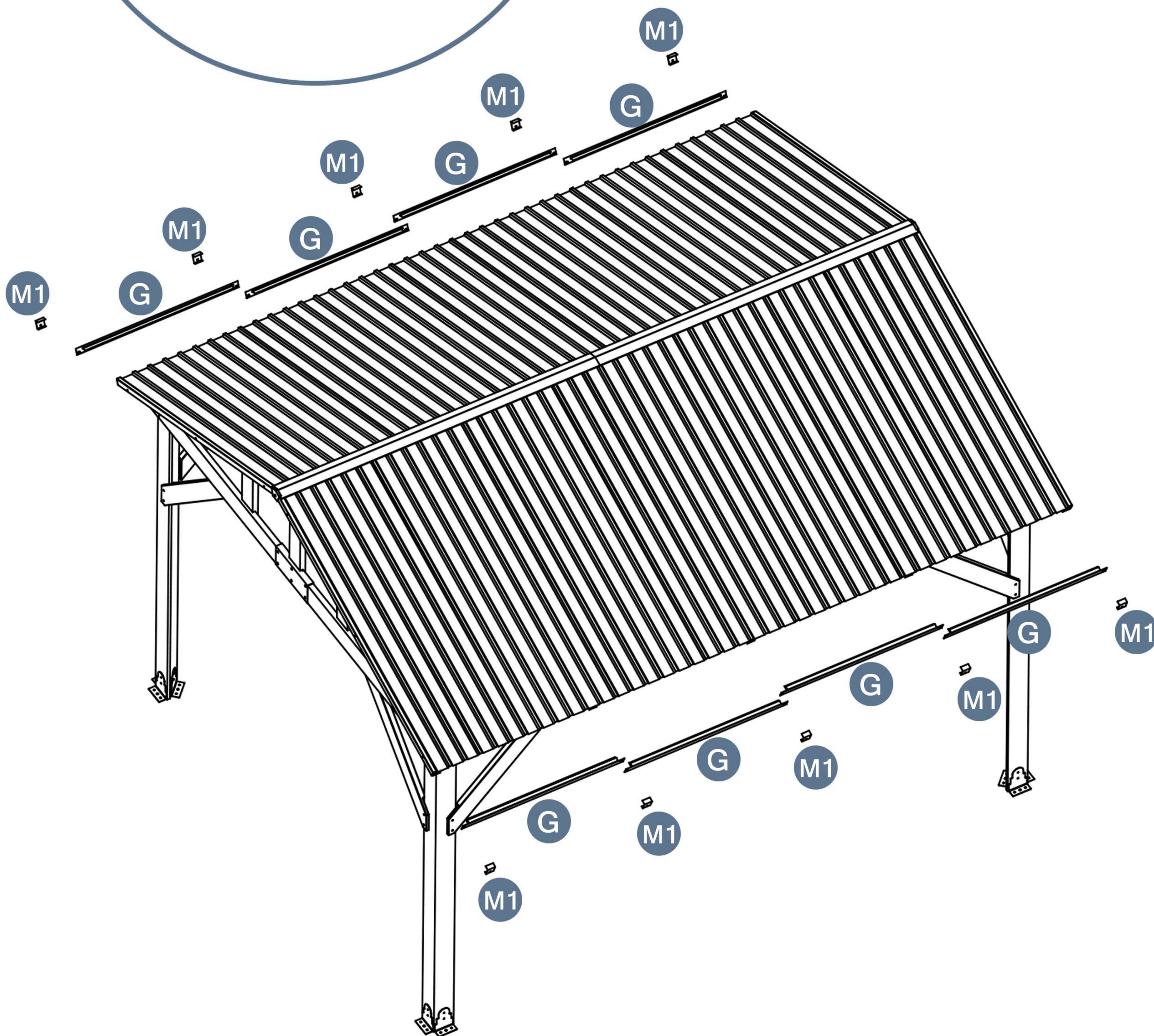
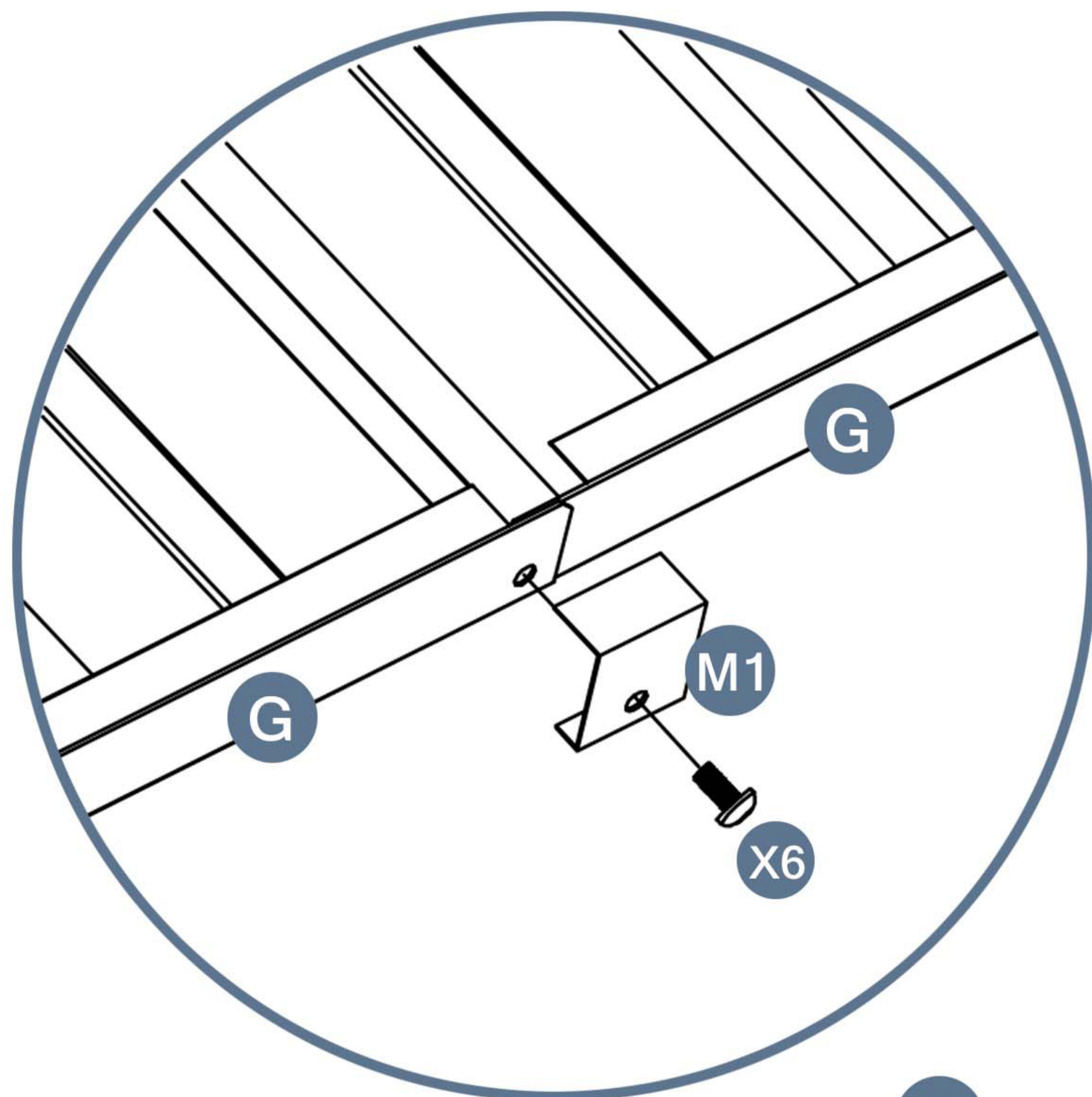
M1 10pcs



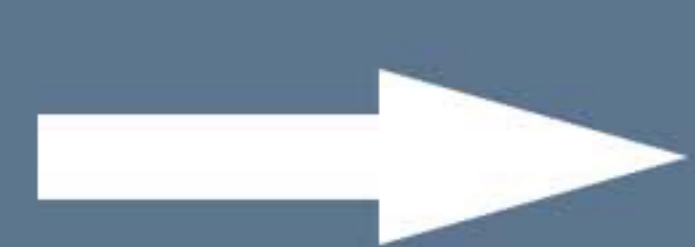
X6 10pcs



G 8pcs



Please take care of the screws and contact the after-sales service if there is any problem with the installation or parts.

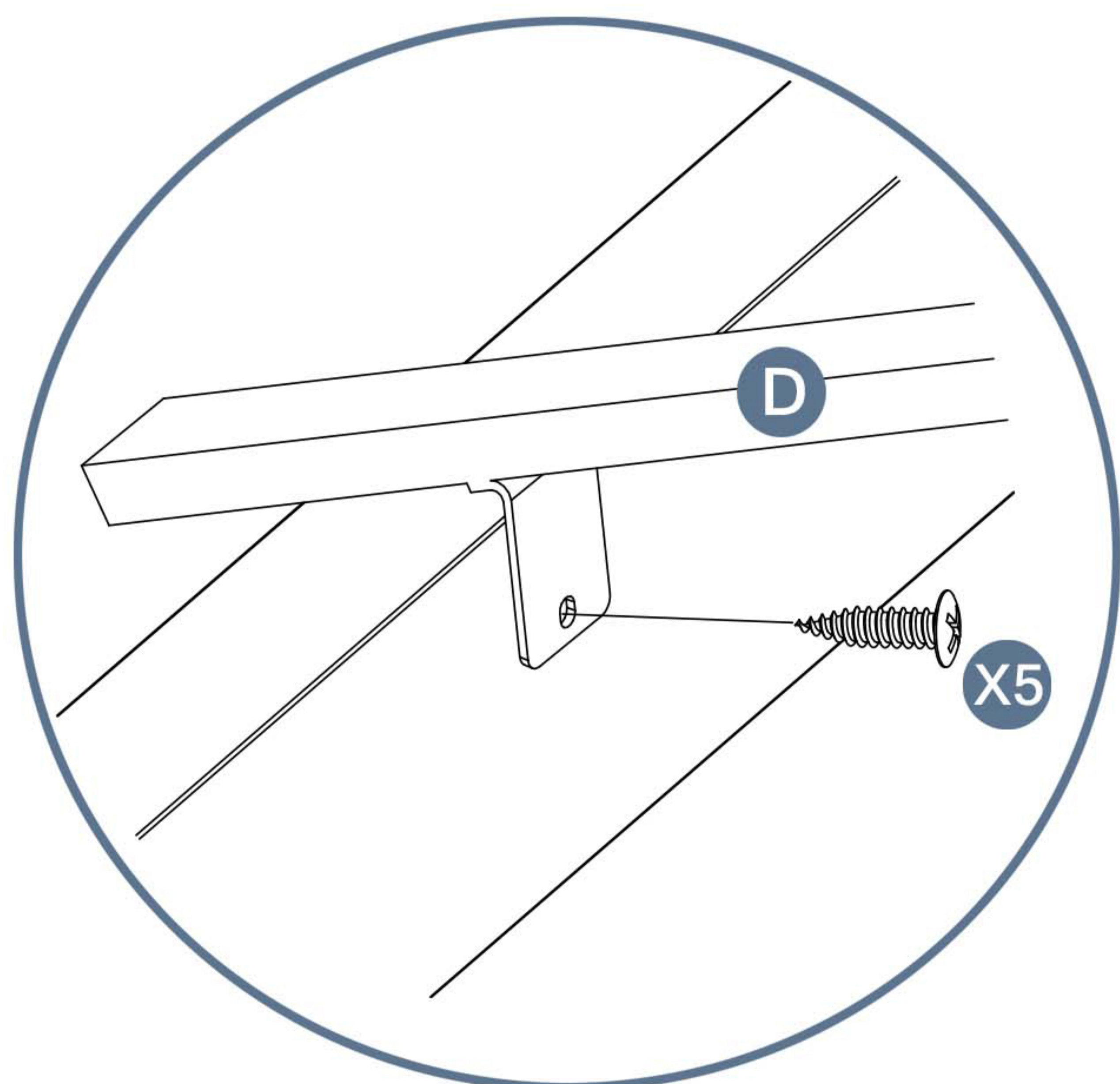


STEP 18

Parts required

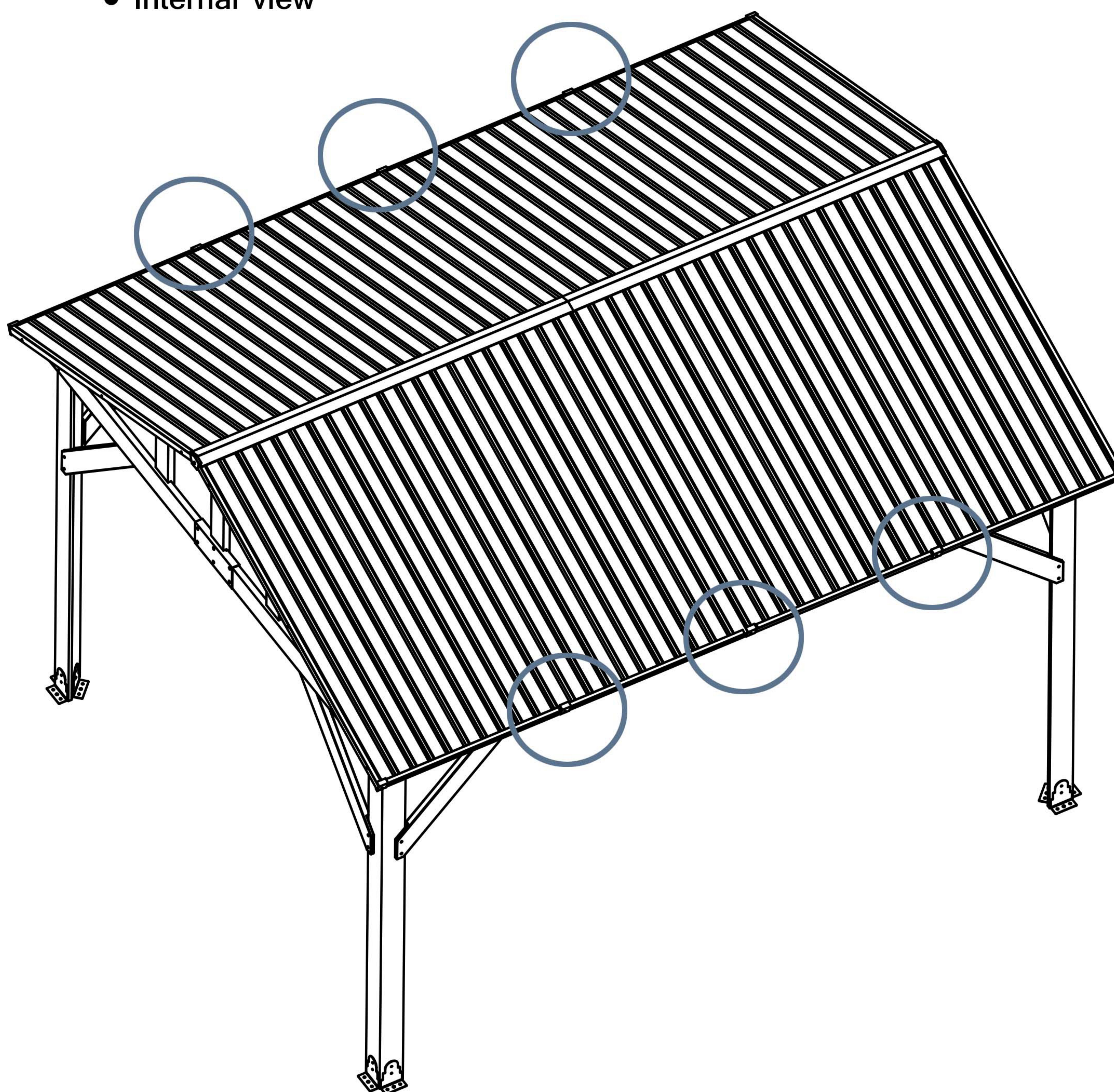


X5 6pcs



Adjust the appropriate position, and then install the screw.

• Internal view



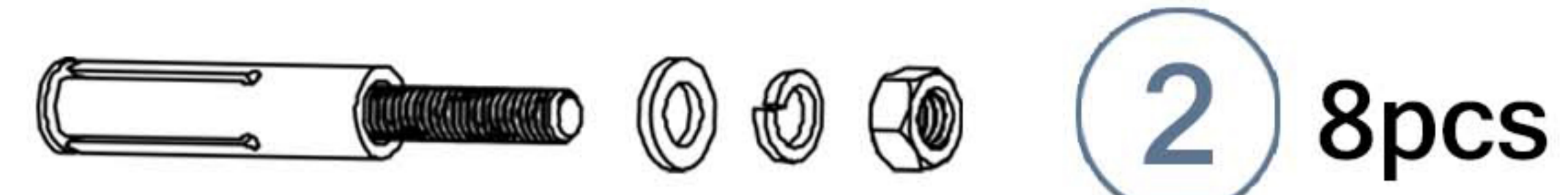
Please take care of the screws and contact the after-sales service if there is any problem with the installation or parts.



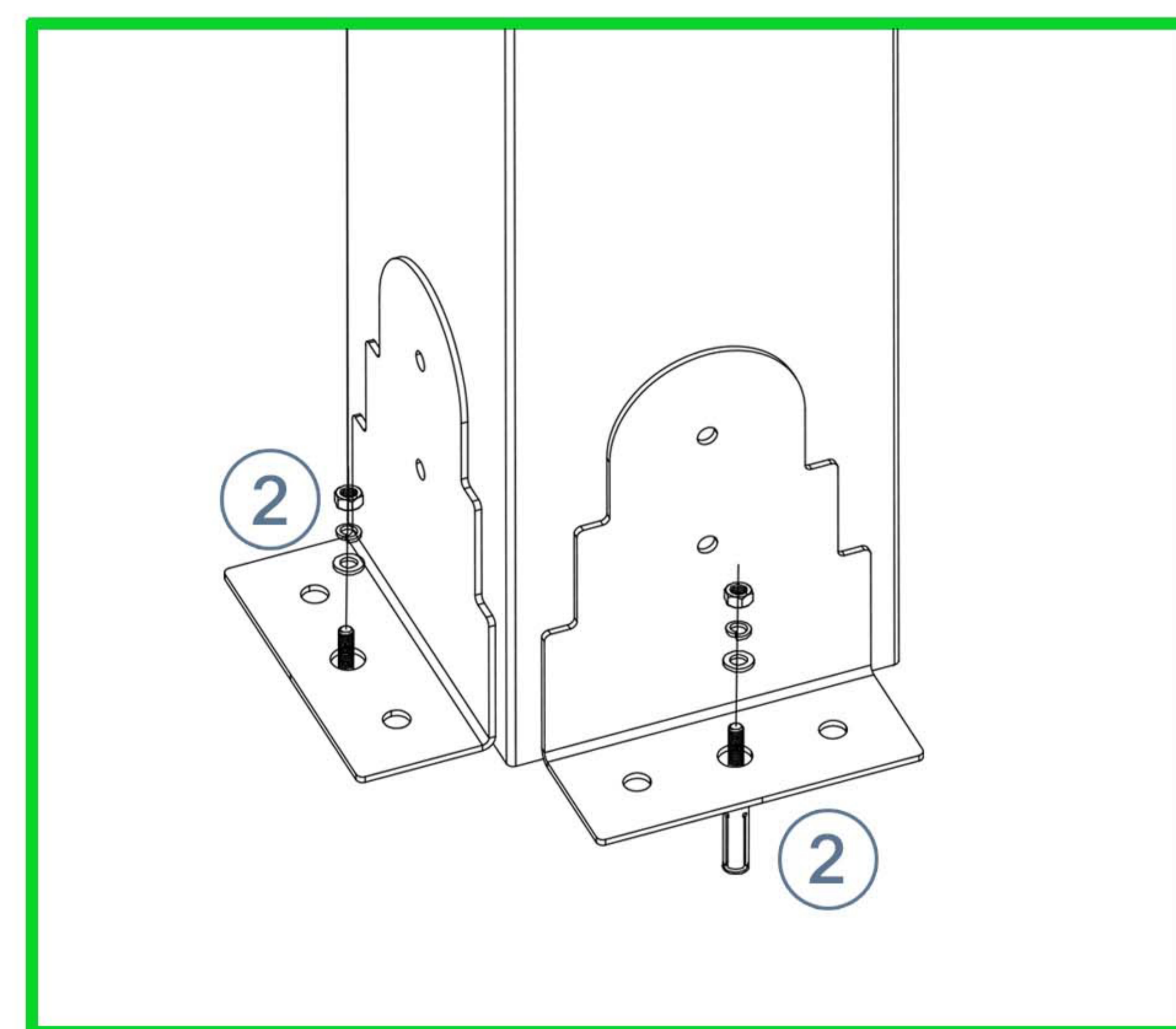
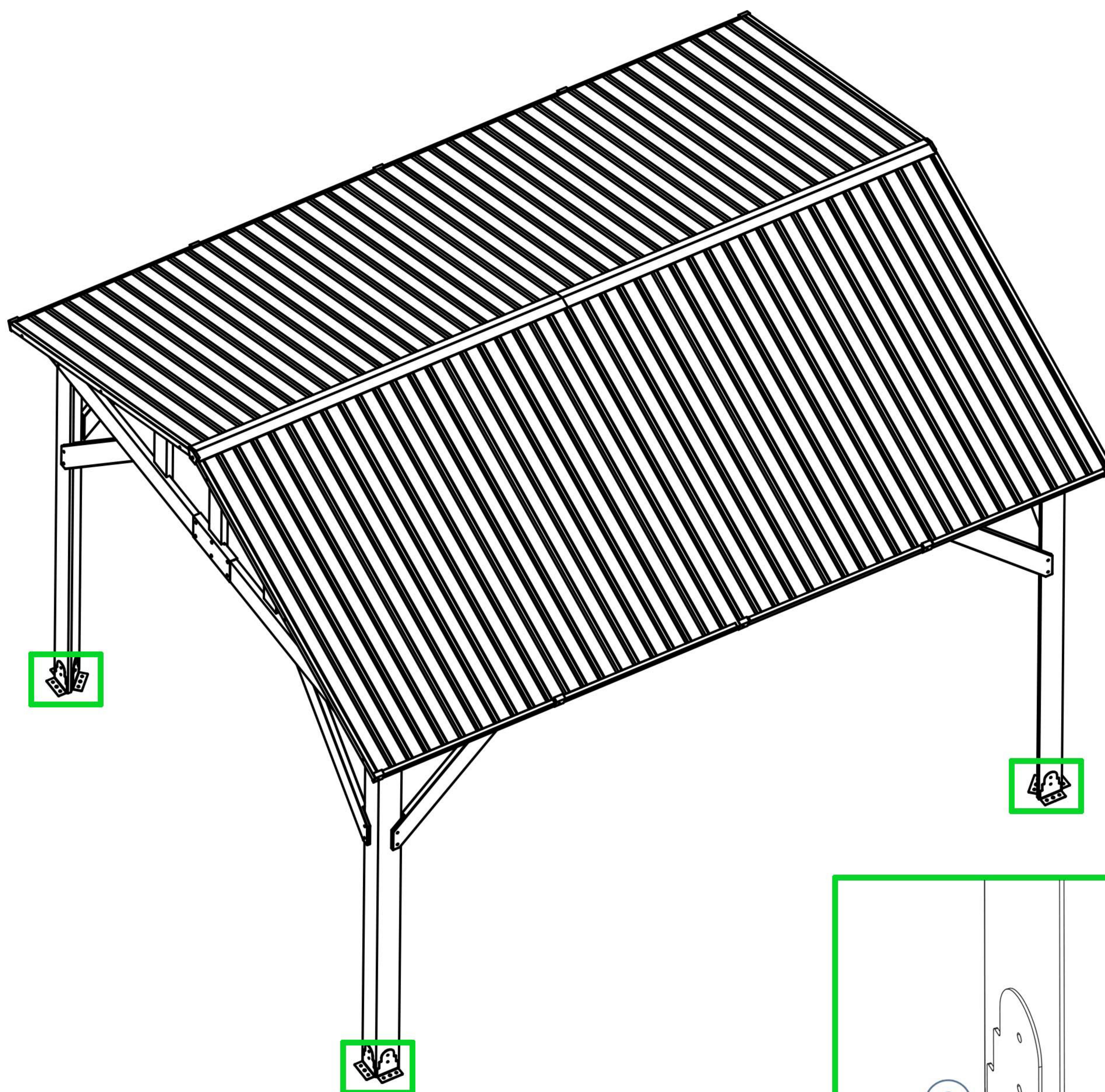
E-mail: cs.helper01@gmail.com

STEP 19

Parts required



To improve stability of gazebo, expansion screws very necessary. Expansion screws use for cement surfaces and have included in the package.



!!! For safety's stake, please check and make sure that all screws are tightened after all installation is complete.

Installation Completed

Please take care of the screws and contact the after-sales service if there is any problem with the installation or parts.

