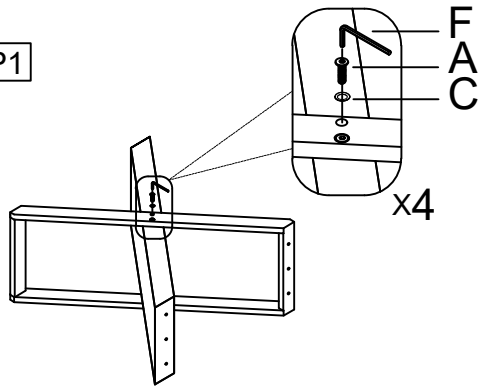


ASSEMBLY INSTRUCTION

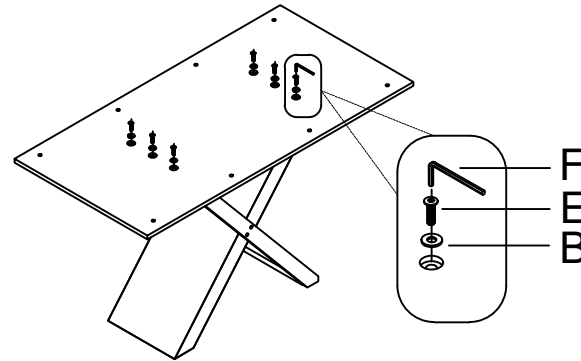
At least 2 people are required for product assembly

STEP1

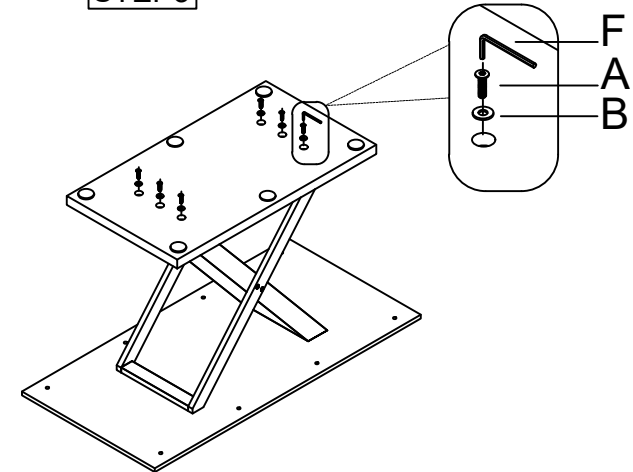


Only tighten to 80%

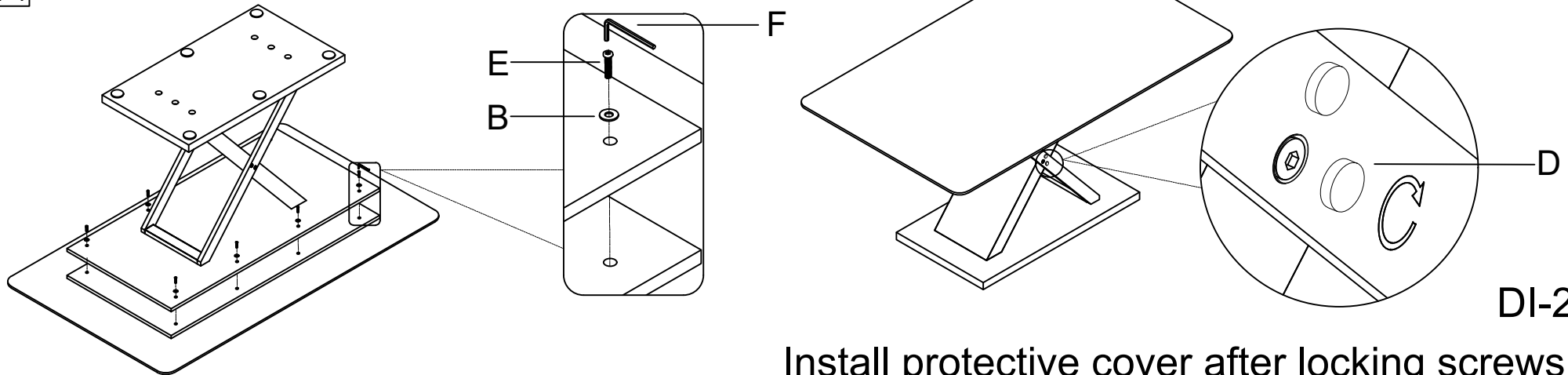
STEP2



STEP3









STEP4



DI-26

Install protective cover after locking screws

<p>A  M8*45mm 10pcs</p>	<p>B  20pcs</p>	<p>C  4pcs</p>	<p>D  4pcs</p>	<p>E  M8*25mm 14pcs</p>	<p>F  1pc</p>		
--	---	--	--	---	---	--	--