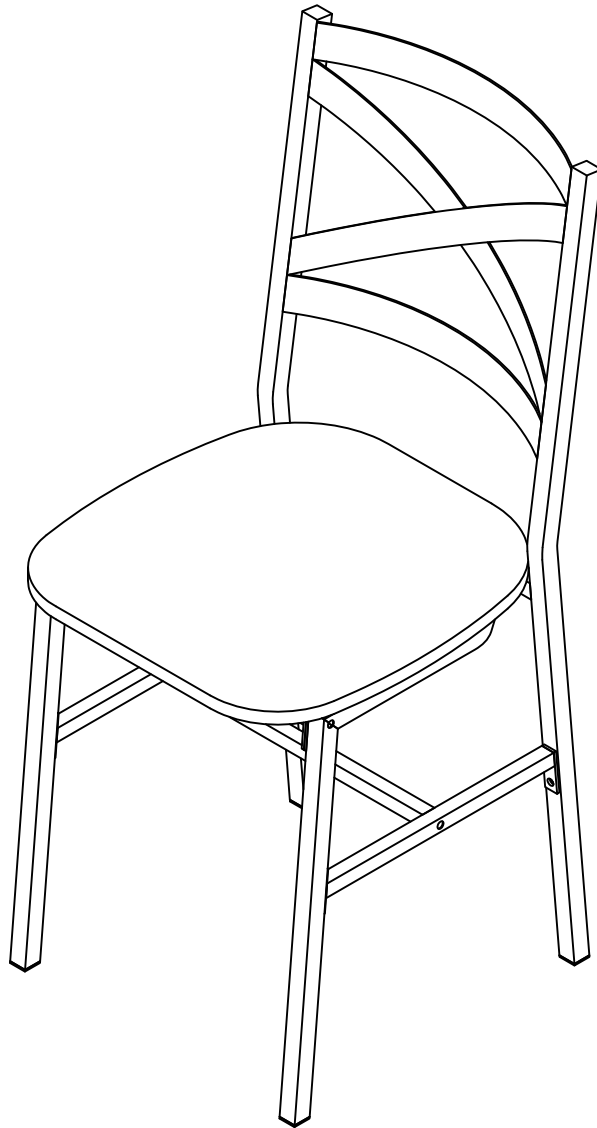
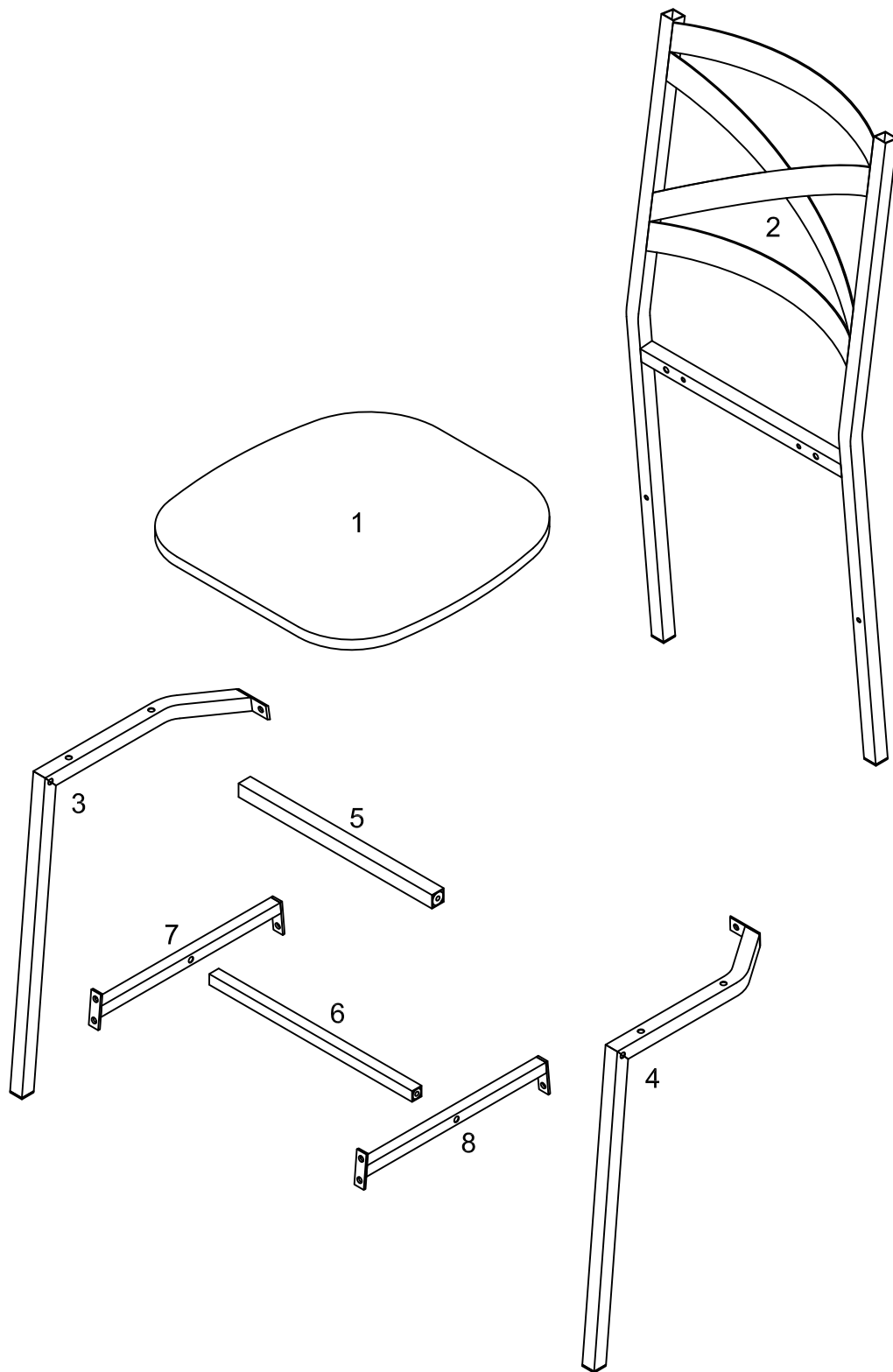



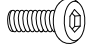

# Assembly Instructions

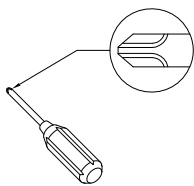


# Parts List



# Hardware List

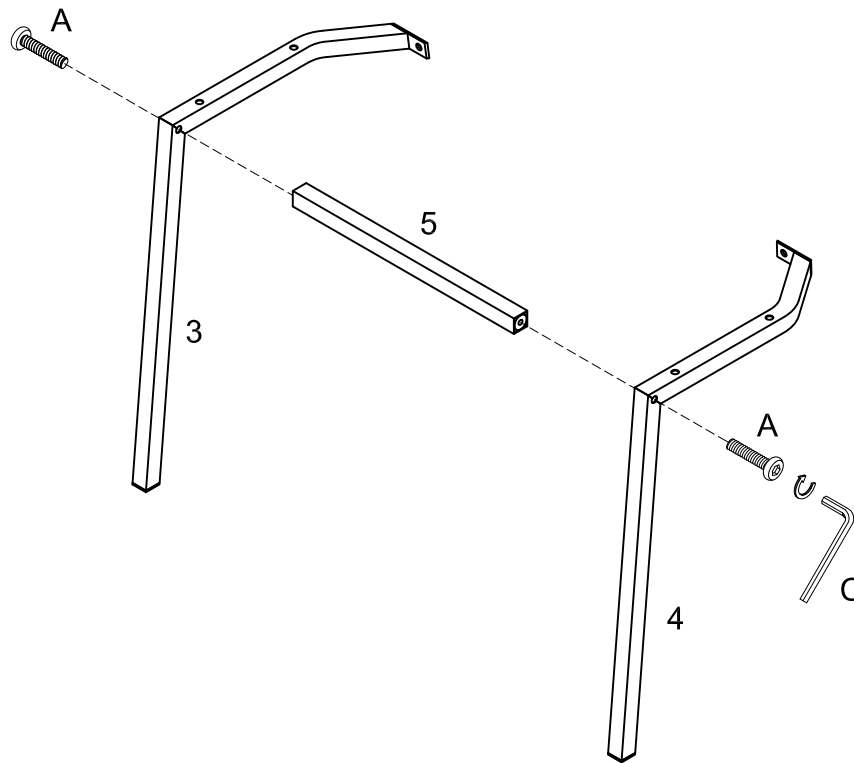
|   |   |            |        |        |
|---|---|------------|--------|--------|
| A |  | Ø1/4"x30mm | Bolt   | 10 pcs |
| B |  | Ø1/4"x12mm | Bolt   | 8 pcs  |
| C |  | M4x55      | Wrench | 1 pc   |



Philips head screwdriver required for assembly  
(not included)

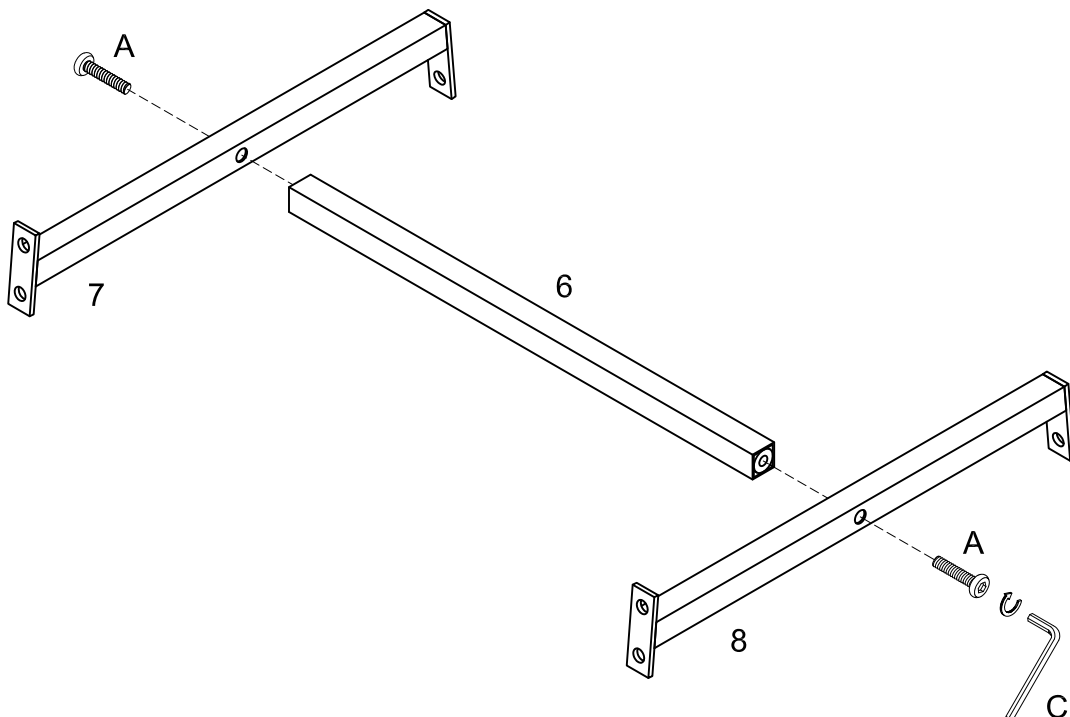
*The hardware quantities listed above are required for proper assembly.  
Some extra hardware may also have been included.*

# Step 1



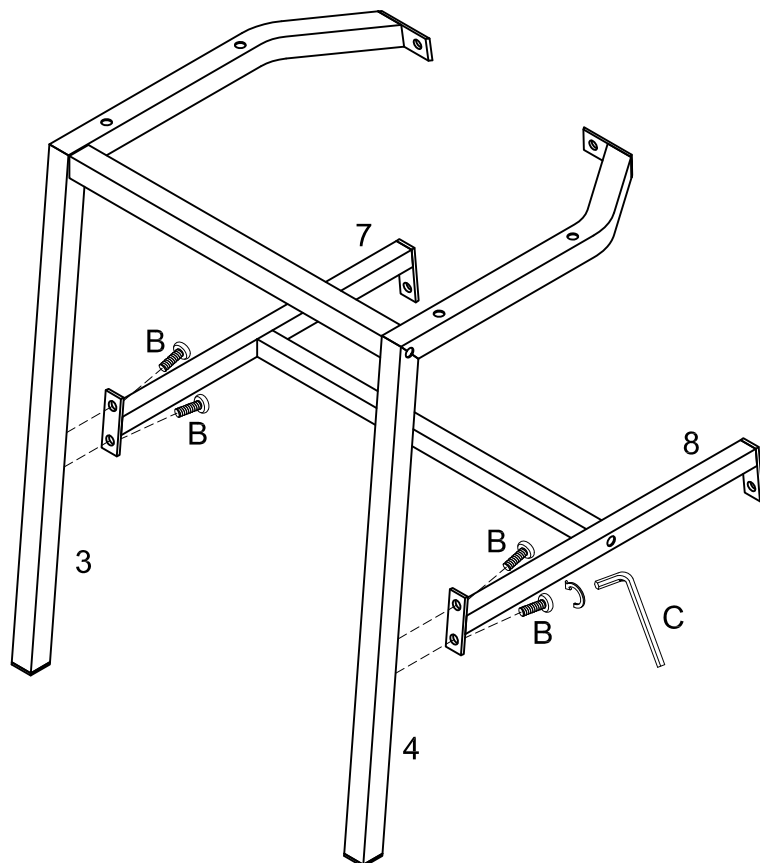
Use the Wrench (C), Bolt (A) to secure the Support Bar (5) to the Leg (3, 4).

# Step 2



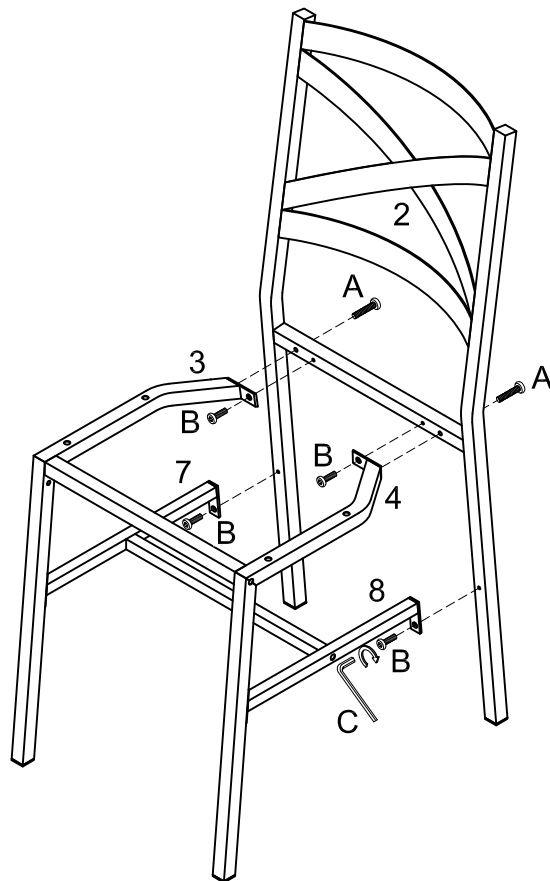
Use the Wrench (C), Bolt (A) to secure the Support Bar (6) to the cross bar (7,8).

## Step 3



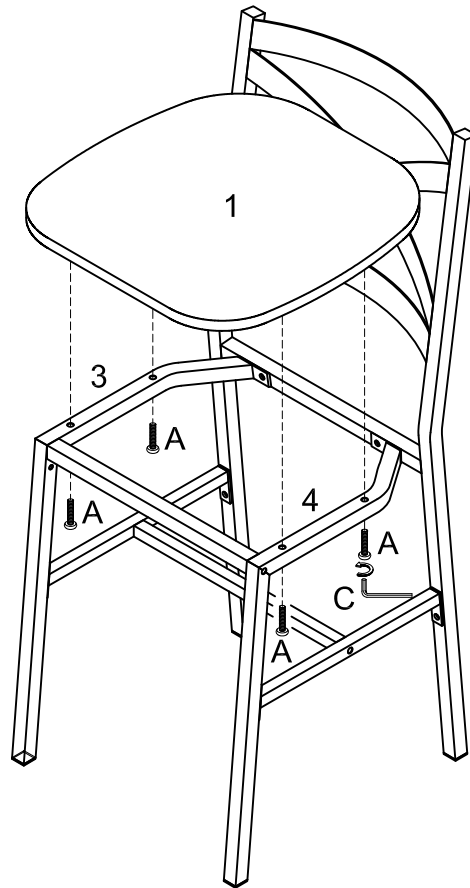
Use the Wrench (C), Bolt (B) to secure the Cross Bar (7, 8) to the Leg (3, 4).

## Step 4



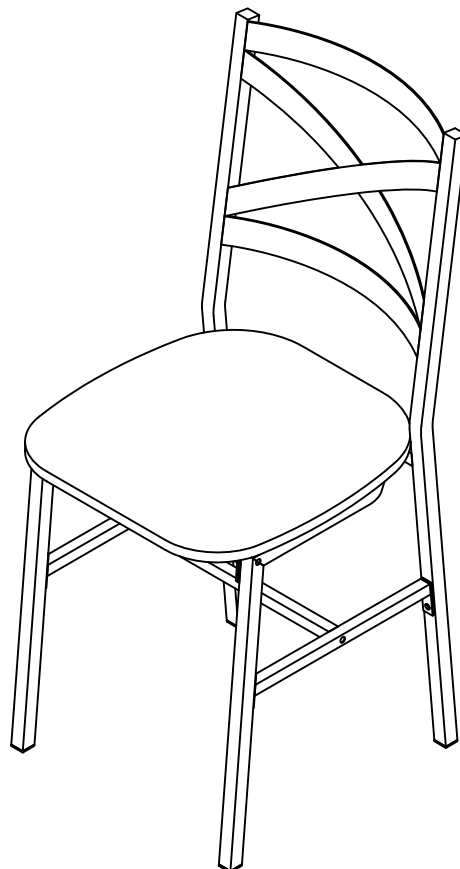
Use the Wrench (C), Bolt (A)(B) to secure the Legs (3,4) to the Back Frame (2) and Bolts (B), Wrench (C) to secure the Cross Bar (7,8) to the Back Frame (2) as per diagram.

## Step 5



Use the Wrench (C), Bolt (A) to secure the Seating Panel (1) to the Legs (3, 4).

## Step 6



Final Assembly