

# *ASSEMBLY INSTRUCTIONS*



***Dining Table***

# ASSEMBLY INSTRUCTIONS

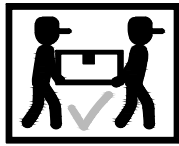
## ASSEMBLY TIPS:

1. Remove hardware from box and sort by size.
2. Please check to see that all hardware and parts are present prior to start of assembly.
3. Please follow attached instructions in the same sequence as numbered to assure fast & easy assembly.



### WARNING !

1. Don't attempt to repair or modify parts that are broken or defective. Please contact the store immediately.
2. This product is for home use only and not intended for commercial establishments.



ASSEMBLY TIME 30 MINUTES


## PARTS IDENTIFICATION

### B1 (BOX 1)

A. TOP  1PC

B. GLASS  1PC

### B2 (BOX 2)

C. LEG  4PCS

E. LAZY SUSAN  1PC

D. METAL CIRCLE  1PC

## HARDWARE PACKAGE

### Z-B2 (BOX 2)-HARDWARE PACK IS LOCATED

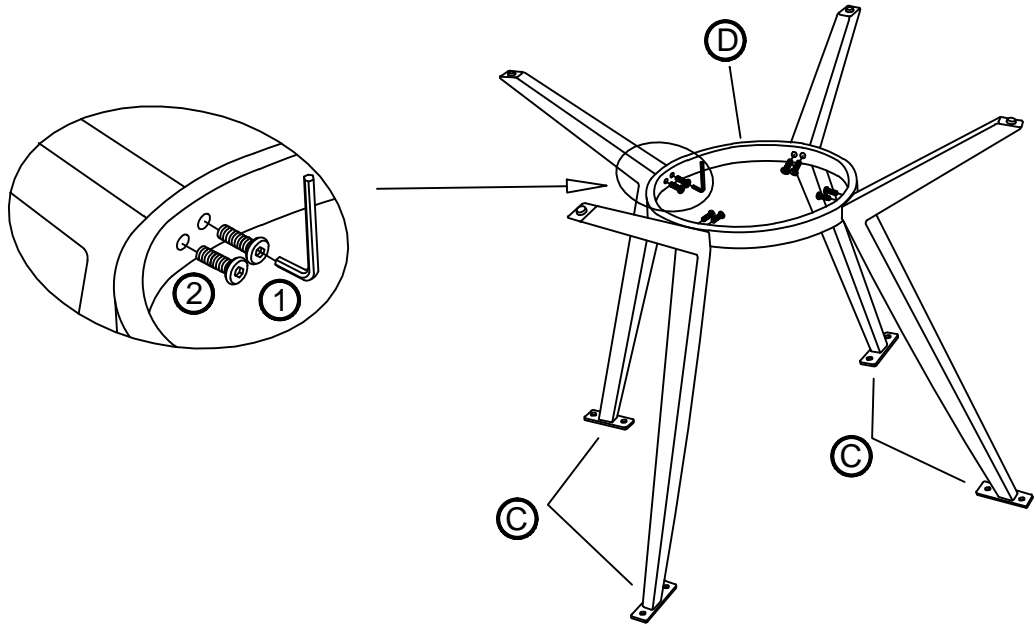
1. ALLEN WRENCH  1PC  
(Ø5/16"\*63mm-SILVER)

3. SHORT BOLT  8PCS  
(Ø5/16"\*15mm-SILVER)

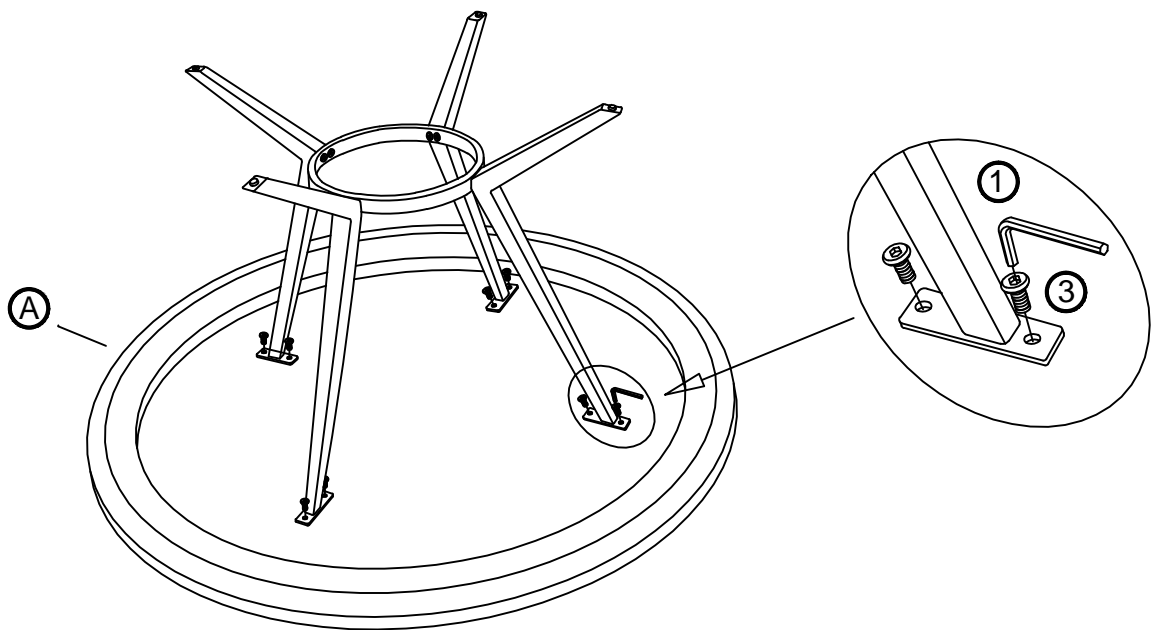
2. LONG BOLT  8PCS  
(Ø5/16"\*25mm-SILVER)

# ASSEMBLY INSTRUCTIONS

## STEP 1

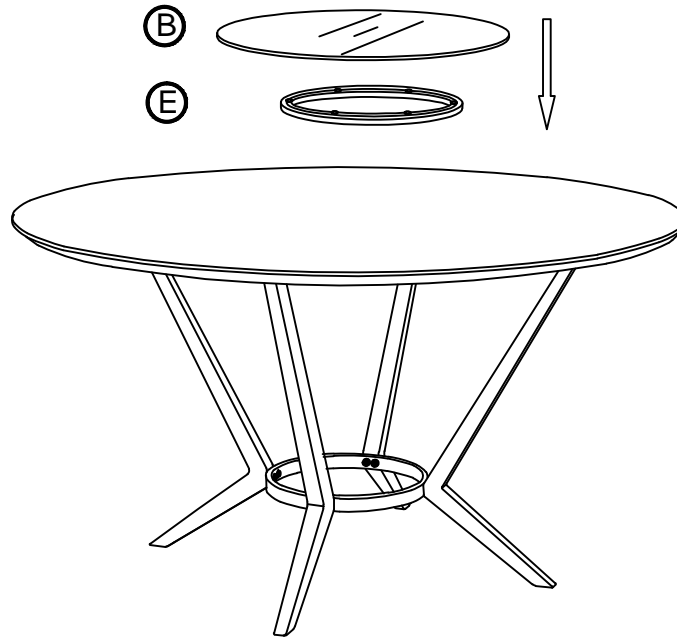


## STEP 2



# ASSEMBLY INSTRUCTIONS

## STEP 3



## STEP 4 COMPLETE

