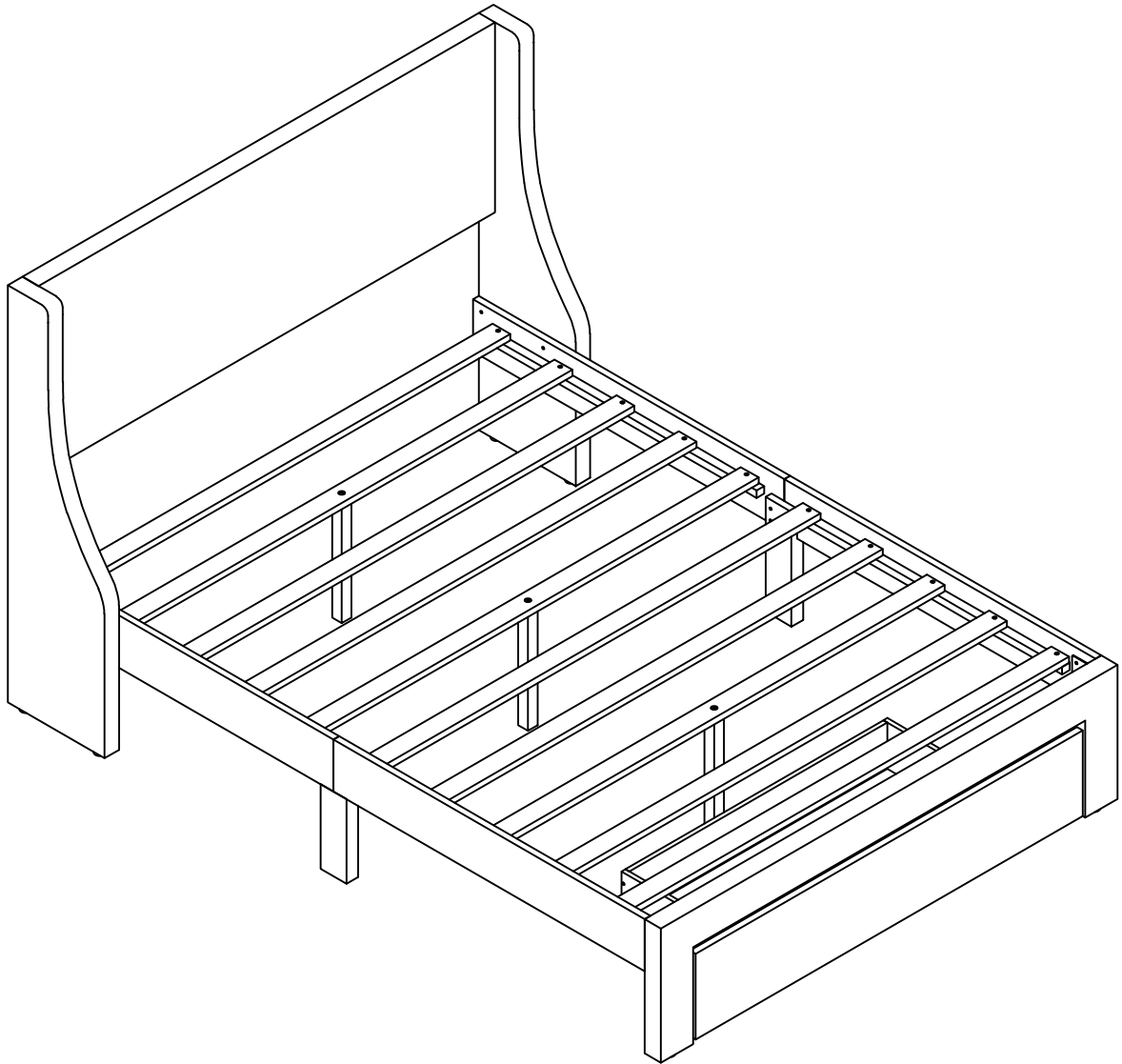


ASSEMBLY INSTRUCTION

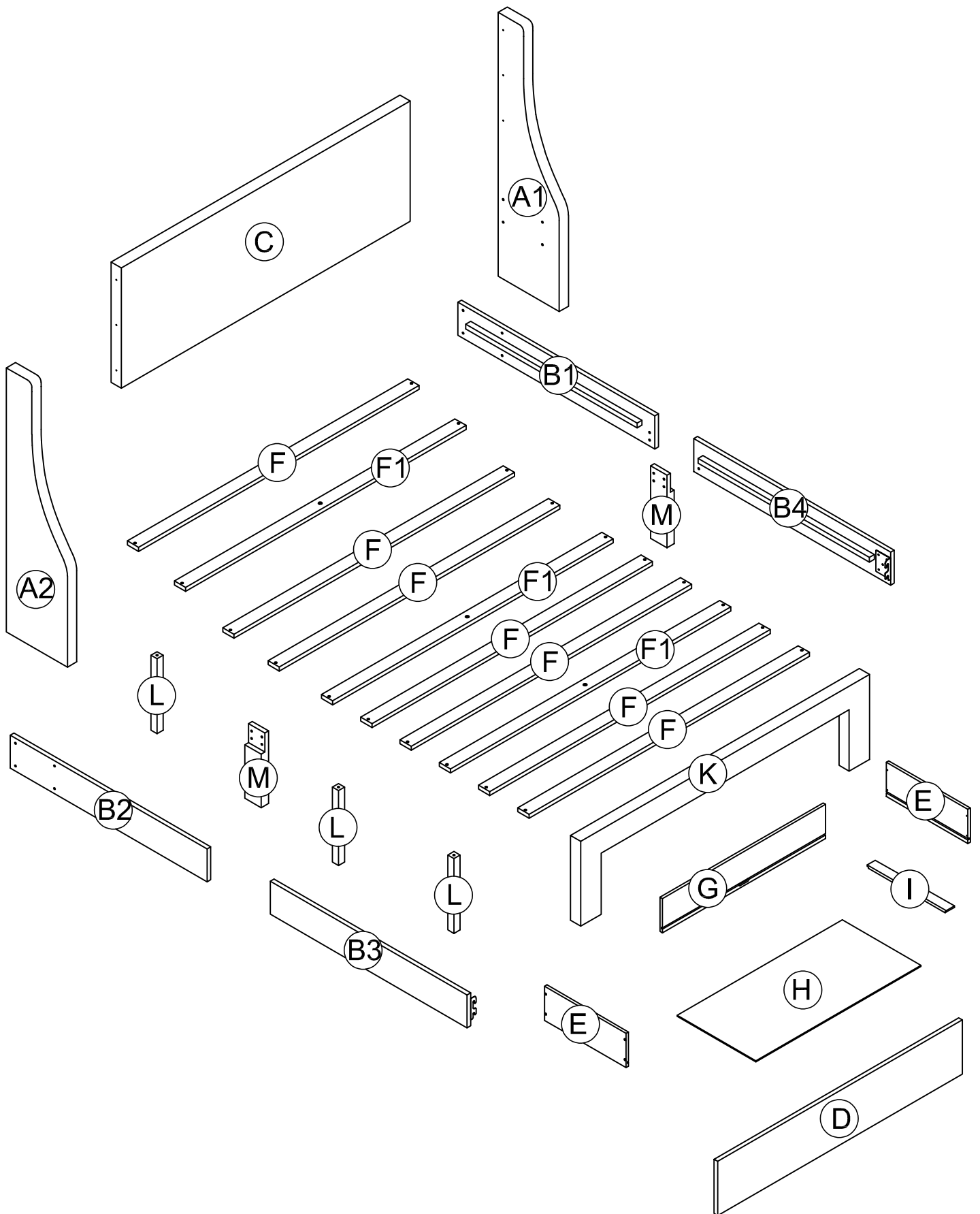
SKU CODE: (WF299263)





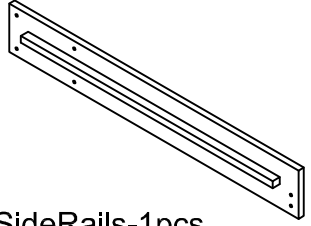
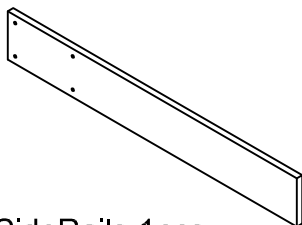
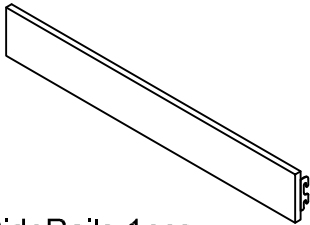

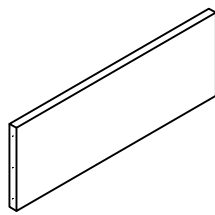
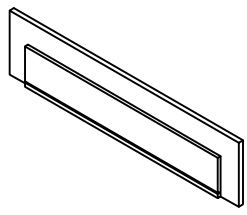
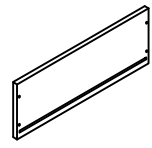
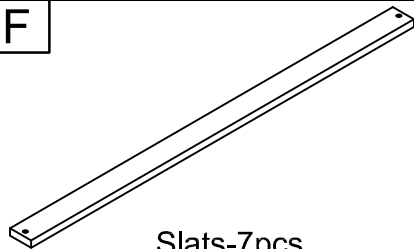
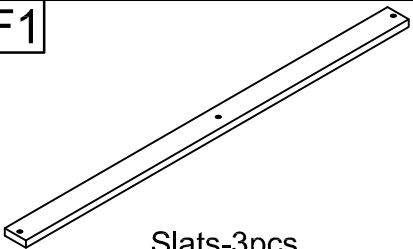
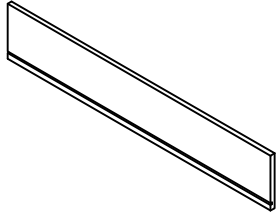
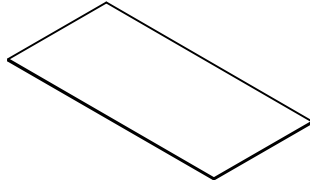
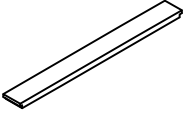
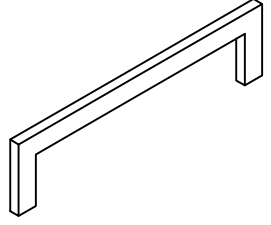
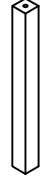
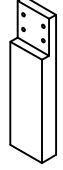
! SAFETY WARNINGS !

1. This bed is designed for use QUEEN Mattress 80 inch Long and 60 inch Wide
2. Always use the recommended size mattresses or mattress supports, or both, to help prevent the likelihood of entrapment or falls.
3. Do not allow horseplay on or under the bed and prohibit jumping on the bed
4. Do not use substitute parts. Contact the manufacturer or dealer for replacement parts.
5. Keep these instructions for future reference

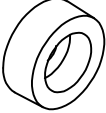
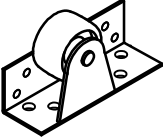


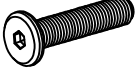

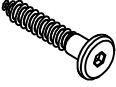

ASSEMBLY INSTRUCTION

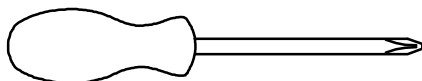


Part List (WF299263)

<p>A1</p>  <p>Right Arm-1pcs</p>	<p>A2</p>  <p>Left Arm-1pcs</p>	<p>B1</p>  <p>SideRails-1pcs</p>
<p>B2</p>  <p>SideRails-1pcs</p>	<p>B3</p>  <p>SideRails-1pcs</p>	<p>B4</p>  <p>SideRails-1pcs</p>
<p>C</p>  <p>Head Board-1pcs</p>	<p>D</p>  <p>Drawers-Font Panel-1pcs</p>	<p>E</p>  <p>Drawers-Side Panel-2pcs</p>
<p>F</p>  <p>Slats-7pcs</p>	<p>F1</p>  <p>Slats-3pcs</p>	<p>G</p>  <p>Drawers-Back Panel-1pcs</p>
<p>H</p>  <p>Drawers-Bottom Panel-1pcs</p>	<p>I</p>  <p>Drawers-Support Panel-1pcs</p>	<p>K</p>  <p>Foot Board-1pcs</p>
<p>L</p>  <p>Legs Support Slat-3pcs</p>	<p>M</p>  <p>Legs SideRails-2pcs</p>	

Hardware List (WF299263)


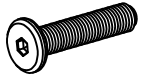
<p>1</p>  <p>Plastic Feet (Ø32x16) 6pcs</p>	<p>2</p>  <p>Wheels 4pcs</p>	<p>3</p>  <p>M4 x 15 mm Wood Screw 8pcs</p>
<p>4</p>  <p>M4 x 30 mm Wood Screws 28pcs</p>	<p>5</p>  <p>Ø1/4" x 25mm Hex-Head bolts 9pcs</p>	<p>6</p>  <p>Ø1/4" x 35mm Hex-Head bolts 16pcs</p>
<p>7</p>  <p>Ø1/4" x 40mm Hex-Head bolts 10pcs</p>	<p>8</p>  <p>Allen Key 1pcs</p>	

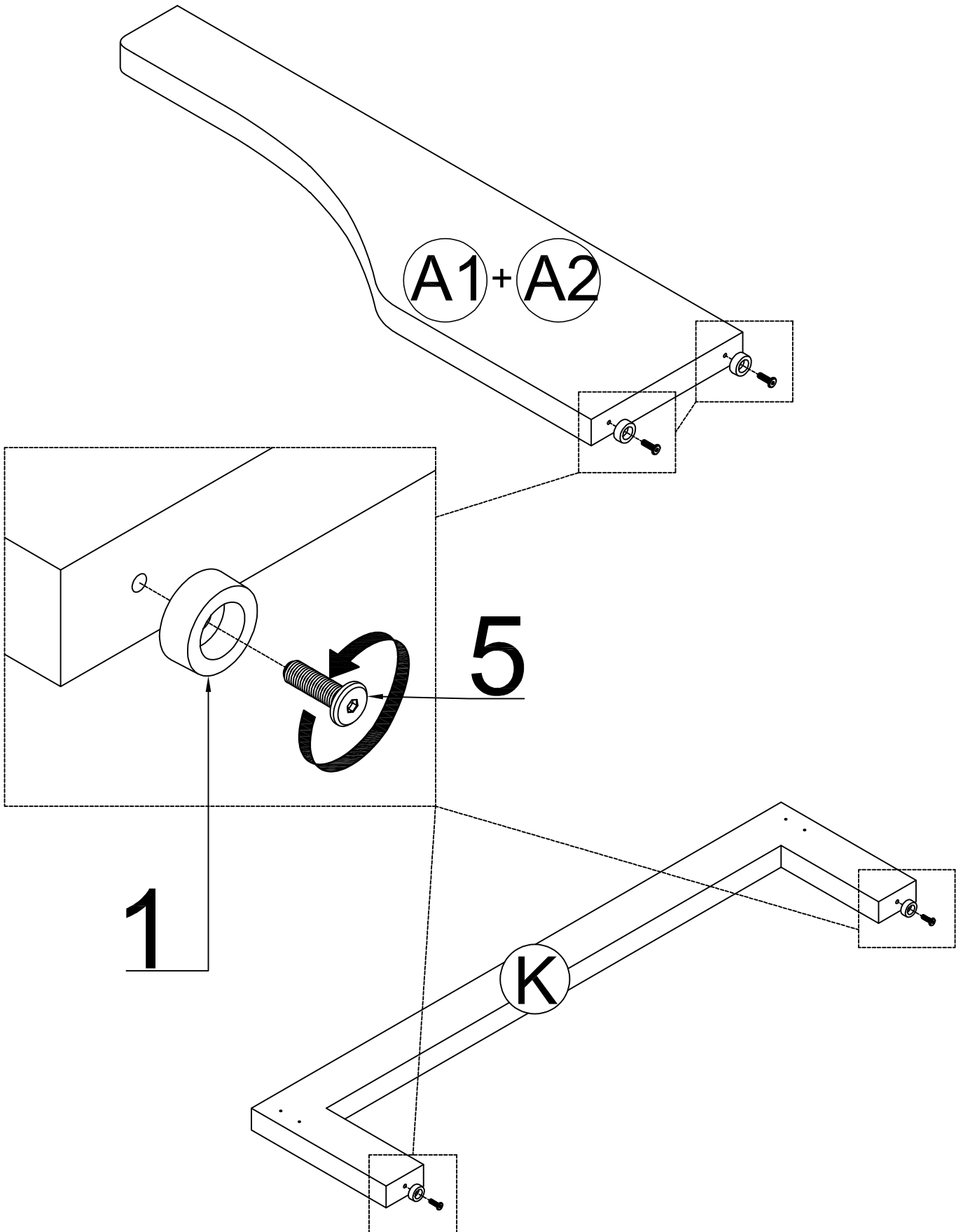


Assembly Tools Required (Not Included)

STEP 1: Following below illustration

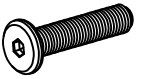
Assembly Plastic Feet(#1) With Headboard and Footboard use HW #2

1		5	
6pcs		6pcs	

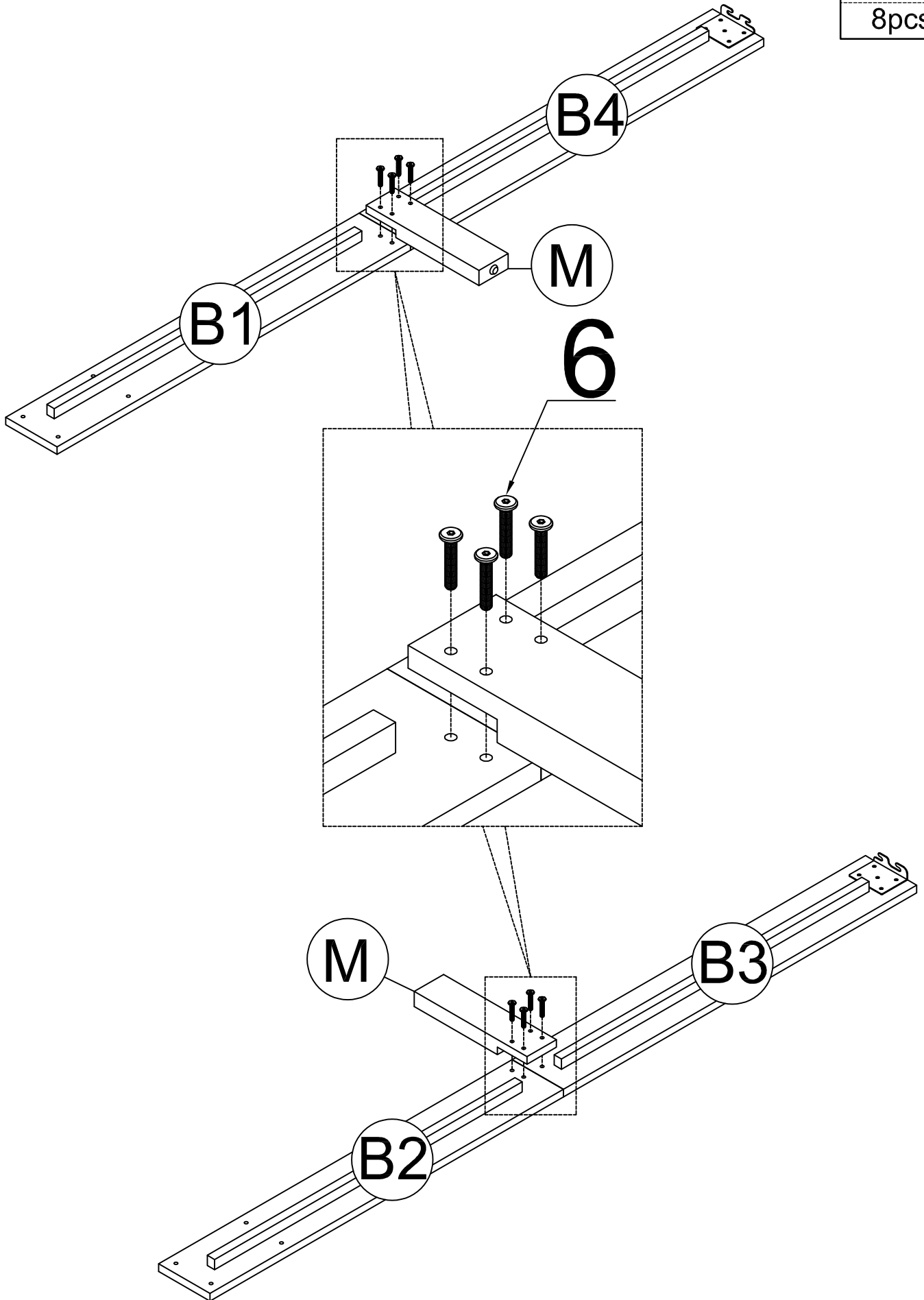


STEP 2: Following below illustration.

6

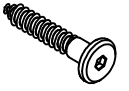


8pcs



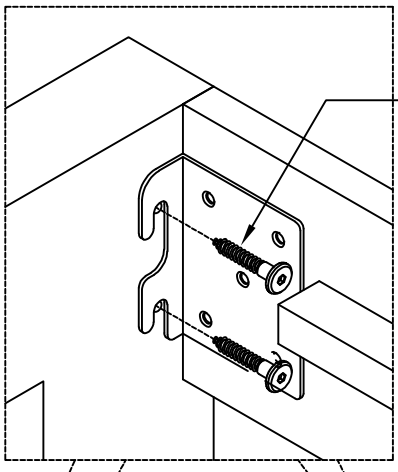
STEP 3: Following below illustration

7

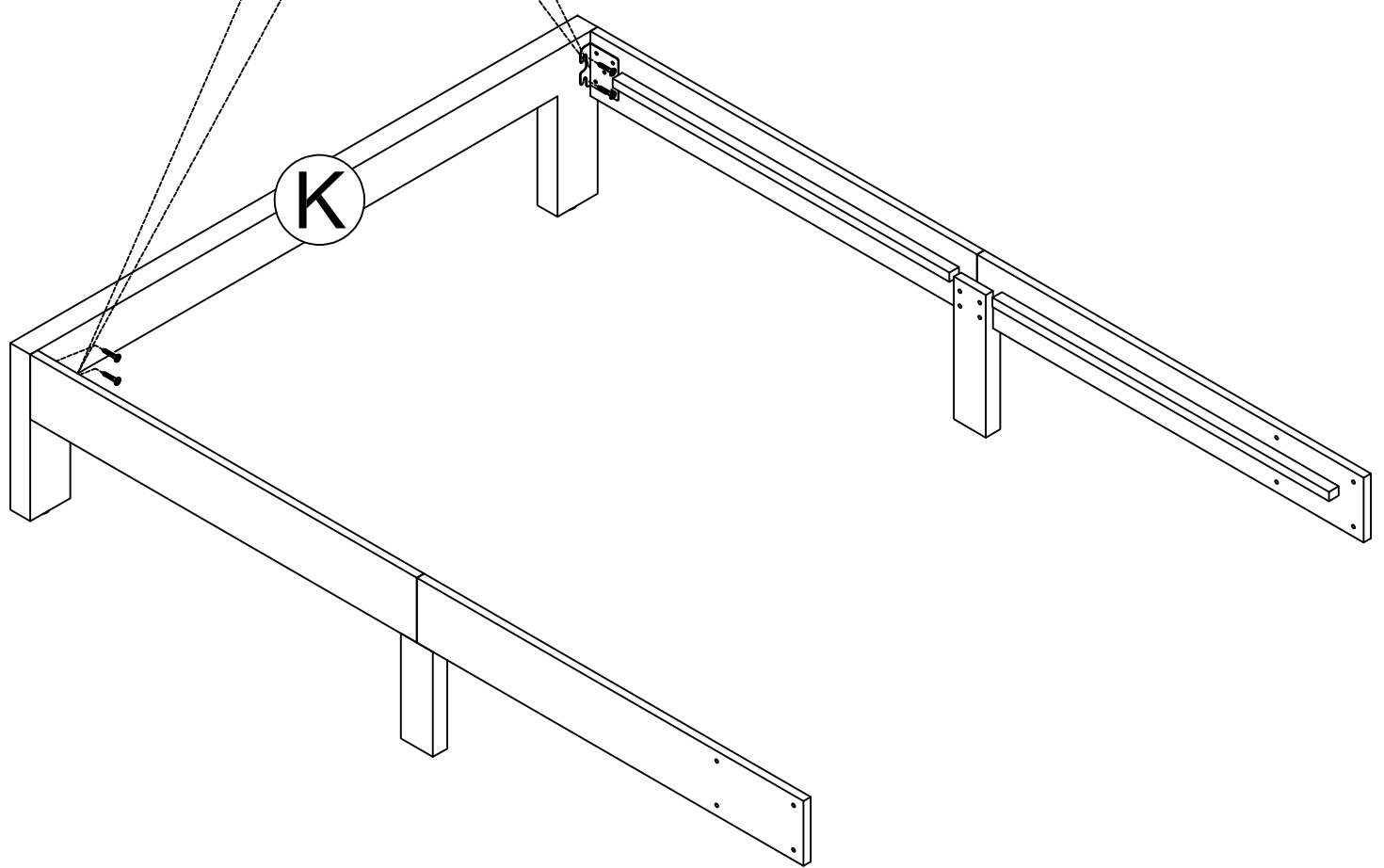


4pcs

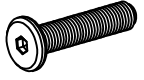
7

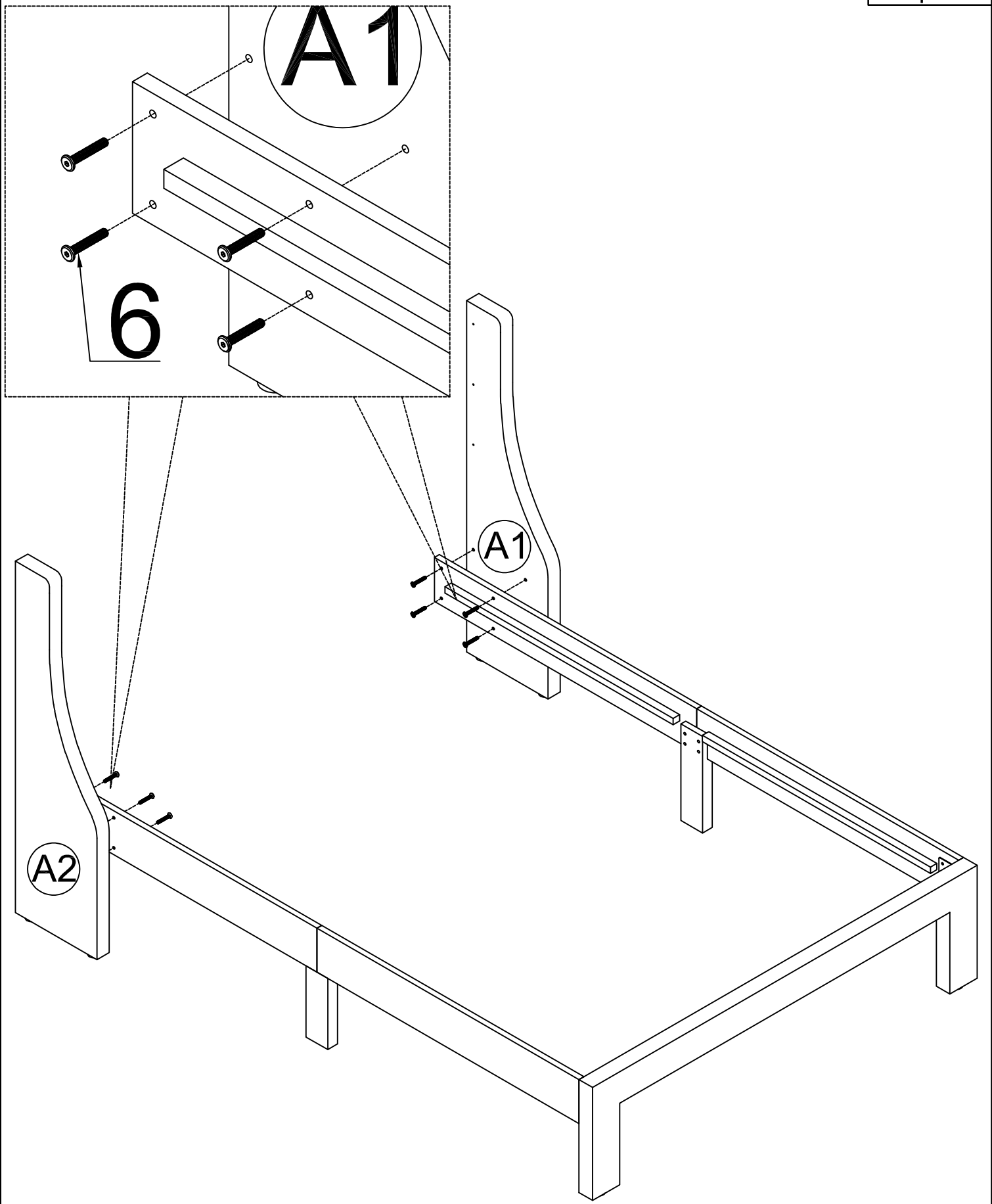


K



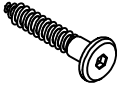
STEP 4: Following below illustration:

6

8pcs

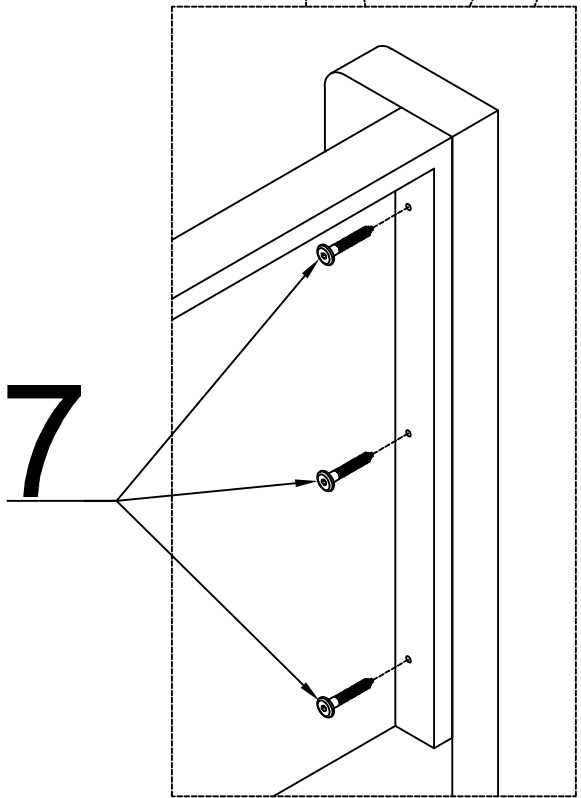
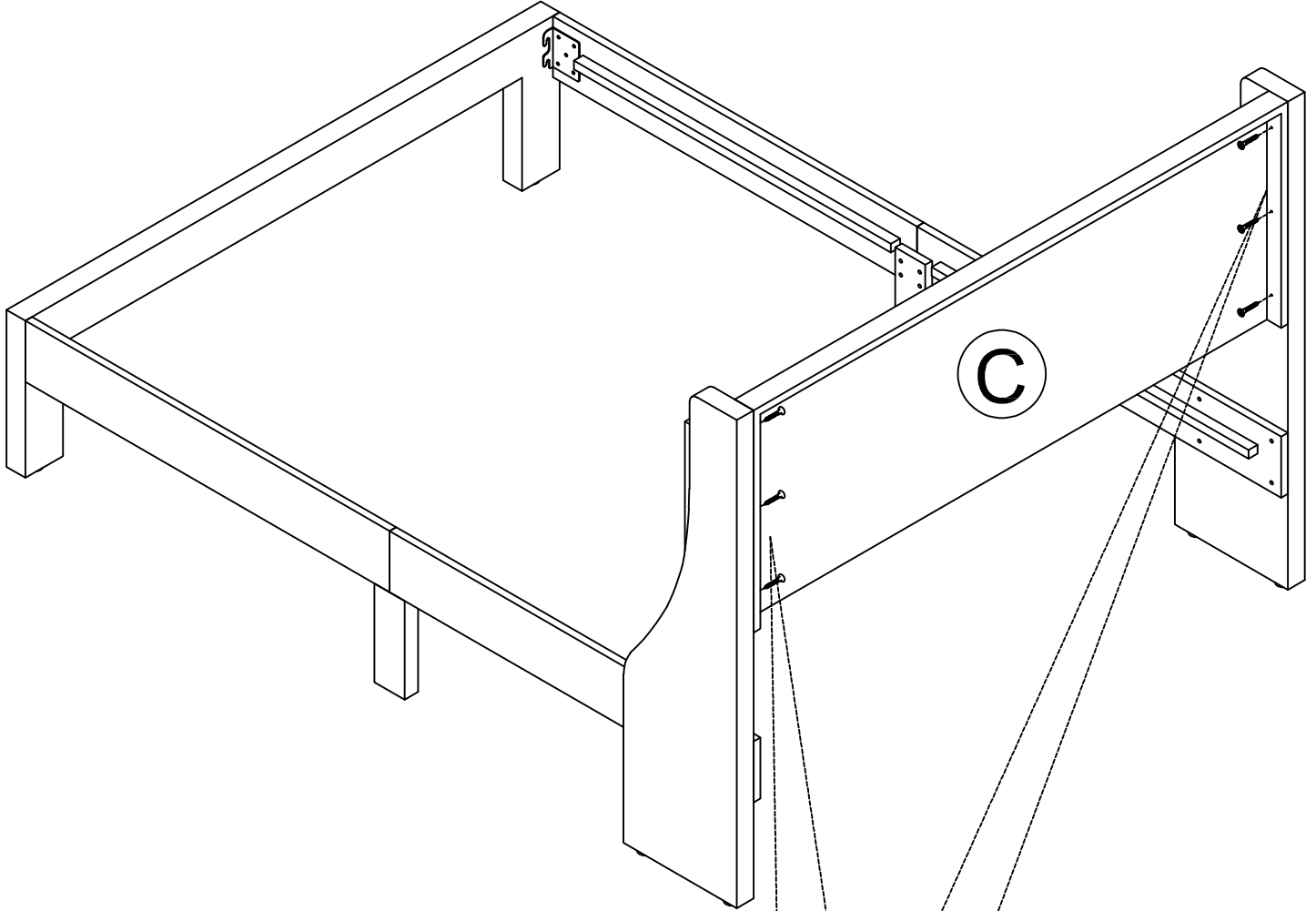


STEP 5: Following below illustration:

7

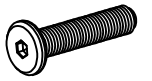


6pcs



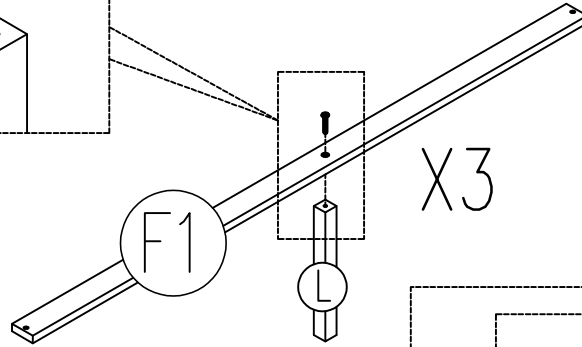
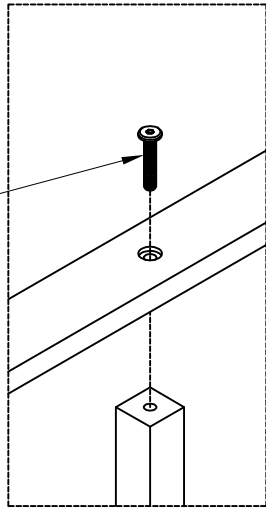
STEP 6: Following below illustration:

5



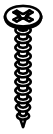
3pcs

5

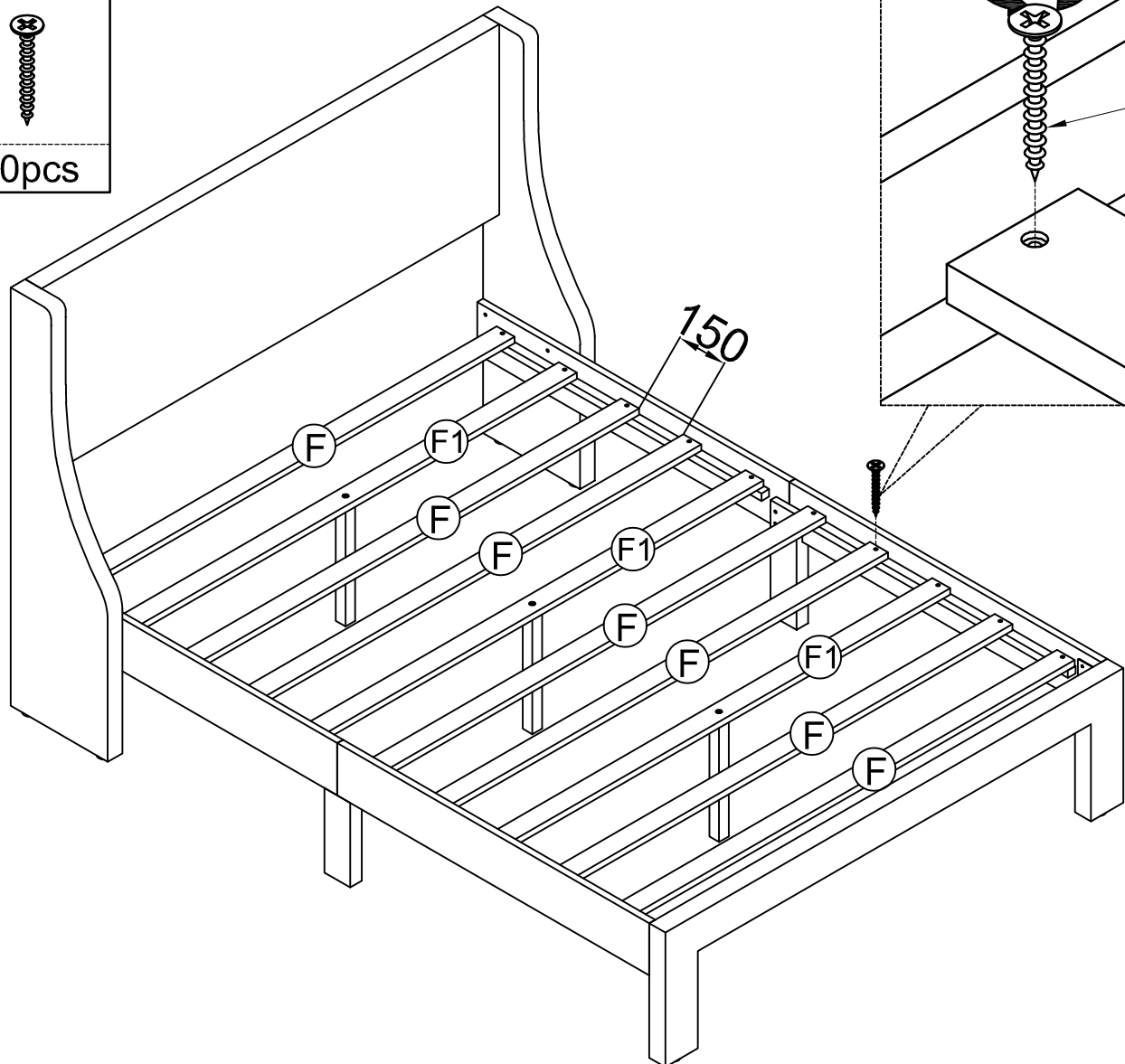


X3

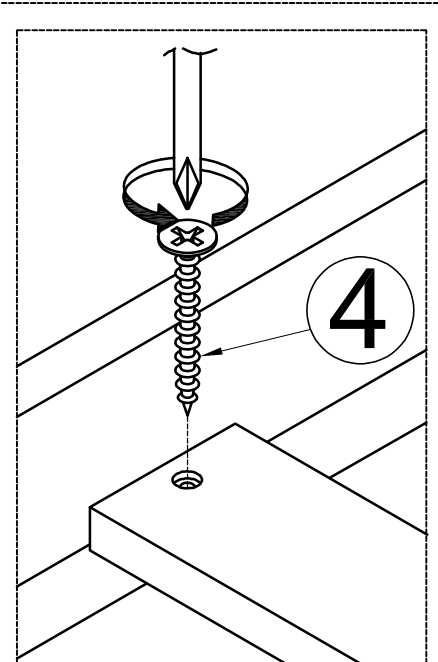
4



20pcs




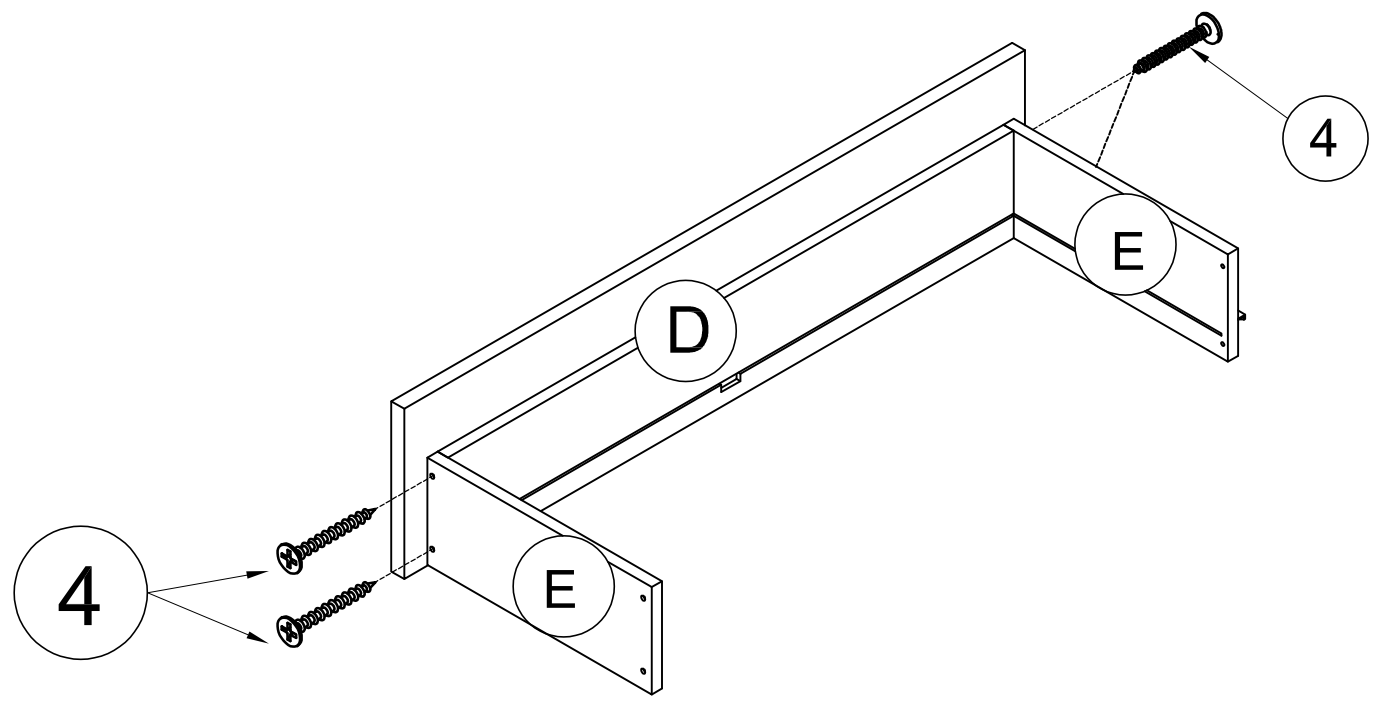
150



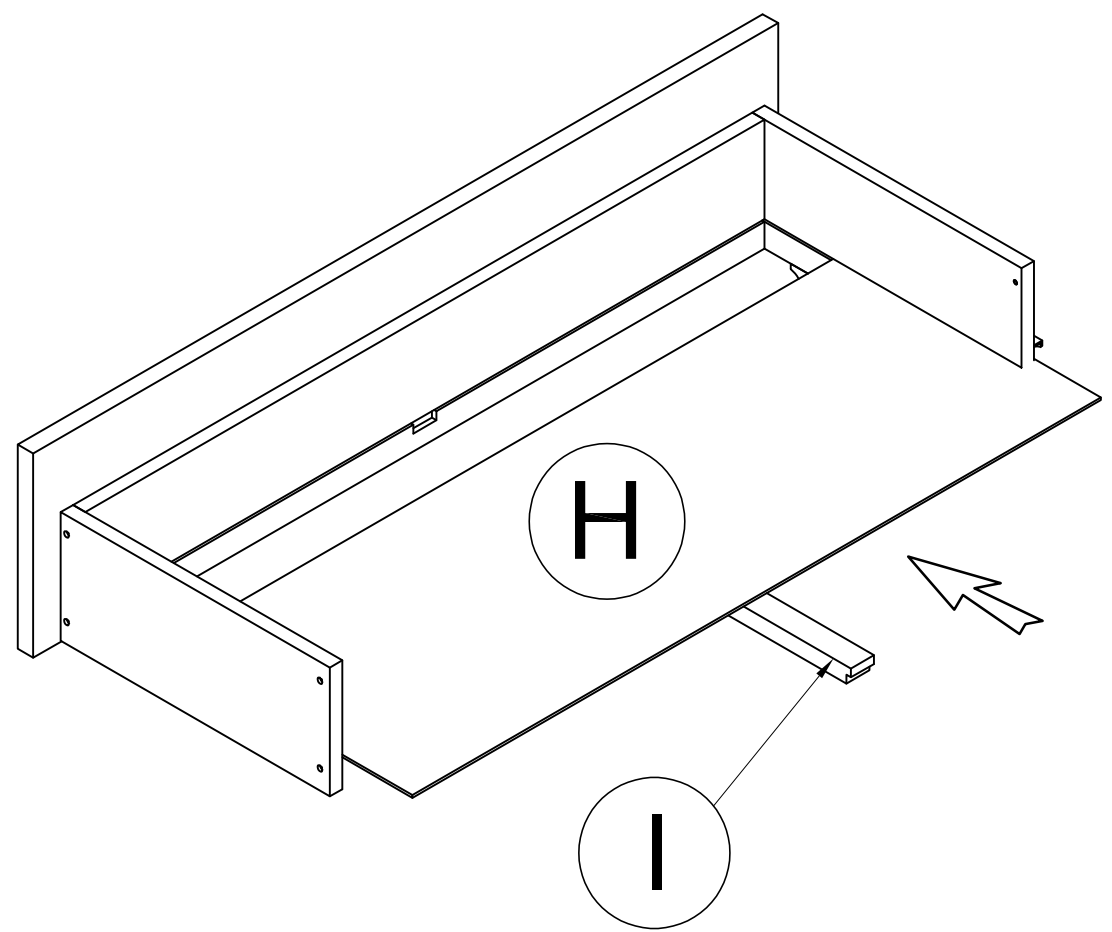
4

STEP 7-1: Following below illustration:


4	
4pcs	

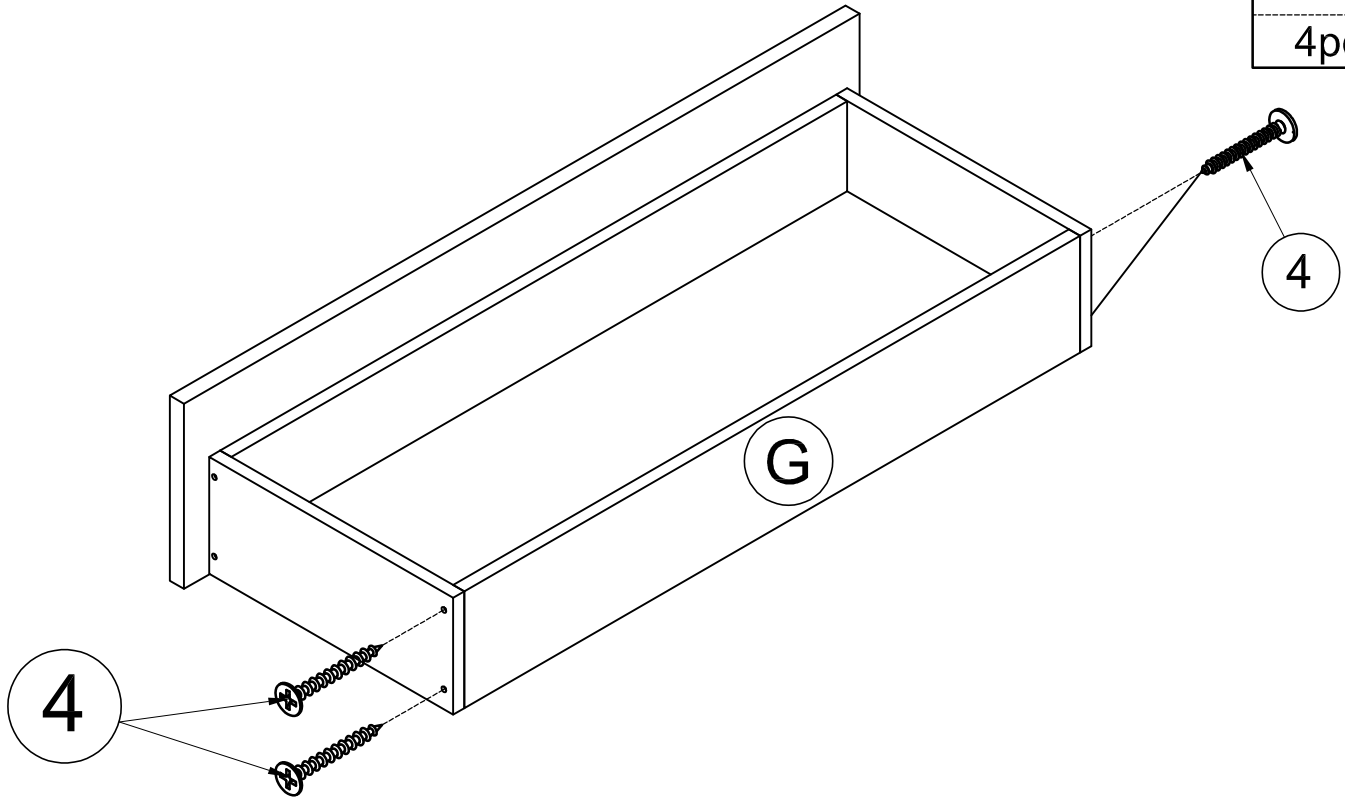


STEP 7-2: Following below illustration:




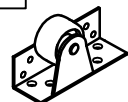
STEP 7-3: Following below illustration:

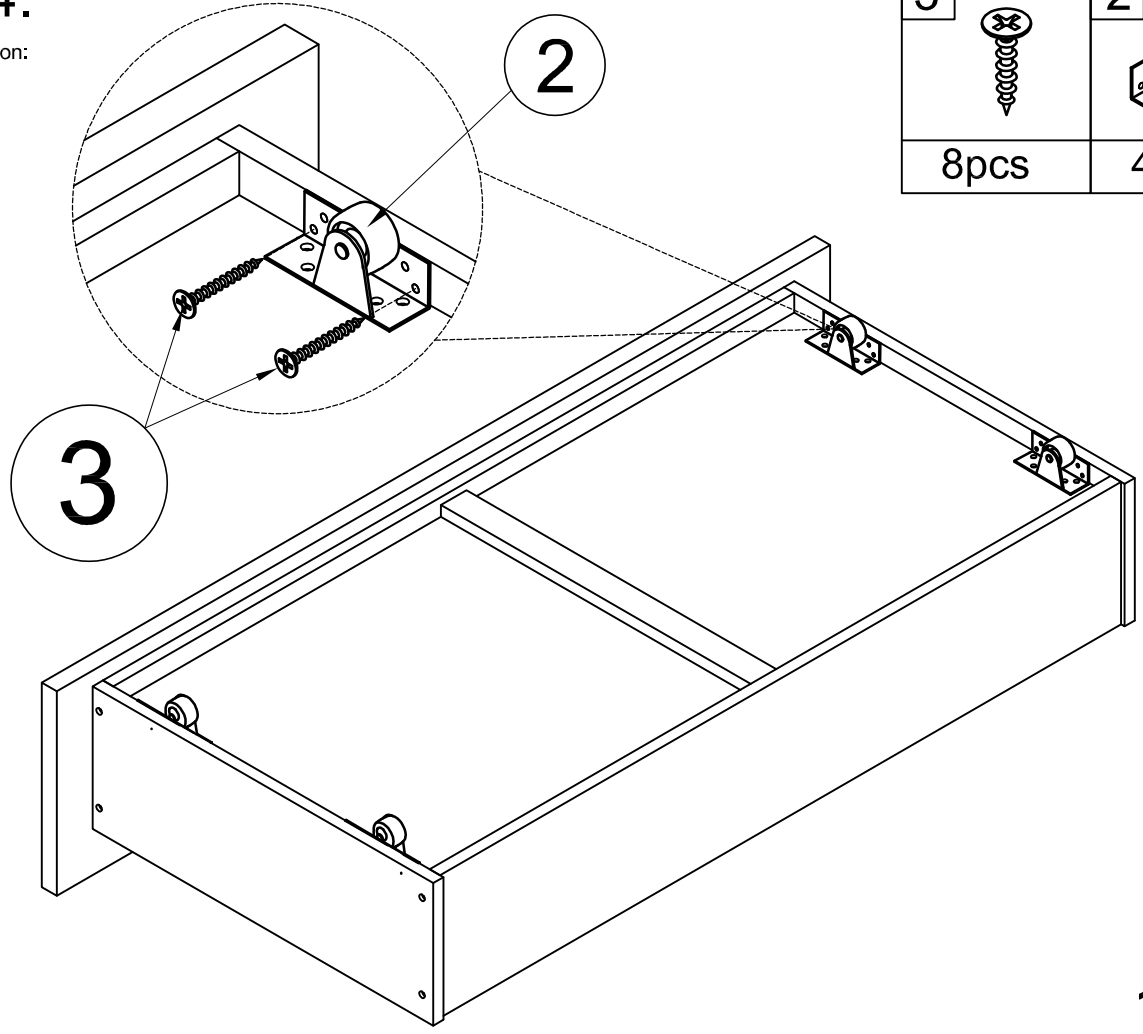
4	
4pcs	



STEP 7-4:

Following below illustration:

3		2	
8pcs		4pcs	



FINISH

