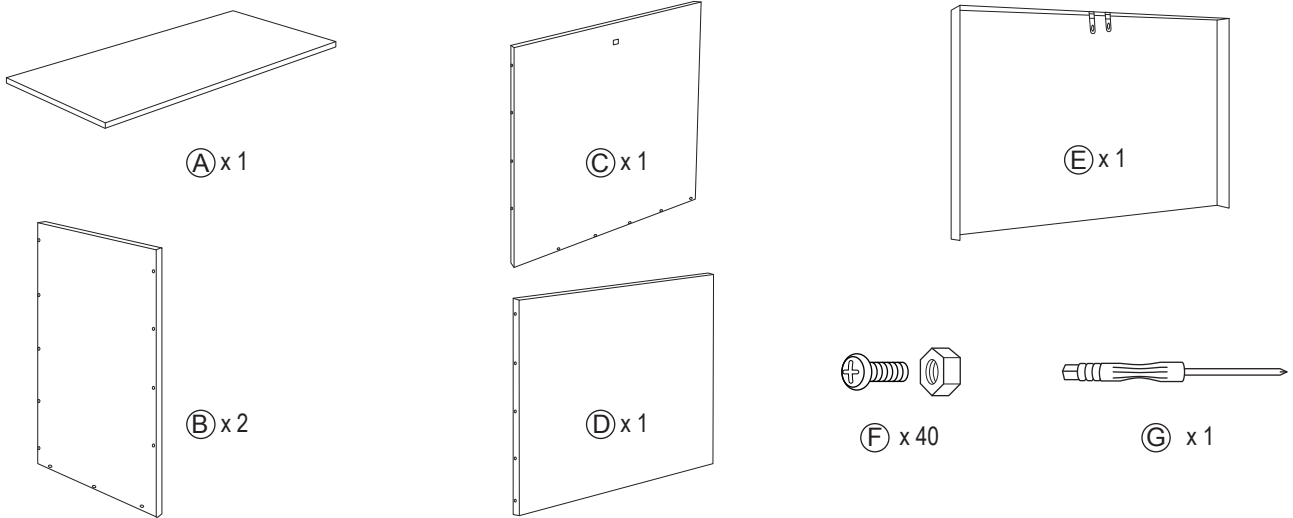
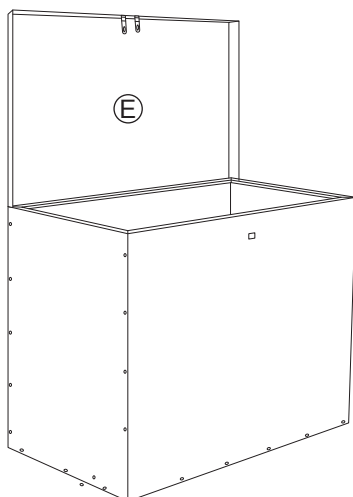
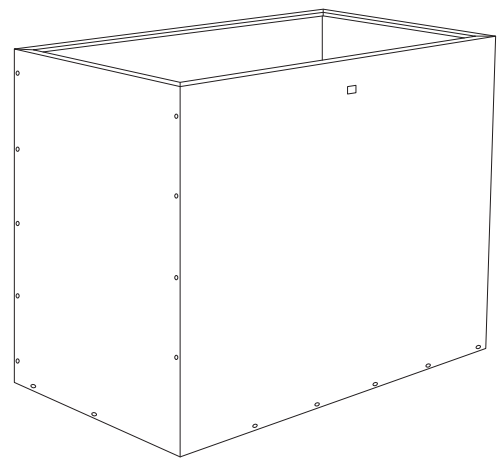
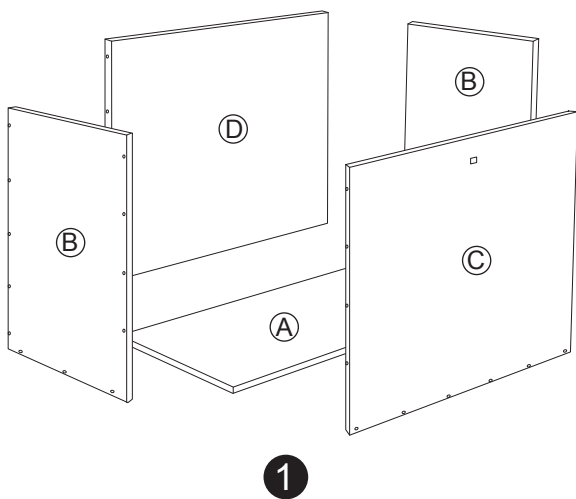


Metal single compartment storage box

Product accessories



Schematic diagram of installation instructions



INSTALLATION INSTRUCTIONS:

Use G to lock the holes in F and A,B,C,D and E respectively!